



US00D933795S

(12) **United States Design Patent**
Osher

(10) **Patent No.:** **US D933,795 S**
(45) **Date of Patent:** **** Oct. 19, 2021**

(54) **APRON SINK**

(71) Applicant: **James T. Osher**, Marathon, FL (US)

(72) Inventor: **James T. Osher**, Marathon, FL (US)

(**) Term: **15 Years**

(21) Appl. No.: **29/742,096**

(22) Filed: **Dec. 17, 2019**

(51) **LOC (13) Cl.** **23-02**

(52) **U.S. Cl.**
USPC **D23/290**

(58) **Field of Classification Search**
USPC D23/284, 286-287, 290, 292, 293.1, 308
CPC A47K 1/04; A47B 77/06
See application file for complete search history.

(56) **References Cited**

U.S. PATENT DOCUMENTS

D648,838 S	*	11/2011	Booth	D23/290
D869,617 S	*	12/2019	Osher	D23/284
D884,844 S	*	5/2020	Osher	D23/284
D892,989 S	*	8/2020	Osher	D23/284
D914,170 S	*	3/2021	Li	D23/290
D918,352 S	*	5/2021	Li	D23/290

* cited by examiner

Primary Examiner — Robert A Delehanty

(57) **CLAIM**

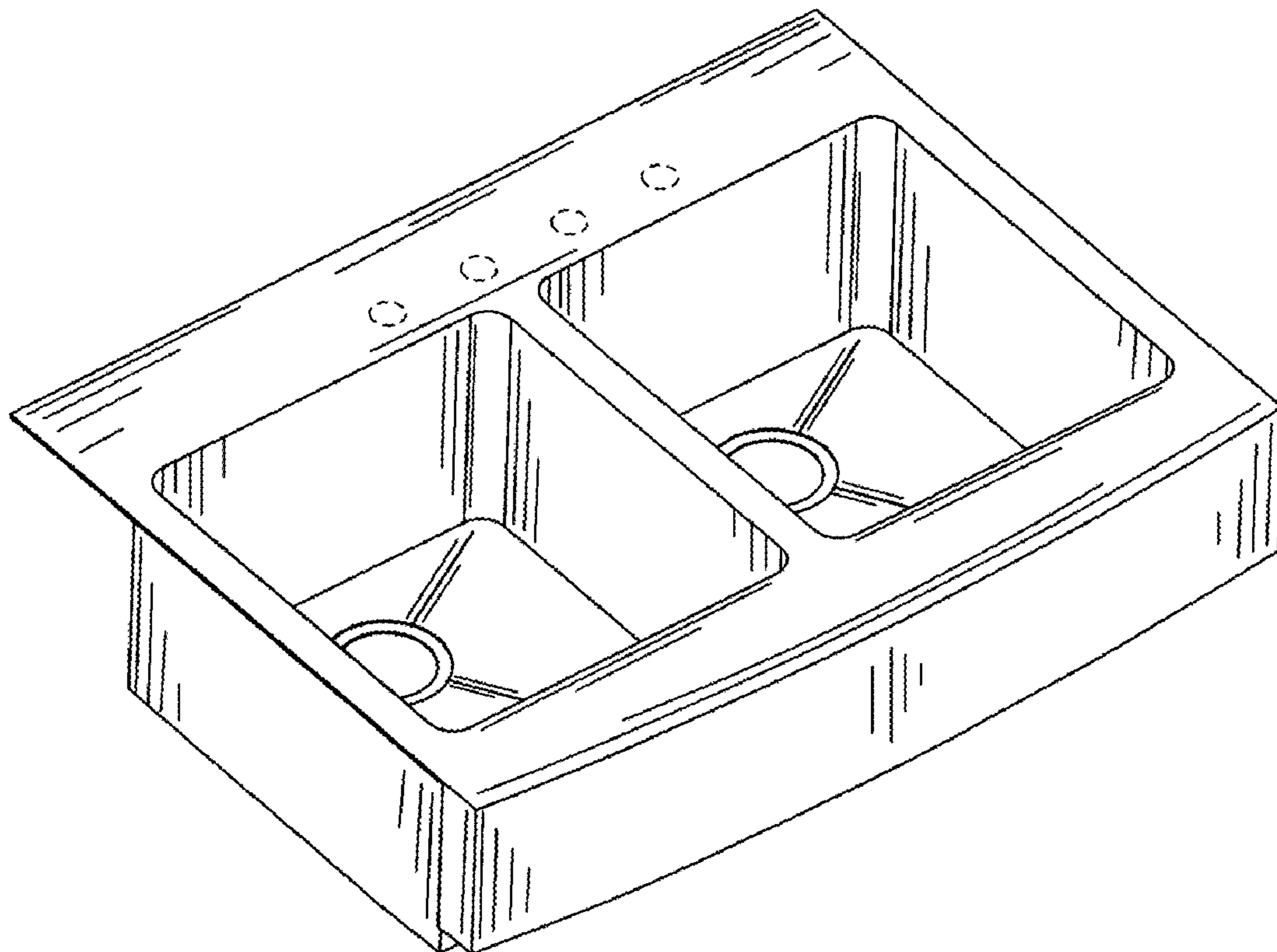
The ornamental design for a apron sink, as shown and described.

DESCRIPTION

FIG. 1 is a perspective view of an apron sink;
 FIG. 2 is an alternate perspective view thereof;
 FIG. 3 is a frontal view thereof;
 FIG. 4 is a rear view thereof;
 FIG. 5 is an overhead view thereof;
 FIG. 6 is a side perspective view thereof;
 FIG. 7 is a perspective view of the apron sink in an exemplary environment;
 FIG. 8 is a perspective view of an apron sink;
 FIG. 9 is an alternate perspective view thereof;
 FIG. 10 is a frontal view thereof;
 FIG. 11 is a rear view thereof;
 FIG. 12 is an overhead view thereof;
 FIG. 13 is a side perspective view thereof;
 FIG. 14 is a perspective view of the apron sink in an exemplary environment;
 FIG. 15 is a perspective view of an apron sink;
 FIG. 16 is an alternate perspective view thereof;
 FIG. 17 is a frontal view thereof;
 FIG. 18 is a rear view thereof;
 FIG. 19 is an overhead view thereof;
 FIG. 20 is a side perspective view thereof; and,
 FIG. 21 is a perspective view of the apron sink in an exemplary environment.

The broken lines shown represent unclaimed subject matter and form no part of the claimed design.

1 Claim, 12 Drawing Sheets



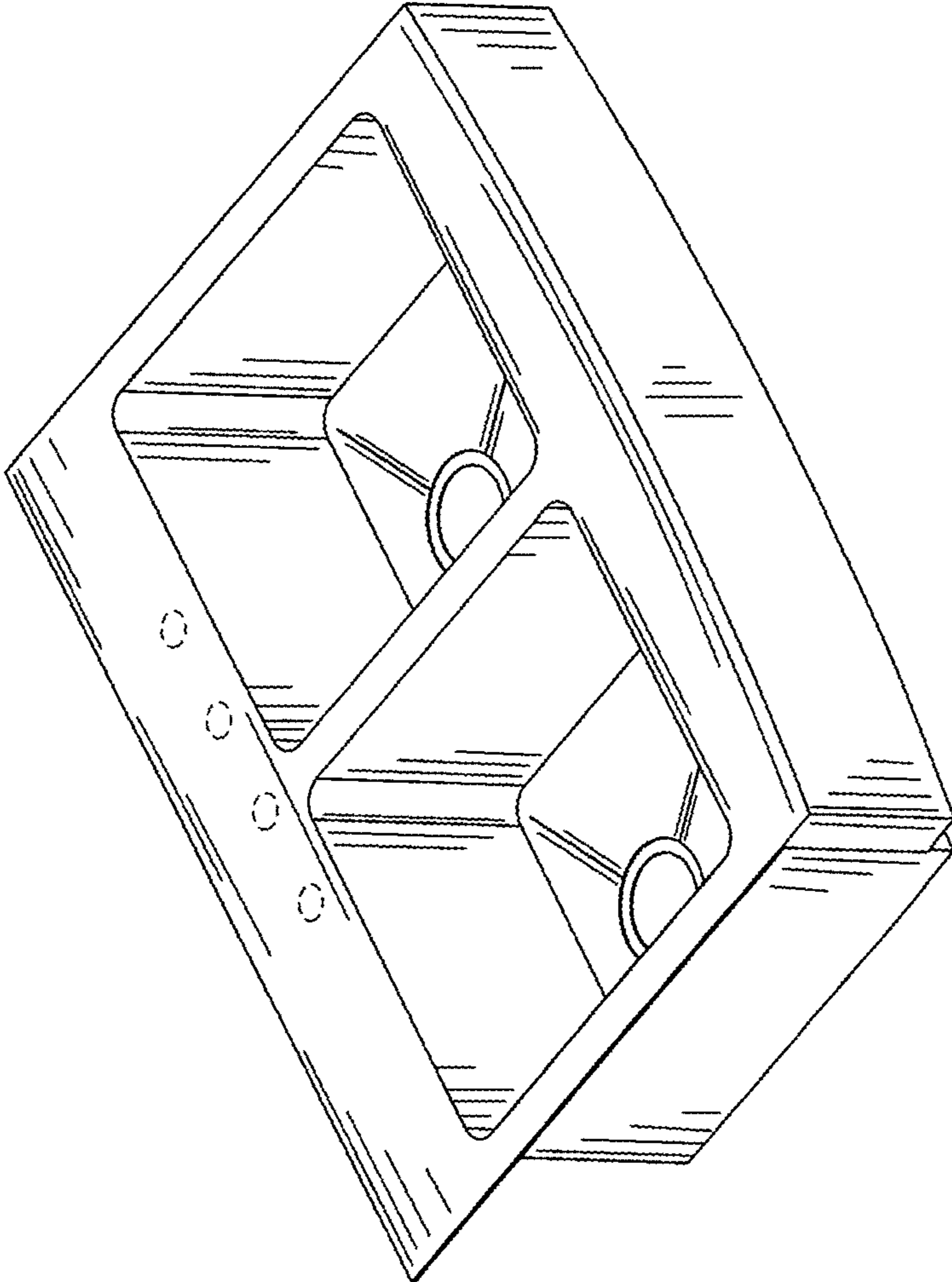


FIG. 1

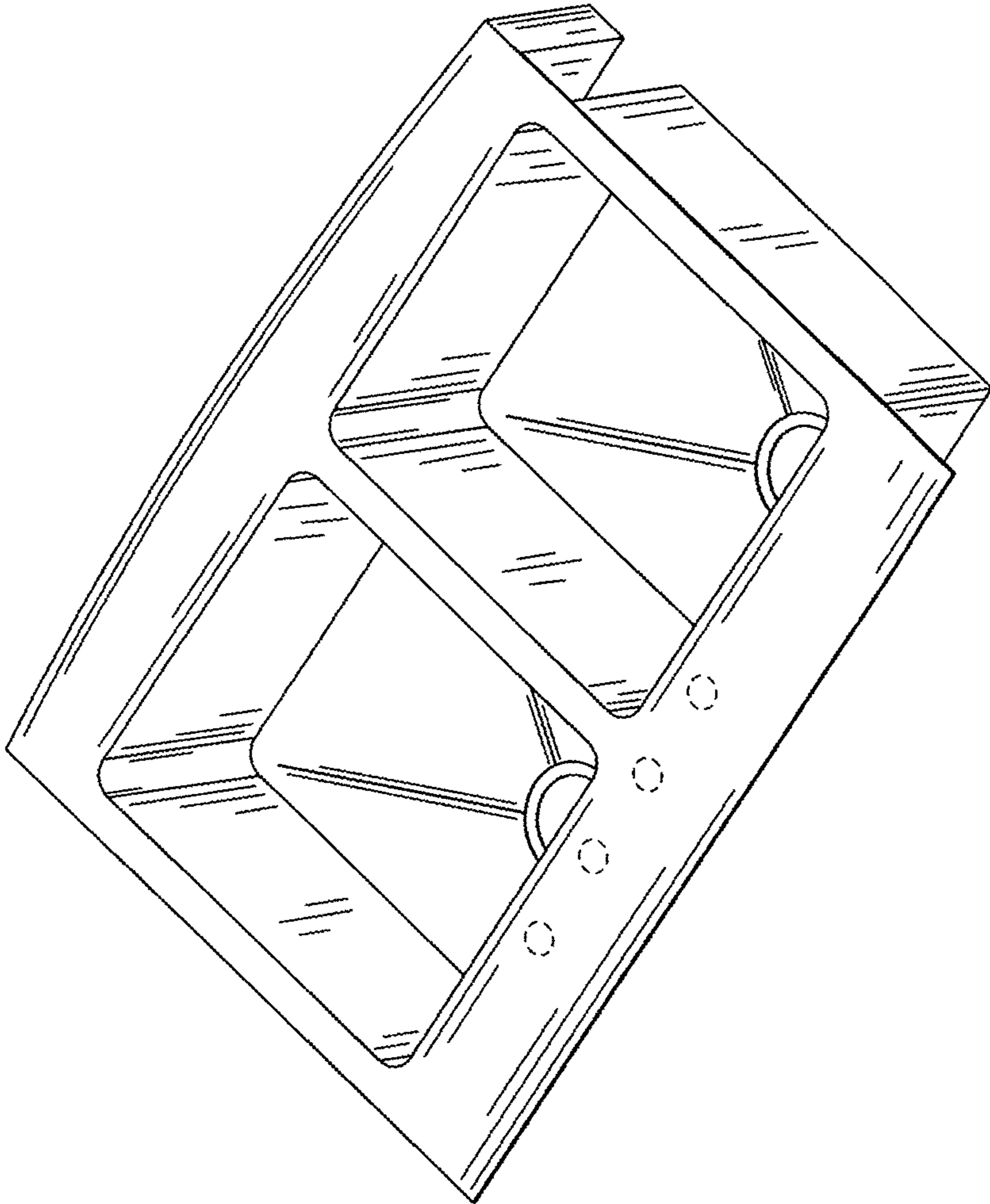


FIG. 2

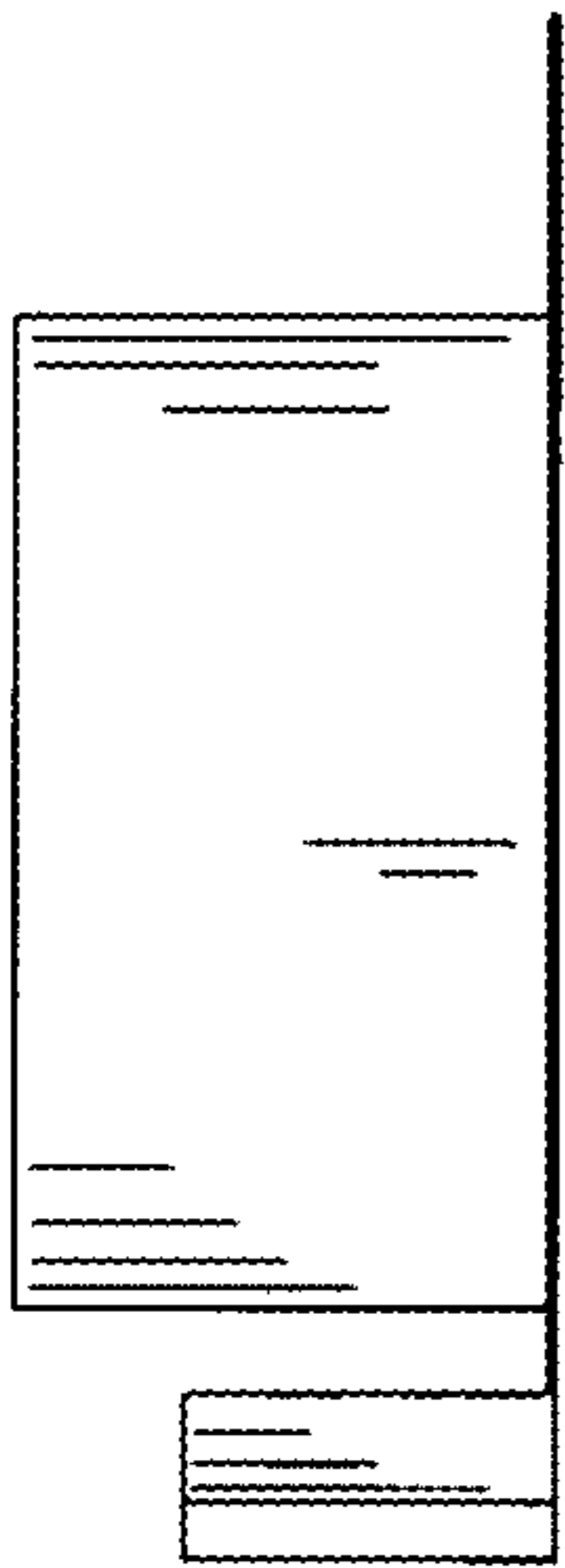


FIG. 6

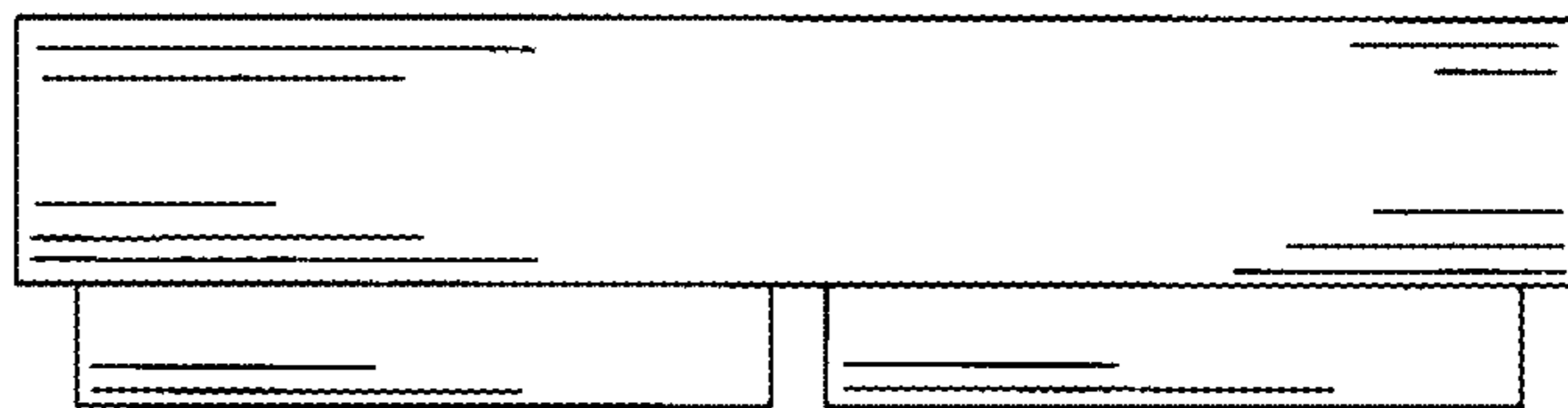


FIG. 3

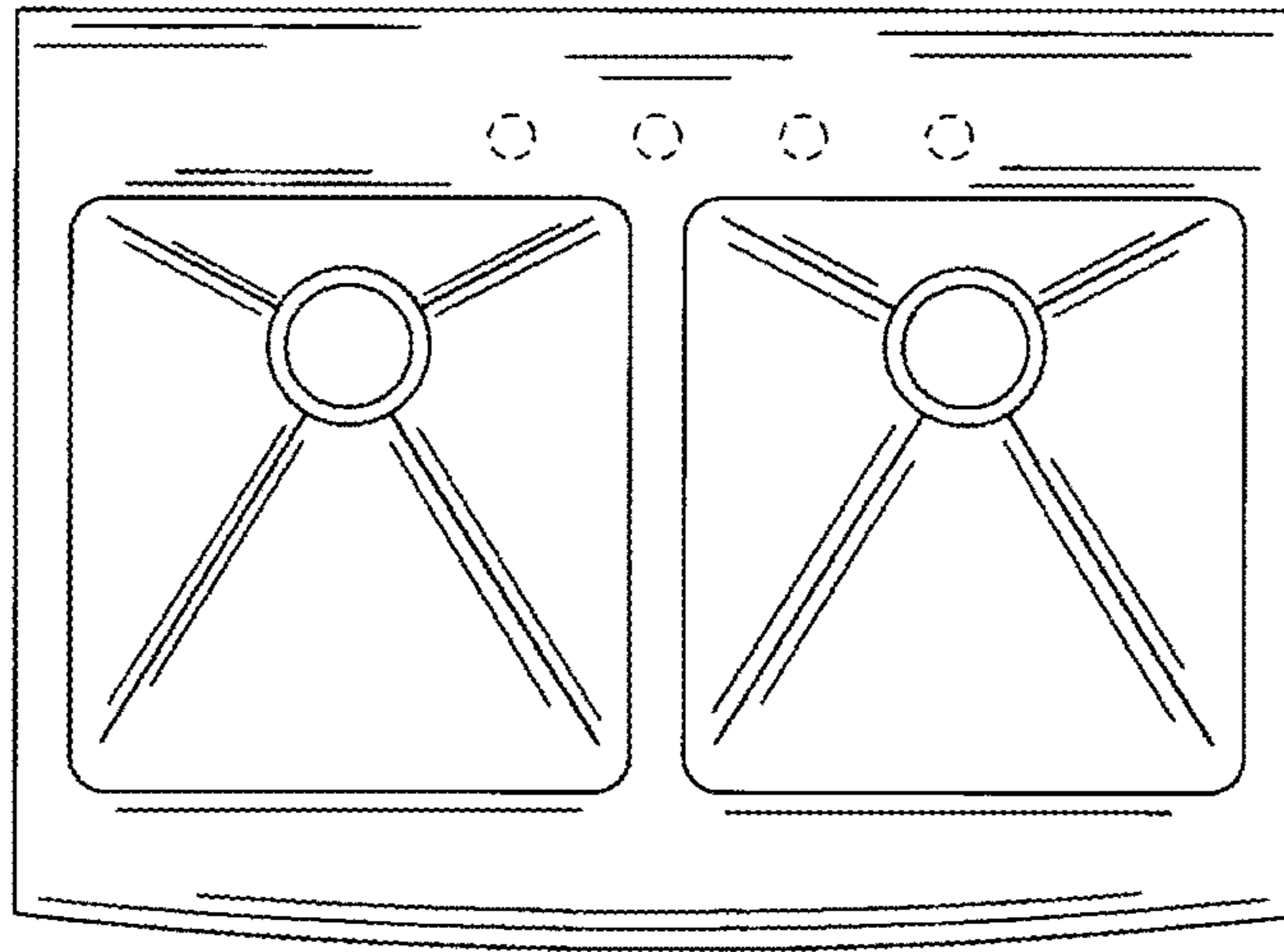


FIG. 5

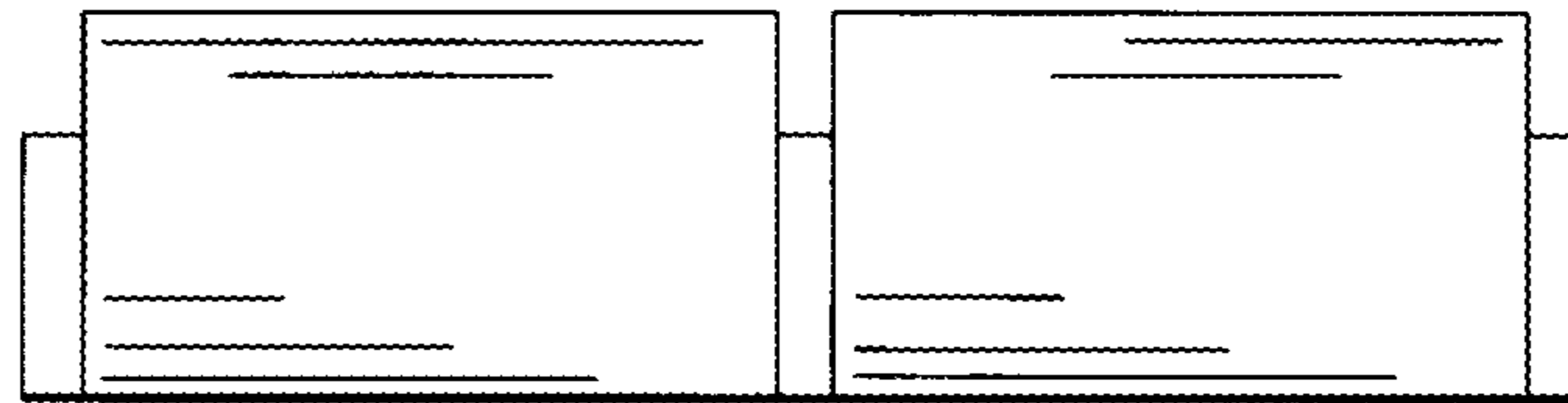


FIG. 4

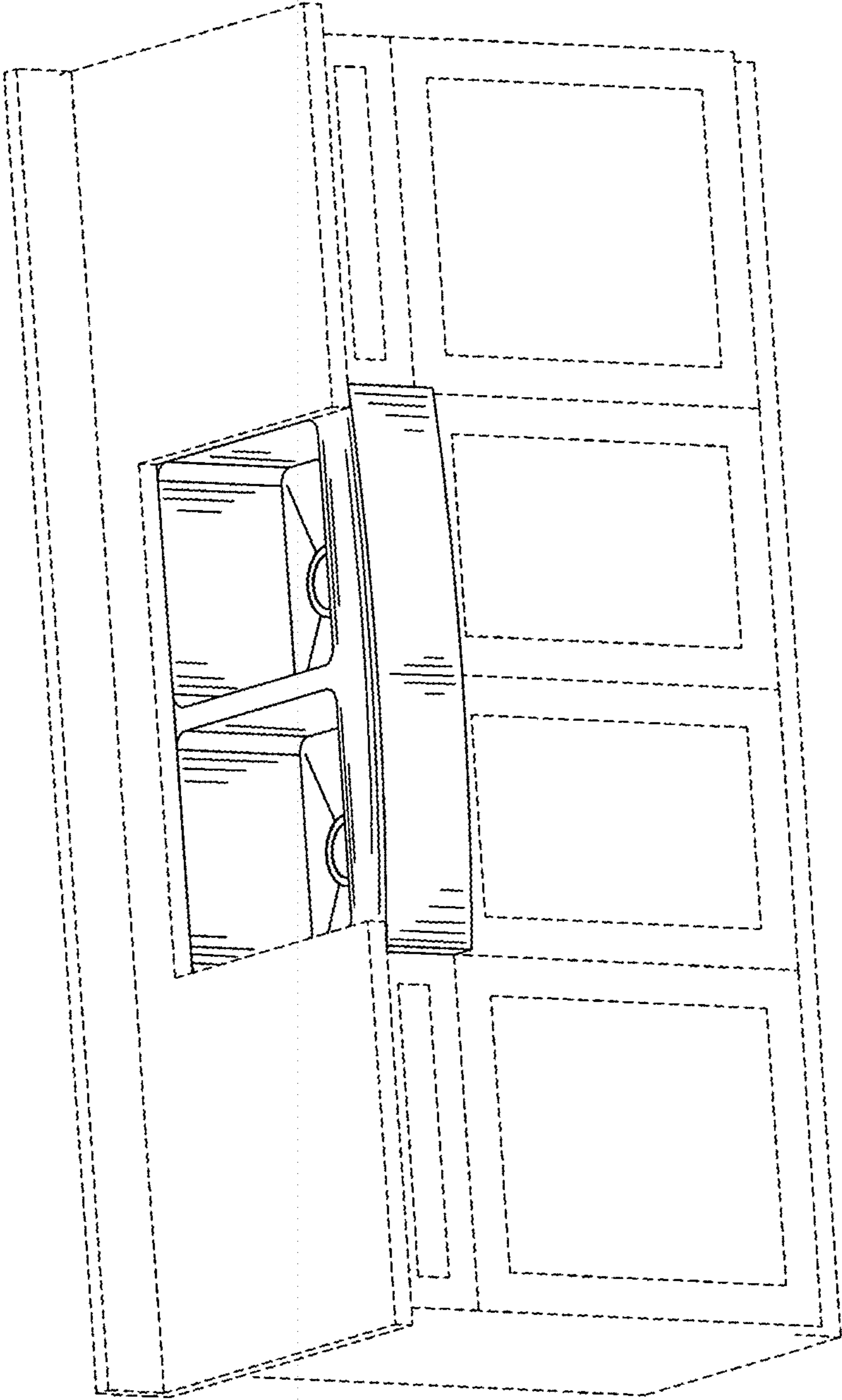


FIG. 7

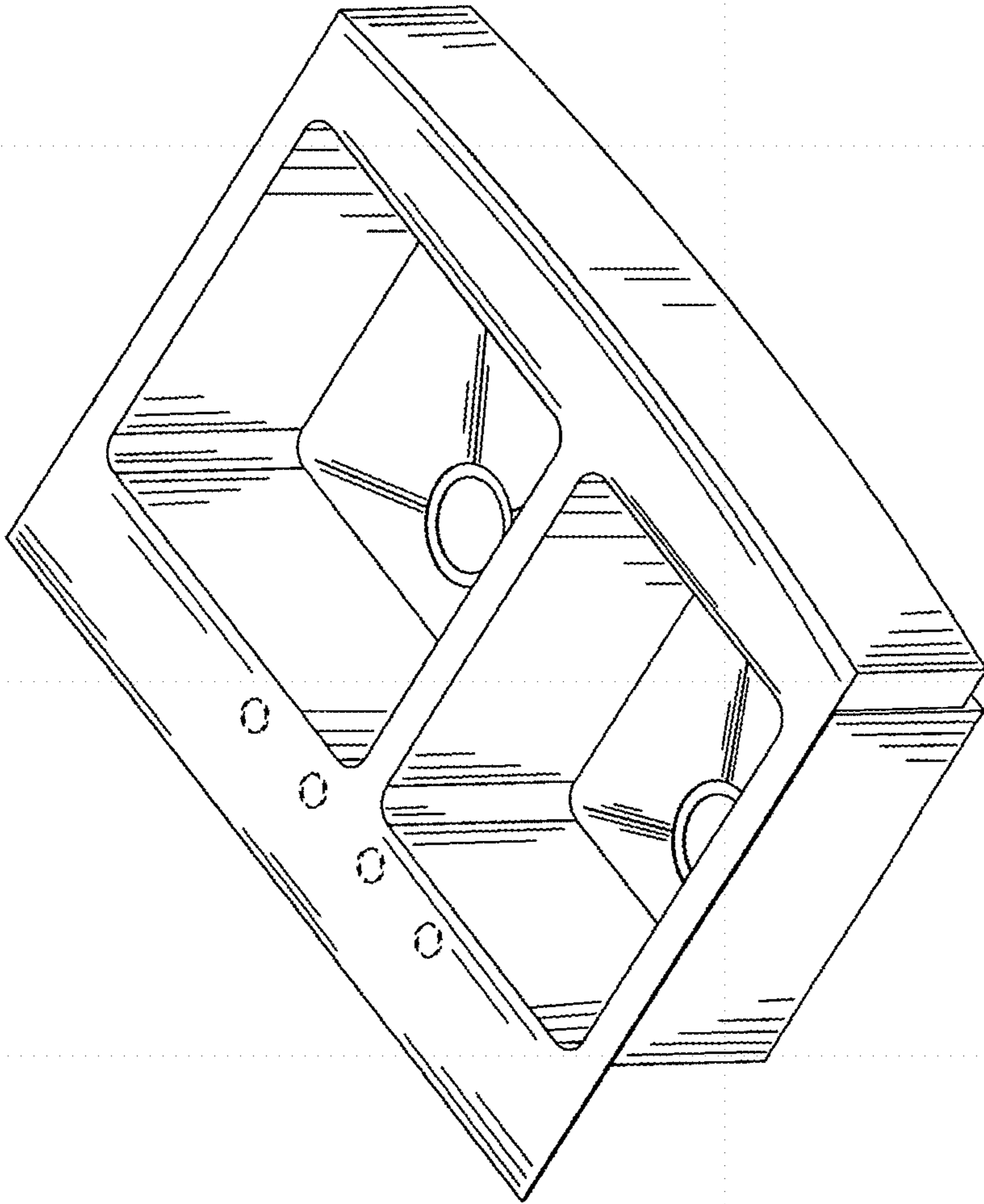


FIG. 8

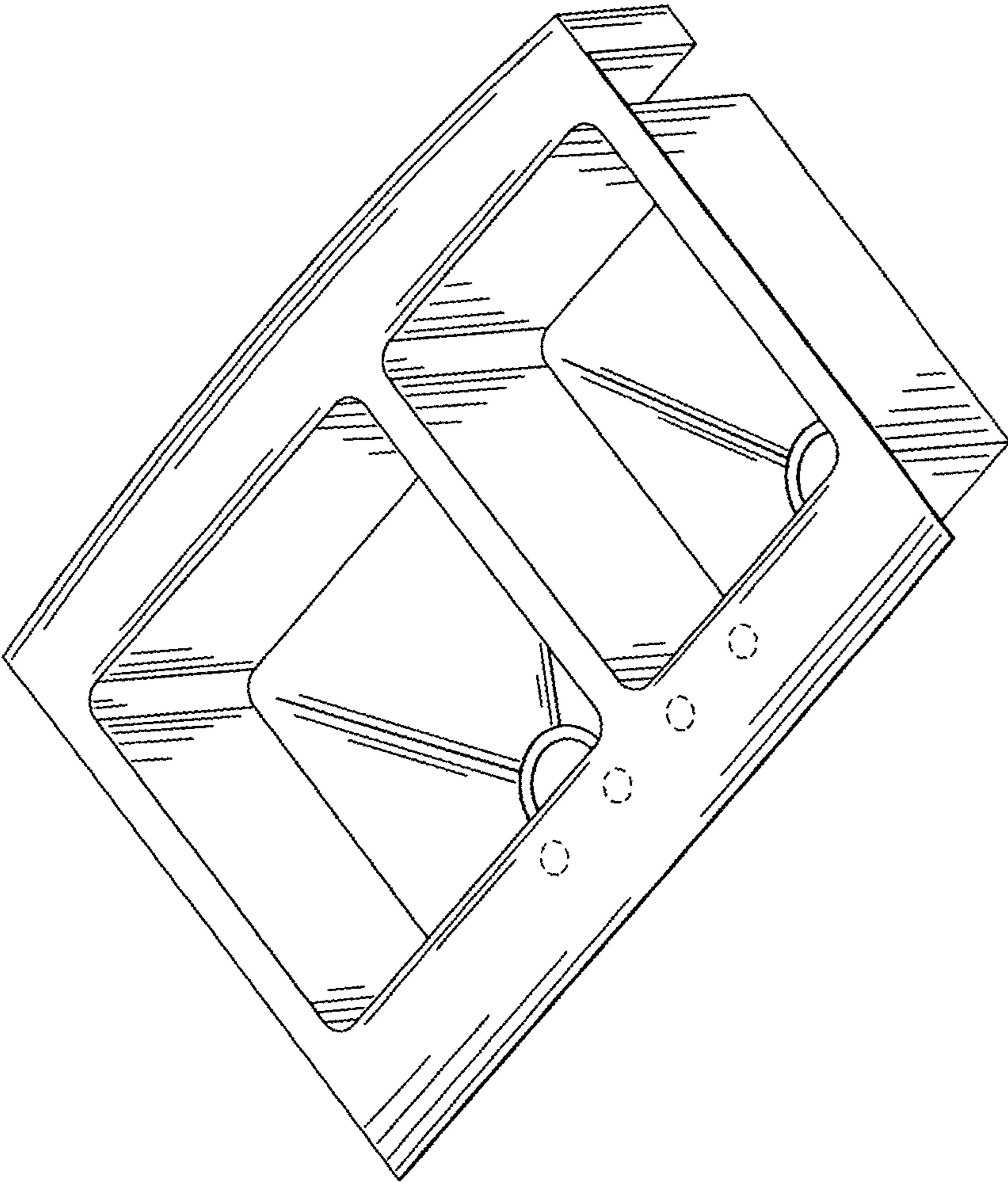


FIG. 9

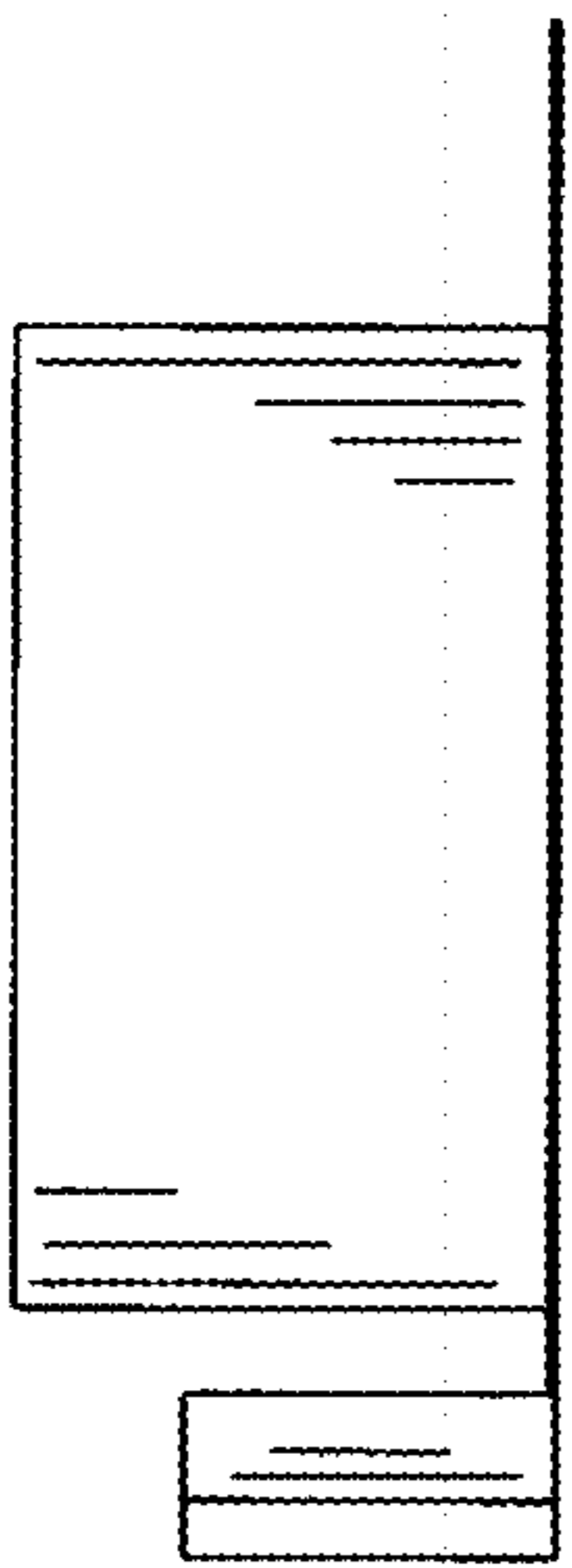


FIG. 13

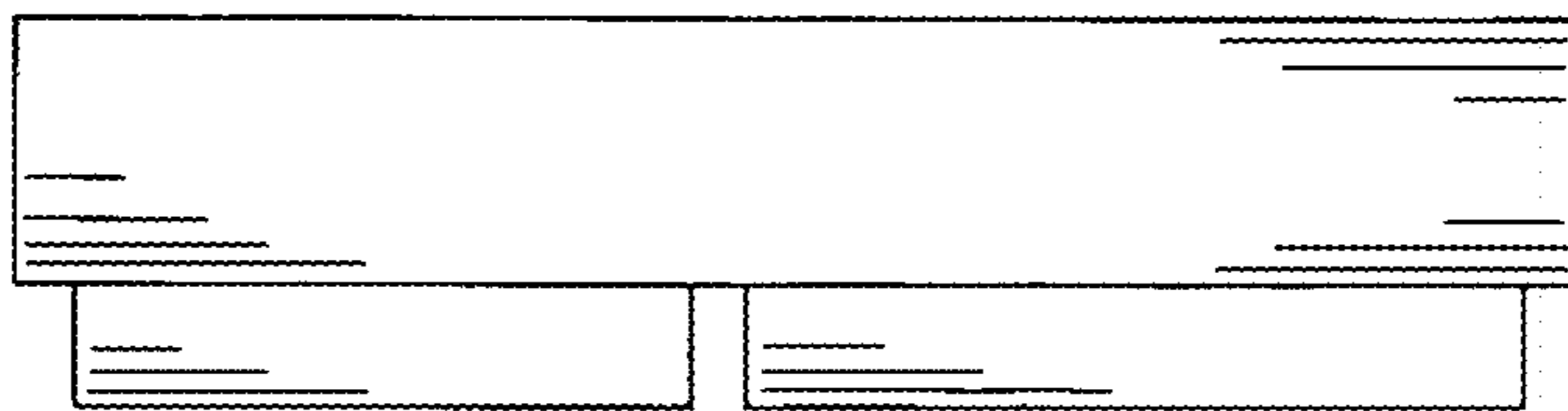


FIG. 10

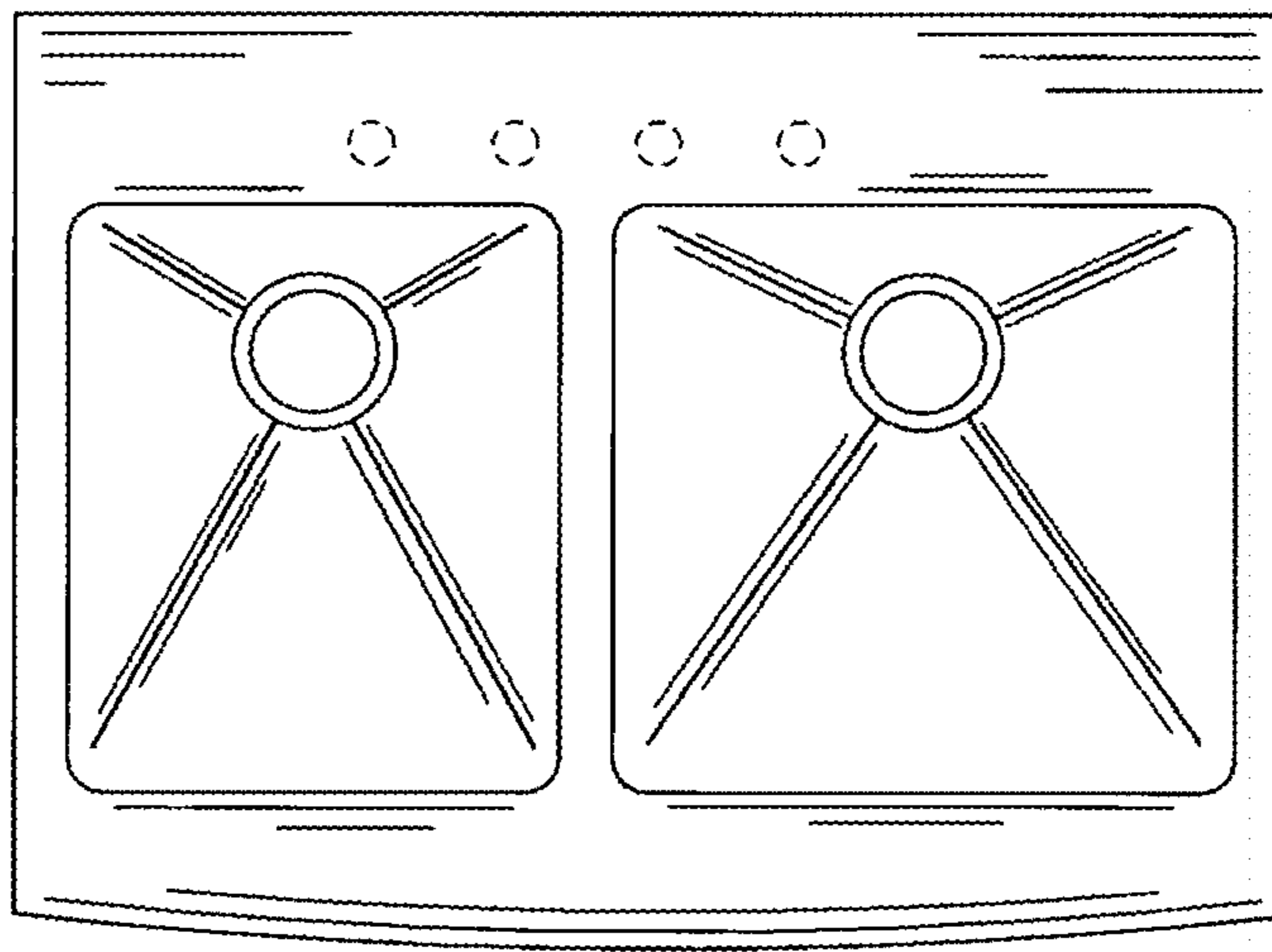


FIG. 12

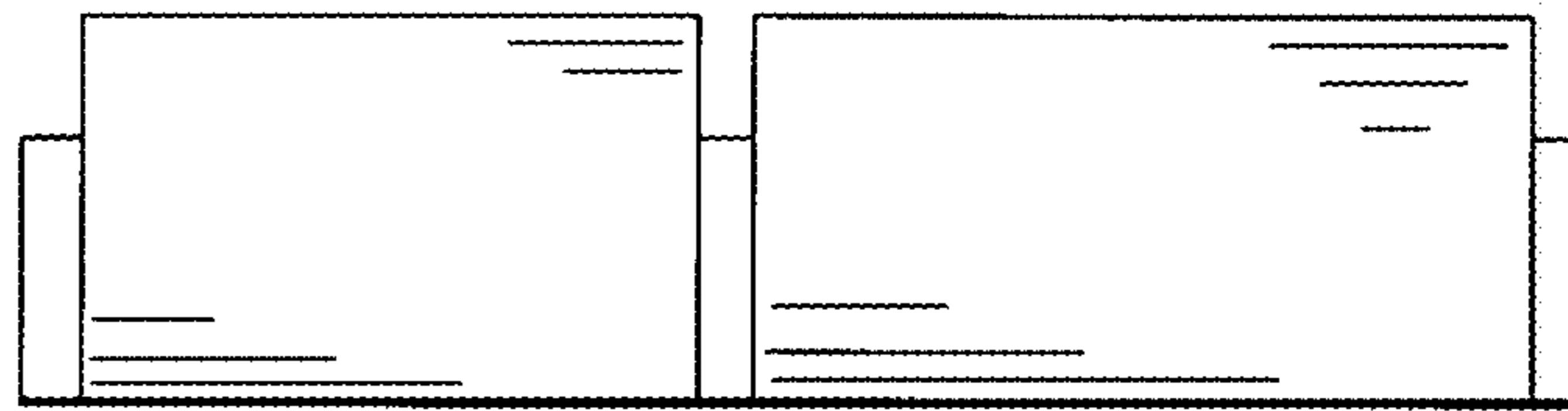


FIG. 11

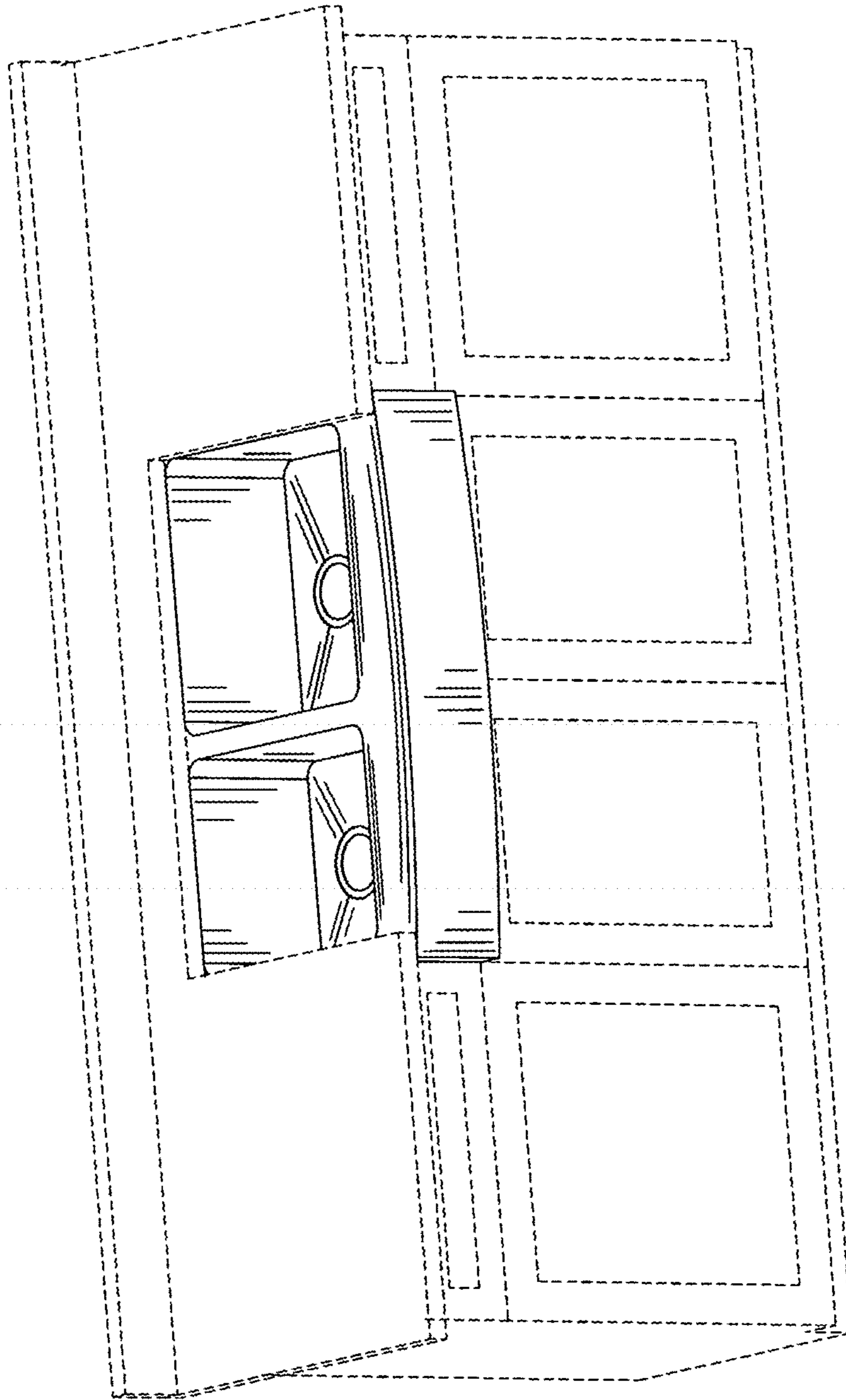


FIG. 14

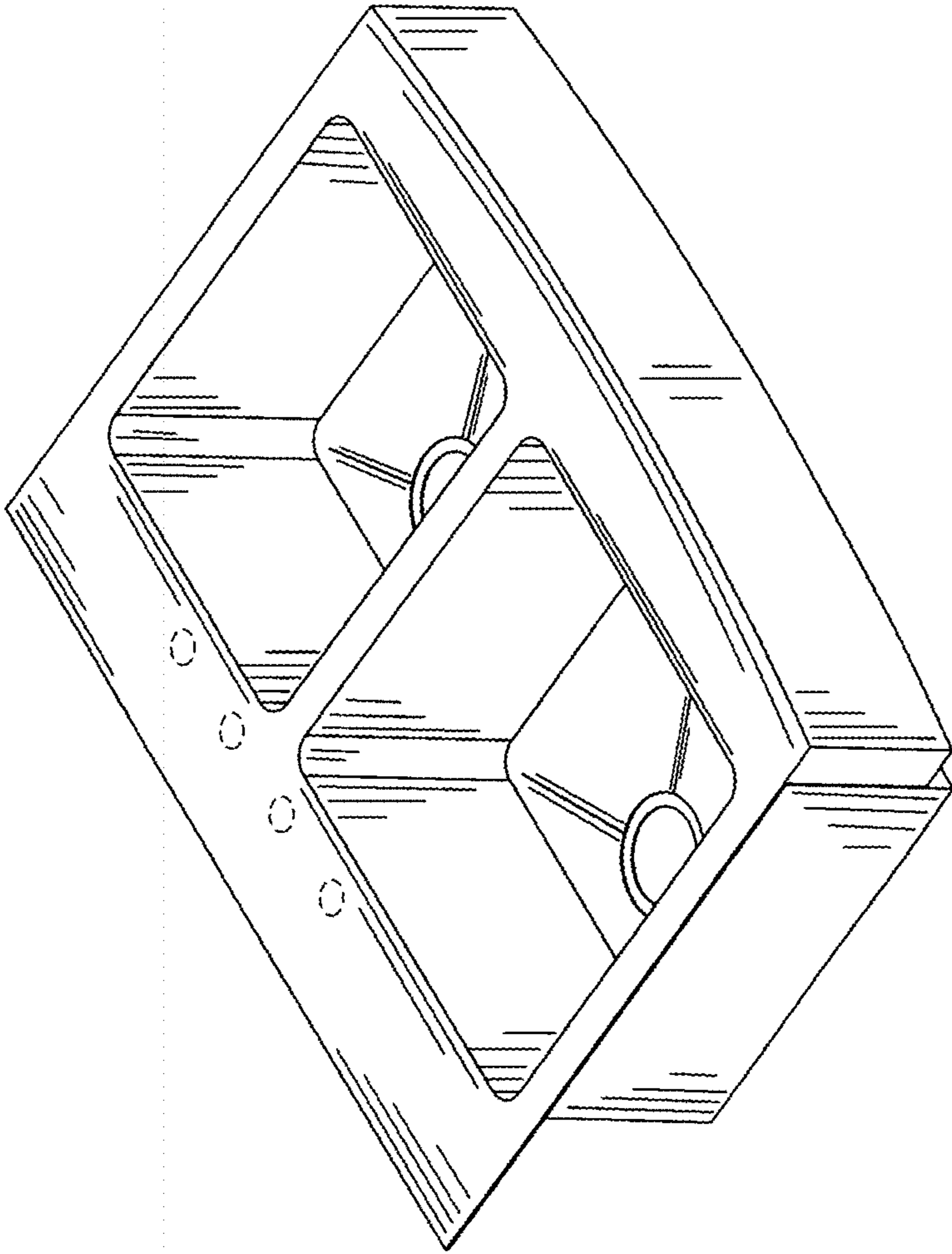


FIG. 15

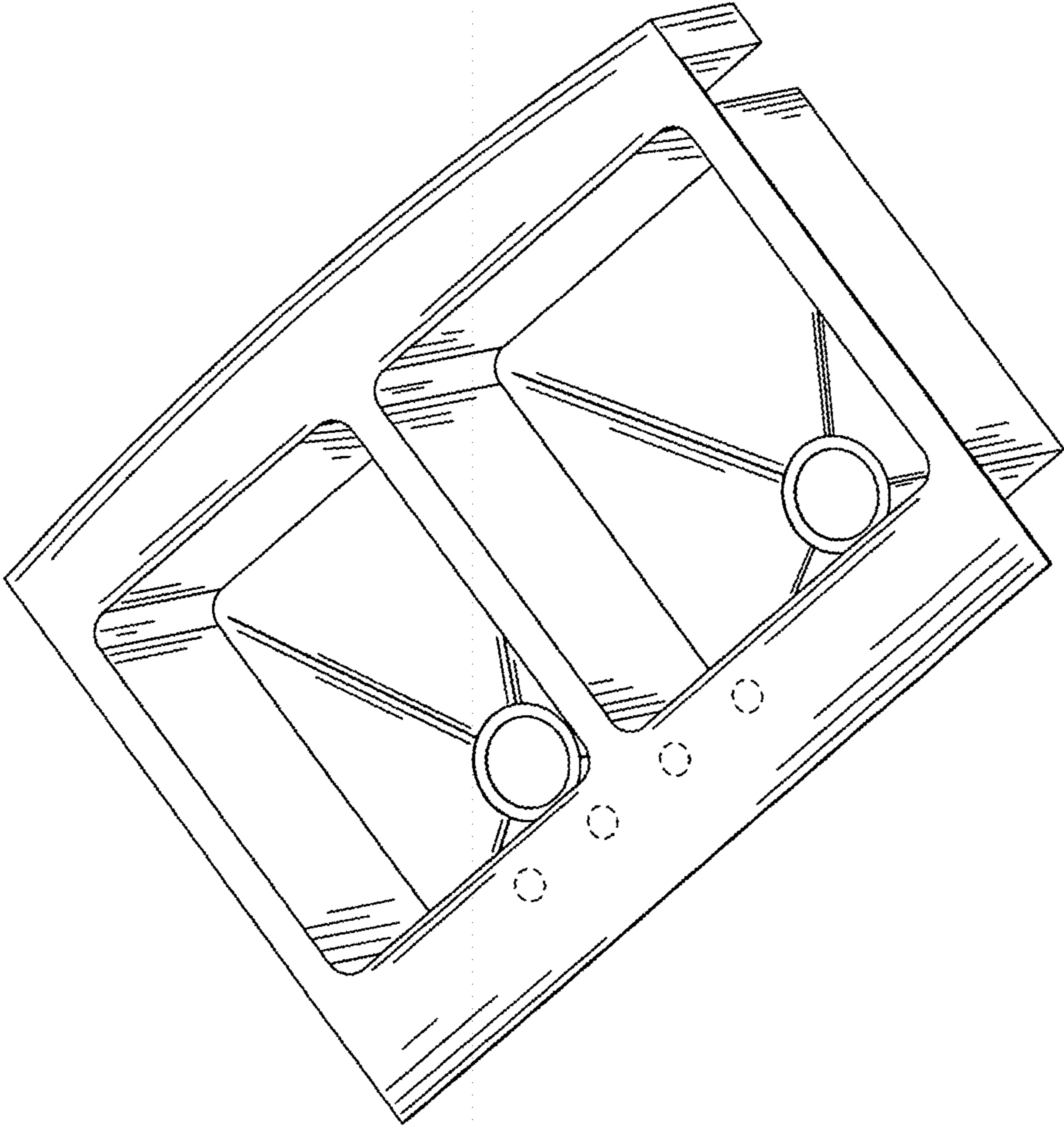


FIG. 16

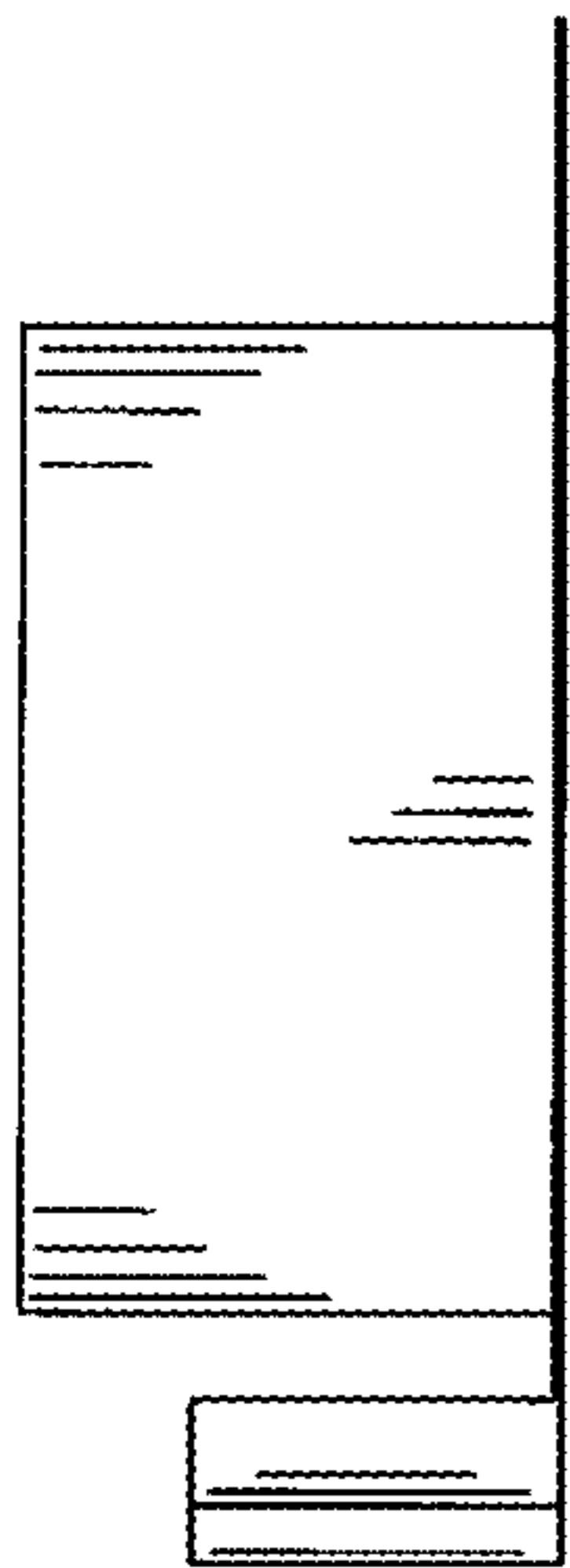


FIG. 20

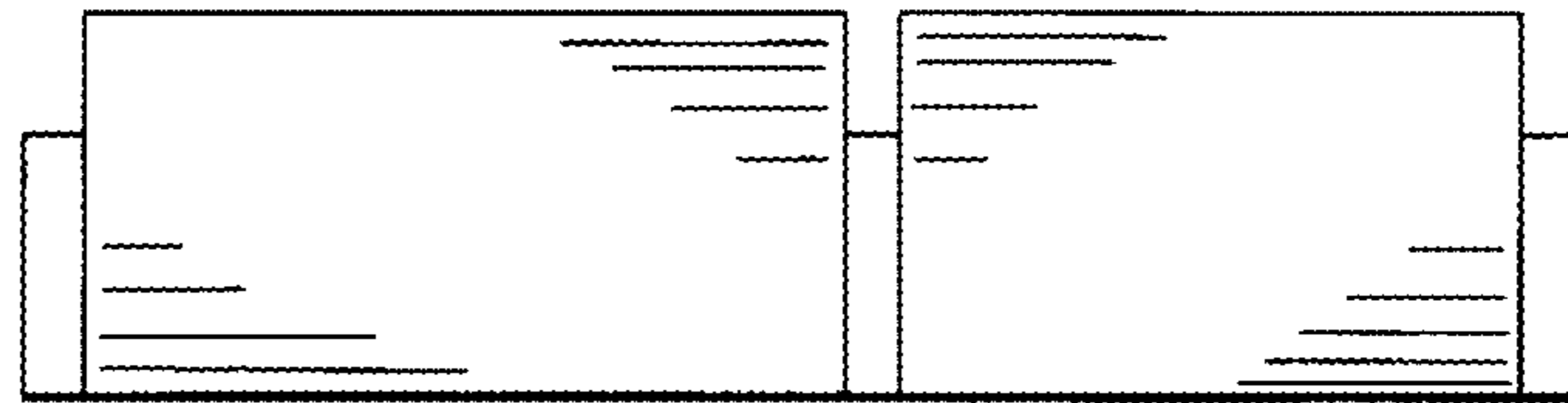


FIG. 18

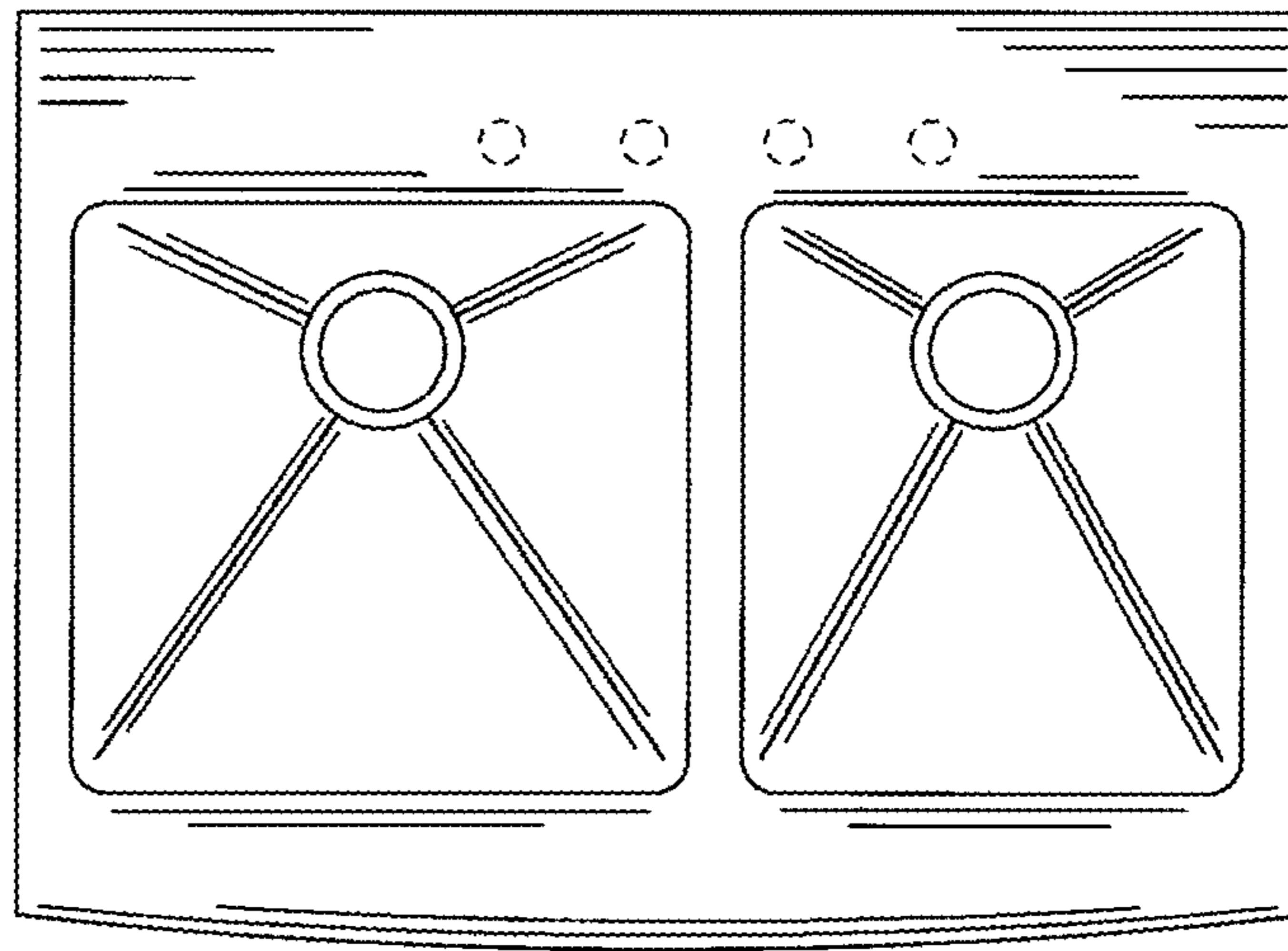


FIG. 19

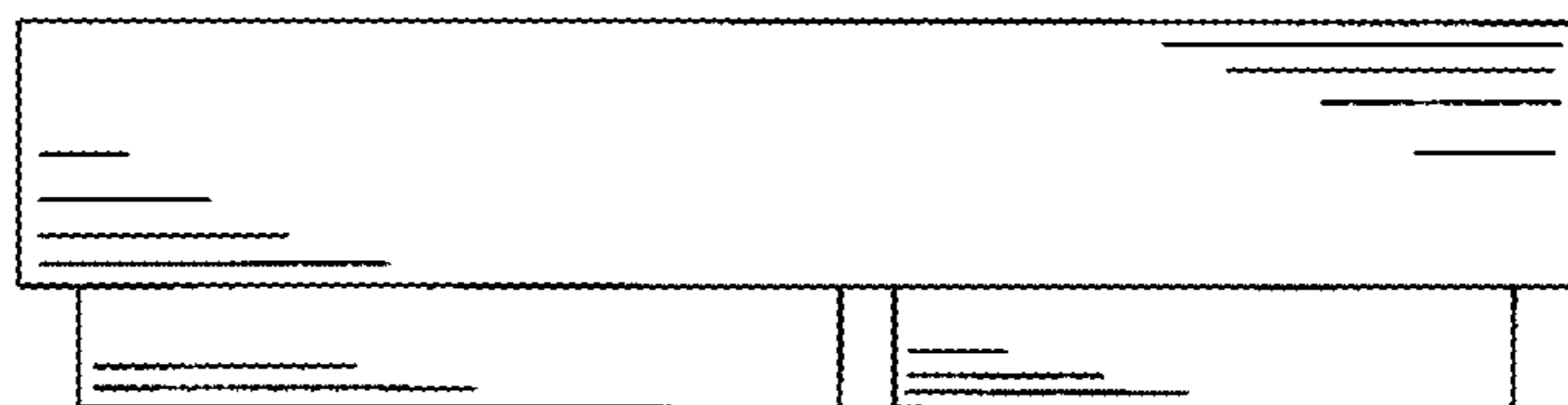


FIG. 17

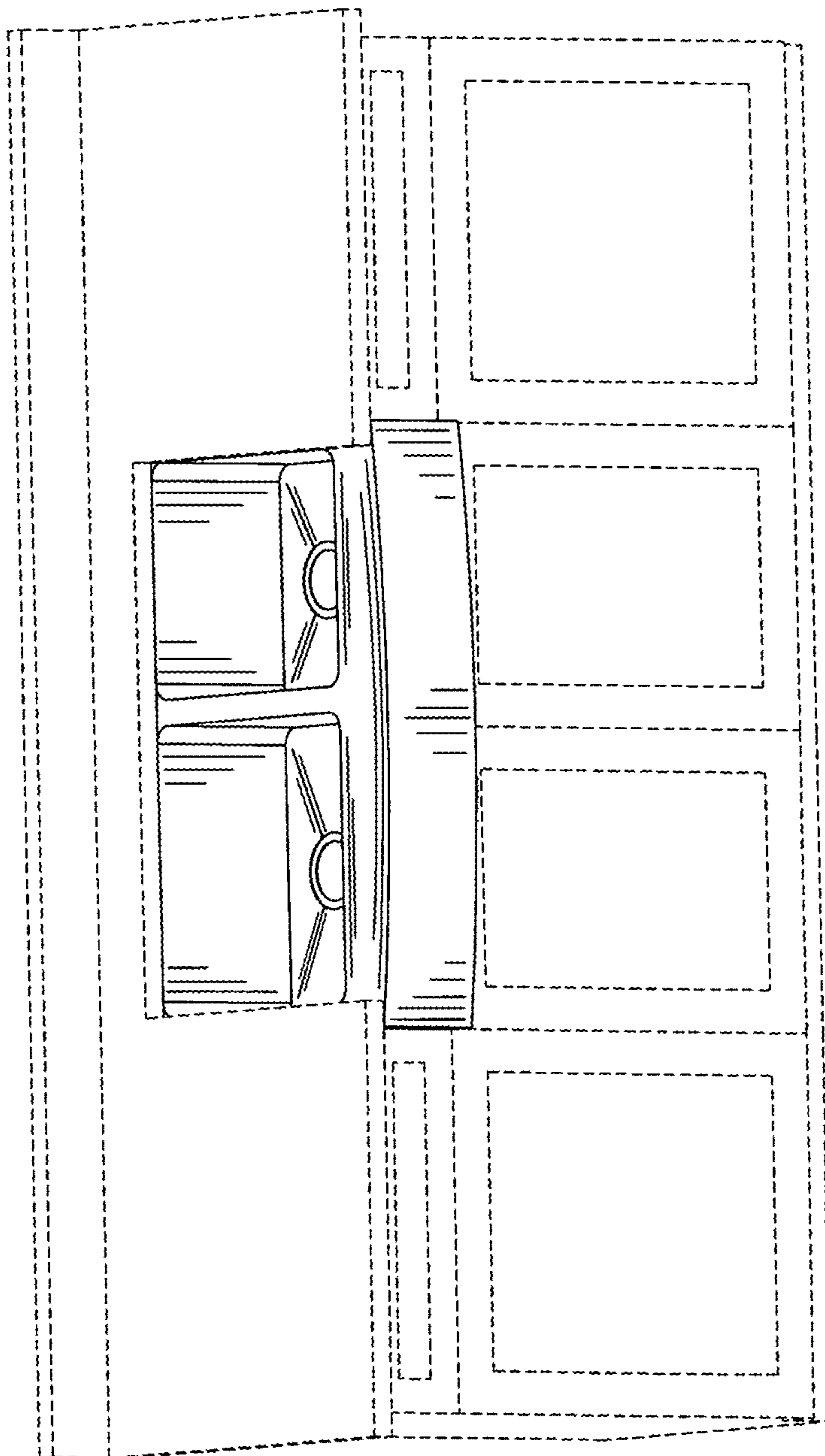


FIG. 21