



US00D933792S

(12) **United States Design Patent** (10) **Patent No.:** **US D933,792 S**
Richter (45) **Date of Patent:** **** Oct. 19, 2021**

(54) **BATHTUB**

(71) Applicant: **Duravit Aktiengesellschaft**, Hornberg (DE)

(72) Inventor: **Frank Richter**, Hornberg (DE)

(**) Term: **15 Years**

(21) Appl. No.: **29/697,276**

(22) Filed: **Jul. 7, 2019**

Related U.S. Application Data

(62) Division of application No. 29/613,853, filed on Aug. 14, 2017, now abandoned.

(30) **Foreign Application Priority Data**

Feb. 15, 2017 (WO) DM/095253

(51) **LOC (13) Cl.** **23-02**

(52) **U.S. Cl.**
USPC **D23/280.1**

(58) **Field of Classification Search**
USPC ... D23/277-279, 280.1, 280.2, 280.3, 280.4,
D23/284, 293.1, 304-307
CPC A47K 3/006; A47K 3/02; A47K 3/022;
E05C 9/16
See application file for complete search history.

(56) **References Cited**

U.S. PATENT DOCUMENTS

- D519,192 S * 4/2006 Kergoet D23/280.1
- D594,940 S * 6/2009 Bates D23/277
- D631,950 S * 2/2011 Richmond D23/280.1
- D633,604 S * 3/2011 Hoh D23/280.1
- D638,107 S * 5/2011 Jiang D23/277
- D639,916 S * 6/2011 Dosne D23/277
- D642,663 S * 8/2011 Dosne D23/304
- D697,182 S * 1/2014 Lutz D23/277
- D705,404 S * 5/2014 Anzellini D23/293.1
- D711,517 S * 8/2014 Newson D23/280.1

- D724,706 S * 3/2015 Meneghello D23/277
- D747,446 S * 1/2016 Yoshioka D23/277
- D767,738 S * 9/2016 Osterroth D23/284
- D783,853 S * 4/2017 Collins D24/205
- D827,790 S * 9/2018 Bowen D23/277
- D834,157 S * 11/2018 L'Henaff D23/277
- D892,988 S * 8/2020 Dominguez D23/279
- D895,081 S * 9/2020 Lee D23/280.1

(Continued)

OTHER PUBLICATIONS

Duravit Durasquare freestanding bathtub [Jul. 21, 2021] found online [Jul. 21, 2021]—https://www.duravit.us/products/all_series/durasquare.us-en.html.*

Primary Examiner — John A Voytek

(74) *Attorney, Agent, or Firm* — Florek & Endres PLLC

(57) **CLAIM**

I claim the ornamental design for a bathtub, as shown and described.

DESCRIPTION

FIG. 1 is a front perspective view of the bathtub of the present invention.

FIG. 2 is a rear perspective view of the bathtub of the present invention.

FIG. 3 is a top plan view of the bathtub of the present invention.

FIG. 4 is a bottom plan view of the bathtub of the present invention.

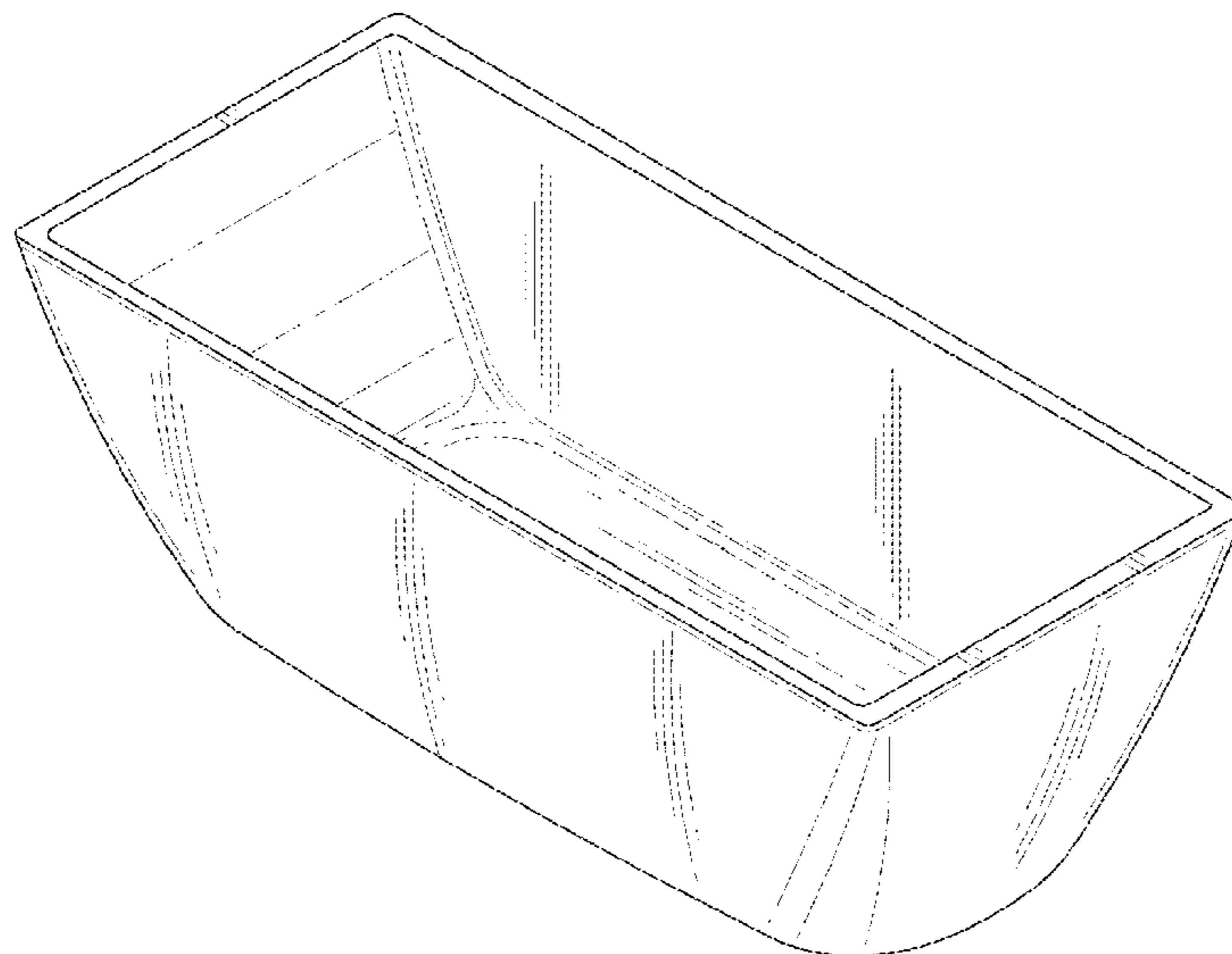
FIG. 5 is a rear elevation view of the bathtub of the present invention.

FIG. 6 is a front elevation view of the bathtub of the present invention.

FIG. 7 is a right side elevation view of the bathtub of the present invention; and,

FIG. 8 is a left side elevation view of the bathtub of the present invention.

1 Claim, 5 Drawing Sheets



(56)

References Cited

U.S. PATENT DOCUMENTS

D903,066 S * 11/2020 Dominguez D23/279
D913,456 S * 3/2021 Manz D23/280.1

* cited by examiner

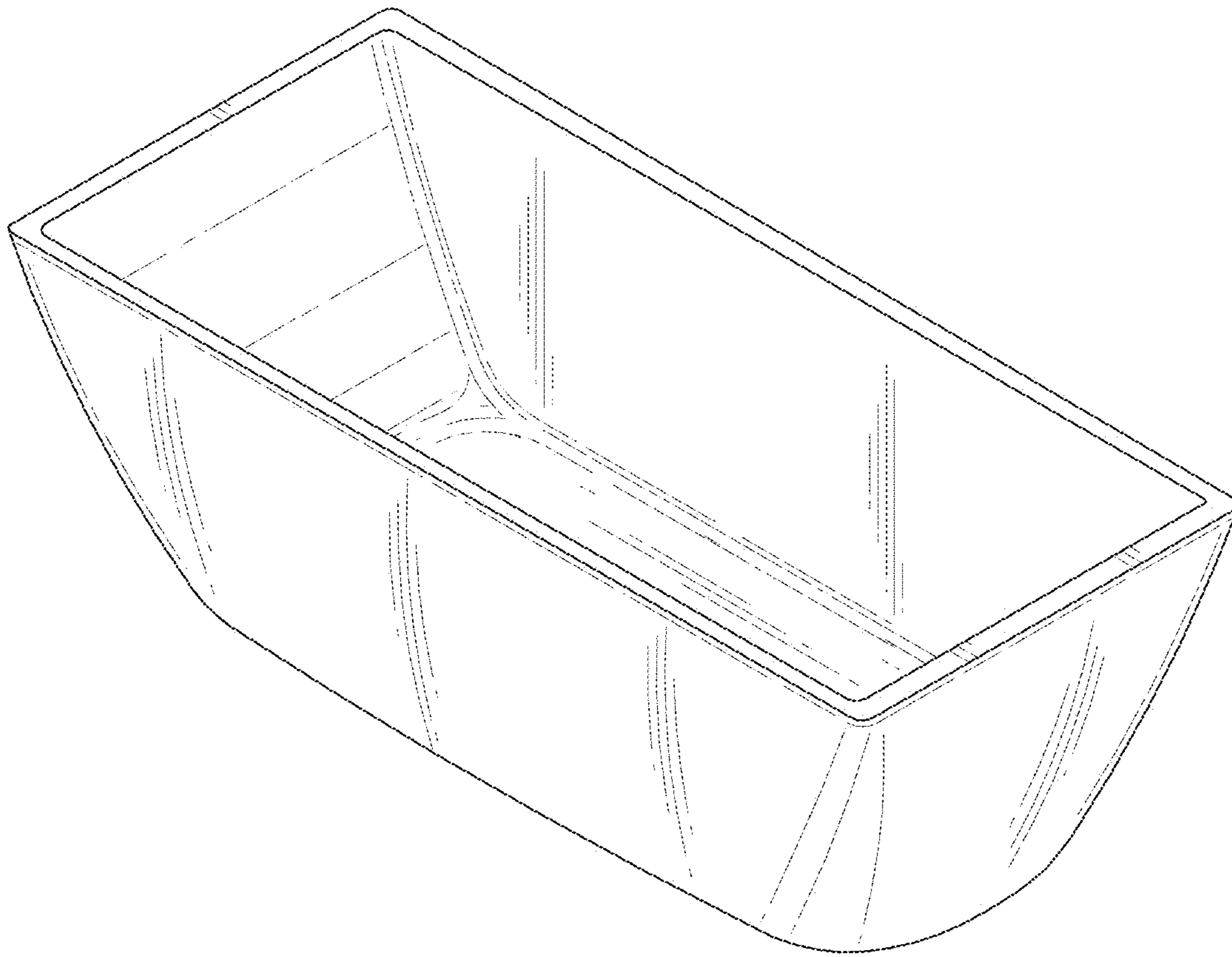


FIG. 1

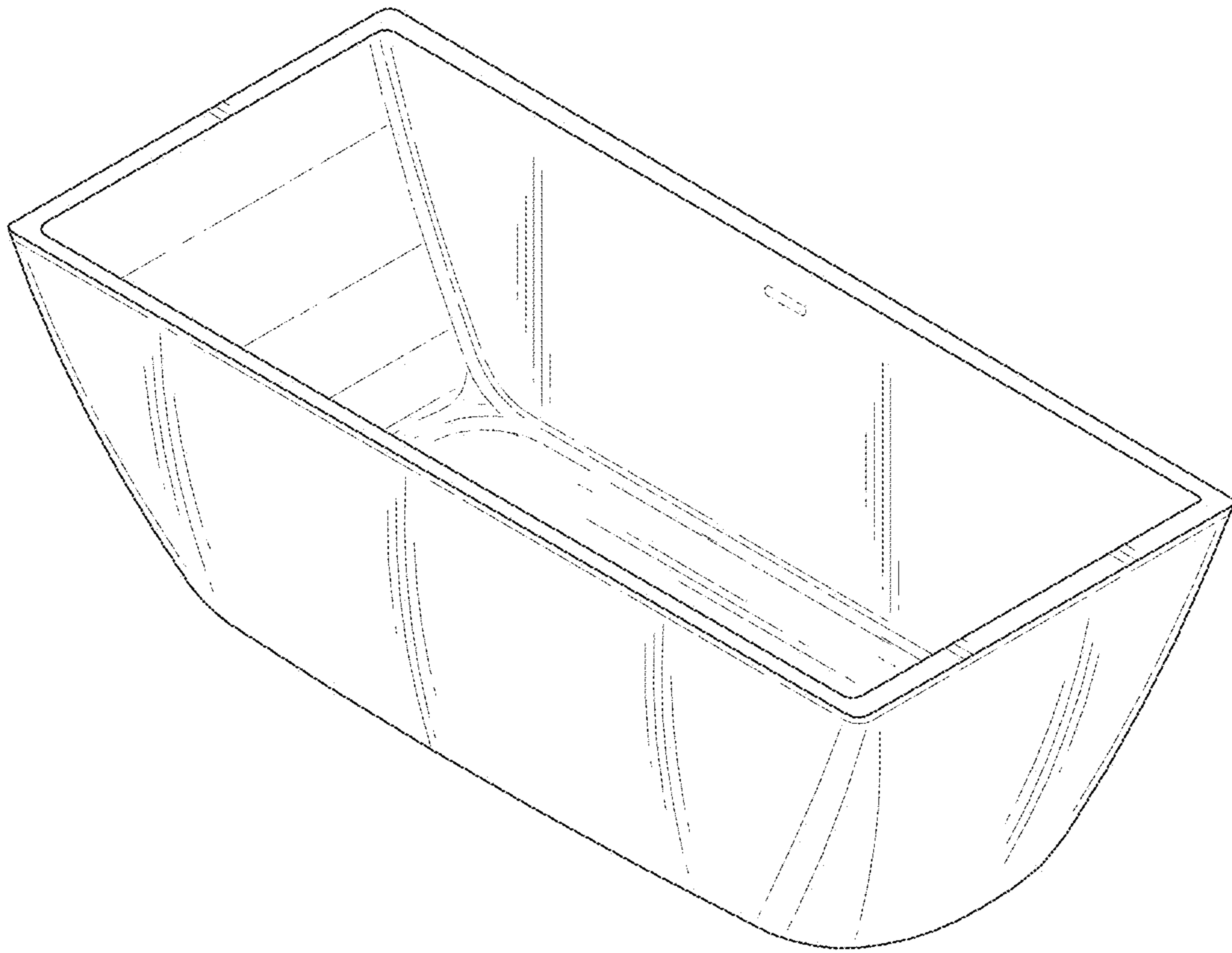


FIG. 2

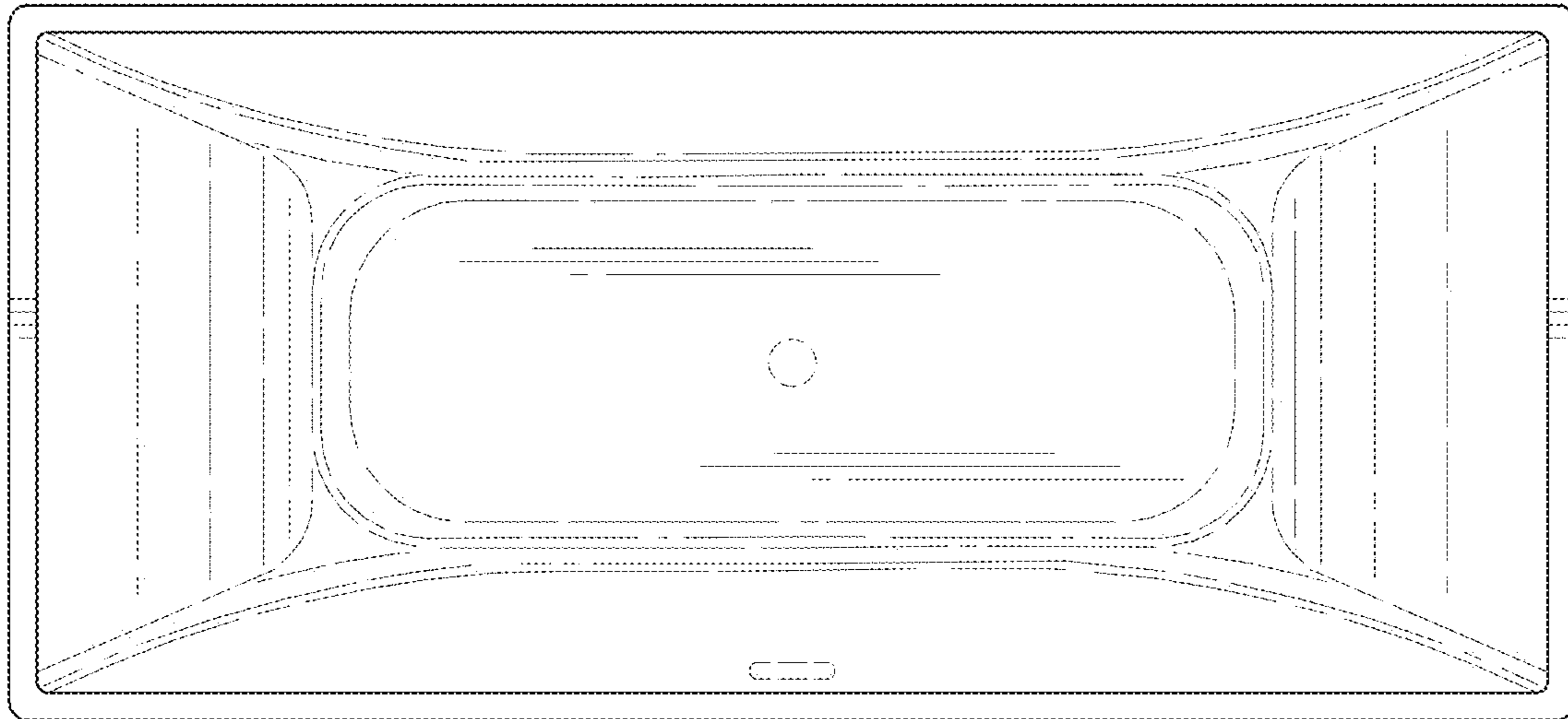


FIG. 3

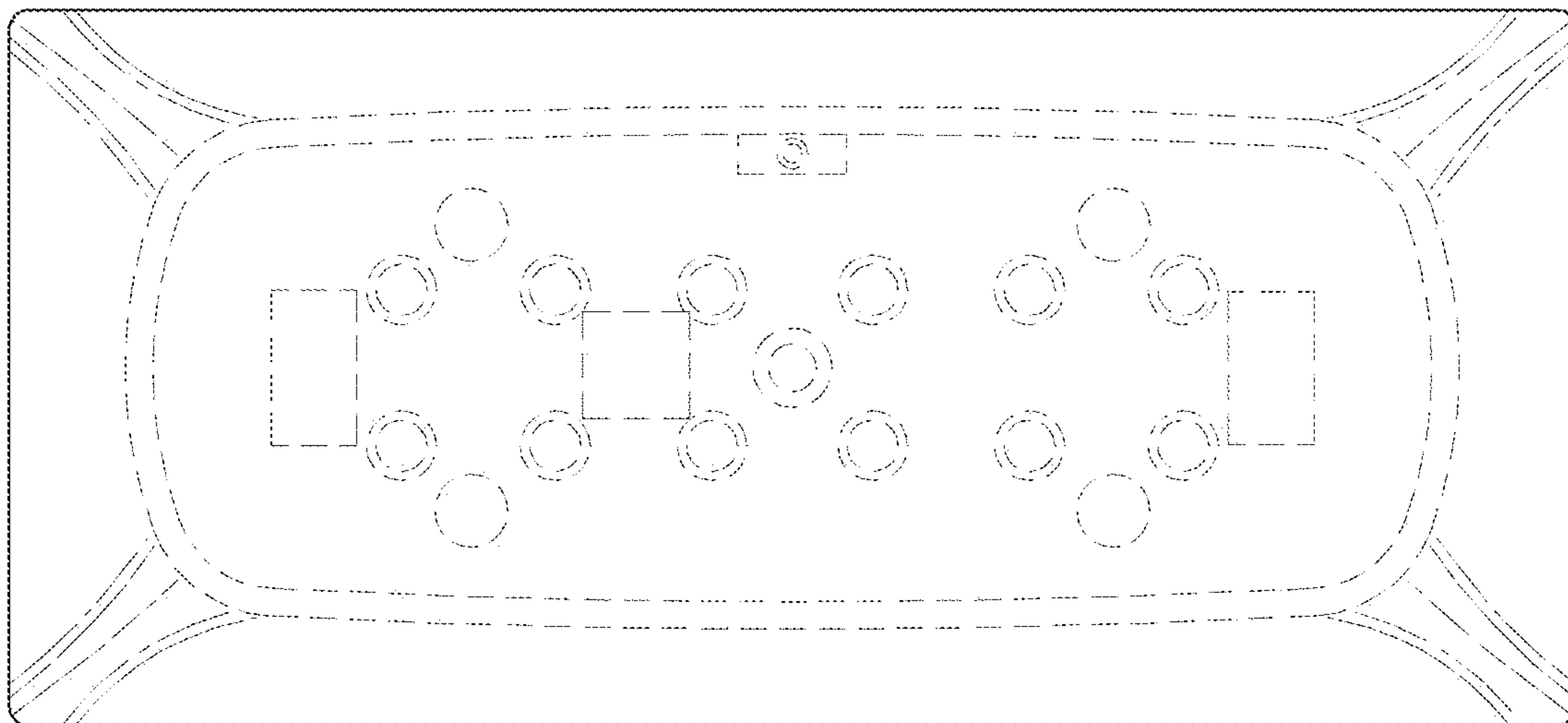


FIG. 4

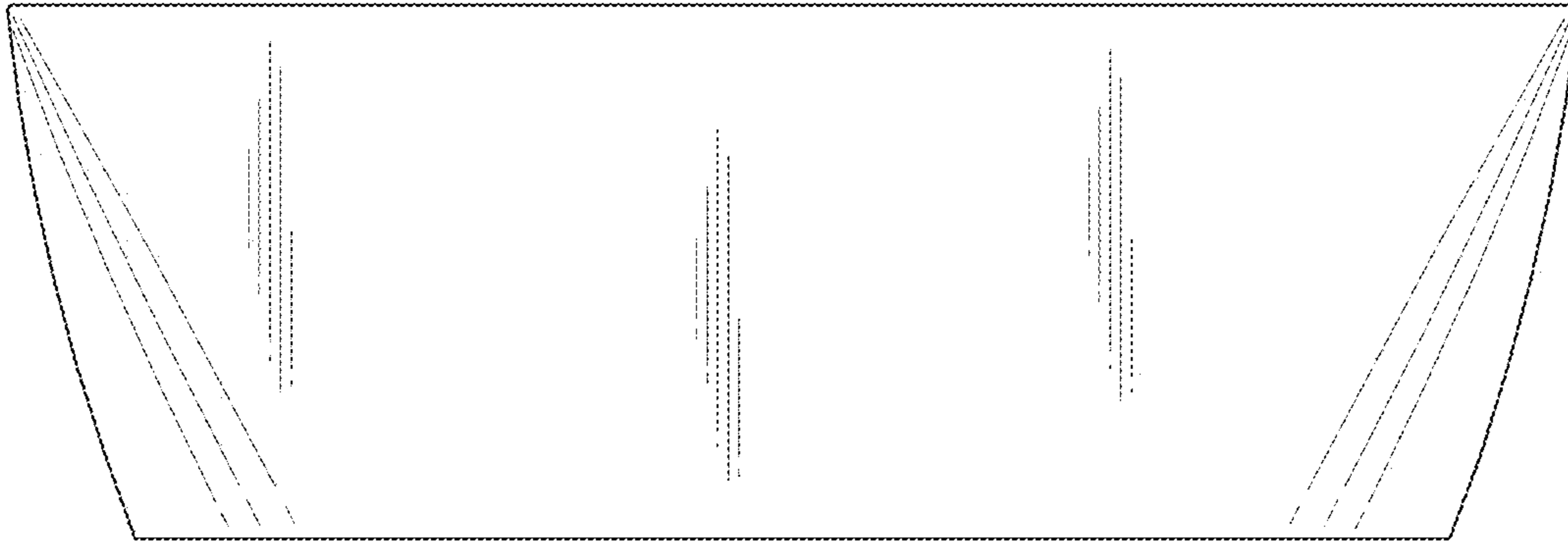


FIG. 5

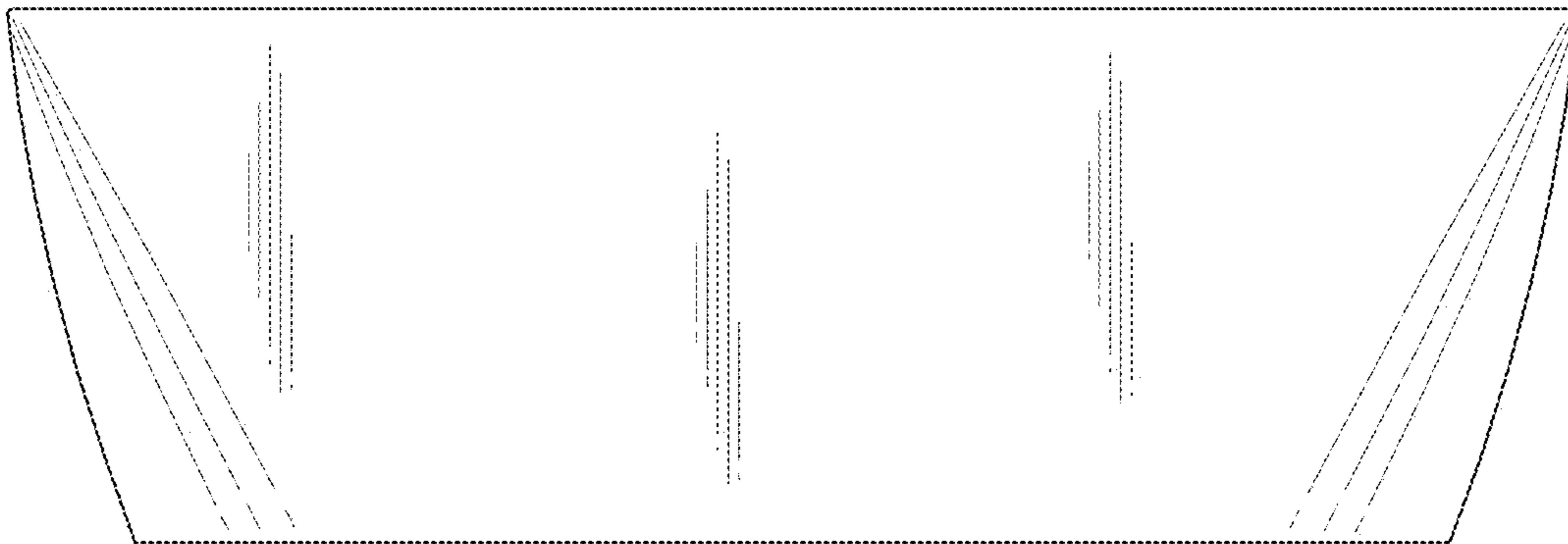


FIG. 6

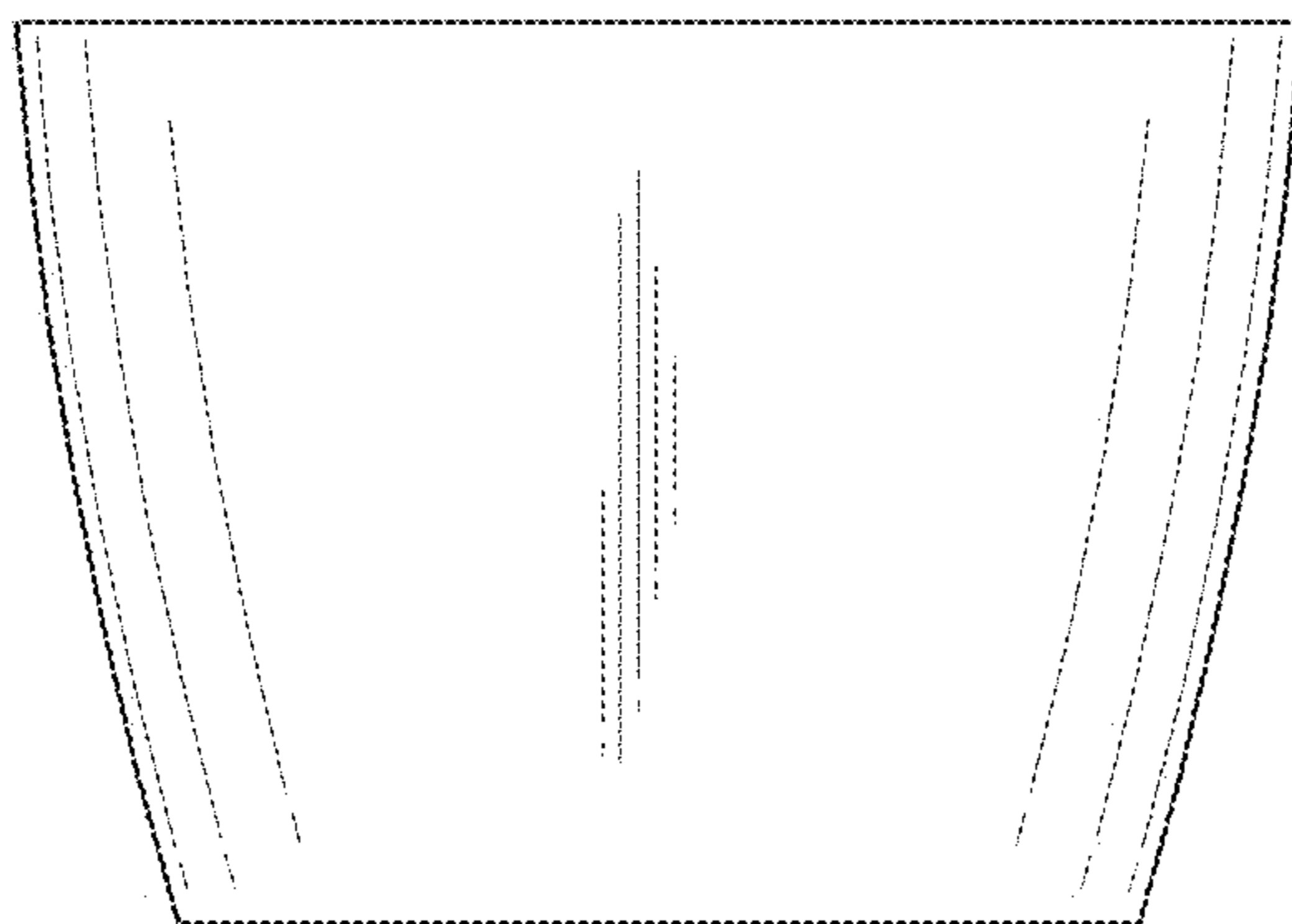


FIG. 7

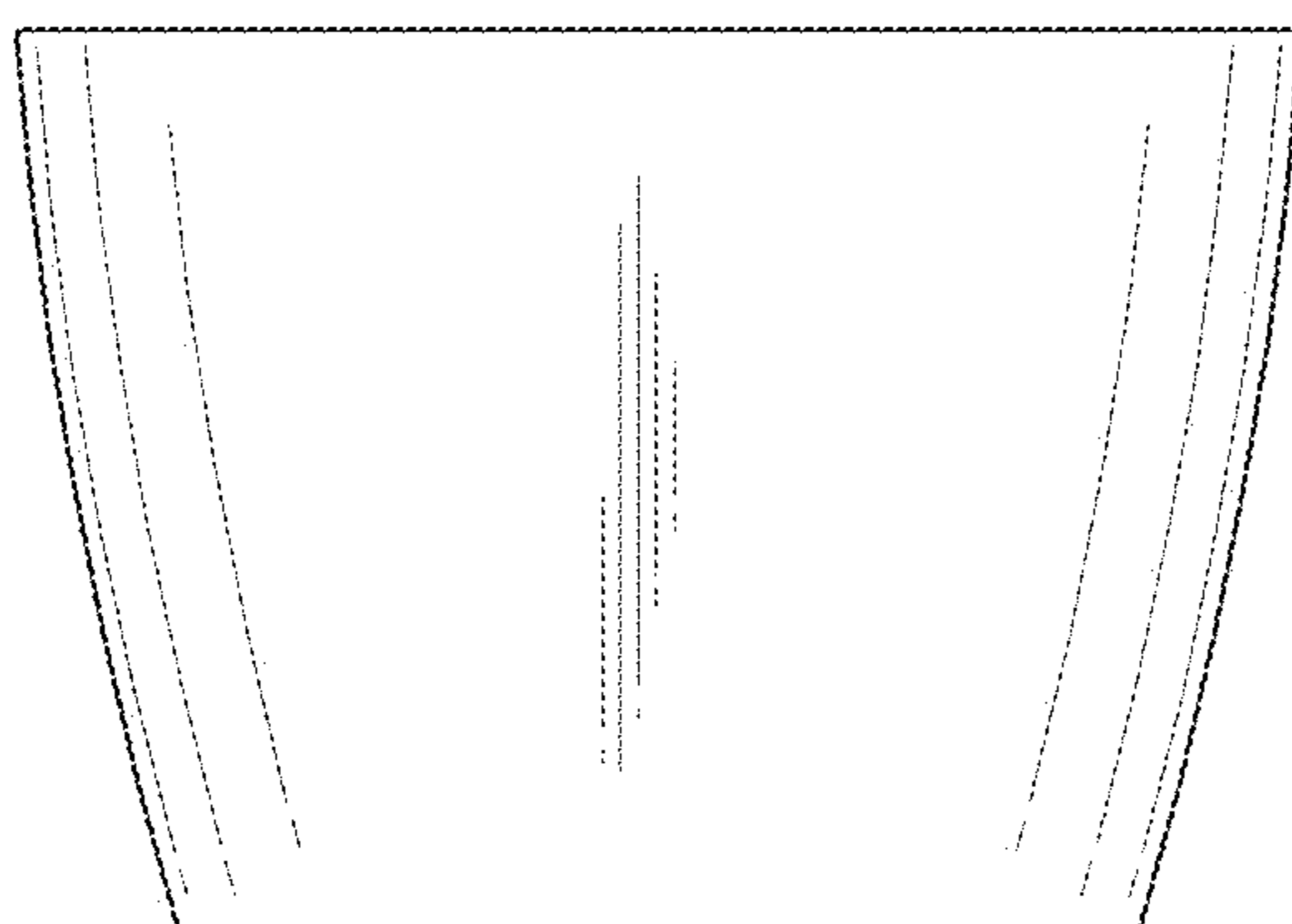


FIG. 8