



US00D933791S

(12) **United States Design Patent** (10) **Patent No.:** **US D933,791 S**
Richter (45) **Date of Patent:** **** Oct. 19, 2021**

- (54) **BATHTUB**
- (71) Applicant: **Duravit Aktiengesellschaft**, Hornberg (DE)
- (72) Inventor: **Frank Richter**, Hornberg (DE)
- (**) Term: **15 Years**
- (21) Appl. No.: **29/697,272**
- (22) Filed: **Jul. 6, 2019**

D892,988 S * 8/2020 Dominguez D23/279
 D903,066 S * 11/2020 Dominguez D23/279
 2012/0029400 A1* 2/2012 Moretto A61H 33/6089
 601/55

Related U.S. Application Data

- (62) Division of application No. 29/614,021, filed on Aug. 15, 2017, now abandoned.

Foreign Application Priority Data

- Feb. 15, 2017 (WO) DM/095253
- (51) **LOC (13) Cl.** **23-02**
- (52) **U.S. Cl.**
USPC **D23/280.1**
- (58) **Field of Classification Search**
USPC ... D23/277-279, 280.1, 280.2, 280.3, 280.4,
D23/284, 293.1, 304-307
CPC A47K 3/006; A47K 3/02; A47K 3/022;
E05C 9/16
See application file for complete search history.

References Cited

U.S. PATENT DOCUMENTS

- D499,467 S * 12/2004 Aubry D23/280.1
- D633,603 S * 3/2011 Su D23/280.1
- D638,107 S * 5/2011 Jiang D23/277
- D697,182 S * 1/2014 Lutz D23/277
- D703,795 S * 4/2014 Licini D23/277
- D705,404 S * 5/2014 Anzellini D23/293.1
- D711,517 S * 8/2014 Newson D23/280.1
- D767,738 S * 9/2016 Osterroth D23/284
- D783,853 S * 4/2017 Collins D24/205
- D866,726 S * 11/2019 Chen D23/293.1

OTHER PUBLICATIONS

Duravit Vero Air freestanding bathtub [Jul. 21, 2021] found online [Jul. 21, 2021]—https://www.duravit.us/products/all_series/vero_air.us-en.html.
 Anlaike Wide 60 Inch Freestanding Bathtub [Jul. 21, 2021] found online [Jul. 21, 2021]—<http://www.acrylicfreestandingbathtub.com/sale-9696541-wide-60-inch-freestanding-bathtub-rectangular-freestanding-tub-with-end-drain.html>.

* cited by examiner

Primary Examiner — John A Voytek

(74) *Attorney, Agent, or Firm* — Florek & Endres PLLC

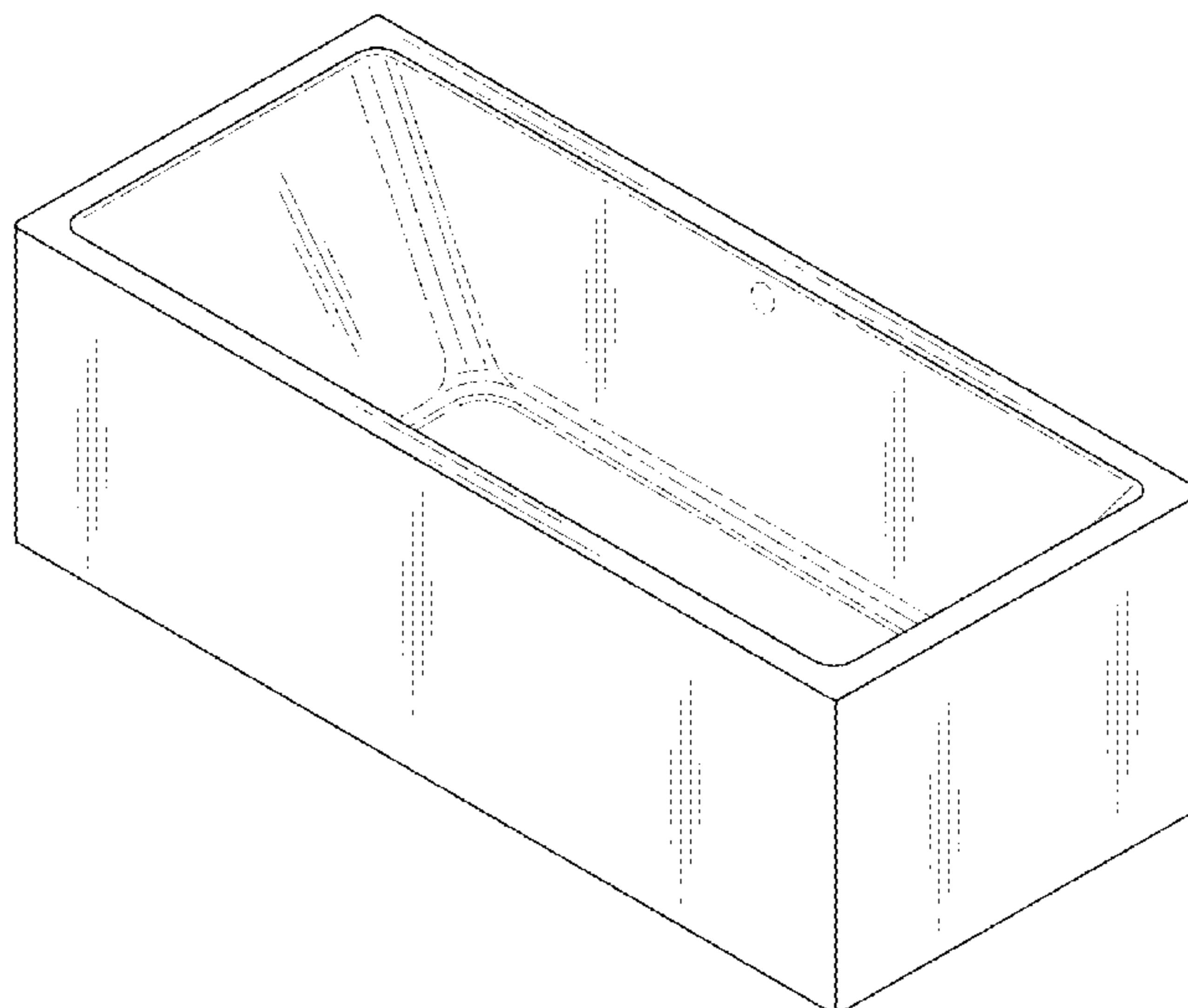
CLAIM

I claim the ornamental design for a bathtub, as shown and described.

DESCRIPTION

FIG. 1 is a front perspective view of the bathtub of the present invention.
 FIG. 2 is a rear perspective view of the bathtub of the present invention.
 FIG. 3 is a top plan view of the bathtub of the present invention.
 FIG. 4 is a bottom plan view of the bathtub of the present invention.
 FIG. 5 is a rear elevation view of the bathtub of the present invention.
 FIG. 6 is a front elevation view of the bathtub of the present invention.
 FIG. 7 is a right side elevation view of the bathtub of the present invention; and,
 FIG. 8 is a left side elevation view of the bathtub of the present invention.

1 Claim, 4 Drawing Sheets



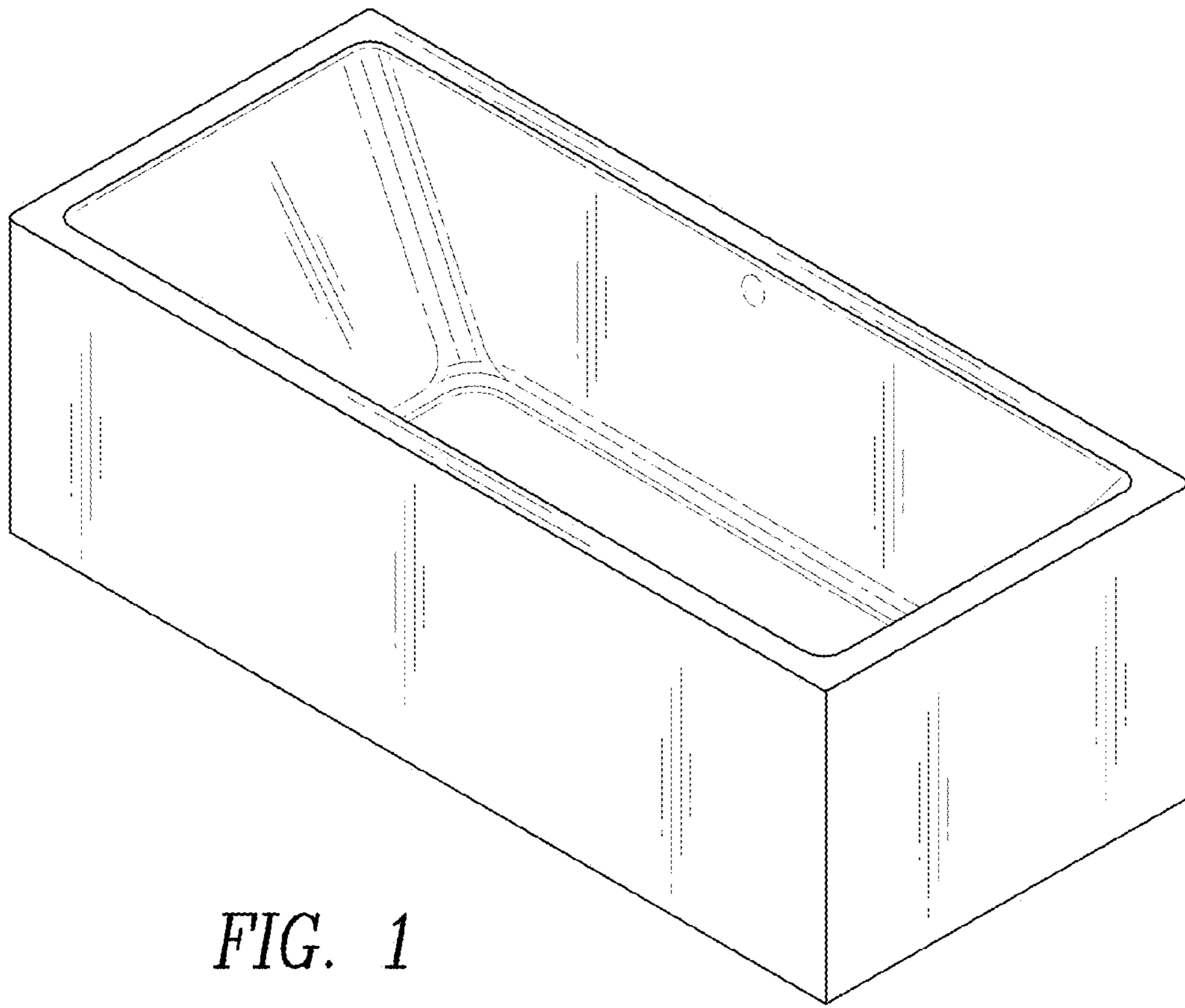


FIG. 1

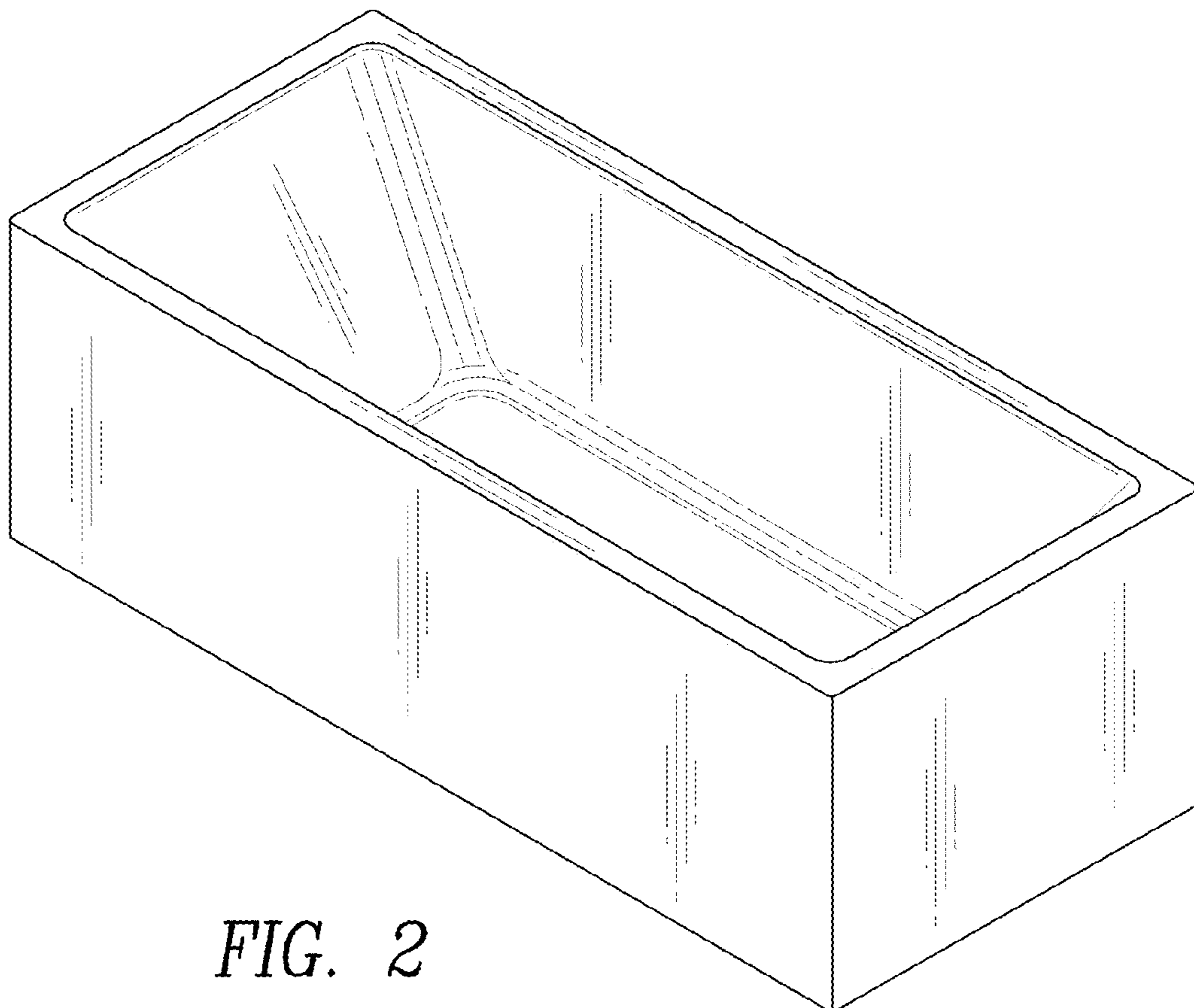


FIG. 2

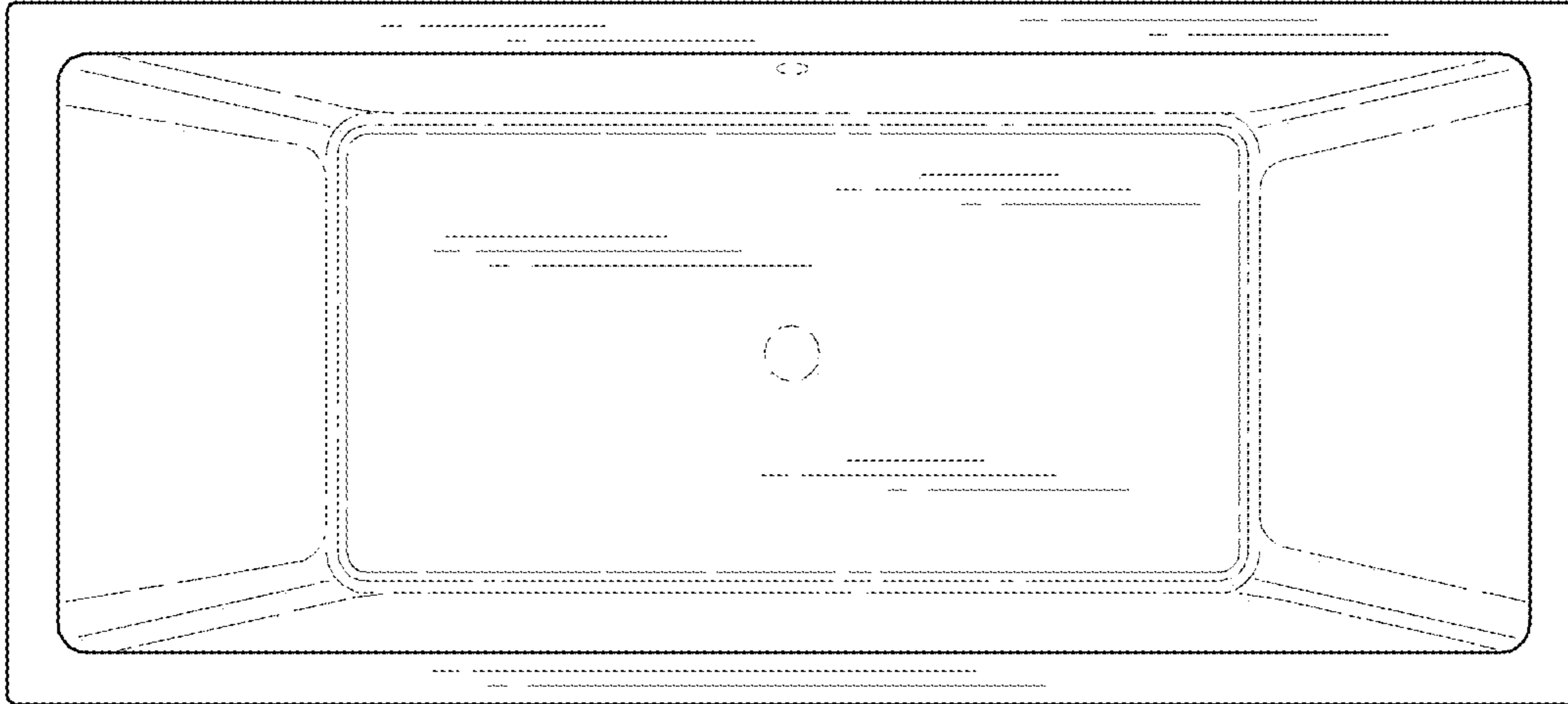


FIG. 3

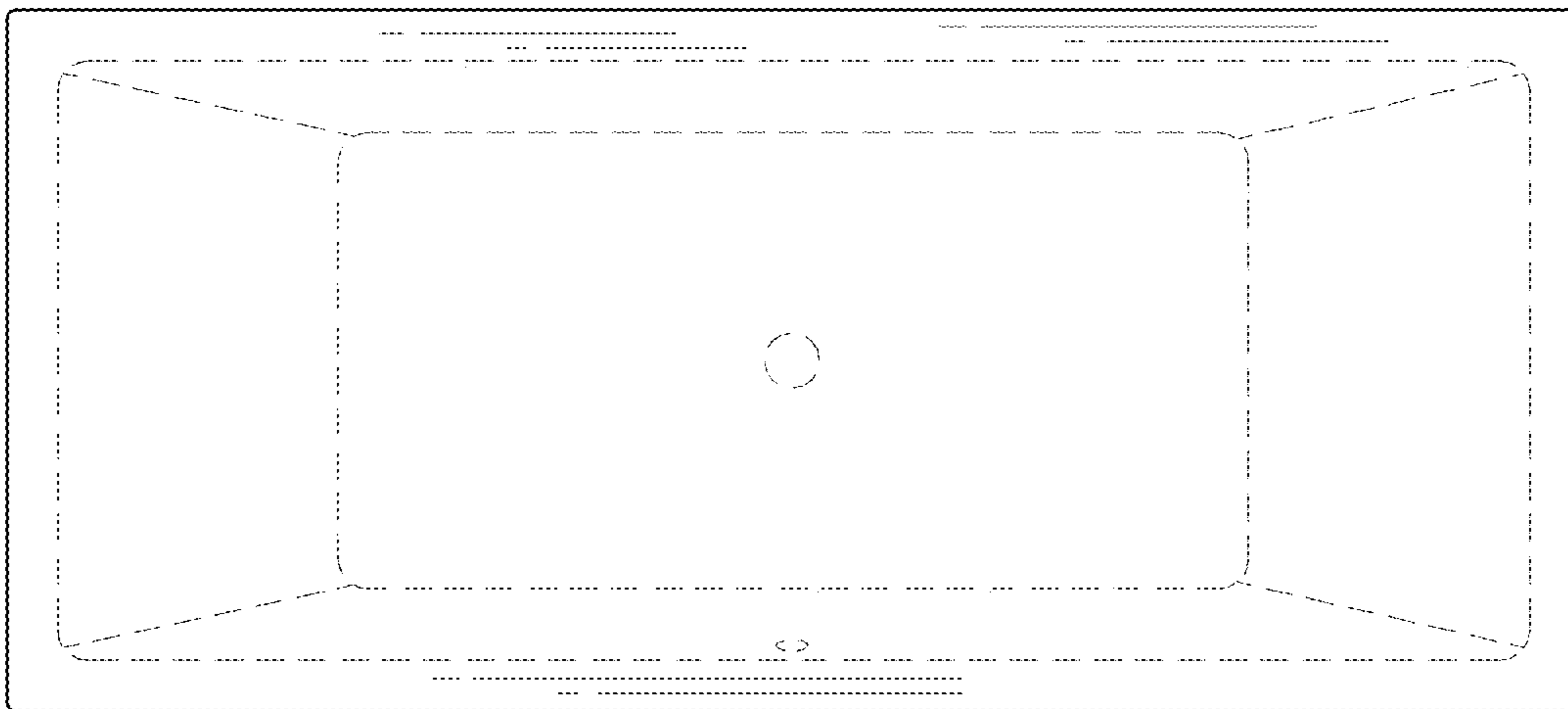


FIG. 4

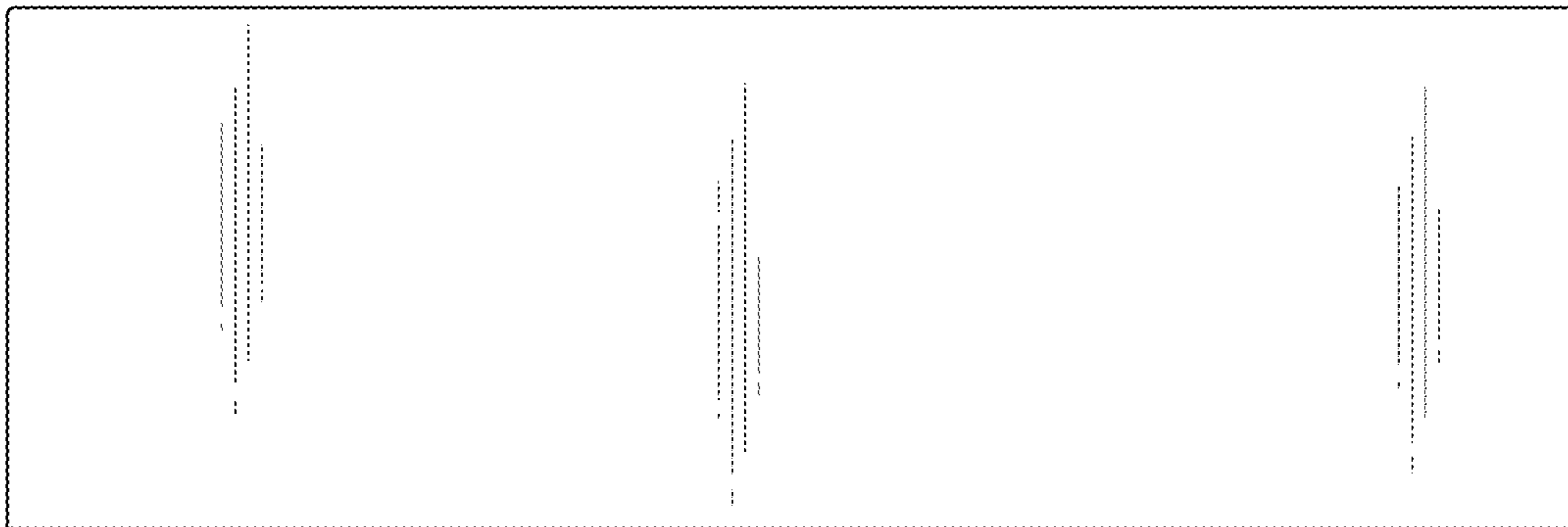


FIG. 5

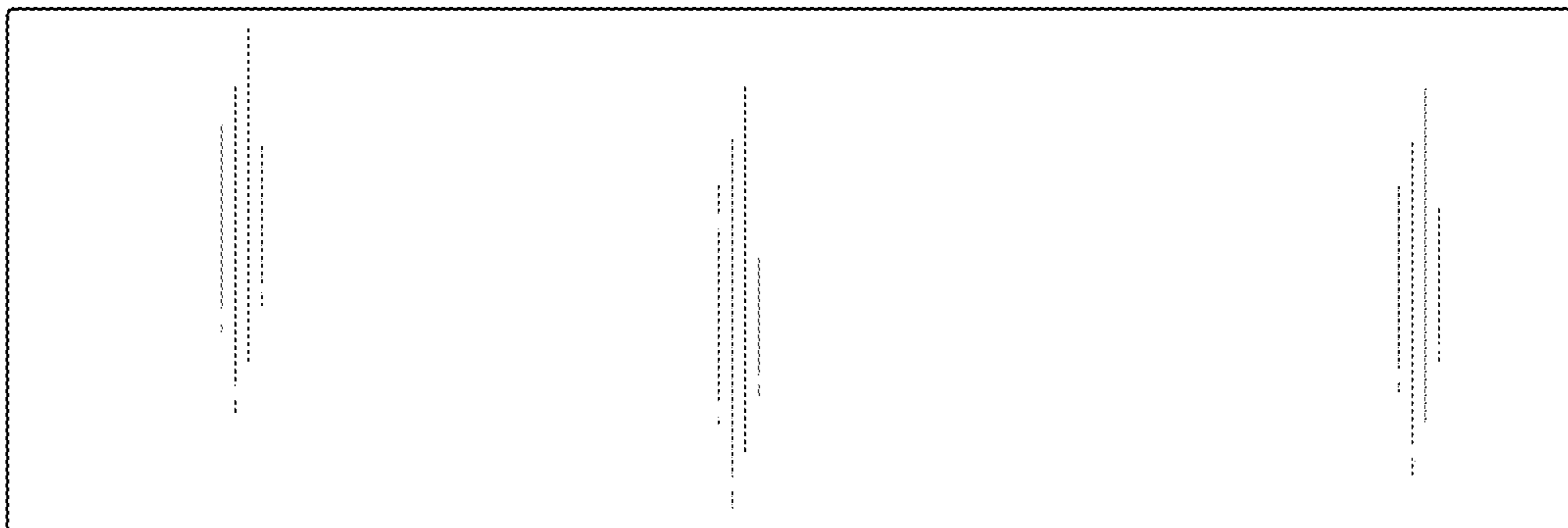


FIG. 6

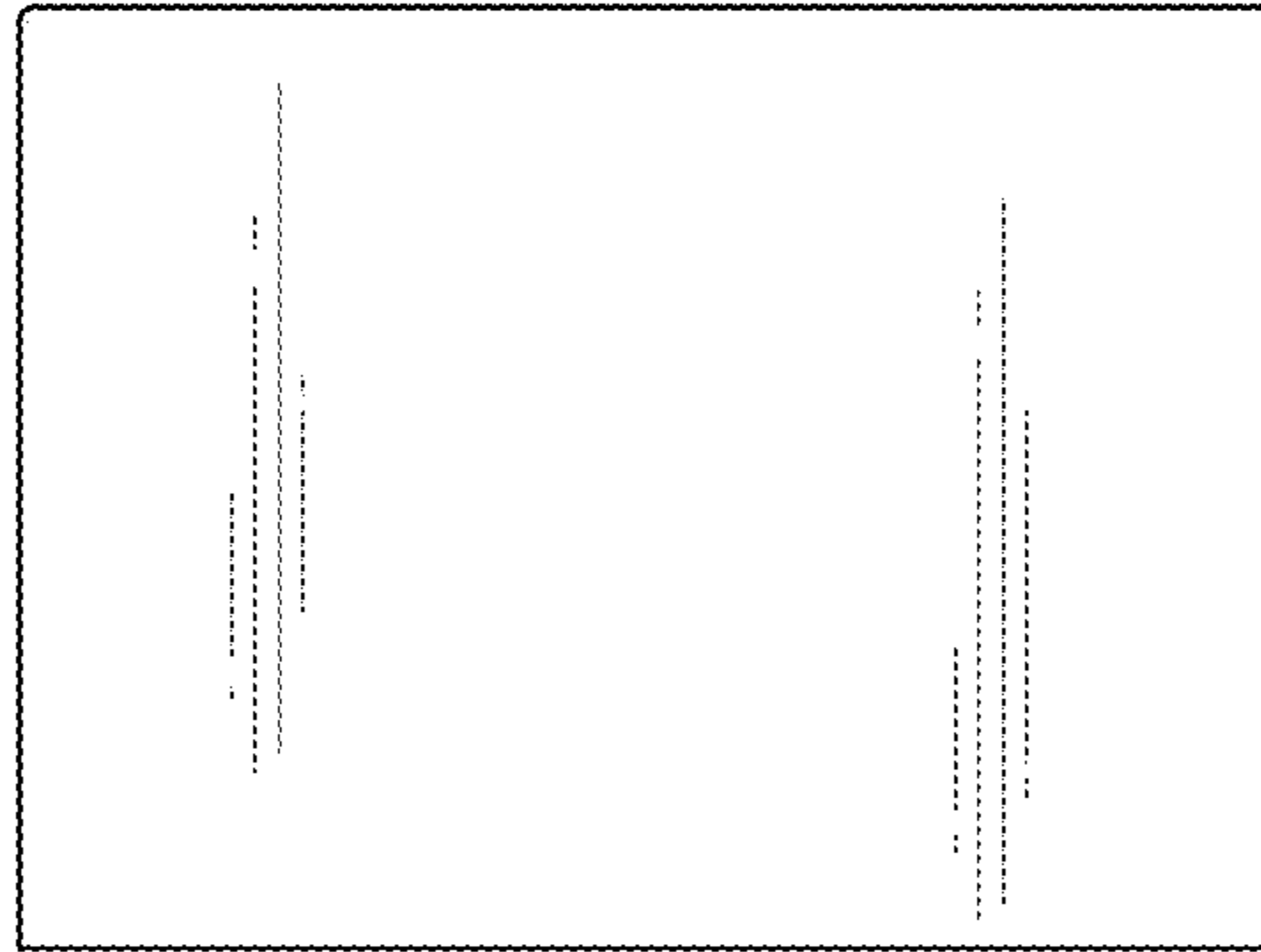


FIG. 7

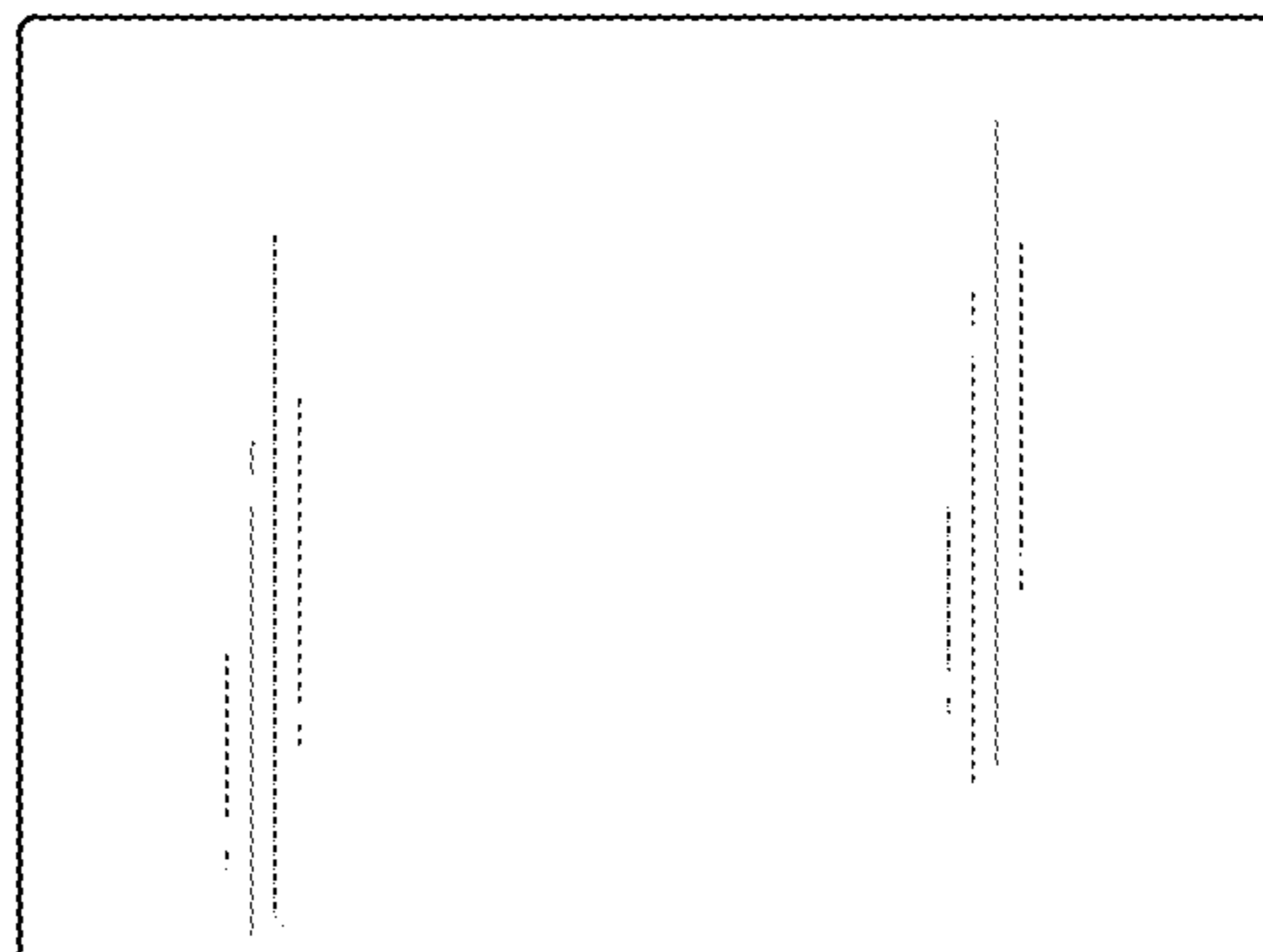


FIG. 8