



US00D933790S

(12) **United States Design Patent**  
**Robert et al.**

(10) **Patent No.:** **US D933,790 S**

(45) **Date of Patent:** **\*\* Oct. 19, 2021**

(54) **LAVATORY MODULE**

(71) Applicant: **DASSAULT AVIATION**, Paris (FR)

(72) Inventors: **Maxime Robert**, Paris (FR);  
**Jean-Remi Billon**, Paris (FR)

(73) Assignee: **DASSAULT AVIATION**, Paris (FR)

(\*\*) Term: **15 Years**

(21) Appl. No.: **29/647,884**

(22) Filed: **May 16, 2018**

(30) **Foreign Application Priority Data**

Nov. 29, 2017 (EM) ..... 004528123-0001

(51) **LOC (13) Cl.** ..... **23-02**

(52) **U.S. Cl.**  
USPC ..... **D23/271**

(58) **Field of Classification Search**

USPC ..... D6/642; D12/40, 43, 345, 195;  
D23/270, 271, 272, 273, 274, 284, 286,  
D23/288, 295, 32, 303, 305

CPC ..... B64D 11/00; B64D 11/02  
See application file for complete search history.

(56) **References Cited**

U.S. PATENT DOCUMENTS

D196,354 S \* 9/1963 Tiller ..... D23/274  
D198,740 S \* 7/1964 Tiller ..... D23/274

D199,048 S \* 9/1964 Tiller ..... D23/274  
D204,736 S \* 5/1966 Kirby ..... D23/271  
D486,565 S \* 2/2004 Itakura ..... D23/274  
D593,643 S \* 6/2009 Bock ..... D23/271  
D593,645 S \* 6/2009 Bock ..... D23/271  
D593,647 S \* 6/2009 Bock ..... D23/271  
D734,439 S \* 7/2015 Sethapun ..... D23/274  
D734,440 S \* 7/2015 Sethapun ..... D23/274  
D831,800 S \* 10/2018 Koyama ..... D23/303  
D831,801 S \* 10/2018 Koyama ..... D23/303  
D879,263 S \* 3/2020 Dirand ..... D23/271

\* cited by examiner

*Primary Examiner* — Jasmine Mlinarcik

(74) *Attorney, Agent, or Firm* — Davidson, Davidson & Kappel, LLC

(57) **CLAIM**

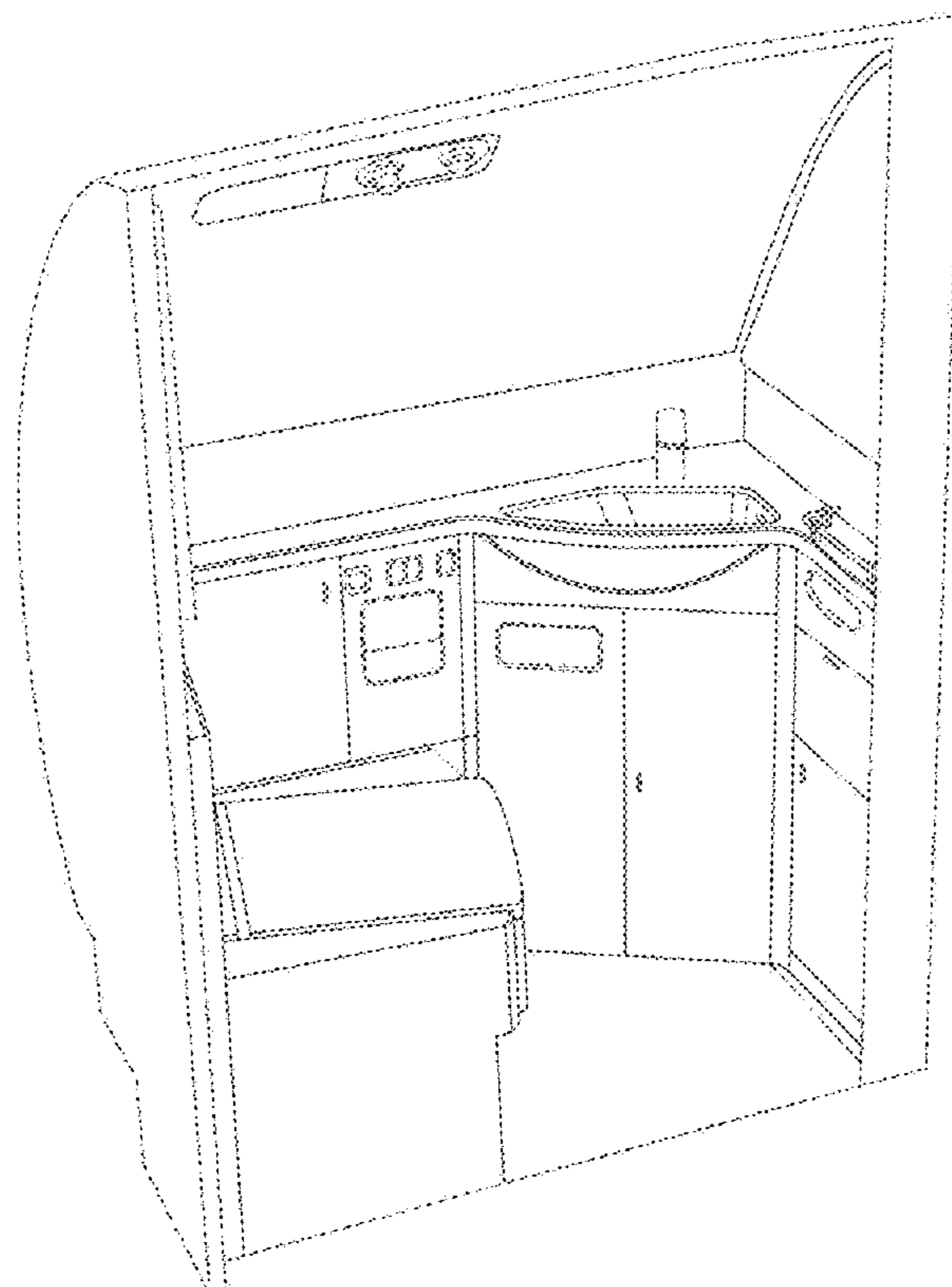
The ornamental design for lavatory module, as shown and described.

**DESCRIPTION**

FIG. 1 is a front perspective view of the claimed design;  
FIG. 2 is a front elevation view of the claimed design;  
FIG. 3 is a cross-sectional view of a right side of the claimed design as taken along 3-3 in FIG. 2;  
FIG. 4 is cross-sectional view of a left side of the claimed design along 4-4 in FIG. 2; and,  
FIG. 5 is a cross-sectional downward facing view of the claimed design along 5-5 in FIG. 2.

The broken line representations in the figures depict portions of the article that form no part of the claimed design.

**1 Claim, 5 Drawing Sheets**



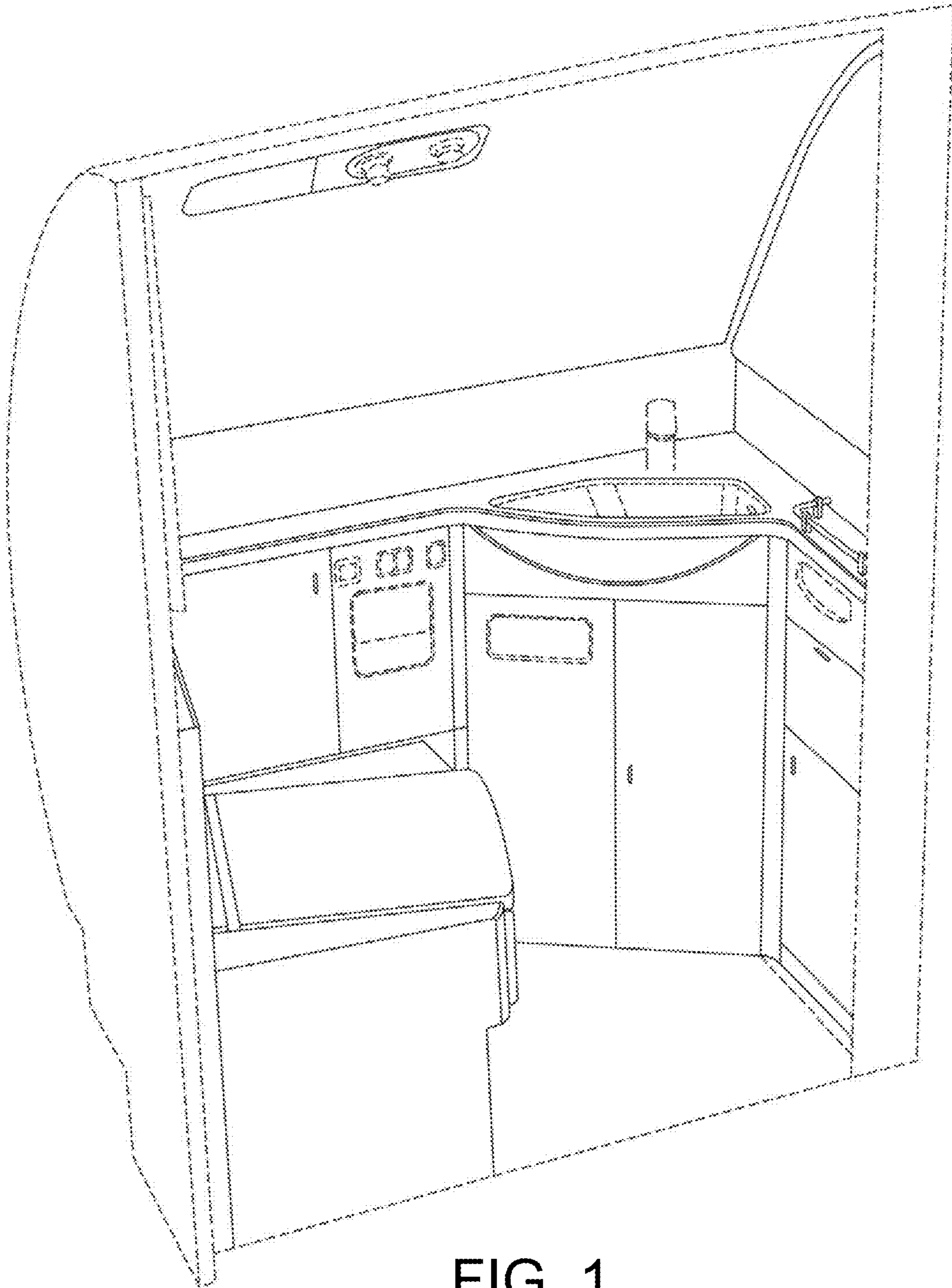


FIG. 1

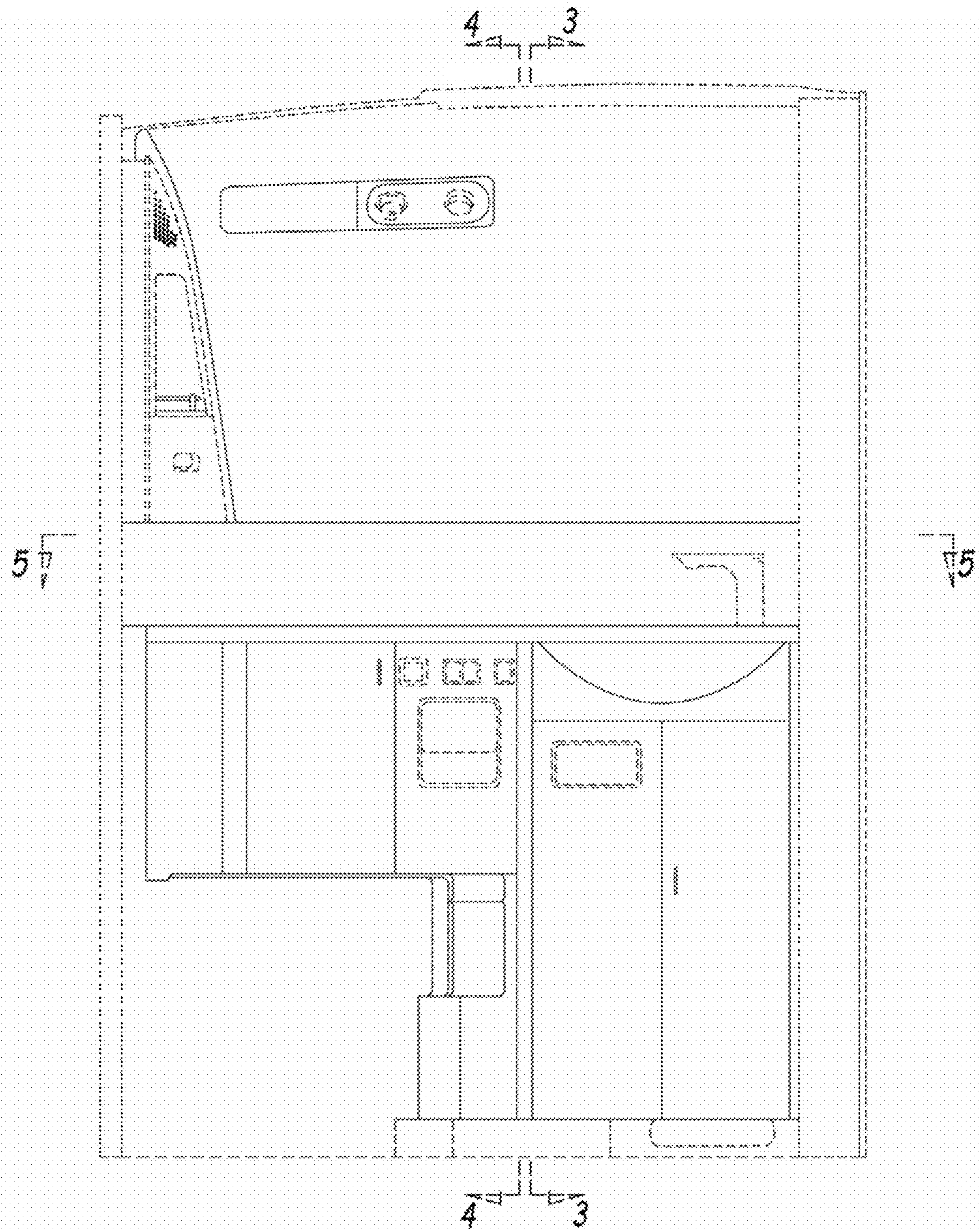


FIG. 2

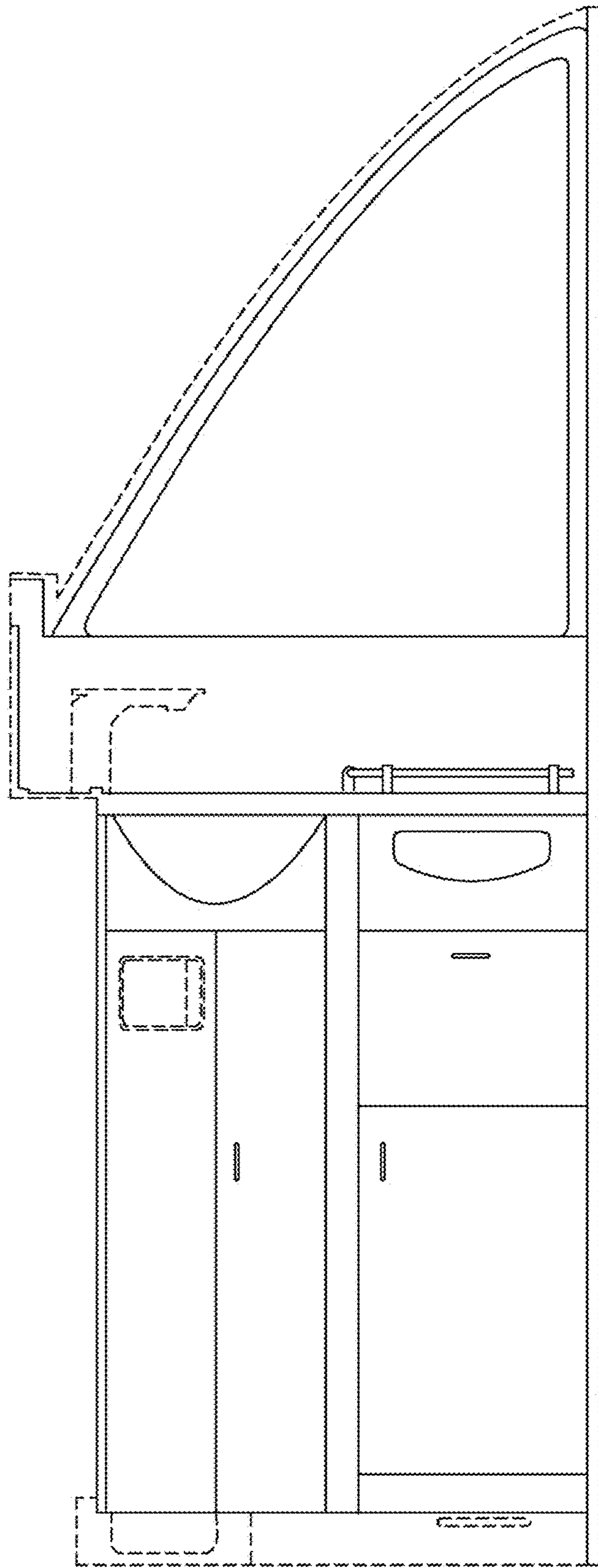


FIG. 3

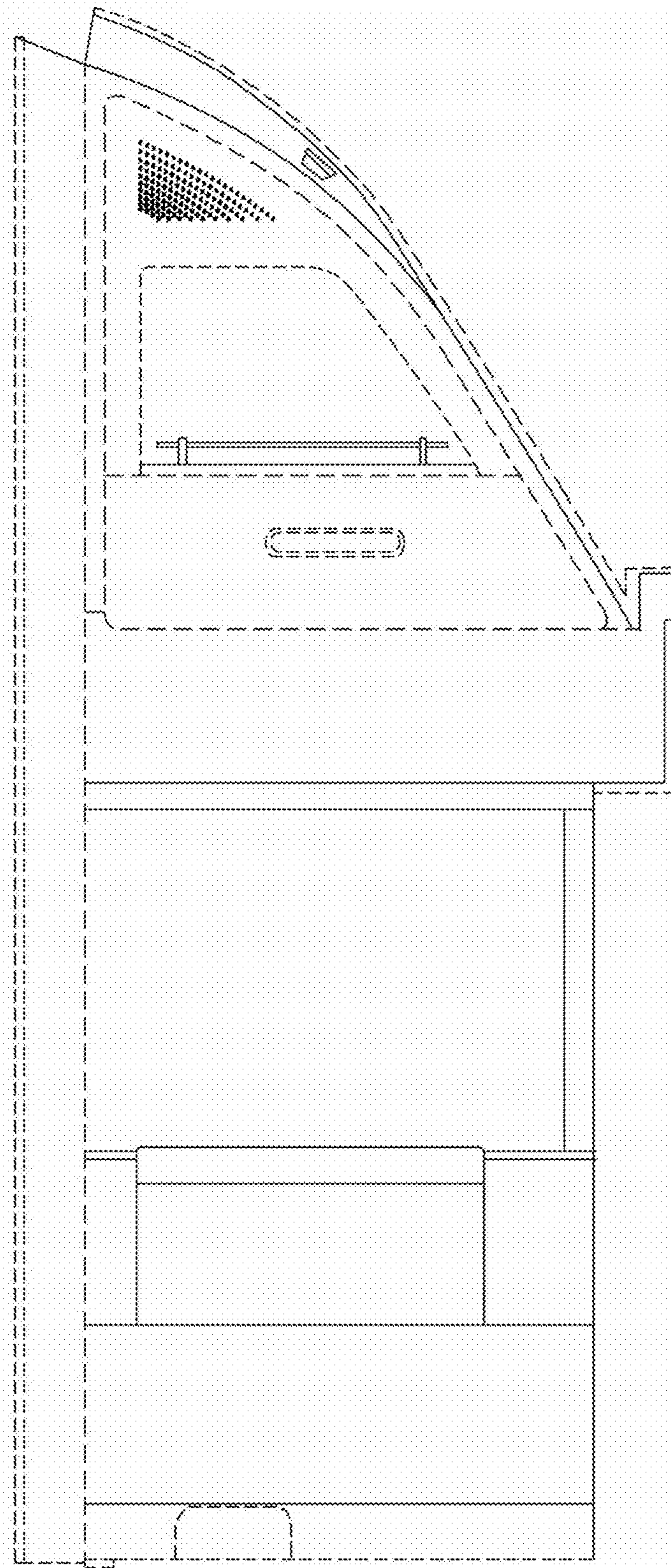


FIG. 4

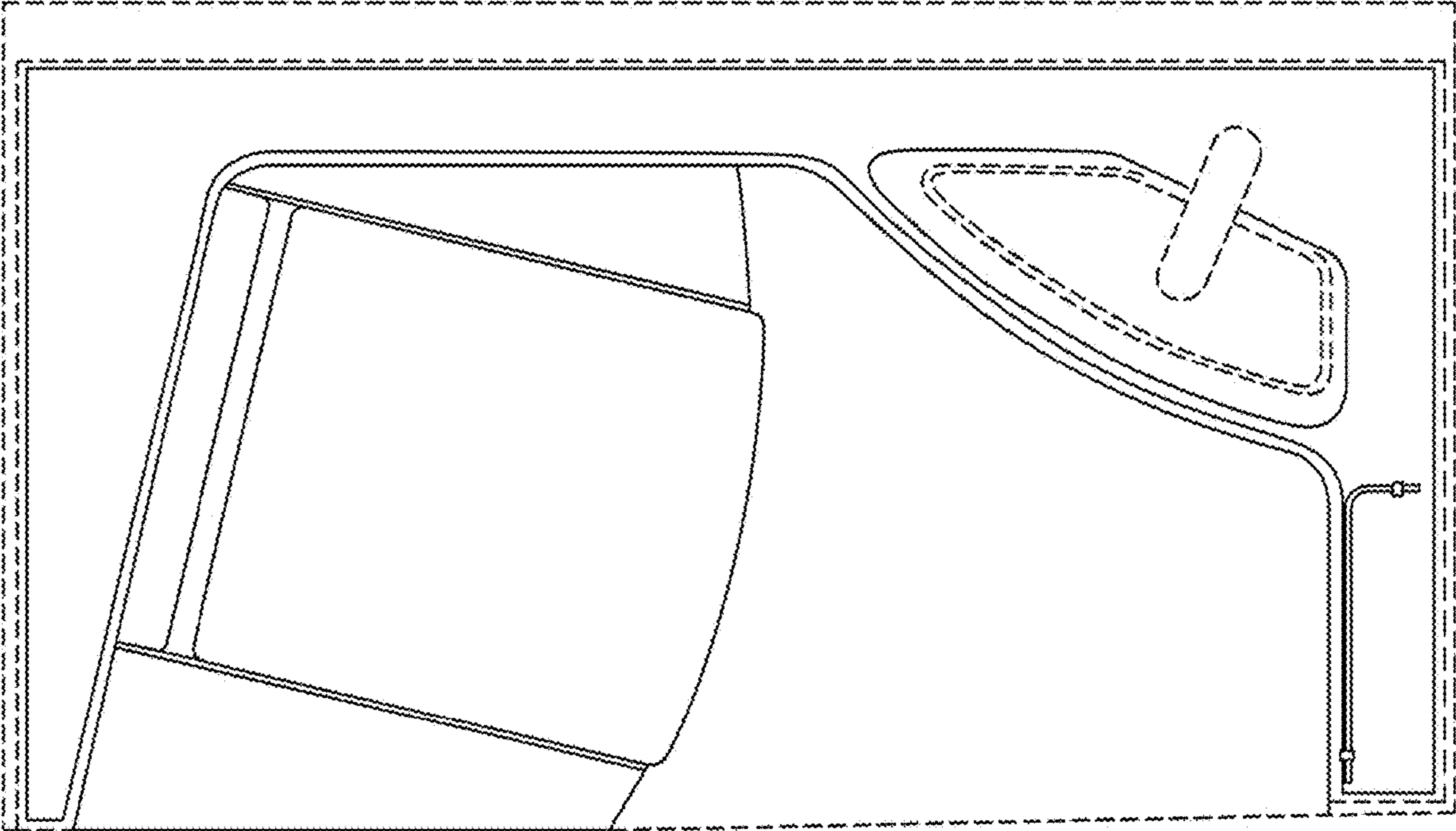


FIG. 5