



US00D933788S

(12) **United States Design Patent** (10) **Patent No.:** **US D933,788 S**  
**Banks** (45) **Date of Patent:** **\*\* Oct. 19, 2021**

(54) **PIPE CAP FOR DRAIN PIPE OUTLET**  
(71) Applicant: **Douglas W. Banks**, Hurdle Mills, NC (US)  
(72) Inventor: **Douglas W. Banks**, Hurdle Mills, NC (US)  
(\*\*) Term: **15 Years**  
(21) Appl. No.: **29/714,912**  
(22) Filed: **Nov. 26, 2019**  
(51) **LOC (13) Cl.** ..... **23-01**  
(52) **U.S. Cl.**  
USPC ..... **D23/260; D23/259**  
(58) **Field of Classification Search**  
USPC ..... D23/259-260, 209, 213, 245, 249, D23/261-262; D9/434-435, 438-439; 210/435, 439, 449, 459, 460, 475; 285/86-93, 179, 114-116, 388; 52/302.1; 138/40-41, 89-90, 96 R, 96 T; 454/367  
CPC ..... B01D 2201/04; B01D 35/04; E03F 5/14; F24F 13/082  
See application file for complete search history.

(56) **References Cited**  
U.S. PATENT DOCUMENTS  
2,825,276 A \* 3/1958 Porter ..... F16K 24/04 454/367  
4,184,414 A \* 1/1980 Jarnot ..... F24F 7/02 454/275  
D336,952 S \* 6/1993 Raneo ..... D23/393  
5,284,586 A \* 2/1994 DeSalvo ..... B01D 29/012 210/448  
5,427,417 A \* 6/1995 Lechuga ..... E03C 1/12 210/153  
D370,723 S \* 6/1996 Nishizawa ..... D23/387  
D486,891 S \* 2/2004 Cronce, Jr. .... D23/260

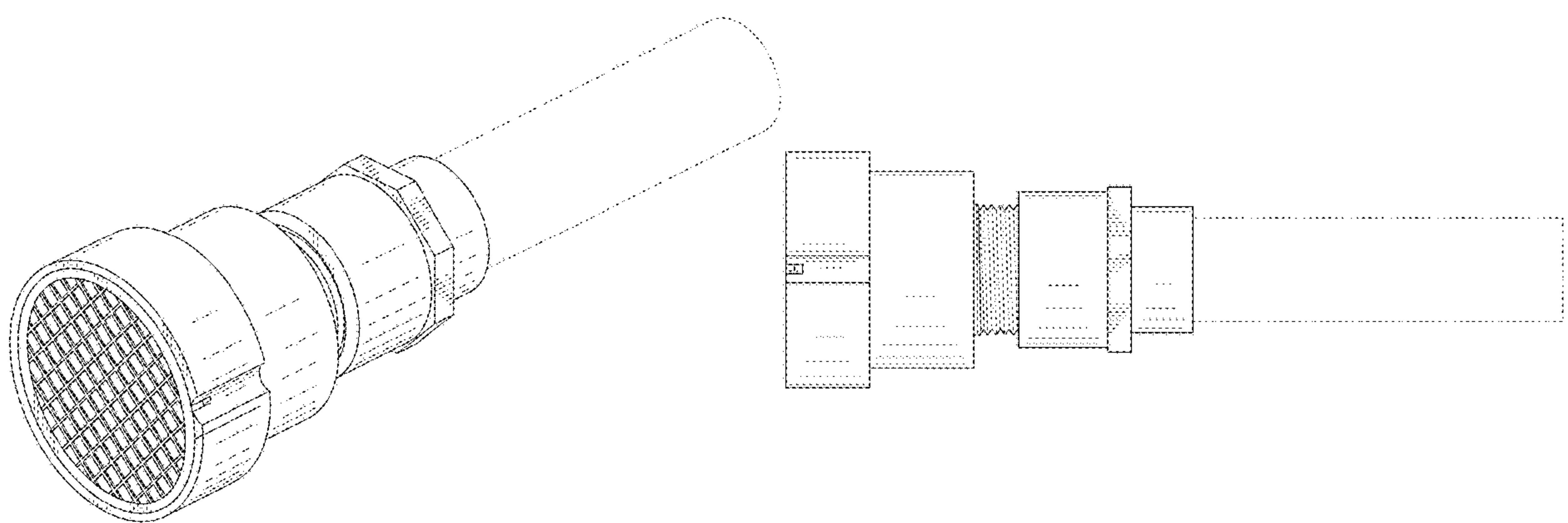
7,143,898 B1 \* 12/2006 Hoaglin ..... B01D 29/035 210/460  
D655,792 S \* 3/2012 Teixeira ..... D23/260  
D677,376 S \* 3/2013 Wolff ..... D23/393  
D715,409 S \* 10/2014 Raimondi ..... D23/259  
10,989,437 B1 \* 4/2021 Dolan ..... F24F 13/082  
2012/0258656 A1 \* 10/2012 Raimondi ..... F24F 13/082 454/367

\* cited by examiner  
*Primary Examiner* — Amy C Wierenga  
(74) *Attorney, Agent, or Firm* — Taylor English Duma LLP

(57) **CLAIM**  
The ornamental design for a pipe cap for drain pipe outlet, as shown and described.

**DESCRIPTION**  
FIG. 1 is a front perspective view of a pipe cap for drain pipe outlet showing my new design;  
FIG. 2 is a left side elevation view of the pipe end cap as shown in FIG. 1 showing my new design;  
FIG. 3 is a right side elevation view of the pipe end cap as shown in FIG. 1 showing my new design;  
FIG. 4 is a top plan view of the pipe end cap as shown in FIG. 1 showing my new design, the bottom plan view being a mirror image thereof;  
FIG. 5 is a front elevation view of the pipe end cap as shown in FIG. 1 showing my new design; and,  
FIG. 6 is a rear elevation view of the pipe end cap as shown in FIG. 1 showing my new design.  
The broken lines shown in the drawings illustrate environmental structure and forms no part of the claimed design.

**1 Claim, 5 Drawing Sheets**



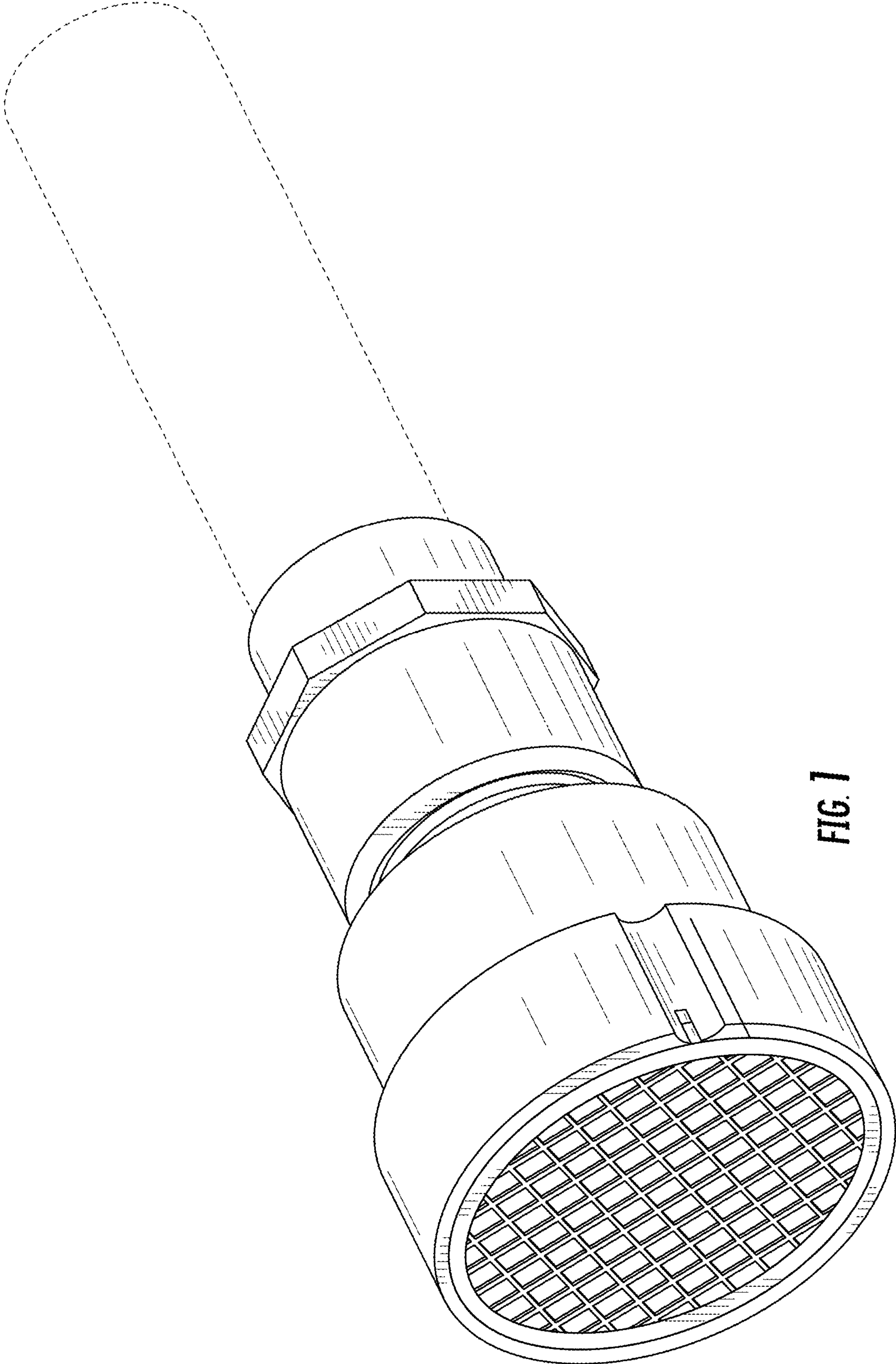


FIG. 1

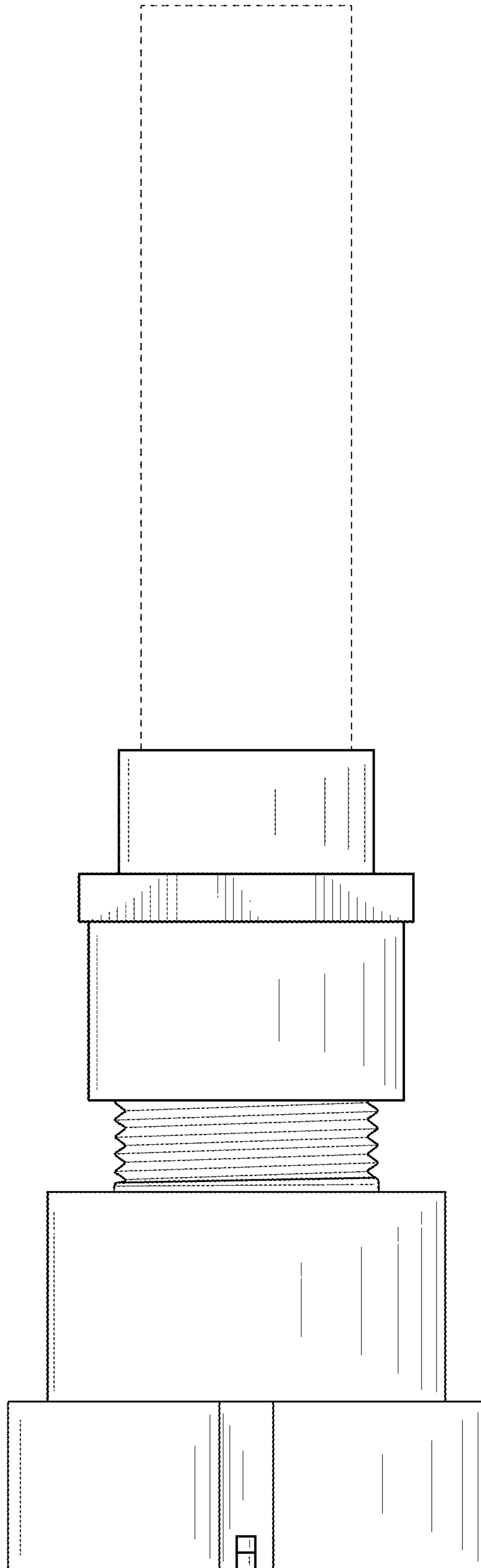


FIG. 2

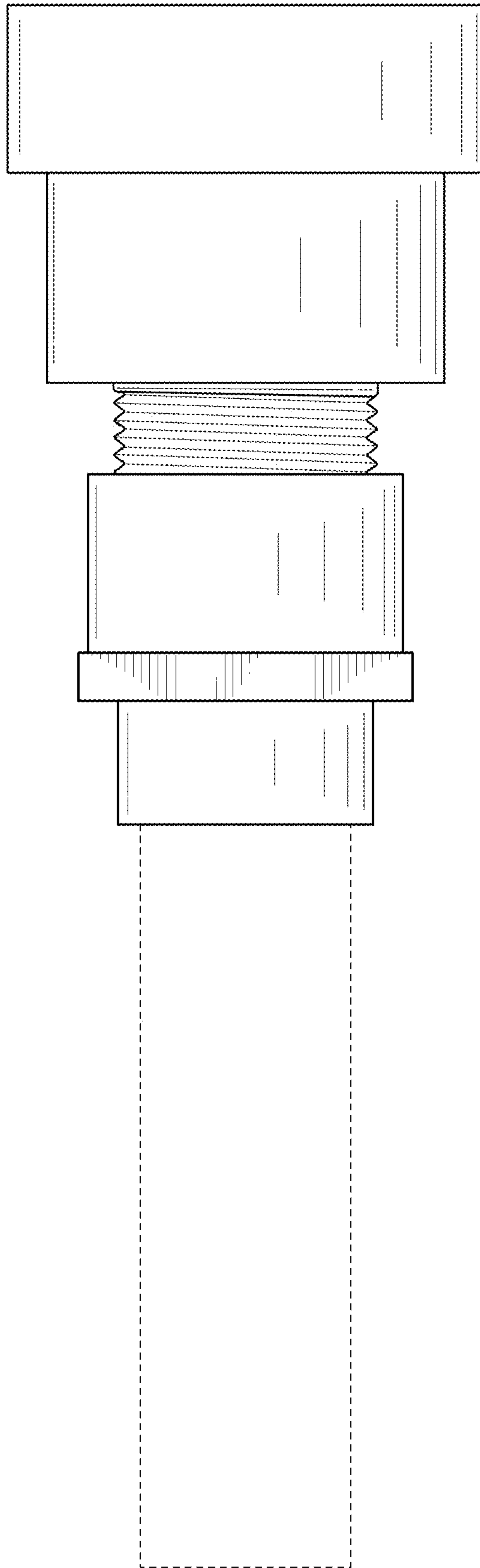
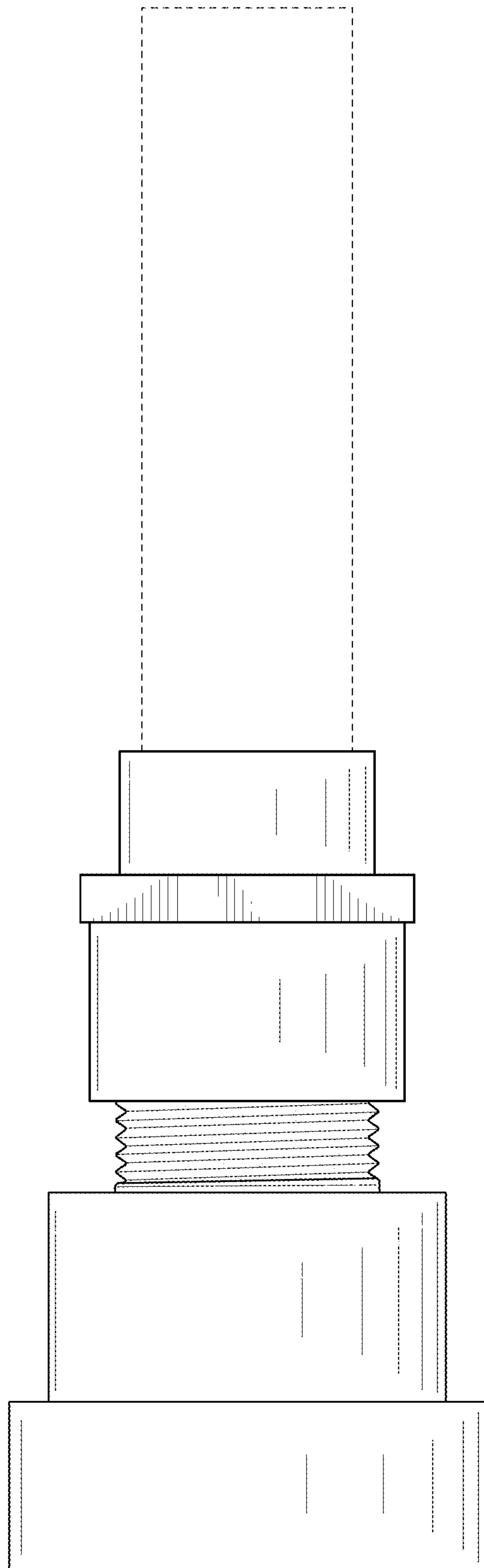
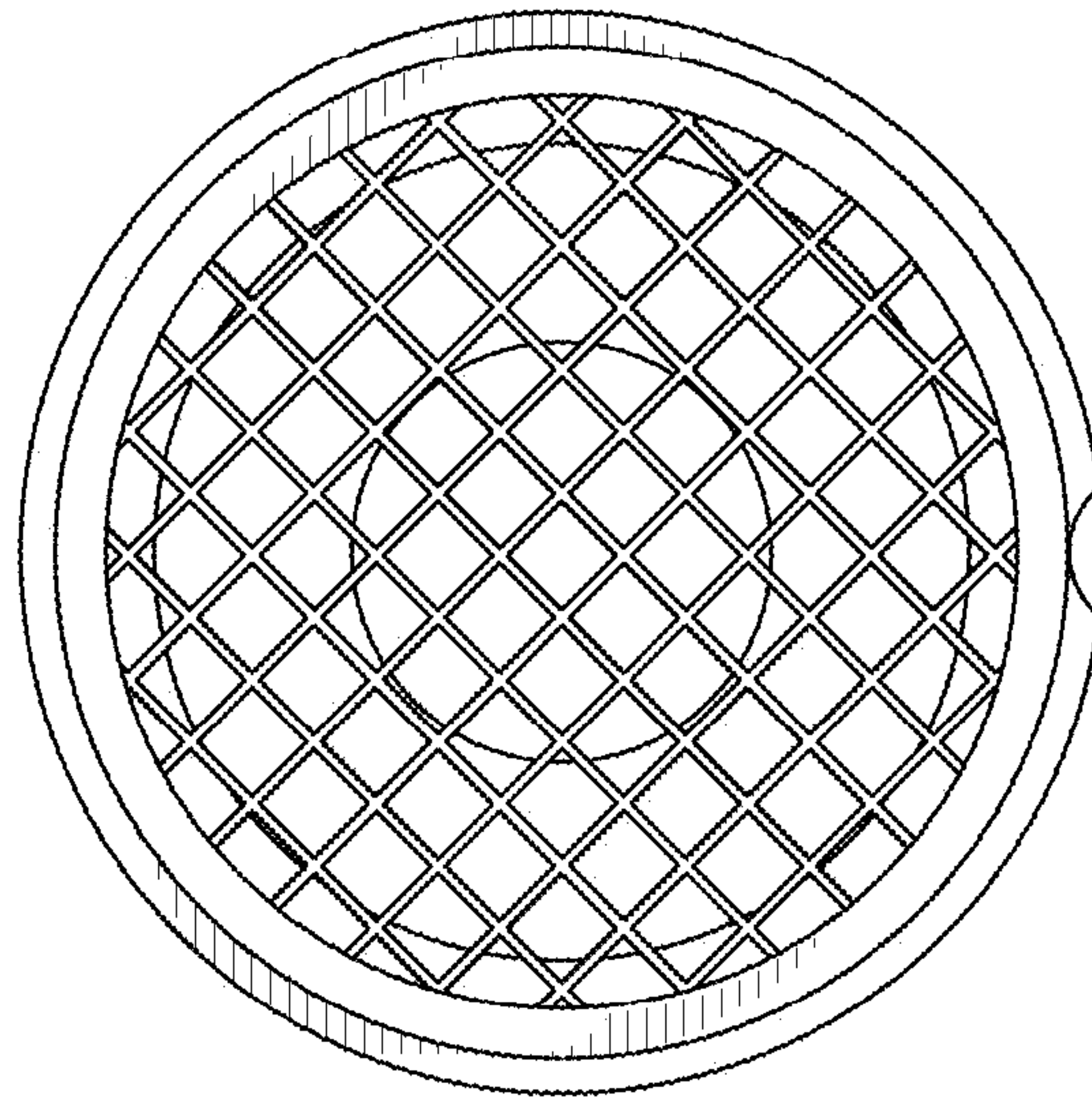


FIG. 3

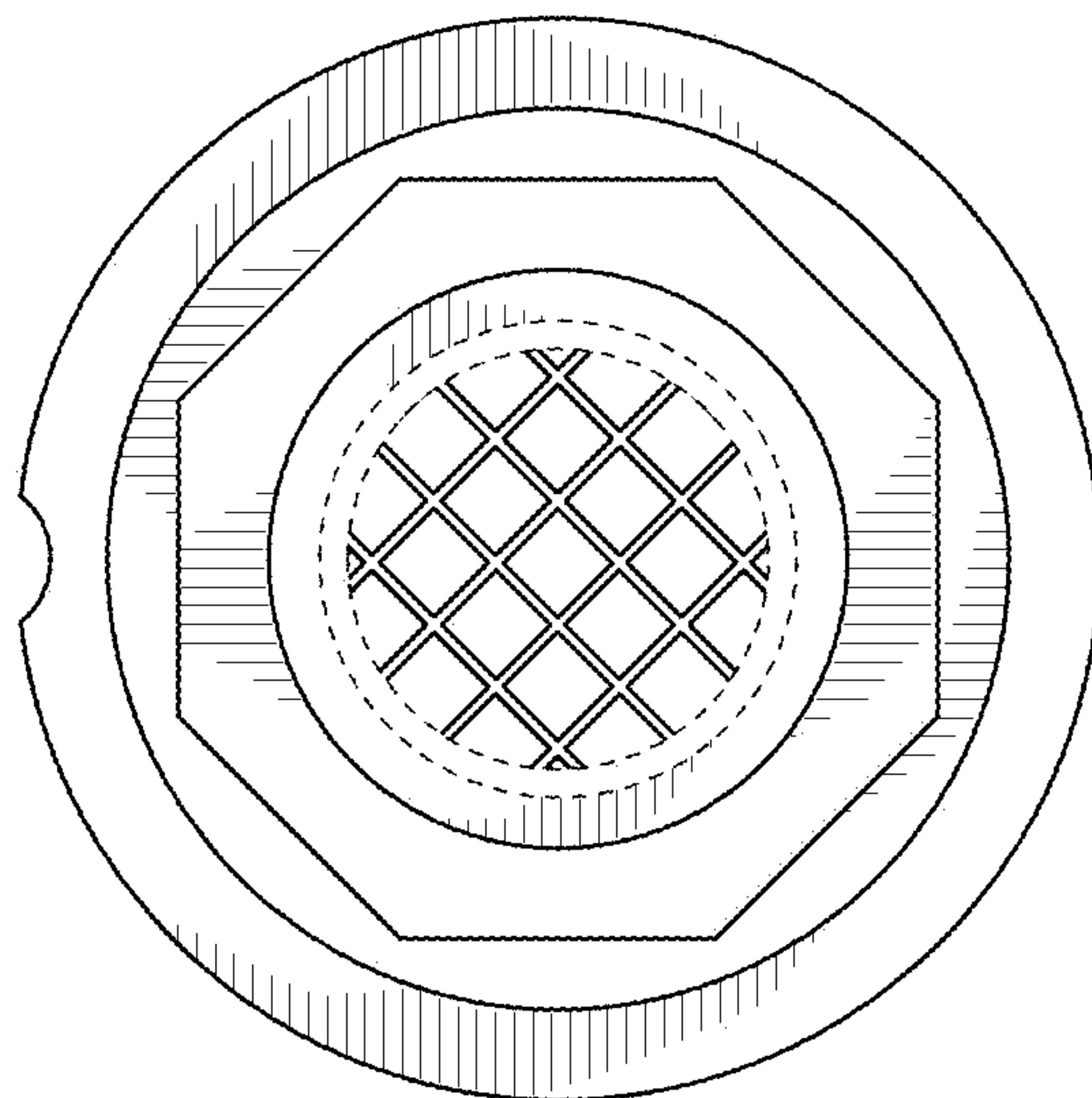


**FIG. 4**





**FIG. 5**



**FIG. 6**