



US00D933787S

(12) **United States Design Patent** (10) **Patent No.:** **US D933,787 S**
Pan (45) **Date of Patent:** **** Oct. 19, 2021**

(54) **FAUCET**

(71) Applicant: **Sheng Tai Brassware Co., Ltd.**,
Changhua Hsien (TW)

(72) Inventor: **Chin-Chi Pan**, Changhua Hsien (TW)

(73) Assignee: **Sheng Tai Brassware Co., Ltd.**,
Changhua Hsien (TW)

(**) Term: **15 Years**

(21) Appl. No.: **29/710,251**

(22) Filed: **Oct. 22, 2019**

(51) **LOC (13) Cl.** **23-01**

(52) **U.S. Cl.**
USPC **D23/255**

(58) **Field of Classification Search**
USPC D23/257, 249, 254, 259, 255, 233, 234,
D23/235, 236, 237, 238, 239, 240, 241,
D23/242, 243, 244, 245, 246, 247, 248,
D23/250, 251, 252, 253, 256
CPC E03C 1/01; E03C 1/0409; E03C 1/025;
E03C 1/0408; Y10T 137/5339; Y10T
137/6014; Y10T 137/6021
See application file for complete search history.

(56) **References Cited**

U.S. PATENT DOCUMENTS

D527,807 S	*	9/2006	Haug	D23/255
D557,384 S	*	12/2007	Garner	D23/255
D592,287 S	*	5/2009	Lammel	D23/255
D601,229 S	*	9/2009	Schoenherr	D23/255
D641,072 S	*	7/2011	Flowers	D23/255
D643,095 S	*	8/2011	Matsuura	D23/242
D647,179 S	*	10/2011	Flowers	D23/255
D767,733 S	*	9/2016	Hong	D23/255
D787,644 S	*	5/2017	Hong	D23/255
D798,421 S	*	9/2017	Eads	D23/257
D800,274 S	*	10/2017	Andrew	D23/255
D810,244 S	*	2/2018	Schoenherr	D23/255
D912,211 S	*	3/2021	Liu	D23/238

FOREIGN PATENT DOCUMENTS

WO WO-D070857-002 * 9/2008

OTHER PUBLICATIONS

Amazon, Hudson Reed Wall Mounted Basin Mixer, posted Oct. 1, 2019, [online], [visited May 20, 2021], Internet, <URL: https://www.amazon.co.uk/Hudson-Reed-AST328-Bathroom-Mounted/dp/B07YM55XVV/ref> (Year: 2019).*

* cited by examiner

Primary Examiner — Sheryl Lane

Assistant Examiner — Samantha N Wood

(74) *Attorney, Agent, or Firm* — Alan D. Kamrath; Karin L. Williams; Mayer & Williams PC

(57) **CLAIM**

The ornamental design for a faucet, as shown and described.

DESCRIPTION

FIG. 1 is a perspective view of a faucet, showing my new design;

FIG. 2 is another perspective view thereof;

FIG. 3 is a front view thereof;

FIG. 4 is a rear view thereof;

FIG. 5 is a left side view thereof;

FIG. 6 is a right side view thereof;

FIG. 7 is a top view thereof;

FIG. 8 is a bottom view thereof;

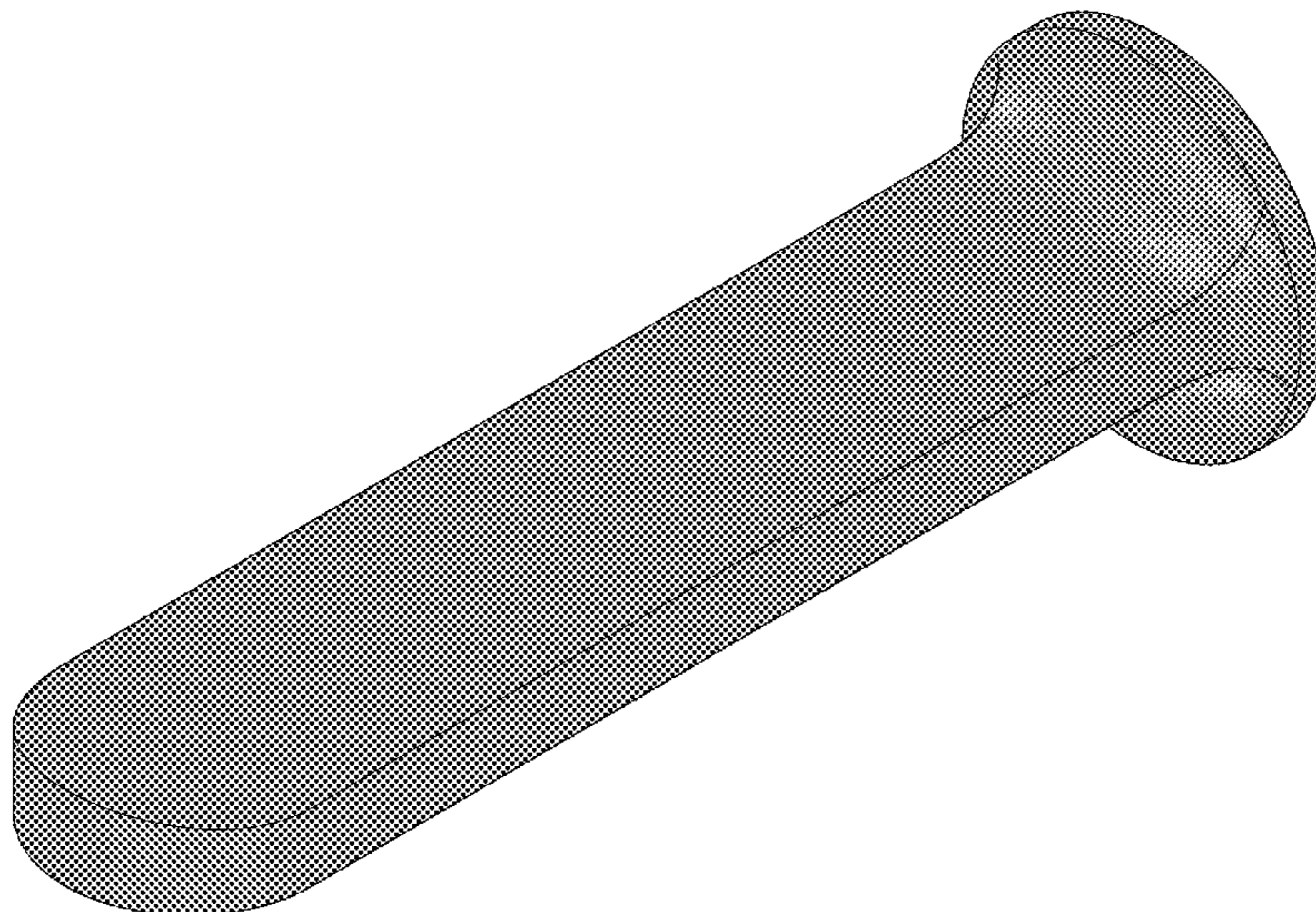
FIG. 9 is a perspective view thereof shown in an exemplary environment; and,

FIG. 10 is another perspective view thereof shown in an exemplary environment.

The broken lines are included for the purpose of illustrating portions of the faucet and form no part of the claimed design.

The dash-dot-dot broken lines are included for the purpose of illustrating environmental structure and form no part of the claimed design.

1 Claim, 10 Drawing Sheets



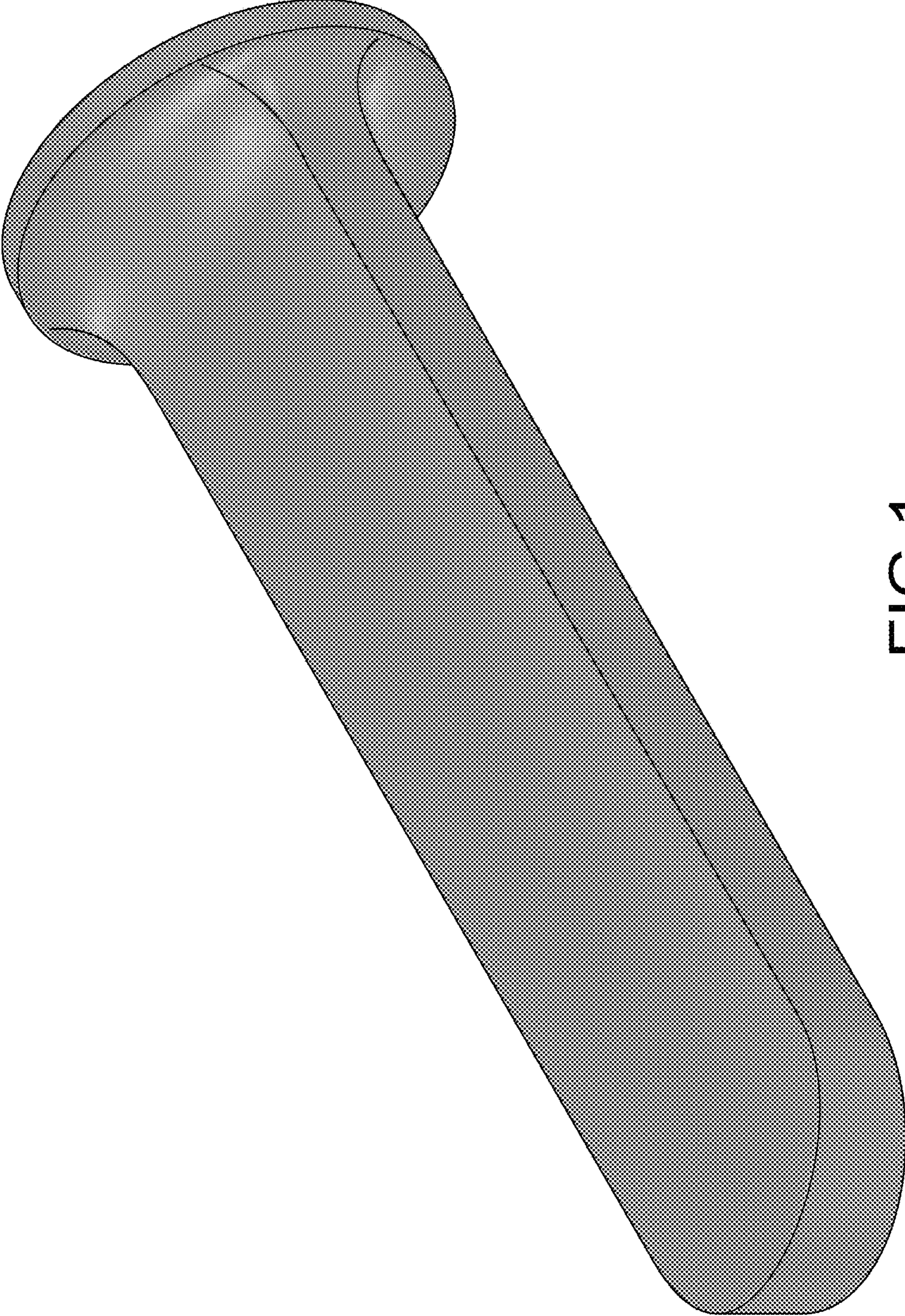


FIG.1

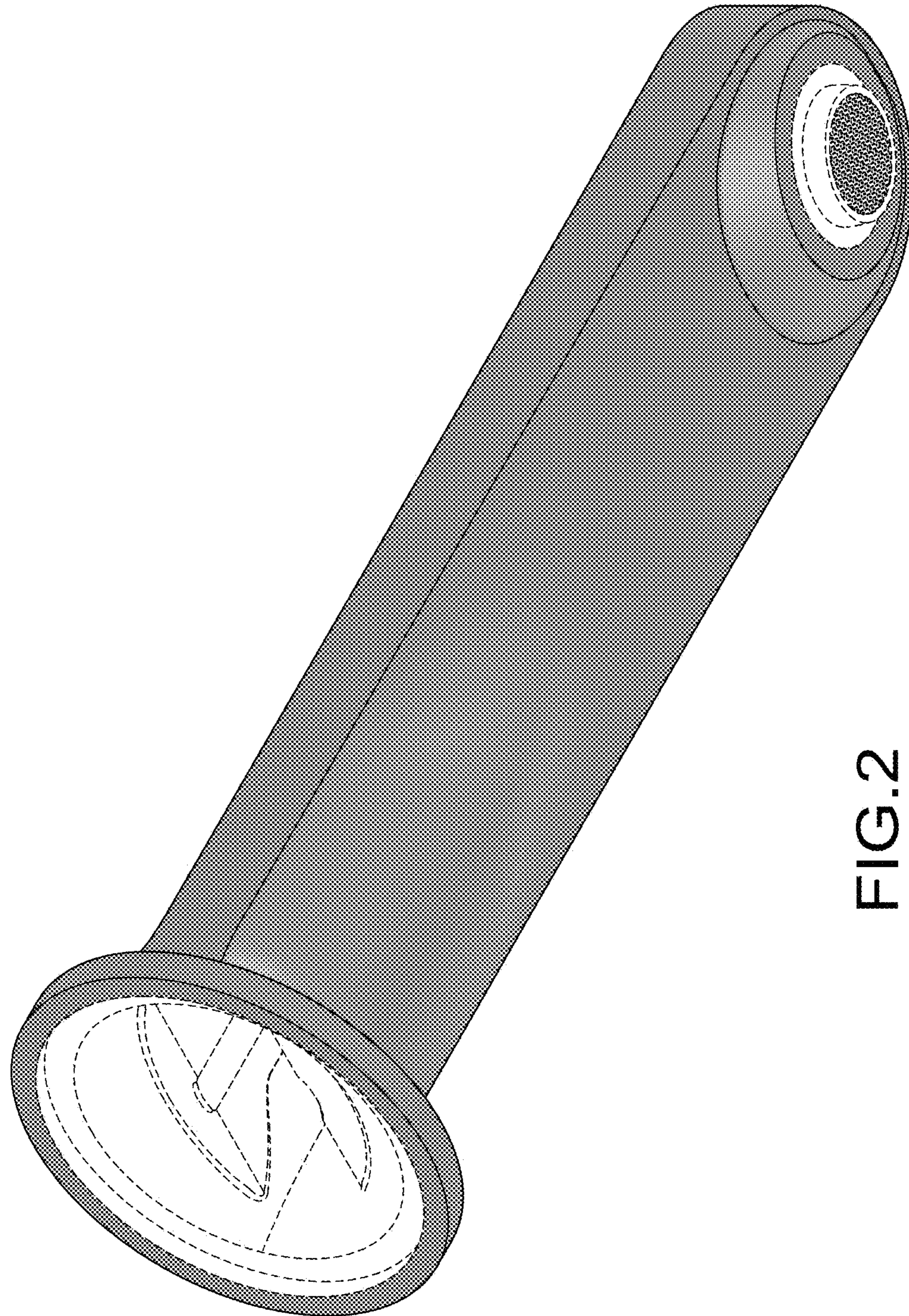


FIG.2

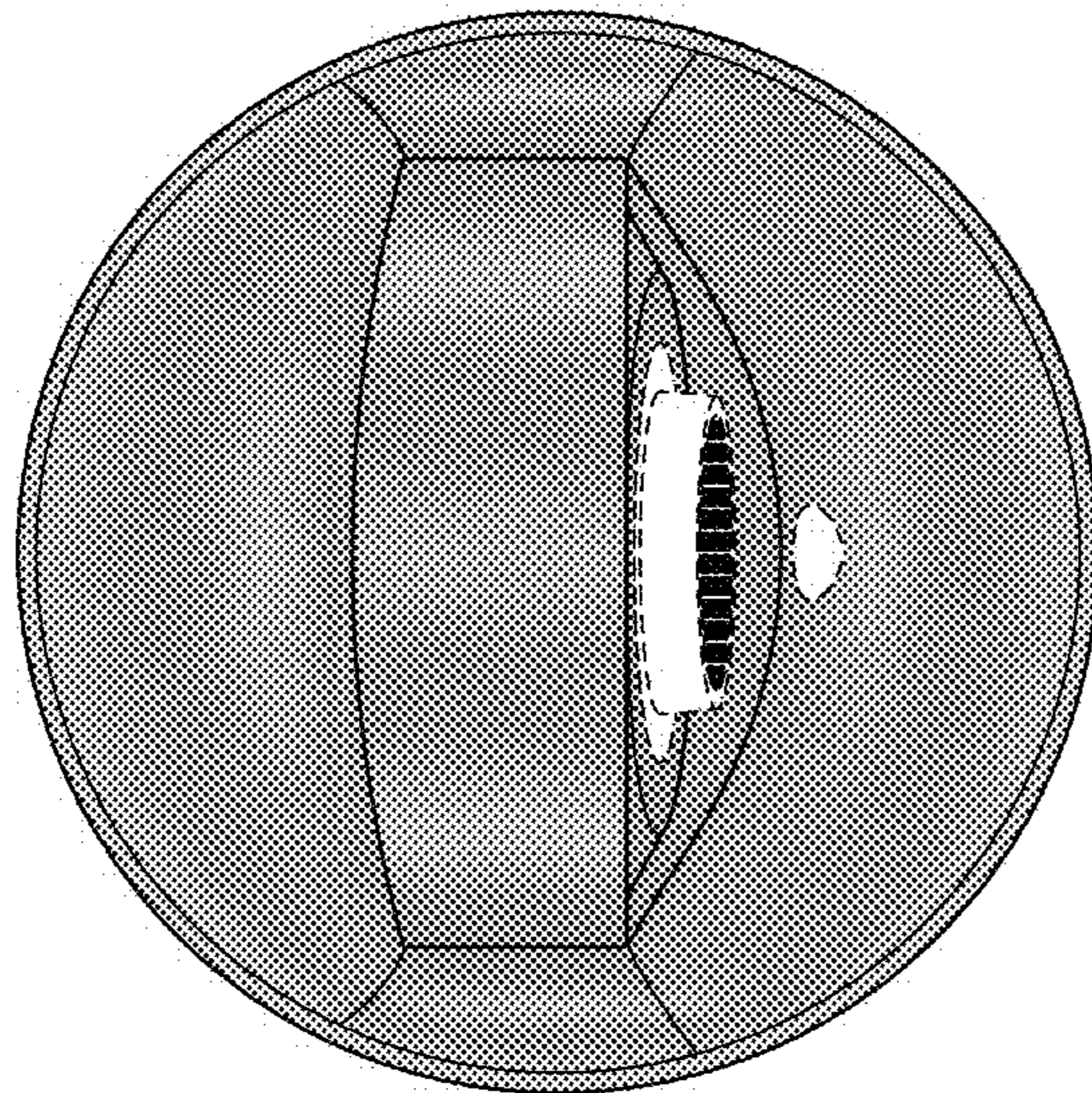


FIG.3

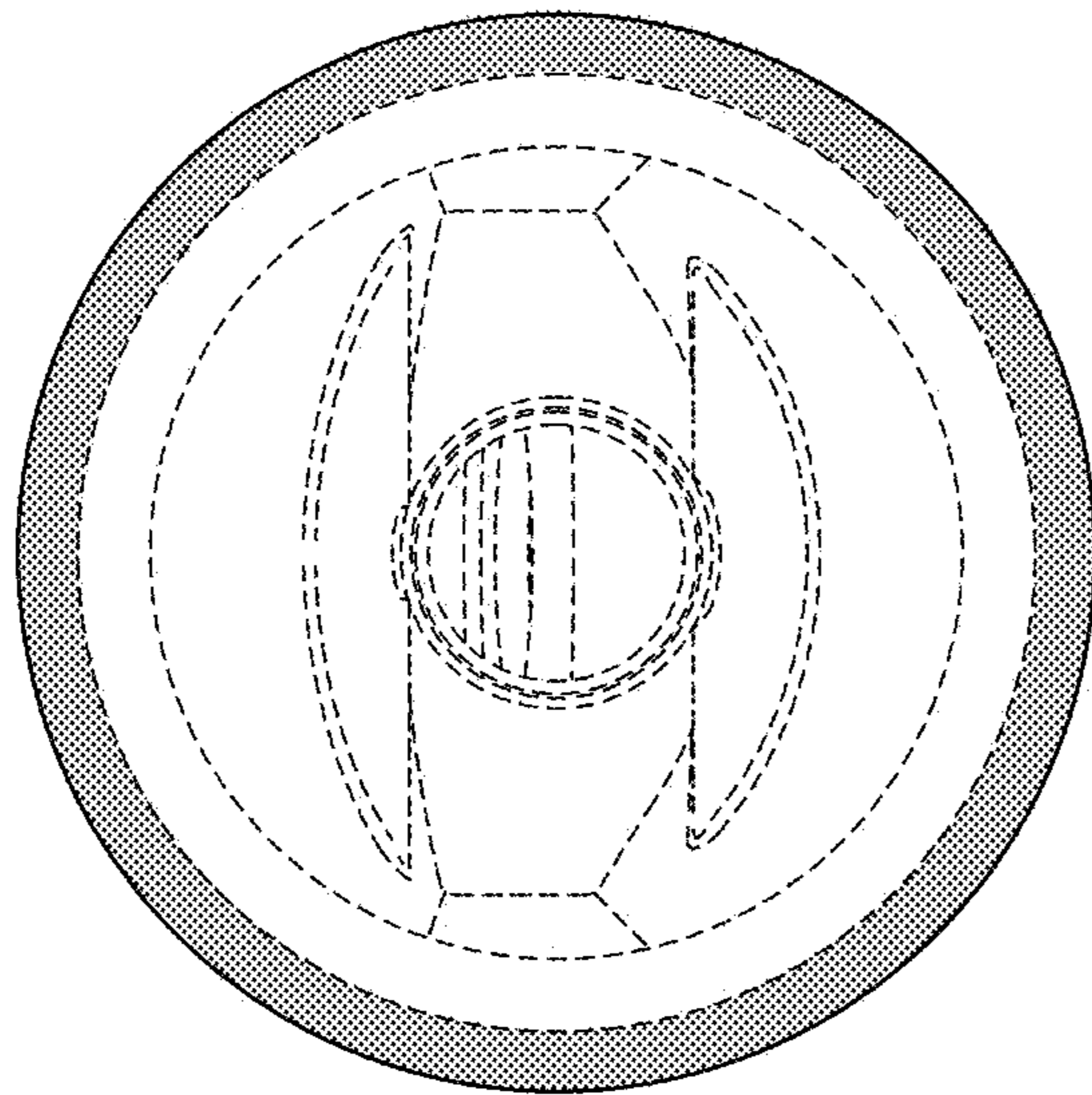


FIG. 4

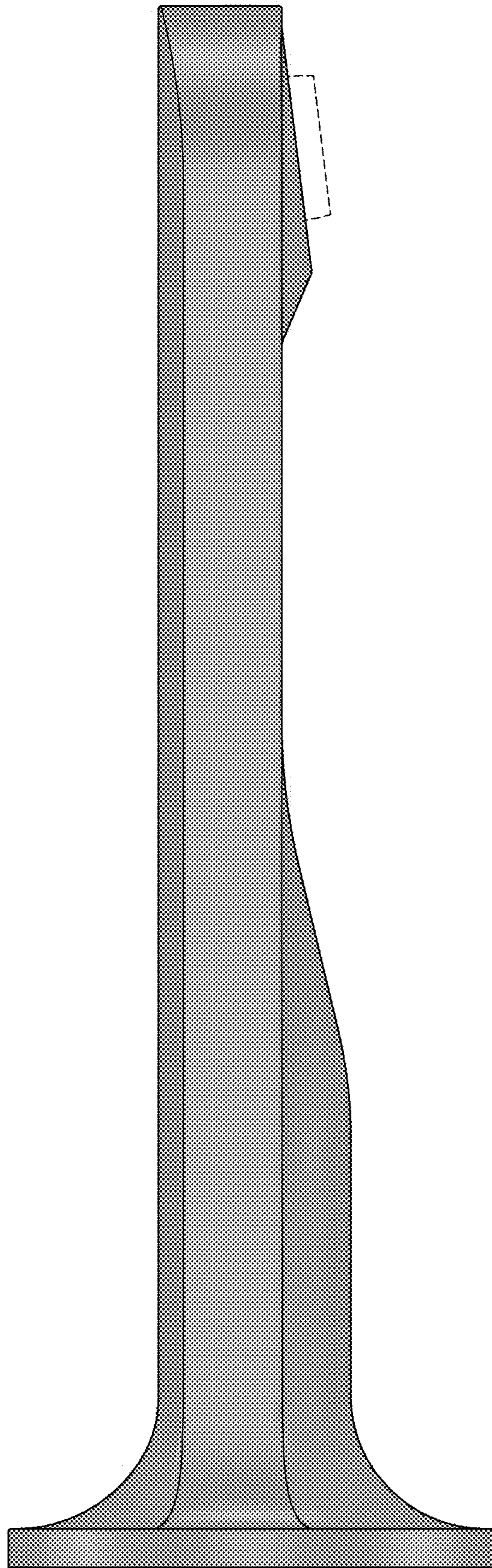


FIG.5

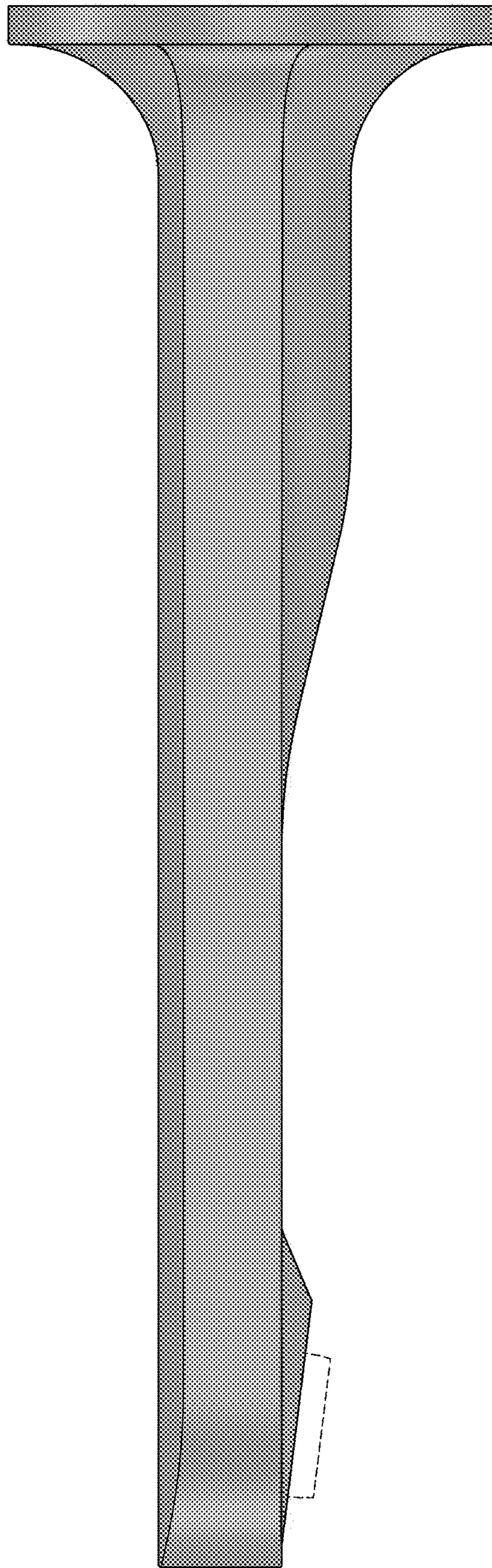


FIG.6

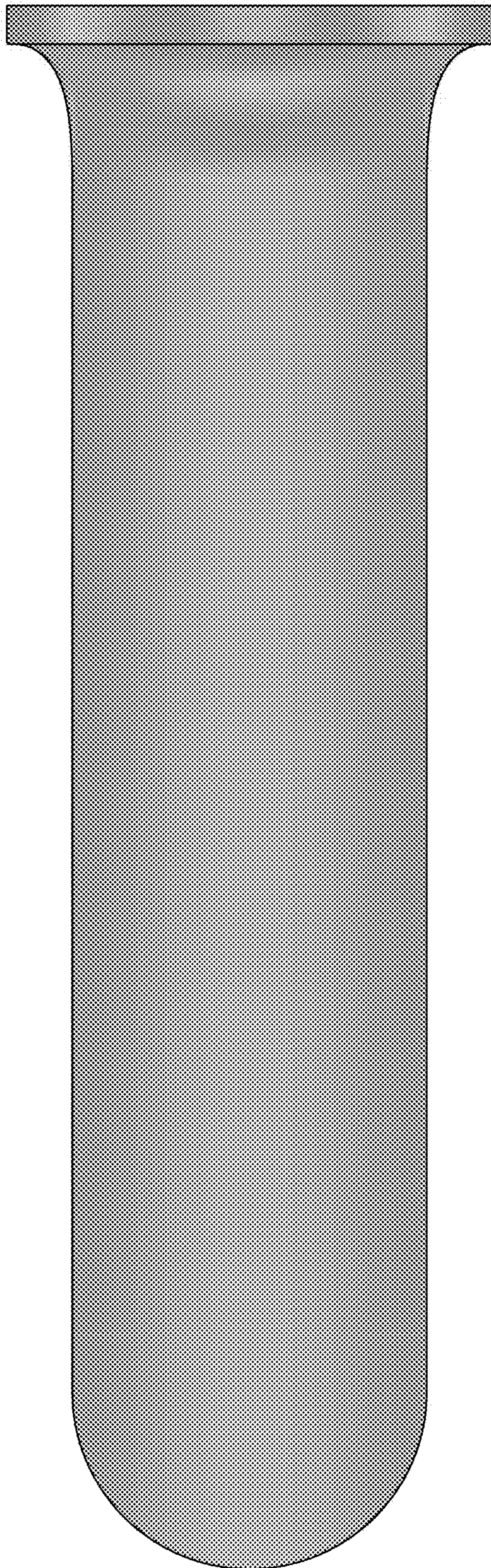


FIG.7

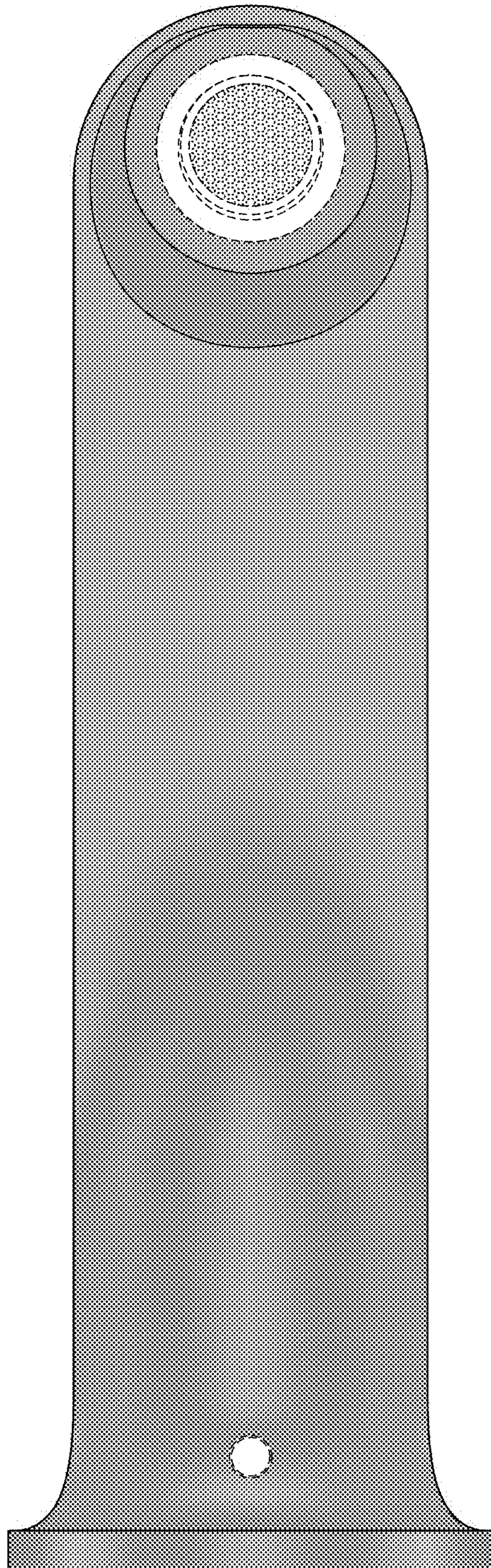


FIG.8

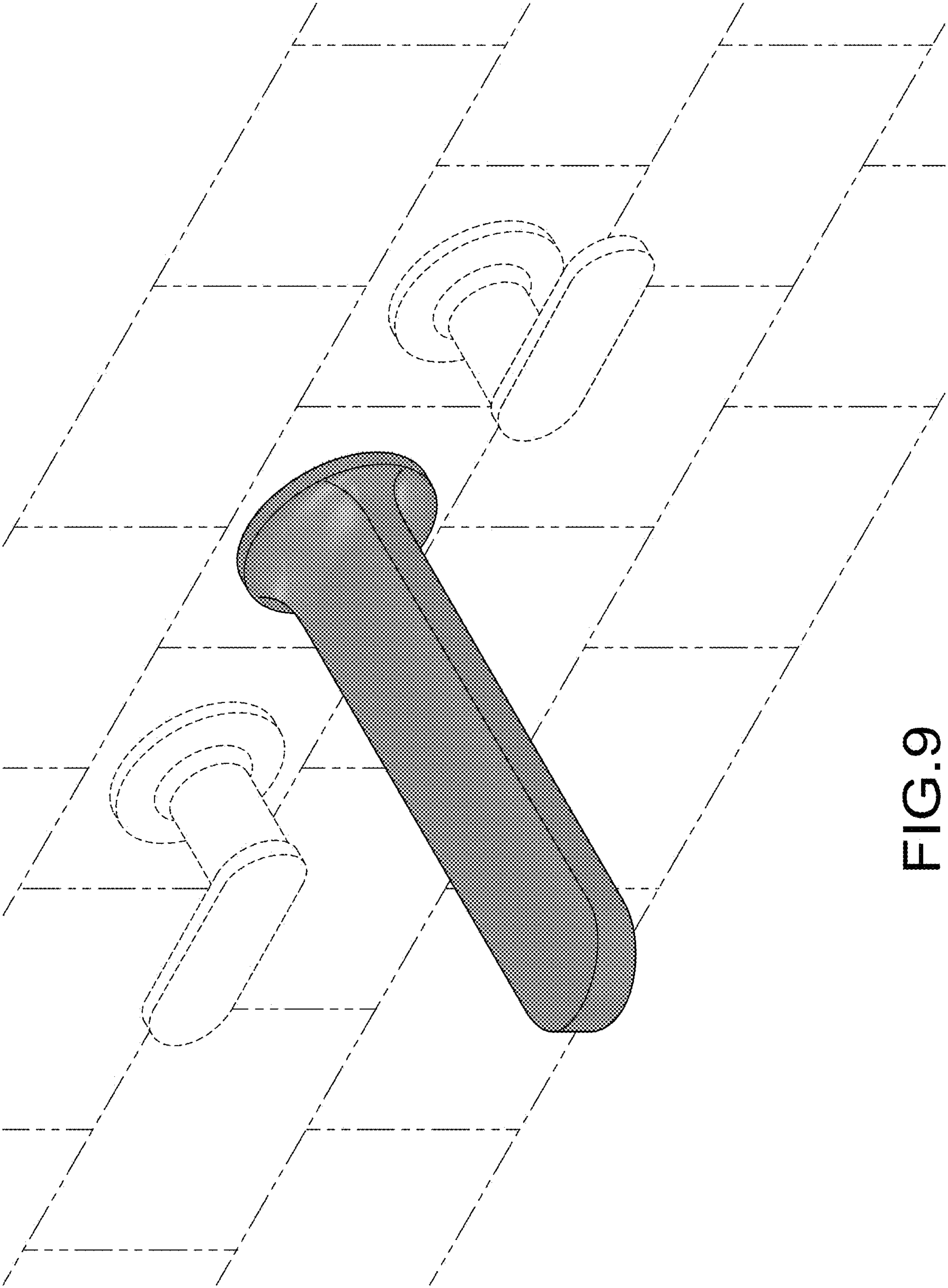


FIG. 9

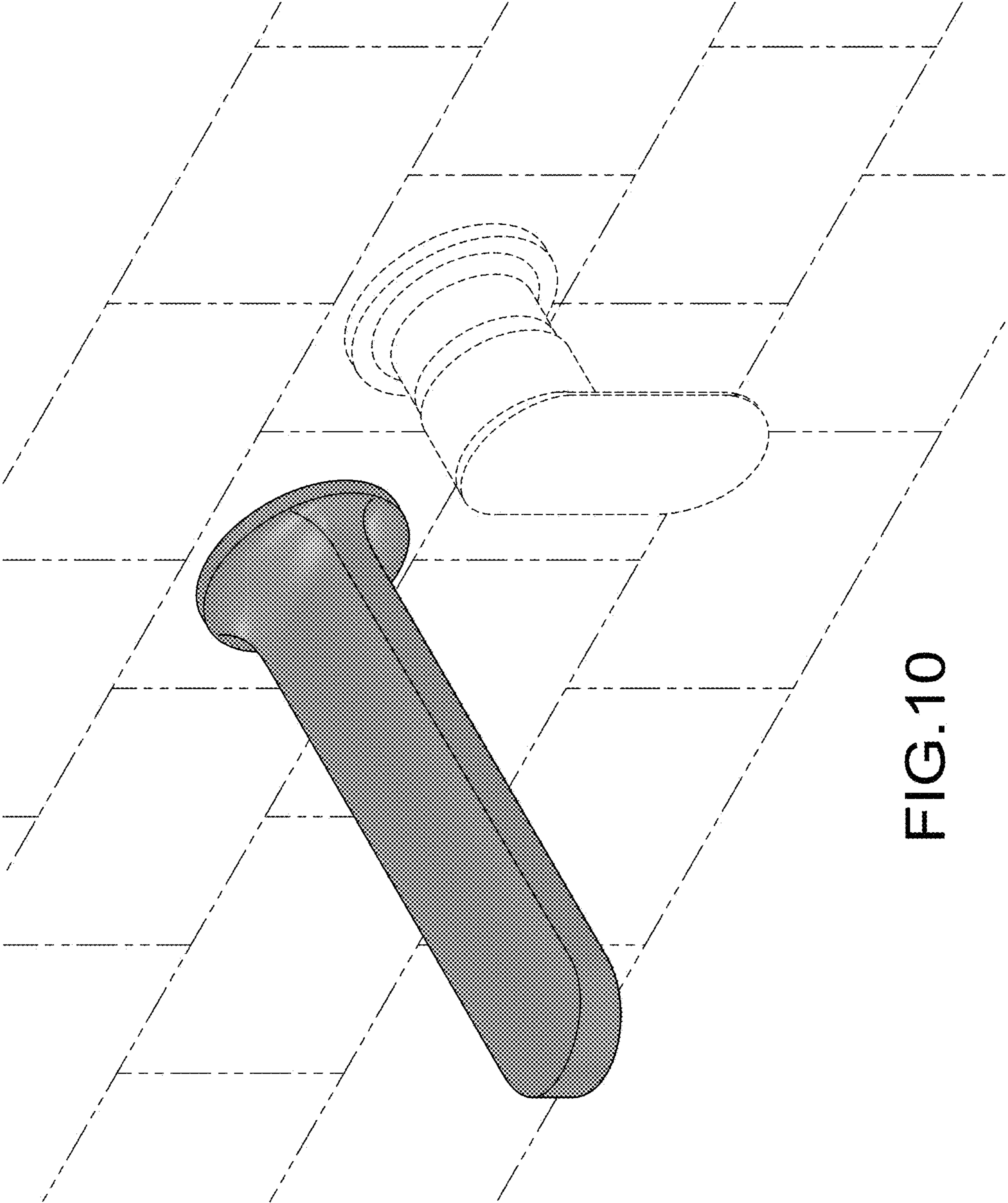


FIG.10