



US00D933785S

(12) **United States Design Patent** (10) **Patent No.:** **US D933,785 S**
Upadhyaya (45) **Date of Patent:** **** Oct. 19, 2021**

(54) **FAUCET**
(71) Applicant: **DELTA FAUCET COMPANY,**
Indianapolis, IN (US)
(72) Inventor: **Alexandra Upadhyaya,** Midlothian, VA
(US)
(73) Assignee: **DELTA FAUCET COMPANY,**
Indianapolis, IN (US)
(**) Term: **15 Years**
(21) Appl. No.: **29/718,674**
(22) Filed: **Dec. 27, 2019**
(51) **LOC (13) Cl.** **23-01**
(52) **U.S. Cl.**
USPC **D23/242**
(58) **Field of Classification Search**
USPC D23/238-244, 252, 254-255, 257;
D8/307-308
CPC F16K 31/602; F16K 31/605; F16K 31/607;
E03C 1/0412
See application file for complete search history.

D767,099 S * 9/2016 Flowers D23/242
D791,279 S * 7/2017 Fritz D23/242
D791,280 S * 7/2017 Fritz D23/242
D793,534 S * 8/2017 Fritz D23/242
D796,638 S * 9/2017 Liao D23/242
(Continued)

FOREIGN PATENT DOCUMENTS

CA 146286 * 7/2012
CN 301824960 * 3/2011
(Continued)

OTHER PUBLICATIONS

Moen 6410 Evo Collection Two Handle Centerset Bathroom Sink
Faucet with Drain Assembly, announced Jun. 8, 2007[online], [site
visited Feb. 22, 2021]. Available from internet, URL:<<https://www.amazon.com/Moen-Two-Handle-Centerset-Bathroom-6410/dp/B000TFCN0Q>> (Year: 2007).*
(Continued)

Primary Examiner — Barbara Fox
Assistant Examiner — Jamaal Rasheed
(74) *Attorney, Agent, or Firm* — Nirav D. Parikh; Edgar
A. Zarins

(56) **References Cited**

U.S. PATENT DOCUMENTS

D368,302 S * 3/1996 Doughty D23/241
D384,132 S * 9/1997 Doughty D23/241
D434,472 S * 11/2000 Lord D23/241
D448,453 S * 9/2001 Lord D23/241
D522,093 S * 5/2006 Fritz D23/241
D528,190 S * 9/2006 Fritz D23/241
D529,137 S * 9/2006 Chu D23/241
D569,486 S * 5/2008 Fritz D23/241
D643,096 S * 8/2011 Corbett D23/242
D657,019 S * 4/2012 Padgett D23/242
D667,934 S * 9/2012 Liao D23/242
D704,305 S * 5/2014 Flowers D23/242
D715,900 S * 10/2014 Flowers D23/242
D754,297 S * 4/2016 Garland D23/242

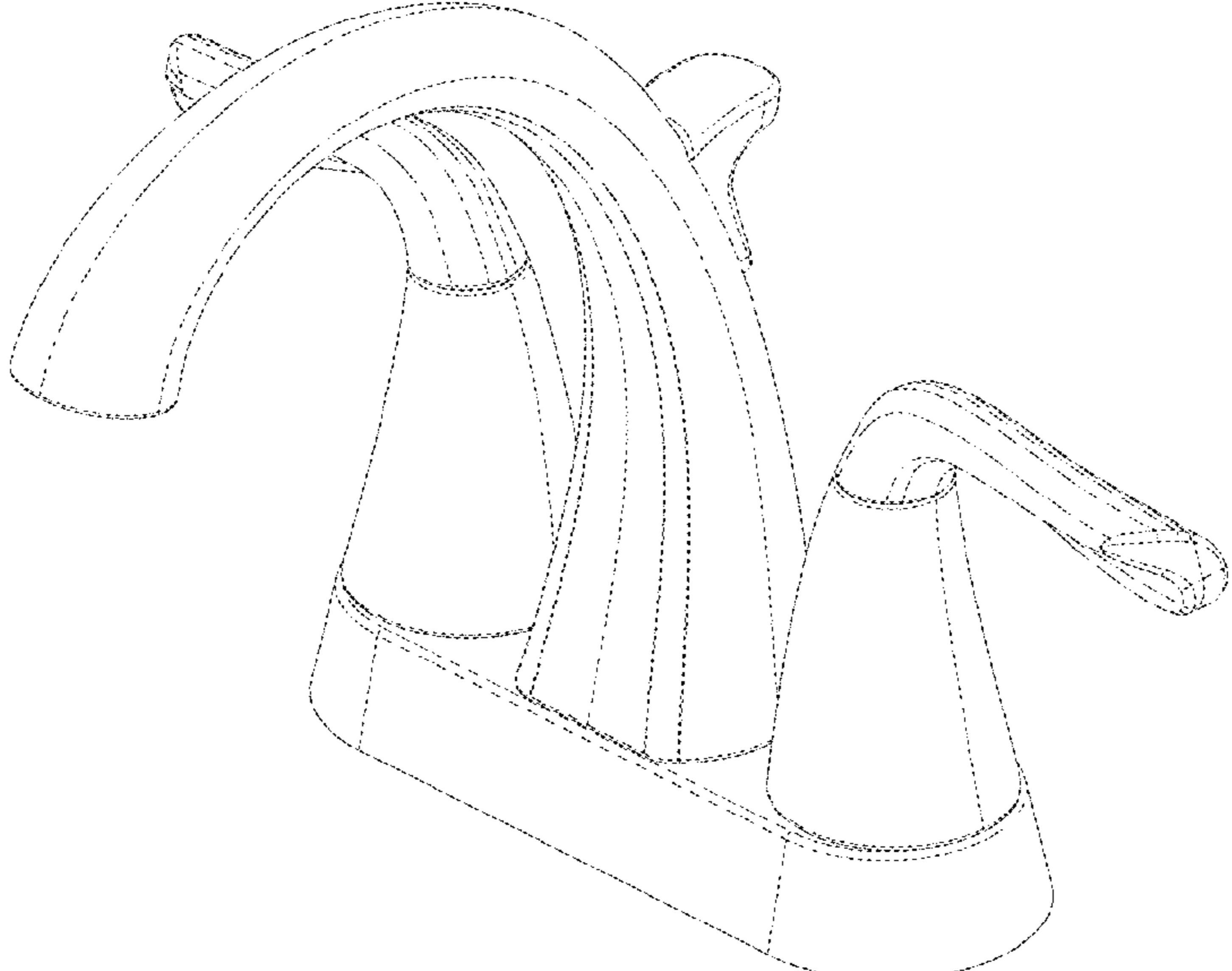
(57) **CLAIM**

The ornamental design for a faucet, as shown and described.

DESCRIPTION

FIG. 1 is a front perspective view of a faucet showing my
new design;
FIG. 2 is a rear perspective view thereof;
FIG. 3 is a front elevational view thereof;
FIG. 4 is a left side view thereof;
FIG. 5 is a rear view thereof;
FIG. 6 is a right side view thereof; and,
FIG. 7 is a top plan view thereof.

1 Claim, 4 Drawing Sheets



(56)

References Cited

U.S. PATENT DOCUMENTS

D797,248 S * 9/2017 Schaubach D23/242
D797,893 S * 9/2017 Fritz D23/242
D822,171 S * 7/2018 Bennett D23/242
D839,390 S * 1/2019 Eads D23/242
D860,394 S * 9/2019 Seum D23/238
D879,252 S * 3/2020 Yu D23/242
D891,585 S * 7/2020 Spangler D23/242

FOREIGN PATENT DOCUMENTS

CN 302112297 * 4/2012
CN 303233641 * 6/2014

OTHER PUBLICATIONS

Delta Faucet Lahara Centerset Bathroom Faucet Chrome, announced Oct. 31, 2012[online], [site visited Feb. 23, 2021]. Available from internet, URL:<<https://www.amazon.com/2-Handle-Centerset-Bathroom-Technology-2538-MPU-DST/dp/B00A39FU0S>> (Year: 2012).*

* cited by examiner

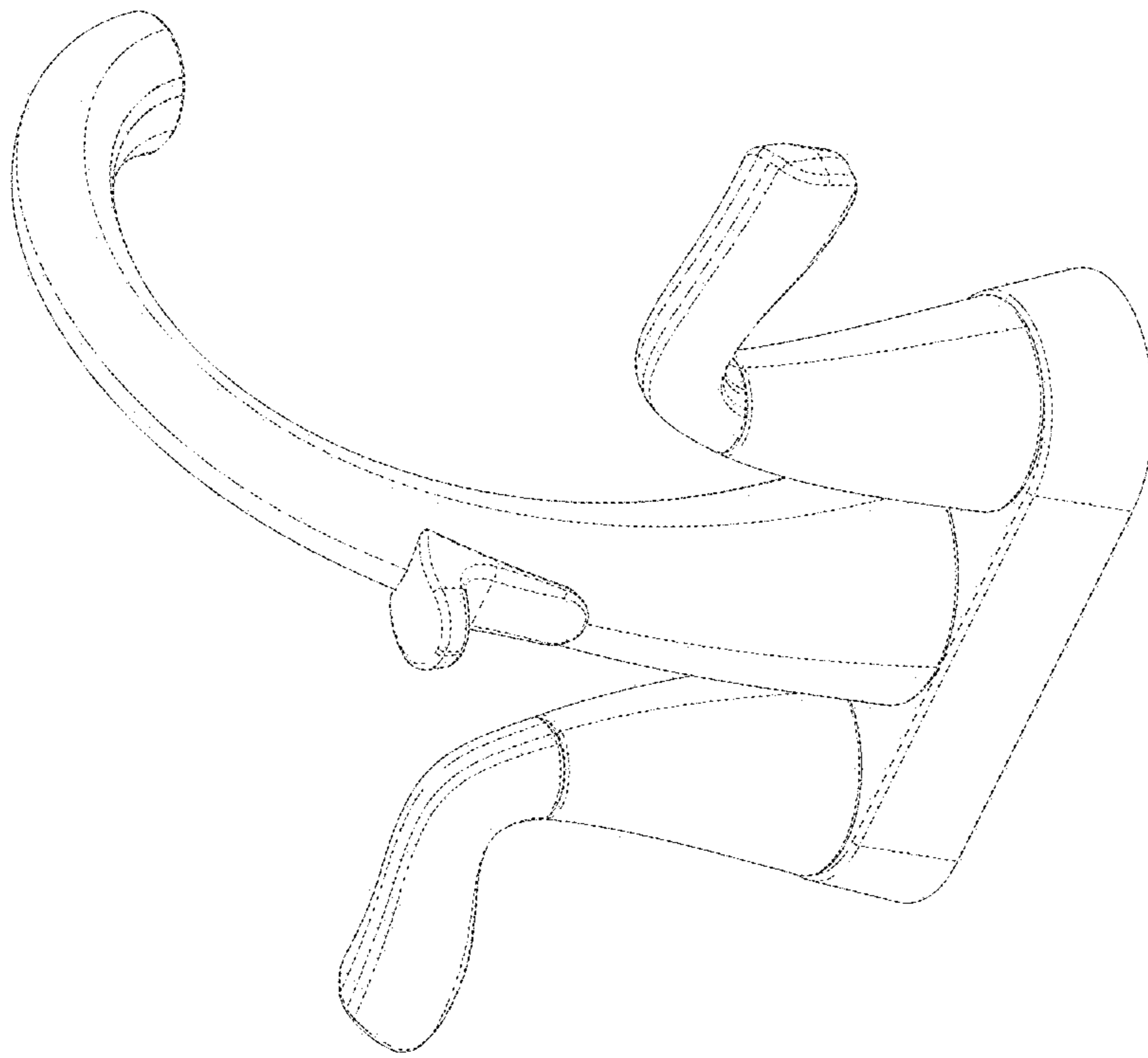


FIG - 2

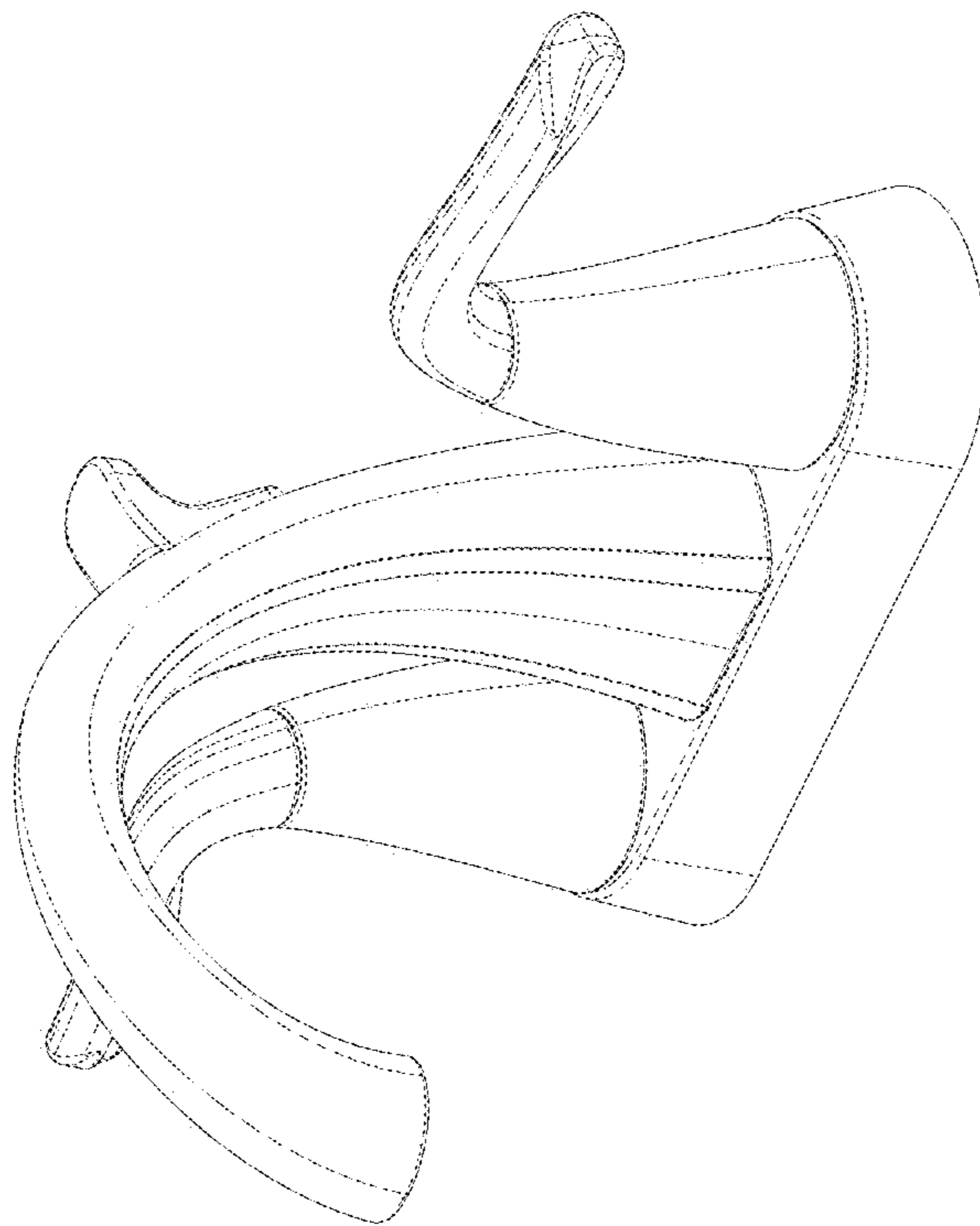


FIG - 1

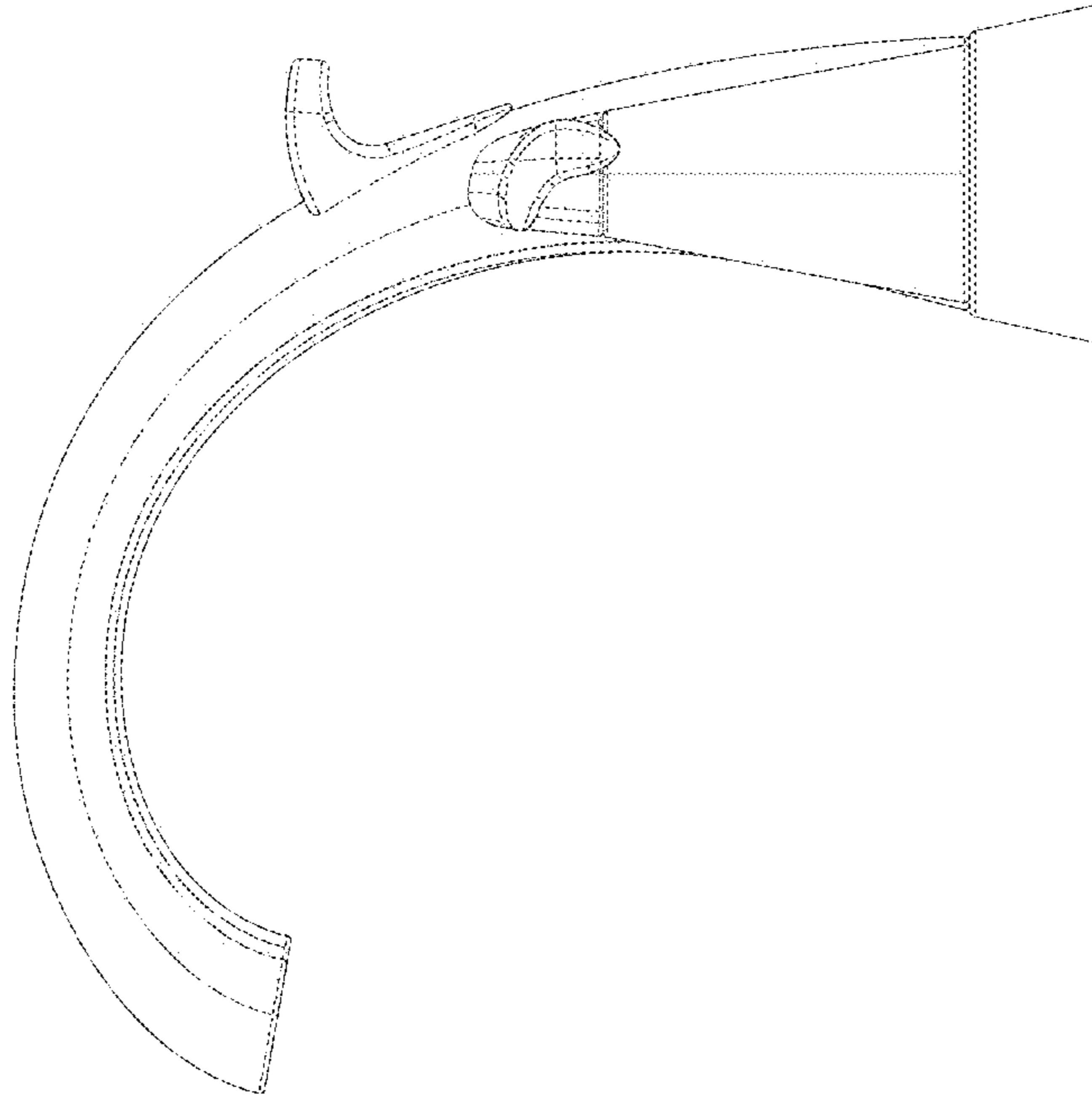


FIG-4

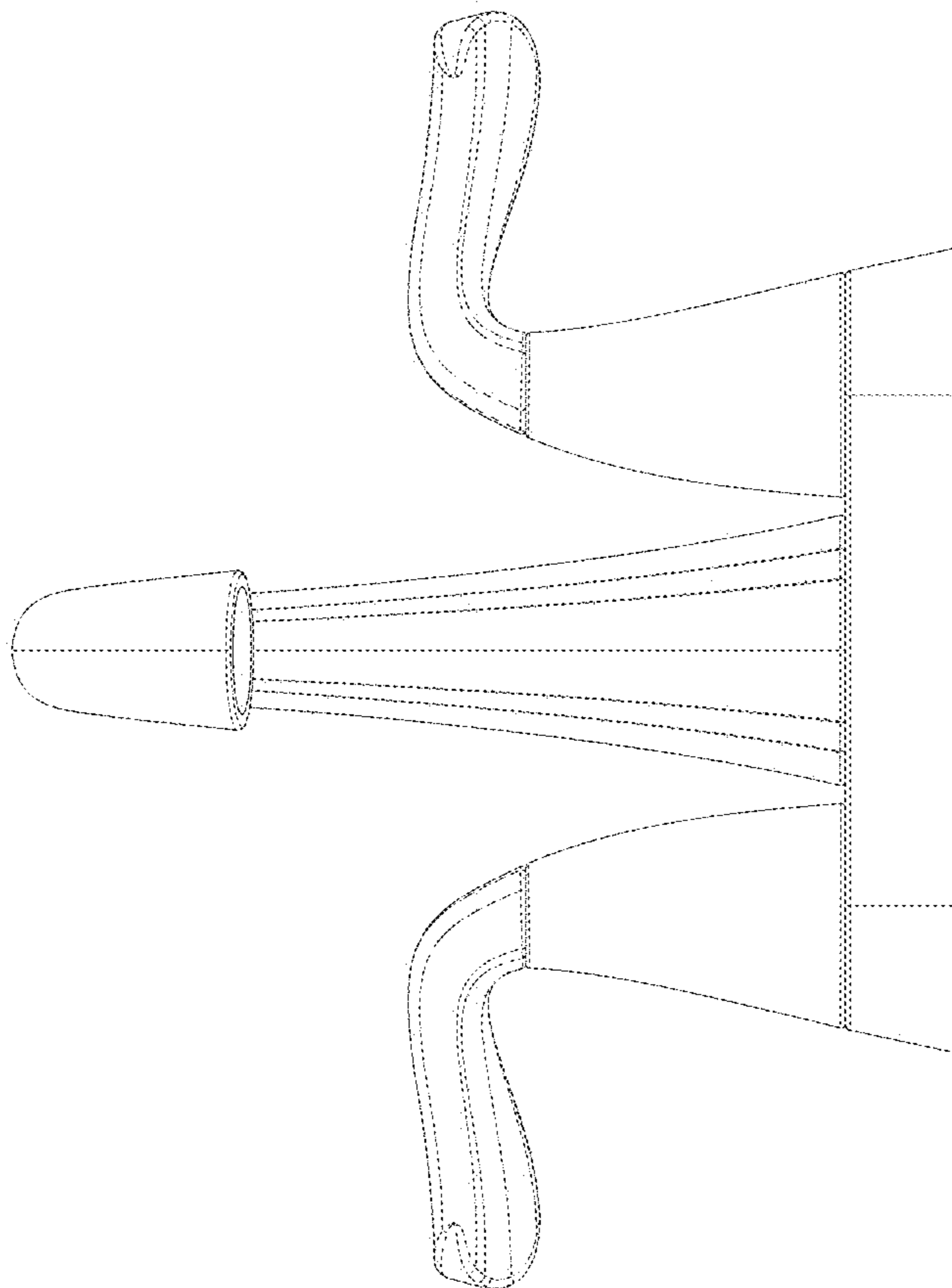


FIG-3

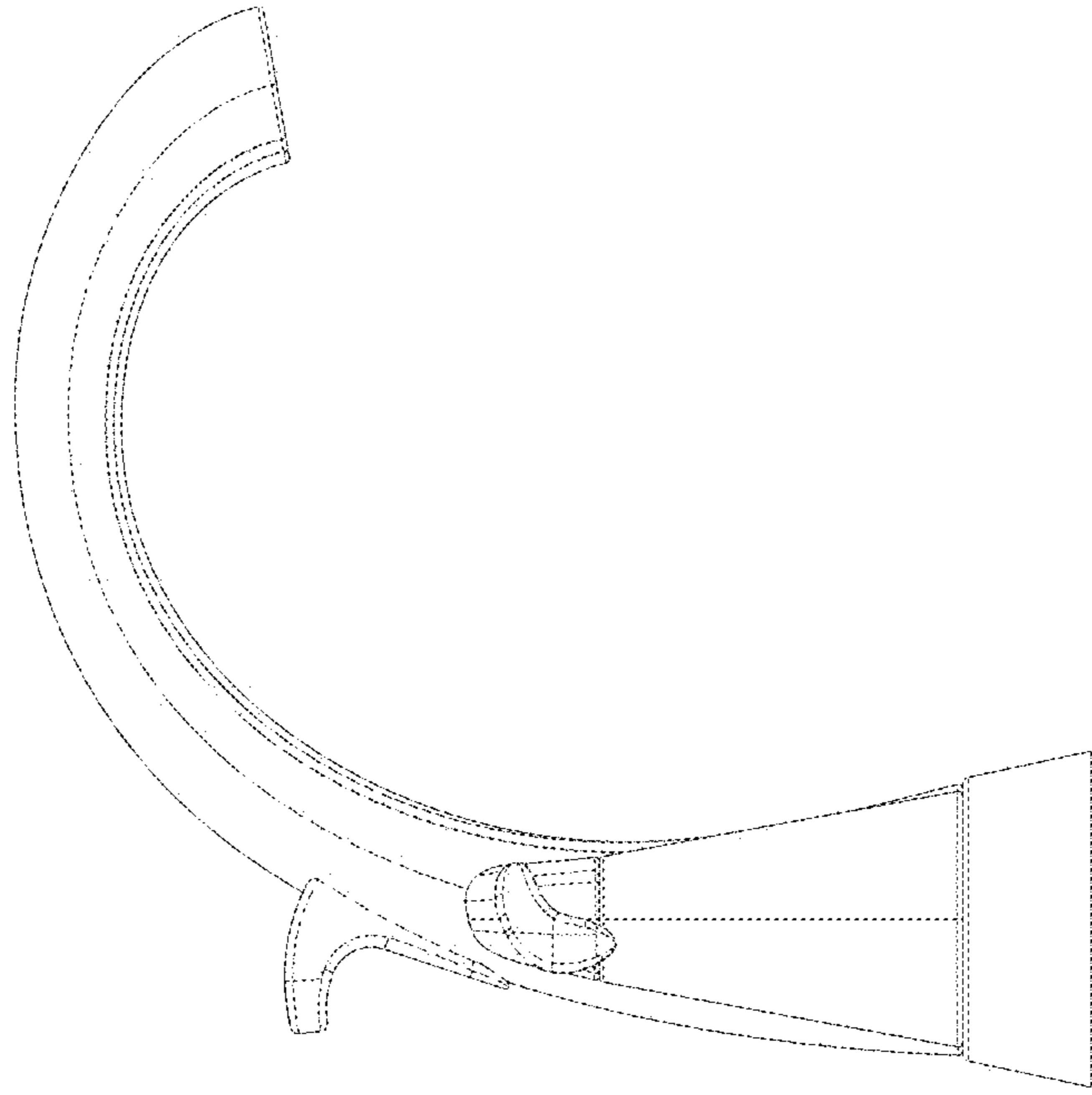


FIG - 6

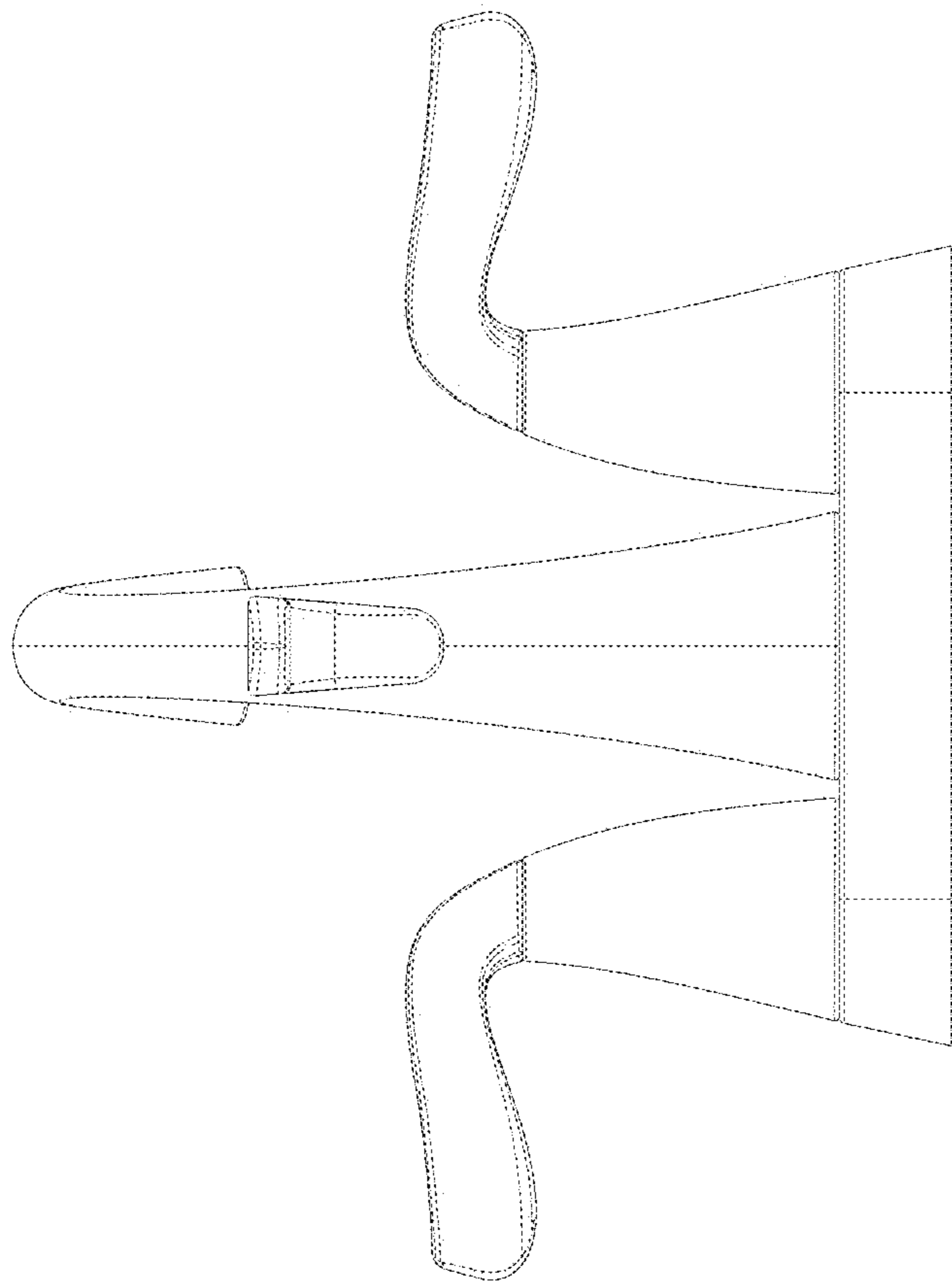


FIG - 5

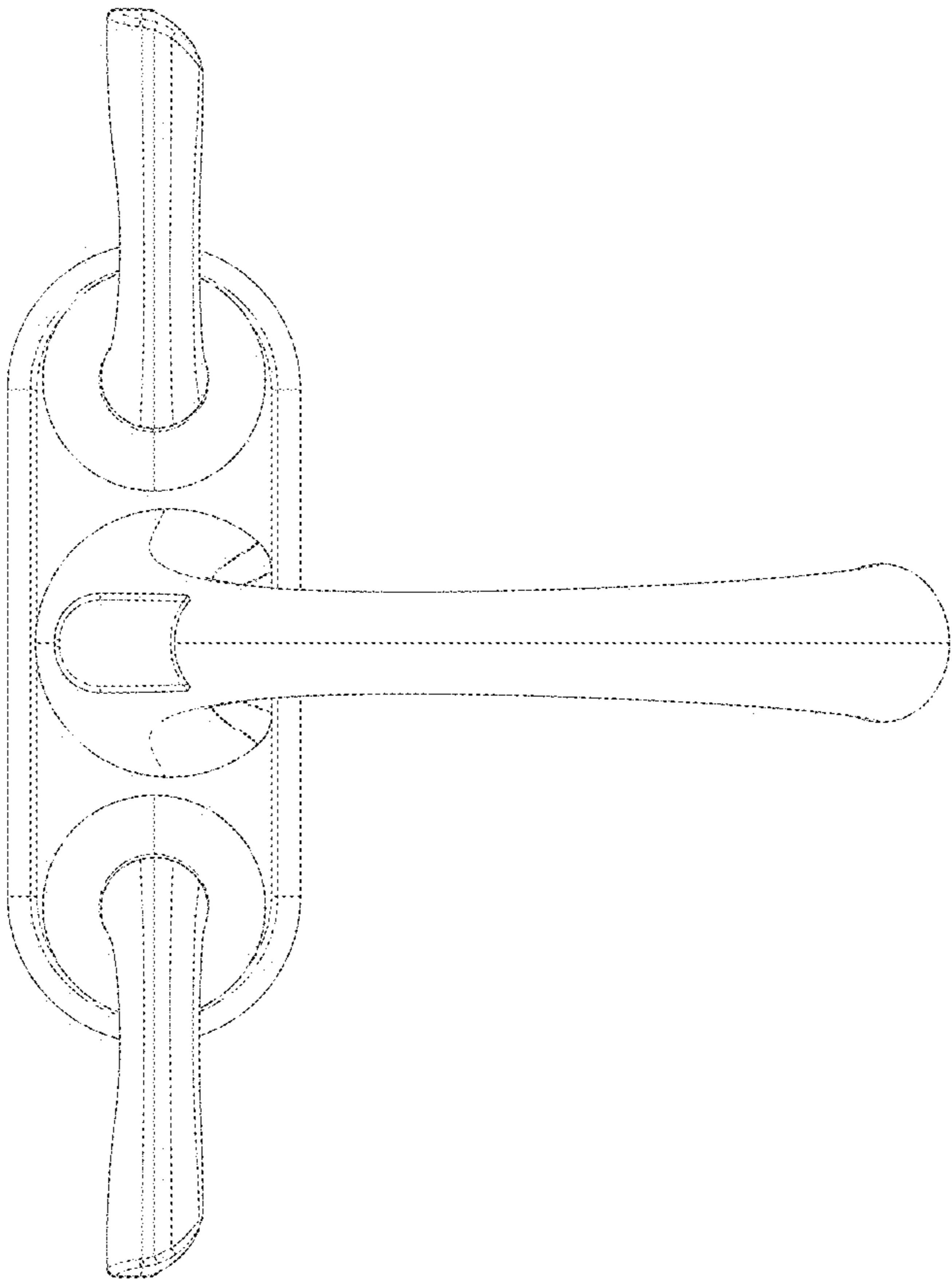


FIG - 7