



US00D933783S

(12) **United States Design Patent** (10) **Patent No.:** **US D933,783 S**
Miller (45) **Date of Patent:** **** Oct. 19, 2021**

(54) **FAUCET**
(71) Applicant: **DELTA FAUCET COMPANY,**
Indianapolis, IN (US)

D791,280 S * 7/2017 Fritz D23/242
D793,534 S * 8/2017 Fritz D23/242
D796,638 S * 9/2017 Liao D23/242
D797,248 S * 9/2017 Schaubach D23/242

(Continued)

(72) Inventor: **Julia Miller,** Naperville, IL (US)

FOREIGN PATENT DOCUMENTS

(73) Assignee: **DELTA FAUCET COMPANY,**
Indianapolis, IN (US)

CA 175160 * 6/2017
CA 190273 * 10/2019

(**) Term: **15 Years**

OTHER PUBLICATIONS

(21) Appl. No.: **29/712,788**

MOEN 6410 Eva Collection Two Handle Centerset Bathroom Sink
Faucet, announced Jun. 8, 2007[online], [site visited Feb. 19, 2021].
Available from internet, URL:<https://www.amazon.com/Moen-
Two-Handle-Centerset-Bathroom-6410/dp/B000TFCN0Q > (Year:
2007).*

(22) Filed: **Nov. 12, 2019**

(51) **LOC (13) Cl.** **23-01**

(52) **U.S. Cl.**
USPC **D23/242**

(58) **Field of Classification Search**
USPC D23/238-244, 252, 254-255, 257;
D8/307-308
CPC F16K 31/602; F16K 31/605; F16K 31/607;
E03C 1/0412
See application file for complete search history.

Primary Examiner — Barbara Fox

Assistant Examiner — Jamaal Rasheed

(74) *Attorney, Agent, or Firm* — Nirav D. Parikh; Edgar
A. Zarins

(57) **CLAIM**

The ornamental design for a faucet, as shown and described.

(56) **References Cited**

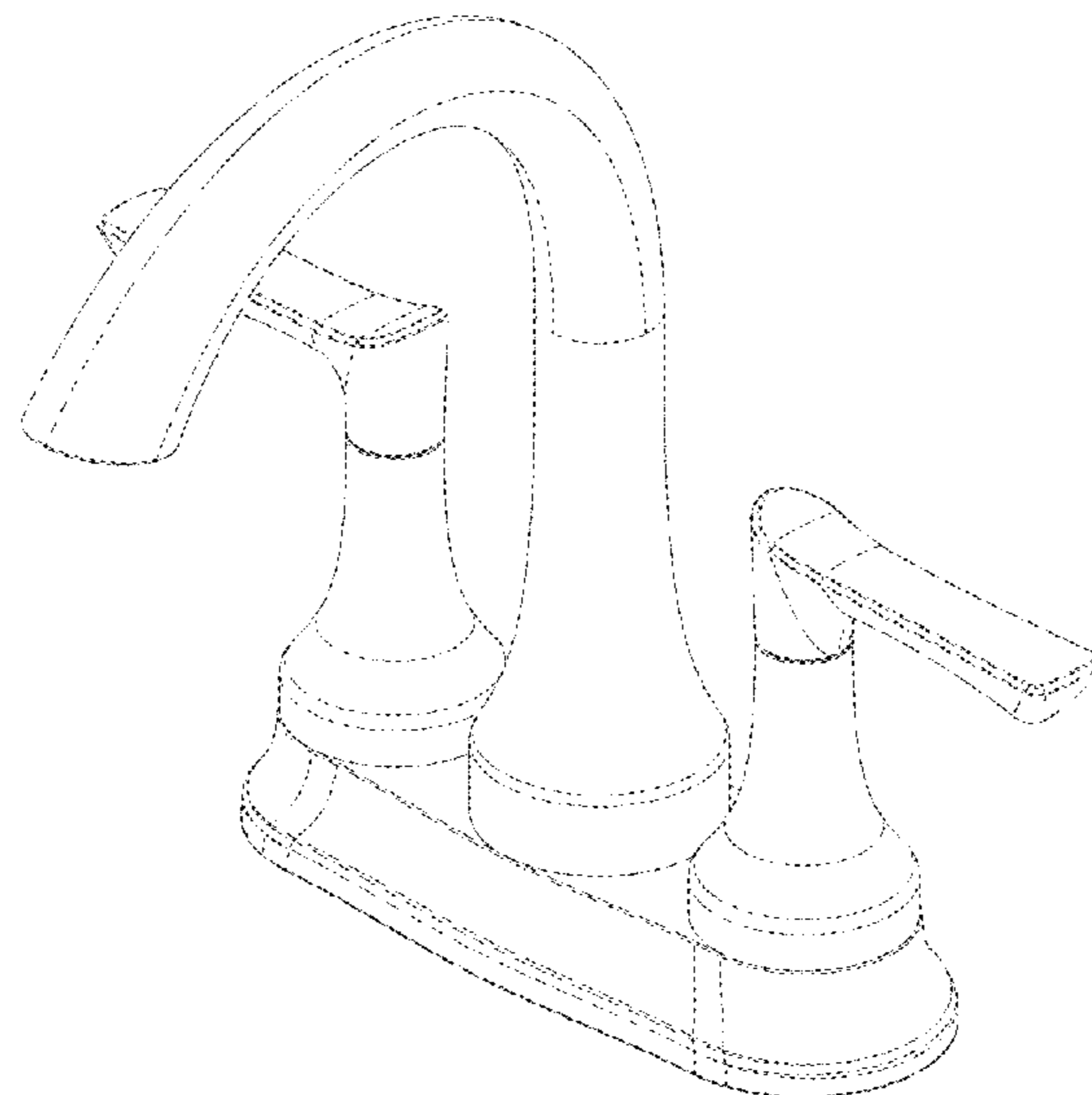
DESCRIPTION

U.S. PATENT DOCUMENTS

D368,302 S * 3/1996 Doughty D23/241
D384,132 S * 9/1997 Doughty D23/241
D434,472 S * 11/2000 Lord D23/241
D448,453 S * 9/2001 Lord D23/241
D522,093 S * 5/2006 Fritz D23/241
D528,190 S * 9/2006 Fritz D23/241
D529,137 S * 9/2006 Chu D23/241
D569,486 S * 5/2008 Fritz D23/241
D643,096 S * 8/2011 Corbett D23/242
D657,019 S * 4/2012 Padgett D23/242
D667,934 S * 9/2012 Liao D23/242
D704,305 S * 5/2014 Flowers D23/242
D715,900 S * 10/2014 Flowers D23/242
D754,297 S * 4/2016 Garland D23/242
D767,099 S * 9/2016 Flowers D23/242
D791,279 S * 7/2017 Fritz D23/242

FIG. 1 is a front perspective view of a faucet showing my
new design;
FIG. 2 is a rear perspective view thereof;
FIG. 3 is a front elevational view thereof;
FIG. 4 is a left side view thereof;
FIG. 5 is a rear view thereof;
FIG. 6 is a right side view thereof;
FIG. 7 is a top plan view thereof; and,
FIG. 8 is a bottom view thereof.
The broken line showing of the faucet is for the purposes of
depicting portions of the article and forms no part of the
claimed design.

1 Claim, 4 Drawing Sheets



(56)

References Cited

U.S. PATENT DOCUMENTS

D797,893 S *	9/2017	Fritz	D23/242
D822,171 S *	7/2018	Bennett	D23/242
D839,390 S *	1/2019	Eads	D23/242
D860,394 S *	9/2019	Seum	D23/238
D879,252 S *	3/2020	Yu	D23/242
D891,585 S *	7/2020	Spangler	D23/242

* cited by examiner

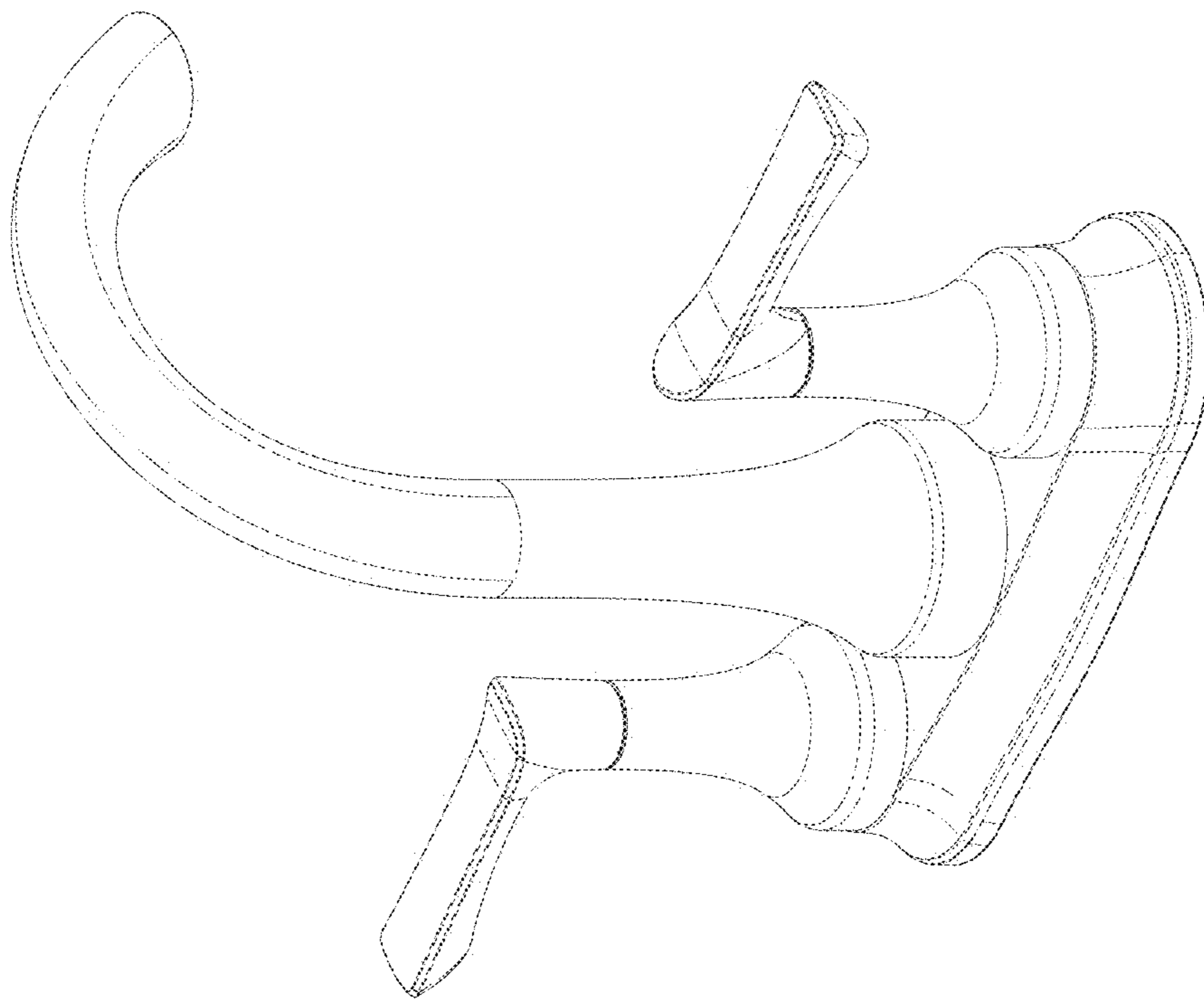


FIG. 2

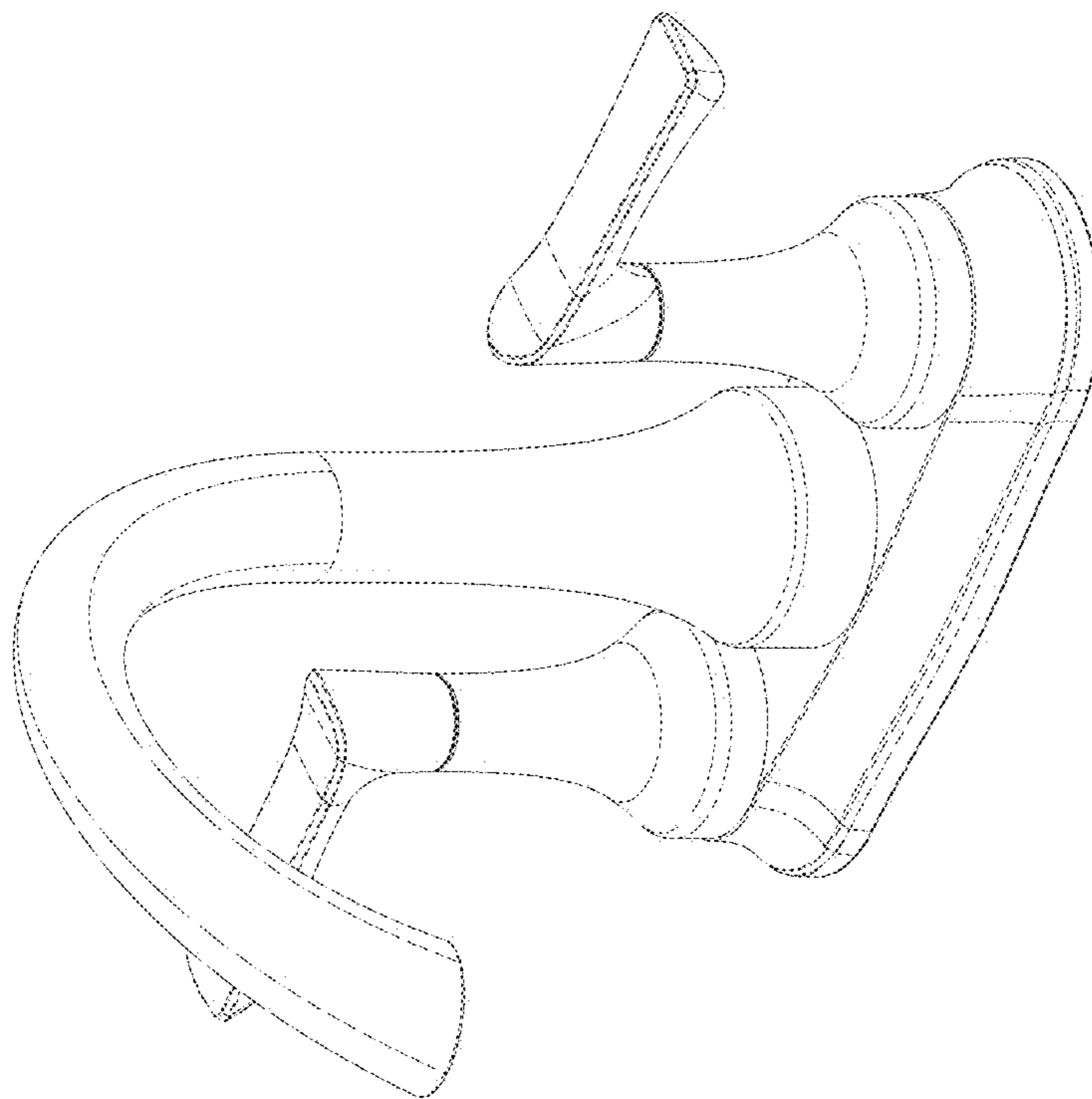


FIG. 1

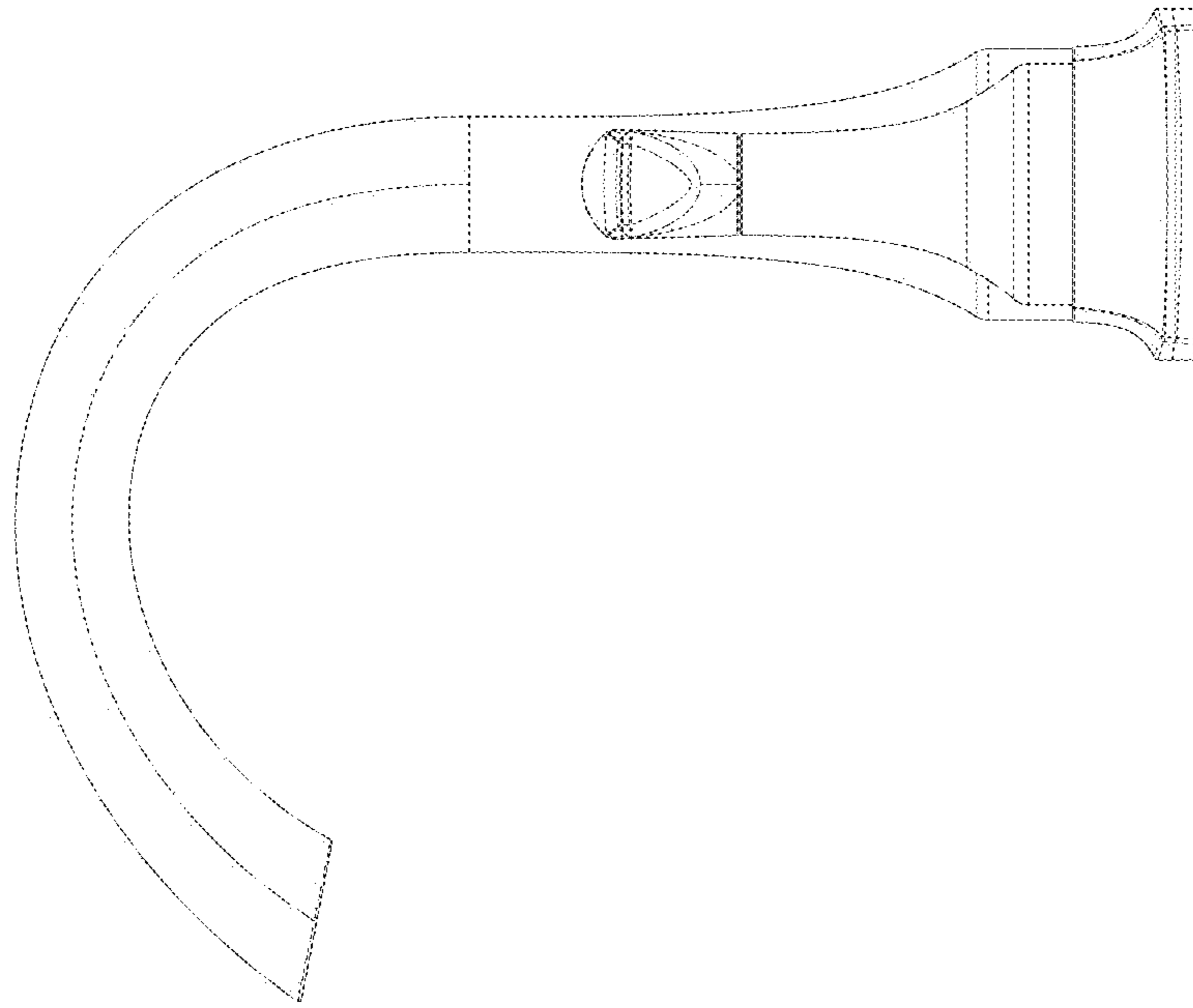


FIG-4

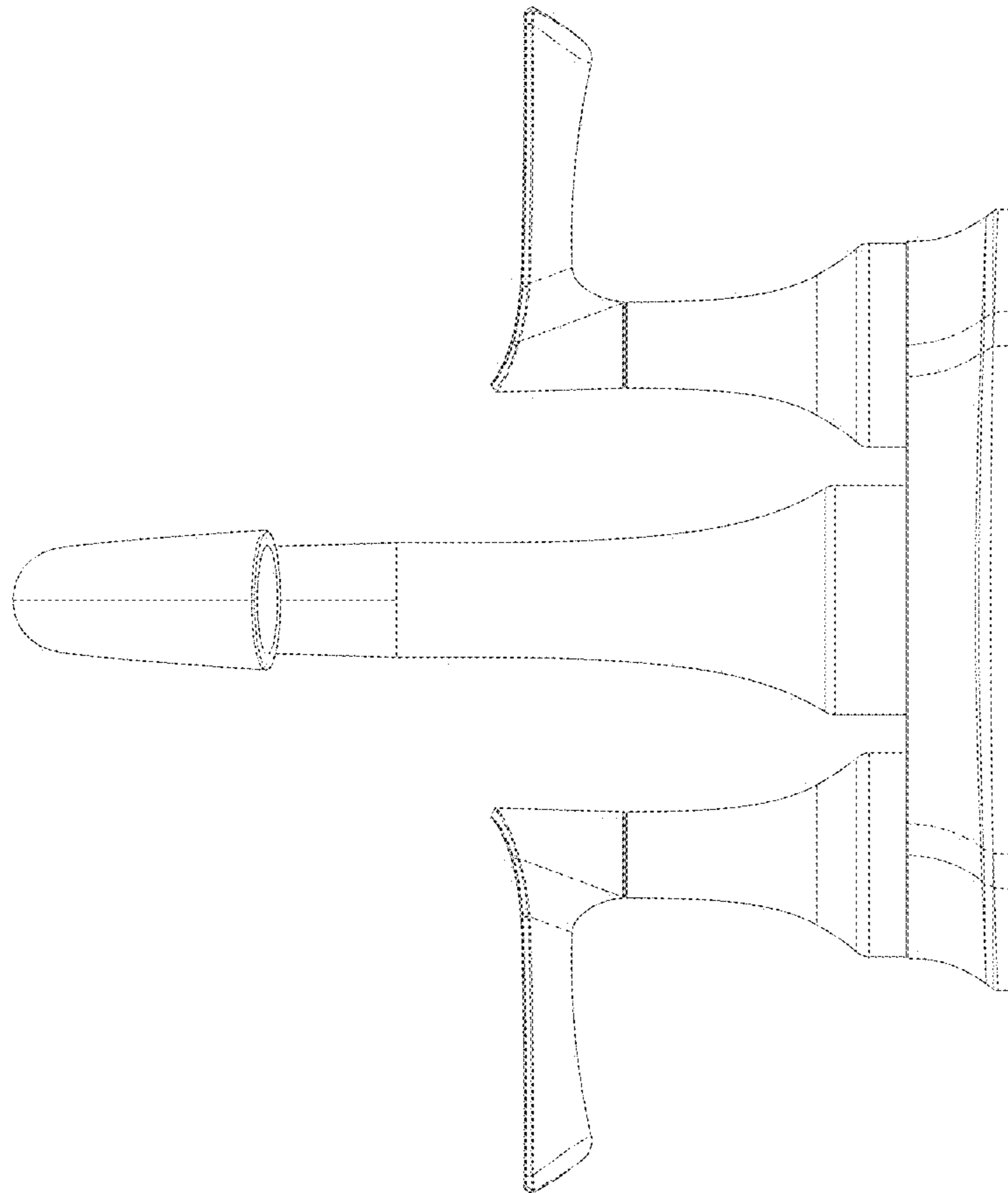


FIG-3

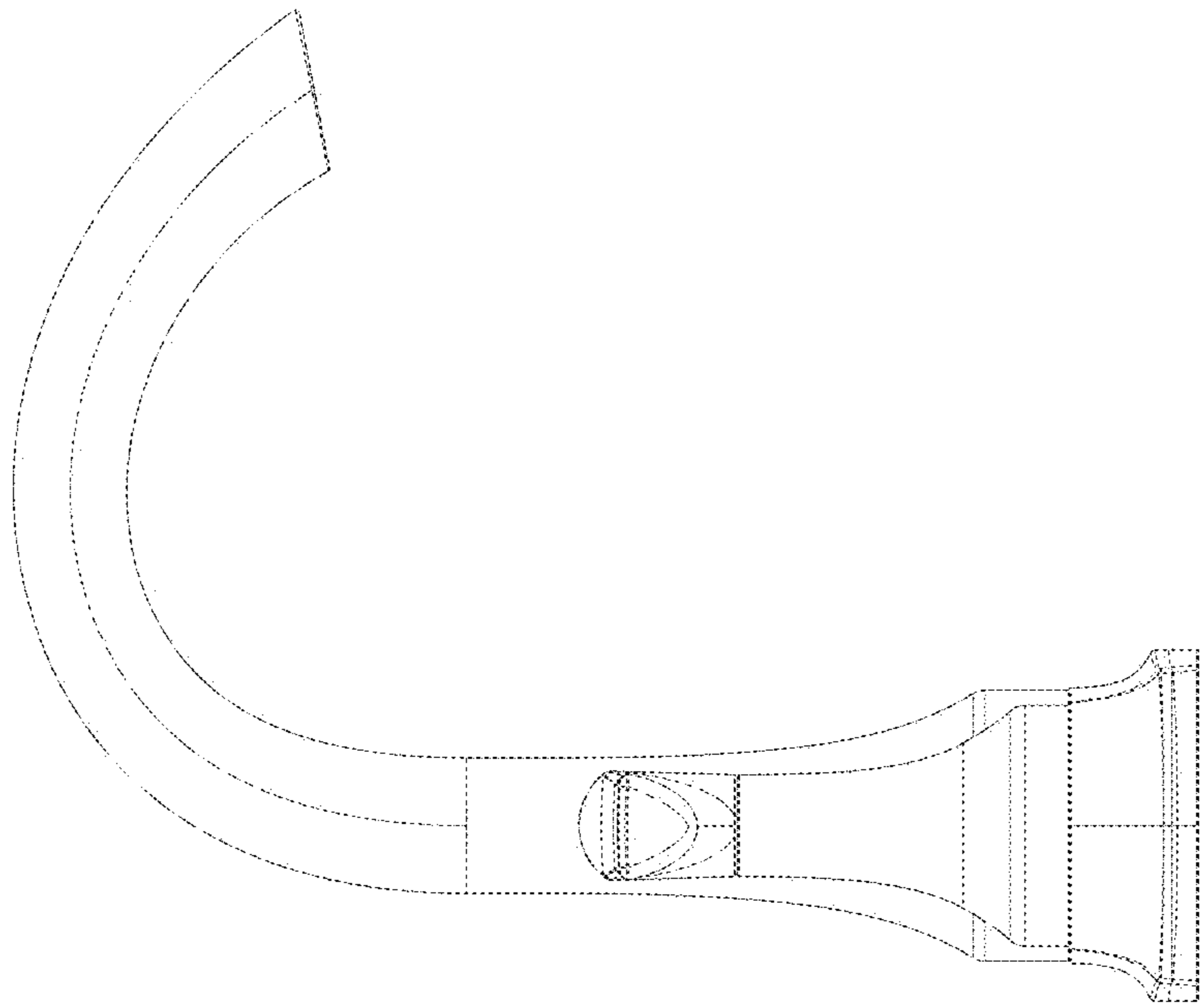


FIG. 6

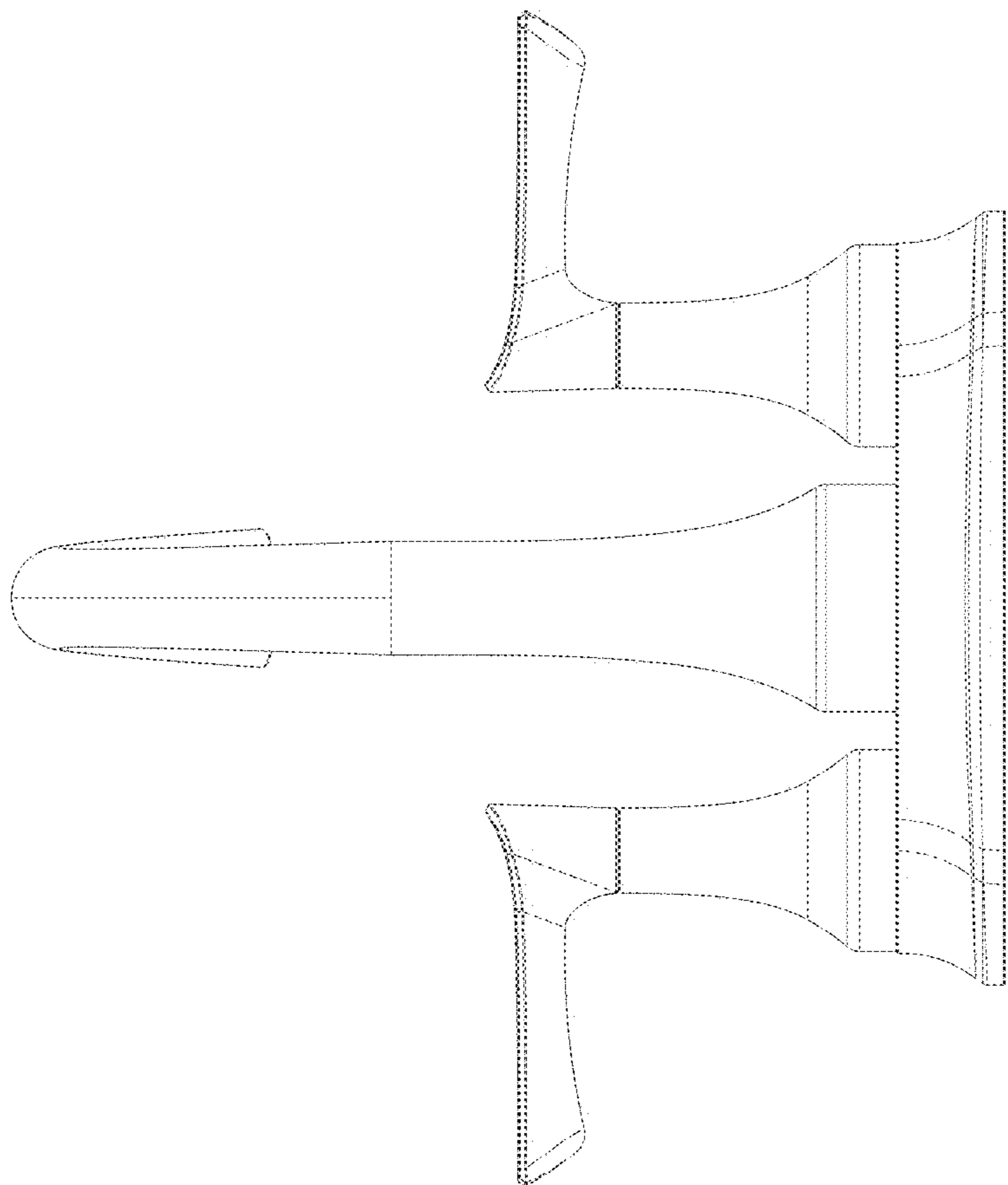


FIG. 5

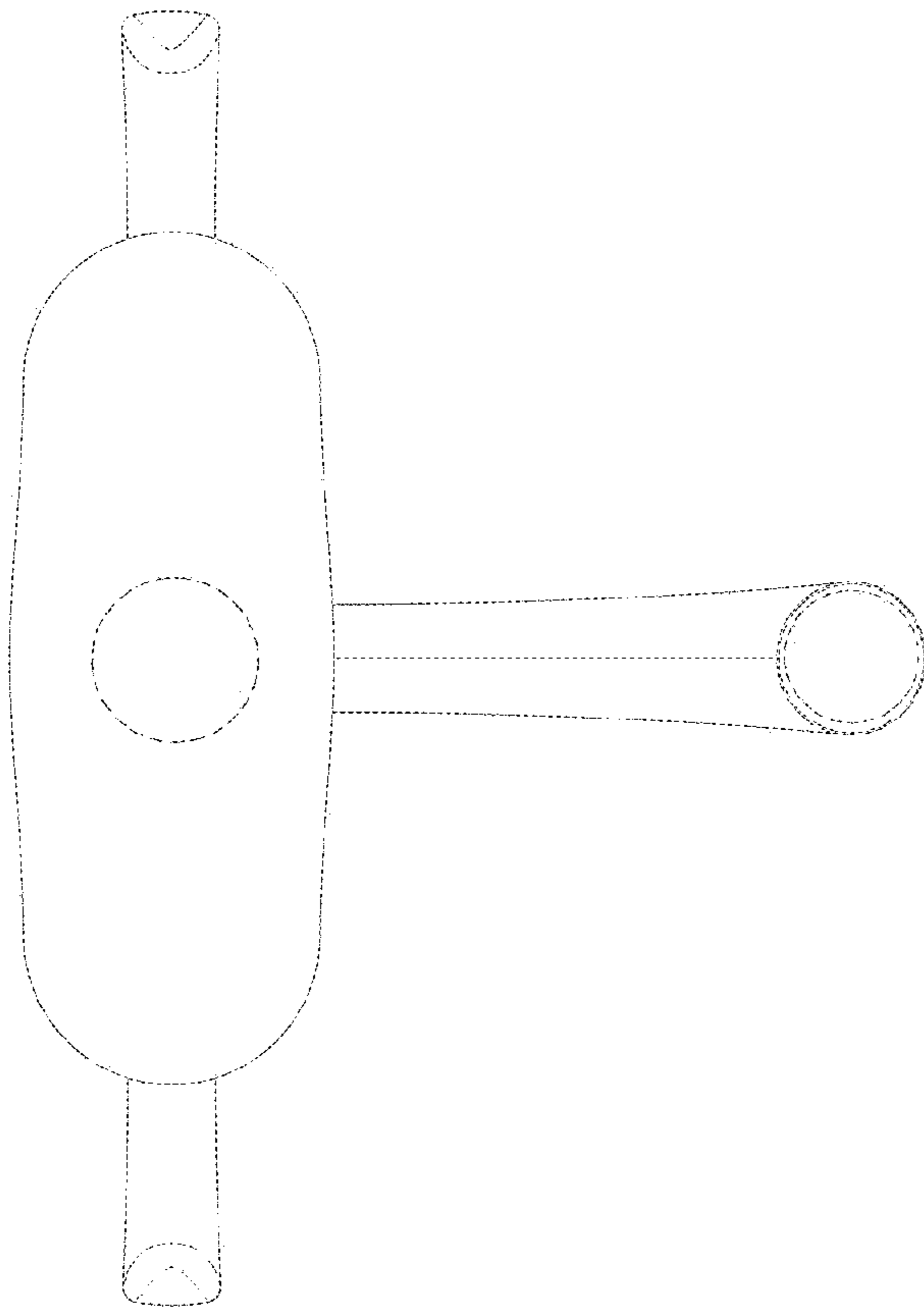


FIG-8

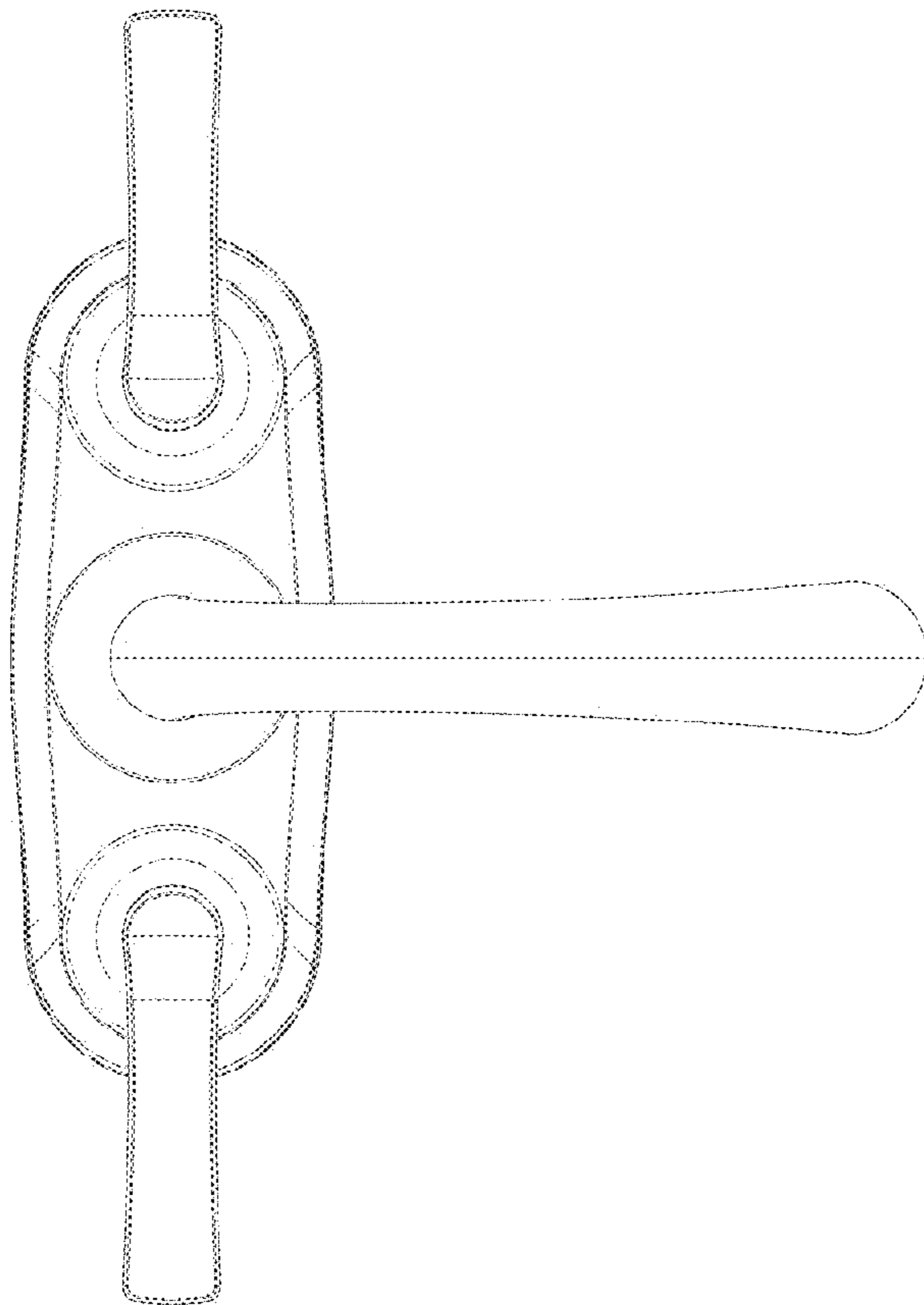


FIG-7