



US00D933782S

(12) **United States Design Patent** (10) **Patent No.:** **US D933,782 S**
Bahler (45) **Date of Patent:** **** Oct. 19, 2021**

(54) **FAUCET**
(71) Applicant: **DELTA FAUCET COMPANY**,
Indianapolis, IN (US)
(72) Inventor: **Jordan Bahler**, Frankfort, IN (US)
(73) Assignee: **DELTA FAUCET COMPANY**,
Indianapolis, IN (US)
(**) Term: **15 Years**
(21) Appl. No.: **29/715,906**
(22) Filed: **Dec. 5, 2019**
(51) **LOC (13) Cl.** **23-01**
(52) **U.S. Cl.**
USPC **D23/238**
(58) **Field of Classification Search**
USPC D23/238-244, 252, 254-255, 257;
D8/307-308
CPC F16K 31/602; F16K 31/605; F16K 31/607;
E03C 1/0412
See application file for complete search history.

D854,663 S * 7/2019 Chen D23/255
D861,133 S * 9/2019 Chen D23/238
D861,137 S * 9/2019 Chen D23/255
D861,138 S * 9/2019 Chen D23/255
D873,968 S * 1/2020 Bahler D23/255

FOREIGN PATENT DOCUMENTS

IN 248213-0001 * 9/2012

OTHER PUBLICATIONS

Delta Faucet Cassidy Single Hole Bathroom Faucet, announced Jul. 21, 2012[online], [site visited Mar. 8, 2021]. Available from internet, URL:<<https://www.amazon.com/Single-Handle-Waterfall-Bathroom-Stainless-598LF-SSMPU/dp/B008JVLJVQ>> (Year: 2012).*

* cited by examiner

Primary Examiner — Barbara Fox
Assistant Examiner — Jamaal Rasheed
(74) *Attorney, Agent, or Firm* — Nirav D. Parikh; Edgar A. Zarins

(56) **References Cited**

U.S. PATENT DOCUMENTS

D511,811 S * 11/2005 Lord D23/238
D555,230 S * 11/2007 Kemp D23/249
D576,710 S * 9/2008 Fritz D23/238
D586,429 S * 2/2009 Fritz D23/238
D594,532 S * 6/2009 Schoenherr D23/238
D680,622 S * 4/2013 Berger D23/238
D683,428 S * 5/2013 Kwok D23/238
D721,790 S * 1/2015 Bahler D23/238
D827,106 S * 8/2018 Rexach D23/255
D839,998 S * 2/2019 Chen D23/255
D840,513 S * 2/2019 Chen D23/255
D842,970 S * 3/2019 Rexach D23/255
D854,662 S * 7/2019 Schaubach D23/255

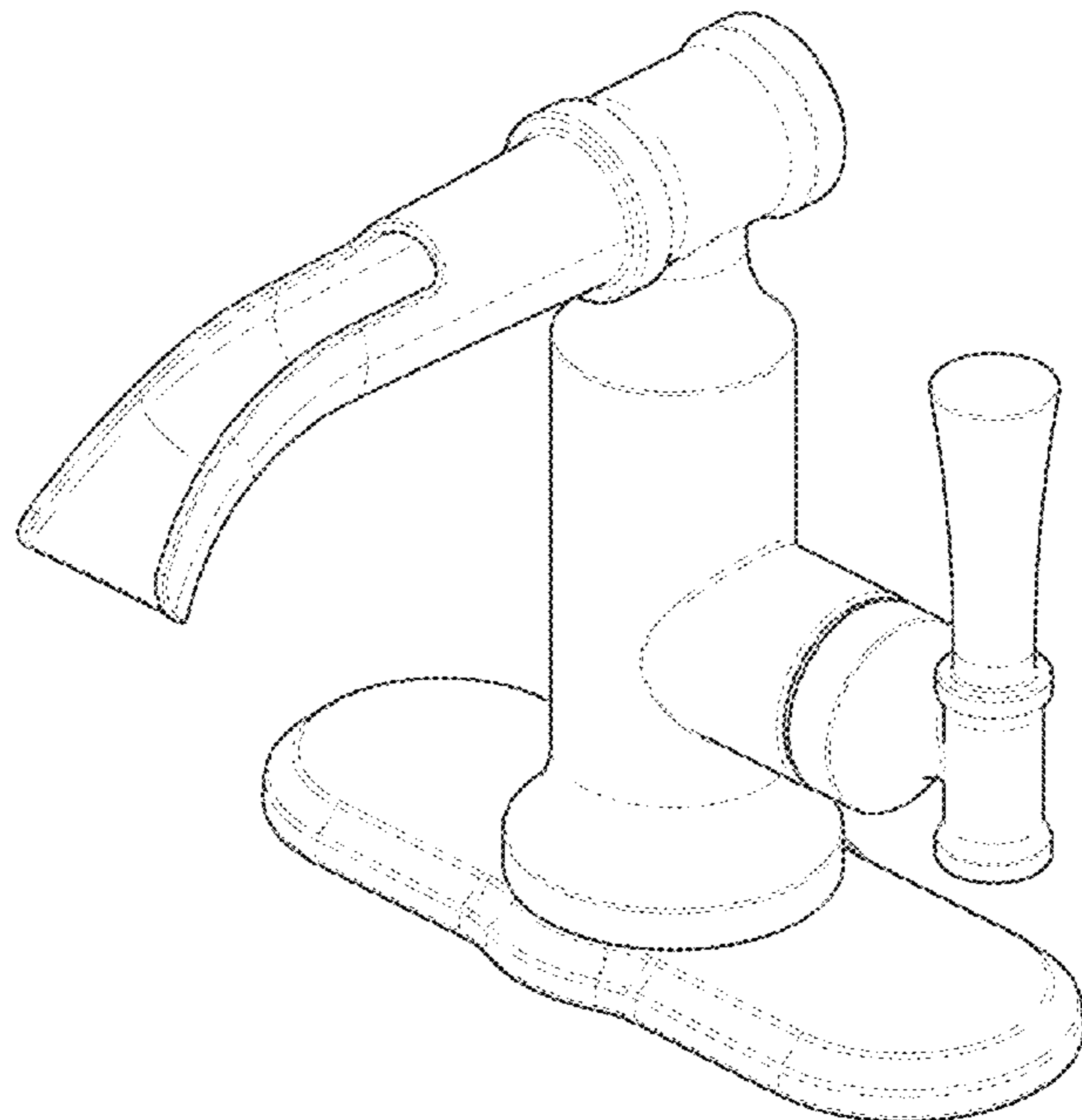
(57) **CLAIM**

The ornamental design for a faucet, as shown and described.

DESCRIPTION

FIG. 1 is a front perspective view of a faucet showing my new design;
FIG. 2 is a rear perspective view thereof;
FIG. 3 is a front elevational view thereof;
FIG. 4 is a left side view thereof;
FIG. 5 is a rear view thereof;
FIG. 6 is a right side view thereof; and,
FIG. 7 is a top plan view thereof.

1 Claim, 4 Drawing Sheets



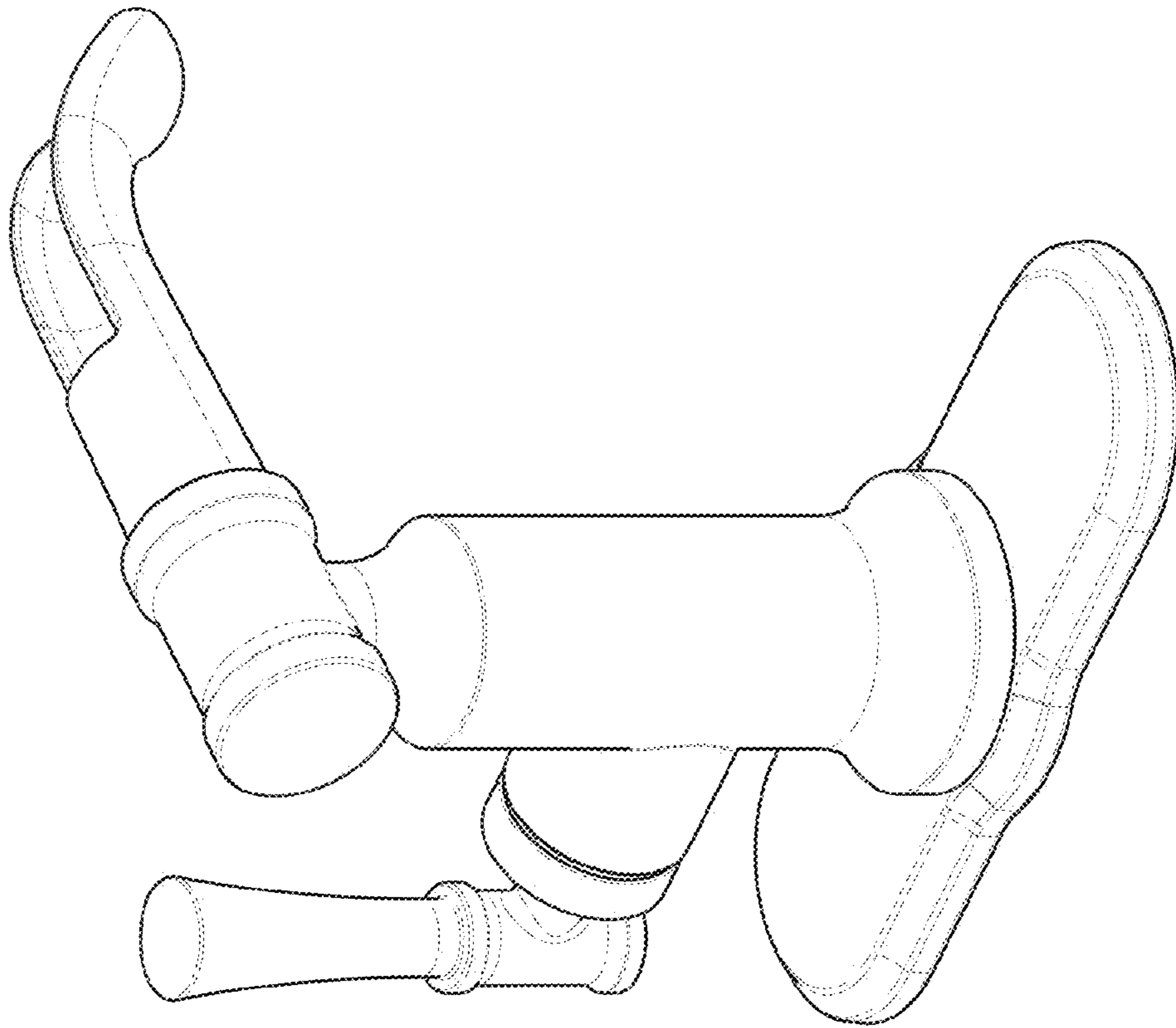


FIG - 2

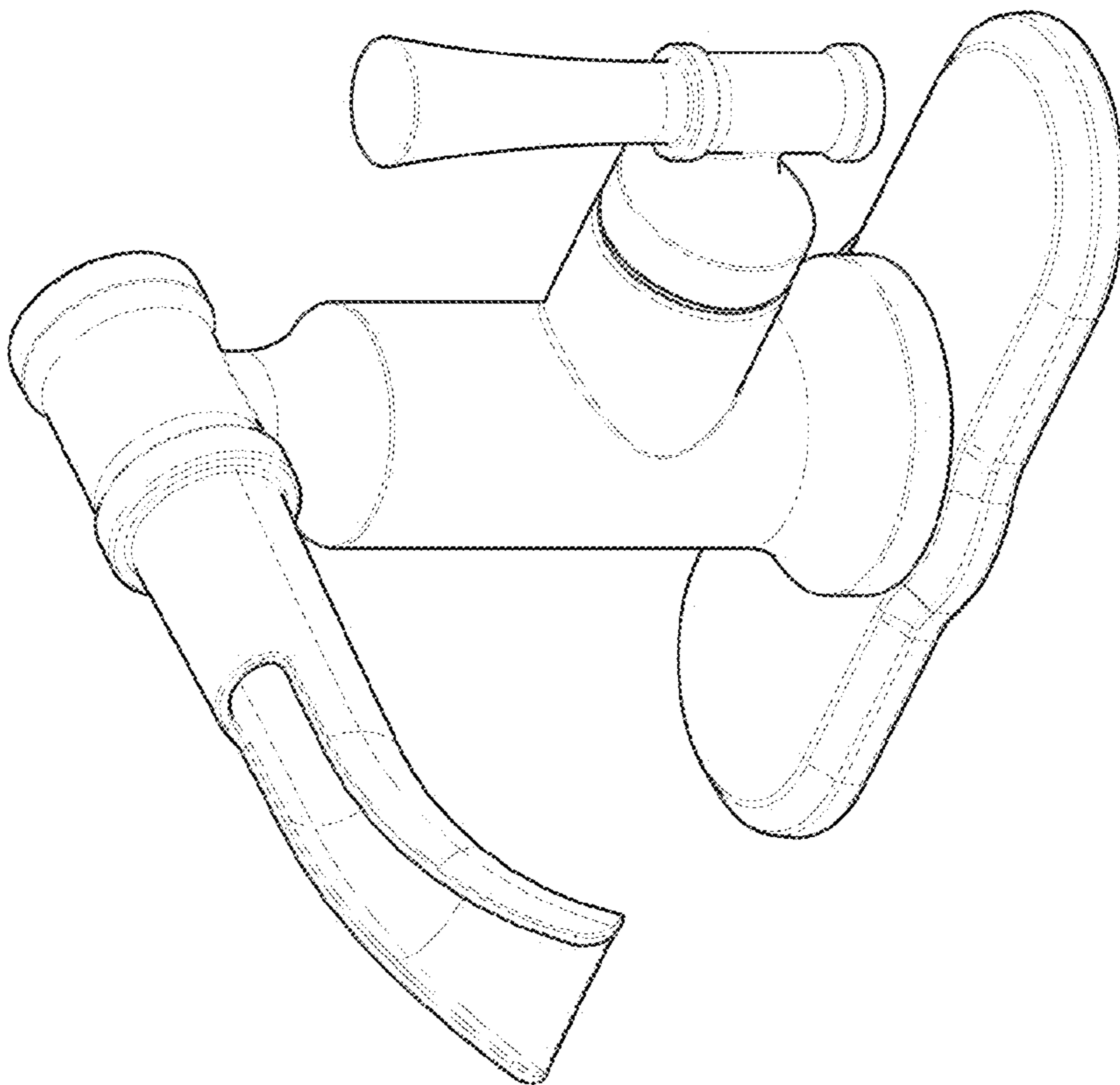


FIG - 1

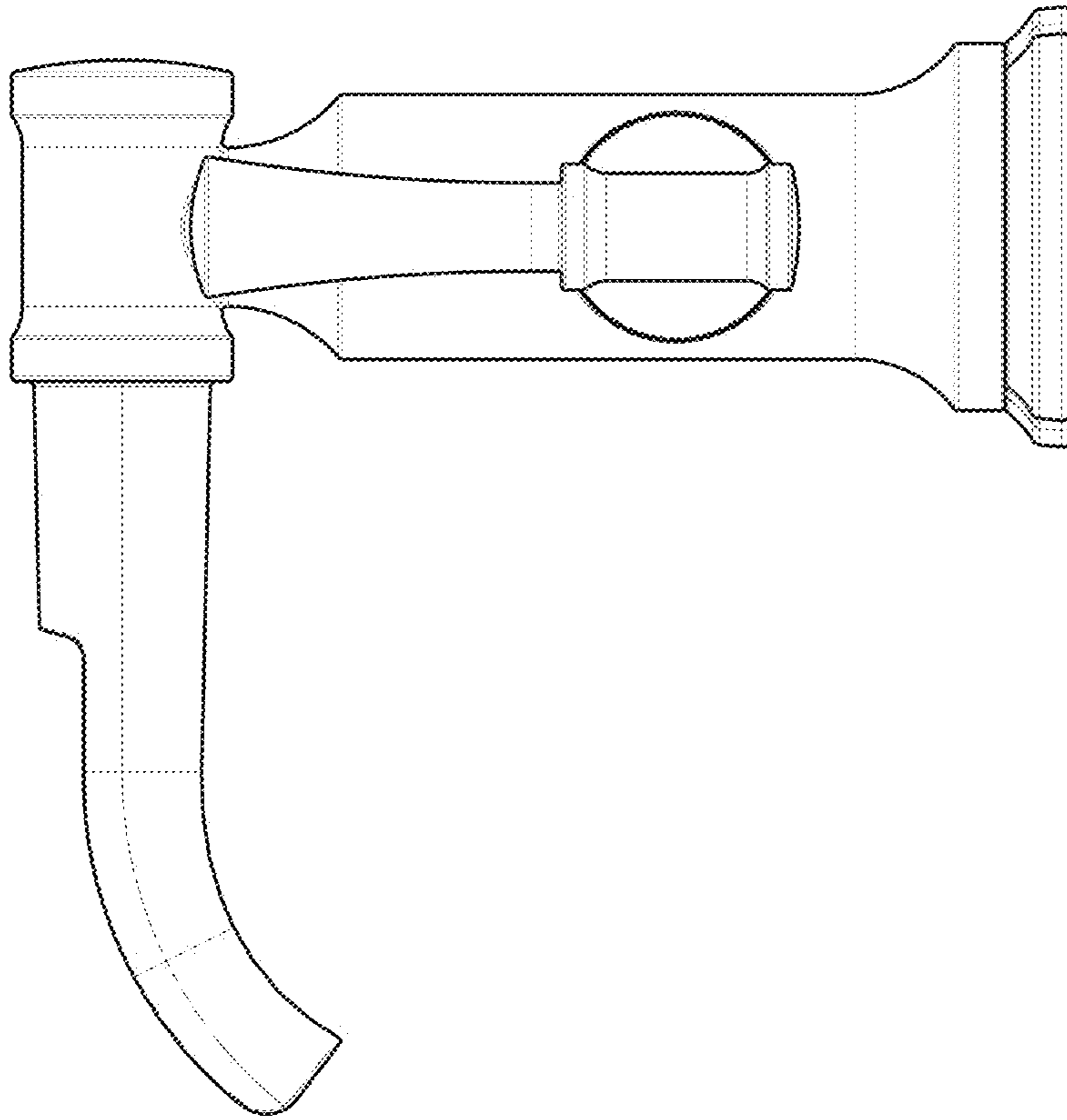


FIG - 4

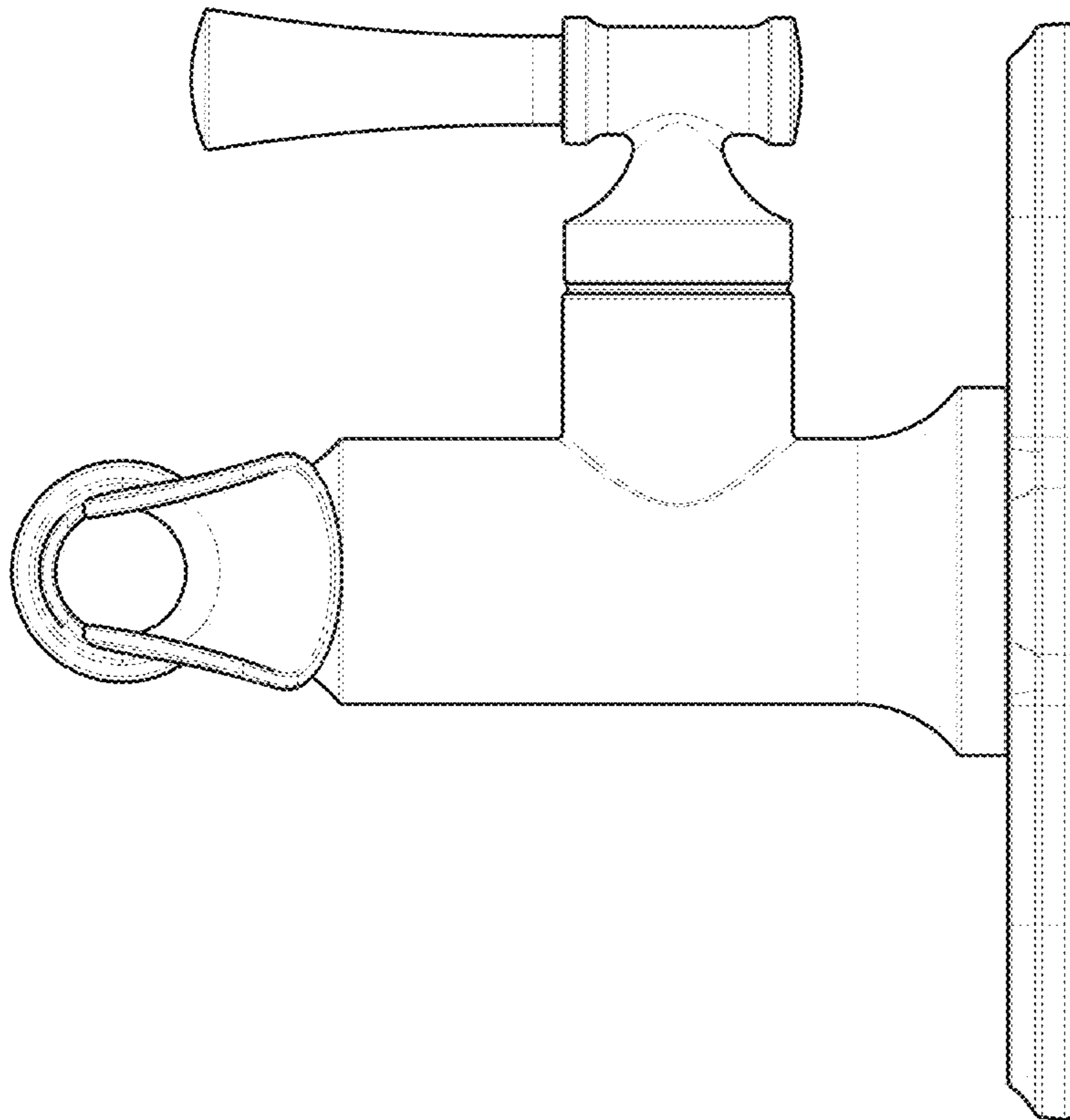


FIG - 3

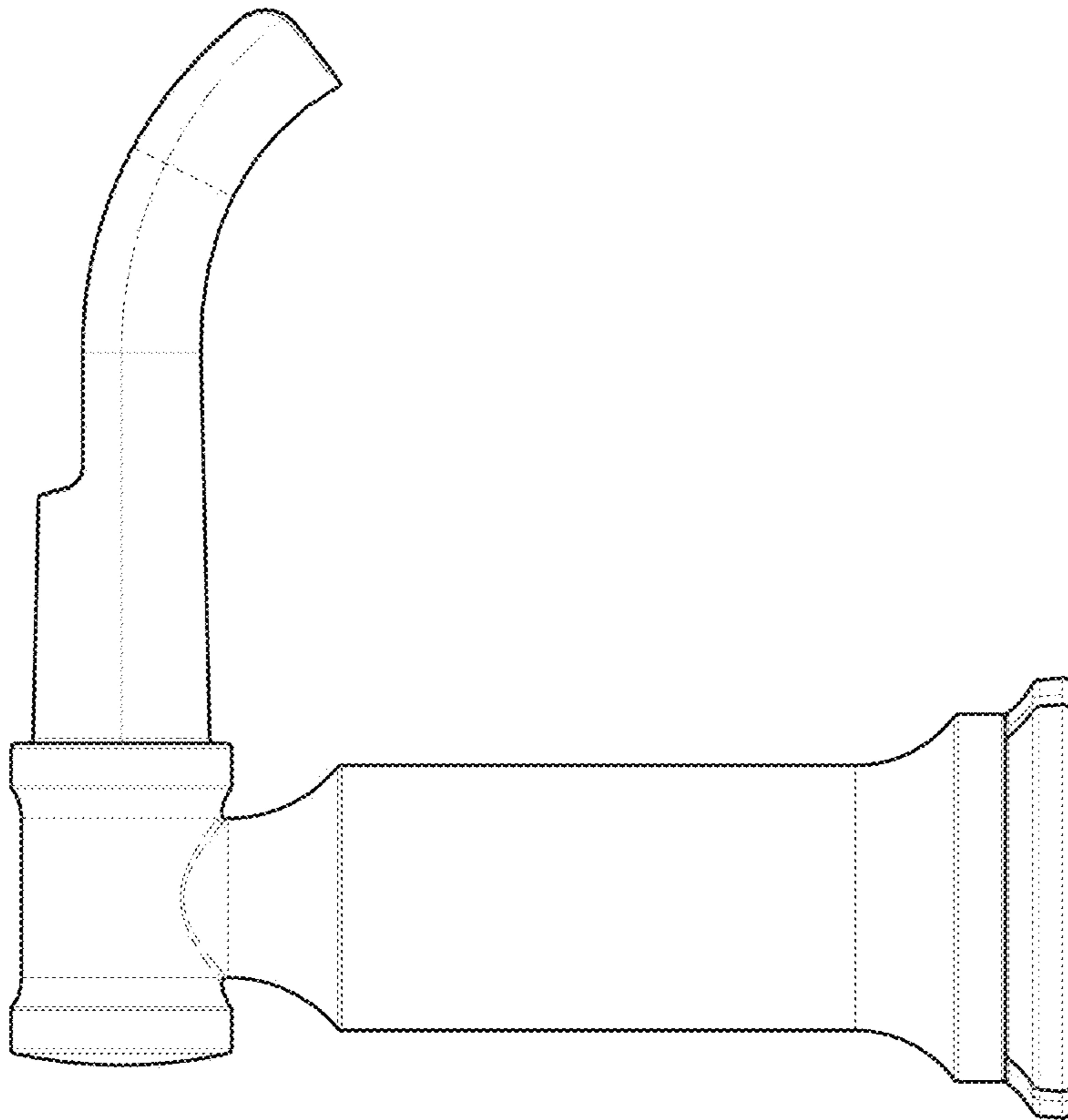


FIG - 6

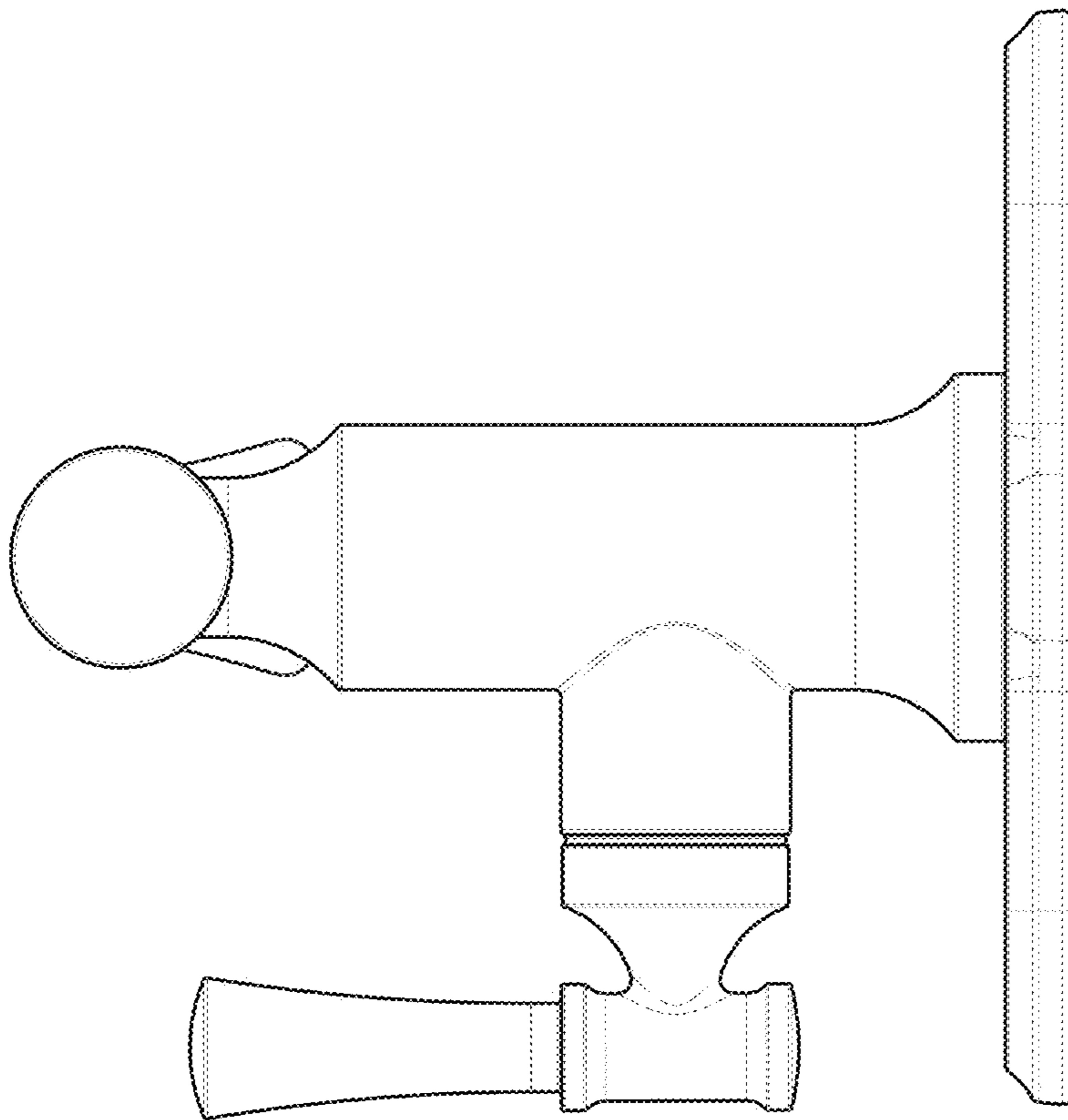


FIG - 5

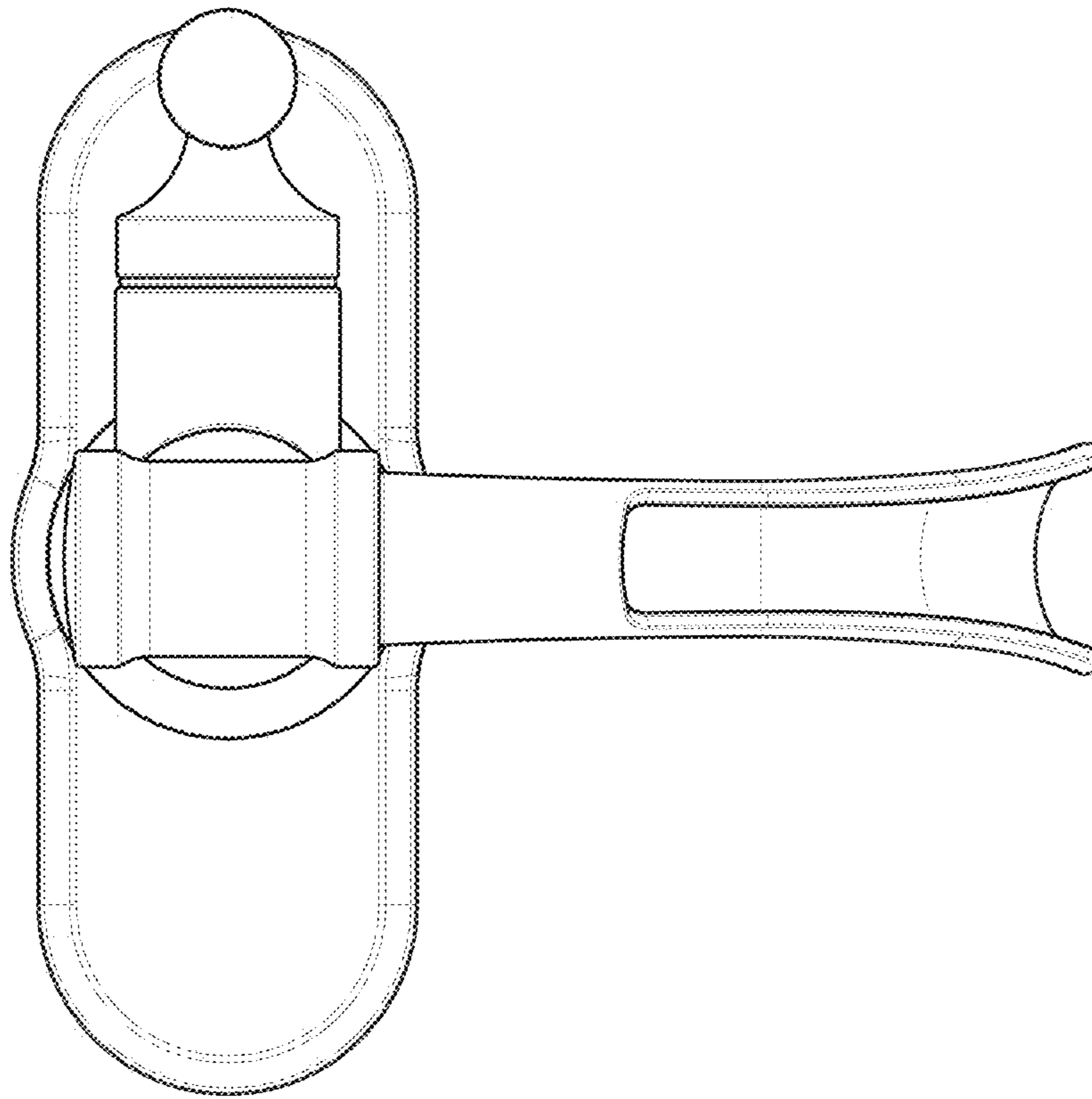


FIG. 7