



US00D933781S

(12) **United States Design Patent** (10) **Patent No.:** **US D933,781 S**  
**Masalin et al.** (45) **Date of Patent:** **\*\* Oct. 19, 2021**

(54) **ADJUSTABLE WATERING NOZZLE**

(71) Applicant: **Fiskars Finland Oy Ab**, Helsinki (FI)

(72) Inventors: **Petteri Masalin**, Helsinki (FI); **Sami Lyytikäinen**, Helsinki (FI); **Timo Sutinen**, Helsinki (FI)

(73) Assignee: **FISKARS FINLAND OY AB**, Helsinki (FI)

(\*\*) Term: **15 Years**

(21) Appl. No.: **29/698,453**

(22) Filed: **Jul. 17, 2019**

(30) **Foreign Application Priority Data**

Jan. 22, 2019 (EM) ..... 006081139

(51) **LOC (13) Cl.** ..... **23-01**

(52) **U.S. Cl.**  
USPC ..... **D23/223**

(58) **Field of Classification Search**  
USPC ..... D23/207, 213, 214, 215, 223, 224, 226,  
D23/229, 230

CPC ..... A61H 9/0021; A61H 33/00; B05B 1/00;  
B05B 1/14; B05B 1/185; B05B 1/08;  
B05B 1/02; B05B 1/26; B05B 12/002;  
B05B 1/18; B05B 9/01

See application file for complete search history.

(56) **References Cited**

**U.S. PATENT DOCUMENTS**

D384,484 S *	9/1997	Ibarra .....	D23/213
D412,557 S *	8/1999	Palestrant .....	D23/214
D487,135 S *	2/2004	Lord .....	D23/245
D519,190 S *	4/2006	Lord .....	D23/238
D522,614 S *	6/2006	Ko .....	D23/213
D535,357 S *	1/2007	Zhou .....	D23/238
D541,375 S *	4/2007	Buttgen .....	D23/213

D545,403 S *	6/2007	Kemp .....	D23/213
D550,326 S *	9/2007	Huang .....	D23/213
D580,023 S *	11/2008	Gilbert .....	D23/255
D583,015 S *	12/2008	Soriano .....	D23/249
D639,386 S *	6/2011	Cummings .....	D23/213
D668,743 S *	10/2012	Kennedy .....	D23/213
D713,508 S *	9/2014	Downey .....	D23/238
D719,242 S *	12/2014	Kim .....	D23/255
D754,301 S *	4/2016	Bahler .....	D23/255
D758,552 S *	6/2016	Rexach .....	D23/255

(Continued)

**OTHER PUBLICATIONS**

<https://www.fiskars.eu/products/gardening/watering/hose-nozzle-1027088> (Year: 2020).\*

(Continued)

*Primary Examiner* — Jack Reickel

*Assistant Examiner* — Keith J Wilson

(74) *Attorney, Agent, or Firm* — Leason Ellis LLP

(57) **CLAIM**

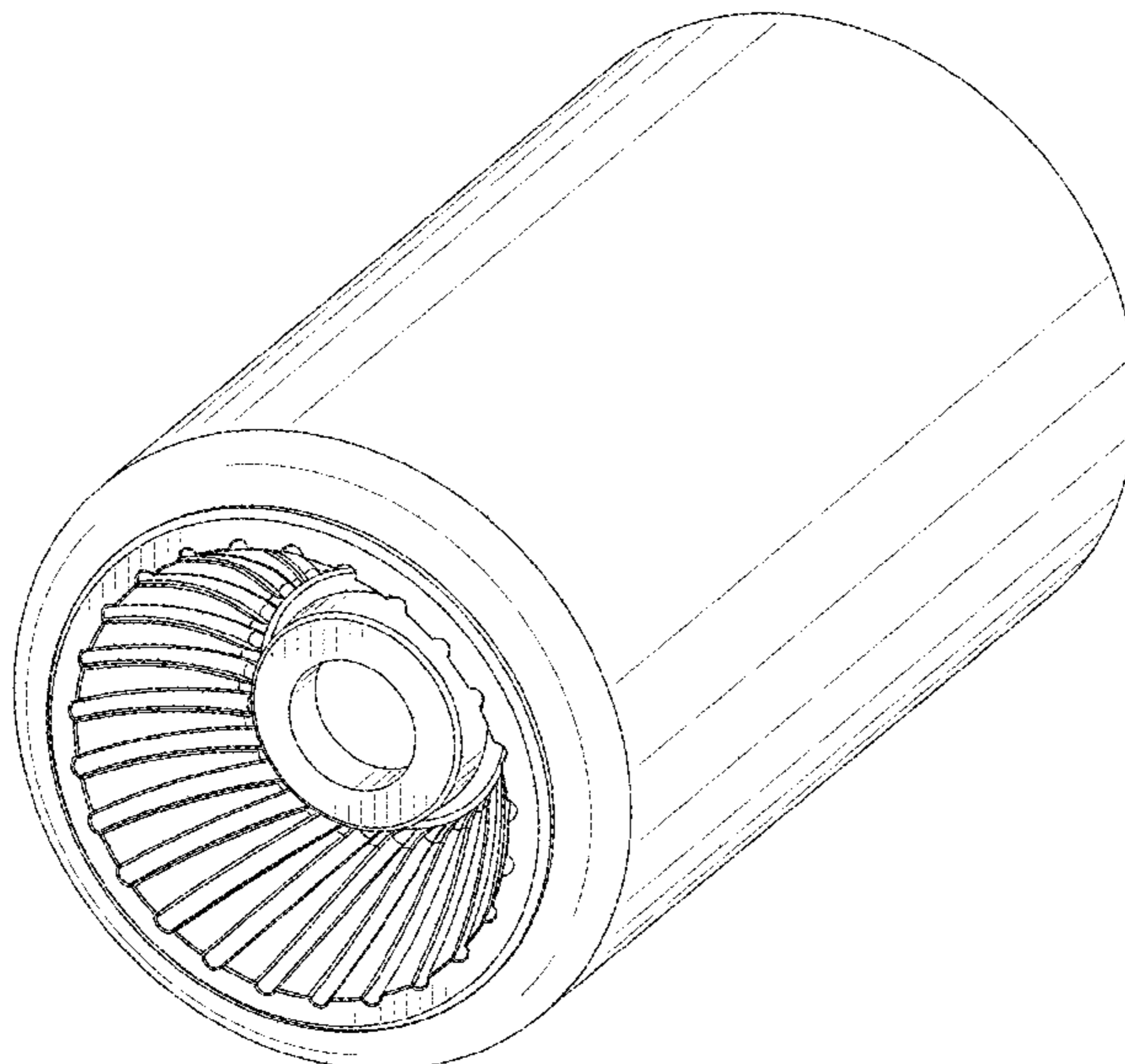
The ornamental design for an adjustable watering nozzle, as shown and described.

**DESCRIPTION**

FIG. 1 is a top perspective view of an adjustable watering nozzle according to our new design; FIG. 2 is a front view thereof; FIG. 3 is a rear view thereof; FIG. 4 is a left side view thereof; FIG. 5 is a right side view thereof; FIG. 6 is a top plan view thereof; and, FIG. 7 is a bottom plan view thereof.

The broken line shown represents portions of an adjustable watering nozzle and form no part of the claimed design. Conventional shading is illustrated for purposes of highlighting the line drawings, but forms no part of the claimed design.

**1 Claim, 7 Drawing Sheets**



(56)

**References Cited**

## U.S. PATENT DOCUMENTS

D797,257 S \* 9/2017 Potter ..... D23/255  
D802,091 S \* 11/2017 Bahler ..... D23/213  
D805,611 S \* 12/2017 Rexach ..... D23/257  
D819,169 S \* 5/2018 Osborne ..... D23/213  
D842,429 S \* 3/2019 Huang ..... D23/213  
D842,430 S \* 3/2019 Huang ..... D23/213  
D847,951 S \* 5/2019 Zhang ..... D23/238  
D866,707 S \* 11/2019 Eads ..... D23/213  
D866,708 S \* 11/2019 Bahler ..... D23/213  
D867,522 S \* 11/2019 Tentler ..... D23/213  
D867,523 S \* 11/2019 Tentler ..... D23/213  
D867,524 S \* 11/2019 Tentler ..... D23/213  
D867,525 S \* 11/2019 Eads ..... D23/213  
D867,527 S \* 11/2019 Eads ..... D23/213  
D870,234 S \* 12/2019 Judge ..... D23/213  
D870,845 S \* 12/2019 Eads ..... D23/213  
D871,543 S \* 12/2019 Bundy ..... D23/213  
D873,957 S \* 1/2020 Daudish ..... D23/223  
D874,613 S \* 2/2020 Park ..... D23/238  
D894,338 S \* 8/2020 Lai ..... D23/213  
D895,065 S \* 9/2020 Lai ..... D23/213  
2007/0252022 A1 \* 11/2007 Benstead ..... B05B 1/1618  
239/590.5  
2016/0136659 A1 \* 5/2016 Erickson ..... B05B 1/1618  
239/443

## OTHER PUBLICATIONS

“[Dramm Nozzle]” [Jun. 11, 2014], [amazon.com], [Feb. 27, 2021]:  
[URL] <https://www.amazon.com/Dramm-12343-Heavy-Duty-Aluminum-Breaker/dp/B001O83LMQ/> (Year: 2014).\*

\* cited by examiner

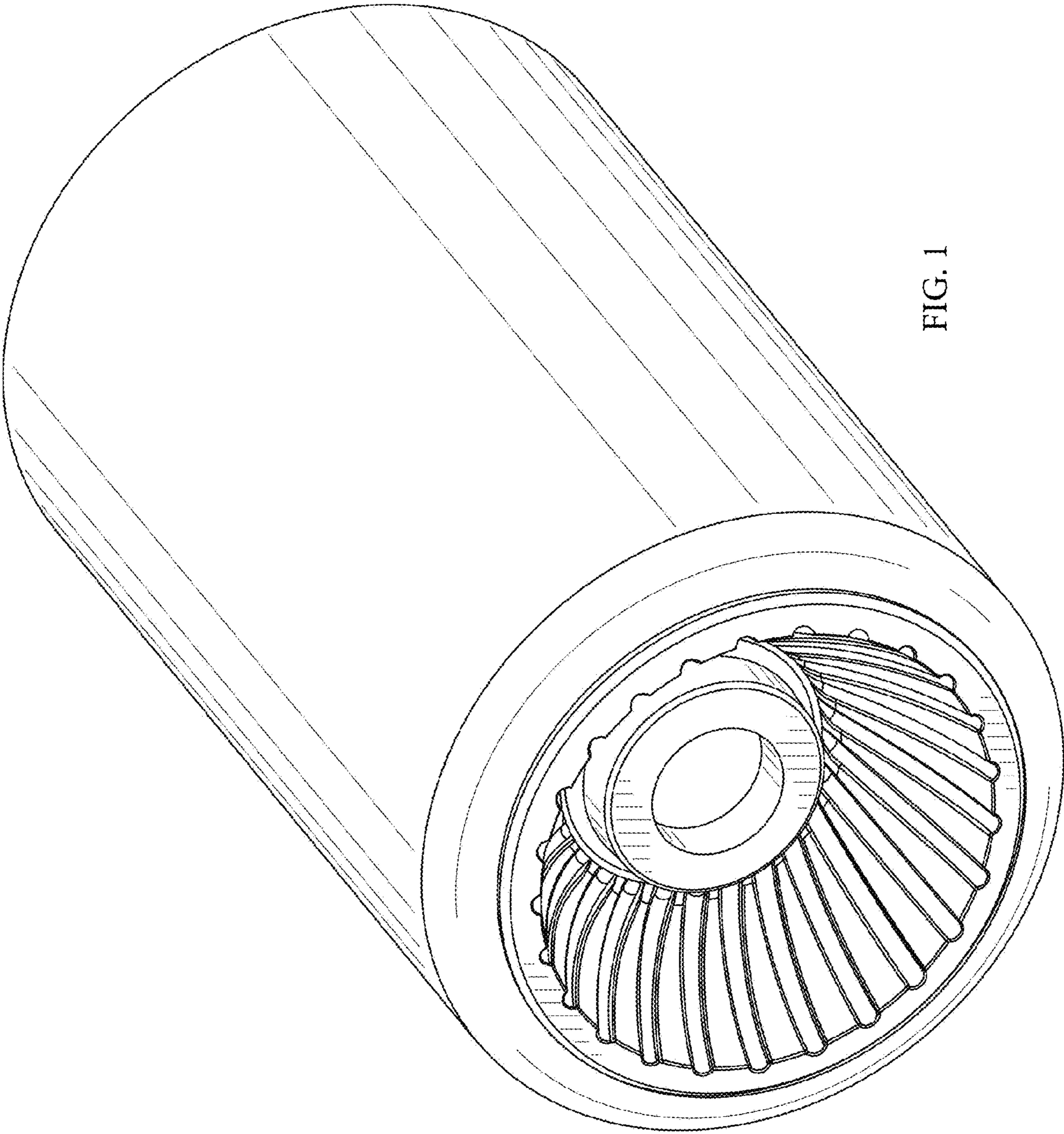


FIG. 1

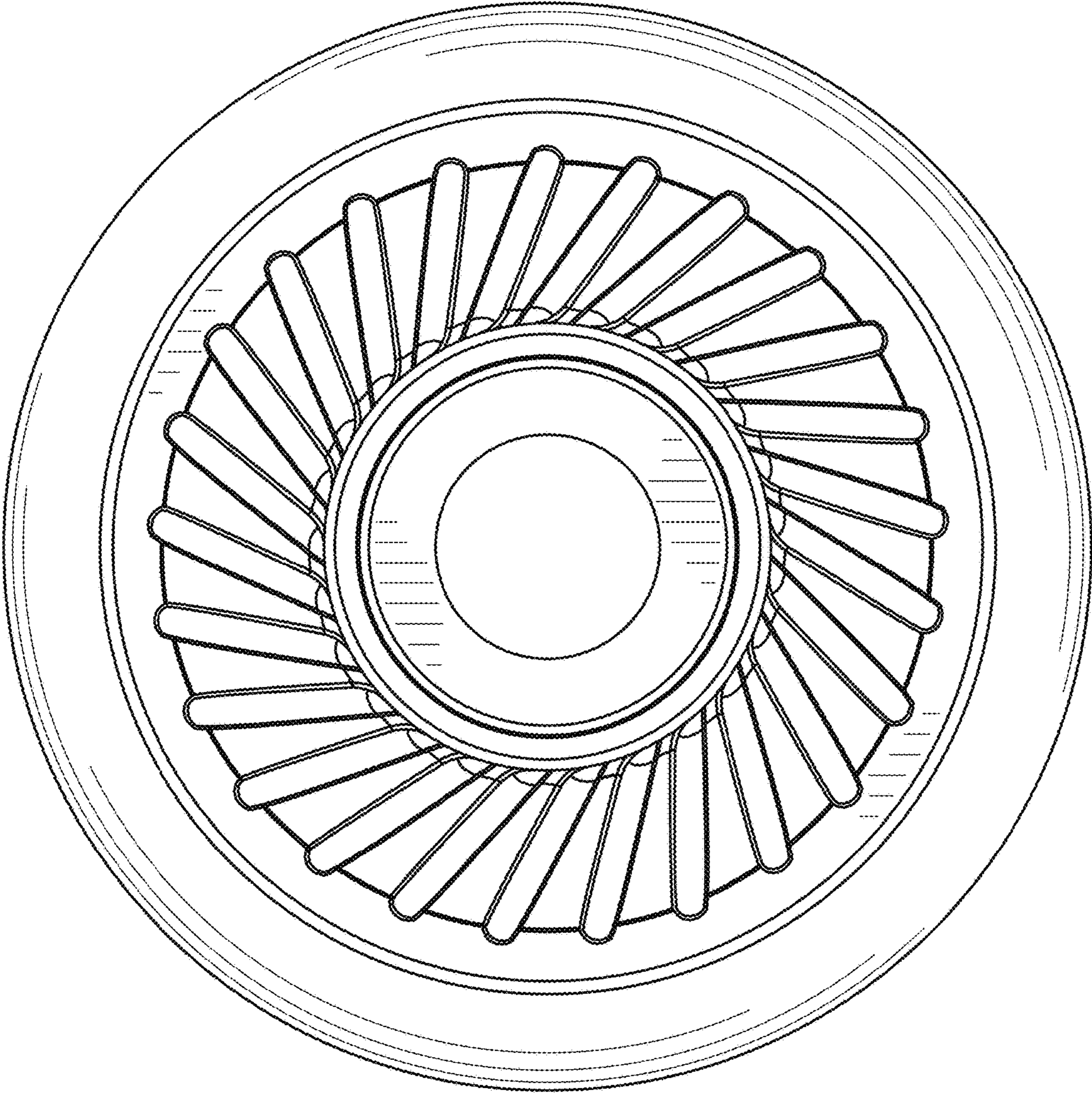


FIG. 2

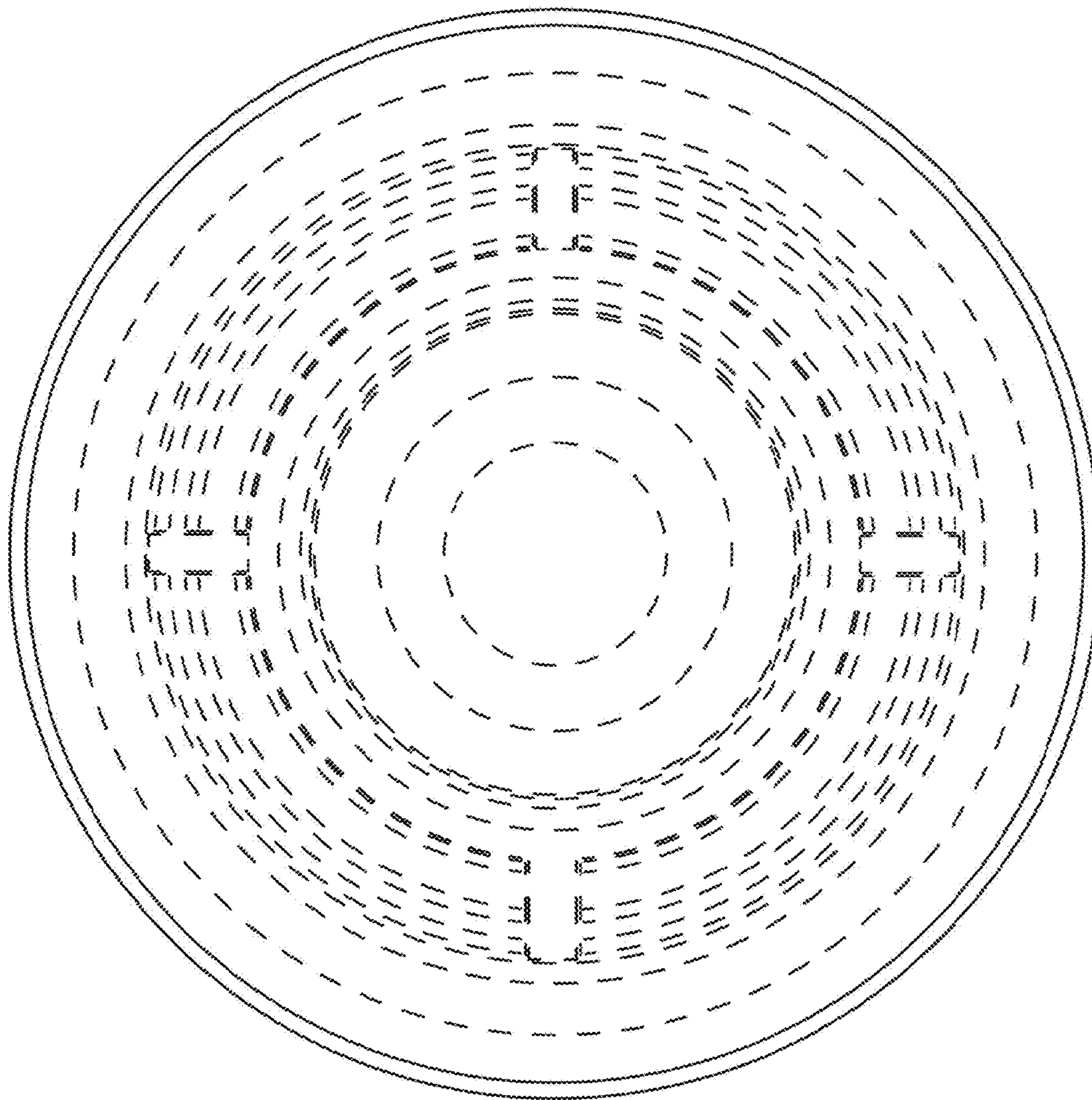


FIG. 3

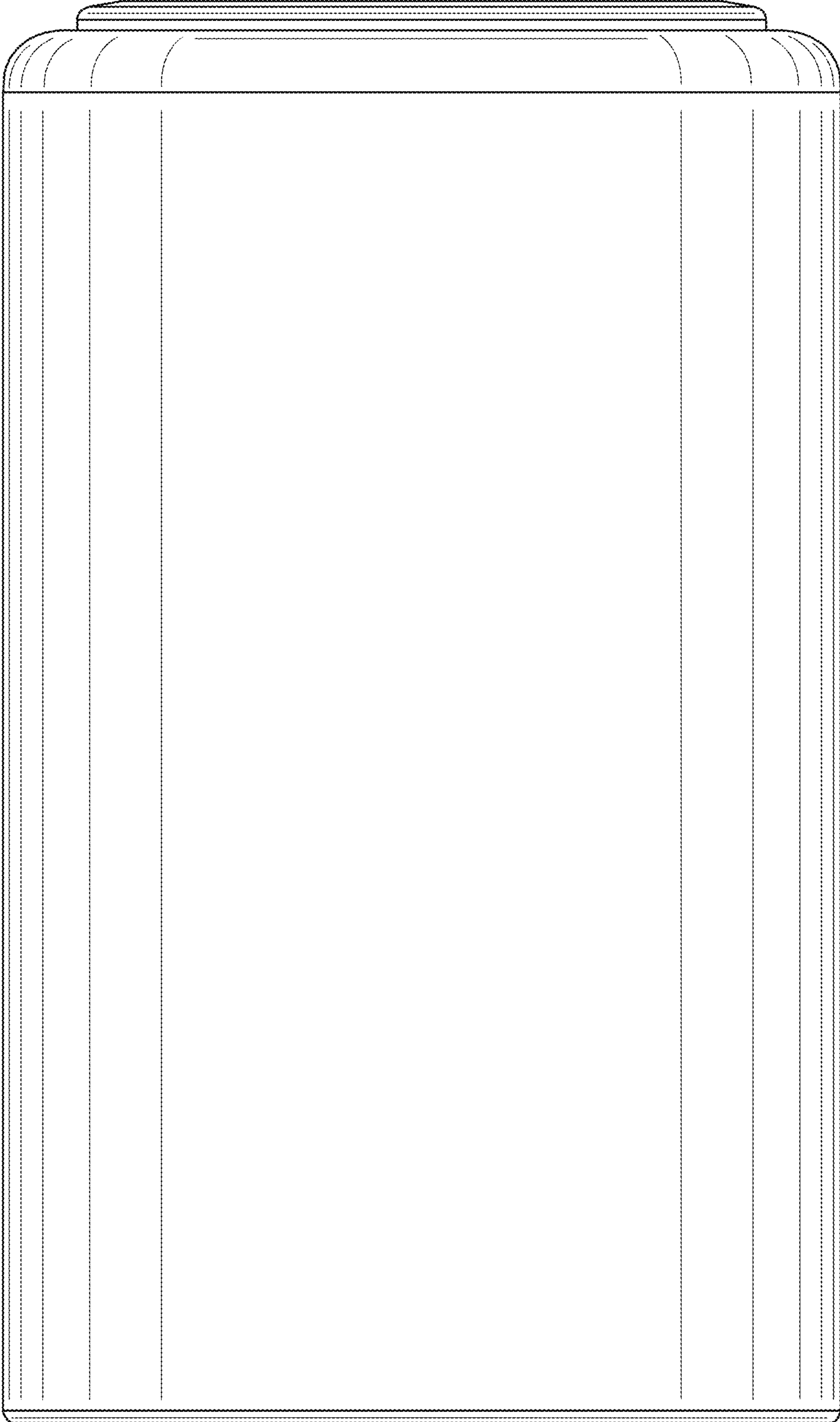


FIG. 4

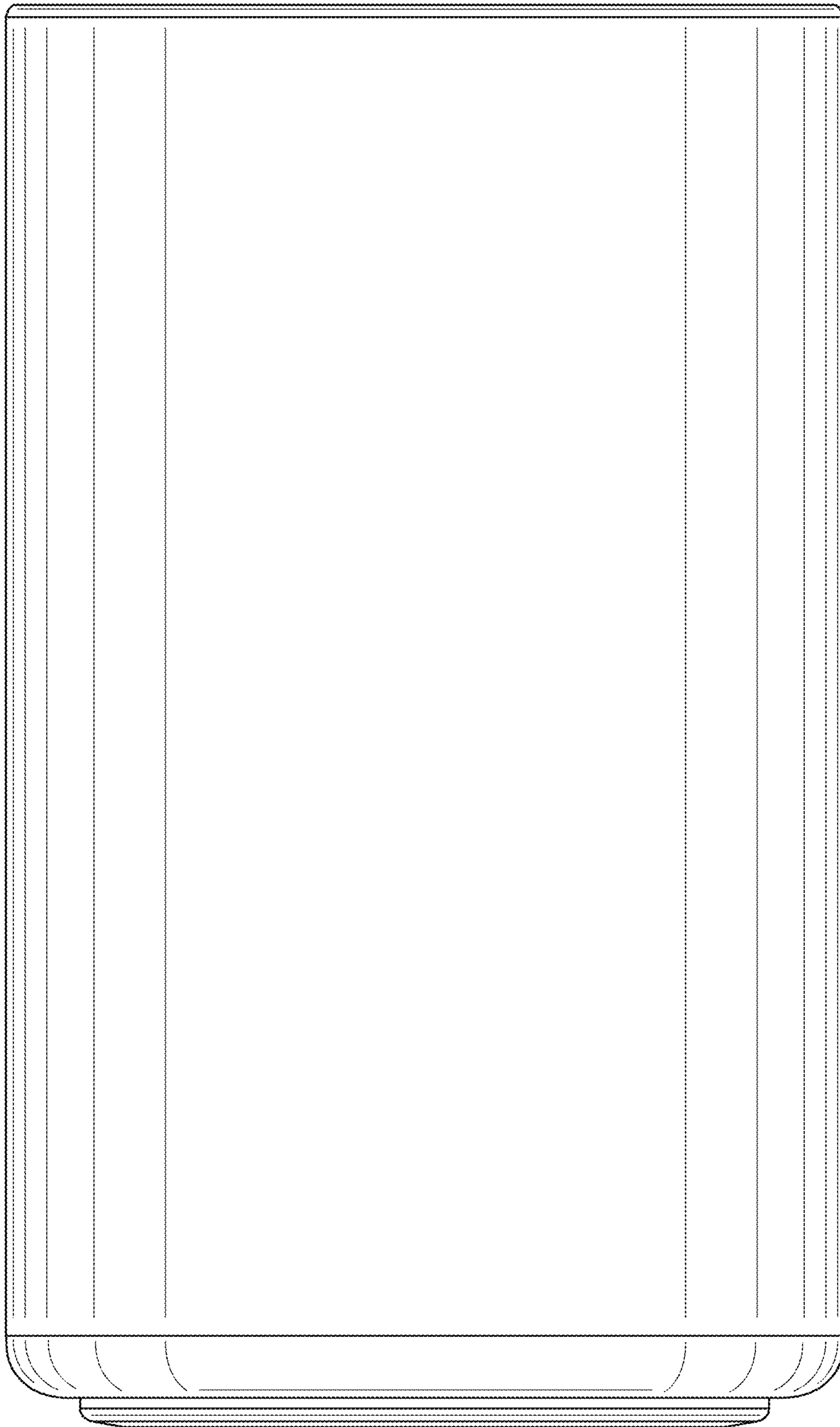


FIG. 5

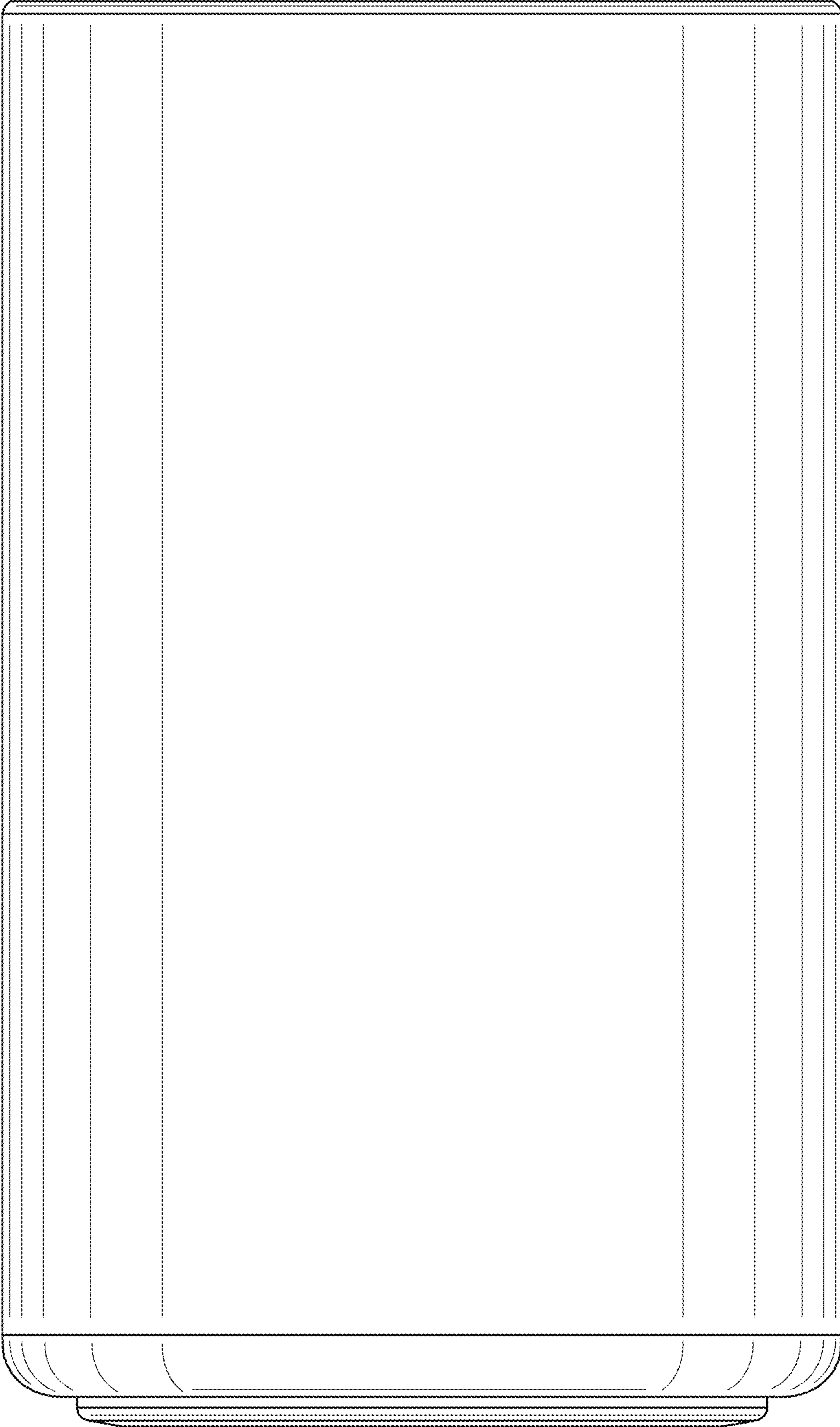


FIG. 6



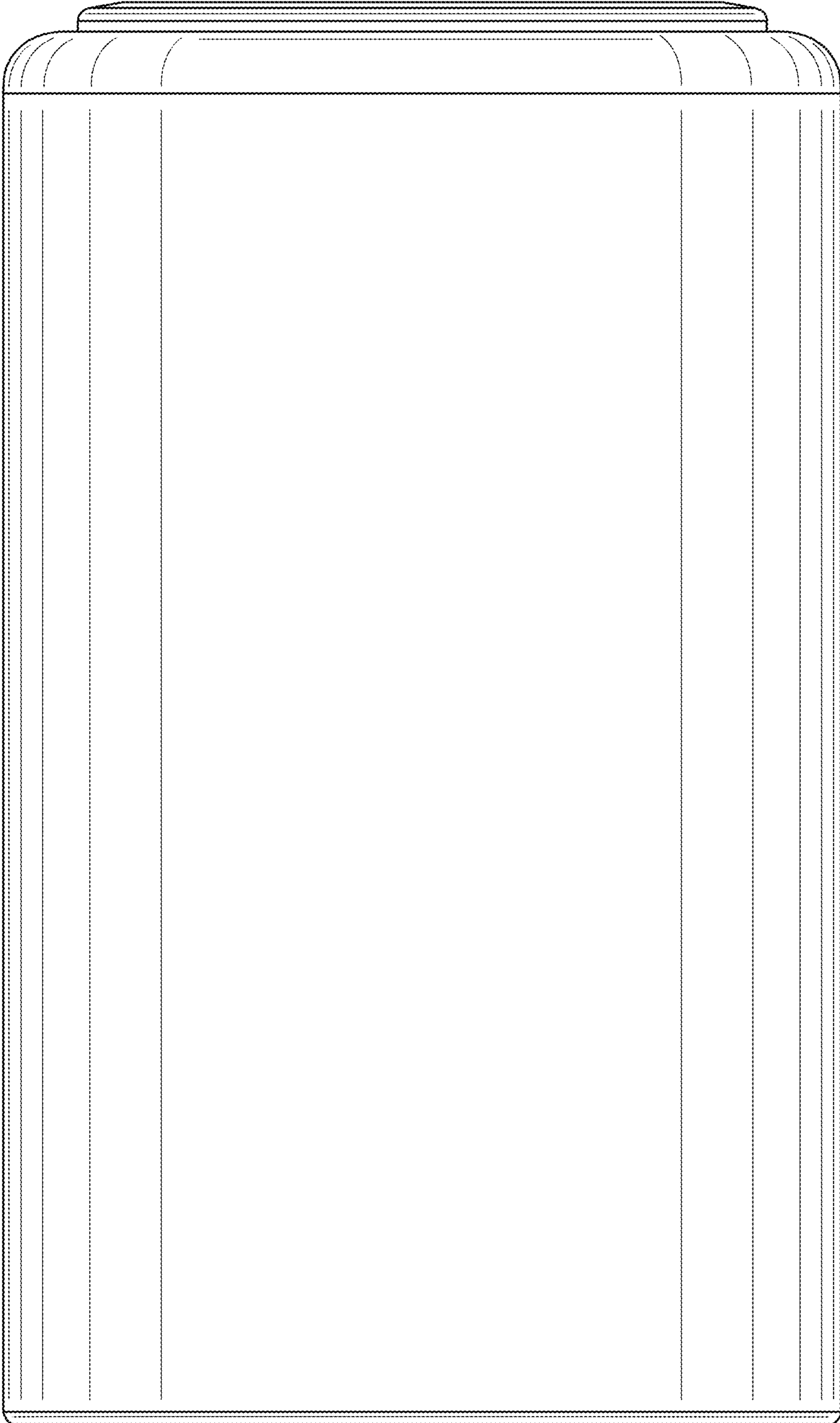


FIG. 7