



US00D933779S

(12) **United States Design Patent**
Putman

(10) **Patent No.:** **US D933,779 S**
(45) **Date of Patent:** **** Oct. 19, 2021**

- (54) **LAWN SPRINKLER DEFLECTOR**
- (71) Applicant: **Michael Putman**, Los Angeles, CA (US)
- (72) Inventor: **Michael Putman**, Los Angeles, CA (US)
- (**) Term: **15 Years**
- (21) Appl. No.: **29/711,400**
- (22) Filed: **Oct. 30, 2019**
- (51) **LOC (13) Cl.** **23-01**
- (52) **U.S. Cl.**
USPC **D23/214**
- (58) **Field of Classification Search**
USPC D23/214, 227, 229-230; D8/349, 354, D8/380, 382
CPC B05B 15/04; B05B 15/0443; B05B 15/04437; B05B 15/001
See application file for complete search history.

- 7,353,882 B2 * 4/2008 Pahila A62C 37/14 169/16
- D708,504 S 7/2014 Kaplan
- D721,943 S * 2/2015 Kaplan D8/354
- 8,985,481 B2 3/2015 Bartlett
- 9,687,862 B2 * 6/2017 Brewer B05B 1/267
- (Continued)

OTHER PUBLICATIONS

Amerimax Gusher Guard Aluminum Gutter Shield, Sep. 4, 2018, Lowes.com, Jun. 2, 2021 <https://www.lowes.com/pd/Amerimax-Gusher-Guard-Aluminum-Gutter-Shield-3-in-x-0-5833-ft> (Year: 2018).*
(Continued)

Primary Examiner — Jack Reickel
Assistant Examiner — Keith J Wilson
(74) *Attorney, Agent, or Firm* — Lance M. Pritikin

(57) **CLAIM**

The ornamental design for a lawn sprinkler deflector, as shown and described.

DESCRIPTION

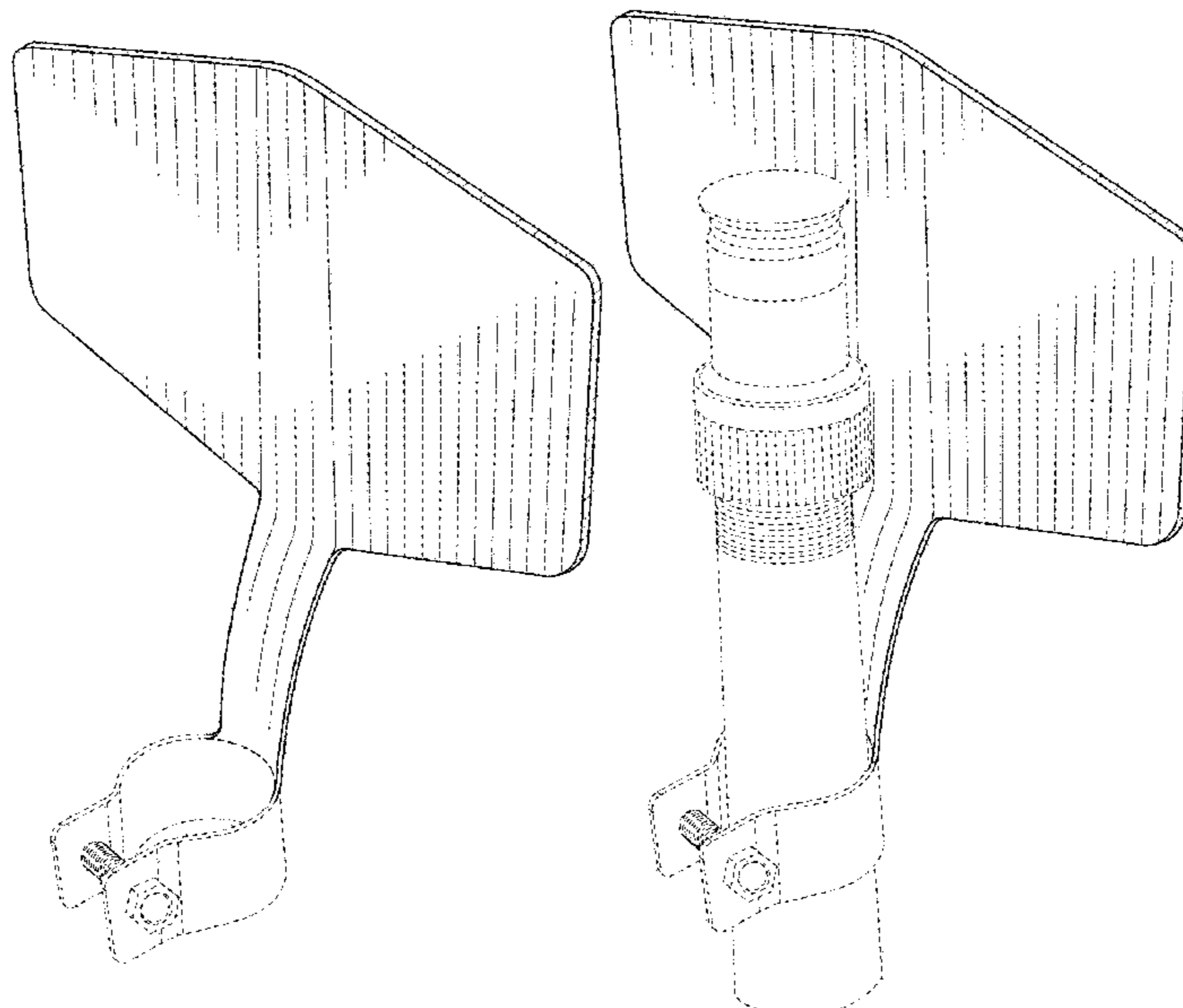
FIG. 1 is a front perspective view of the lawn sprinkler deflector, showing my new design;
FIG. 2 is a front elevational view thereof;
FIG. 3 is a rear elevational view thereof;
FIG. 4 is a right side elevational view thereof;
FIG. 5 is a left side elevational view thereof;
FIG. 6 is a top plan view thereof;
FIG. 7 is a bottom plan view thereof; and,
FIG. 8 is a further front perspective view thereof, showing the lawn sprinkler deflector in clamping engagement with a sprinkler riser.
The broken lines in FIGS. 1-8 are for the purpose of illustrating portions of the lawn sprinkler deflector and environmental structure that form no part of the claimed design.

(56) **References Cited**

U.S. PATENT DOCUMENTS

- 2,298,765 A 10/1942 Johnson
- 2,751,250 A 6/1956 Block
- 3,009,652 A 11/1961 McKay
- D207,848 S * 6/1967 Royer D23/229
- 3,703,993 A 11/1972 Schreiner
- 3,797,746 A 3/1974 Gray et al.
- 4,117,887 A 10/1978 Anderson
- 4,461,423 A * 7/1984 Davis B05B 3/08 239/231
- 4,484,709 A 11/1984 Hosie
- D312,296 S * 11/1990 Smallwood D23/214
- 5,211,338 A 5/1993 Leite et al.
- D418,577 S * 1/2000 Davis D23/227
- 7,066,404 B1 6/2006 Kollar
- 7,137,455 B2 * 11/2006 Green A62C 31/02 169/37

1 Claim, 6 Drawing Sheets



(56)

References Cited

U.S. PATENT DOCUMENTS

D894,339 S * 8/2020 Ohkoshi D23/214
2013/0020409 A1 * 1/2013 Bartlett B05B 15/16
239/288

OTHER PUBLICATIONS

Eagle 1 Rain Gutter Valley Splash Guards , Jan. 15, 2020, Amazon.com, Aug. 17, 2021.URL: <https://www.amazon.com/Gutter-Valley-Splash-Guards-Screws/dp/B083WNQV6Q/> (Year: 2020).*

LC LICTOP 2"x2" L Shape Corner Bracket Plastic Right Angle Corner Brace, Mar. 13, 2019, Amazon.com, Aug. 17, 2021.URL: <https://www.amazon.com/LICTOP-Shape-Corner-Bracket-Plastic/dp/B07PQFQGX8/> (Year: 2019).*

Monster Riser Snap On Adjustable Straight Shield , Sep. 1, 2017, Amazon.com, Aug. 17, 2021.URL: <https://www.amazon.com/Monster-Riser-Adjustable-Straight-Shield/dp/B00FVZMZMK> (Year: 2017).*

Cobra Sprinkler Shield; ebay.com product webpage.

Monster in Ground Adjustable Shield for Pop Up Sprinkler Heads; Amazon.com product webpage.

Monster In Ground Corner Sprinkler Shield Non-Adjustable for Pop Up Sprinkler Heads; Amazon.com product webpage.

Orbit 53161 Sprinkler Splash Guard; Amazon.com product webpage.

Orbit Impact Spray Guard with Pegs; Walmart.com product webpage.

Sprinkler Deflector Pack of 10; DirectPivotParts.com product webpage.

SprinklerMate Sprinkler Shield—Overspray Deflector; ebay.com product webpage.

* cited by examiner

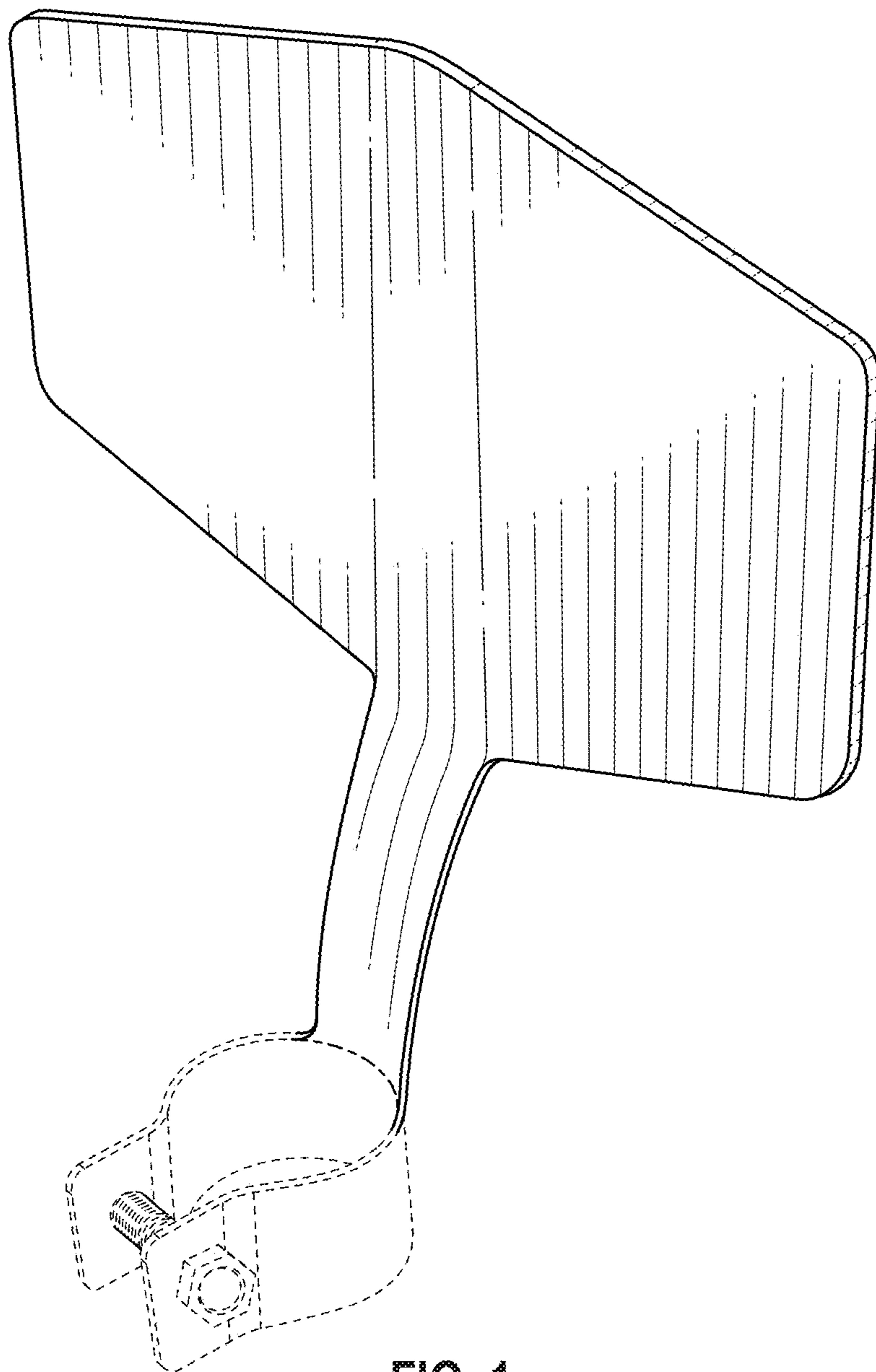


FIG. 1

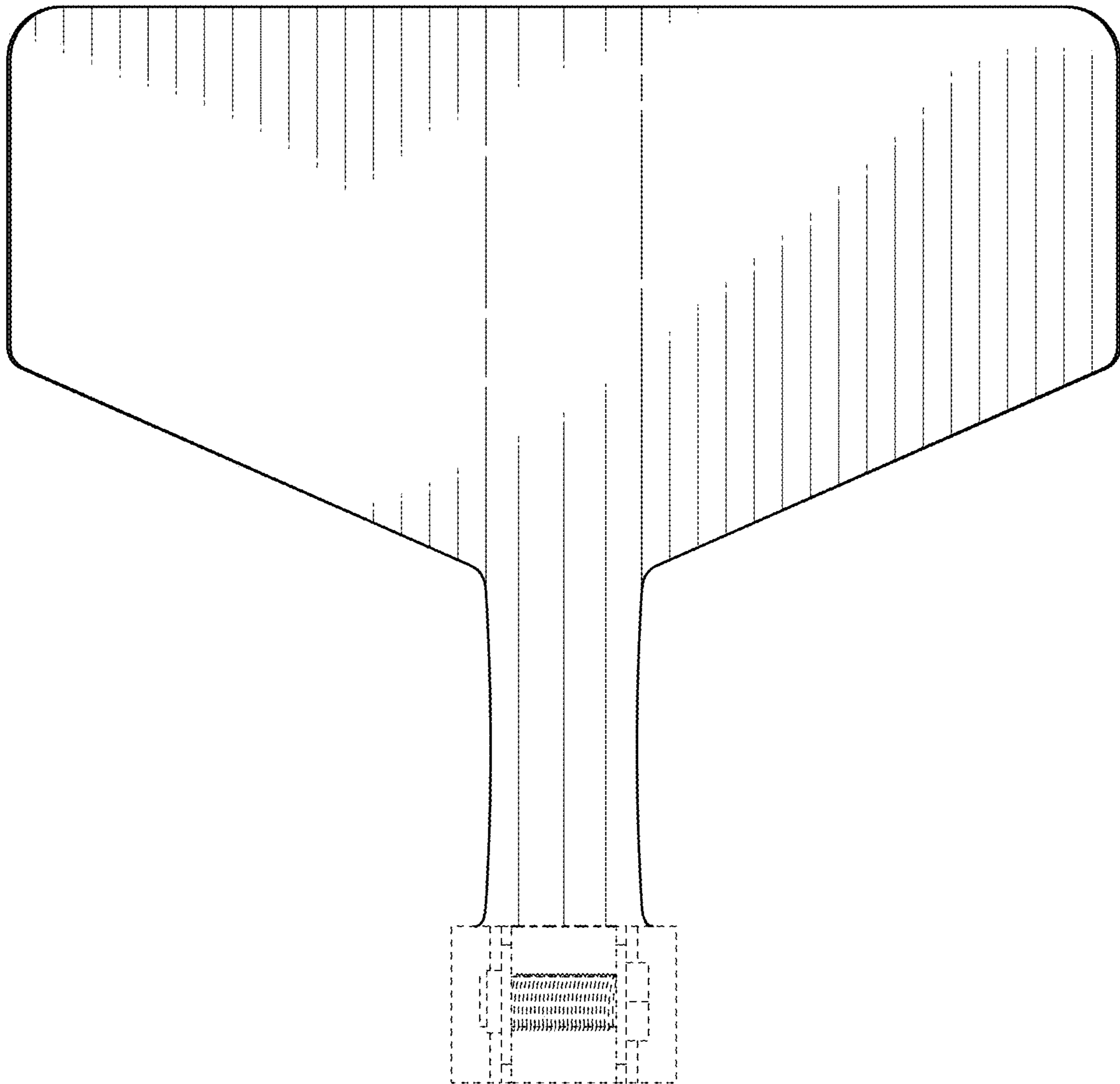


FIG. 2

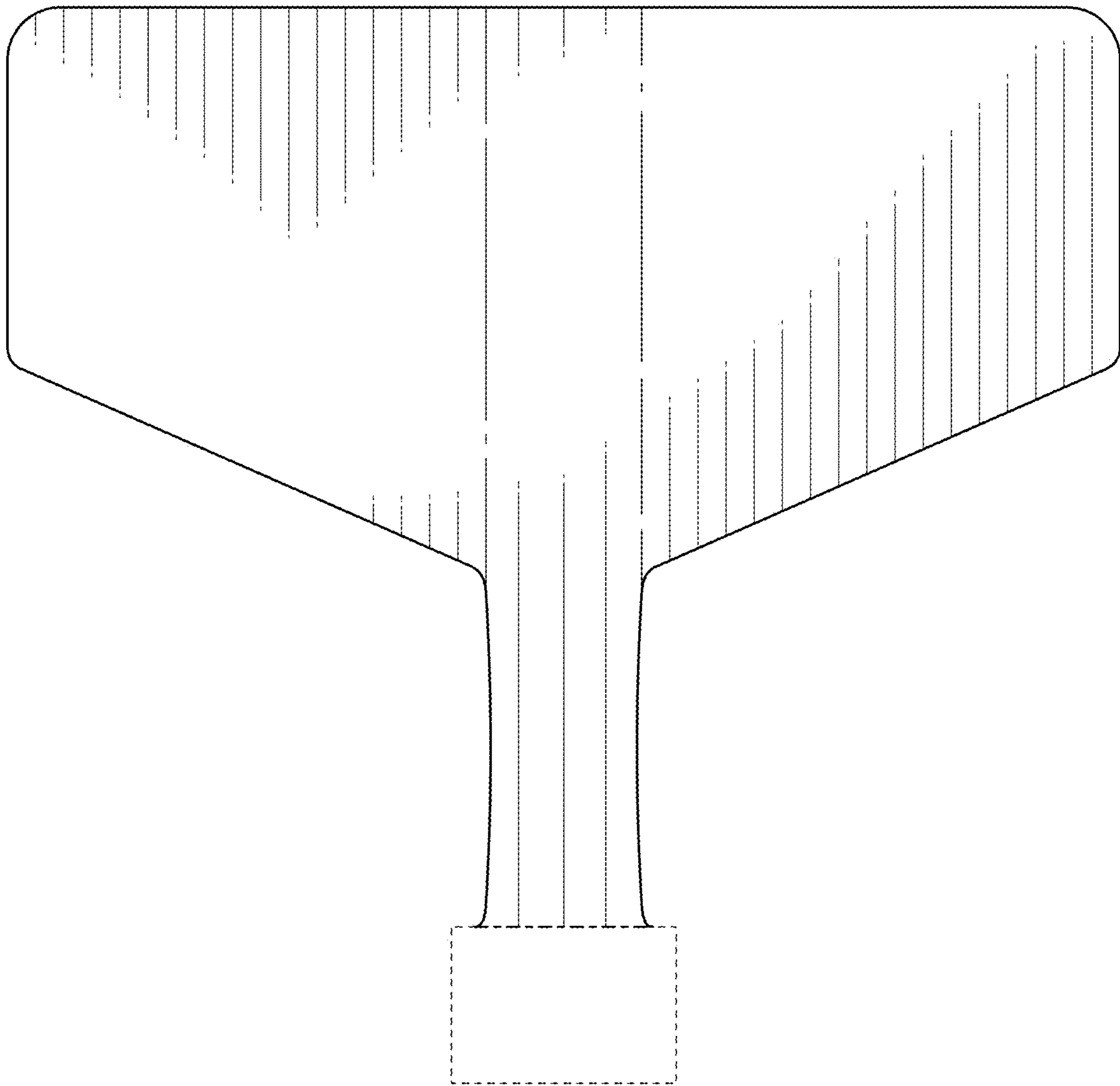


FIG. 3

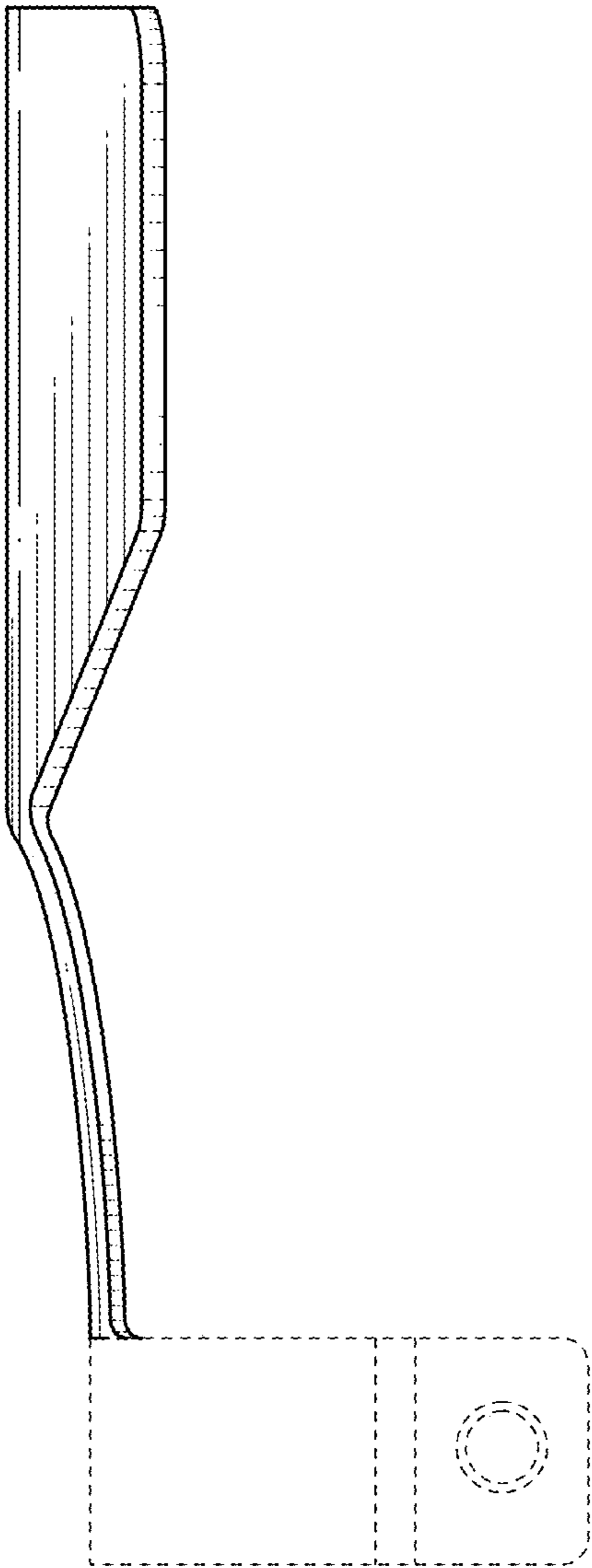


FIG. 4

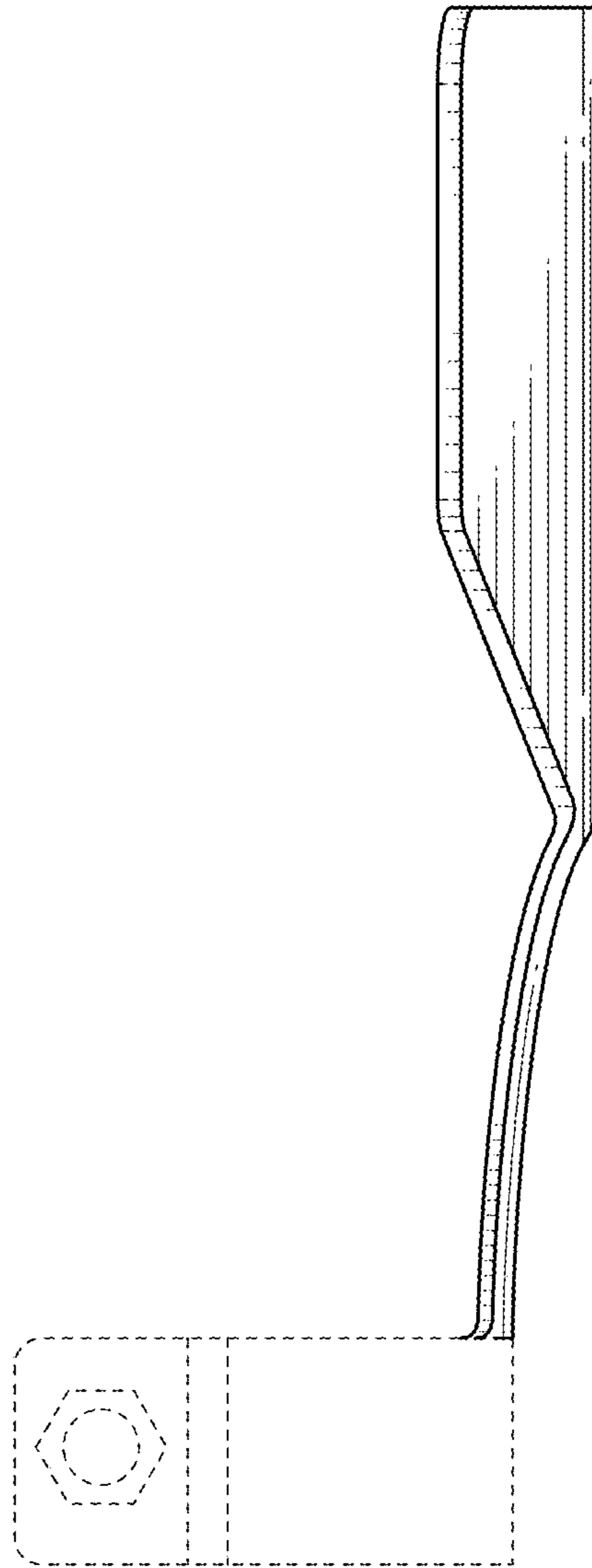


FIG. 5

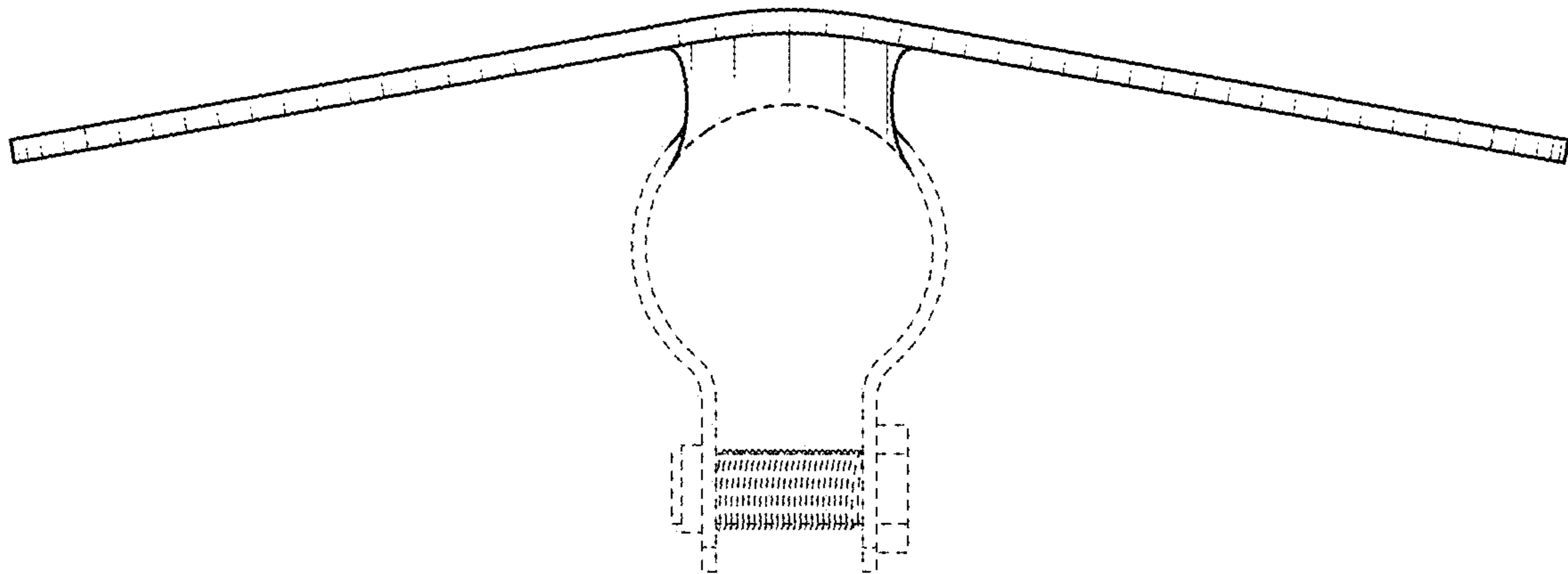


FIG. 6

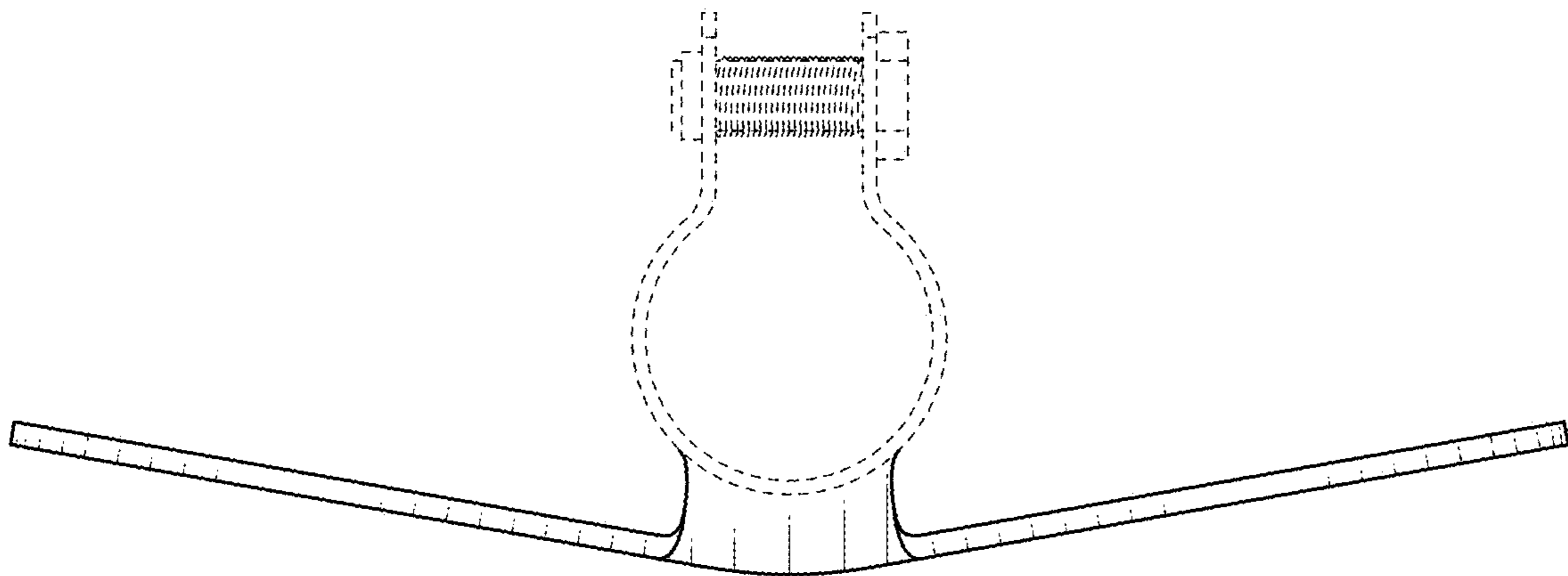


FIG. 7

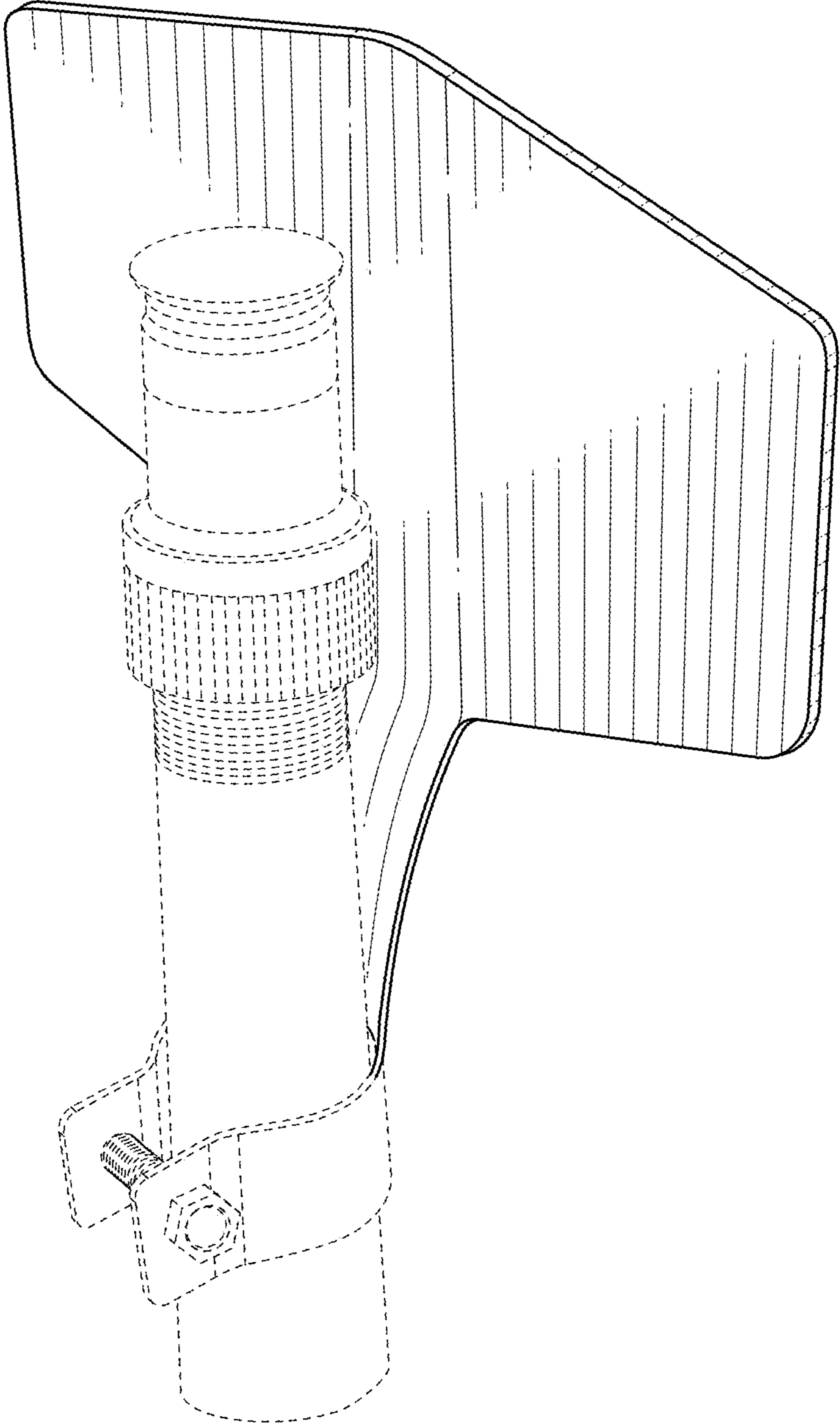


FIG. 8