



US00D933777S

(12) **United States Design Patent**
Masalin et al.

(10) **Patent No.:** **US D933,777 S**

(45) **Date of Patent:** **** Oct. 19, 2021**

(54) **WATERING NOZZLE**

(71) Applicant: **Fiskars Finland Oy Ab**, Helsinki (FI)

(72) Inventors: **Petteri Masalin**, Helsinki (FI); **Sami Lyytikäinen**, Helsinki (FI); **Timo Sutinen**, Helsinki (FI)

(73) Assignee: **FISKARS FINLAND OY AB**, Helsinki (FI)

(**) Term: **15 Years**

(21) Appl. No.: **29/698,456**

(22) Filed: **Jul. 17, 2019**

(30) **Foreign Application Priority Data**

Jan. 22, 2019 (EM) 006081139

(51) **LOC (13) Cl.** **23-01**

(52) **U.S. Cl.**
USPC **D23/213**

(58) **Field of Classification Search**
USPC D23/207, 213, 214, 215, 223, 224, 226,
D23/229, 230

CPC A61H 9/0021; A61H 33/00; B05B 1/00;
B05B 1/14; B05B 1/185; B05B 1/08;
B05B 1/02; B05B 1/26; B05B 12/002;
B05B 1/18; B05B 9/01

See application file for complete search history.

(56) **References Cited**

U.S. PATENT DOCUMENTS

D487,135 S * 2/2004 Lord D23/245
D519,190 S * 4/2006 Lord D23/238
D522,614 S * 6/2006 Ko D23/213
D535,357 S * 1/2007 Zhou D23/238
D550,326 S * 9/2007 Huang D23/213
D580,023 S * 11/2008 Gilbert D23/255
D583,015 S * 12/2008 Soriano D23/249

D713,508 S * 9/2014 Downey D23/238
D719,242 S * 12/2014 Kim D23/255
D754,301 S * 4/2016 Bahler D23/255
D758,552 S * 6/2016 Rexach D23/255
D797,257 S * 9/2017 Potter D23/255
D802,091 S * 11/2017 Bahler D23/213
D805,611 S * 12/2017 Rexach D23/257
D842,429 S * 3/2019 Huang D23/213
D842,430 S * 3/2019 Huang D23/213
D847,951 S * 5/2019 Zhang D23/238

(Continued)

OTHER PUBLICATIONS

<https://www.amazon.com/Fiskars-400NWT-Garden-Watering-Nozzle/dp/B00G8R9RU8> (Year: 2020).*

(Continued)

Primary Examiner — Jack Reickel

Assistant Examiner — Keith J Wilson

(74) *Attorney, Agent, or Firm* — Leason Ellis LLP

(57) **CLAIM**

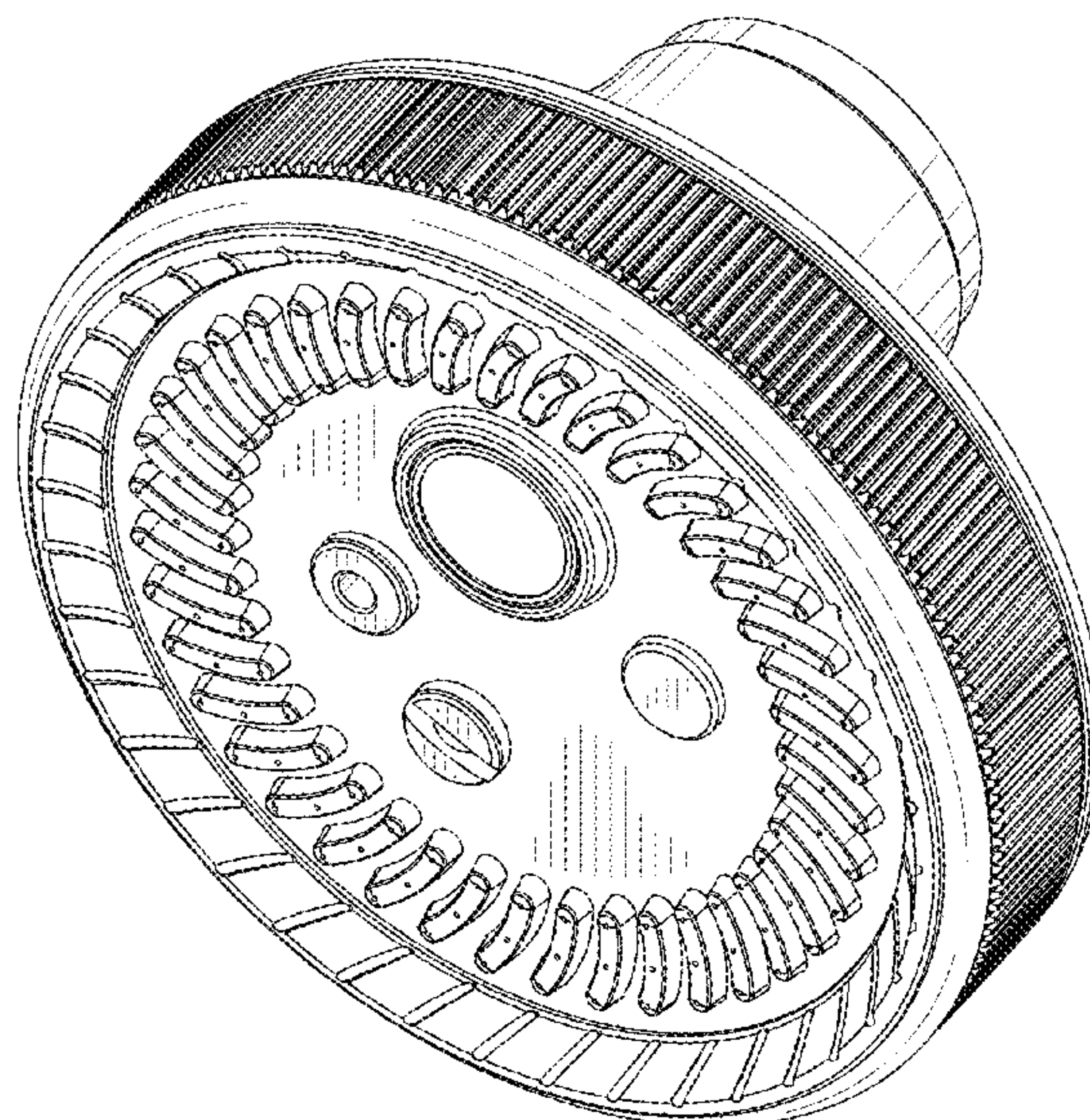
The ornamental design for a watering nozzle, as shown and described.

DESCRIPTION

FIG. 1 is a top perspective view of a watering nozzle according to our new design; FIG. 2 is a front view thereof; FIG. 3 is a rear view thereof; FIG. 4 is a left side view thereof; FIG. 5 is a right side view thereof; FIG. 6 is a top plan view thereof; and, FIG. 7 is a bottom plan view thereof.

The broken line shown represents portions of an adjustable watering wand and form no part of the claimed design. Conventional shading is illustrated for purposes of highlighting the line drawings, but forms no part of the claimed design.

1 Claim, 7 Drawing Sheets



(56)

References Cited

U.S. PATENT DOCUMENTS

D866,707 S	*	11/2019	Eads	D23/213
D866,708 S	*	11/2019	Bahler	D23/213
D867,522 S	*	11/2019	Tentler	D23/213
D867,523 S	*	11/2019	Tentler	D23/213
D867,524 S	*	11/2019	Tentler	D23/213
D867,525 S	*	11/2019	Eads	D23/213
D867,527 S	*	11/2019	Eads	D23/213
D870,234 S	*	12/2019	Judge	D23/213
D870,845 S	*	12/2019	Eads	D23/213
D874,613 S	*	2/2020	Park	D23/238
D895,769 S	*	9/2020	Laible	D23/223
D914,136 S	*	3/2021	Chen	D23/226
2007/0252022 A1	*	11/2007	Benstead	B05B 1/1618 239/590.5
2016/0136659 A1	*	5/2016	Erickson	B05B 1/1618 239/443
2020/0347975 A1	*	11/2020	Chen	F16L 33/24

OTHER PUBLICATIONS

Gilmour 847772-1001 Pro Watering Nozzle, Jul. 20, 2020, Amazon.com, Apr. 7, 2021 <https://www.amazon.com/Graco-Magnum-262805-Airless-Sprayer/dp/B0026SSW8G/> (Year: 2020).*

Fanhao Garden Hose Nozzle Heavy Duty, Mar. 8, 2020, Amazon.com, Apr. 7, 2021 https://www.amazon.com/Gilmour-847772-1001-Watering-Nozzle-Trigger/dp/B07P6GRKPX (Year: 2020).*

* cited by examiner

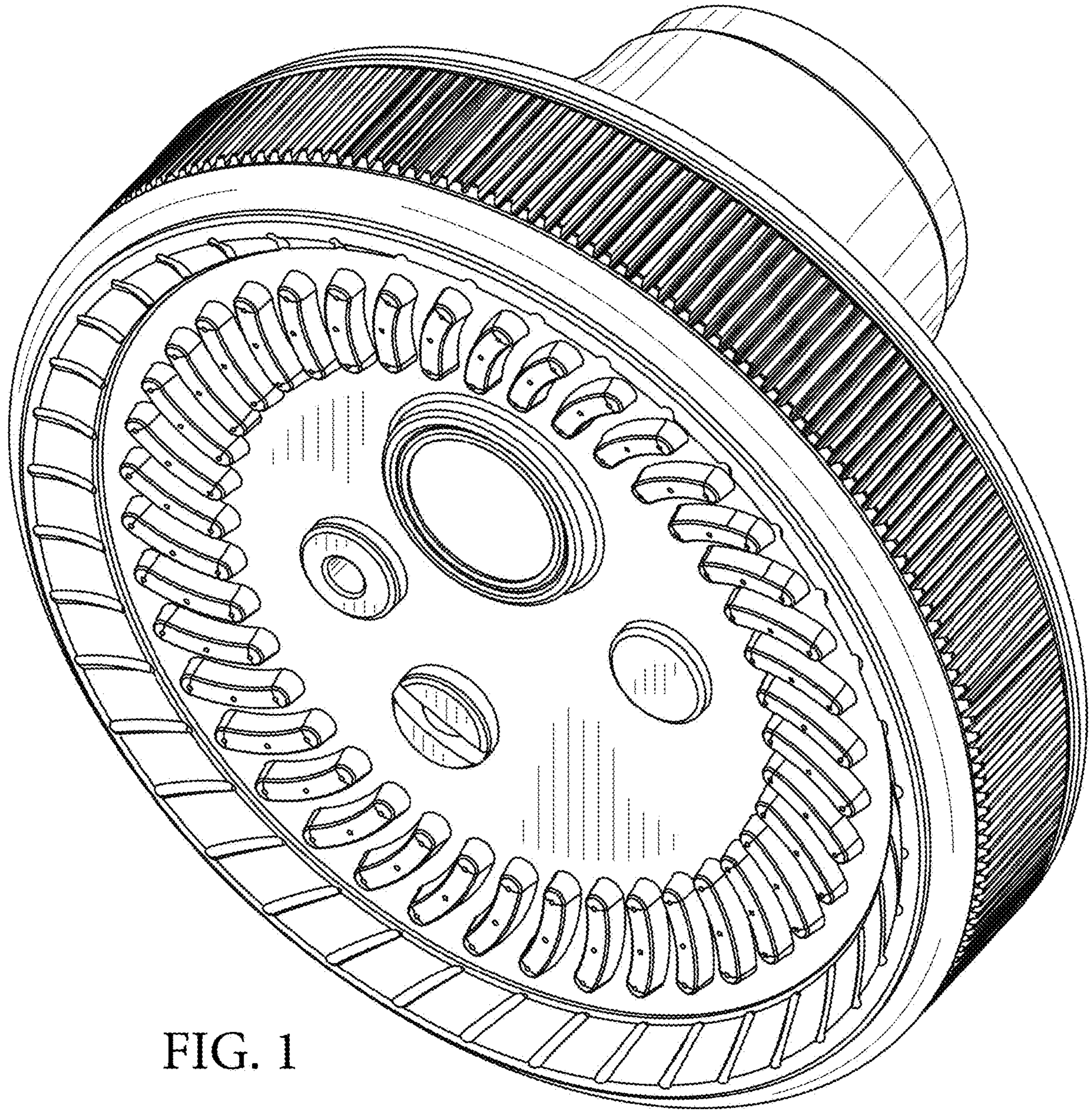


FIG. 1

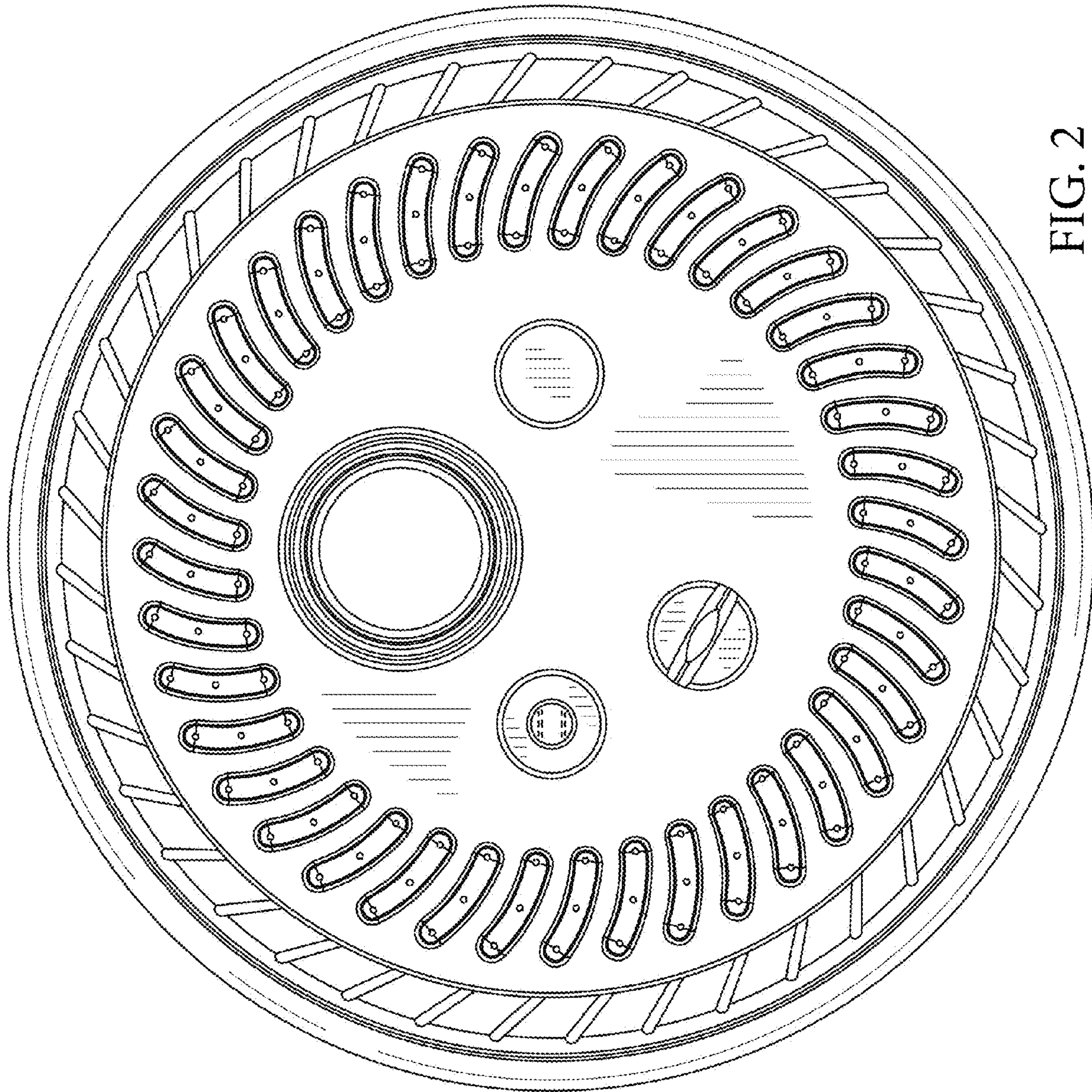


FIG. 2

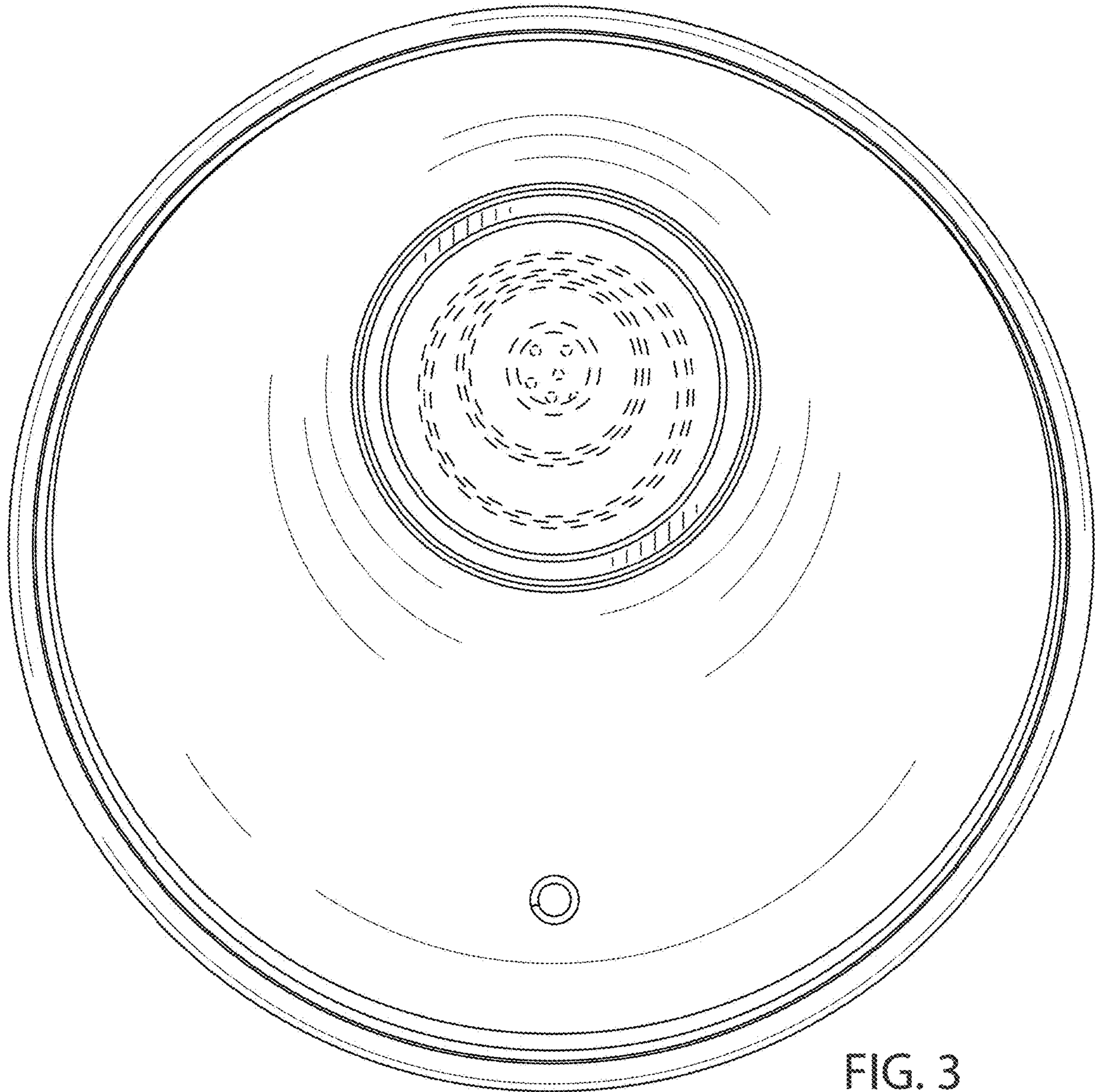


FIG. 3

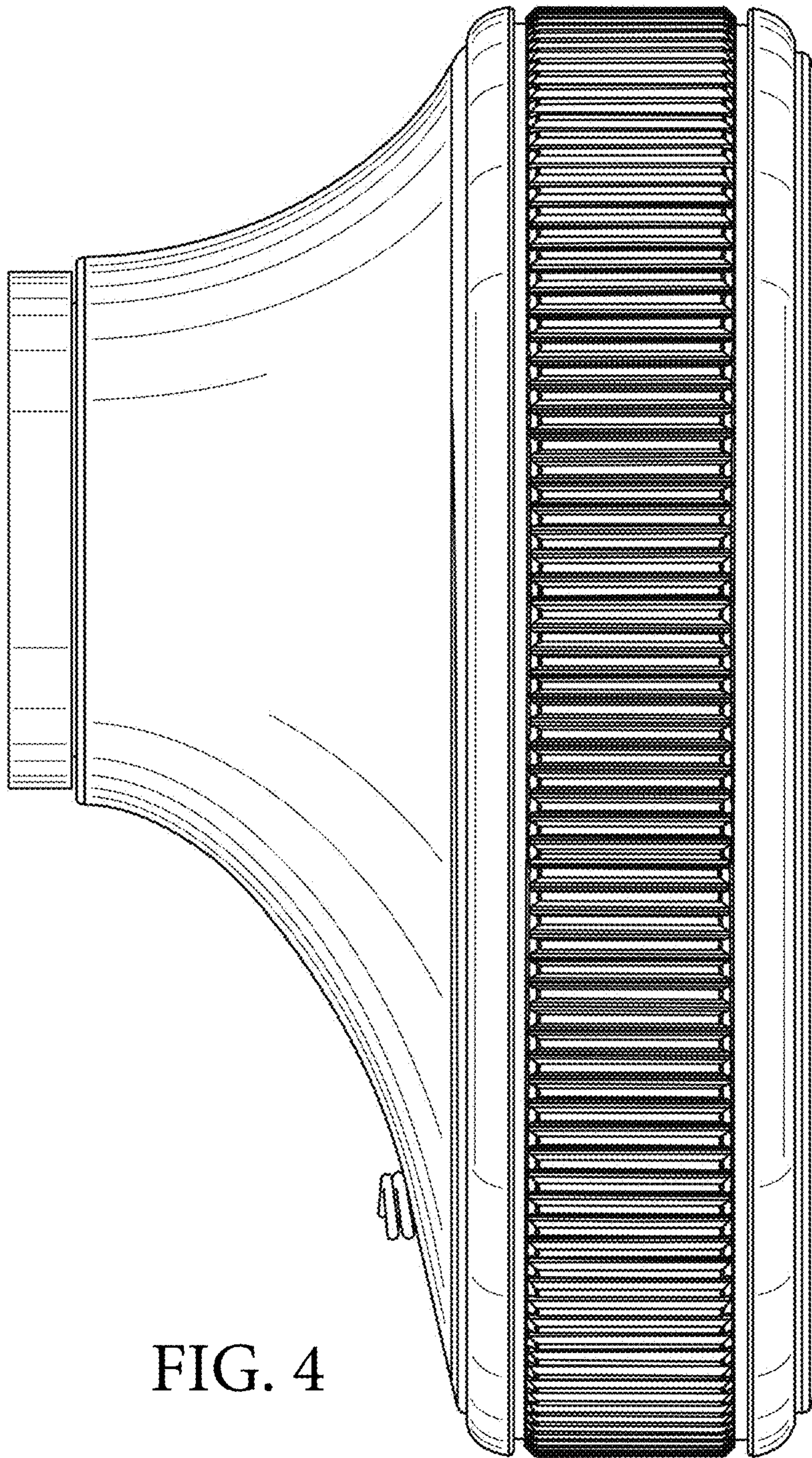
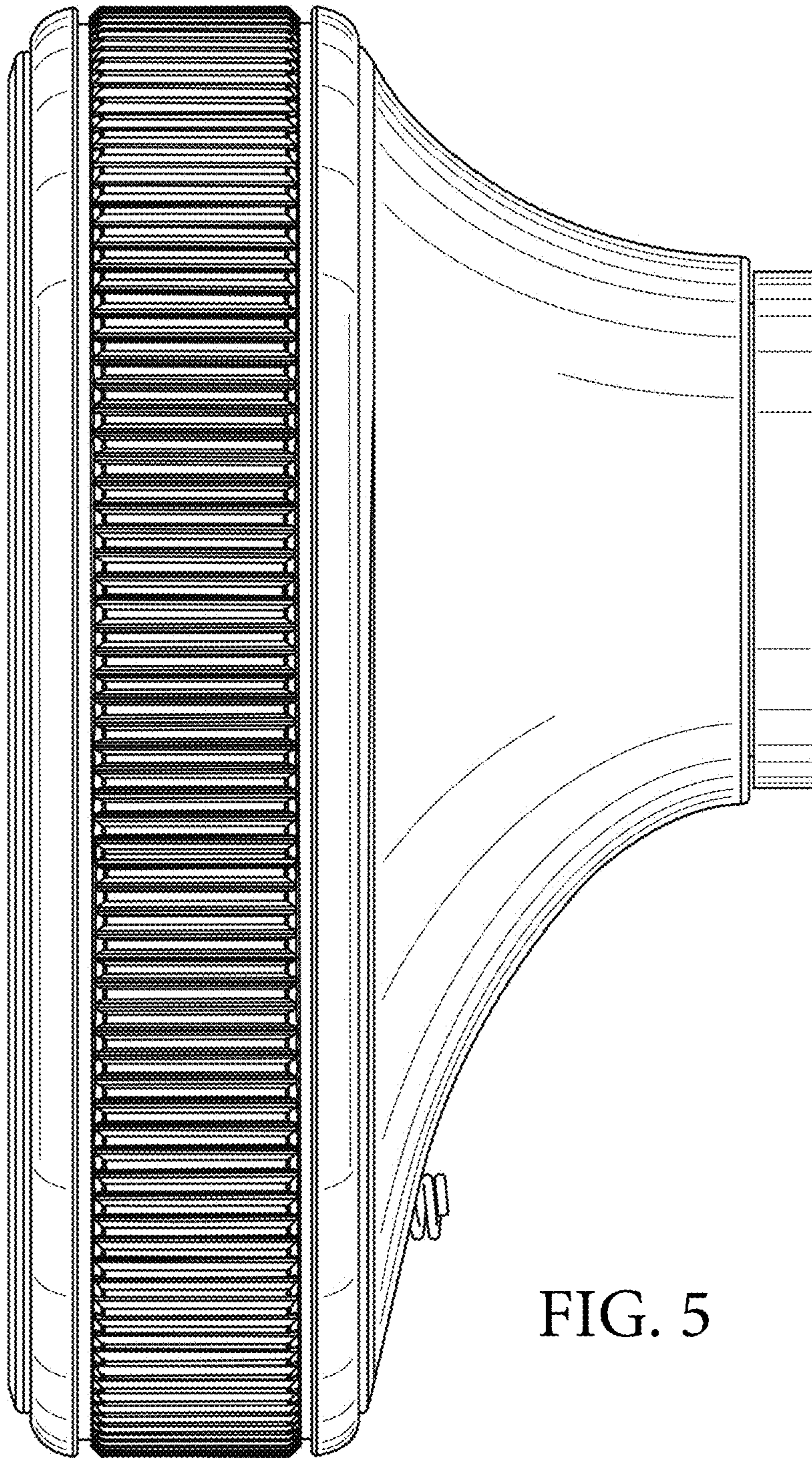


FIG. 4



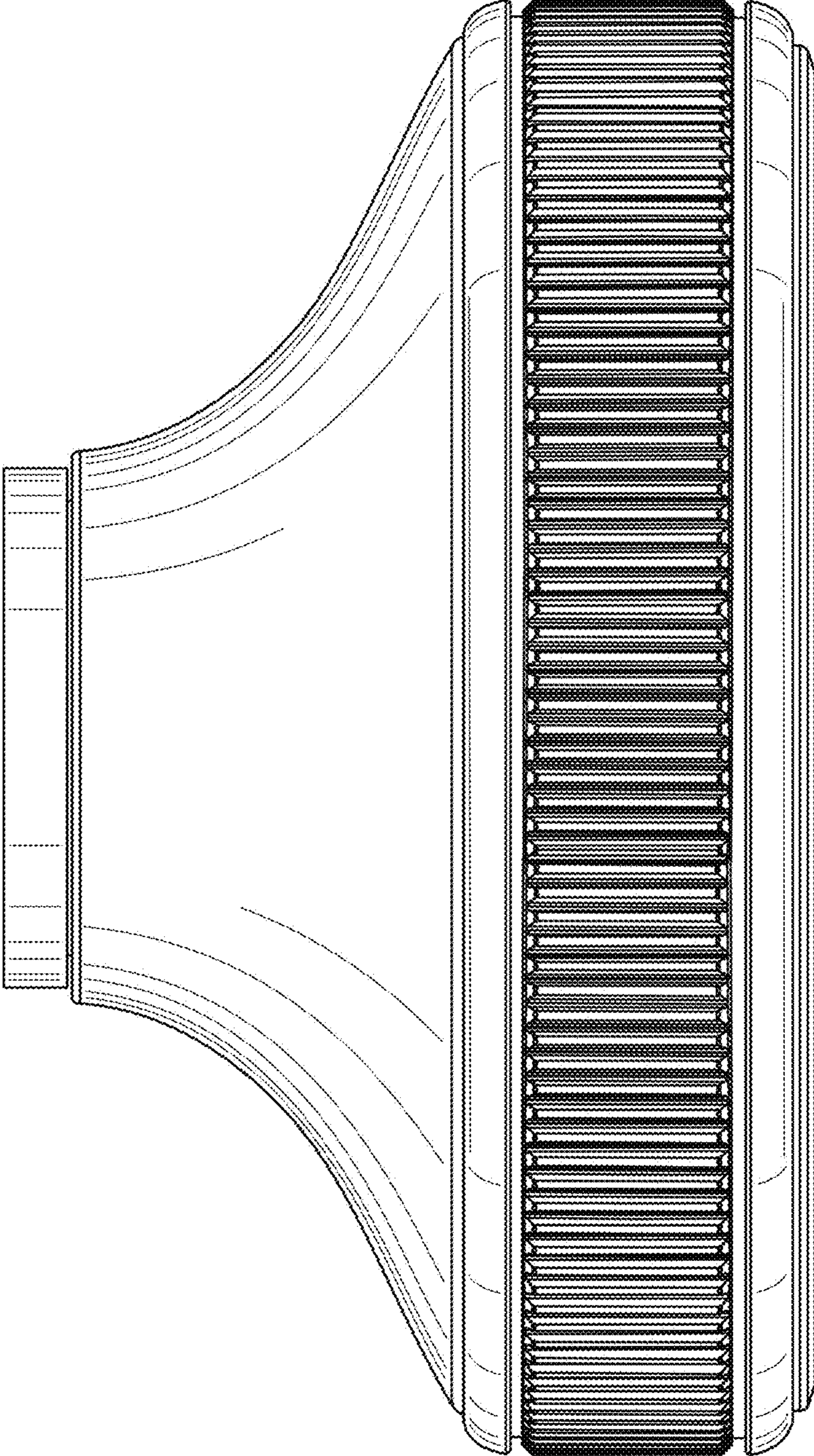


FIG. 6

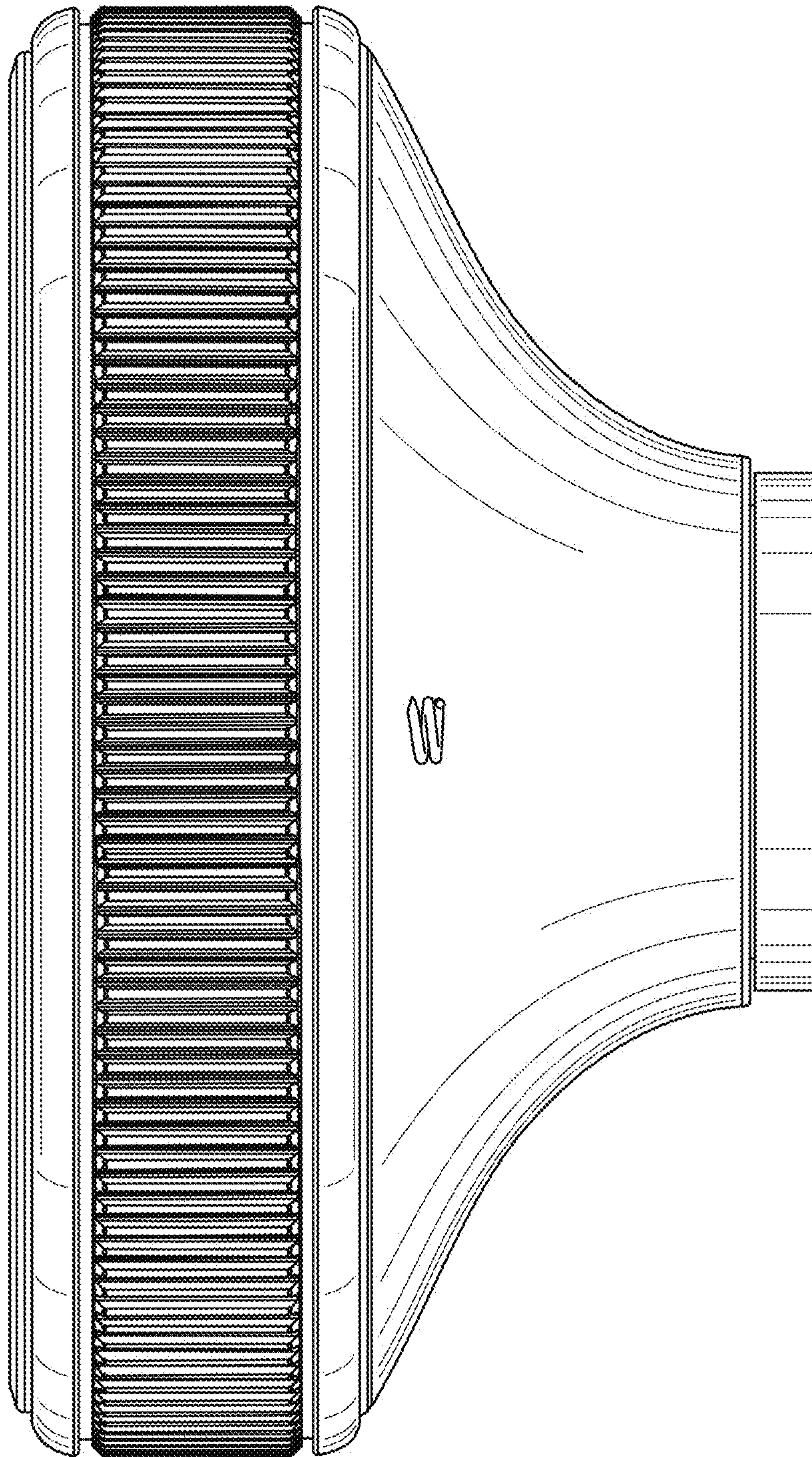


FIG. 7