

US00D933774S

(12) **United States Design Patent** (10) **Patent No.:** **US D933,774 S**
Wright et al. (45) **Date of Patent:** **** Oct. 19, 2021**

(54) **CLAY PIGEON** D27,787 S * 10/1897 Barton D22/114
899,123 A * 9/1908 Mills F41J 1/01
273/362
(71) Applicant: **OPCW Holdings Limited,** 2,250,252 A * 7/1941 Bingham, Jr. F41J 9/16
Chippenham (GB) 273/362

(Continued)

(72) Inventors: **Christopher Wright,** Chippenham
(GB); **Oliver Paris,** Chippenham (GB)

FOREIGN PATENT DOCUMENTS

(73) Assignee: **OPCW Holdings Limited,**
Chippenham (GB)

GB 657459 9/1951
WO WO 97/16694 A1 5/1997

(**) Term: **15 Years**

OTHER PUBLICATIONS

(21) Appl. No.: **35/509,418**

[Online] @Traptechclays <https://www.instagram.com/p/CHJOPmPBV-z/>. Posted online Nov. 20, 2020. Retrieved May 7, 2021.*

(22) Filed: **Jan. 17, 2020**

Primary Examiner — Melanie Pellegrini

(80) **Hague Agreement Data**

(74) *Attorney, Agent, or Firm* — Young Basile Hanlon & MacFarlane, P.C.

Int. Filing Date: **Jan. 17, 2020**

Int. Reg. No.: **DM/208115**

Int. Reg. Date: **Jan. 17, 2020**

Int. Reg. Pub. Date: **May 22, 2020**

(57) **CLAIM**

The ornamental design for a clay pigeon, as shown and described.

(51) **LOC (13) Cl.** **22-04**

DESCRIPTION

(52) **U.S. Cl.**

USPC **D22/114**

(58) **Field of Classification Search**

USPC D22/100–116, 199; D21/300, 301, 302,
D21/306, 334.335, 443, 571, 573–575,
D21/746

CPC F41C 23/14; F41C 23/20; F41C 23/04;
F41C 23/00; F41C 23/10; F41C 23/06;
F41C 27/00; F41C 7/00; F41B 5/00;
F41B 5/10; F41B 5/14; F41B 5/0094;
F41B 5/1469

- 1. Clay pigeon
- 1.1 : Perspective
- 1.2 : Top
- 1.3 : Left
- 1.4 : Bottom
- 1.5 : Perspective
- 1.6 : Top
- 1.7 : Left

Views 1.1 to 1.4 illustrate the clay pigeon in an unilluminated state and views 1.5 to 1.7 illustrate the clay pigeon in an illuminated state; features shown in even broken lines do not form part of the claimed design, and are shown for context only; the radial lines around the boundary of the clay pigeon in views 1.5 to 1.7 illustrate emission of light from the surface of the clay pigeon and show the clay pigeon is lit; the radial lines themselves form no part of the claimed design.

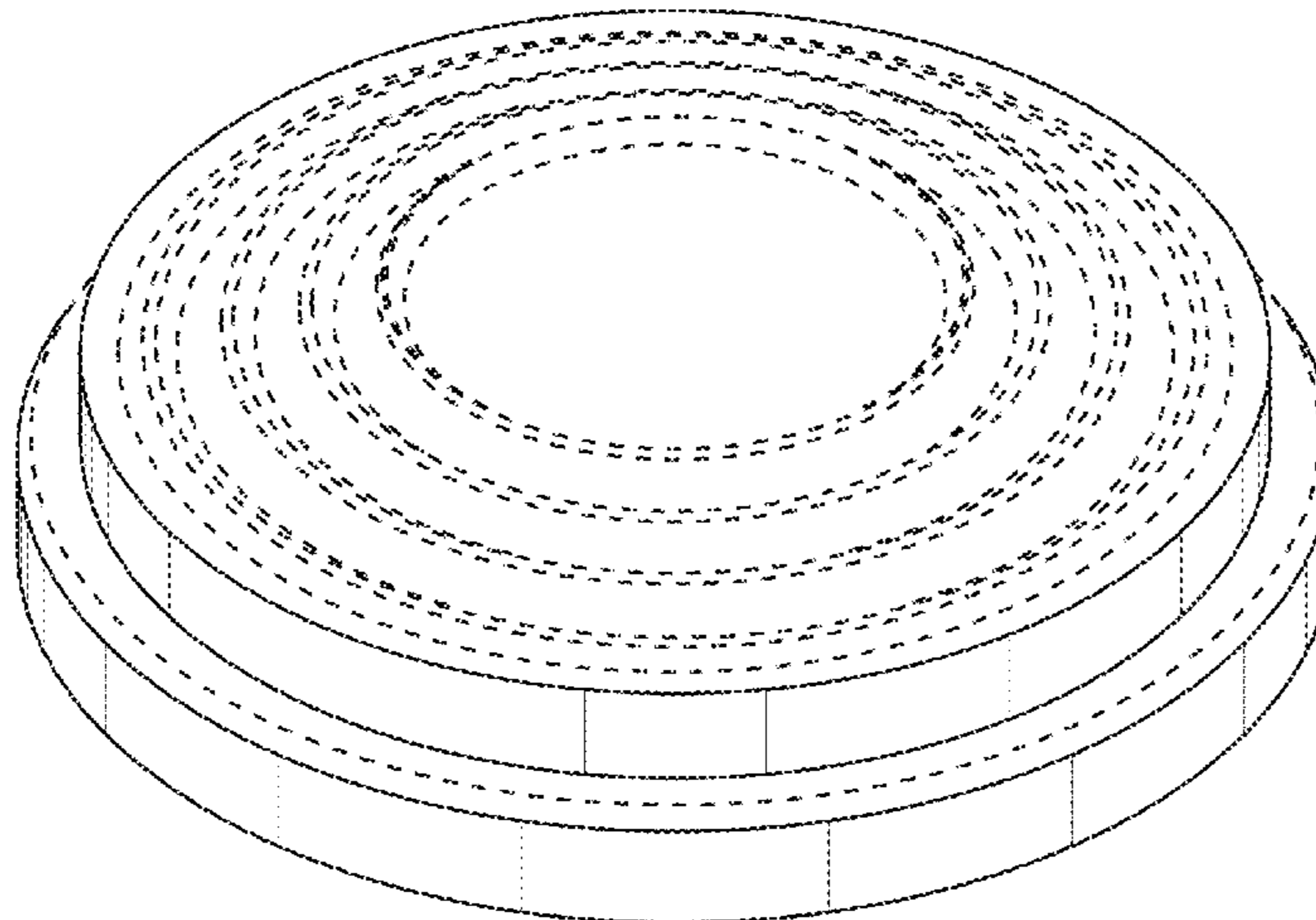
See application file for complete search history.

(56) **References Cited**

U.S. PATENT DOCUMENTS

D17,089 S * 2/1887 Hebbard D22/114
D26,600 S * 2/1897 Hannold et al. D22/113
D26,912 S * 4/1897 Parker D22/114

1 Claim, 7 Drawing Sheets



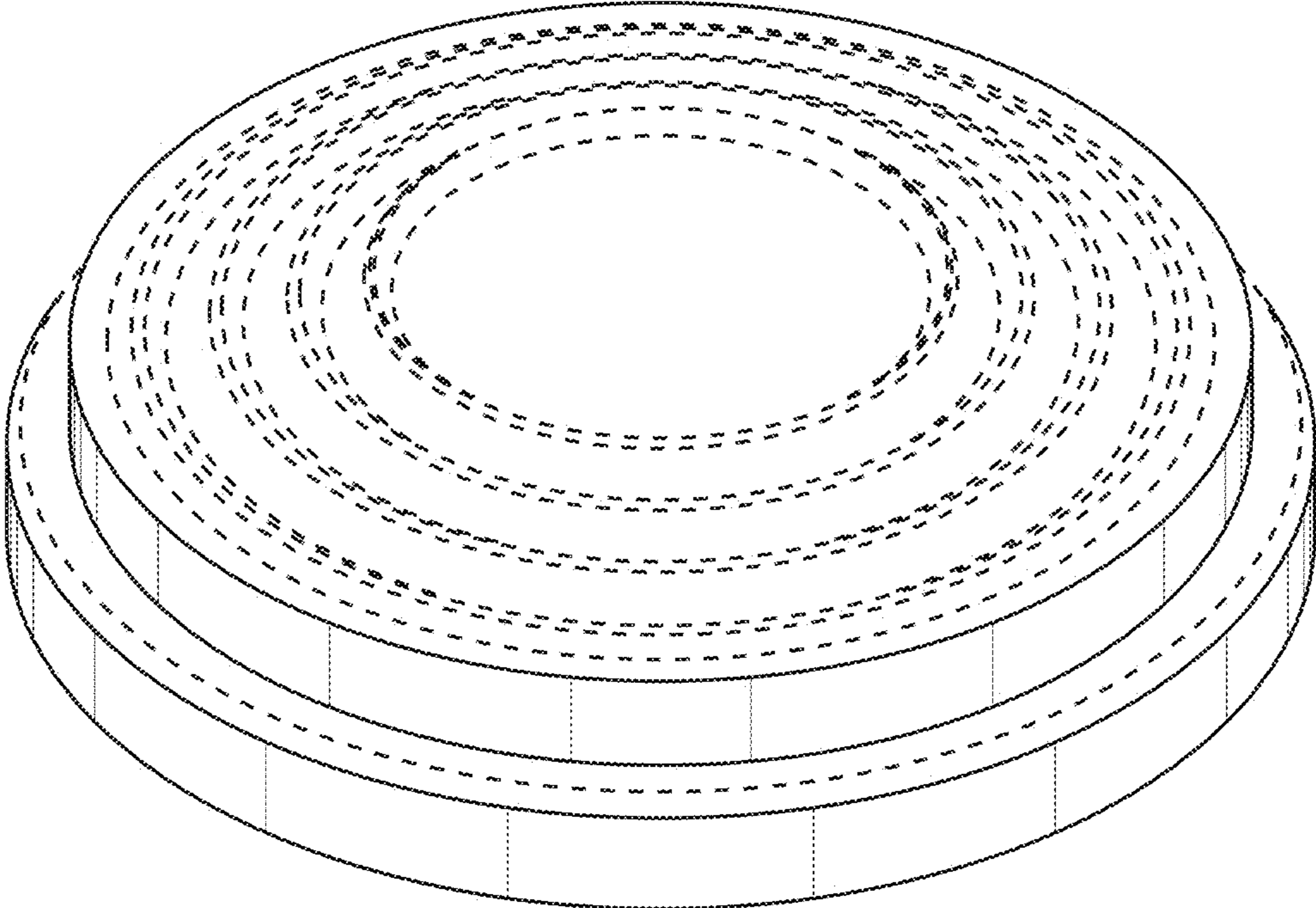
(56)

References Cited

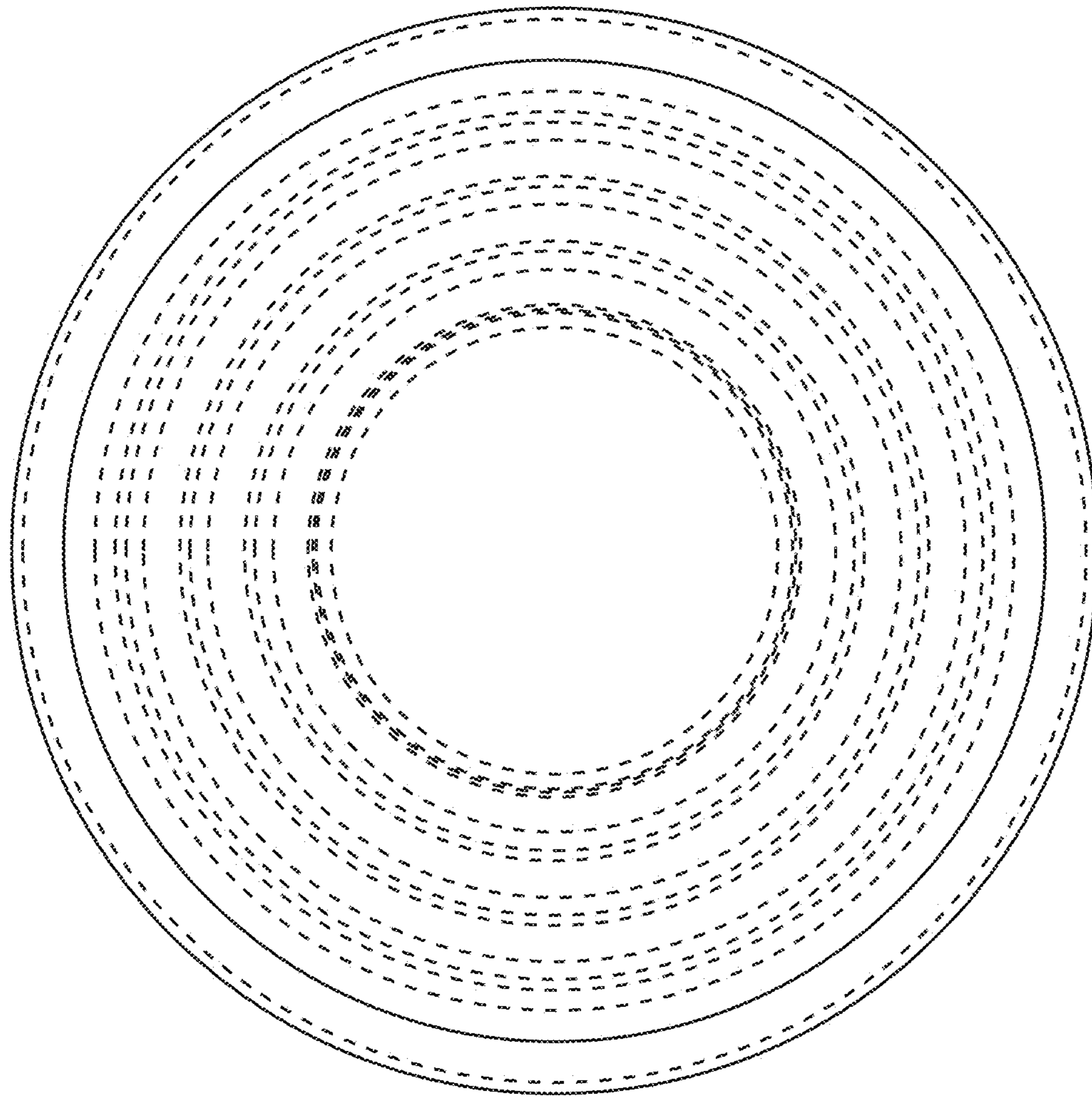
U.S. PATENT DOCUMENTS

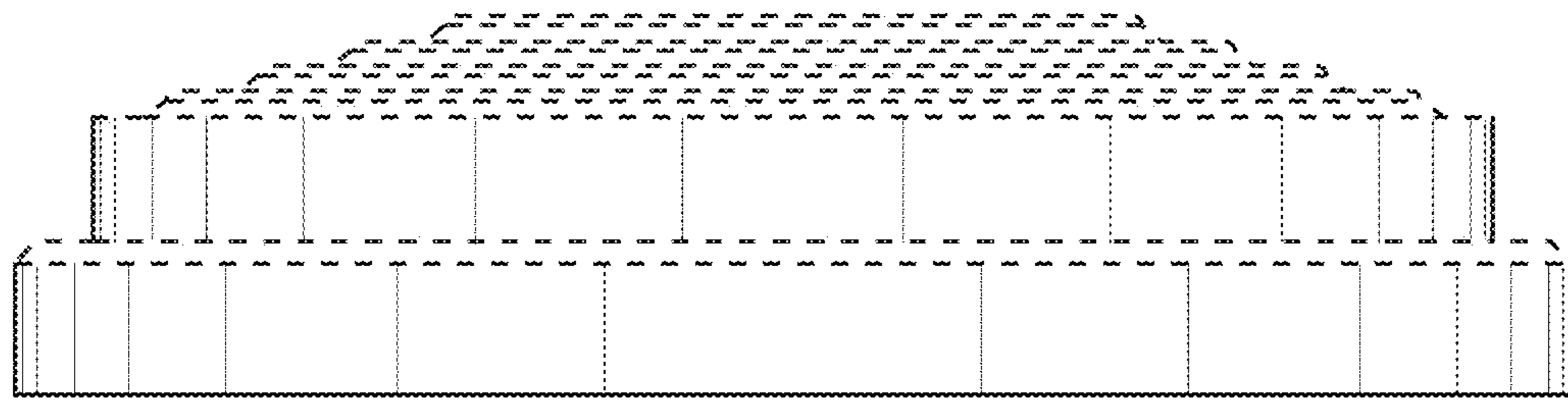
2,418,936	A *	4/1947	Hutchinson	F41J 9/16 264/235
D160,789	S *	11/1950	Jordan	D22/114
2,568,279	A	9/1951	Franz et al.	
2,653,026	A *	9/1953	Feltus	F41J 9/165 273/362
3,502,333	A *	3/1970	Fleury	F41J 9/165 463/52
D351,450	S *	10/1994	Maryska	D22/113
D352,988	S *	11/1994	Jan	D22/119
D355,695	S *	2/1995	Moore	D22/113
5,467,998	A *	11/1995	Hellings	F41J 1/01 273/363
D395,483	S *	6/1998	Maryska	D22/100
5,788,243	A *	8/1998	Harshaw	C08L 97/02 273/363
D683,516	S *	6/2013	Elias	D1/106
D725,714	S *	3/2015	Kim	D21/443
D764,008	S *	8/2016	Tottel, Sr.	D22/114
D853,521	S *	7/2019	Evans	D22/114
2014/0083402	A1 *	3/2014	Fridman	F41J 9/18 124/41.1
2015/0137453	A1 *	5/2015	Taylor	F41J 1/01 273/362

* cited by examiner

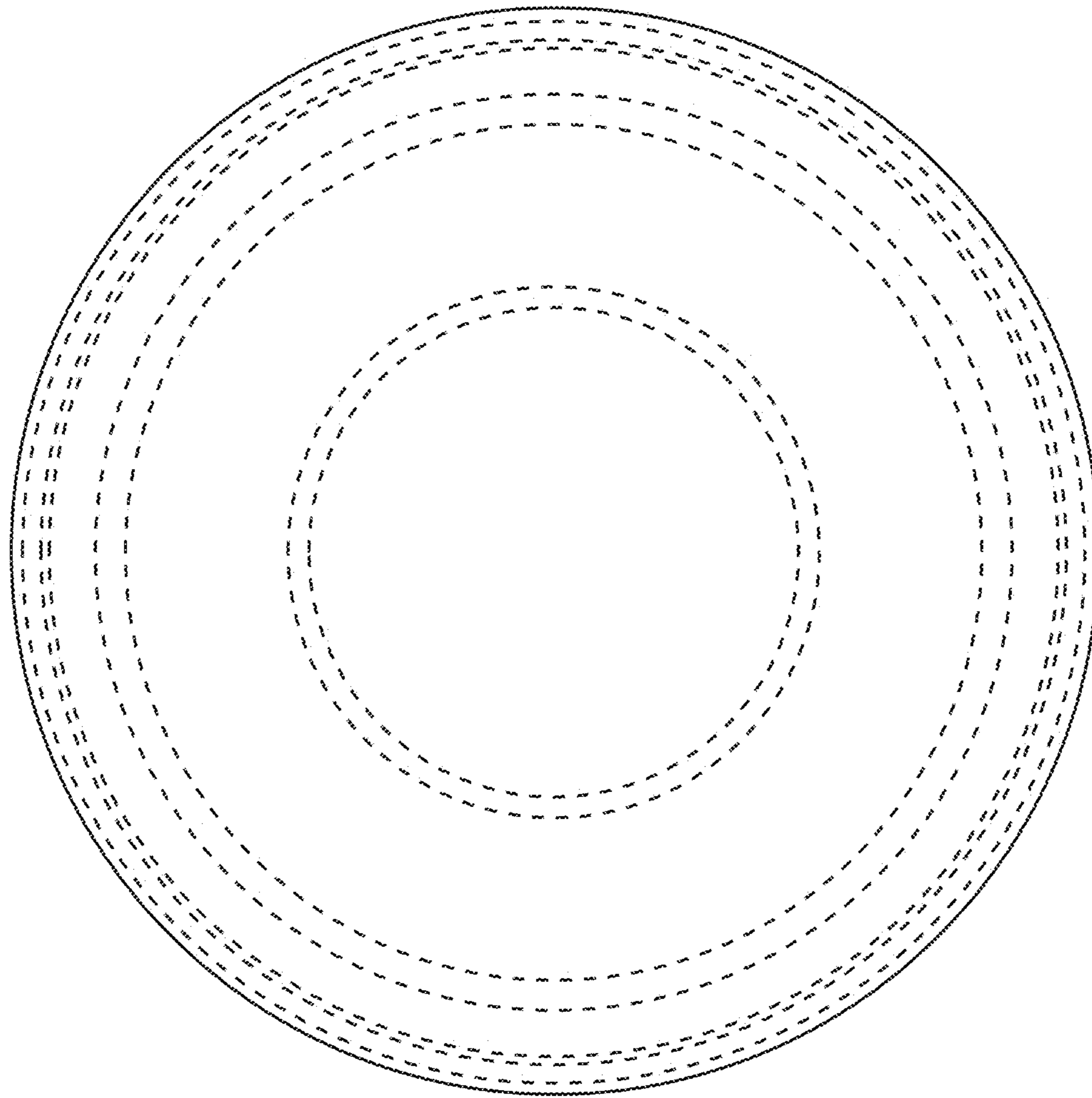


1.1

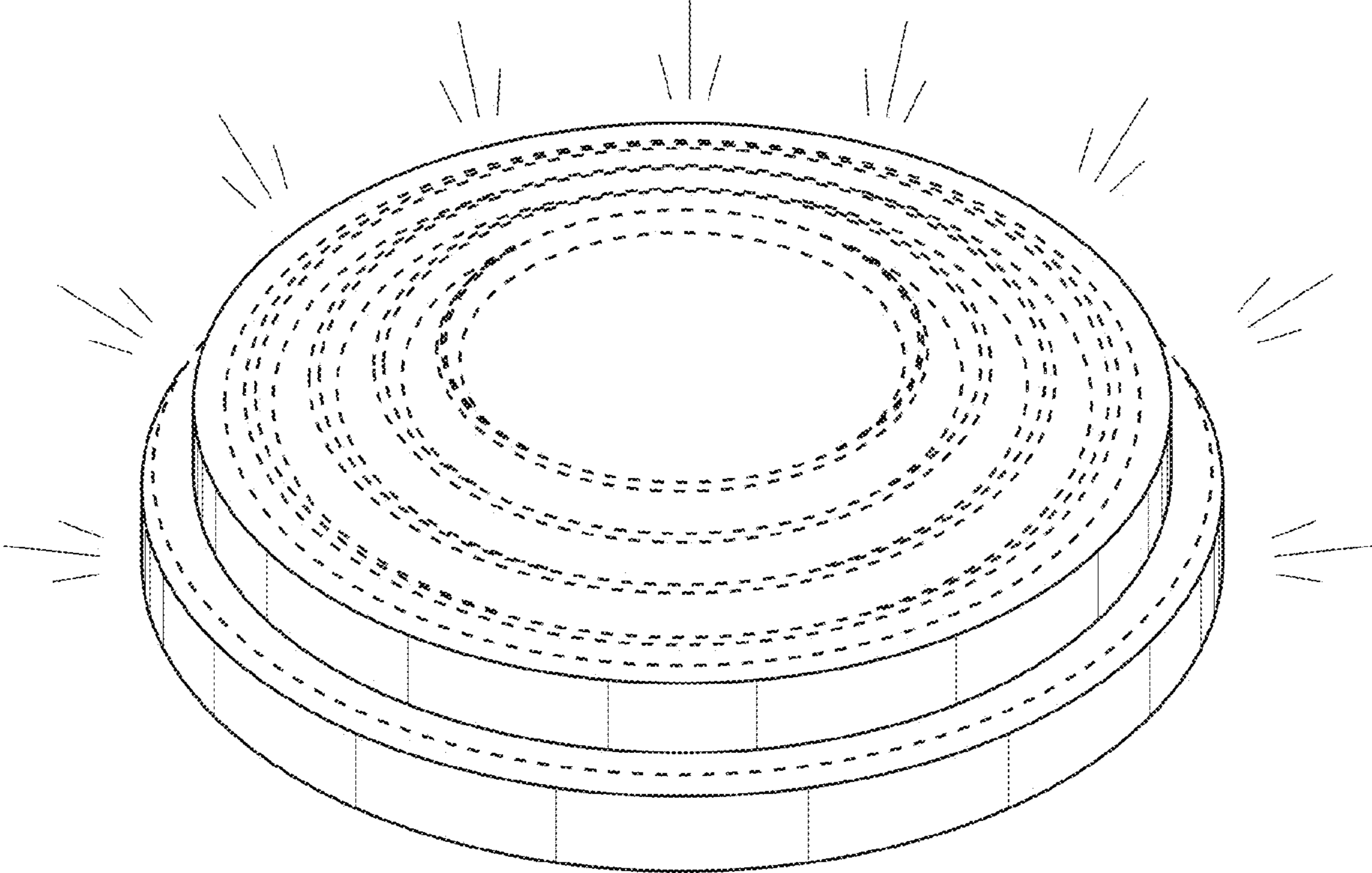




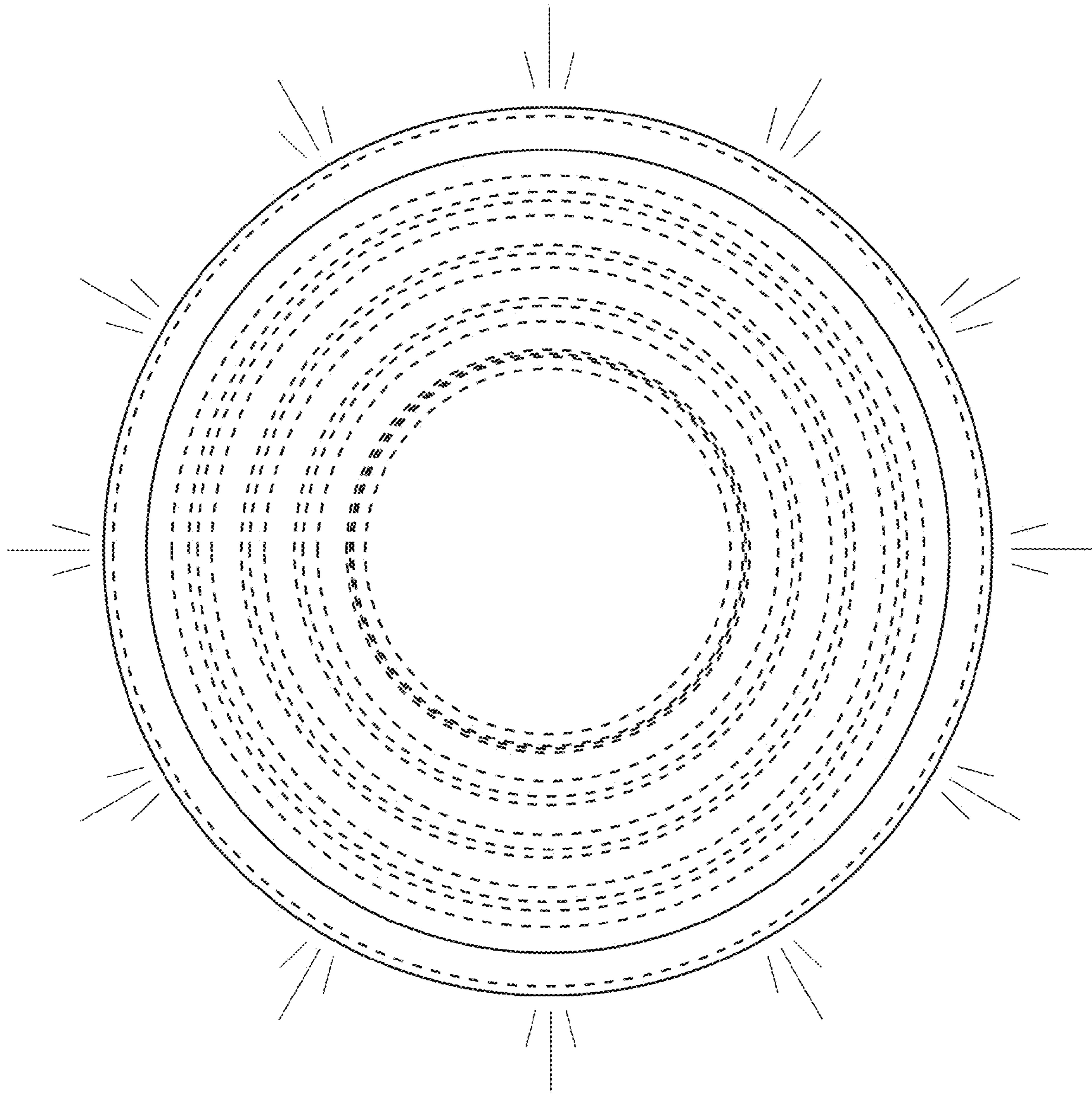
1.3



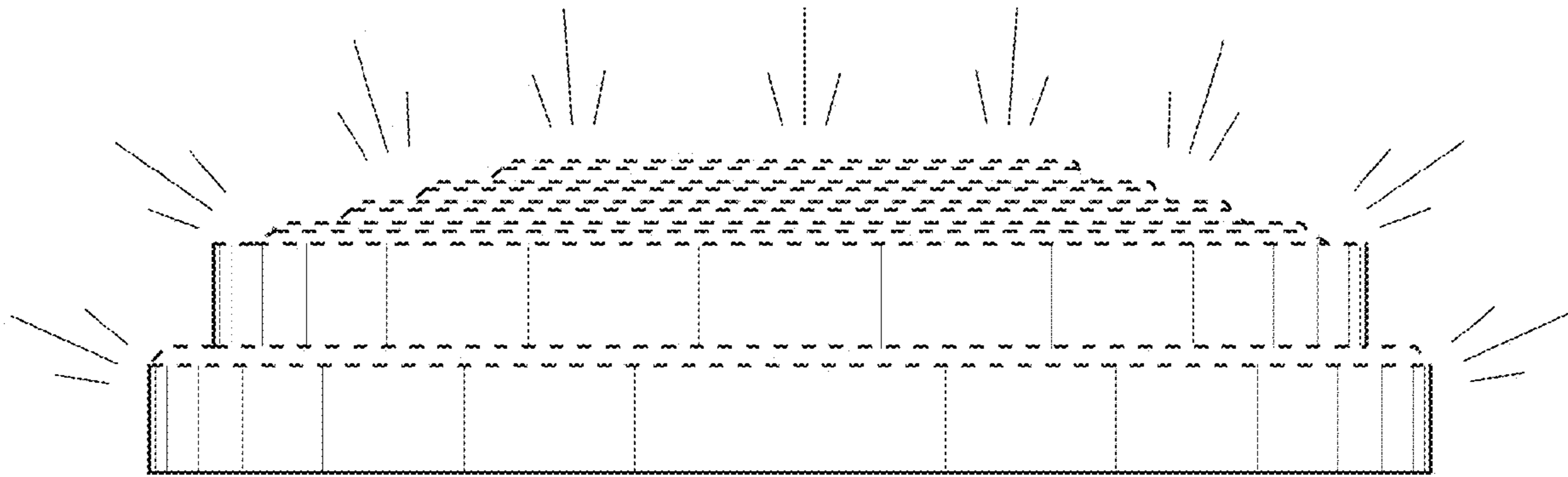
1.4



1.5



1.6



1.7