



US00D933773S

(12) **United States Design Patent**
Howell et al.

(10) **Patent No.:** **US D933,773 S**

(45) **Date of Patent:** **** *Oct. 19, 2021**

- (54) **SHOOTING TARGET ASSEMBLY**
- (71) Applicant: **Dick's Sporting Goods, Inc.**,
Coraopolis, PA (US)
- (72) Inventors: **Jacob Ray Howell**, Kent, OH (US);
William E. Clegg, Gibsonia, PA (US)
- (73) Assignee: **Dick's Sporting Goods, Inc.**,
Coraopolis, PA (US)
- (*) Notice: This patent is subject to a terminal disclaimer.
- (**) Term: **15 Years**
- (21) Appl. No.: **29/707,976**
- (22) Filed: **Oct. 2, 2019**
- (51) **LOC (13) Cl.** **22-04**
- (52) **U.S. Cl.**
USPC **D22/113; D21/306**
- (58) **Field of Classification Search**
USPC D22/113, 114; D21/302, 306
CPC F41J 1/00; F41J 1/10; F41J 7/04; F41A
17/46; F41A 19/11
See application file for complete search history.

D288,828 S * 3/1987 Romestan D21/304
 5,263,722 A 11/1993 Rosellen
 5,324,043 A 6/1994 Estrella
 (Continued)

FOREIGN PATENT DOCUMENTS

CN 105135951 A 12/2015

OTHER PUBLICATIONS

“Challenge Targets Commercial Grade Texas Star Target” [online].
 challengeTARGETS. [Published on Apr. 18, 2017]. Retrieved from
 the Internet: <<https://www.youtube.com/watch?v=SmqKHGyPI3o>>.*
 (Continued)

Primary Examiner — Mojtaba Tehrani

(74) *Attorney, Agent, or Firm* — Fox Rothschild LLP

(57) **CLAIM**

The ornamental design for a shooting target assembly, as shown and described.

DESCRIPTION

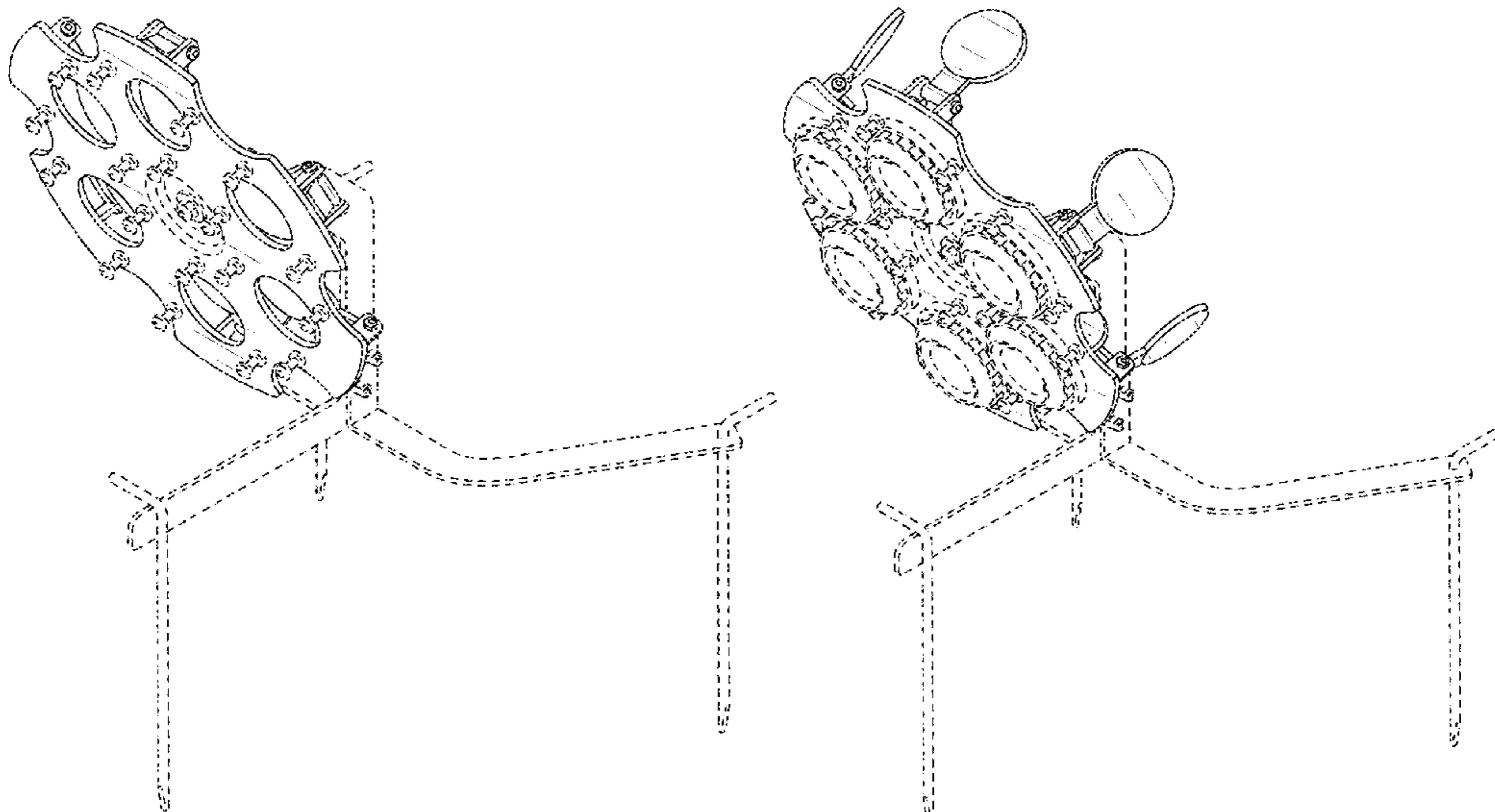
FIG. 1 is a front view of a shooting target assembly with target plates in a closed position, showing our new design. FIG. 2 is a front perspective view thereof. FIG. 3 is a right side view thereof. FIG. 4 is a left side view thereof. FIG. 5 is a top view thereof. FIG. 6 is a bottom view thereof. FIG. 7 is front view of the shooting target assembly with target plates in an open position. FIG. 8 is front perspective view thereof. FIG. 9 is a right side view thereof. FIG. 10 is a left side view thereof. FIG. 11 is a top view thereof; and, FIG. 12 is a bottom view thereof. In the drawings, the broken lines shown in FIGS. 1-12 indicate portions of the article not claimed, and form no part of the claimed design.

1 Claim, 12 Drawing Sheets

(56) **References Cited**

U.S. PATENT DOCUMENTS

- 434,522 A * 8/1890 Pederson F41J 7/04
273/390
- 966,056 A * 8/1910 Root A63F 9/02
273/334
- 1,616,270 A * 2/1927 Madden A63F 9/0204
273/401
- 1,723,826 A 8/1929 Van Auken
- 2,076,135 A 4/1937 Stowell
- 2,957,694 A 10/1960 Barber
- D245,798 S * 9/1977 Norden D21/303
- D254,017 S * 1/1980 Norden D21/303
- D257,779 S * 1/1981 Sippola D21/699



(56)

References Cited

U.S. PATENT DOCUMENTS

6,398,215 B1 6/2002 Carroll
 6,896,267 B1 5/2005 Le Anna
 6,983,938 B2 1/2006 Goldsmith
 6,994,349 B2 2/2006 Lambert et al.
 6,994,398 B2 2/2006 Gross
 7,114,725 B2 10/2006 Camp et al.
 7,128,321 B1 * 10/2006 Brown F41J 5/18
 273/392
 7,306,229 B2 12/2007 Rolfe
 7,611,147 B2 * 11/2009 Sheldon F41J 7/06
 273/366
 7,690,656 B2 4/2010 Saunders
 7,731,197 B2 6/2010 Stutz
 7,988,155 B2 * 8/2011 Wyrick F41J 1/10
 273/407
 8,172,231 B2 5/2012 Massier
 D689,164 S * 9/2013 Burress D22/113
 8,807,570 B1 * 8/2014 Zalar F41J 7/04
 273/390
 8,960,677 B2 * 2/2015 Mickelson F41J 1/10
 273/407
 9,163,912 B1 10/2015 Stark
 9,228,809 B1 1/2016 Relyea
 9,303,959 B2 * 4/2016 Doria F41J 1/10
 9,446,301 B2 9/2016 Leimberer
 9,513,091 B2 12/2016 Roberts
 9,541,356 B2 * 1/2017 Bullis F41J 1/10
 9,574,855 B2 2/2017 Davis

9,702,667 B1 7/2017 Gutierrez
 D815,241 S * 4/2018 Woller D22/113
 10,119,795 B2 11/2018 Daub et al.
 D878,469 S * 3/2020 Kinner D21/301
 2011/0074112 A1 * 3/2011 Allen F41J 1/10
 273/407
 2013/0328268 A1 12/2013 Eggiman et al.
 2015/0285593 A1 10/2015 Dribben
 2016/0213989 A1 7/2016 Fristaczki

OTHER PUBLICATIONS

“Shooting The Whirly-Gig Target” [online]. BigDaddyHoffman1911. [Published on Jun. 23, 2011]. Retrieved from the Internet: <https://www.youtube.com/watch?app=desktop&v=3zoJ_v6J4FQ>.*
 “Do-All Outdoors—Heli Handgun Spinner Steel Target, Rated for .38-.45 Caliber” [online]. Do-All Outdoors. [Product first available on Feb. 1, 2014]. Retrieved from the Internet: <<https://www.amazon.com/dp/B00I6LC44A/>>.*
 Information about Related Patents and Patent Applications, see section 6 of the accompanying Information Disclosure Statement Letter, which concerns Related Patents and Patent Applications.
 Double D Steel Gun Targets, “Okie Star,” Jan. 13, 2013, <https://facebook.com/288639637832962/photos/a.325637297466529/522413574455566/?type=3&theater>, 2013.
 “Review of Air Venturi Medusa Target,” <https://ww.airgunnation.com/topic/review-of-air-venturi-medusa-target-part-1/>, posted Dec. 27, 2017, 2017.

* cited by examiner

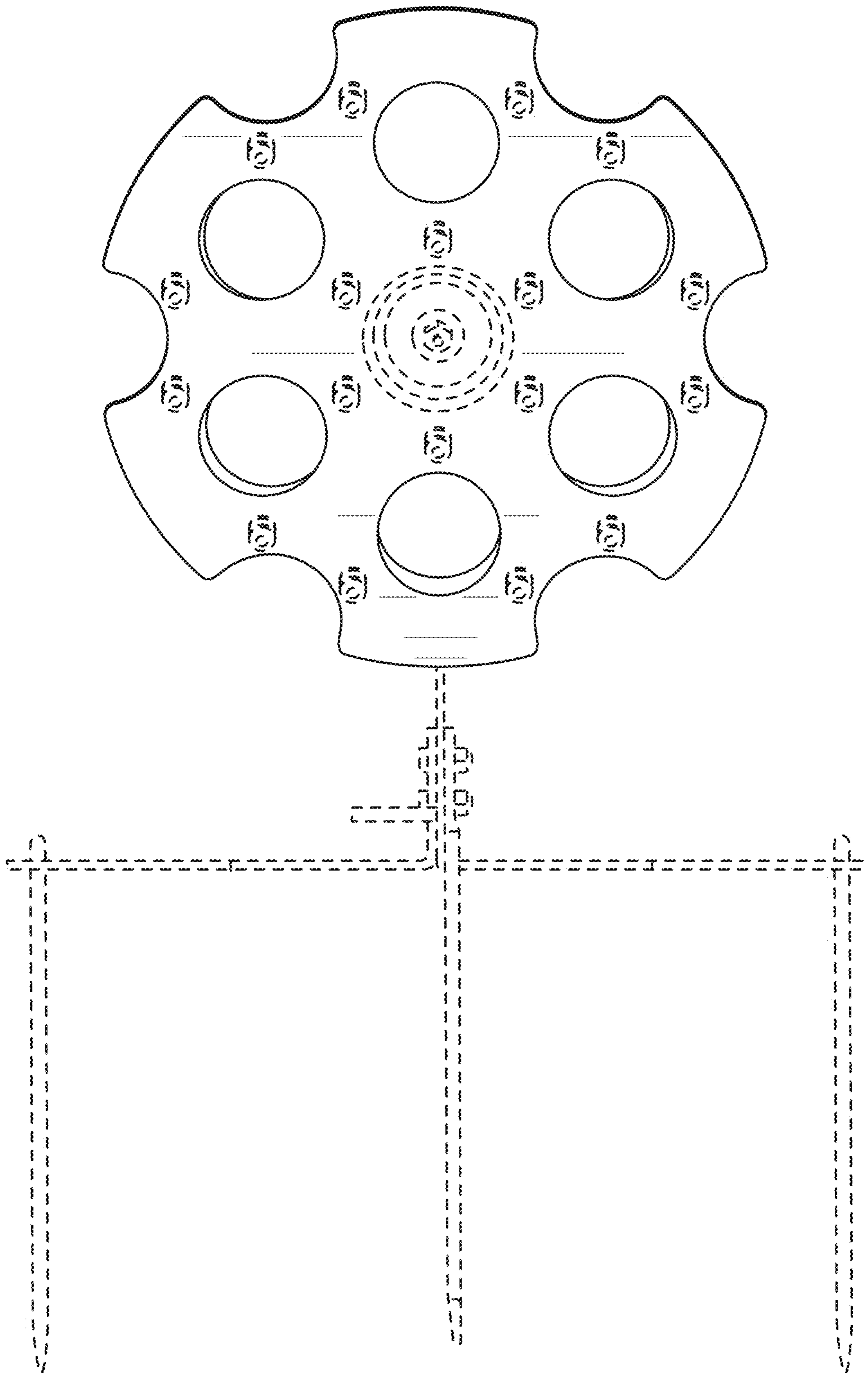


FIG. 1

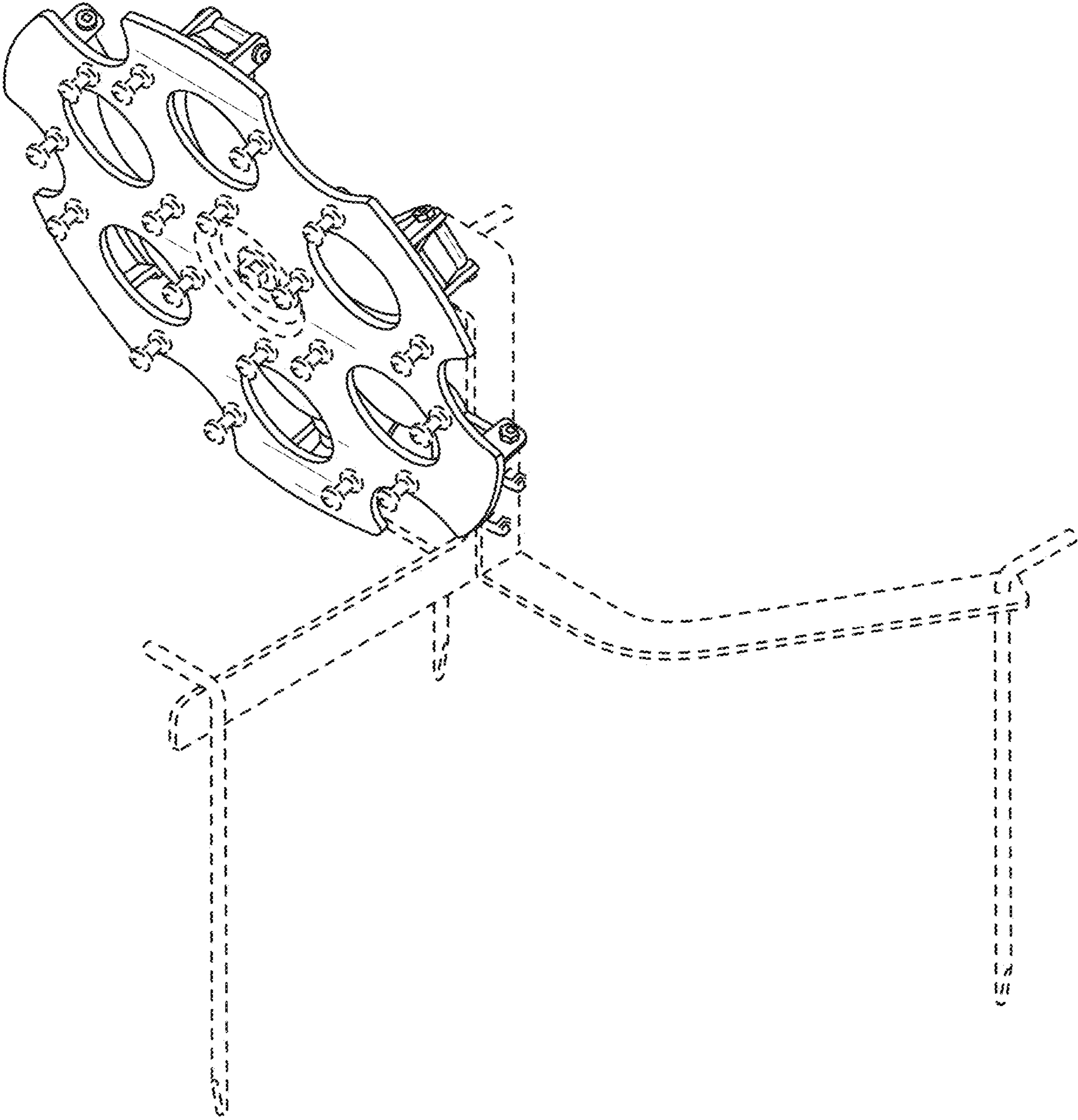


FIG. 2

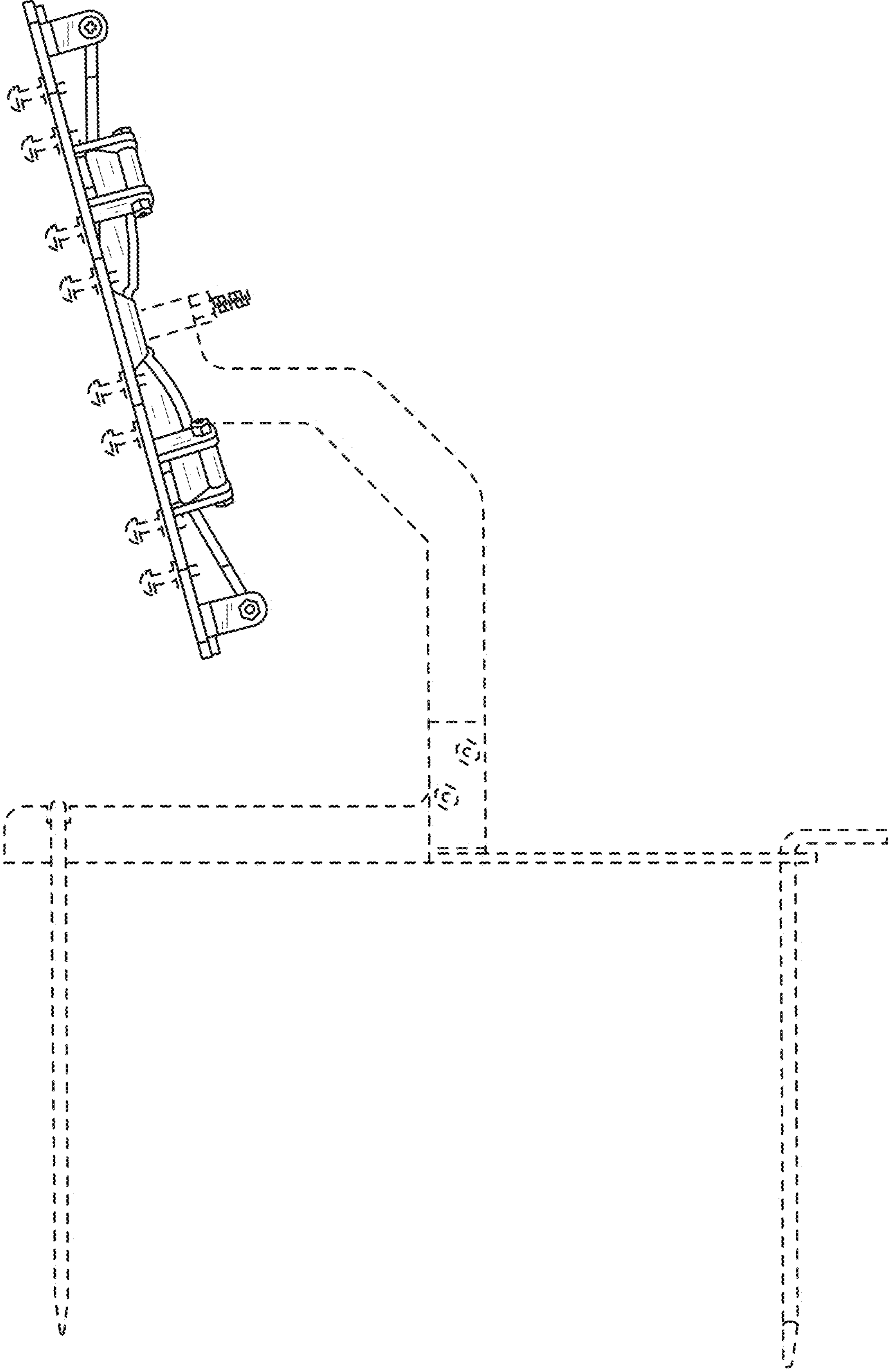


FIG. 3

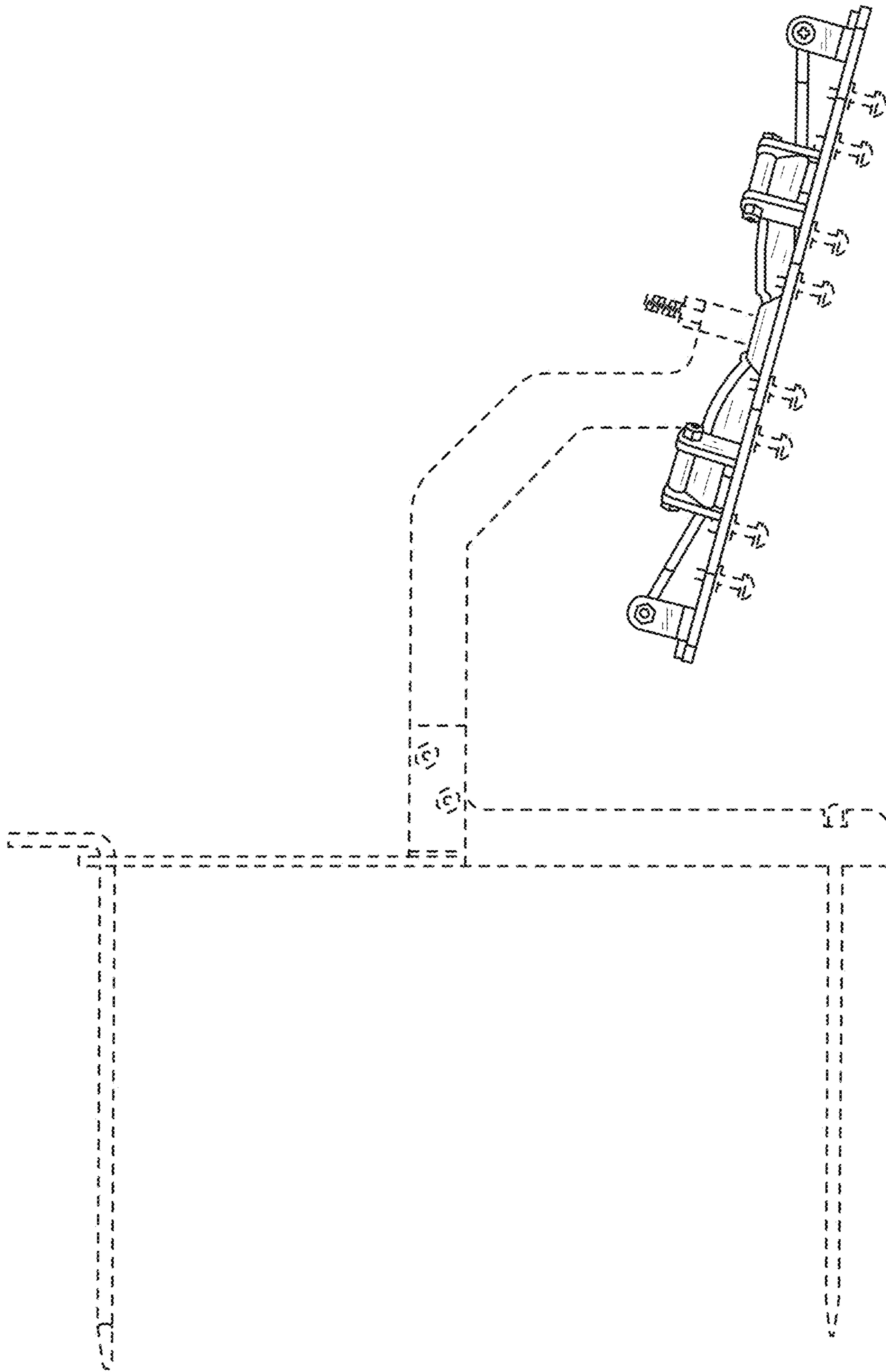


FIG. 4

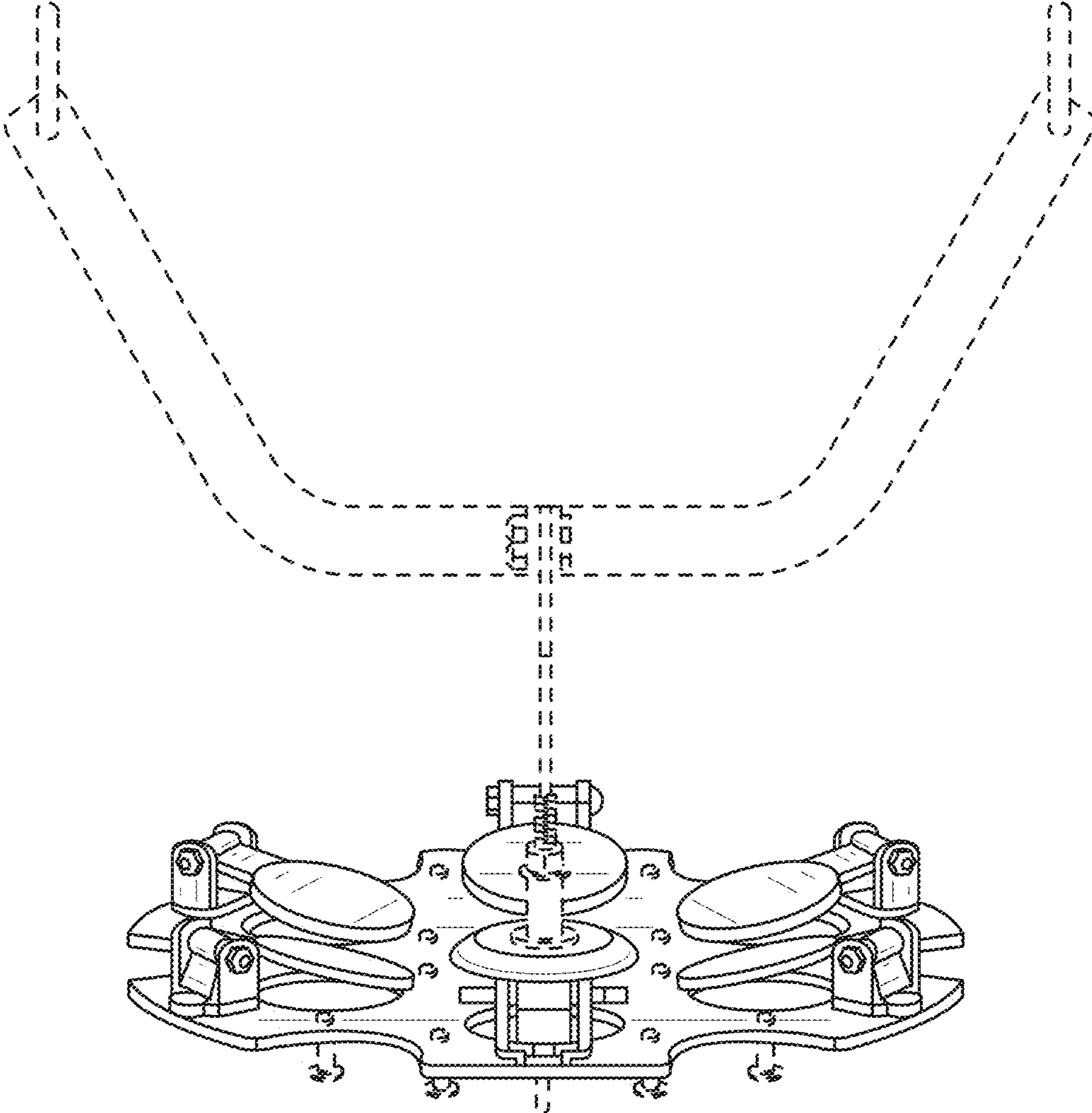


FIG. 5

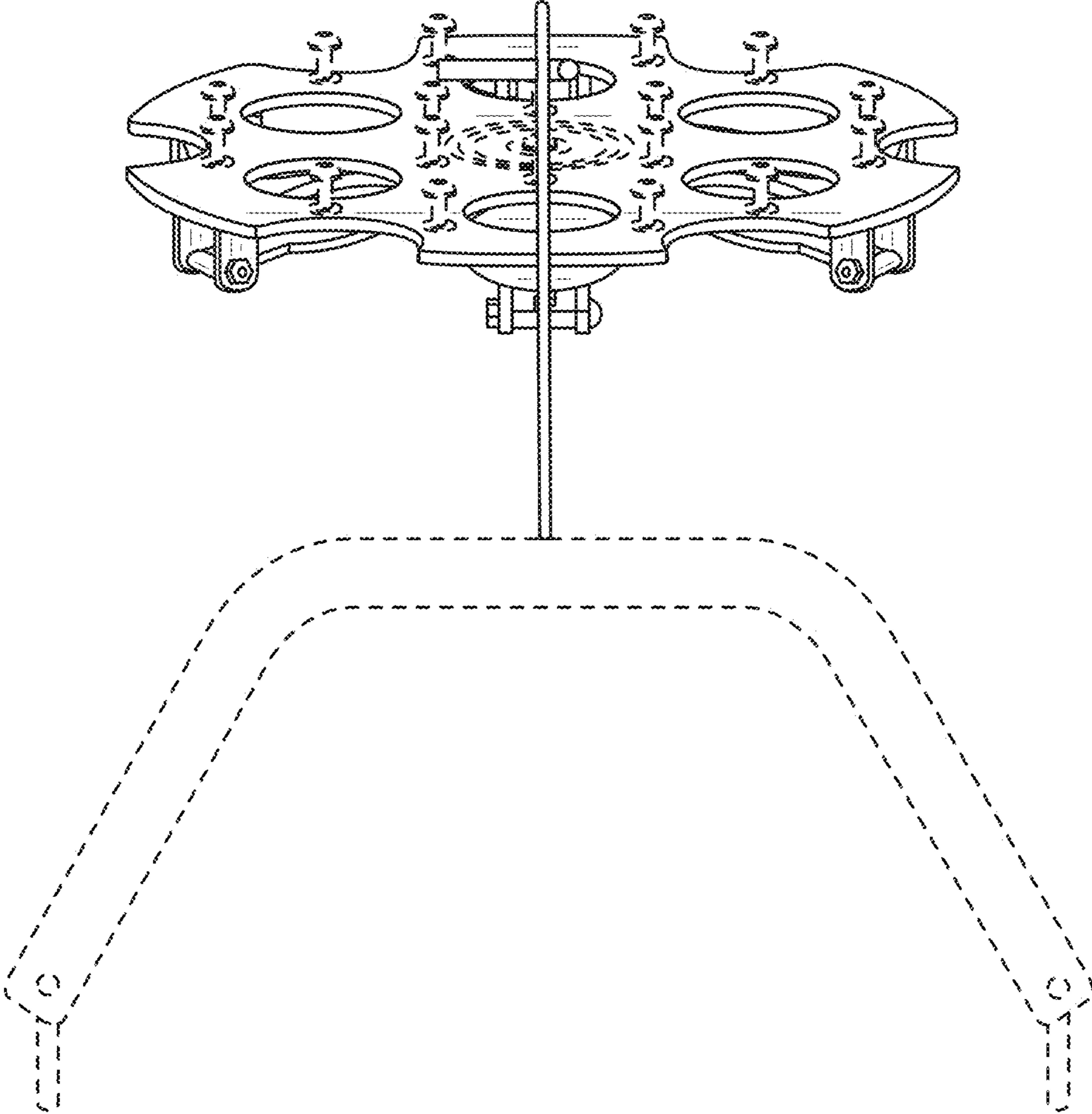


FIG. 6

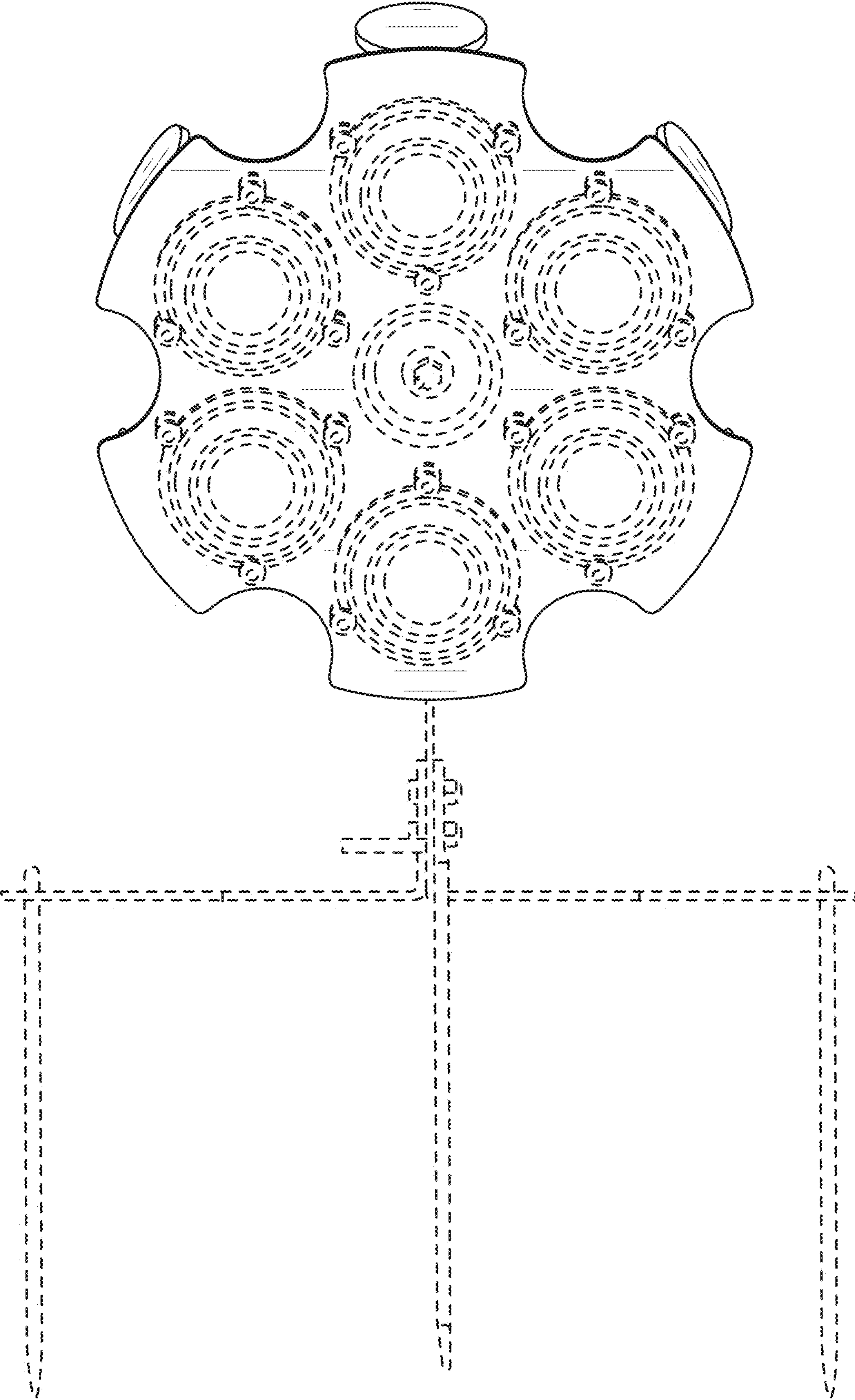


FIG. 7

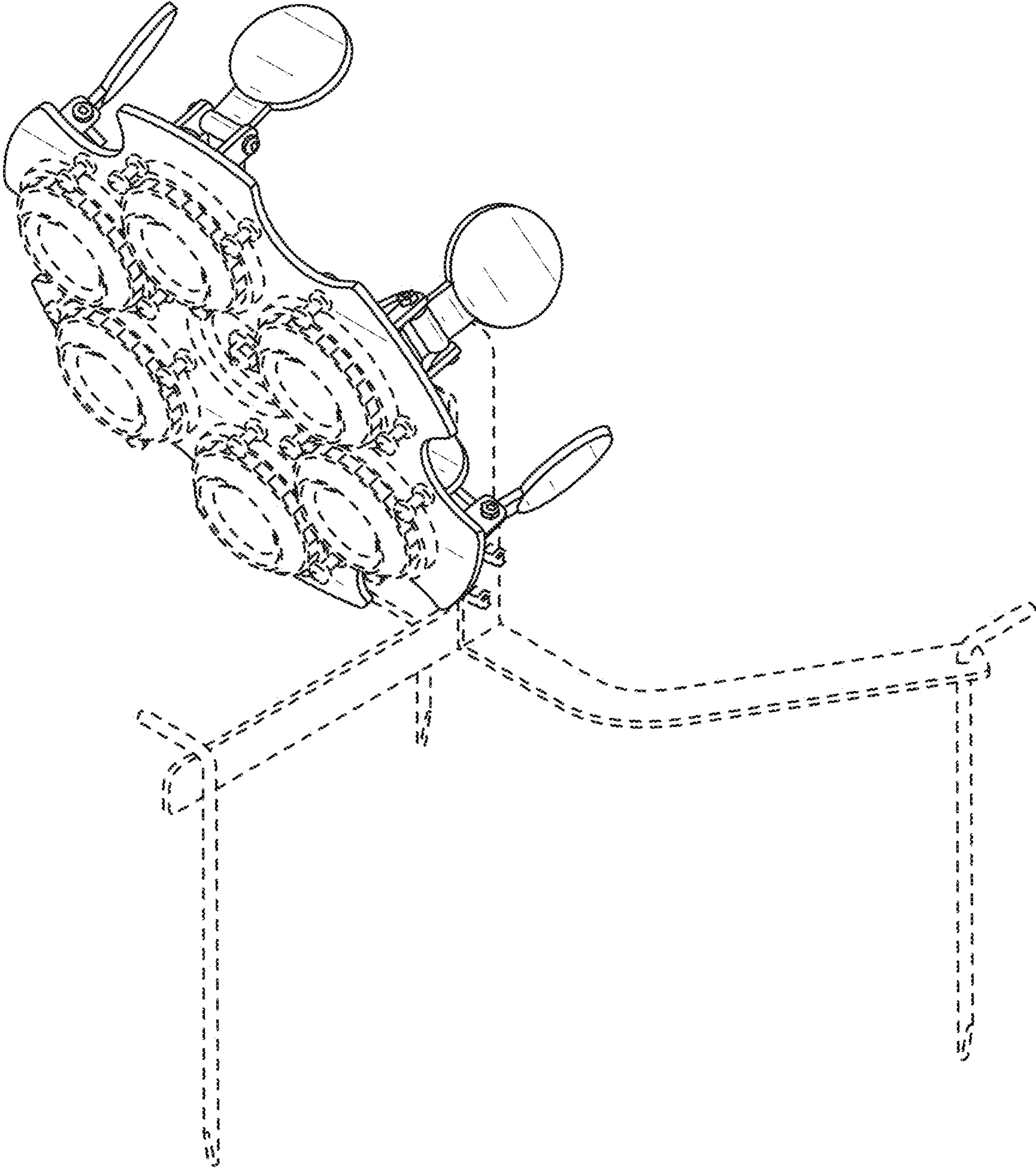


FIG. 8

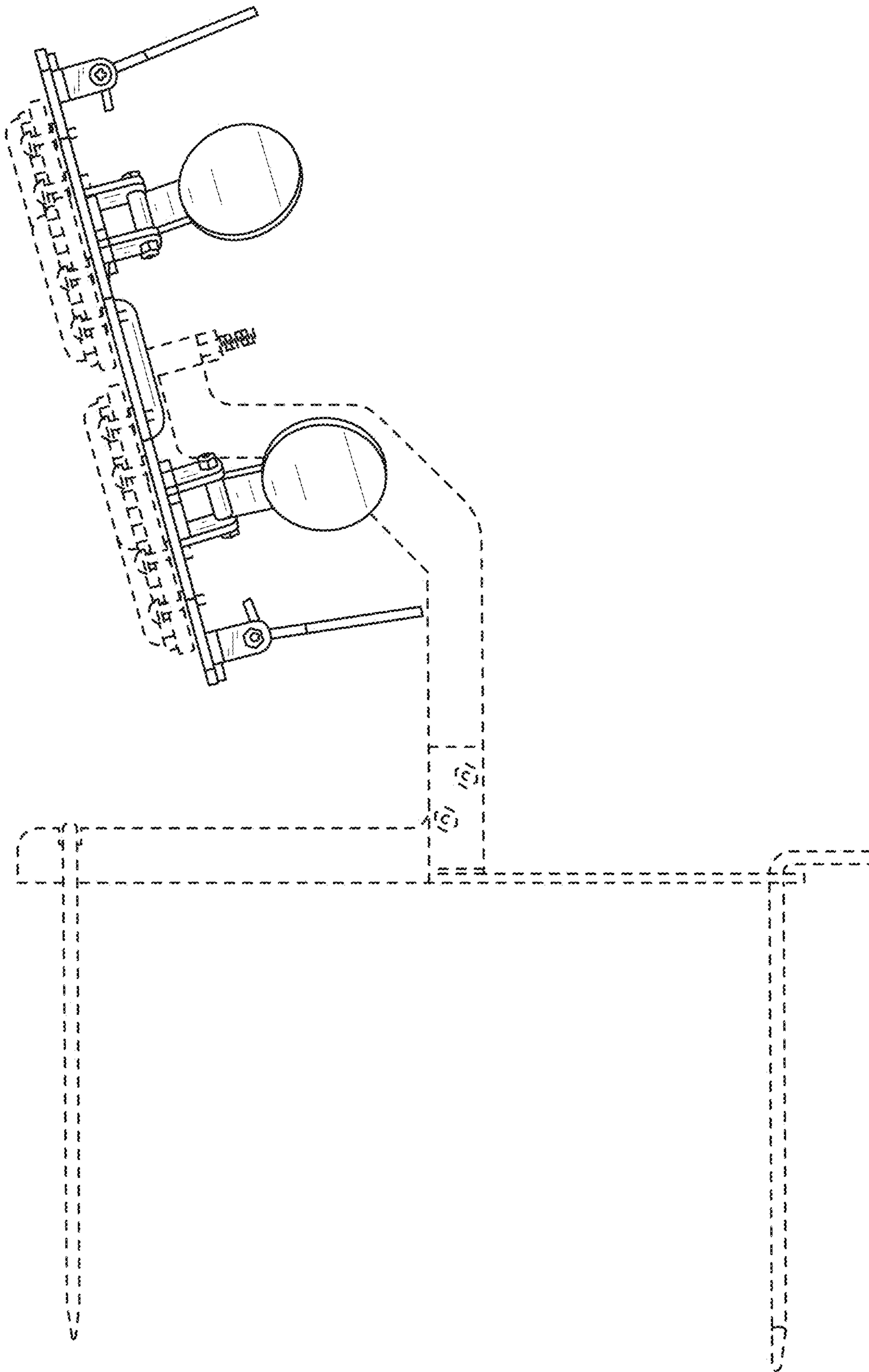


FIG. 9

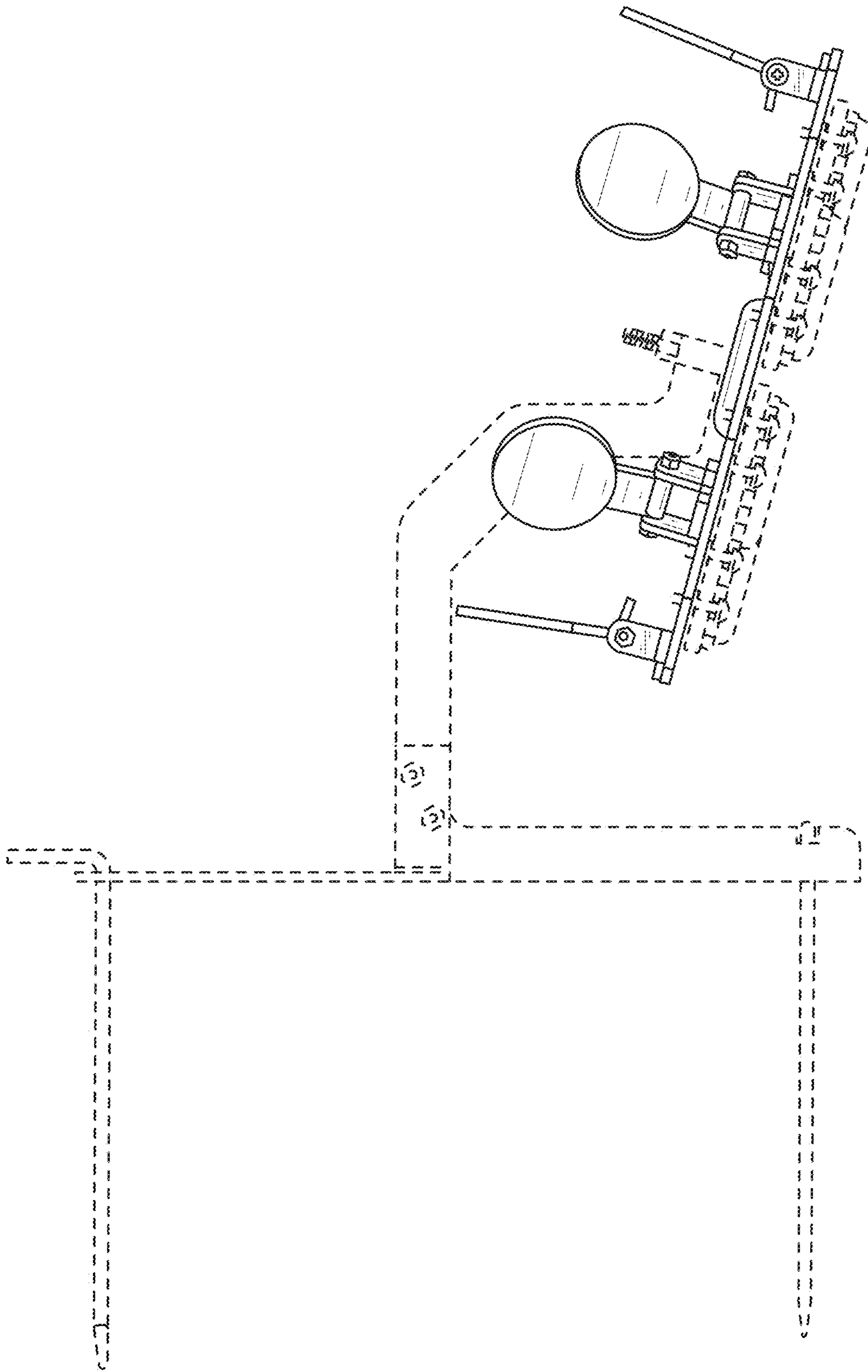


FIG. 10

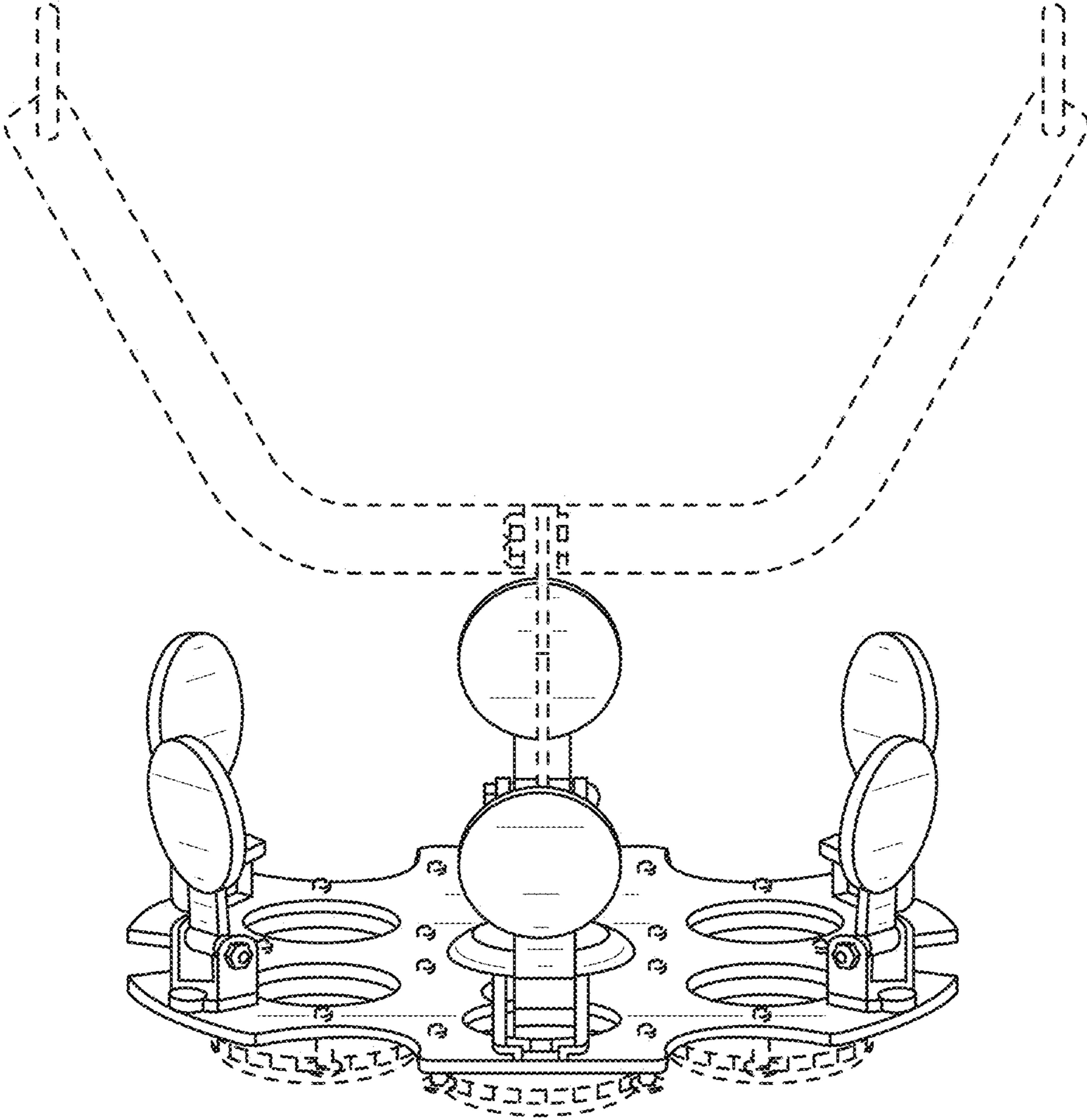


FIG. 11

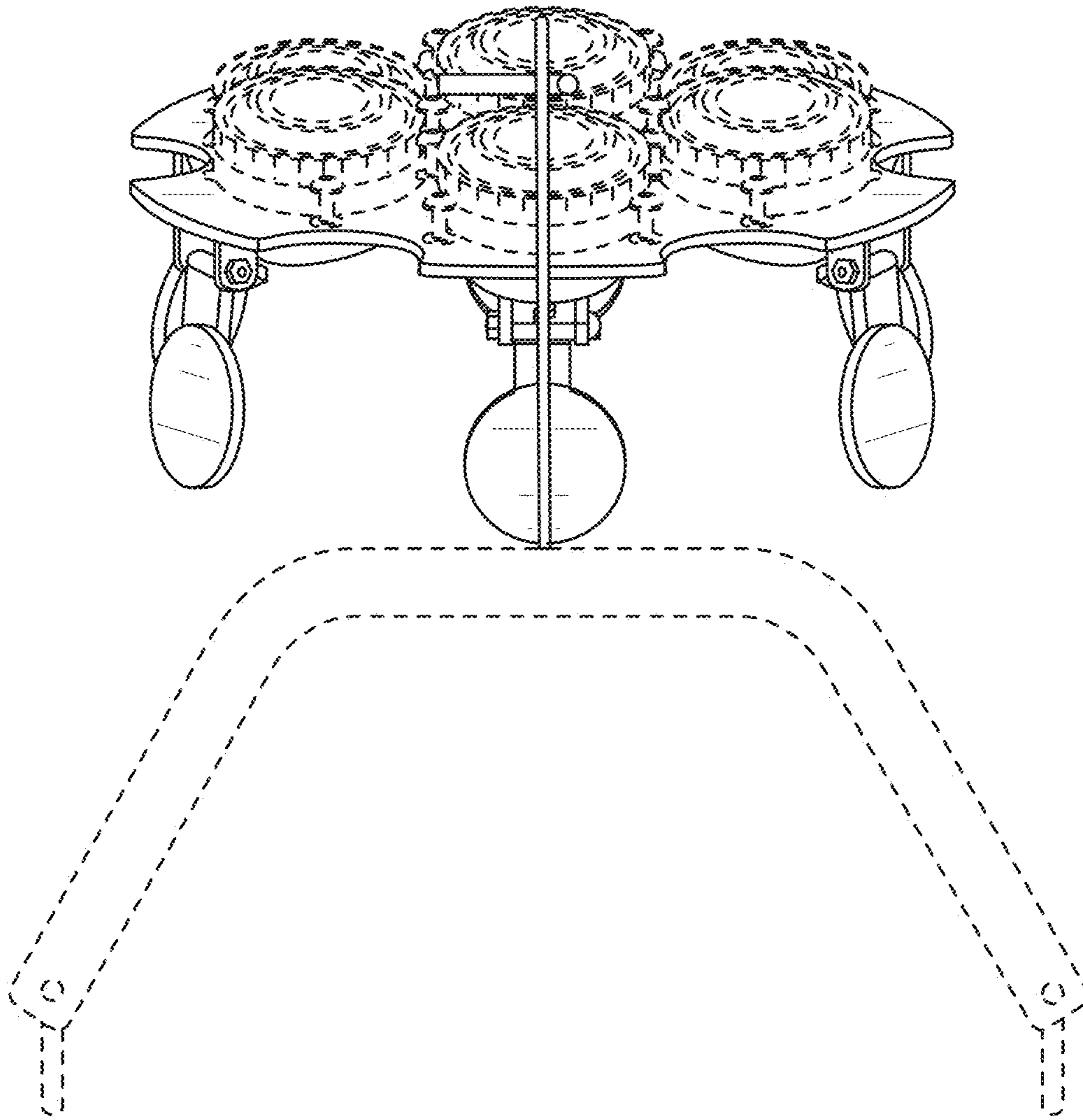


FIG. 12