



US00D933772S

(12) **United States Design Patent** (10) **Patent No.:** **US D933,772 S**
Sroufe (45) **Date of Patent:** **** Oct. 19, 2021**

(54) **PISTOL**
(71) Applicant: **Palmetto State Armory, LLC,**
Columbia, SC (US)
(72) Inventor: **Dustin Sroufe,** Charleston, SC (US)
(73) Assignee: **Palmetto State Armory,** Columbia, SC
(US)
(**) Term: **15 Years**

D791,262 S * 7/2017 Brown D22/104
9,714,804 B2 * 7/2017 Singh F41A 17/70
D808,487 S * 1/2018 Beville D22/104
D814,593 S * 4/2018 O'Clair D22/104
D814,596 S * 4/2018 Curry D22/108
D823,969 S * 7/2018 Beville D22/104
D828,892 S * 9/2018 Kellgren D22/104
D830,480 S * 10/2018 Chu D21/574
10,119,777 B2 * 11/2018 Wolf F41C 23/10
D839,970 S * 2/2019 Chu D21/574
D849,174 S * 5/2019 Beville D22/104

(Continued)

(21) Appl. No.: **29/713,773**
(22) Filed: **Nov. 19, 2019**
(51) **LOC (13) Cl.** **21-01**
(52) **U.S. Cl.**
USPC **D22/104; D21/574**
(58) **Field of Classification Search**
USPC D22/100, 101, 103, 104, 105; D21/567,
D21/570, 573, 574, 575
CPC F41C 3/00; F41C 7/00
See application file for complete search history.

OTHER PUBLICATIONS

“[SHOT 2020] The Palmetto State Armory PS9 Dagger Pistol”
[online]. Ray I. [Published on Jan. 24, 2020]. Retrieved from the
Internet: <<https://www.thefirearmblog.com/blog/2020/01/24/shot-2020-palmetto-state-armory-ps9-dagr-pistol/>>.*

(Continued)

Primary Examiner — Mojtaba Tehrani
(74) *Attorney, Agent, or Firm* — Burr & Forman, LLP;
Douglas L. Lineber

(56) **References Cited**

U.S. PATENT DOCUMENTS

D345,407 S * 3/1994 Ruger D22/104
D359,098 S * 6/1995 Stevens D22/104
D387,842 S * 12/1997 Kaminski D22/100
D430,916 S * 9/2000 Bubits D22/100
D464,702 S * 10/2002 Mauch D22/104
D479,570 S * 9/2003 Scheunert D22/104
D503,207 S * 3/2005 Salva D22/104
D593,629 S * 6/2009 Bantle D22/104
D597,625 S * 8/2009 Pflaumer D22/104
D598,065 S * 8/2009 Vukovic D22/104
D627,028 S * 11/2010 Coulombier D22/104
D690,374 S * 9/2013 Lee D21/574
8,950,100 B2 * 2/2015 Nebeker F41A 35/00
42/108
D744,049 S * 11/2015 Chu D21/574
D755,324 S * 5/2016 Martelli D22/104

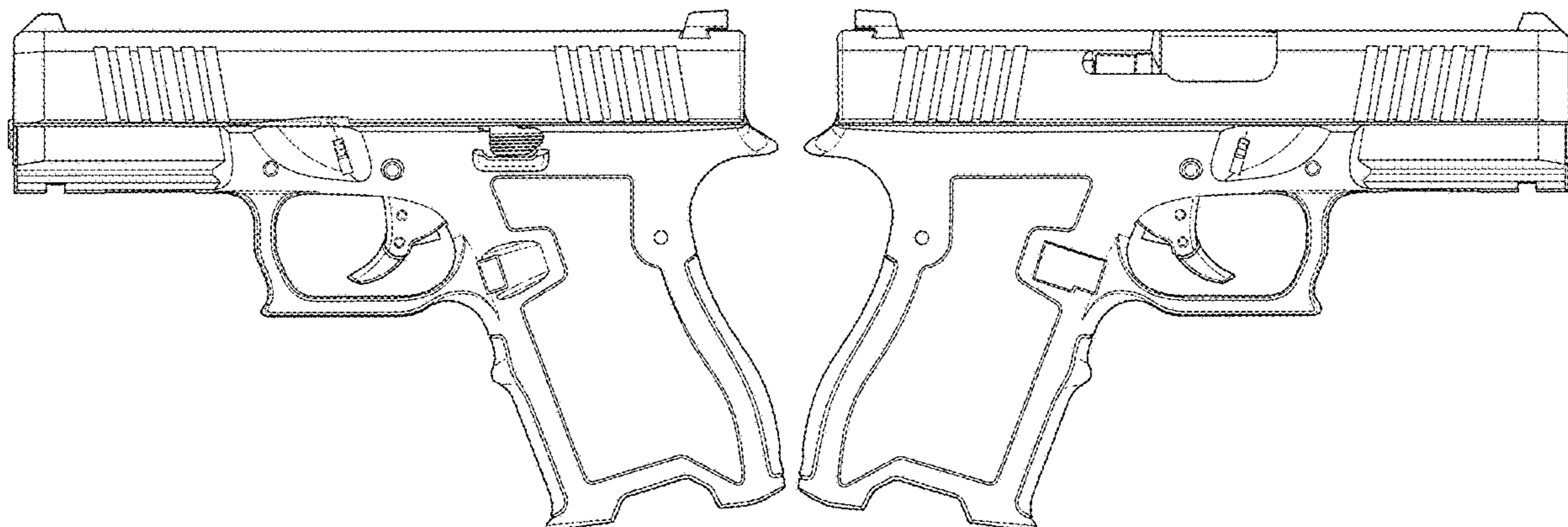
(57) **CLAIM**

The ornamental design for a pistol, as shown and described.

DESCRIPTION

FIG. 1 is a left side perspective view of the pistol;
FIG. 2 is a right side perspective view of the unpacked
pistol;
FIG. 3 is a left side view of the pistol;
FIG. 4 is a right side view of the pistol;
FIG. 5 is a front view of the pistol; and,
FIG. 6 is a back view of the pistol.
The evenly broken lines in the drawing figures disclose
unclaimed subject matter, which form no part of the claimed
design.

1 Claim, 5 Drawing Sheets



(56)

References Cited

U.S. PATENT DOCUMENTS

D854,642 S * 7/2019 Shinkle D22/104
D857,142 S * 8/2019 Beville D22/104
D868,191 S * 11/2019 Martelli D22/104
D868,192 S * 11/2019 Martelli D22/104
D894,310 S * 8/2020 Spine D22/104
2009/0071053 A1 * 3/2009 Thomele F41A 15/12
42/1.01

OTHER PUBLICATIONS

“The 50 Best Concealed Carry Guns In 2020” [online]. clingerholsters.com. [Retrieved on Dec. 18, 2020]. Retrieved from the Internet: <<https://clingerholsters.com/50-best-concealed-carry-guns/>>.*
“CZ P10C vs. Glock 19 (and Full Review)” [online]. TFB TV. [Published on Oct. 16, 2019]. Retrieved from the Internet: <<https://www.youtube.com/watch?v=wkDt07hZvVg>>.*
“SIG Faceoff—SIG P365 vs X-Compact vs P365 XL” [online]. Matt E. [Published on Aug. 7, 2019]. Retrieved from the Internet: <<https://www.thefirearmblog.com/blog/2019/08/07/sig-faceoff-sig-p365-vs-x-compact-vs-p365-xl/>>.*

* cited by examiner

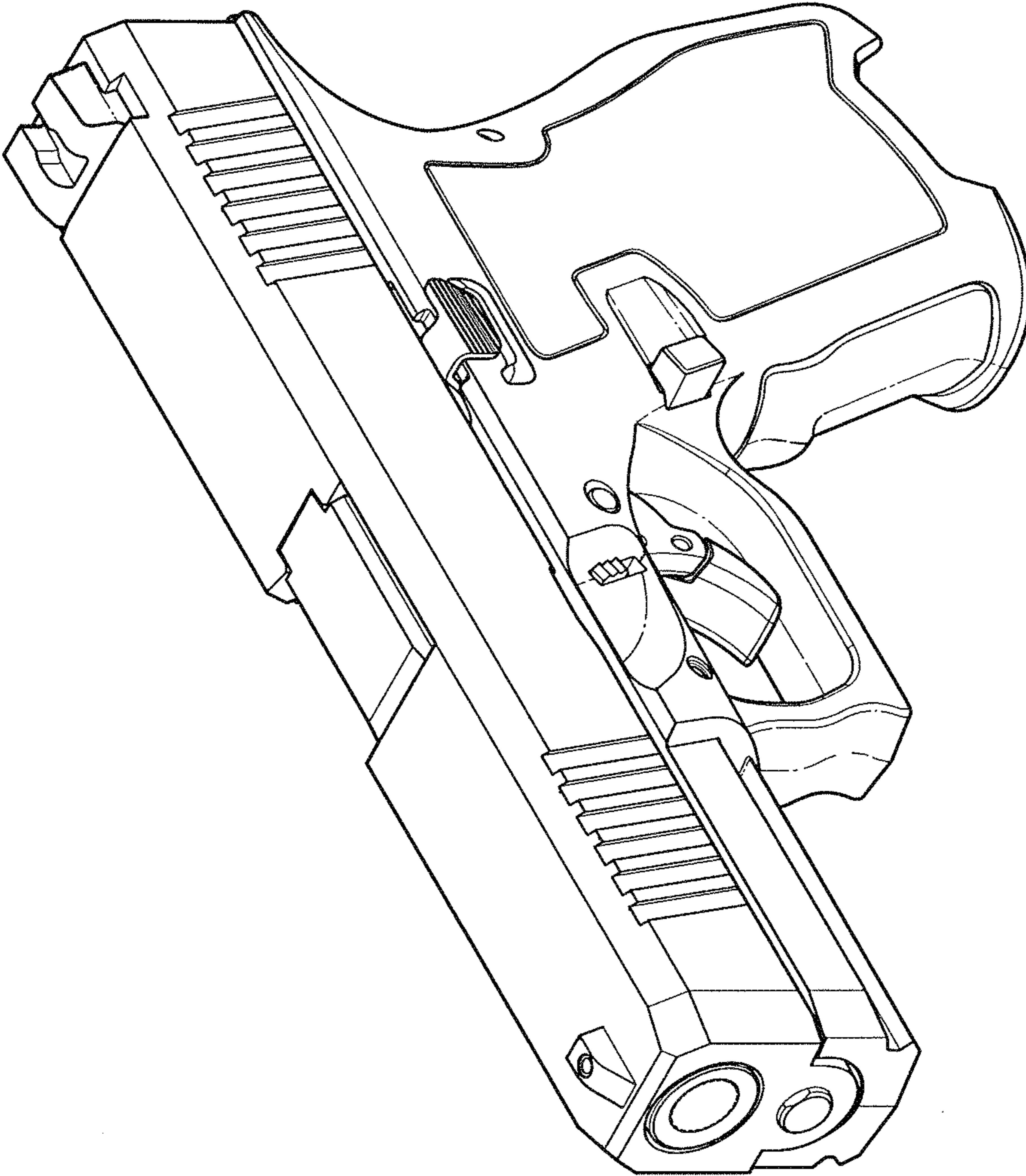


Fig. 1

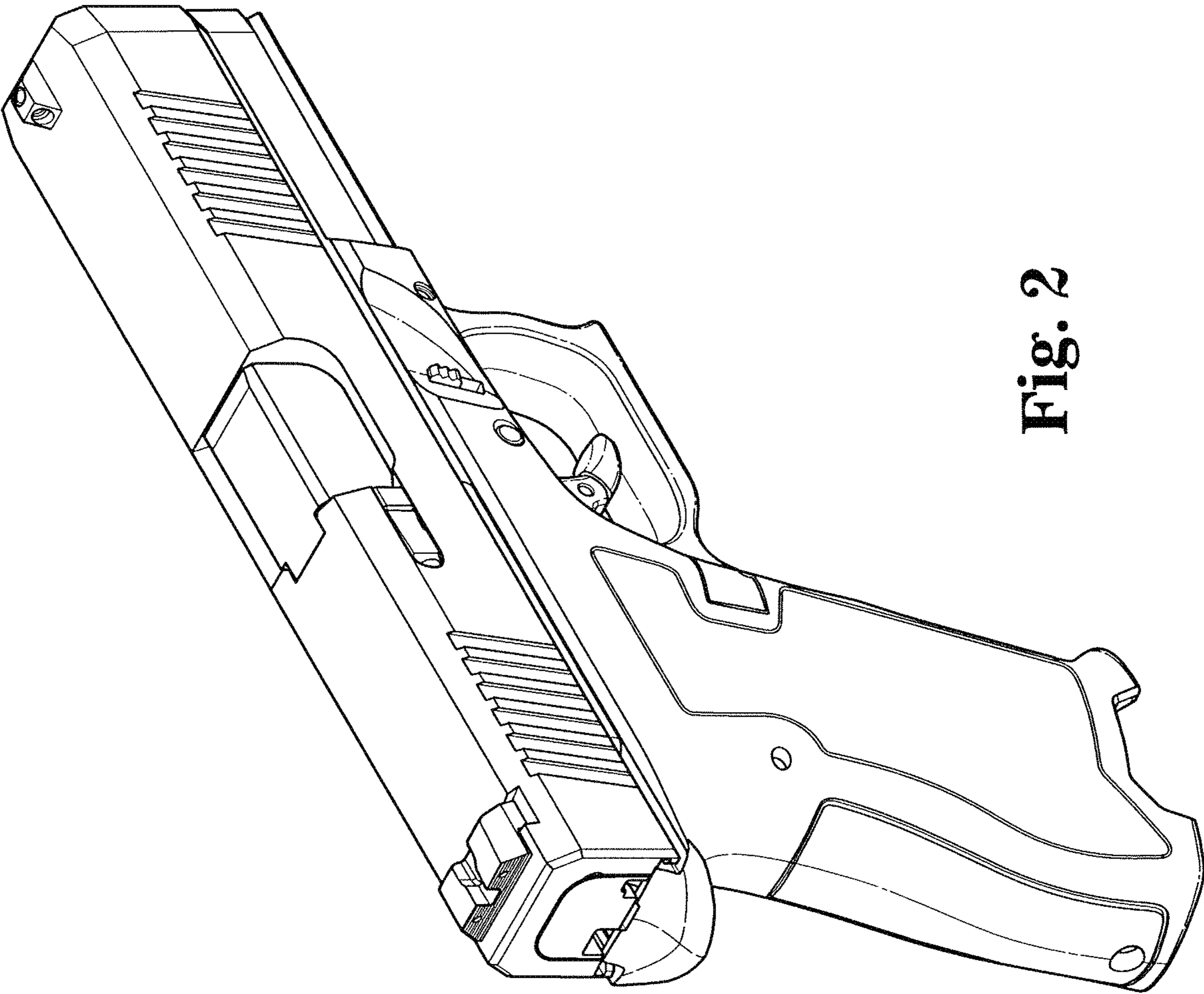


Fig. 2

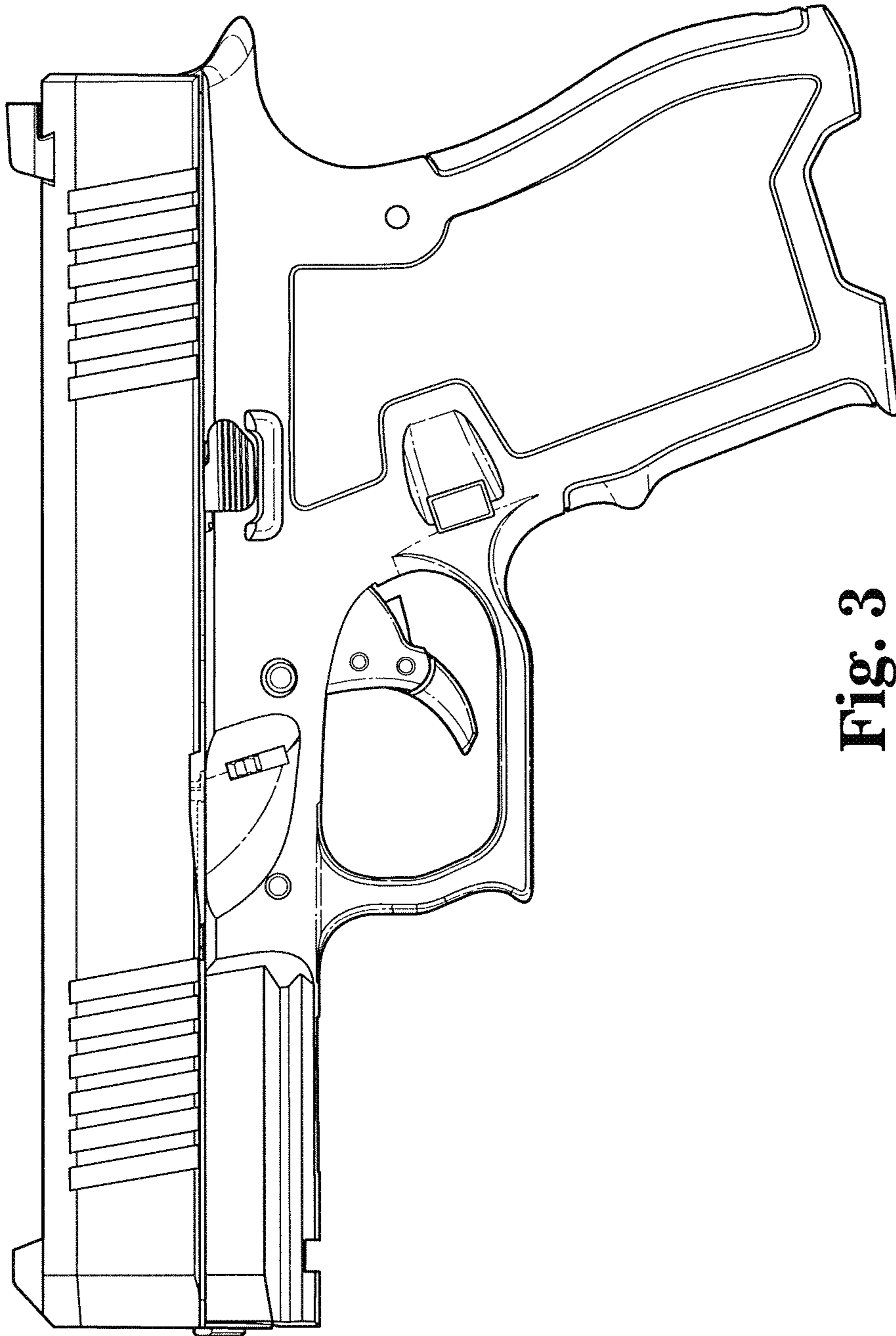


Fig. 3

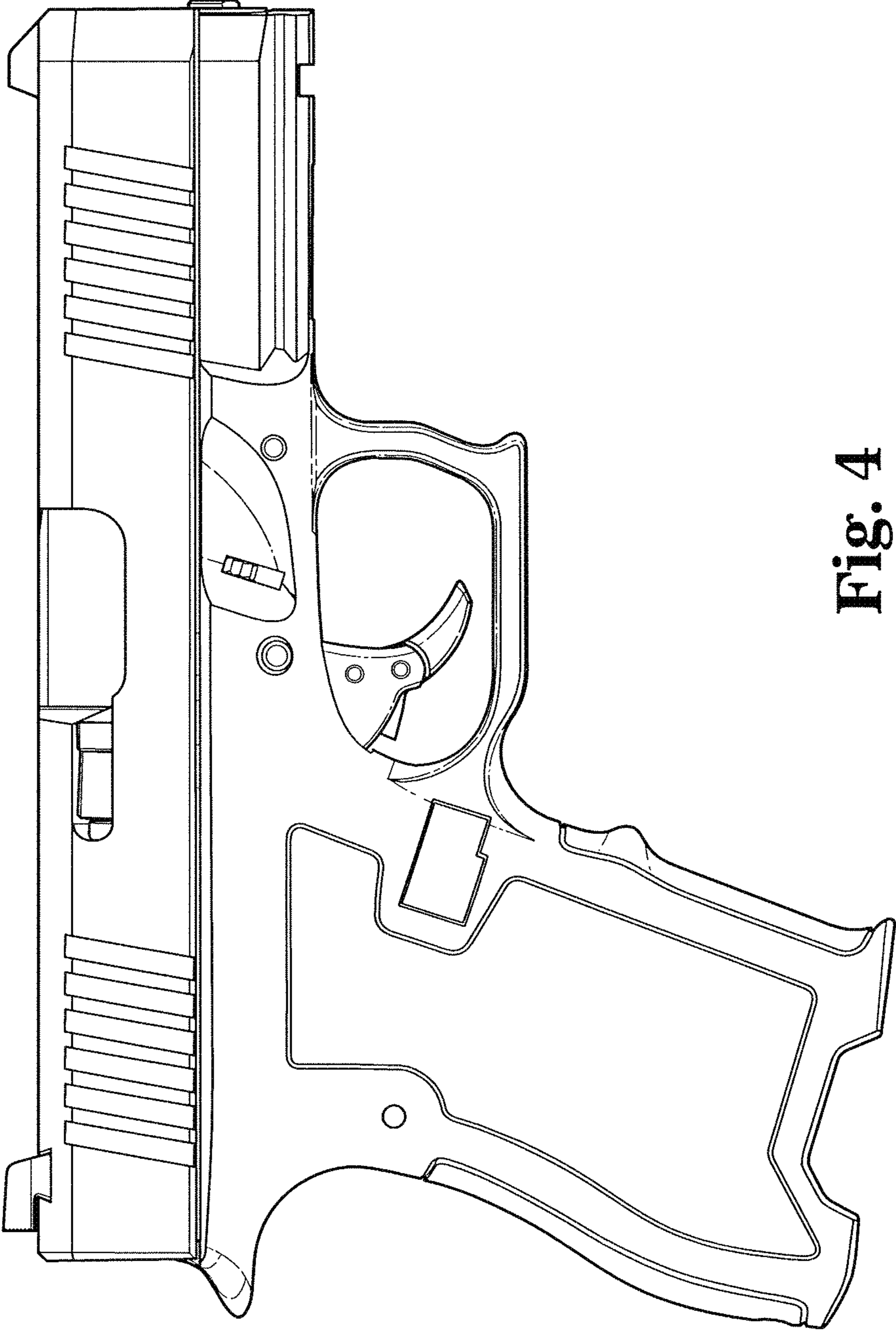


Fig. 4

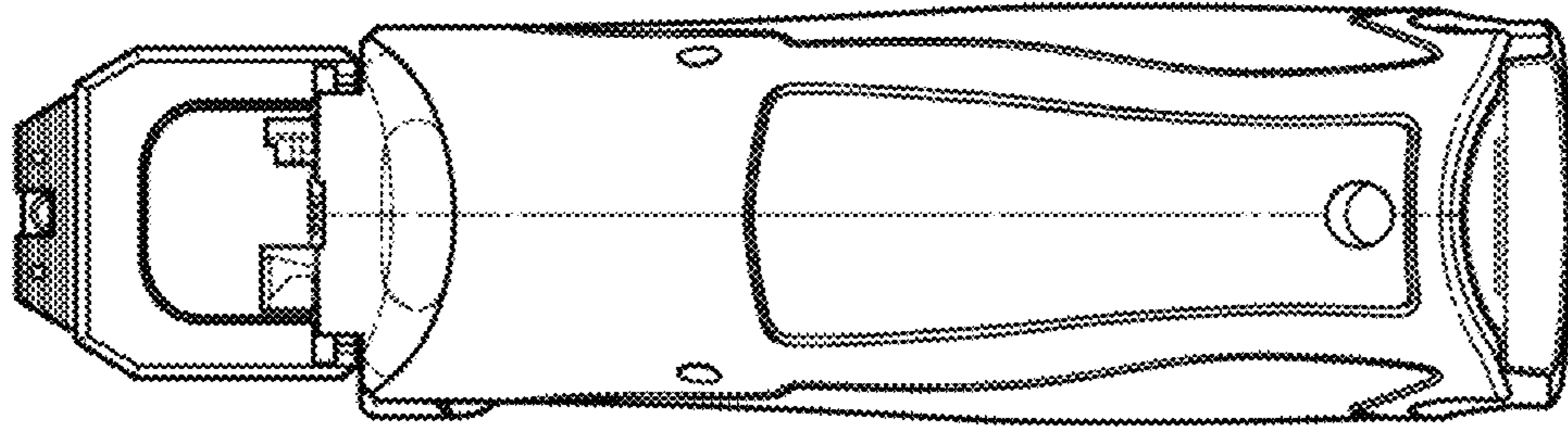


Fig. 6

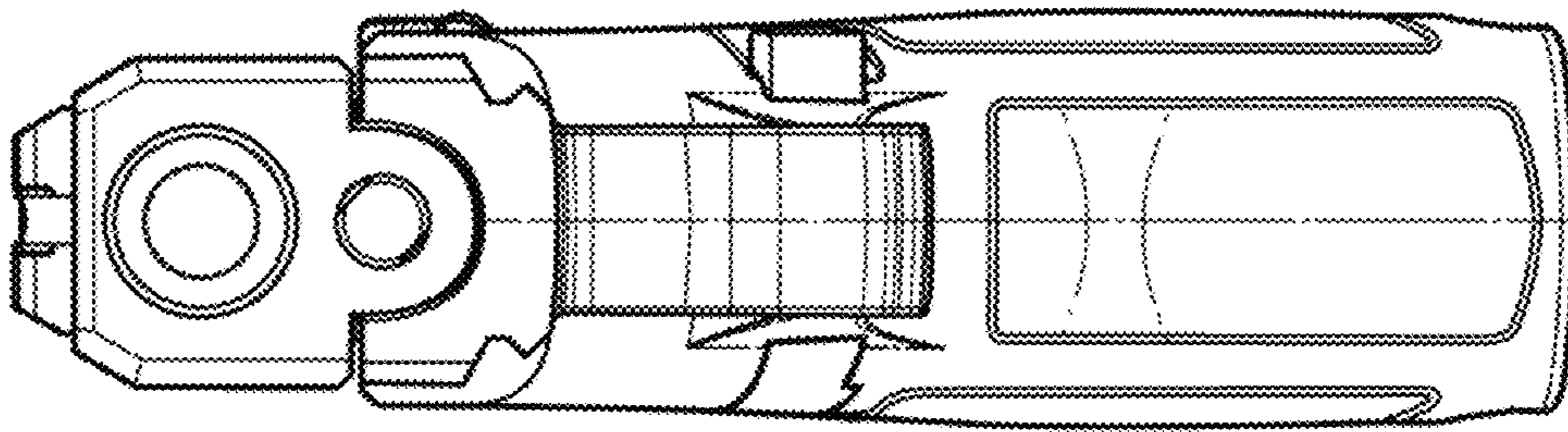


Fig. 5