



US00D933771S

(12) **United States Design Patent**
Ninete

(10) **Patent No.:** **US D933,771 S**
(45) **Date of Patent:** **** Oct. 19, 2021**

(54) **BED TENT**

DESCRIPTION

- (71) Applicant: **Privacy Pop, LLC**, Irvine, CA (US)
- (72) Inventor: **Danny Ninete**, Irvine, CA (US)
- (73) Assignee: **PRIVACY POP, LLC**, Irvine, CA (US)
- (**) Term: **15 Years**
- (21) Appl. No.: **29/733,670**
- (22) Filed: **May 5, 2020**
- (51) **LOC (13) Cl.** **21-04**
- (52) **U.S. Cl.**
USPC **D21/838**
- (58) **Field of Classification Search**
USPC D21/834, 838, 839; D6/389, 382, 602,
D6/606, 610, 616
CPC E04H 15/40; E04H 15/48; E04H 15/324;
A47C 17/64; A47C 29/003
See application file for complete search history.

FIG. 1 is a front perspective view of a first embodiment of my bed tent;
 FIG. 2 is a rear perspective view thereof;
 FIG. 3 is a front plan view thereof;
 FIG. 4 is a rear plan view thereof;
 FIG. 5 is a left side elevation view thereof;
 FIG. 6 is a right side elevation view thereof;
 FIG. 7 is a top plan view thereof; and
 FIG. 8 is a bottom plan view thereof;
 FIG. 9 is a front perspective view of a second embodiment of my bed tent;
 FIG. 10 is a rear perspective view thereof;
 FIG. 11 is a front plan view thereof;
 FIG. 12 is a rear plan view thereof;
 FIG. 13 is a left side elevation view thereof;
 FIG. 14 is a right side elevation view thereof;
 FIG. 15 is a top plan view thereof; and
 FIG. 16 is a bottom plan view thereof;
 FIG. 17 is a front perspective view of a third embodiment of my bed tent;
 FIG. 18 is a rear perspective view thereof;
 FIG. 19 is a front plan view thereof;
 FIG. 20 is a rear plan view thereof;
 FIG. 21 is a left side elevation view thereof;
 FIG. 22 is a right side elevation view thereof;
 FIG. 23 is a top plan view thereof; and
 FIG. 24 is a bottom plan view thereof.
 FIG. 25 is a front perspective view of a third embodiment of my bed tent;
 FIG. 26 is a rear perspective view thereof;
 FIG. 27 is a front plan view thereof;
 FIG. 28 is a rear plan view thereof;
 FIG. 29 is a left side elevation view thereof;
 FIG. 30 is a right side elevation view thereof;
 FIG. 31 is a top plan view thereof; and,
 FIG. 32 is a bottom plan view thereof.
 The broken lines form portions of the bed tent that do not form part of the claimed design.

(56) **References Cited**

U.S. PATENT DOCUMENTS

- 4,858,635 A * 8/1989 Eppenbach E04H 15/36
135/125
- D304,966 S * 12/1989 Eppenbach D21/838
- D369,492 S * 5/1996 Panno, Jr. D21/837
- D370,046 S * 5/1996 Eppenbach D21/838
- D372,953 S * 8/1996 Florez D21/838
- D652,886 S * 1/2012 Pedersen D21/834
- D681,146 S 4/2013 Sperry et al.

(Continued)

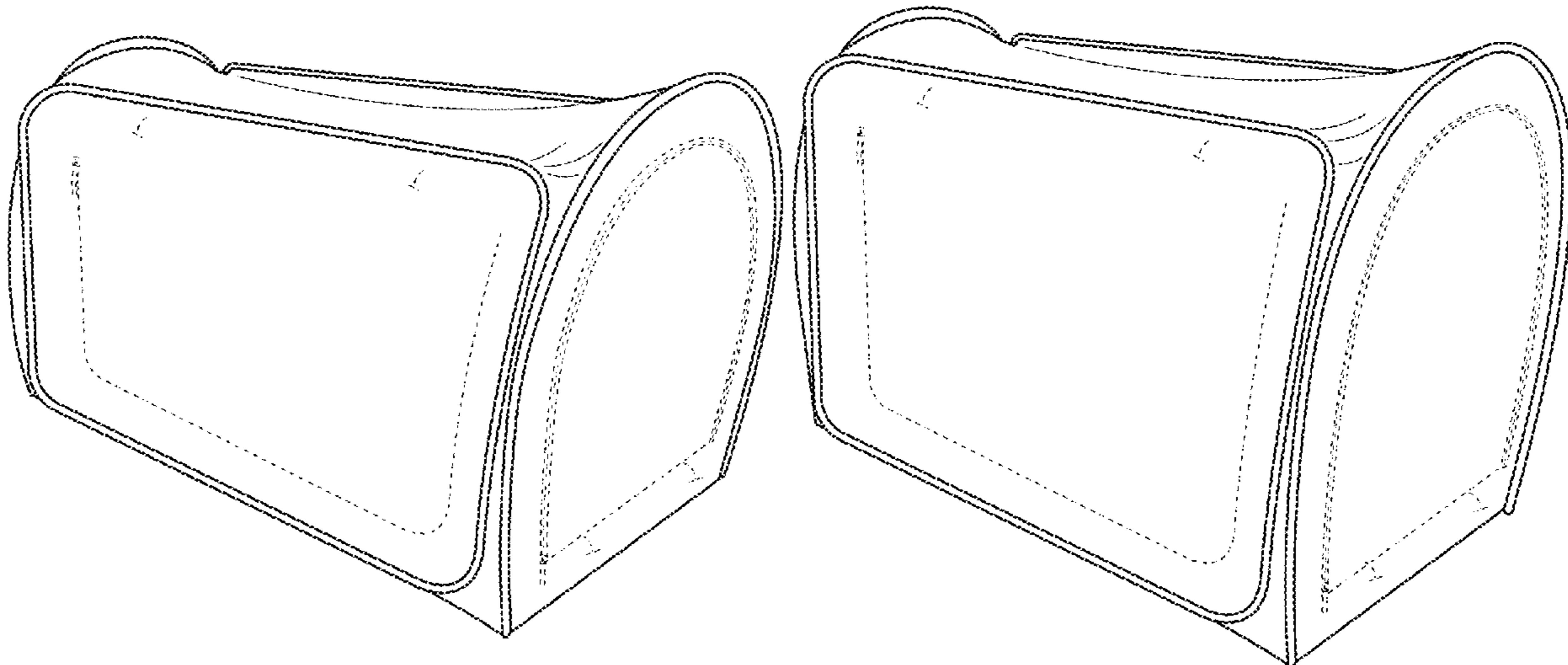
Primary Examiner — Cynthia M. Chin

(74) *Attorney, Agent, or Firm* — Cislo & Thomas, LLP

(57) **CLAIM**

The ornamental design for a bed tent, as shown and described.

1 Claim, 32 Drawing Sheets



(56)

References Cited

U.S. PATENT DOCUMENTS

D753,254 S * 4/2016 Brensinger D21/834
D780,871 S * 3/2017 Akkad D21/838
D842,959 S * 3/2019 Choi D21/834
D850,557 S * 6/2019 Choi D21/834
D852,915 S * 7/2019 Choi D21/834
D852,916 S * 7/2019 Choi D21/834
D858,675 S * 9/2019 Cheng D21/834
D872,208 S * 1/2020 Zhu D21/834
2003/0024560 A1* 2/2003 Tomason E04H 15/324
135/90
2003/0116566 A1* 6/2003 Ellen A47C 21/08
220/9.4
2004/0226224 A1* 11/2004 Scherer E04H 15/425
52/3
2014/0224288 A1* 8/2014 Mear E04H 15/324
135/96
2016/0242567 A1* 8/2016 Lime E04H 15/48
2020/0217100 A1* 7/2020 Xu E04H 15/405

* cited by examiner

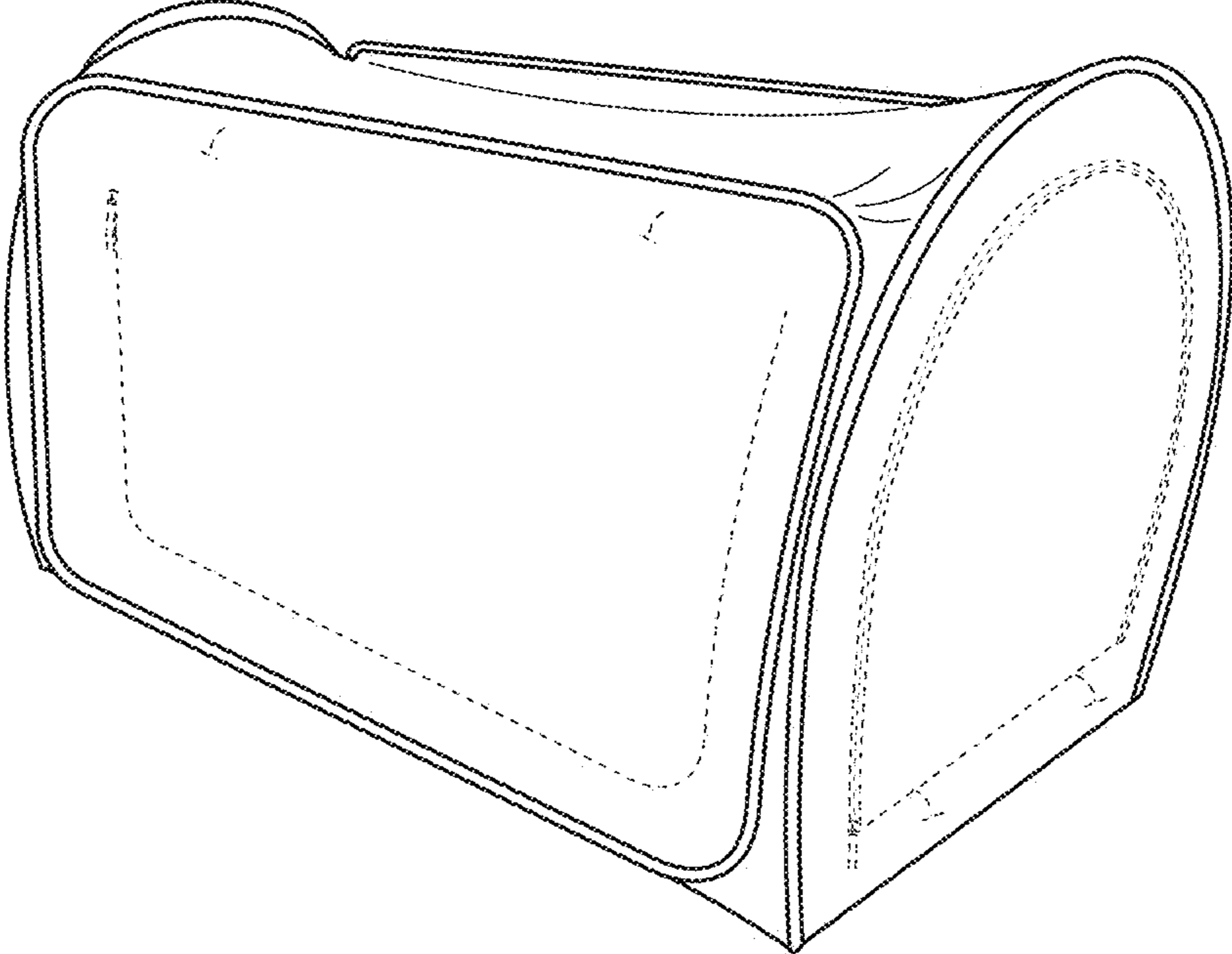


Fig. 1

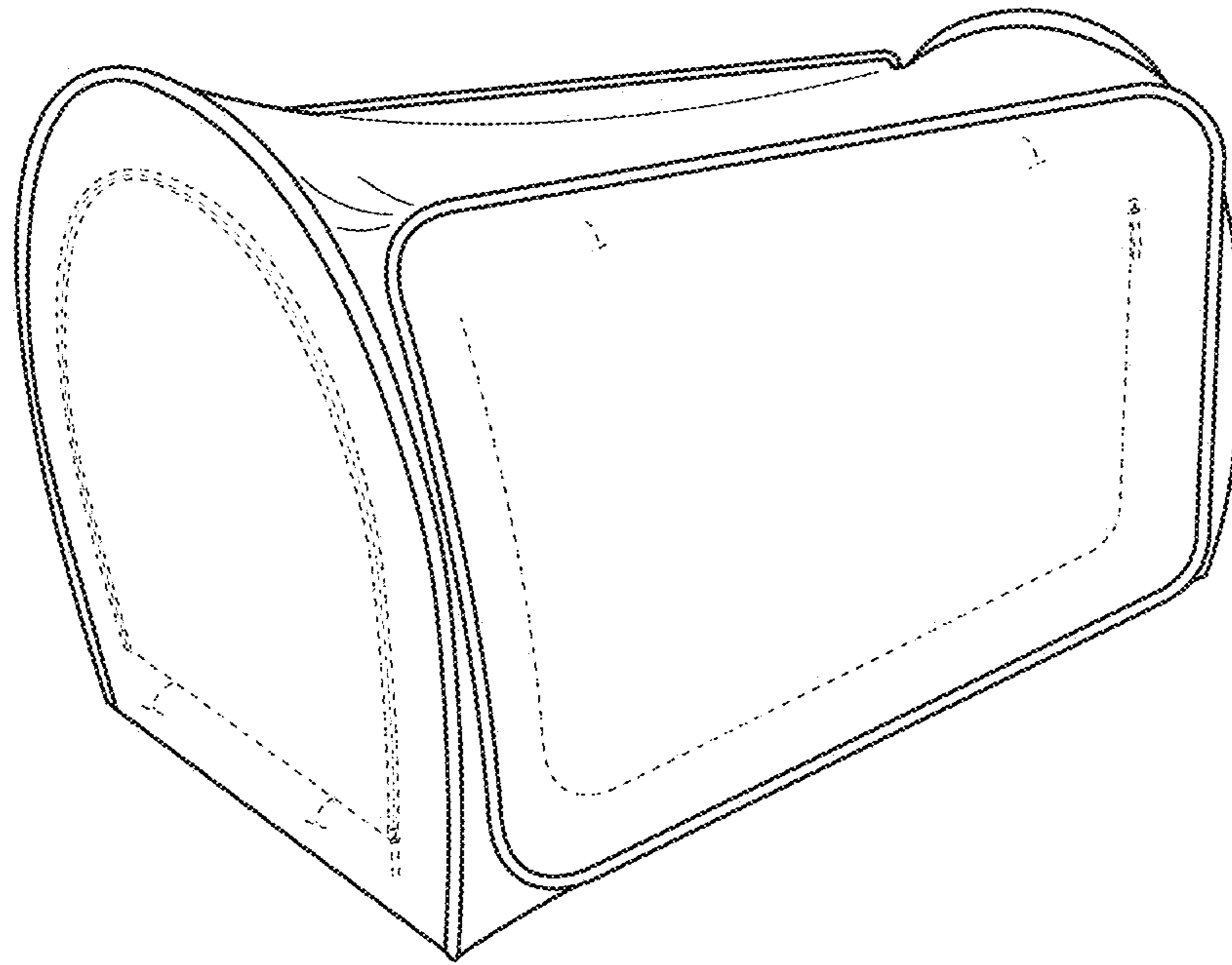


Fig. 2

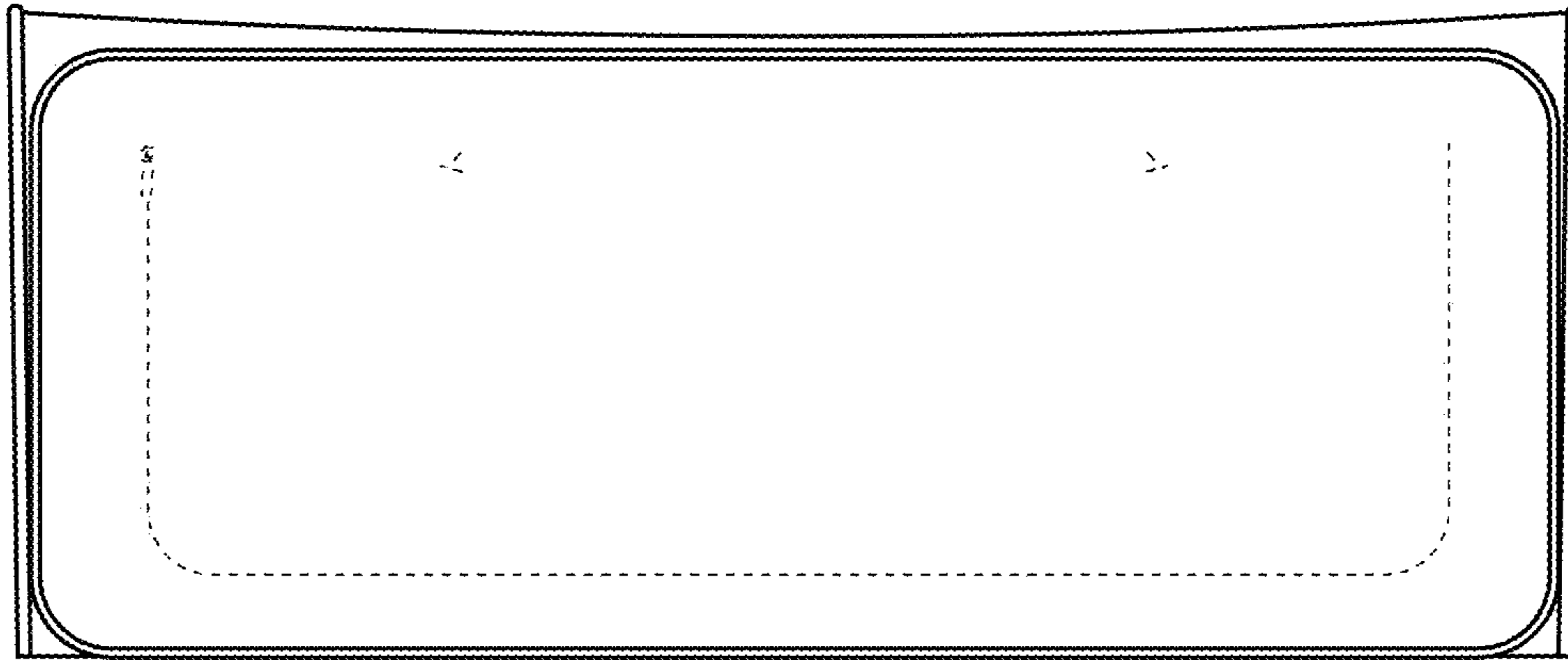


Fig. 3

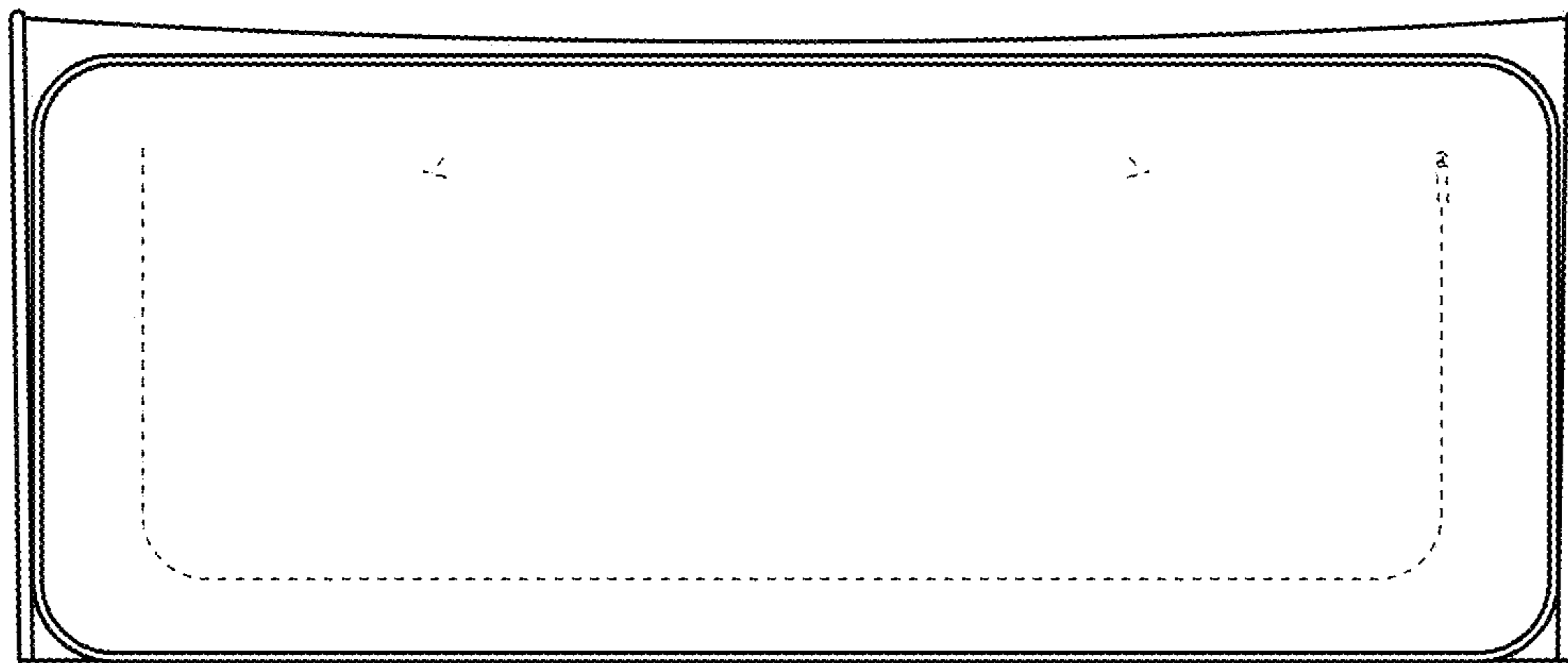


Fig. 4

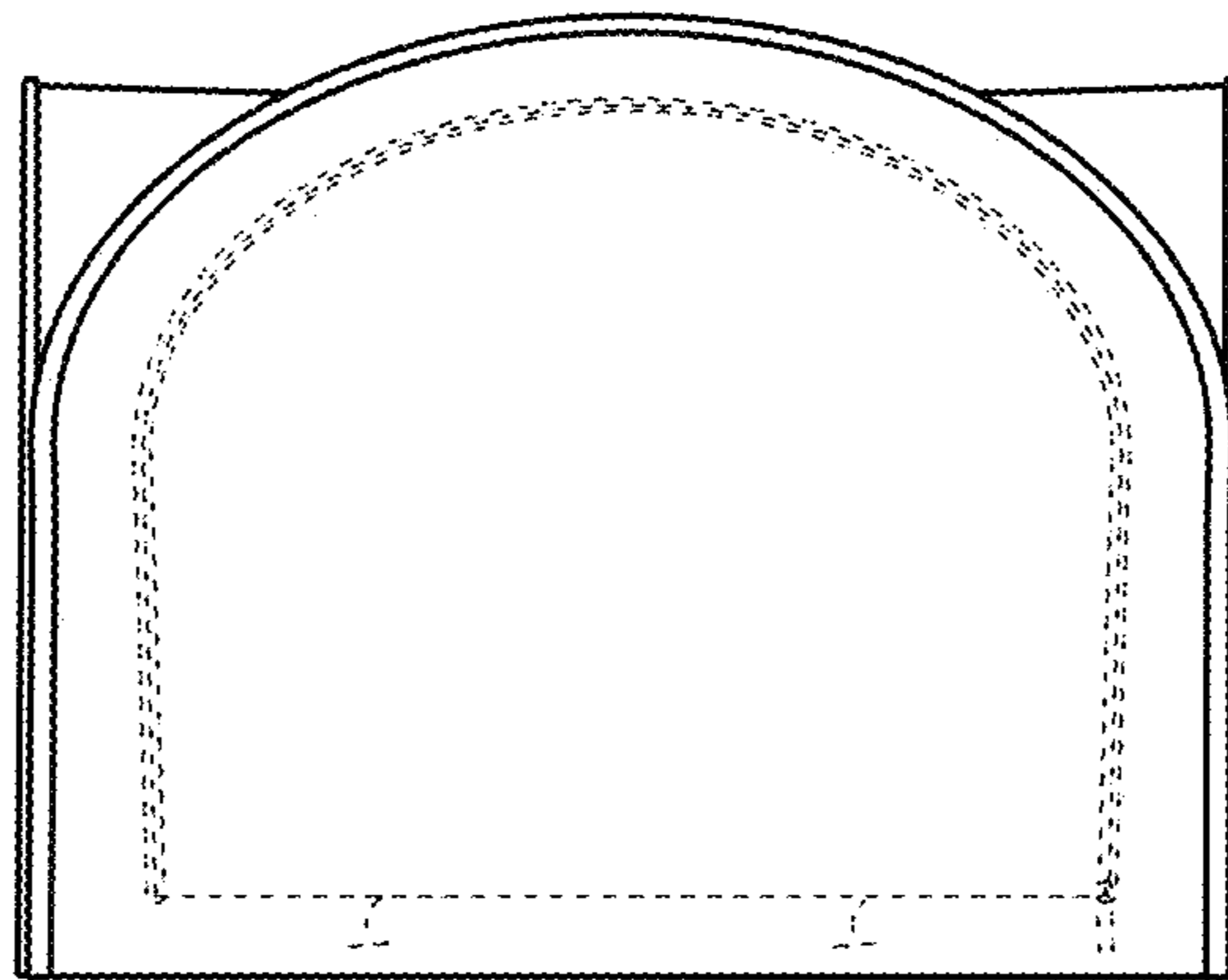


Fig. 5

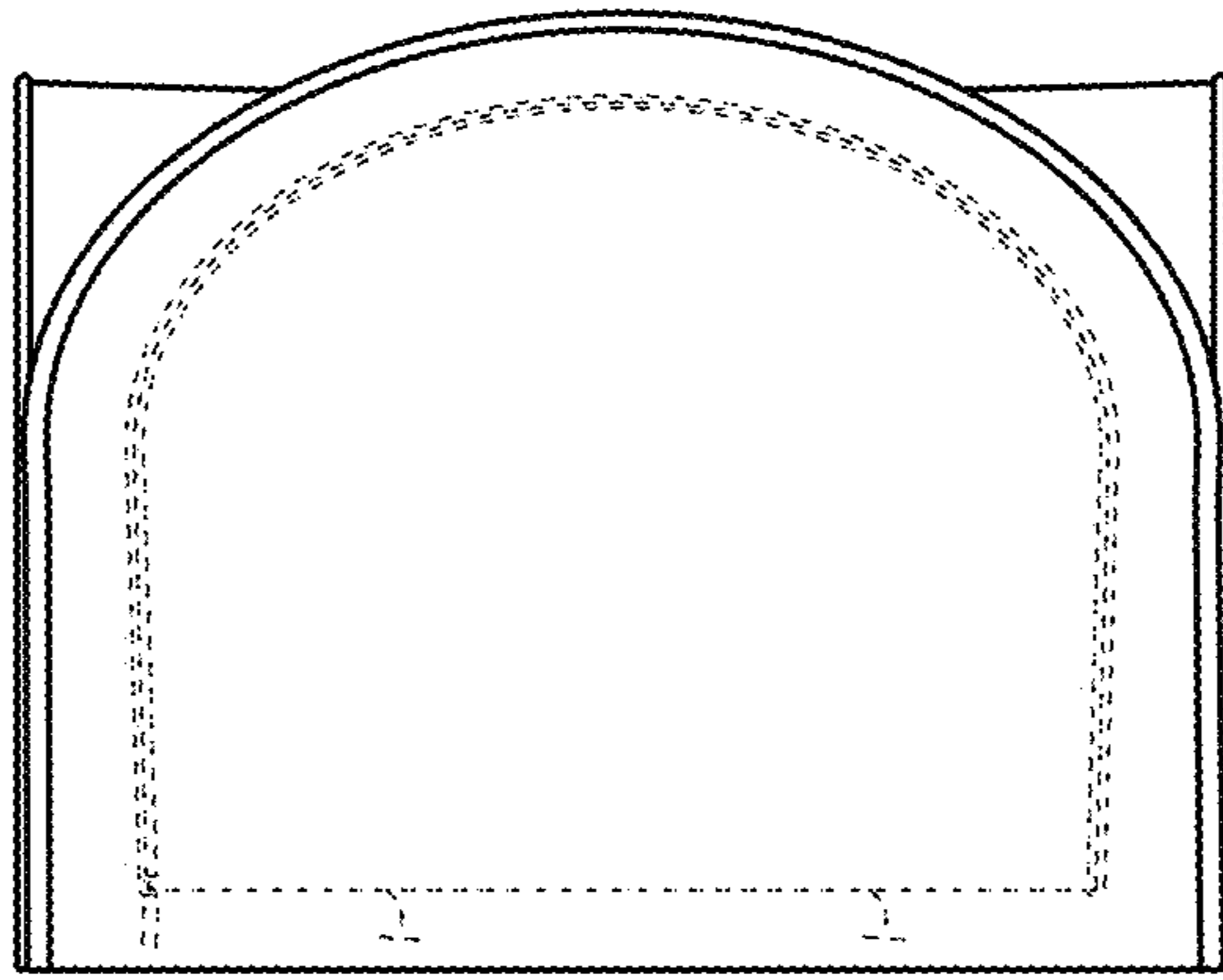


Fig. 6

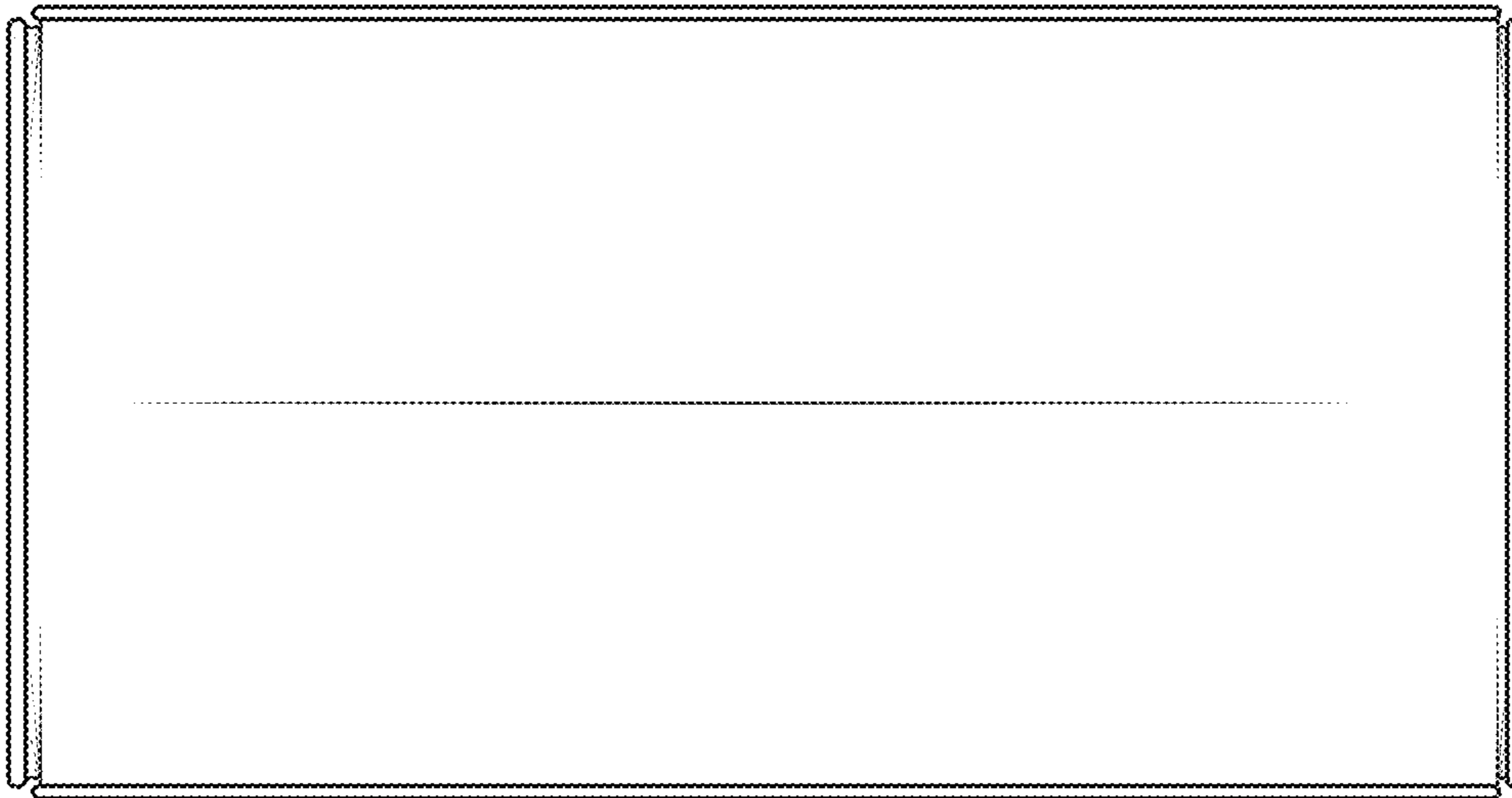


Fig. 7

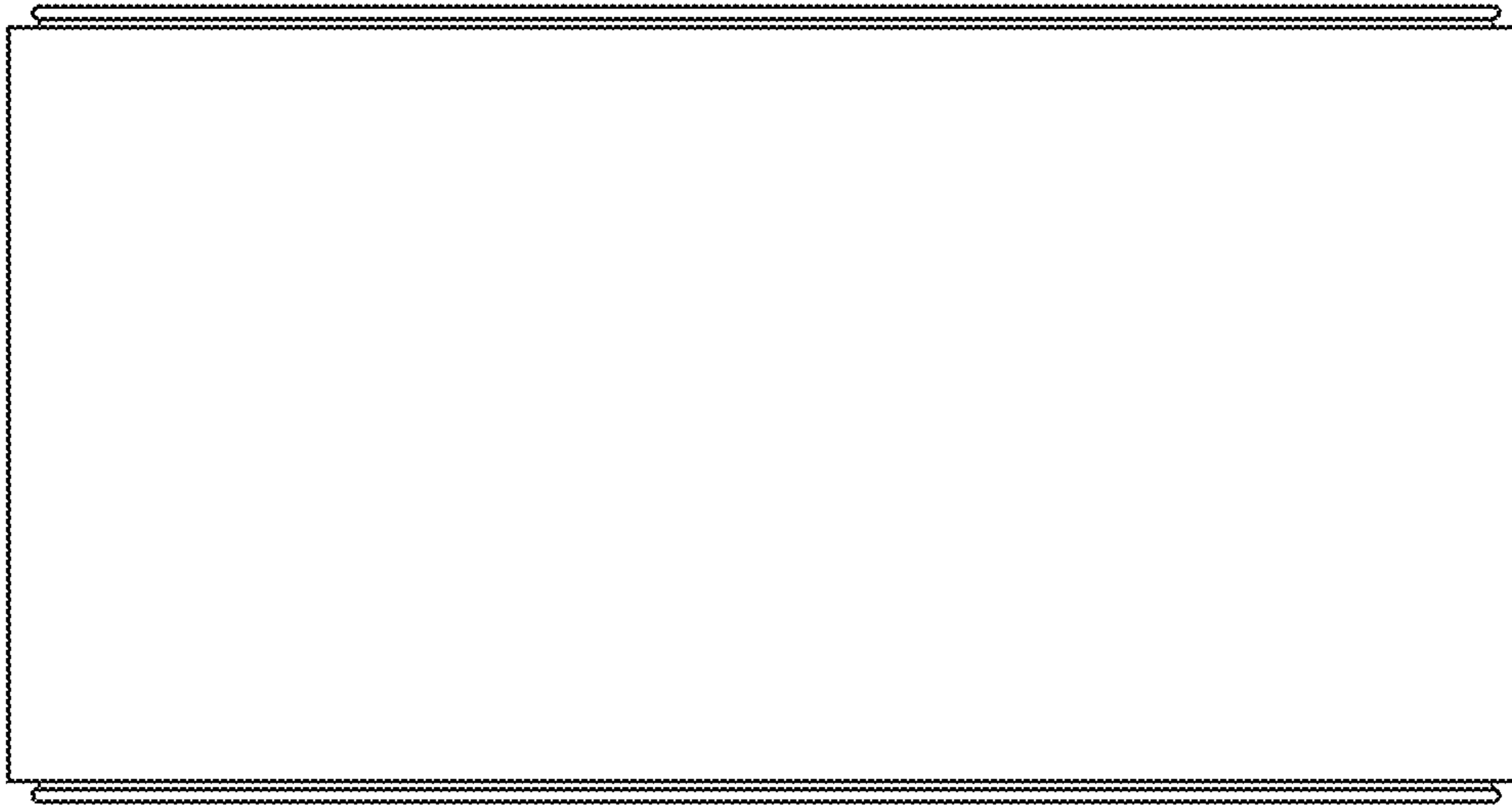


Fig. 8

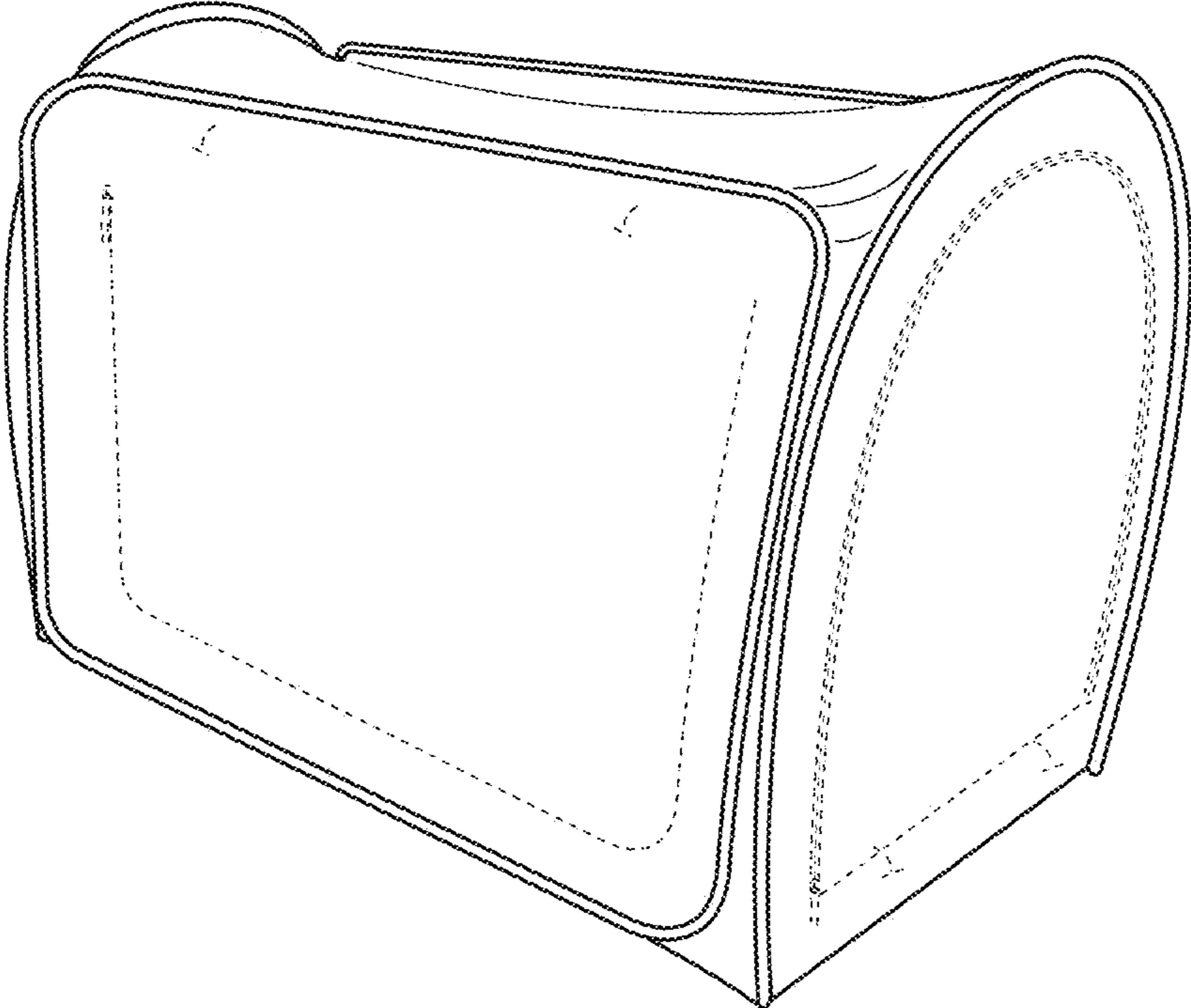


Fig. 9

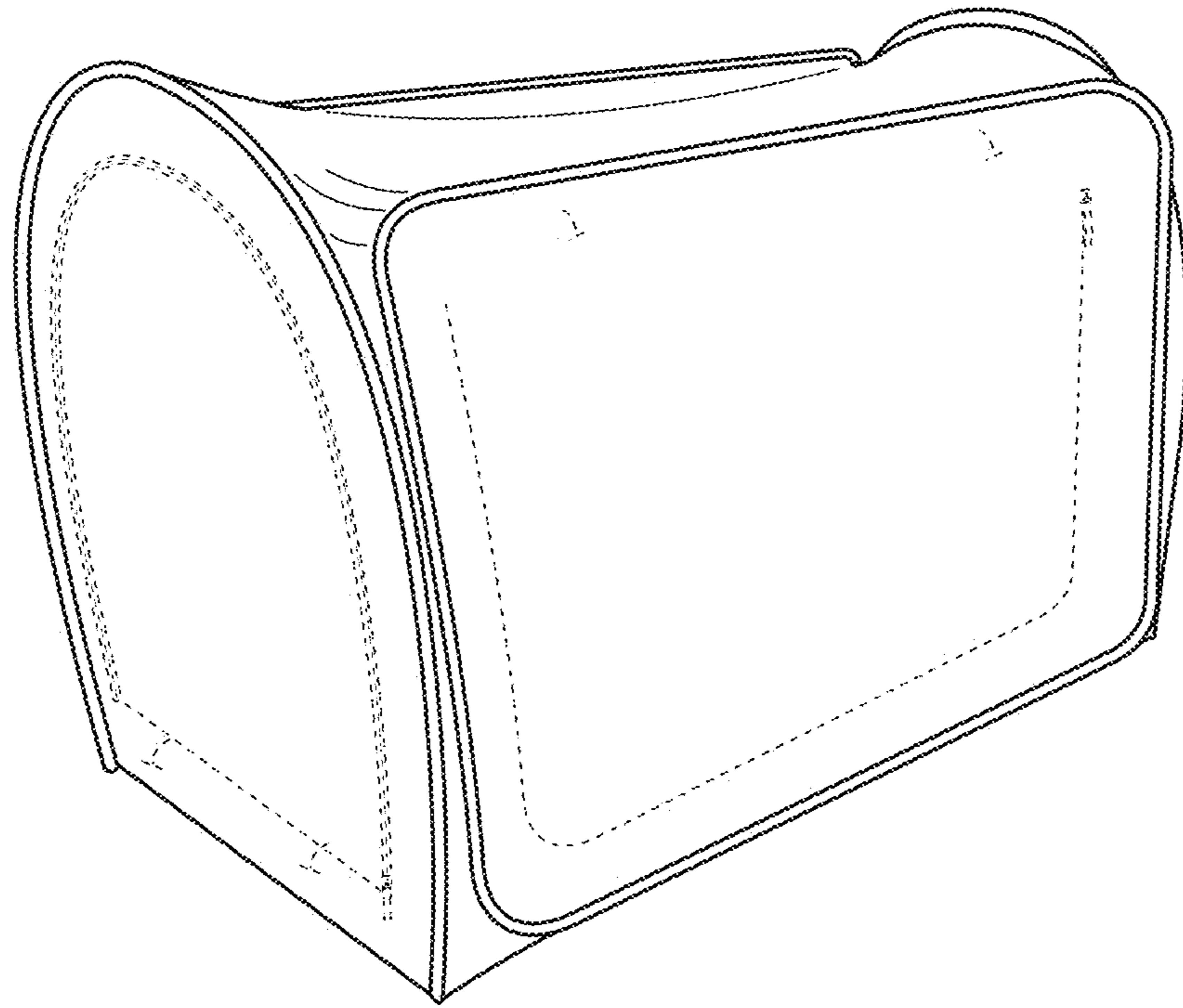


Fig. 10

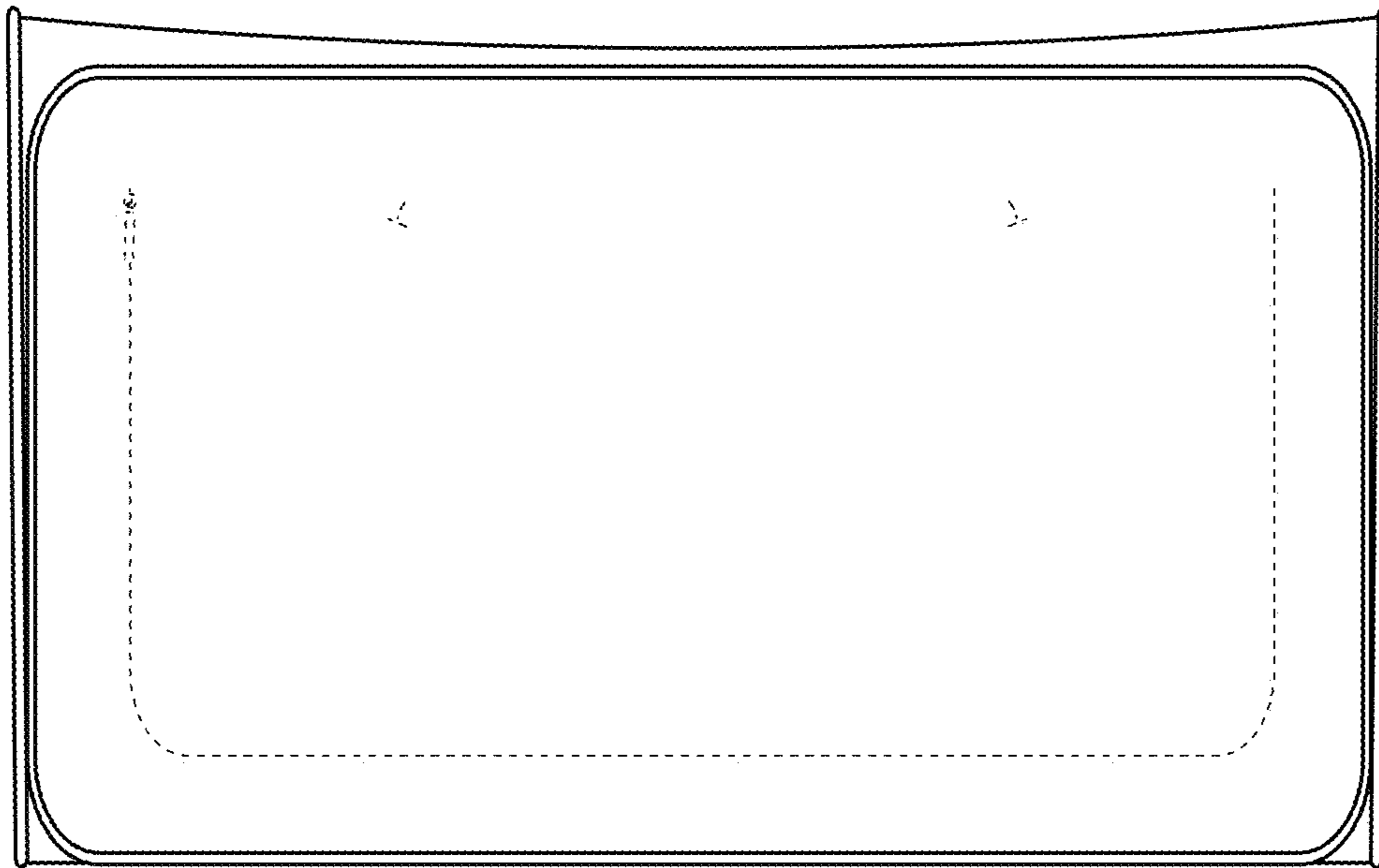


Fig. 11

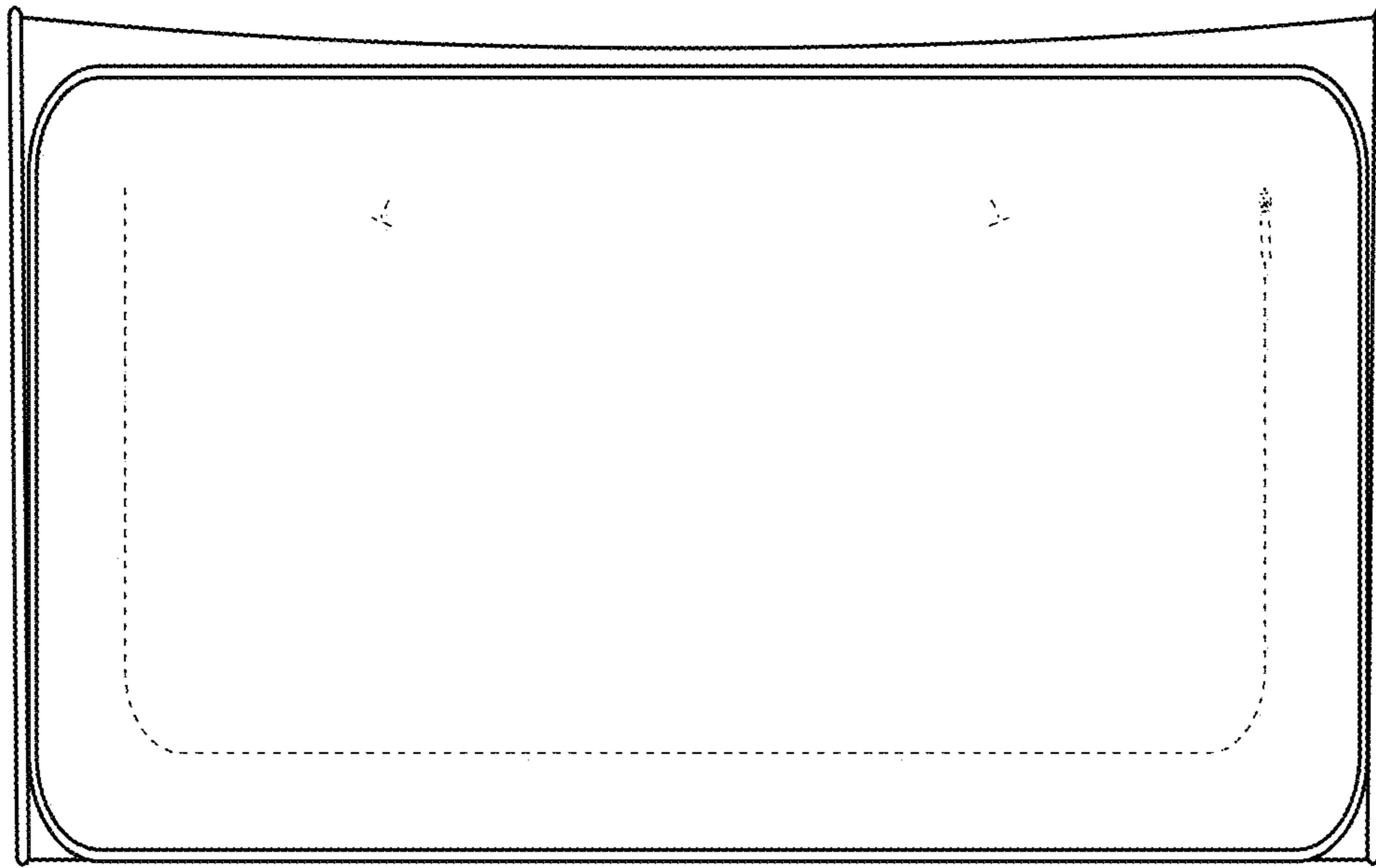


Fig. 12

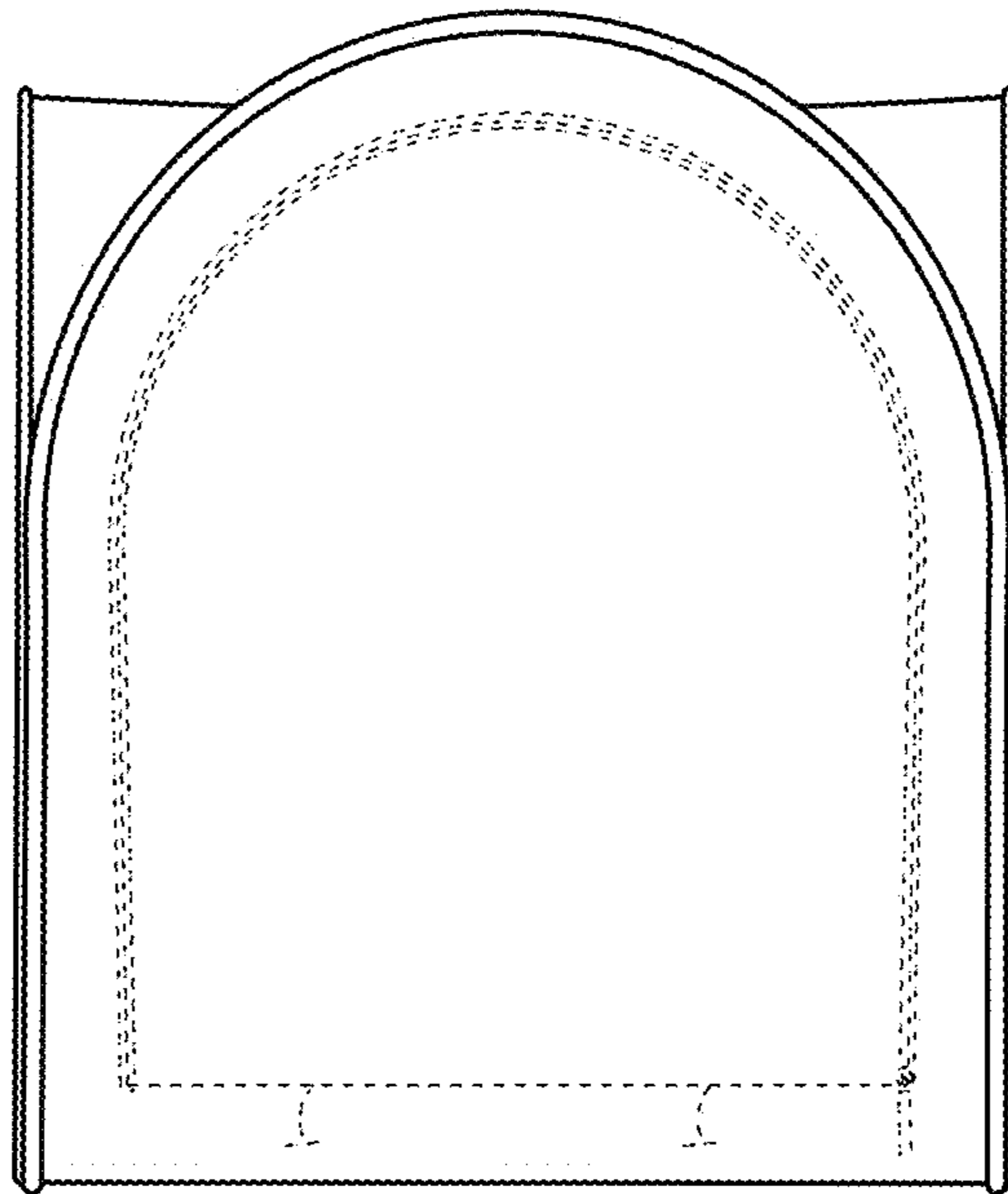


Fig. 13

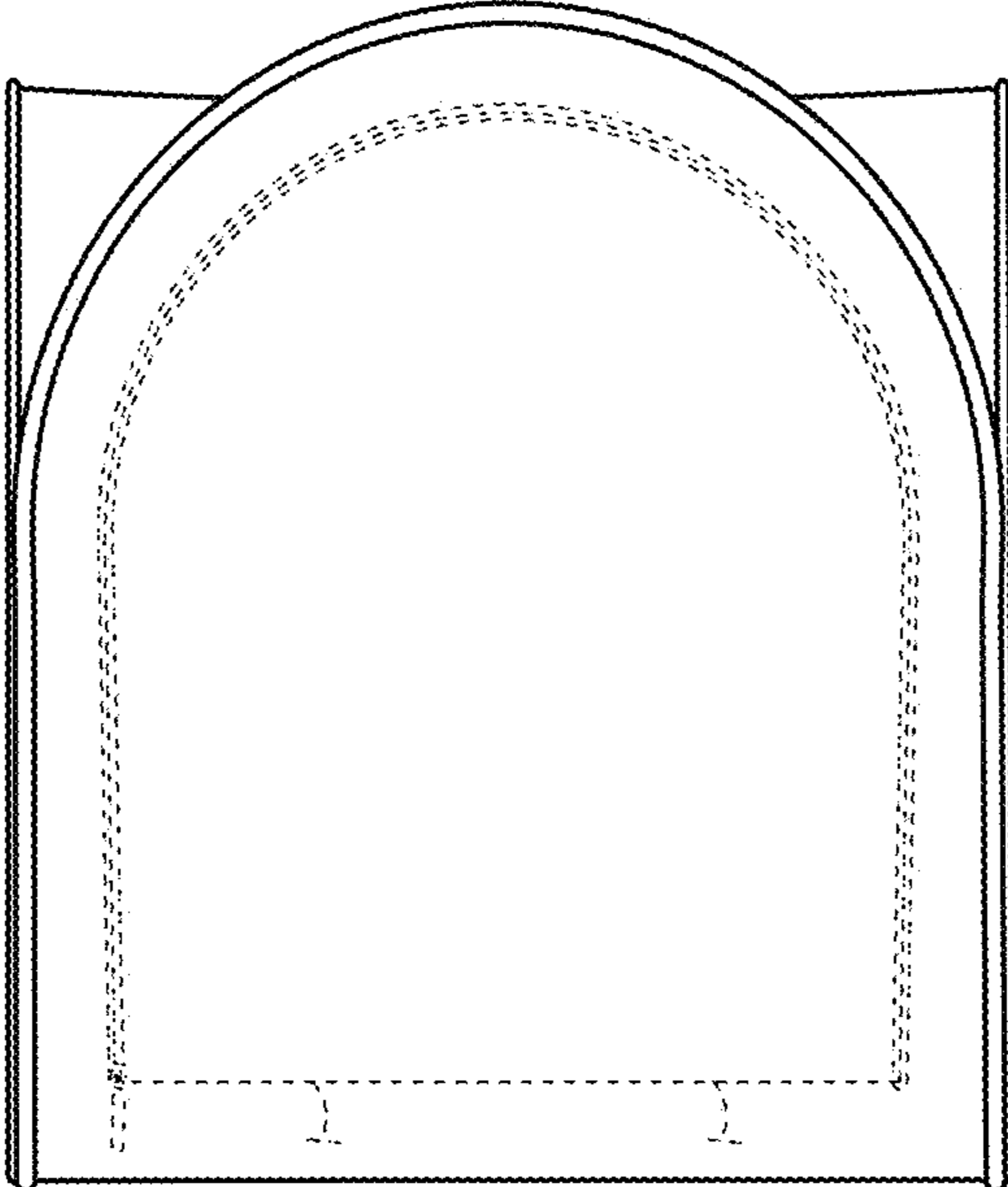


Fig. 14



Fig. 15

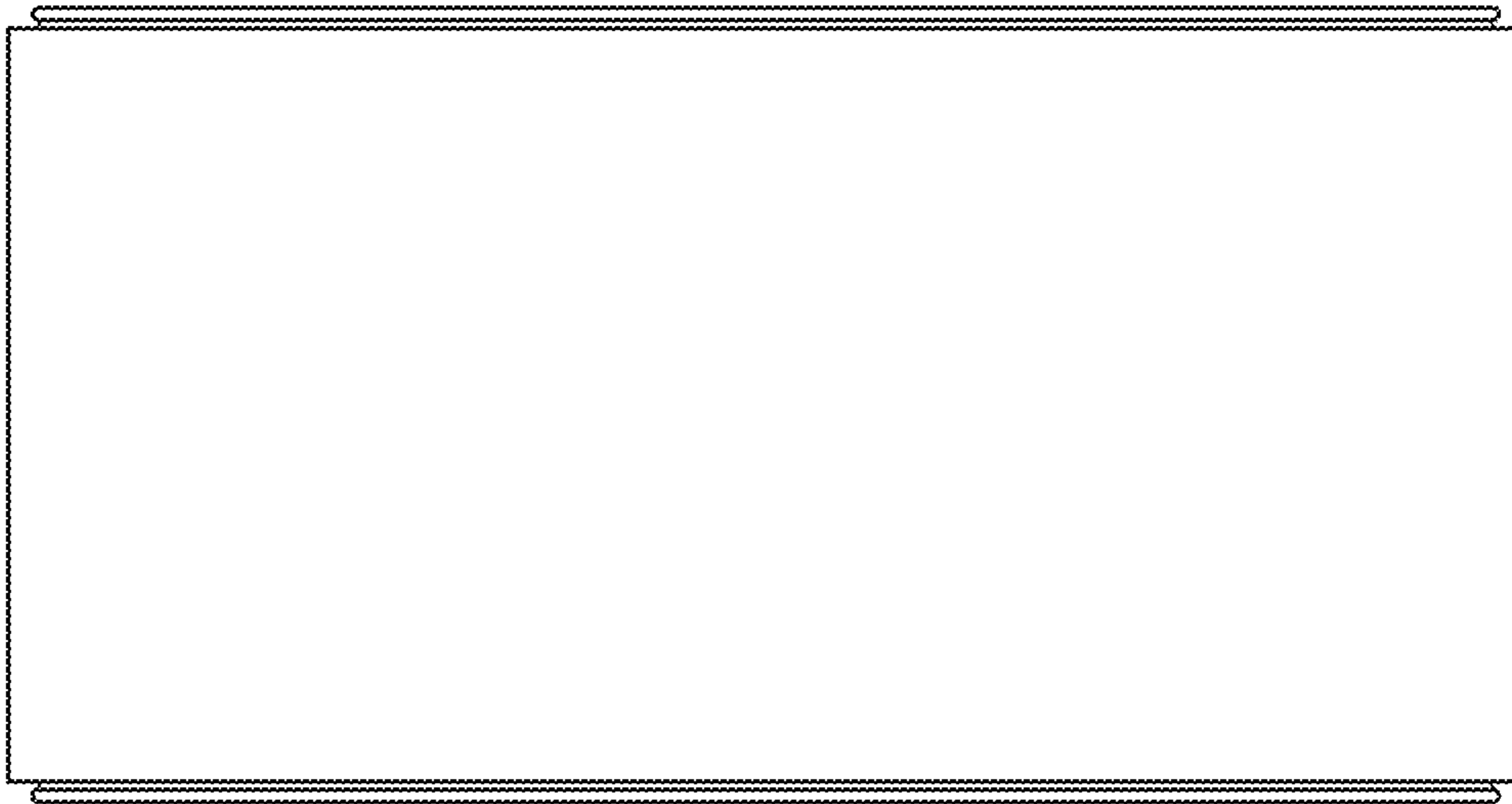


Fig. 16

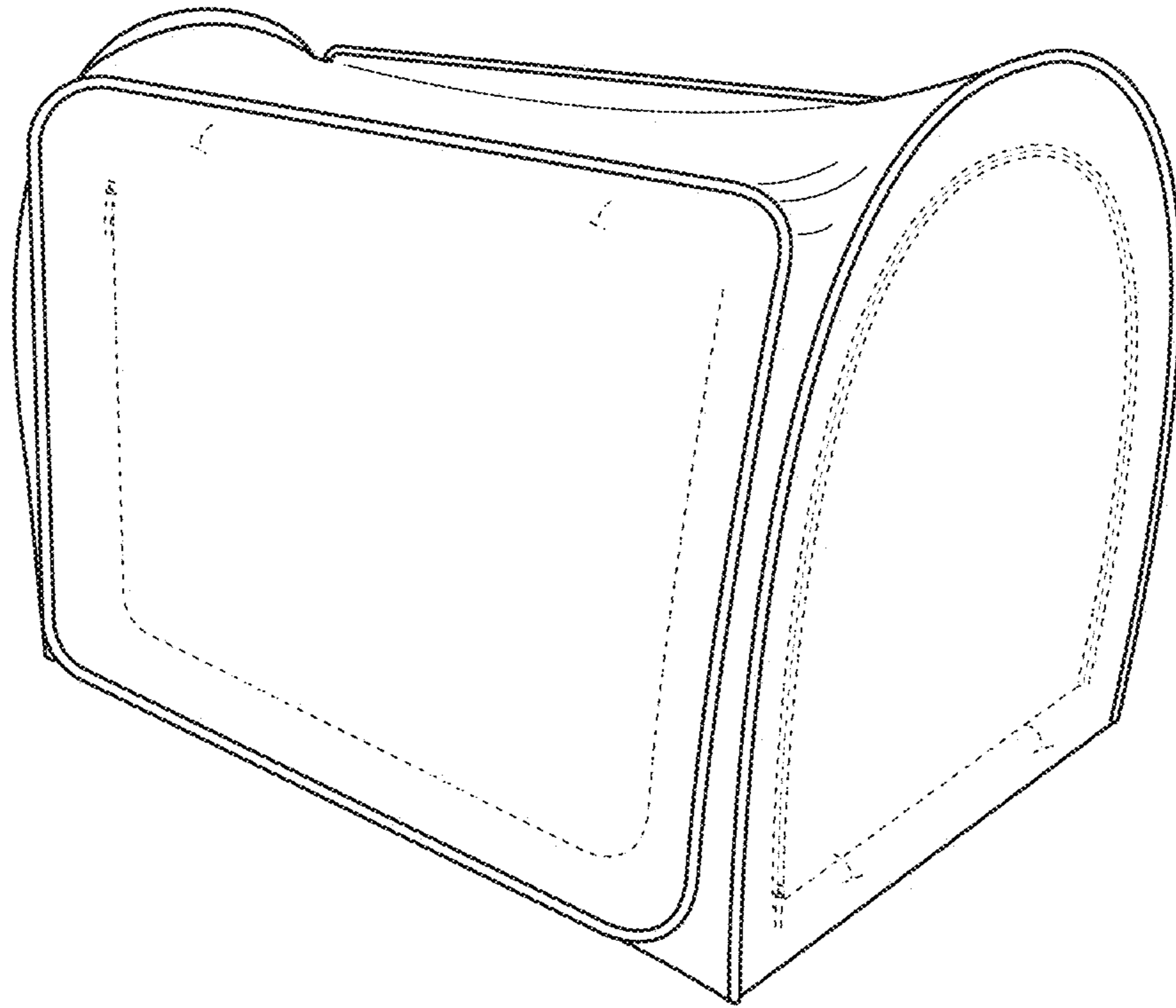


Fig. 17

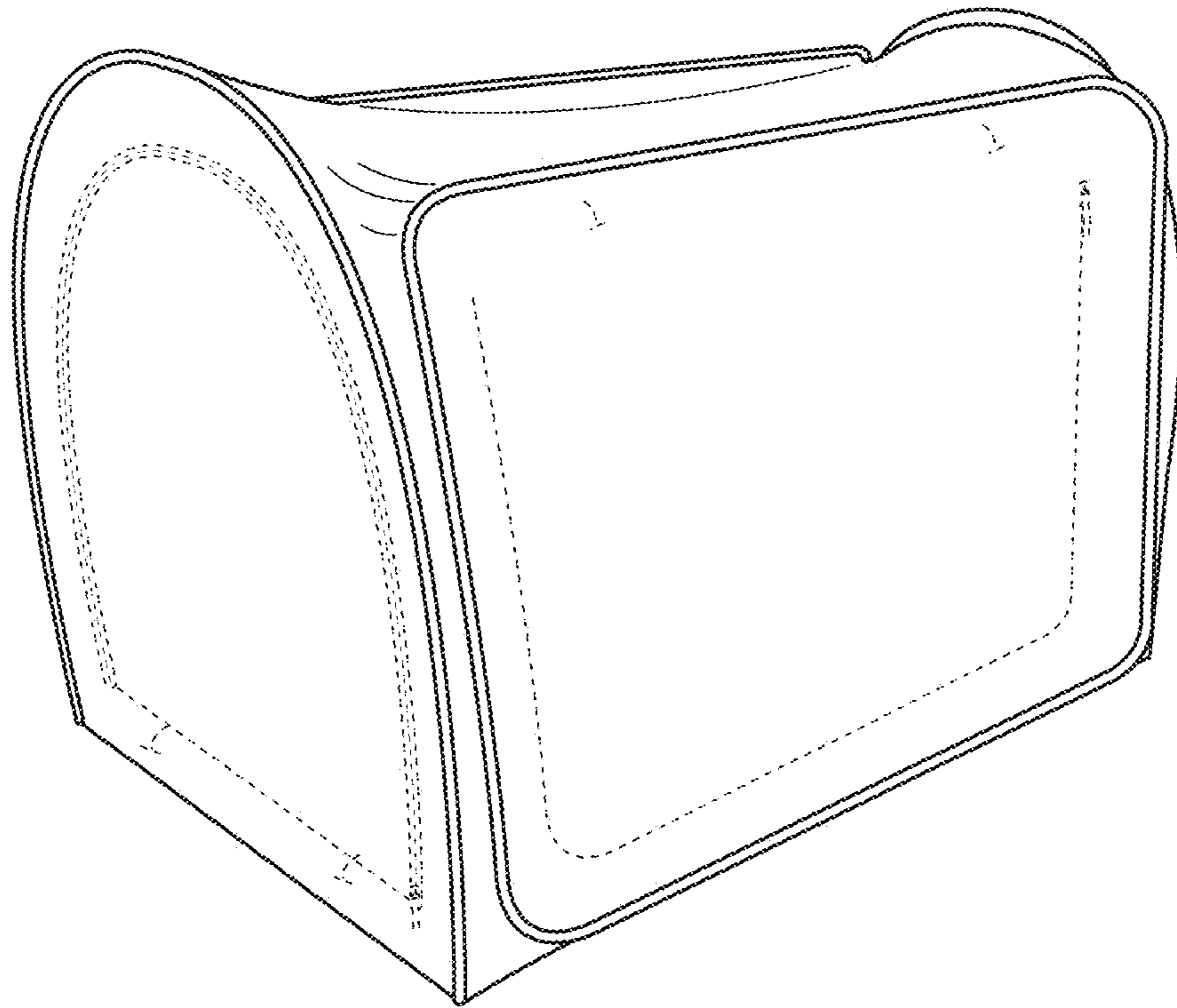


Fig. 18

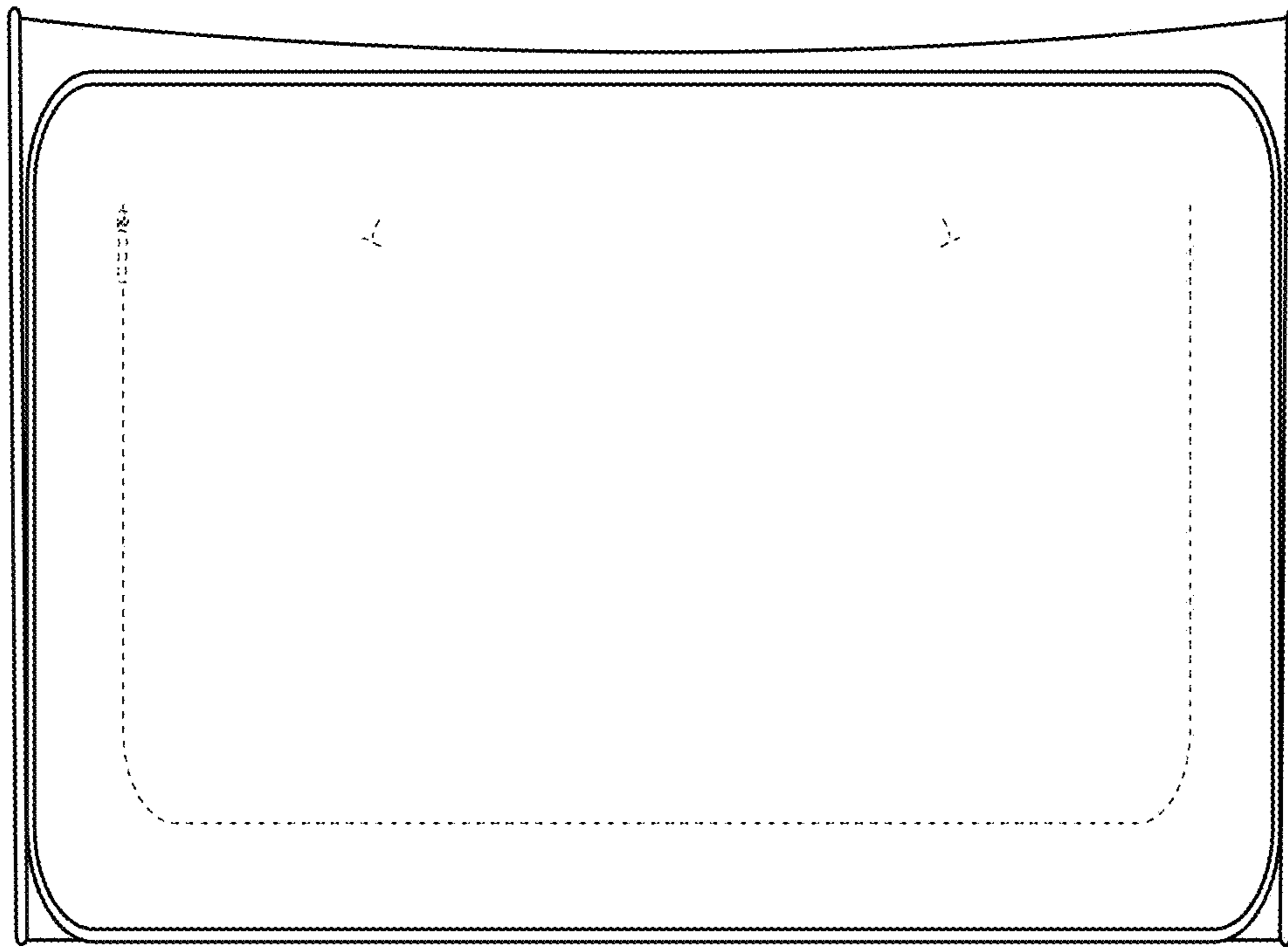


Fig. 19

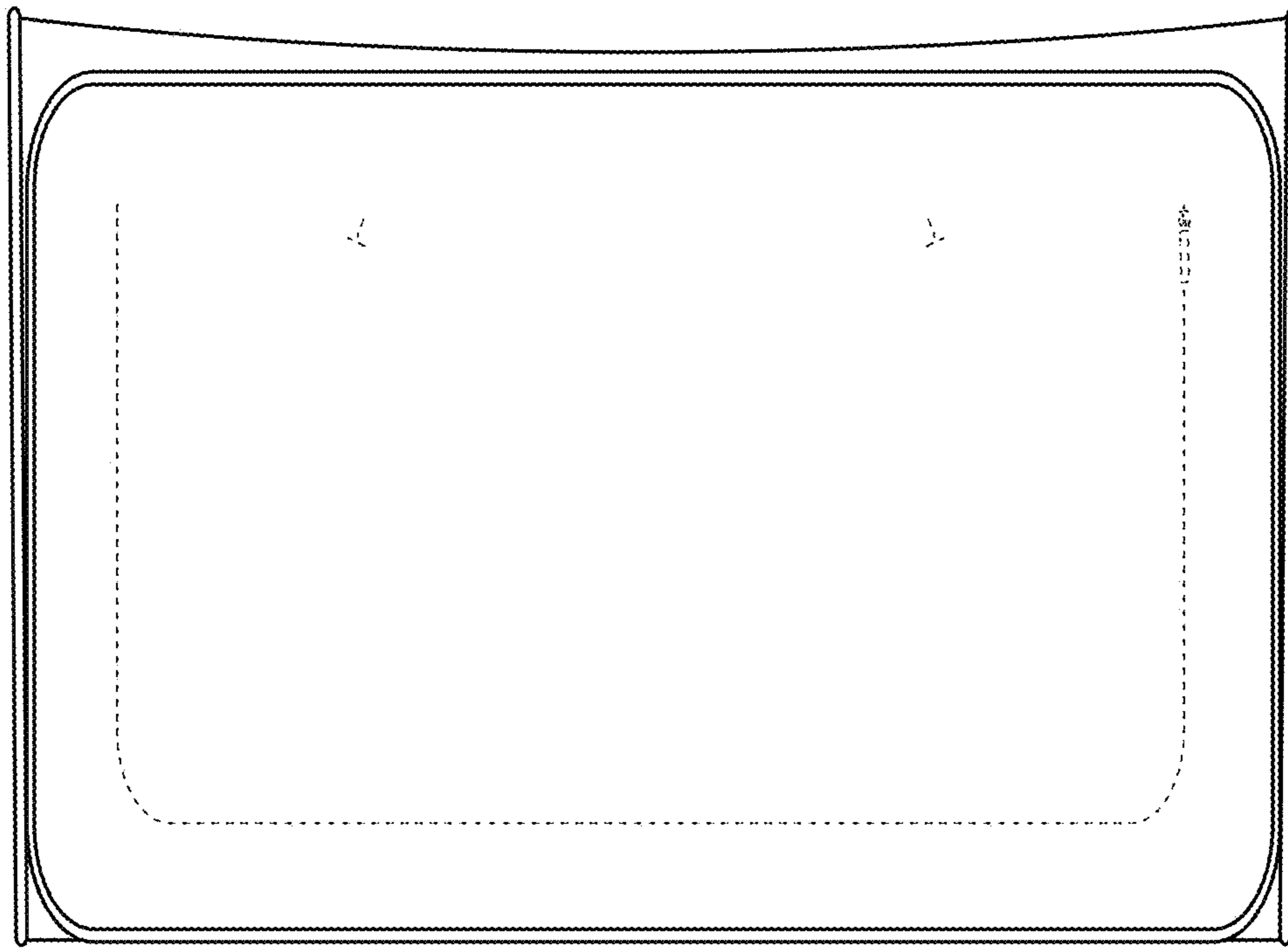


Fig. 20

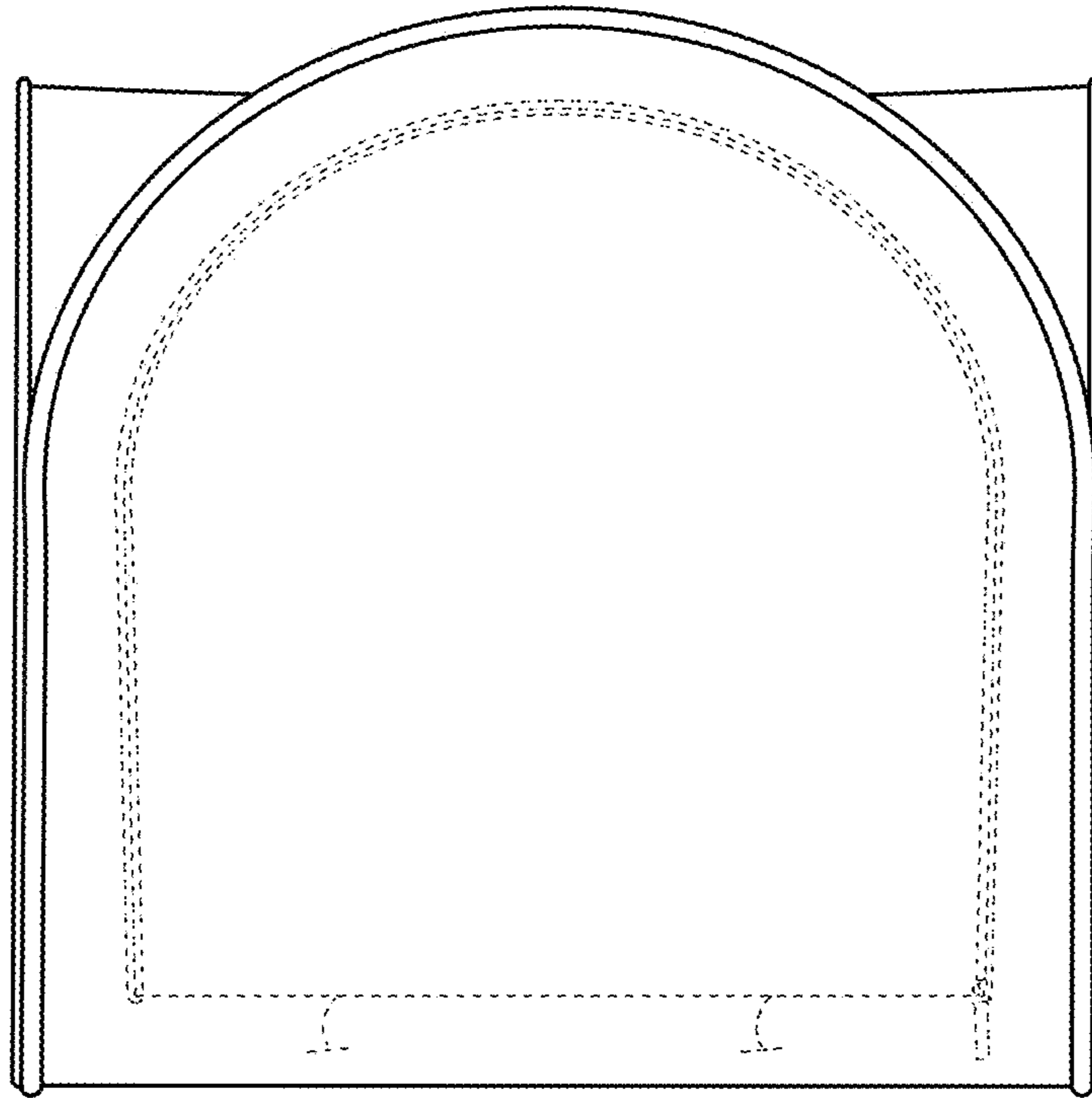


Fig. 21

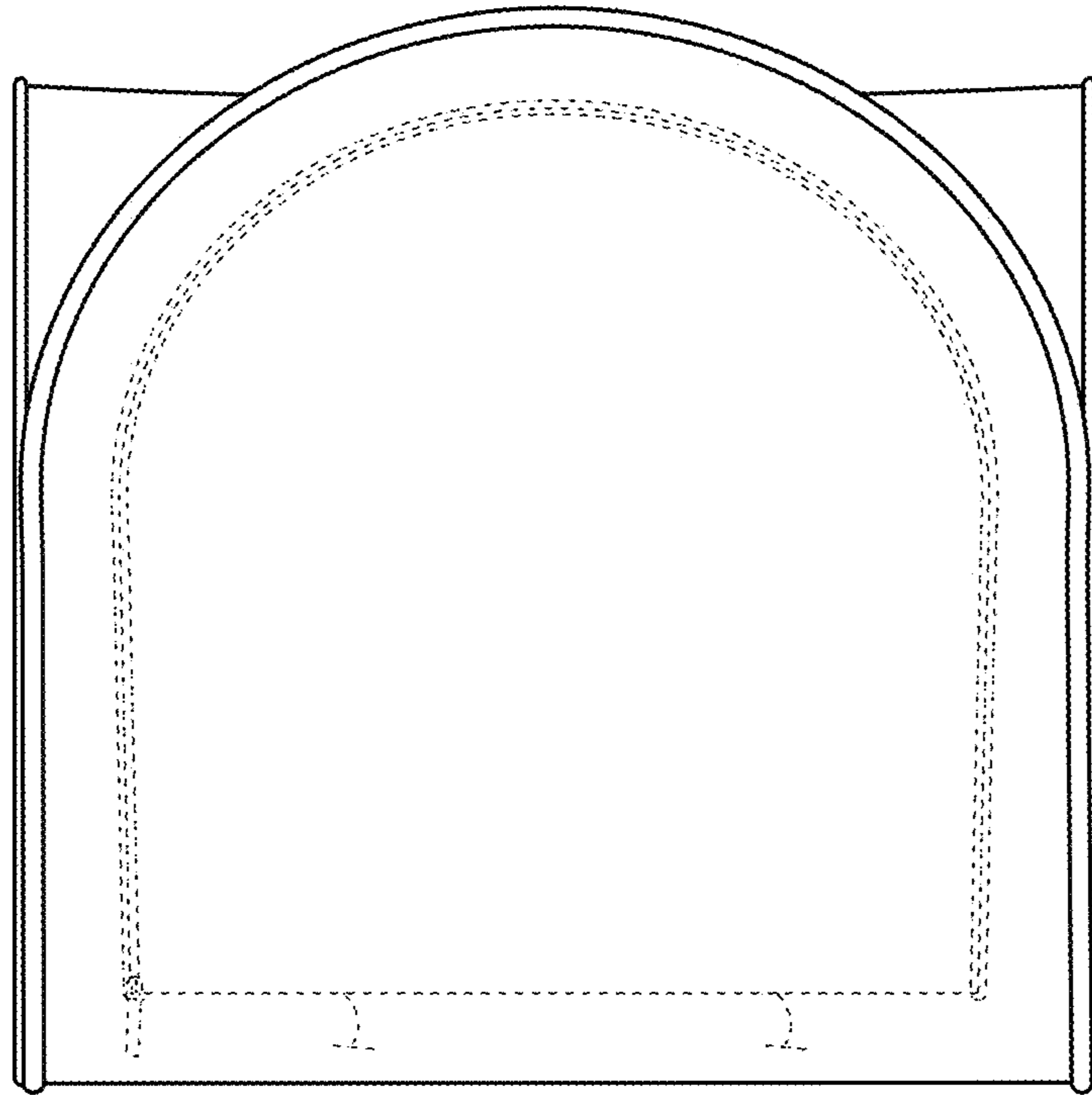


Fig. 22

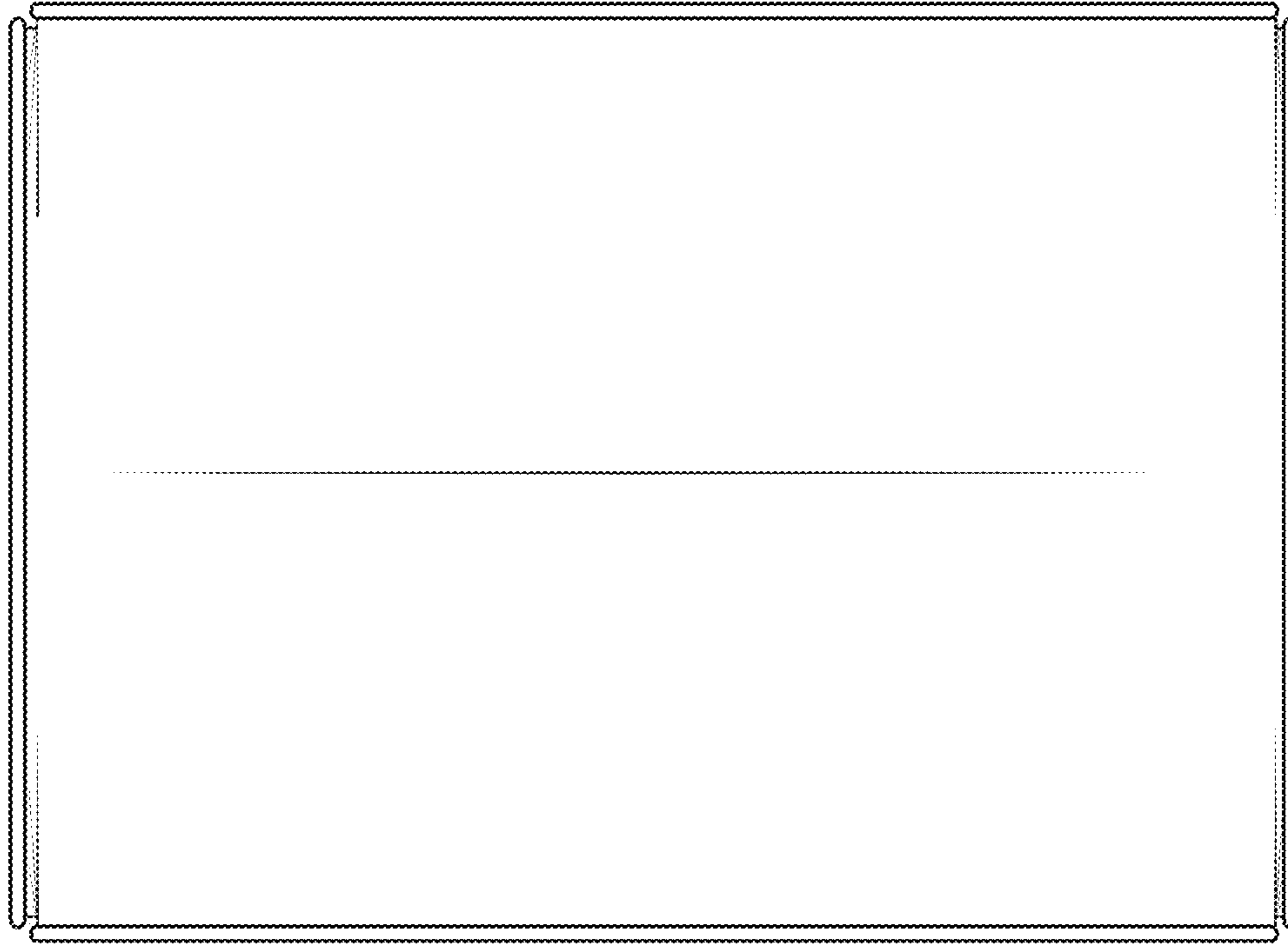


Fig. 23

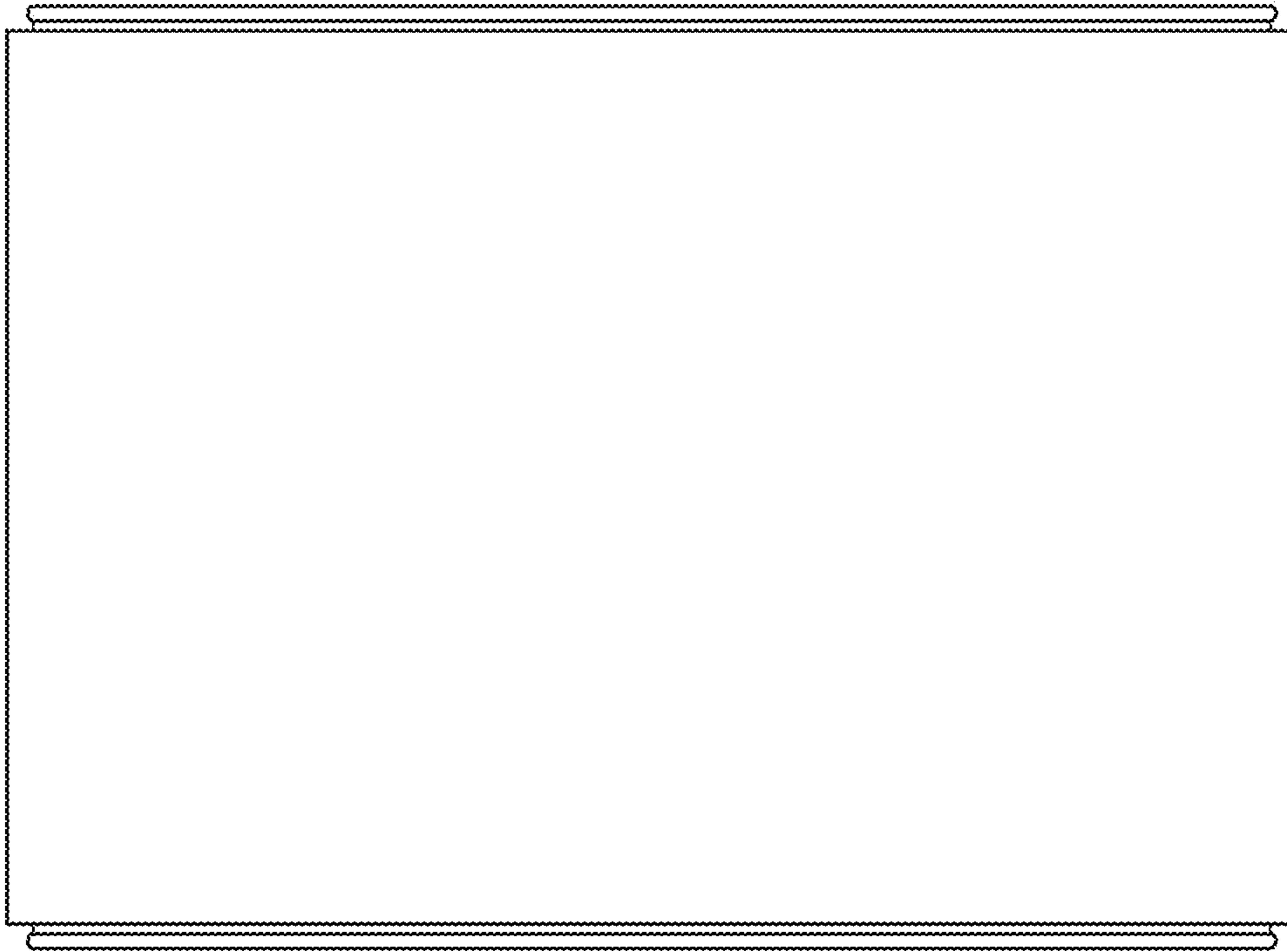


Fig. 24

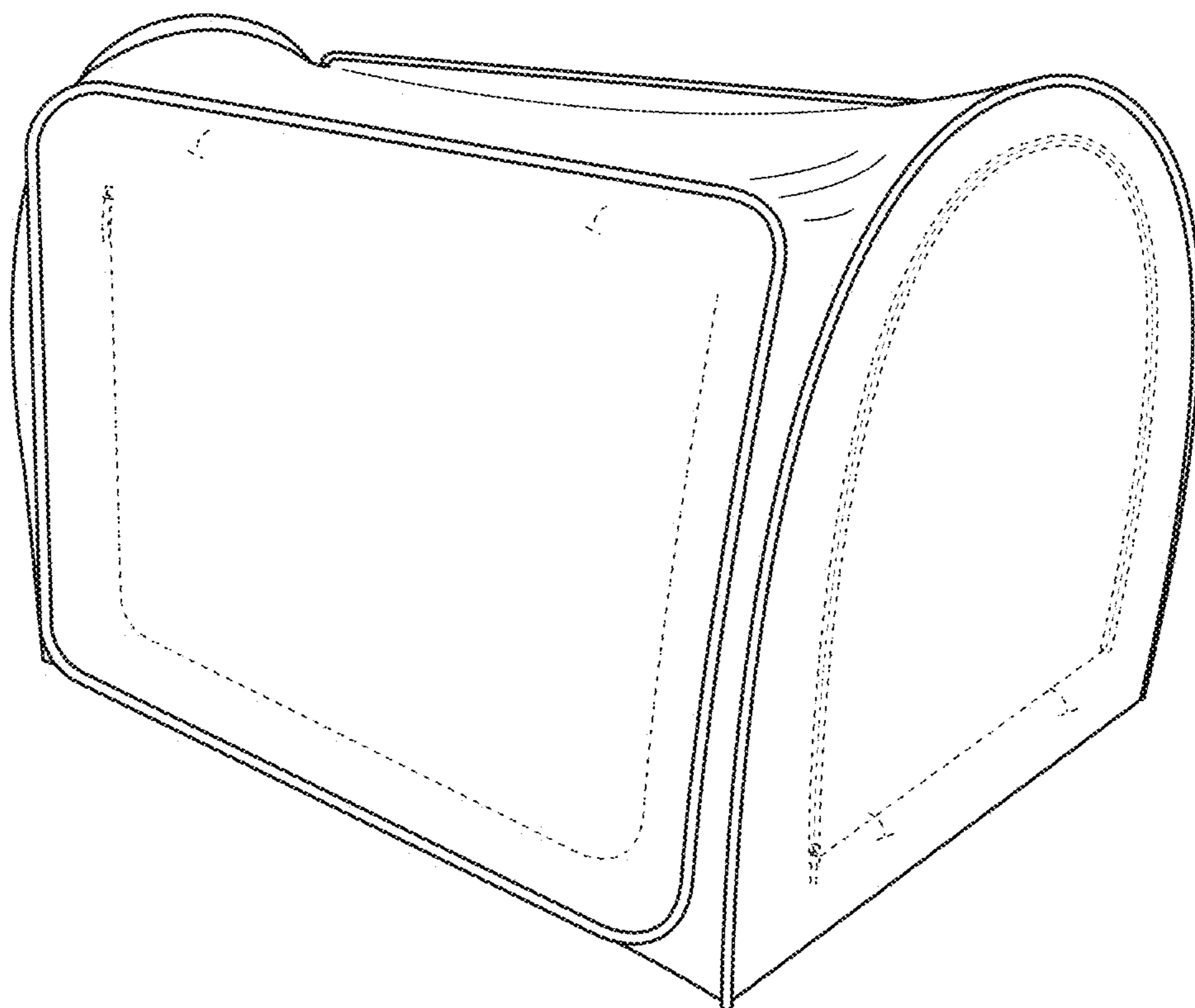


Fig. 25

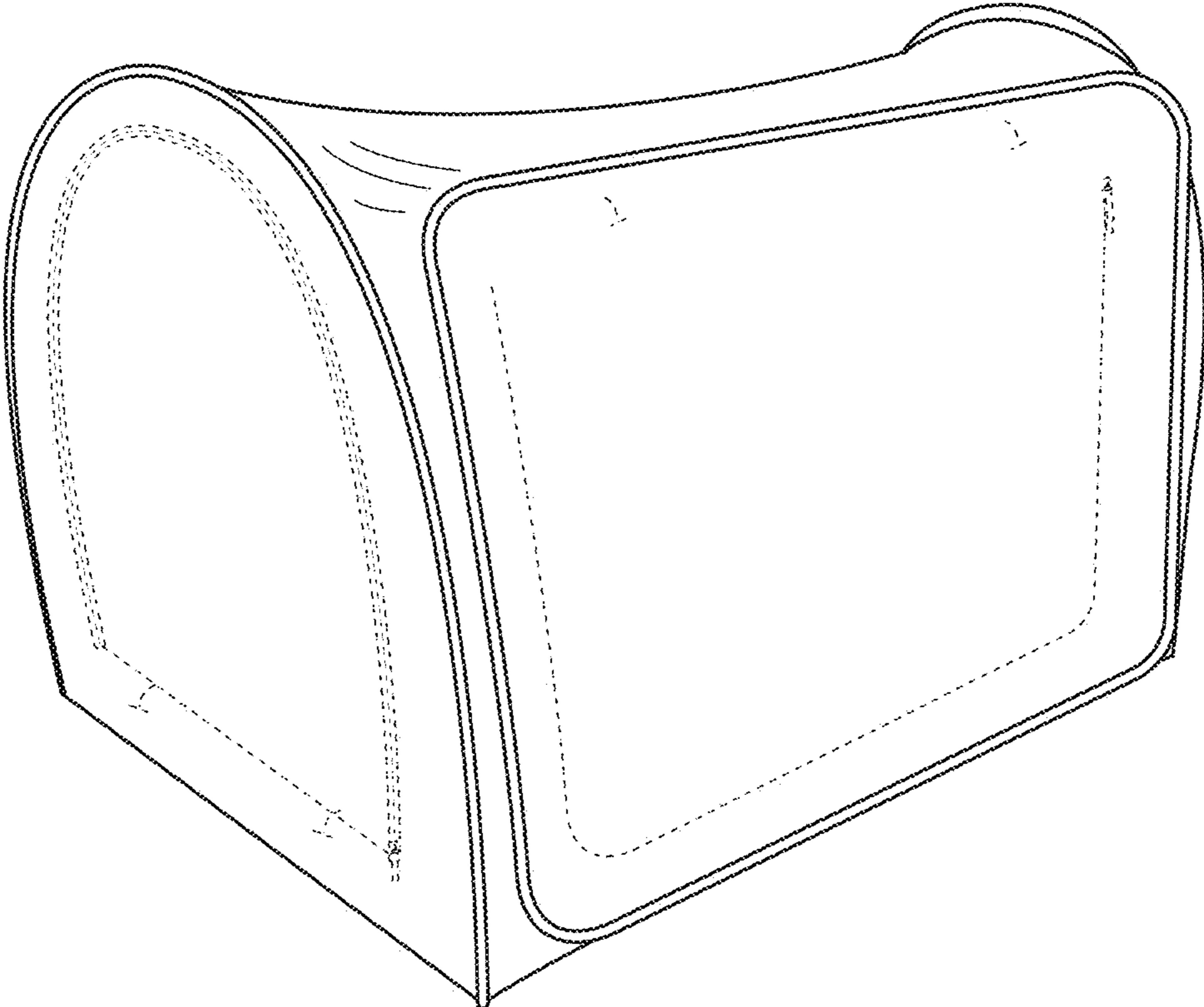


Fig. 26

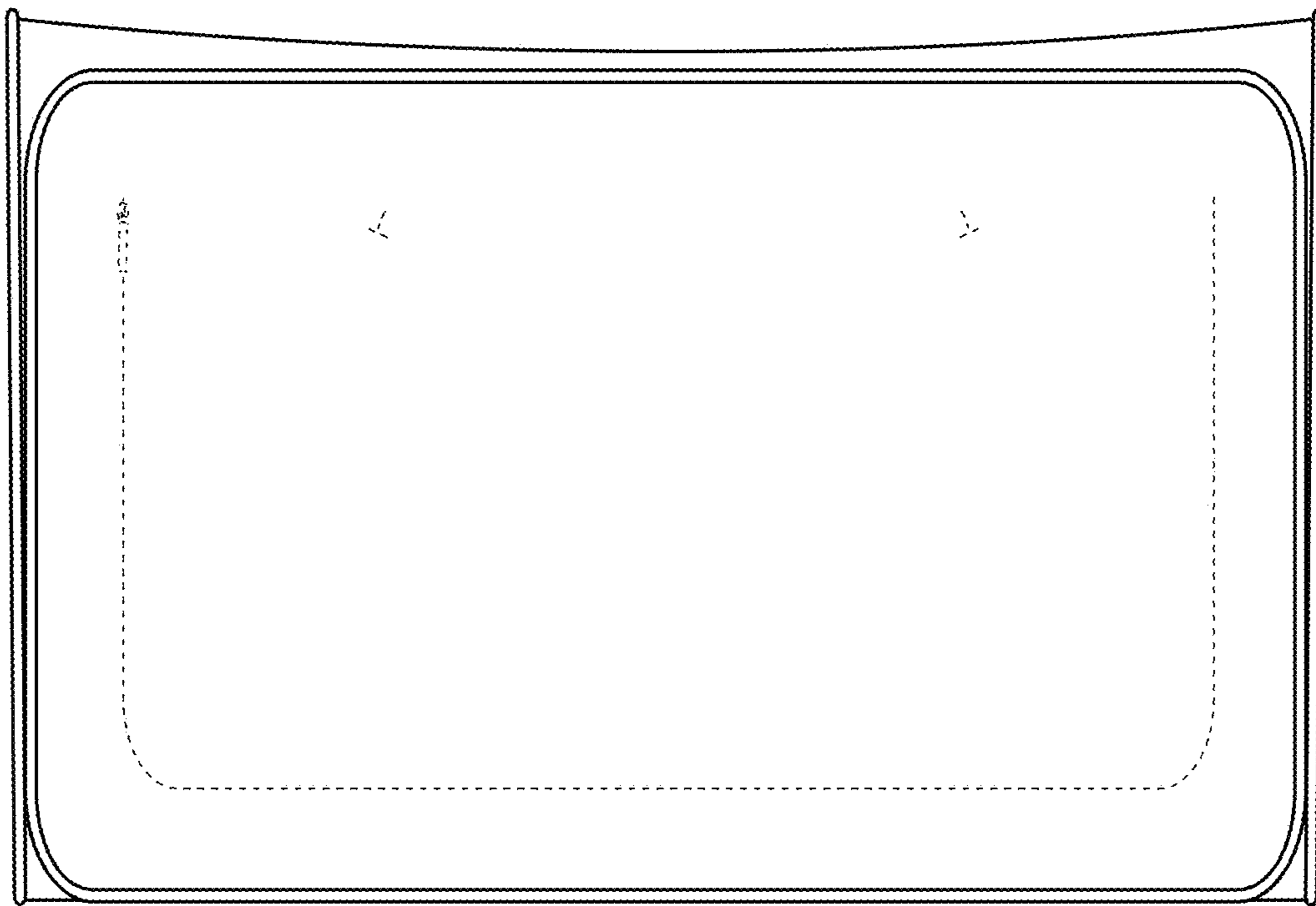


Fig. 27

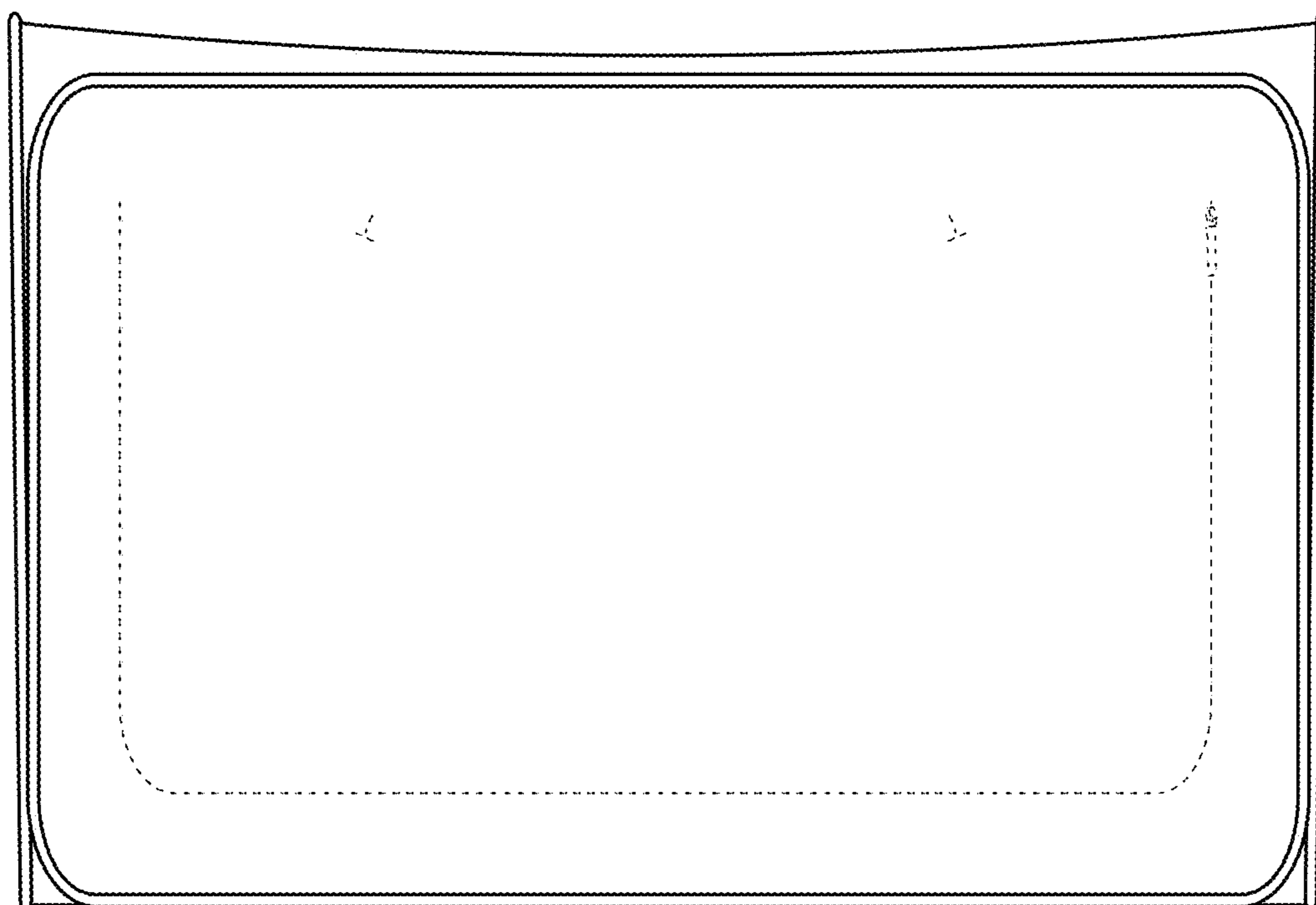


Fig. 28

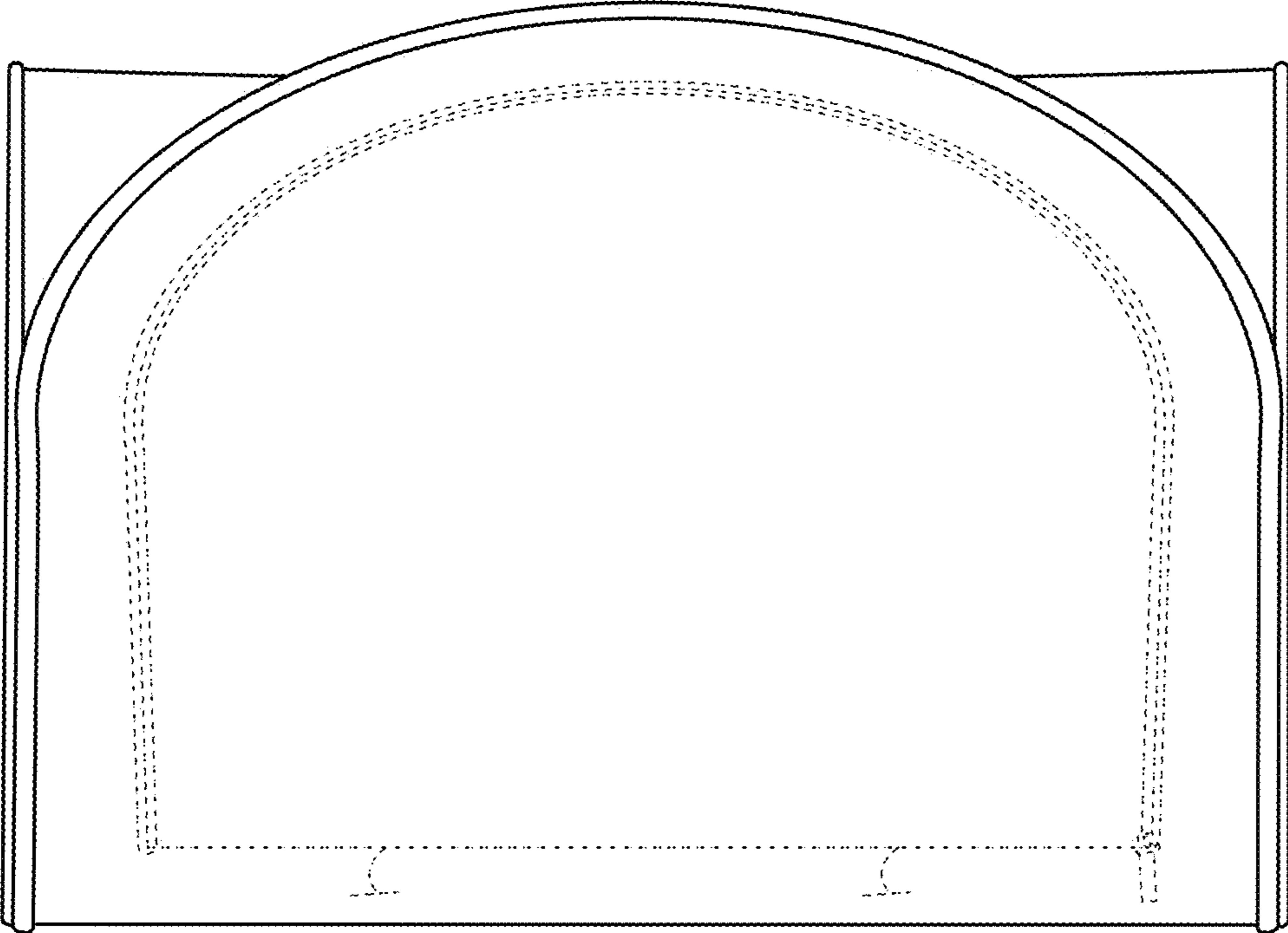


Fig. 29

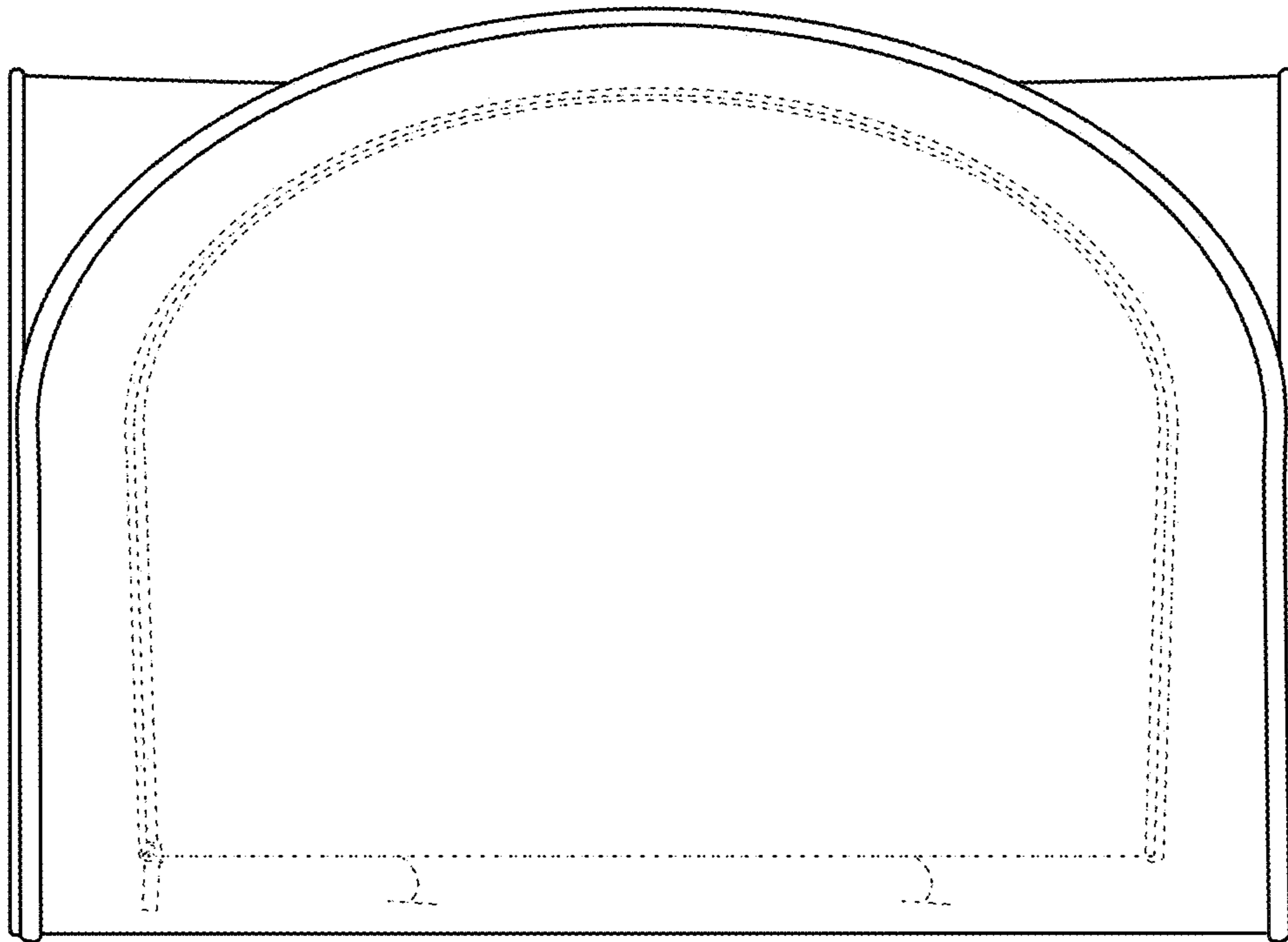


Fig. 30

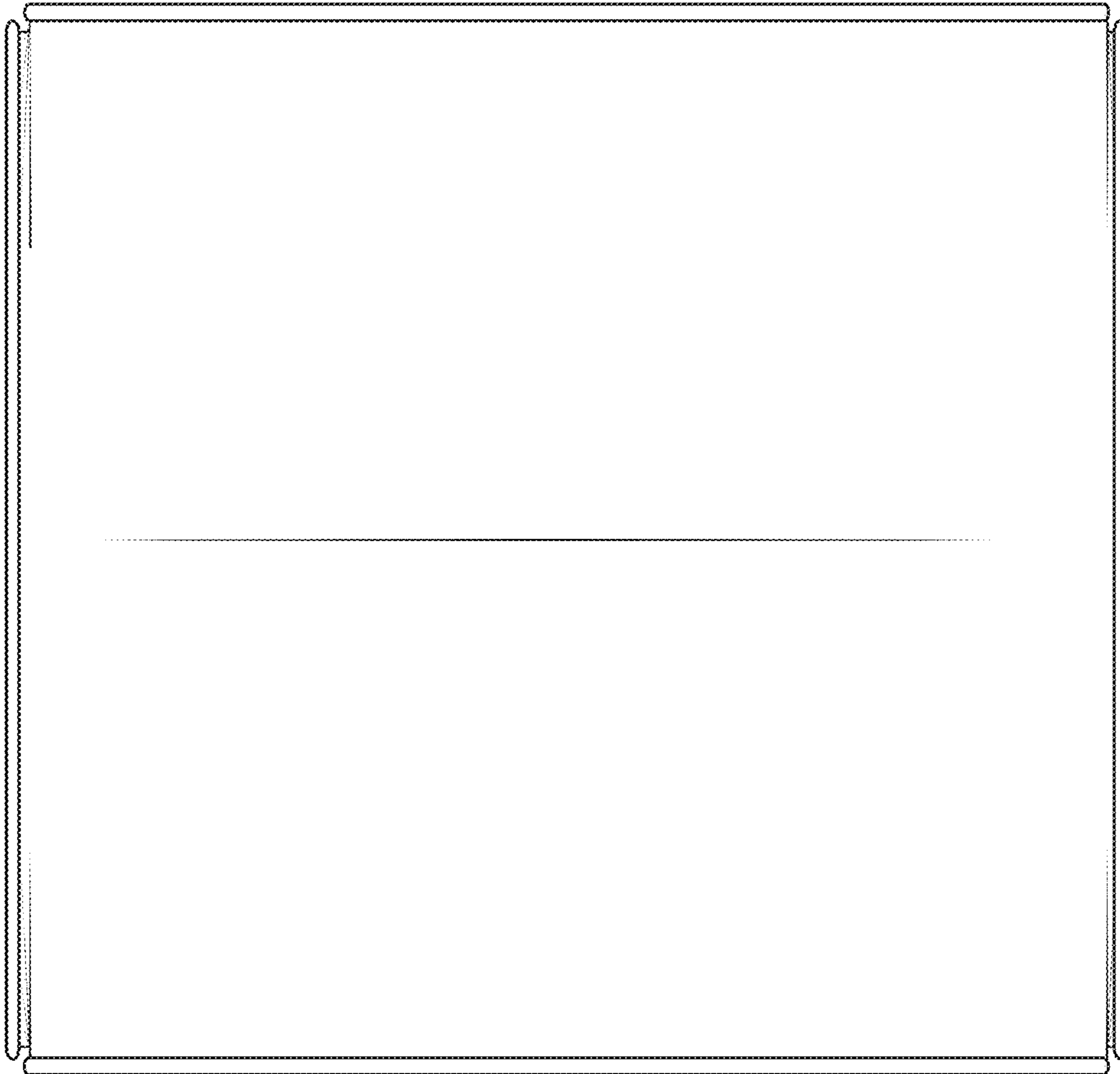


Fig. 31

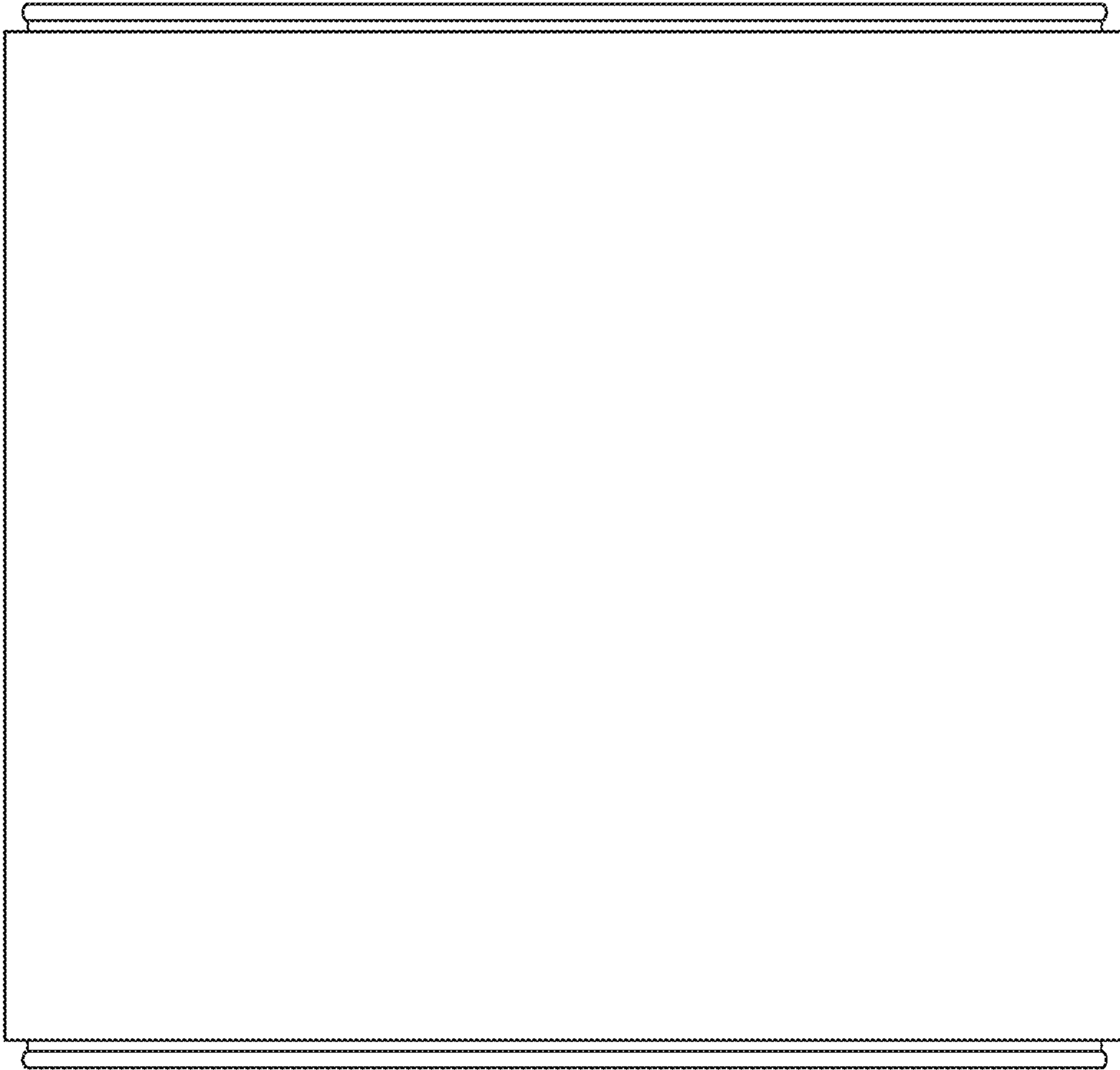


Fig. 32