



US00D933769S

(12) **United States Design Patent**
Cheng

(10) **Patent No.:** **US D933,769 S**

(45) **Date of Patent:** **** Oct. 19, 2021**

(54) **TENT**

(71) Applicant: **HUANGSHAN CITY
HUILINGYANG OUTDOOR
PRODUCTS CO., LTD.**, Huangshan
(CN)

(72) Inventor: **Zhengrui Cheng**, Huangshan (CN)

(73) Assignee: **HUANGSHAN CITY
HUILINGYANG OUTDOOR
PRODUCTS CO., LTD.**, Huangshan
(CN)

(**) Term: **15 Years**

(21) Appl. No.: **29/729,397**

(22) Filed: **Mar. 26, 2020**

(51) **LOC (13) Cl.** **21-04**

(52) **U.S. Cl.**
USPC **D21/834**

(58) **Field of Classification Search**
USPC D21/834, 837, 838
CPC E04H 15/00; E04H 15/003; E04H 15/40;
E04H 15/405; E04H 15/44; E04H 15/42;
E04H 15/425

See application file for complete search history.

(56) **References Cited**

U.S. PATENT DOCUMENTS

D687,116 S *	7/2013	Jin	D21/834
D695,376 S *	12/2013	Jin	D21/834
D696,373 S *	12/2013	Jin	D21/834
D702,791 S *	4/2014	Jin	D21/834
D872,209 S *	1/2020	Zhu	D21/837
D910,138 S *	2/2021	Chen	D21/837

D910,795 S *	2/2021	Zhu	D21/834
2007/0044827 A1 *	3/2007	Yul	E04H 15/14 135/93
2014/0076372 A1 *	3/2014	Jin	E04H 15/46 135/139
2014/0202512 A1 *	7/2014	Jin	E04H 15/46 135/140
2014/0261600 A1 *	9/2014	Lamke	E04H 15/36 135/121
2017/0022732 A1 *	1/2017	Jin	E04H 15/36
2018/0220751 A1 *	8/2018	Jin	E04H 15/32

* cited by examiner

Primary Examiner — Cynthia M. Chin

(74) *Attorney, Agent, or Firm* — Law Offices of Steven
W. Weinrieb

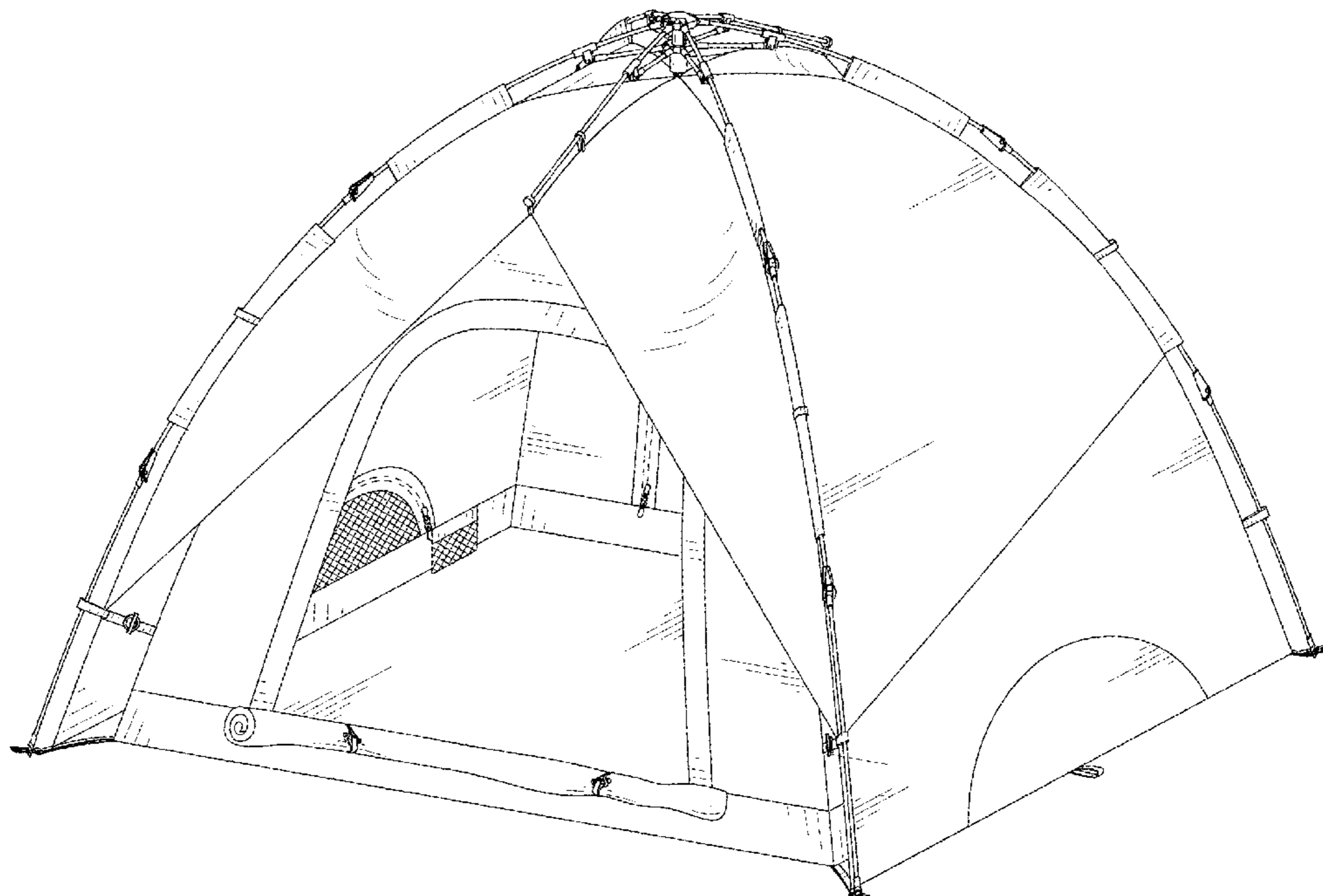
(57) **CLAIM**

The ornamental design for a tent, as shown and described.

DESCRIPTION

FIG. 1 is a front, right side, top perspective view of a tent showing my new design;
 FIG. 2 is a rear, right side, bottom perspective view thereof;
 FIG. 3 is a front elevational view thereof;
 FIG. 4 is a rear elevational view thereof;
 FIG. 5 is a left side elevational view thereof;
 FIG. 6 is a right side elevational view thereof;
 FIG. 7 is a top plan view thereof;
 FIG. 8 is a bottom plan view thereof; and,
 FIG. 9 is a front, right side, top perspective view showing the front flap of the tent in its rolled down position so as to permit ingress into or egress out from the tent.
 The broken lines are for the purpose of illustrating portions of the article that form no part of the claim.

1 Claim, 9 Drawing Sheets



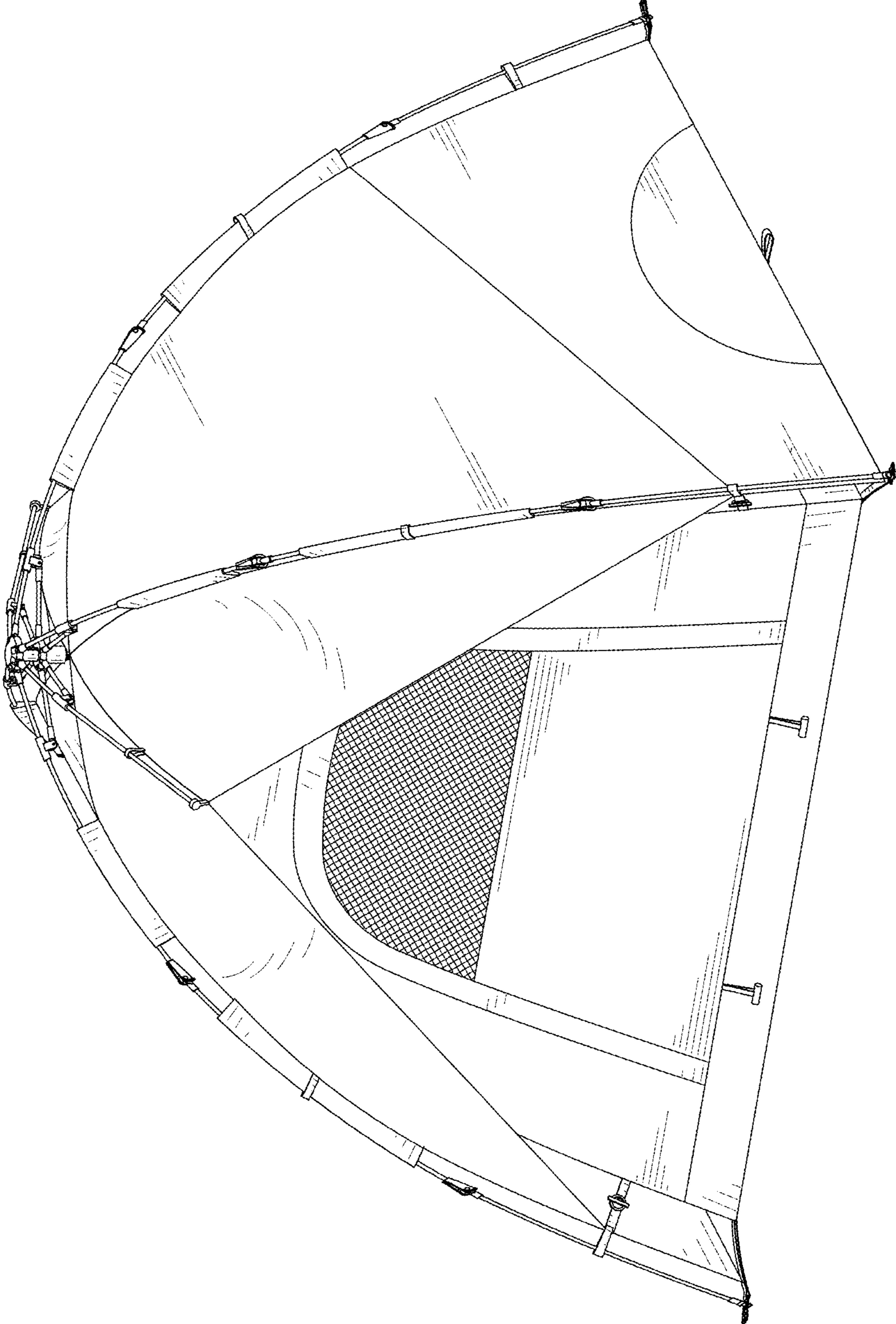


FIG. 1

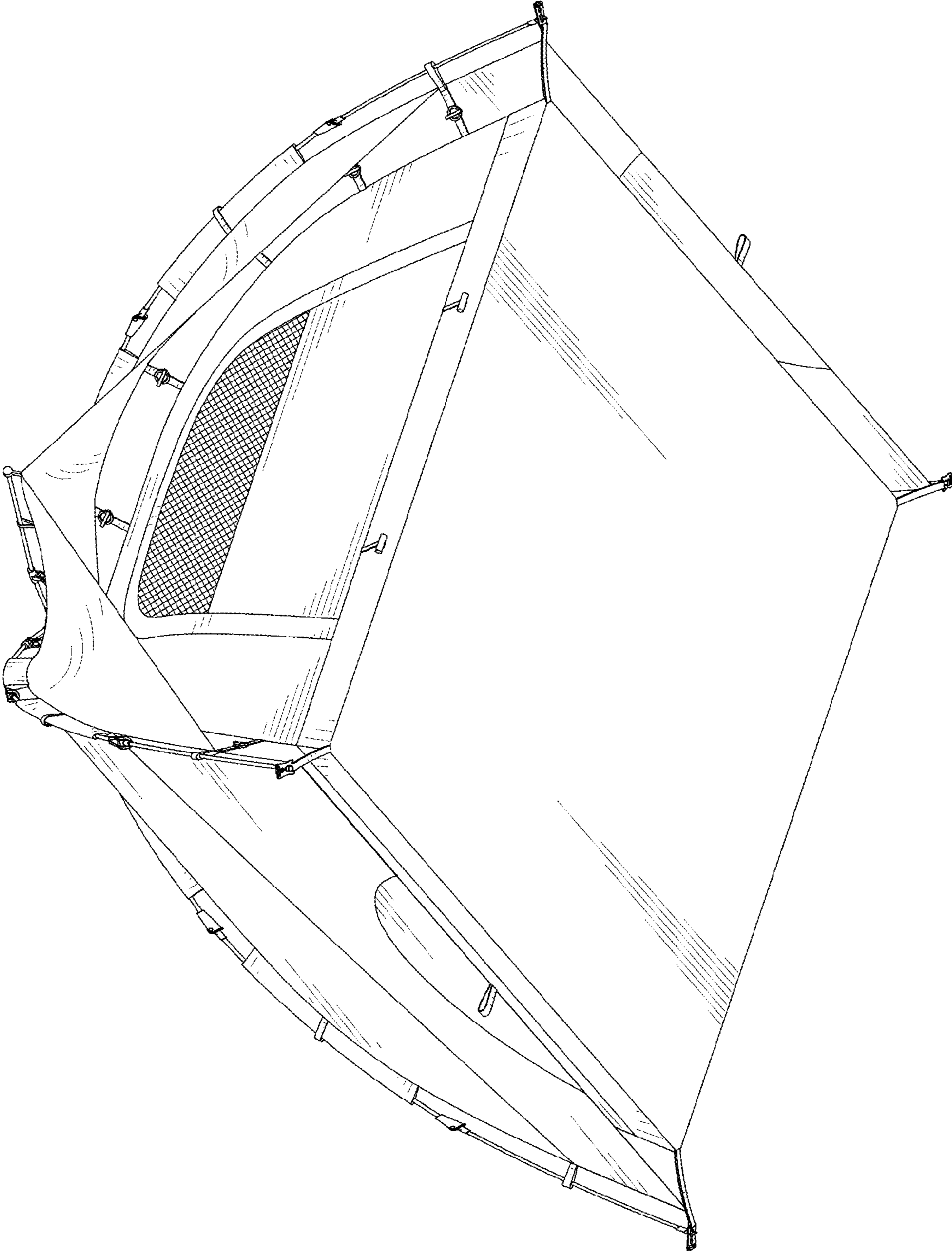


FIG. 2

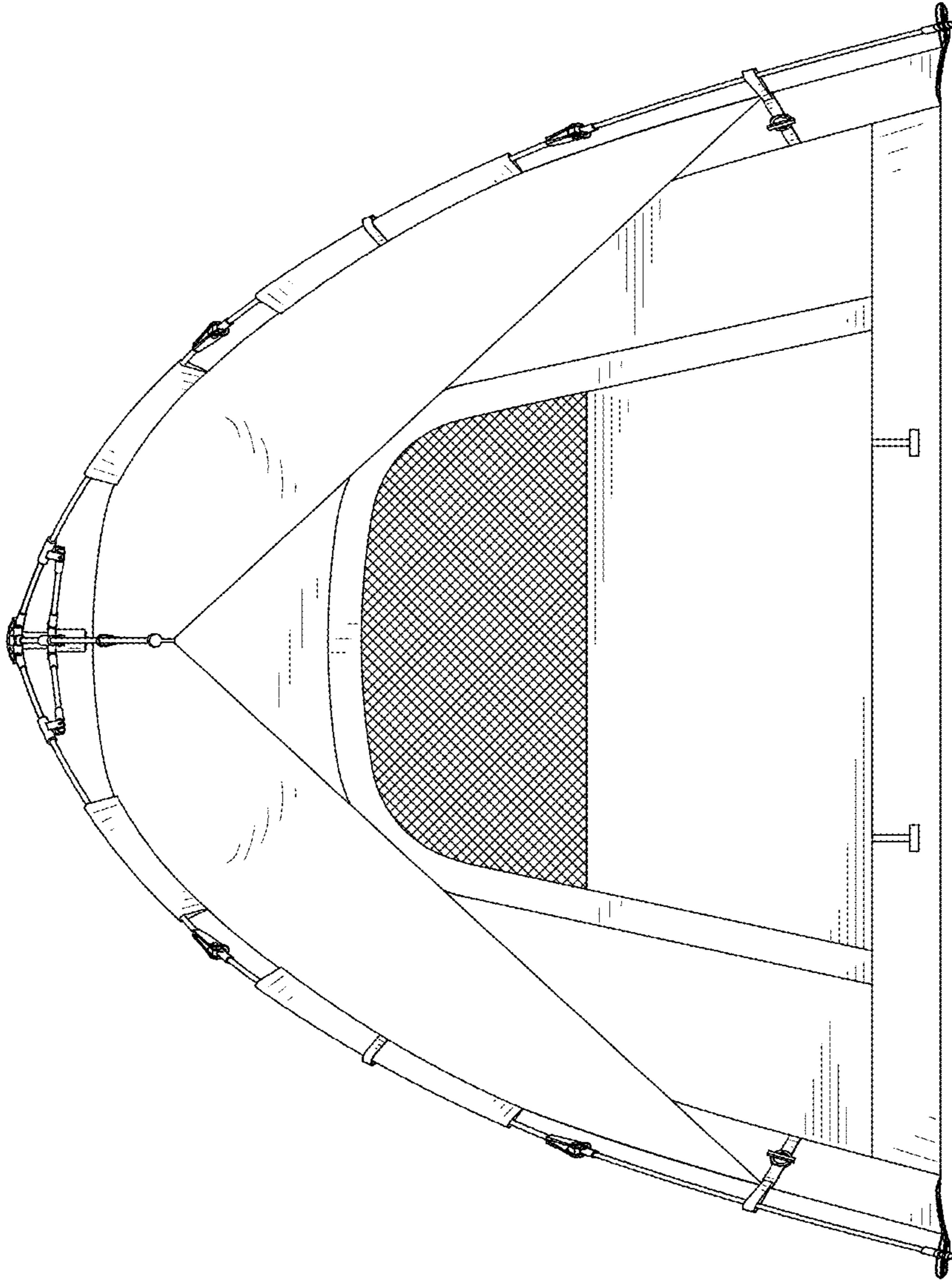


FIG. 3

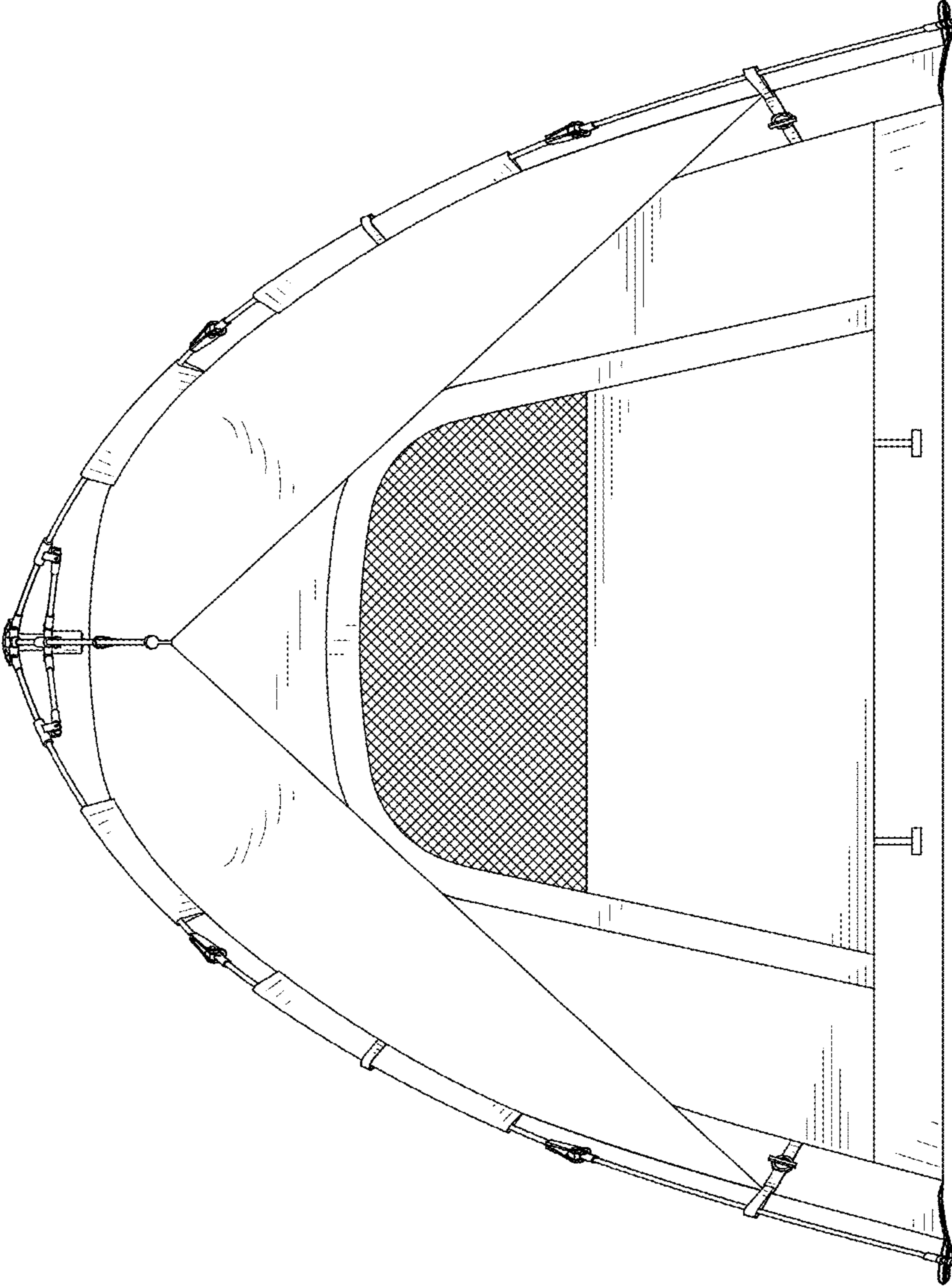


FIG. 4

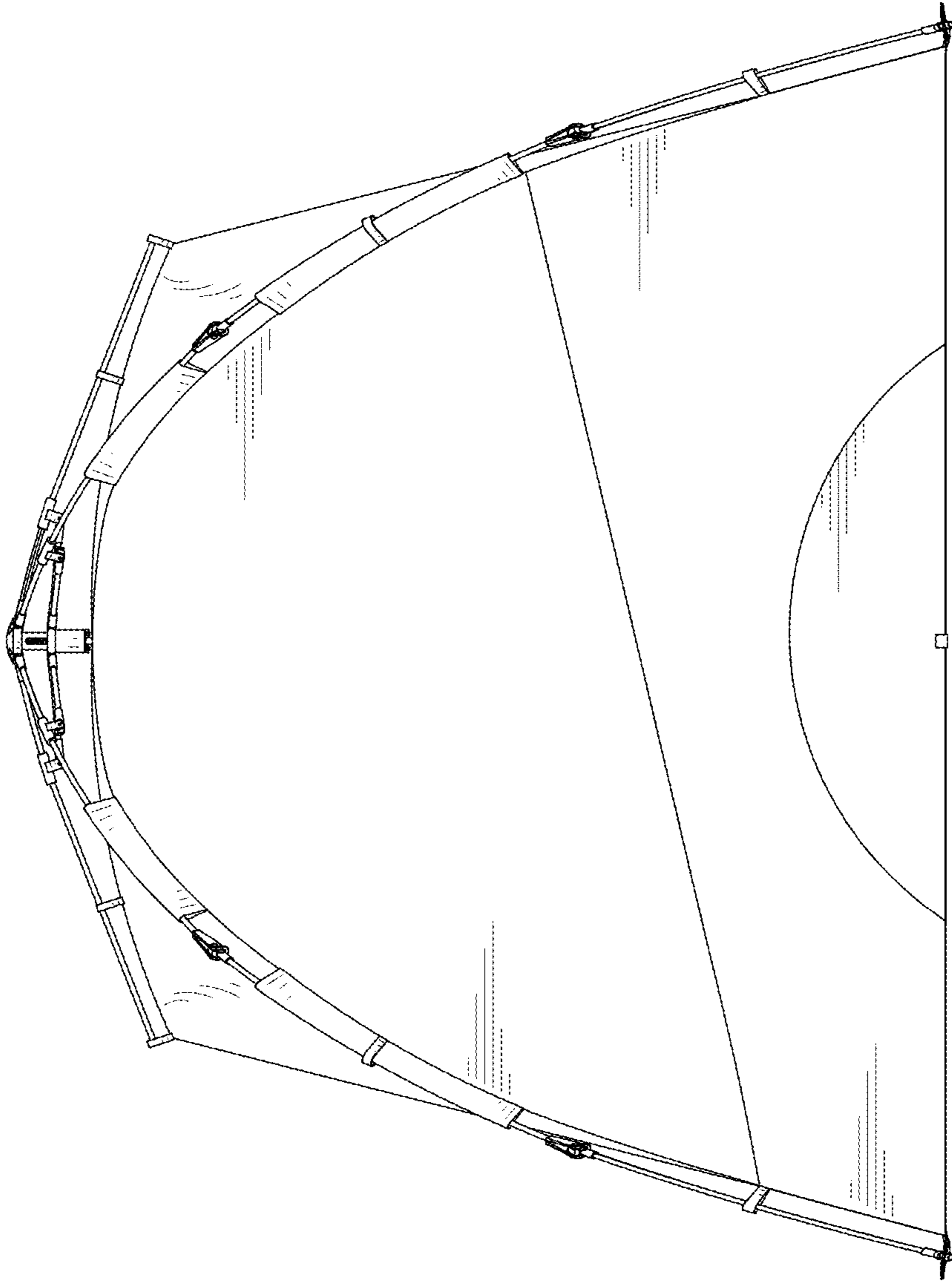


FIG. 5

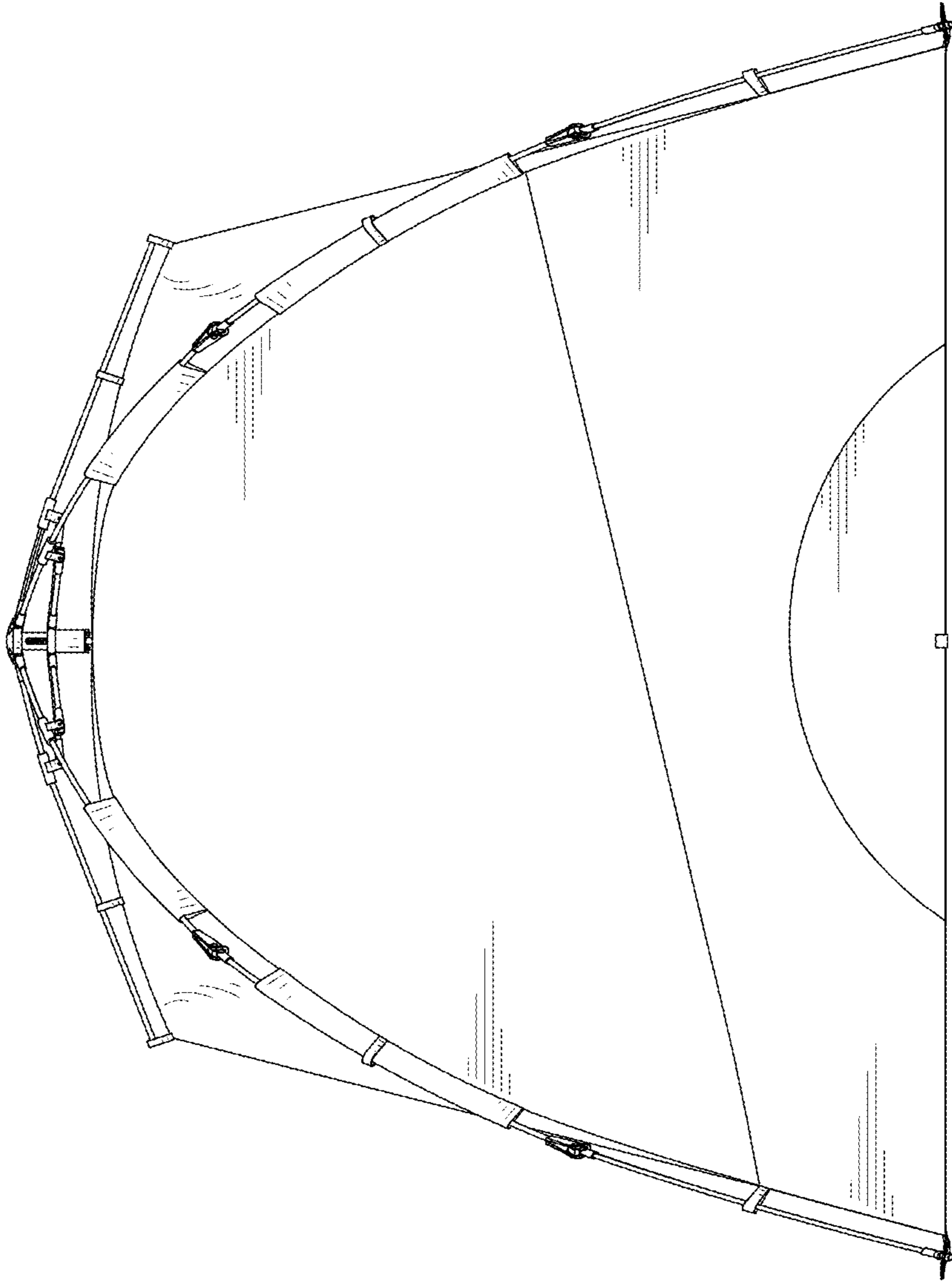


FIG. 6

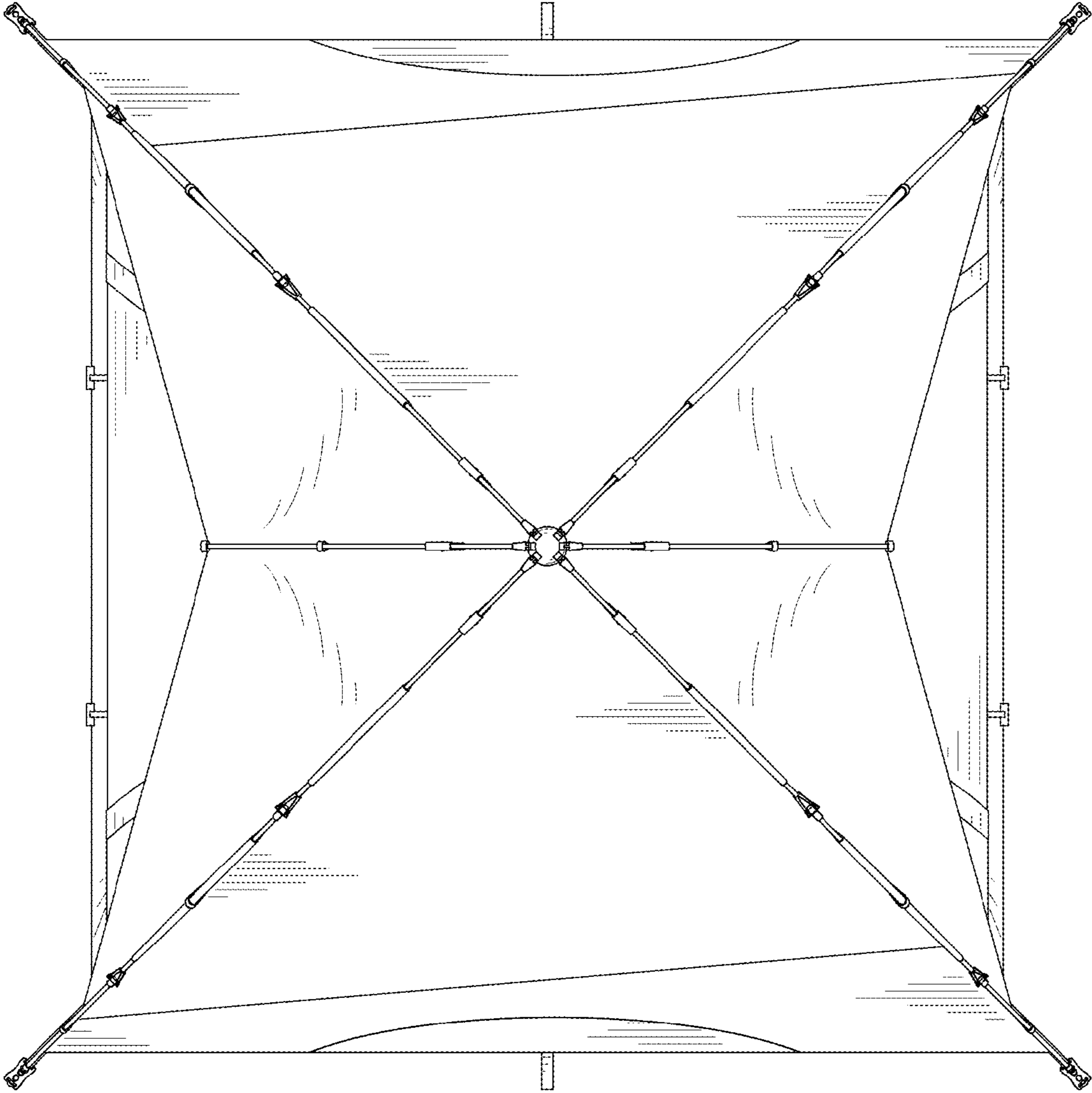


FIG. 7

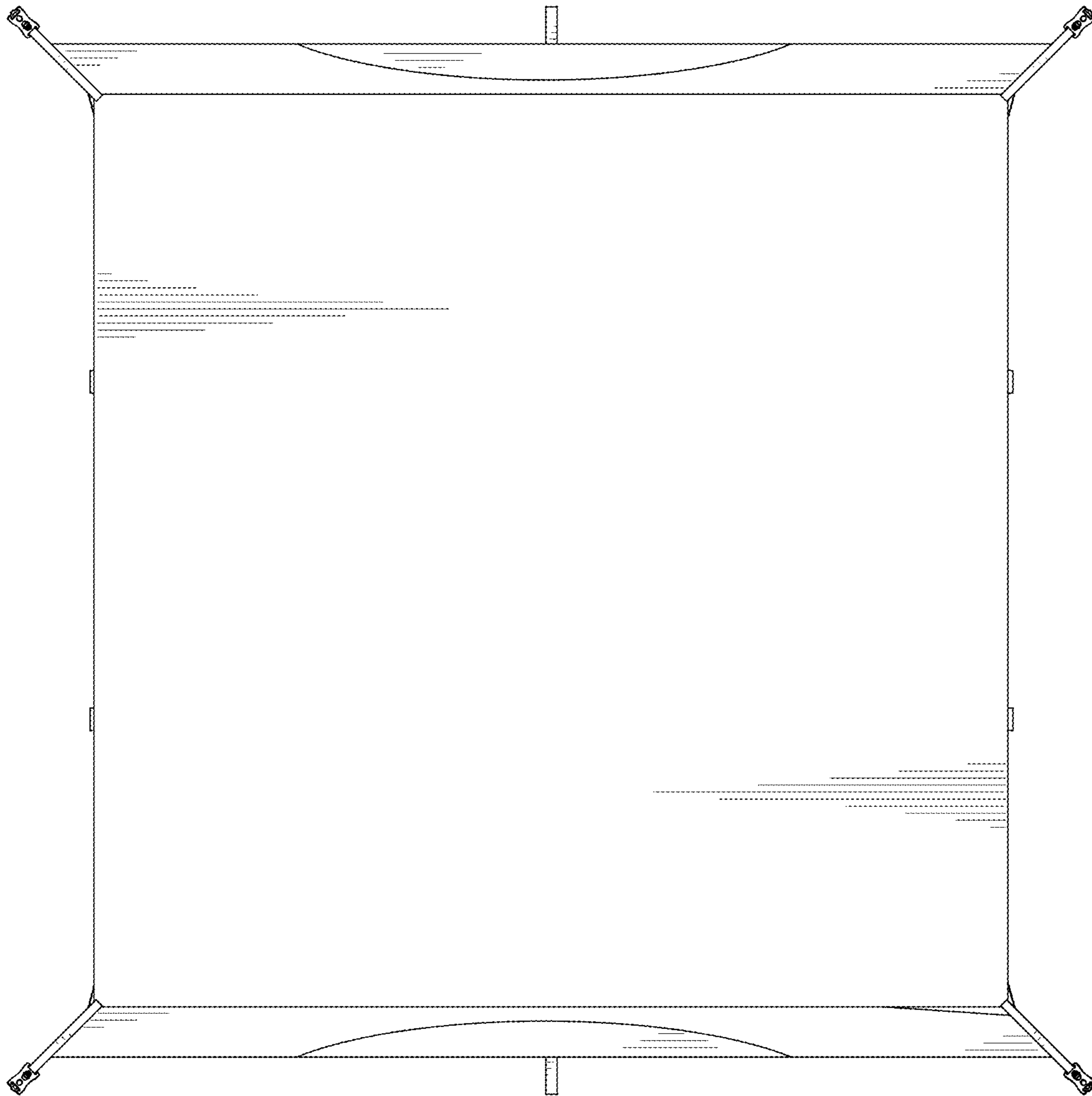


FIG. 8

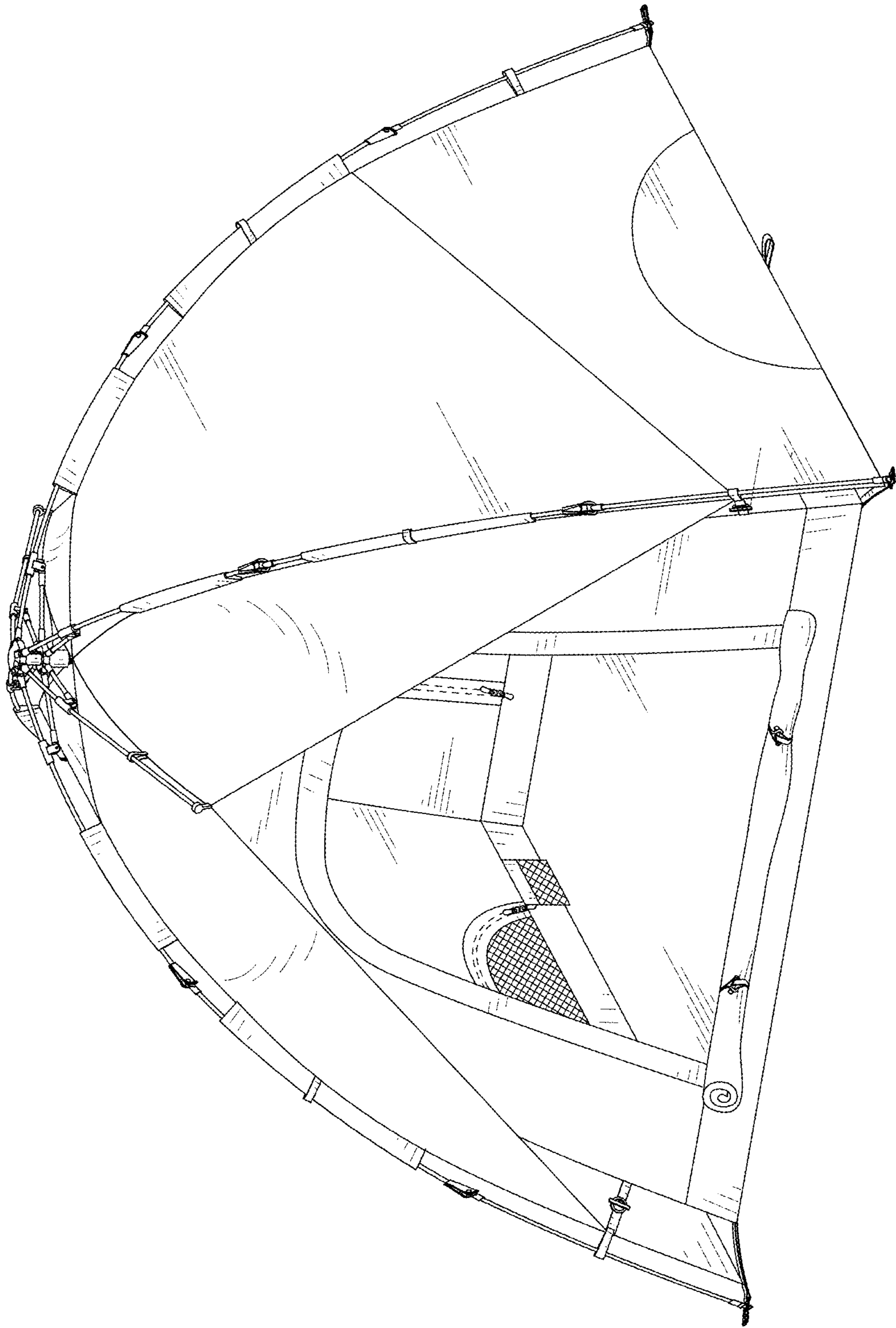


FIG. 9