



US00D933766S

(12) **United States Design Patent** (10) **Patent No.:** **US D933,766 S**
Parsons et al. (45) **Date of Patent:** **** Oct. 19, 2021**

- (54) **GOLF CLUB HEAD**
- (71) Applicant: **PARSONS XTREME GOLF, LLC**,
Scottsdale, AZ (US)
- (72) Inventors: **Robert R. Parsons**, Scottsdale, AZ
(US); **Michael R. Nicolette**, Scottsdale,
AZ (US)
- (73) Assignee: **YAM Capital**, Scottsdale, AZ (US)
- (**) Term: **15 Years**
- (21) Appl. No.: **29/795,541**
- (22) Filed: **Jun. 18, 2021**

D63,284 S 11/1923 Challis
 RE19,178 E 5/1934 Spiker
 4,043,562 A 8/1977 Shillington
 D248,783 S 8/1978 Long
 4,340,230 A 7/1982 Churchward
 (Continued)

FOREIGN PATENT DOCUMENTS

JP 2004223184 A 8/2004
 JP 2005160691 A 6/2005
 (Continued)

OTHER PUBLICATIONS

Plugged In Golf (2015 Bettinardi Putters Review) [online]. Mar. 3,
 2015, [retrieve Nov. 25, 2019] Retrieve from the internet.
 (Continued)

Primary Examiner — Mitchell I. Siegel

(57) **CLAIM**

The ornamental design for a golf club head, as shown and described.

DESCRIPTION

FIG. 1 is a top perspective view of a golf club head;
 FIG. 2 is a bottom perspective view of the golf club head of
 FIG. 1;
 FIG. 3 is a front elevational view of the golf club head of
 FIG. 1;
 FIG. 4 is a rear elevational view of the golf club head of FIG.
 1;
 FIG. 5 is a top view of the golf club head of FIG. 1;
 FIG. 6 is a bottom view of the golf club head of FIG. 1;
 FIG. 7 is a left side view of the golf club head of FIG. 1; and,
 FIG. 8 is a right side view of the golf club head of FIG. 1.
 The broken lines shown on the drawings form no part of the
 claimed design.

Related U.S. Application Data

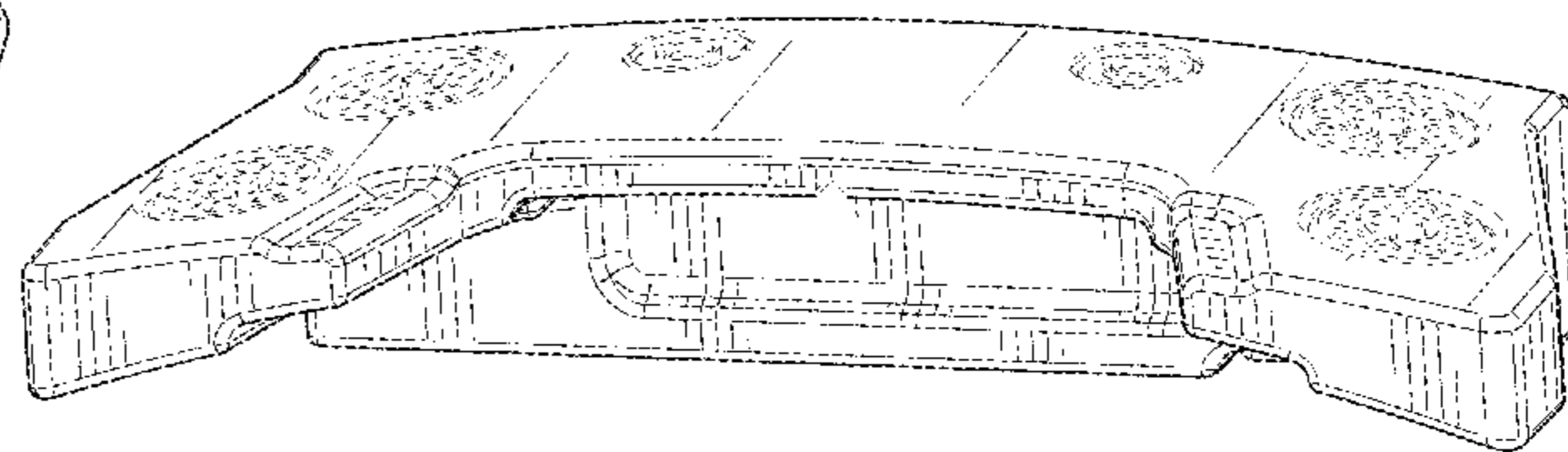
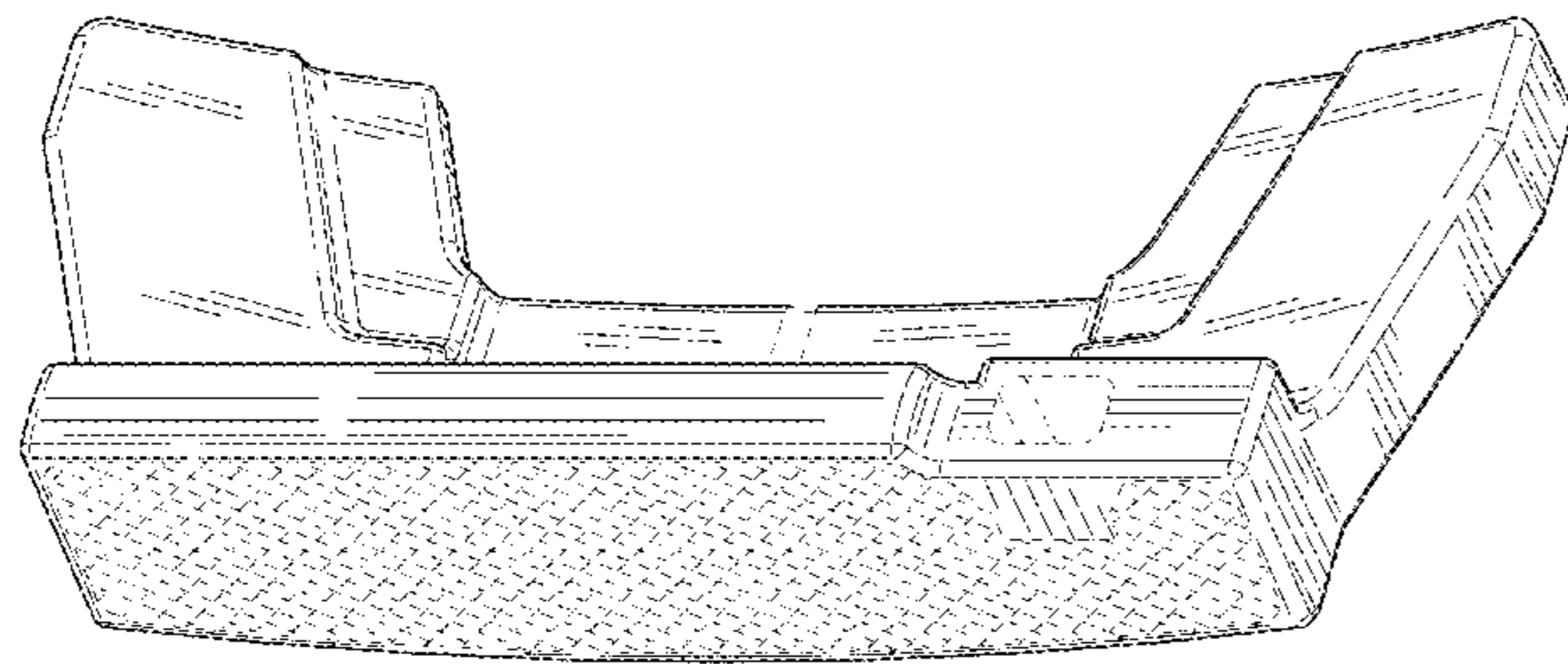
- (60) Division of application No. 29/700,691, filed on Aug.
5, 2019, now Pat. No. Des. 925,673, which is a
continuation-in-part of application No. 29/683,574,
filed on Mar. 14, 2019, now abandoned, which is a
continuation-in-part of application No. 29/680,946,
filed on Feb. 21, 2019, now abandoned.
- (51) **LOC (13) Cl.** **21-02**
- (52) **U.S. Cl.**
USPC **D21/736**
- (58) **Field of Classification Search**
USPC D21/736-746, 759
CPC A63B 53/00; A63B 53/04; A63B 53/007;
A63B 53/065; A63B 53/0487; A63B
60/00; A63B 60/46
See application file for complete search history.

(56) **References Cited**

U.S. PATENT DOCUMENTS

723,534 A 3/1903 Knight
 922,444 A 5/1909 Youds
 1,094,599 A 4/1914 Samson
 D57,980 S 5/1921 Kraeuter

1 Claim, 7 Drawing Sheets



(56)

References Cited

U.S. PATENT DOCUMENTS

D281,092 S	10/1985	Mills	D482,087 S	11/2003	Burrows
4,754,977 A	7/1988	Sahm	6,652,390 B2	11/2003	Bradford
4,869,507 A	9/1989	Sahm	D483,086 S	12/2003	Schweigert et al.
4,964,641 A	10/1990	Miesch et al.	D486,539 S	2/2004	Burrows
D313,451 S	1/1991	Shearer	D486,872 S	2/2004	Schweigert et al.
D335,317 S	5/1993	Shearer	D488,200 S	4/2004	Olsavsky et al.
D335,692 S	5/1993	Antonious	D490,487 S	5/2004	Burrows
D336,757 S	6/1993	Antonious	D498,276 S	11/2004	Schweigert et al.
5,275,412 A	1/1994	Innes	D500,823 S	1/2005	Aldrich
D350,582 S	9/1994	Miansian et al.	D502,518 S	3/2005	Smart
5,390,919 A	2/1995	Stubbs et al.	6,902,496 B2	6/2005	Solheim et al.
D356,131 S	3/1995	Trimble	6,902,498 B2	6/2005	Sullivan et al.
D359,330 S	6/1995	Channell	D509,273 S	9/2005	Morris et al.
D360,444 S	7/1995	Takahashi et al.	D511,801 S	11/2005	Garcia
5,429,366 A	7/1995	McCabe	D512,114 S	11/2005	Garcia
D363,101 S	10/1995	Sturm	D512,116 S	11/2005	Miraflor et al.
D364,665 S	11/1995	Goodrich	6,988,955 B2	1/2006	Stoakes
D365,864 S	1/1996	Sturm	6,988,956 B2	1/2006	Cover et al.
5,489,097 A	2/1996	Simmons	D520,083 S	5/2006	Lu
D368,751 S	4/1996	Rife	D520,088 S	5/2006	Parr
D369,393 S	4/1996	Takahashi et al.	D520,584 S *	5/2006	Karlsen D21/743
5,571,053 A	11/1996	Lane	D529,109 S	9/2006	Jones
D378,688 S	4/1997	Cameron	D531,242 S	10/2006	Adams
D380,514 S	7/1997	Markley	7,125,341 B1	10/2006	D'Eath
D381,382 S	7/1997	Fenton, Jr.	D532,067 S	11/2006	Soracco et al.
D385,609 S	10/1997	Cameron	7,153,220 B2	12/2006	Lo
5,683,307 A	11/1997	Rife	D534,595 S	1/2007	Hasebe
D388,143 S	12/1997	Huan-Chiang	7,156,752 B1	1/2007	Bennett
D389,207 S	1/1998	Cameron	D536,401 S	2/2007	Kawami
D398,685 S	9/1998	Masuda	D536,403 S	2/2007	Kawami
5,807,190 A	9/1998	Krumme et al.	D537,898 S	3/2007	Kuan et al.
D399,274 S	10/1998	Bradford	D538,371 S	3/2007	Kawami
D399,290 S	10/1998	Sizemore, Jr.	7,204,765 B2	4/2007	Cover et al.
D399,911 S	10/1998	Nicolette et al.	D542,869 S	5/2007	Adams
5,839,974 A	11/1998	McAllister	D542,873 S	5/2007	Oldknow
D405,836 S	2/1999	Nicolette et al.	D543,598 S	5/2007	Kuan et al.
D409,701 S	5/1999	Ashcraft et al.	D543,601 S	5/2007	Kawami
D411,275 S	6/1999	Bottema et al.	D555,219 S	11/2007	Lin
5,924,938 A	7/1999	Hines	D556,277 S	11/2007	Broom
D415,809 S	10/1999	Bottema et al.	7,309,297 B1	12/2007	Solari
D416,062 S	11/1999	Solheim et al.	D561,854 S	2/2008	Morris
D416,969 S	11/1999	Solheim et al.	7,331,876 B2	2/2008	Klein
D416,970 S	11/1999	Solheim et al.	D565,137 S	3/2008	Oldknow et al.
6,007,434 A	12/1999	Baker et al.	7,351,162 B2	4/2008	Soracco et al.
D421,473 S	3/2000	Solheim et al.	D569,460 S	5/2008	Walker et al.
D422,041 S	3/2000	Bradford	D569,461 S	5/2008	Morris
D422,655 S	4/2000	Hicks	D569,930 S	5/2008	Nehrbas
6,050,903 A	4/2000	Lake	7,396,289 B2	7/2008	Soracco et al.
D426,276 S	6/2000	Besnard et al.	D577,085 S	9/2008	Nicolette et al.
6,089,993 A	7/2000	Woodward et al.	D577,086 S	9/2008	Nicolette et al.
D429,302 S	8/2000	Antonious	D579,506 S	10/2008	Nicolette et al.
6,110,057 A	8/2000	McKinnon	D579,995 S	11/2008	Nicolette et al.
D430,914 S	9/2000	Antonious	D582,497 S	12/2008	Rollinson
D431,853 S	10/2000	Antonious	7,473,189 B2	1/2009	Schweigert et al.
D431,854 S	10/2000	Cameron	7,491,131 B2	2/2009	Vinton
D432,192 S	10/2000	Hicks	D594,921 S	6/2009	Bettinardi
D436,151 S	1/2001	Nicolette et al.	D595,370 S	6/2009	Ines et al.
D437,374 S	2/2001	Cameron	D595,793 S	7/2009	Rollinson
D441,820 S	5/2001	Nicolette et al.	D599,425 S	9/2009	Laub
D443,668 S	6/2001	Nicolette et al.	D599,867 S	9/2009	Teramoto
D443,905 S	6/2001	Nicolette et al.	D600,295 S	9/2009	Meeks
D444,833 S	7/2001	Wells et al.	D600,762 S	9/2009	Serrano et al.
D444,835 S	7/2001	Wahl et al.	D600,763 S	9/2009	Cameron
6,257,994 B1	7/2001	Antonious	D601,214 S	9/2009	Serrano et al.
6,264,571 B1	7/2001	Lekavich	D606,139 S	12/2009	Ines et al.
D449,664 S	10/2001	Beebe et al.	D606,140 S	12/2009	Ramsauer
D449,865 S	10/2001	Fife, Jr. et al.	D606,141 S	12/2009	Ramsauer
D450,799 S	11/2001	Nicolette et al.	D606,142 S	12/2009	Ramsauer
D451,973 S	12/2001	Wells et al.	D607,951 S	1/2010	Teramoto
6,348,014 B1	2/2002	Chiu	D607,952 S	1/2010	Demkowski et al.
6,354,959 B1	3/2002	Nicolette et al.	D617,857 S	6/2010	Sones
6,394,910 B1	5/2002	McCarthy	7,744,485 B2	6/2010	Jones et al.
D472,949 S	4/2003	Serrano	D619,666 S	7/2010	DePaul
D474,821 S	5/2003	Wells et al.	D620,993 S	8/2010	Laub
D474,949 S	5/2003	Schaffeld et al.	D621,461 S	8/2010	Serrano et al.
			D623,709 S	9/2010	Serrano et al.
			7,867,104 B2	1/2011	Franklin et al.
			D631,925 S	2/2011	Broom
			7,887,432 B2	2/2011	Jones et al.

(56)

References Cited

U.S. PATENT DOCUMENTS

D633,964 S	3/2011	Teramoto	D798,977 S	10/2017	Becktor
7,909,707 B2	3/2011	Klein	D798,978 S	10/2017	Becktor
7,918,745 B2	4/2011	Morris et al.	D798,979 S	10/2017	Becktor
7,927,226 B1	4/2011	Twitty	D798,980 S	10/2017	Becktor
D638,891 S	5/2011	Nicolette et al.	D798,981 S	10/2017	Becktor et al.
7,942,758 B2	5/2011	Nakamura	D799,619 S	10/2017	Becktor et al.
D639,369 S	6/2011	Miyamichi	D802,073 S	11/2017	Toulon
D642,643 S	8/2011	Nicolette et al.	D807,453 S *	1/2018	Serrano D21/743
D643,485 S	8/2011	Nicolette et al.	D809,616 S	2/2018	Toulon et al.
D643,892 S	8/2011	McGrorty	D812,163 S	3/2018	Kroloff
D645,104 S	9/2011	Nicolette et al.	D815,222 S *	4/2018	Serrano D21/743
8,096,039 B2	1/2012	Soracco et al.	D820,924 S *	6/2018	Cameron D21/736
D653,718 S	2/2012	Stokke et al.	D820,925 S *	6/2018	Cameron D21/736
8,109,841 B2	2/2012	Miyamichi	9,987,530 B2	6/2018	Jertson et al.
D655,361 S	3/2012	Ramsauer	D824,462 S	7/2018	Bruschi et al.
D657,836 S	4/2012	Oldknow et al.	D827,742 S	9/2018	Weaver
D657,837 S	4/2012	Oldknow et al.	D832,381 S *	10/2018	Serrano D21/743
D658,245 S	4/2012	Oldknow et al.	D835,217 S	12/2018	Nicolette
D661,753 S	6/2012	Cameron et al.	D837,911 S	1/2019	Bruschi et al.
D666,260 S	8/2012	Cynn	10,173,105 B2	1/2019	Myers et al.
8,303,434 B1	11/2012	DePaul	D839,977 S	2/2019	Rollinson et al.
D672,418 S	12/2012	Rollinson	D844,085 S	3/2019	Nicolette
8,328,654 B2	12/2012	Demkowski et al.	D844,722 S *	4/2019	Wang D21/736
8,371,958 B2	2/2013	Treadwell	D844,723 S	4/2019	Nicolette
8,376,876 B2	2/2013	Gibbs et al.	D859,545 S	9/2019	Long et al.
8,376,878 B2	2/2013	Bennett et al.	D861,091 S	9/2019	Glorioso et al.
D688,339 S	8/2013	Hilton et al.	D867,495 S *	11/2019	Cameron D21/736
D688,341 S	8/2013	Rollinson	D867,498 S *	11/2019	Broom D21/743
D691,226 S	10/2013	Hilton et al.	D872,816 S *	1/2020	Parsons D21/736
8,608,590 B2	12/2013	Hackel et al.	D877,831 S	3/2020	Cameron
D699,308 S	2/2014	Rollinson	D882,006 S *	4/2020	Serrano D21/736
8,696,492 B1	4/2014	Hocknell et al.	D892,243 S	8/2020	Rollinson et al.
D704,782 S	5/2014	Rollinson	D892,954 S *	8/2020	Clarke D21/736
8,721,472 B2	5/2014	Kuan et al.	D893,645 S *	8/2020	Serrano D21/743
8,790,193 B2	7/2014	Serrano et al.	D893,655 S	8/2020	Schweigert et al.
D711,483 S	8/2014	Wong	D895,037 S	9/2020	Clarke et al.
D715,388 S	10/2014	Serrano et al.	D896,328 S	9/2020	Clarke et al.
8,900,064 B2	12/2014	Franklin	D906,453 S	12/2020	Agrella et al.
D722,350 S	2/2015	Schweigert	D906,457 S	12/2020	Lambeth et al.
D722,351 S	2/2015	Parsons et al.	D907,146 S	1/2021	Cyrulik et al.
D722,352 S	2/2015	Nicolette et al.	D907,147 S	1/2021	Agrella et al.
D723,120 S	2/2015	Nicolette	D907,730 S	1/2021	Rollinson et al.
D724,164 S	3/2015	Schweigert et al.	D910,789 S *	2/2021	Schweigert D21/736
D725,208 S	3/2015	Schweigert	D910,790 S *	2/2021	Schweigert D21/736
D726,265 S	4/2015	Nicolette	D912,174 S *	3/2021	Toulon D21/743
D726,270 S	4/2015	Rollinson	D921,140 S *	6/2021	Serrano D21/736
D726,846 S	4/2015	Schweigert	2004/0138003 A1	7/2004	Grace
D730,462 S	5/2015	Becktor et al.	2004/0180730 A1	9/2004	Franklin et al.
D732,122 S	6/2015	Becktor	2006/0052178 A1	3/2006	Franklin et al.
D732,618 S	6/2015	Becktor et al.	2006/0094522 A1	5/2006	Tang et al.
D733,234 S	6/2015	Nicolette	2006/0223649 A1	10/2006	Rife
D735,283 S *	7/2015	Solheim D21/743	2007/0129163 A1	6/2007	Solari
9,108,088 B2	8/2015	Serrano et al.	2007/0135229 A1	6/2007	Lo et al.
D738,447 S	9/2015	Schweigert	2007/0142122 A1	6/2007	Bonneau
D738,449 S	9/2015	Schweigert	2007/0207875 A1	9/2007	Kuan et al.
D739,487 S	9/2015	Schweigert	2007/0238548 A1	10/2007	Johnson
9,144,717 B2	9/2015	Franklin et al.	2008/0139333 A1	6/2008	Klein
D741,426 S	10/2015	Schweigert	2008/0146372 A1	6/2008	John
D746,926 S	1/2016	Parsons et al.	2008/0176672 A1	7/2008	Roach et al.
D748,213 S	1/2016	Parsons et al.	2009/0029800 A1	1/2009	Jones et al.
D748,215 S	1/2016	Parsons et al.	2010/0255922 A1	10/2010	Lueders
9,233,283 B2	1/2016	Schweigert	2011/0165959 A1	7/2011	Klein
9,265,996 B1	2/2016	Abbott et al.	2013/0165256 A1	6/2013	Stevenson
D752,697 S	3/2016	Claveran	2013/0210537 A1	8/2013	Ainscough et al.
D753,252 S	4/2016	Schweigert	2015/0057100 A1	2/2015	Serrano et al.
9,440,124 B2	9/2016	Parsons et al.	2015/0258390 A1	9/2015	DeFrancesco, Jr.
D771,208 S *	11/2016	Bettinardi D21/744	2015/0306477 A1	10/2015	Parsons et al.
9,498,685 B2	11/2016	Abbott et al.	2016/0016050 A1	1/2016	Rife
9,566,484 B1	2/2017	Abbott et al.	2016/0346649 A1	12/2016	Jertson et al.
D783,745 S	4/2017	Chen	2018/0001163 A1	1/2018	Becktor et al.
D791,254 S	7/2017	Ramsauer	2018/0311545 A1	11/2018	Lambeth et al.
D791,891 S	7/2017	Davis	2019/0175995 A1	6/2019	Kroloff et al.
D794,146 S	8/2017	Davis			
D798,975 S	10/2017	Becktor			
D798,976 S	10/2017	Becktor			

(56)

References Cited

U.S. PATENT DOCUMENTS

2019/0175996 A1 6/2019 Kroloff et al.
2020/0061421 A1 2/2020 Kroloff et al.

FOREIGN PATENT DOCUMENTS

KR 200377377 Y1 3/2005
KR 200403045 Y1 12/2005
KR 20100065481 A 6/2010
KR 101773069 B1 8/2017

OTHER PUBLICATIONS

TourSpecGolf (Gold's Factory Multi Weighted Custom Putter), Published Nov. 20, 2010 [<http://blog.tourspecgolf.com/golds-factory-multi-weighted-custom-putter/>], Retrieved May 17, 2020.
U.S. Appl. No. 29/523,587, Schweigert, "Golf Club Head," filed Apr. 10, 2015.

* cited by examiner

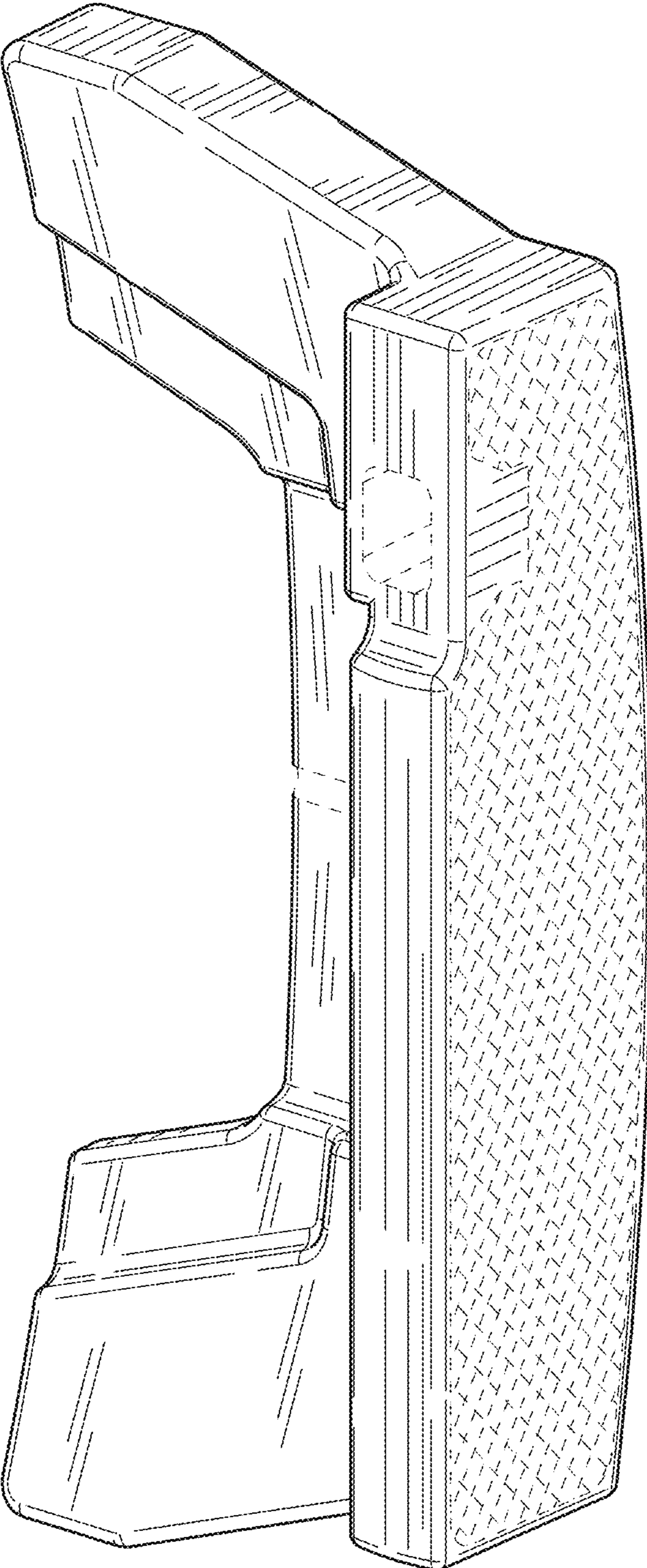


FIG. 1

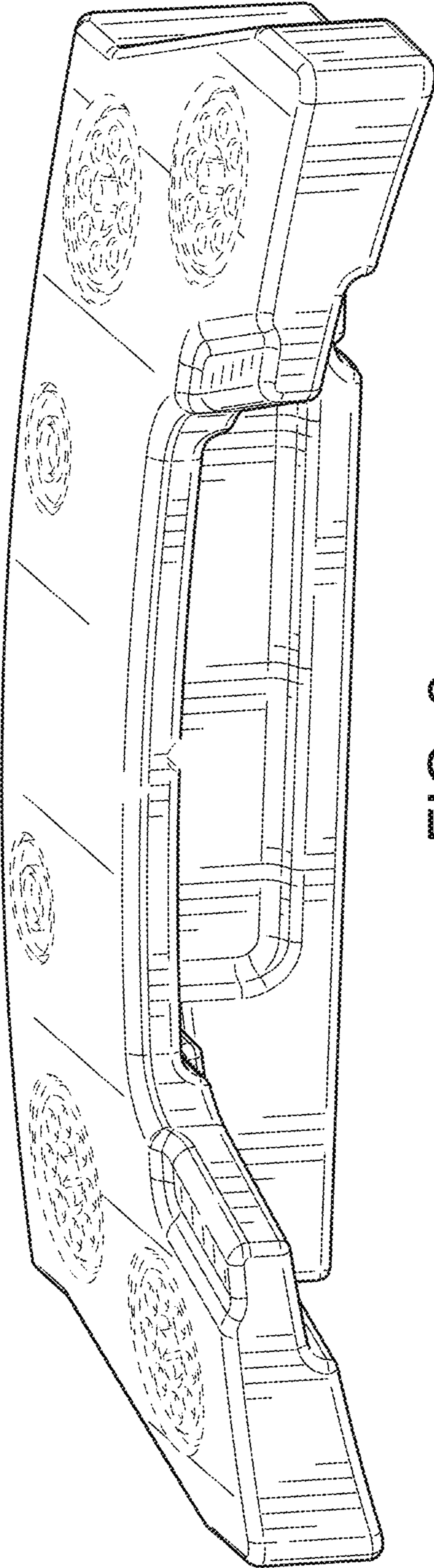


FIG. 2

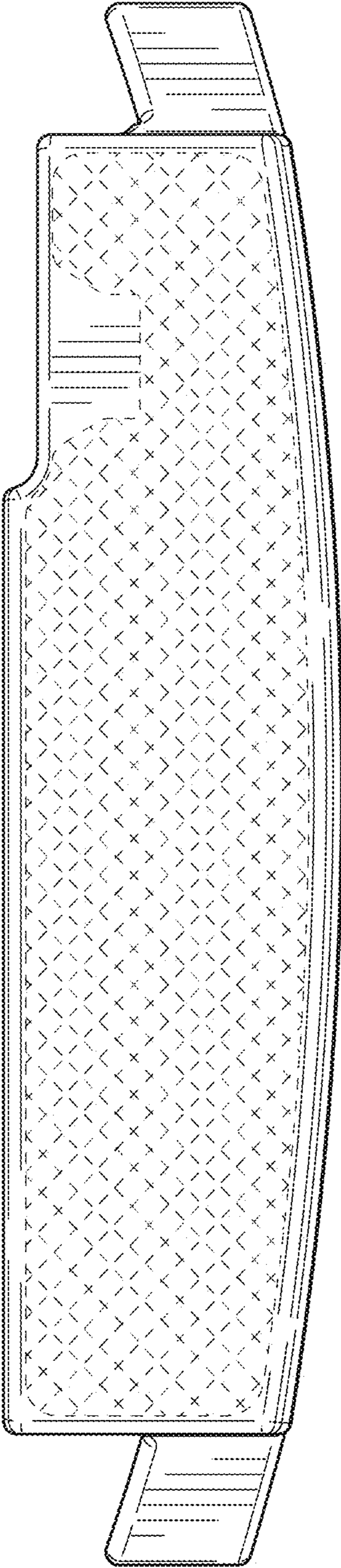


FIG. 3

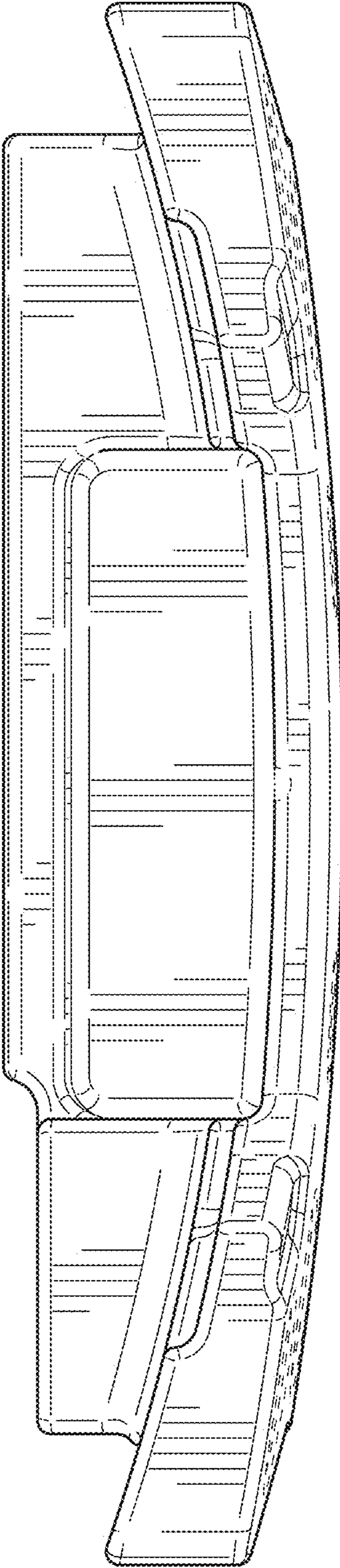


FIG. 4

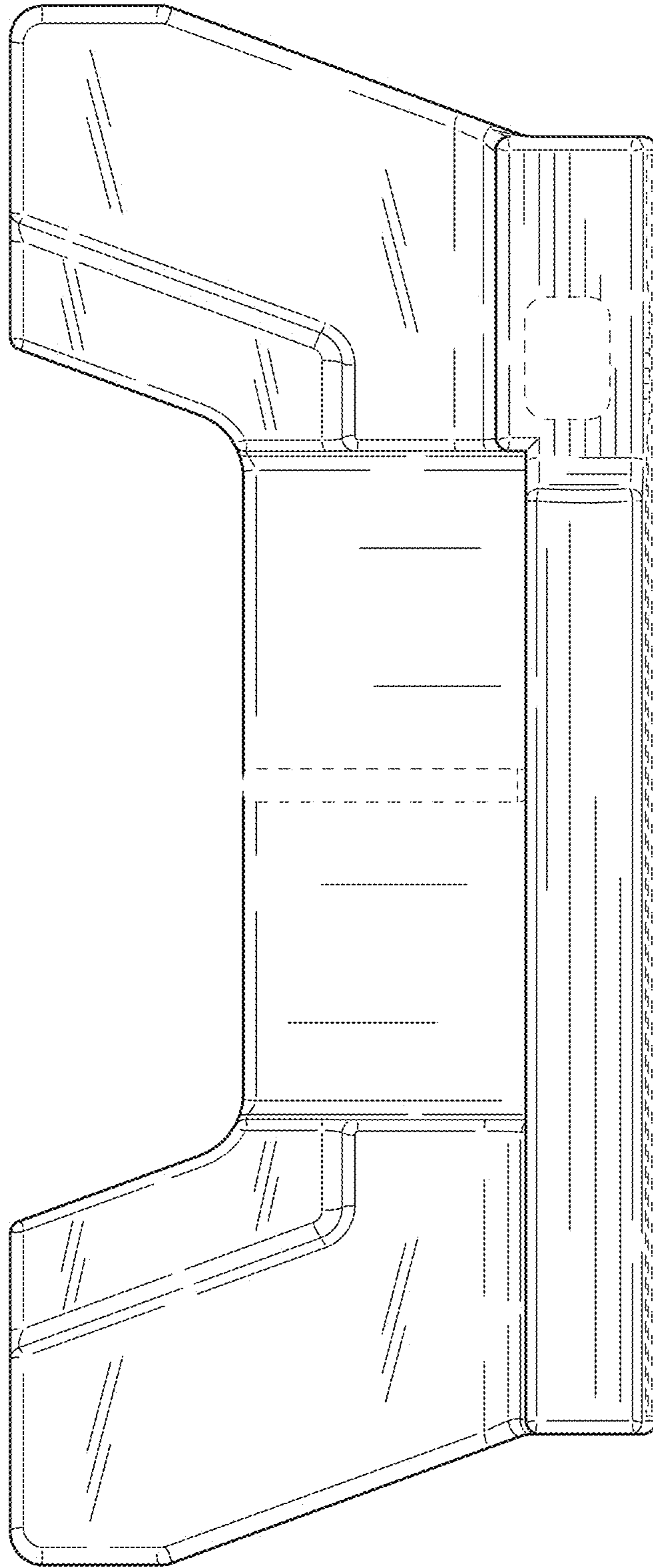


FIG. 5

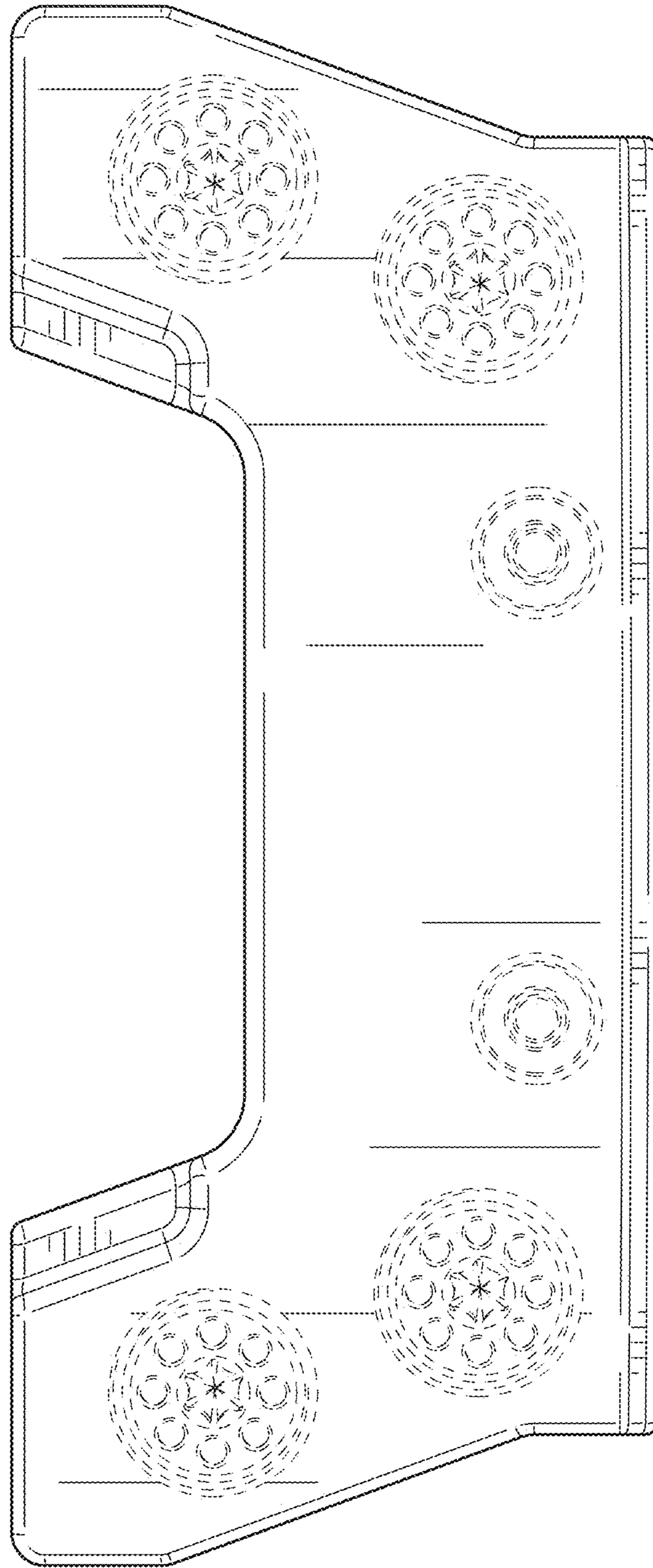


FIG. 6

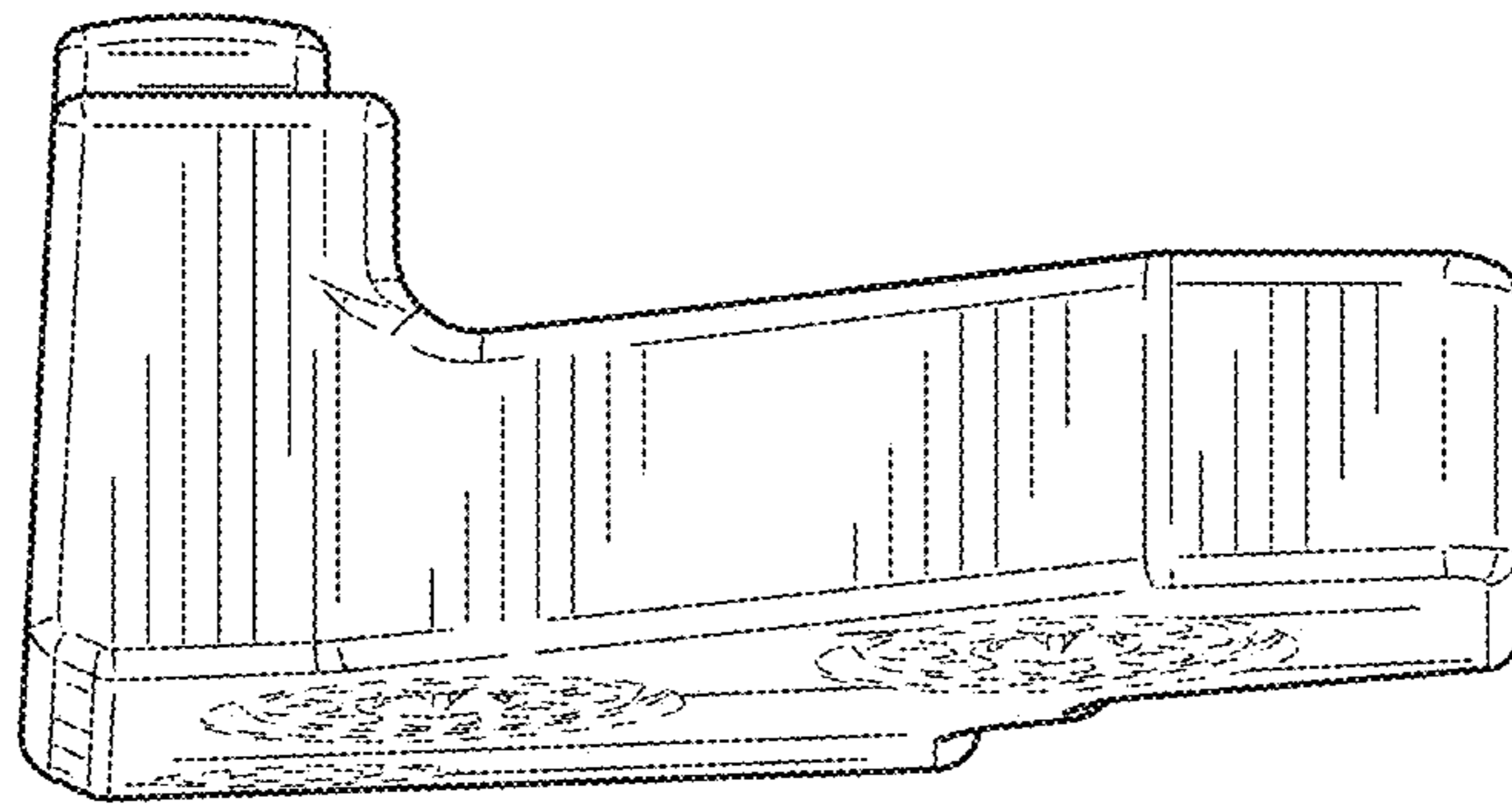


FIG. 7

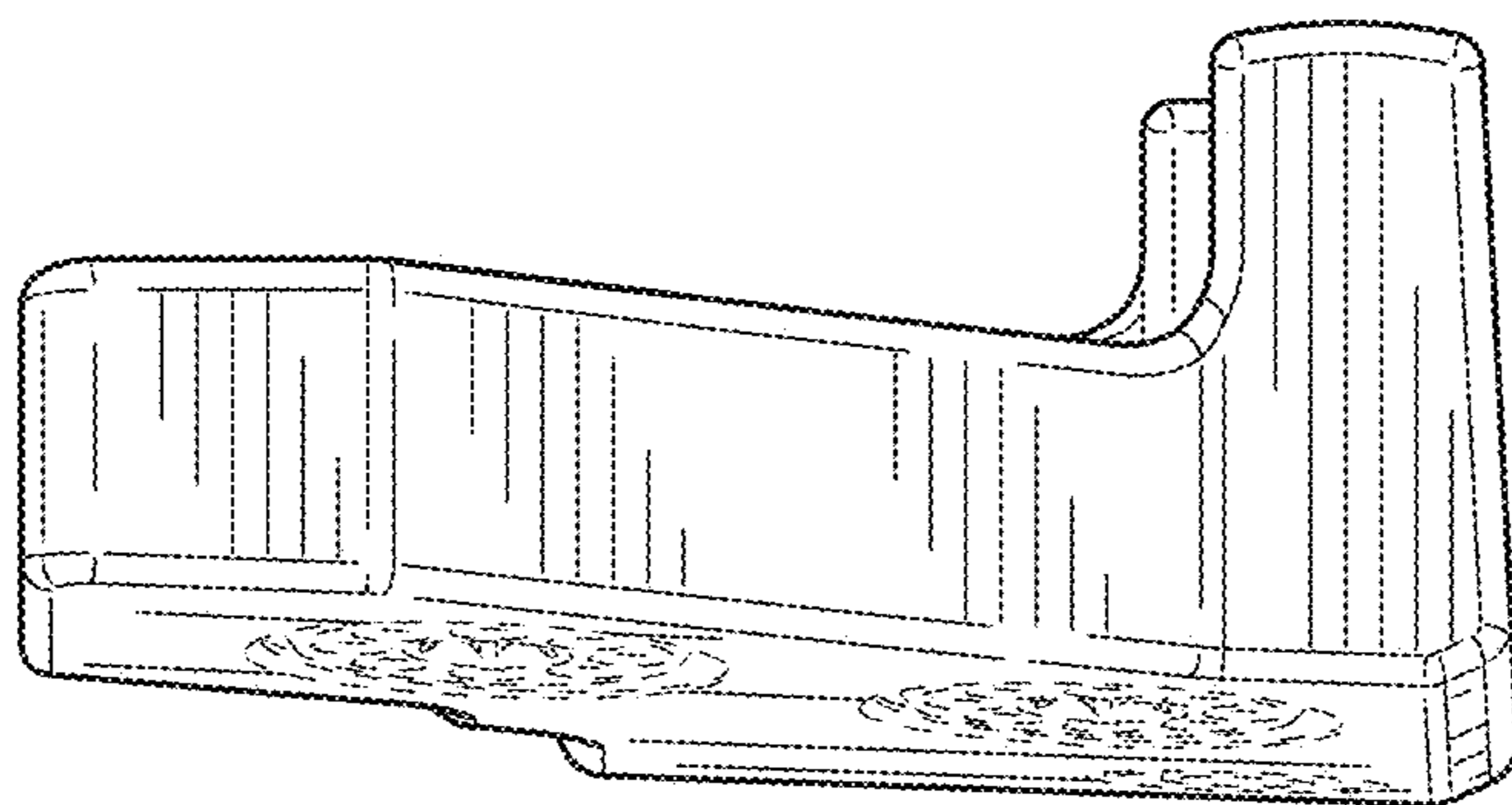


FIG. 8

UNITED STATES PATENT AND TRADEMARK OFFICE
CERTIFICATE OF CORRECTION

PATENT NO. : D933,766 S
APPLICATION NO. : 29/795541
DATED : October 19, 2021
INVENTOR(S) : Robert R. Parsons and Michael R. Nicolette

Page 1 of 1

It is certified that error appears in the above-identified patent and that said Letters Patent is hereby corrected as shown below:

On the Title Page

Item (73) Assignee: please delete "YAM Capital, Scottsdale, AZ (US)" and insert --PARSONS XTREME GOLF, LLC, Scottsdale, AZ (US)-- therefor.

Signed and Sealed this
Thirteenth Day of December, 2022



Katherine Kelly Vidal
Director of the United States Patent and Trademark Office