



US00D933764S

(12) **United States Design Patent** (10) **Patent No.:** **US D933,764 S**
Modeste (45) **Date of Patent:** **** Oct. 19, 2021**

- (54) **TRACK EXERCISE EQUIPMENT**
- (71) Applicant: **High Street TV (Group) Ltd.**,
Harrogate (GB)
- (72) Inventor: **Luke Modeste**, Harrogate (GB)
- (73) Assignee: **HIGH STREET TV (GROUP) LTD.**,
Harrogate (GB)
- (**) Term: **15 Years**
- (21) Appl. No.: **29/709,924**
- (22) Filed: **Oct. 18, 2019**
- (51) **LOC (13) Cl.** **21-02**
- (52) **U.S. Cl.**
USPC **D21/690**
- (58) **Field of Classification Search**
USPC D21/662, 676, 685, 686, 687, 690, 673,
D21/695, 671, 674, 694, 797, 798, 191,
D21/192, 193, 194, 195, 196, 197, 198,
D21/199; D24/183
- See application file for complete search history.

(56) **References Cited**

U.S. PATENT DOCUMENTS

D284,597 S *	7/1986	Smith	482/134
7,104,937 B2 *	9/2006	Arbuckle	A63B 22/0087 482/142
7,125,367 B1 *	10/2006	Stearns	A63B 22/203 482/141
D694,347 S *	11/2013	Campanaro	D21/676
D711,984 S *	8/2014	Smyth	D21/686
D788,861 S *	6/2017	Campanaro	D21/674
10,478,656 B2 *	11/2019	Lagree	A63B 21/0052
10,835,775 B1 *	11/2020	Lagree	A63B 22/0089
D914,812 S *	3/2021	Campanaro	D21/674
11,020,627 B1 *	6/2021	Lagree	A63B 21/023
2014/0011645 A1 *	1/2014	Johnson	A63B 21/4033 482/121

2015/0065320 A1 *	3/2015	Anderson	A63B 21/4045 482/142
2015/0246263 A1 *	9/2015	Campanaro	A63B 21/068 482/52
2020/0376359 A1 *	12/2020	Lagree	A63B 21/4031

OTHER PUBLICATIONS

Total gym fitness, announced 2017 [online], [site visited Jun. 28, 2021], Available on internet, URL:https://www.amazon.com/Total-Gym-Fitness-Dynamic-Abdominal/dp/B0743HWSGD/ref=asc_df_B0743HWSGD/?tag=hyprod-20&linkCode=df0&hvadid=309821907754&hvpos=&hvnetw=g&hvrnd=4568800447283946073&hvpone=&hvptwo=&hvqmt=&hvdev=c&hvdvcmld=&hvlocint=&hvlocphy=9008148&hvtargid=pla-569821765601&psc=1 (Year: 2017).*

* cited by examiner

Primary Examiner — Khawaja Anwar
Assistant Examiner — Julice Seung Eun Oum
(74) *Attorney, Agent, or Firm* — Eversheds Sutherland (US) LLP

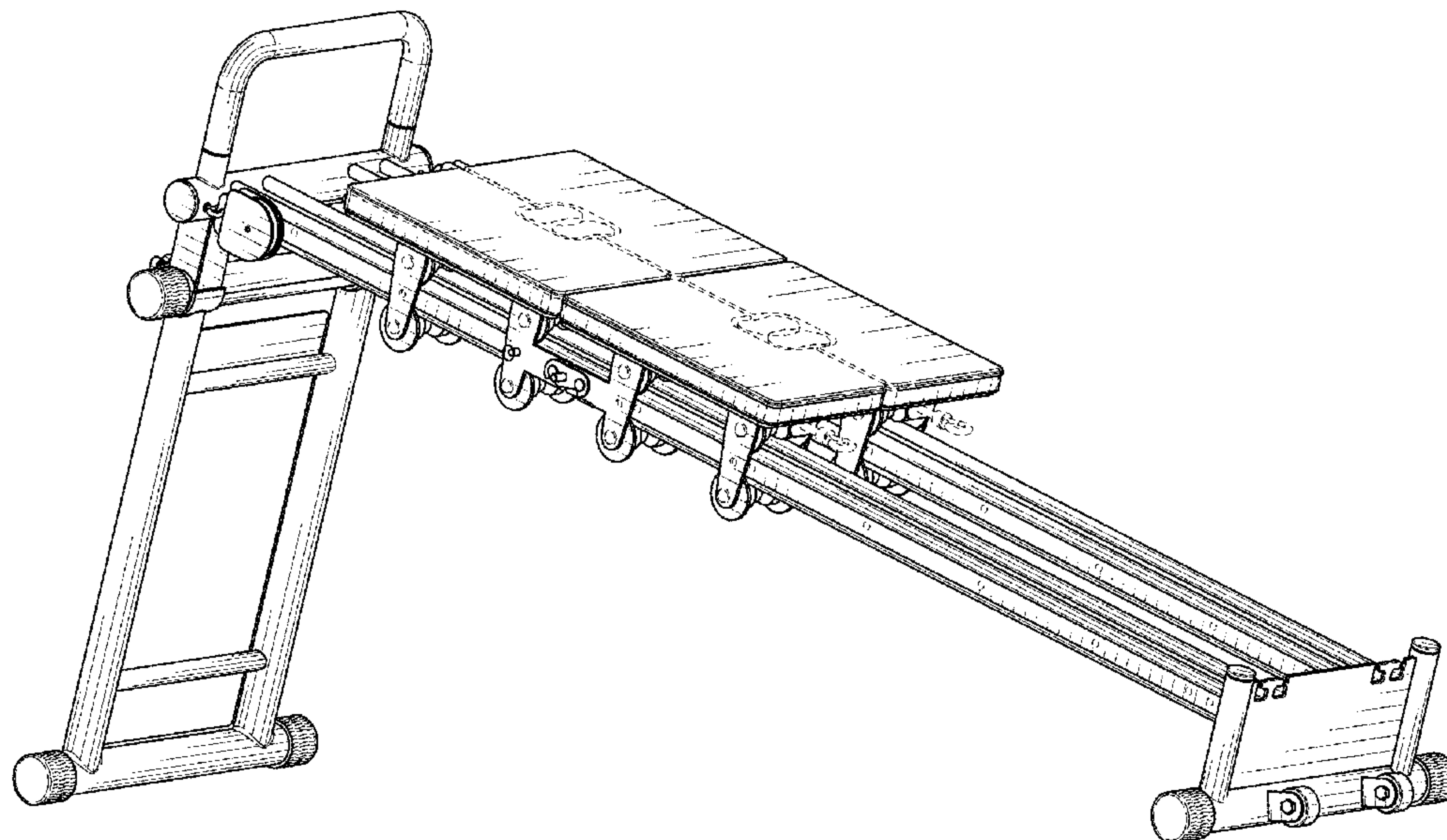
(57) **CLAIM**

The ornamental design for a track exercise equipment, as shown and described.

DESCRIPTION

FIG. 1 is a first side view showing our new design for track exercise equipment;
FIG. 2 is a front view showing the design of FIG. 1;
FIG. 3 is a back view showing the design of FIG. 1;
FIG. 4 is a second side view of the design of FIG. 1;
FIG. 5 is a top view of the design of FIG. 1;
FIG. 6 is a bottom view of the design of FIG. 1; and,
FIG. 7 is an upper first side perspective view showing the design of FIG. 1.
The broken lines illustrate environmental subject matter only and form no part of the claimed design.

1 Claim, 6 Drawing Sheets



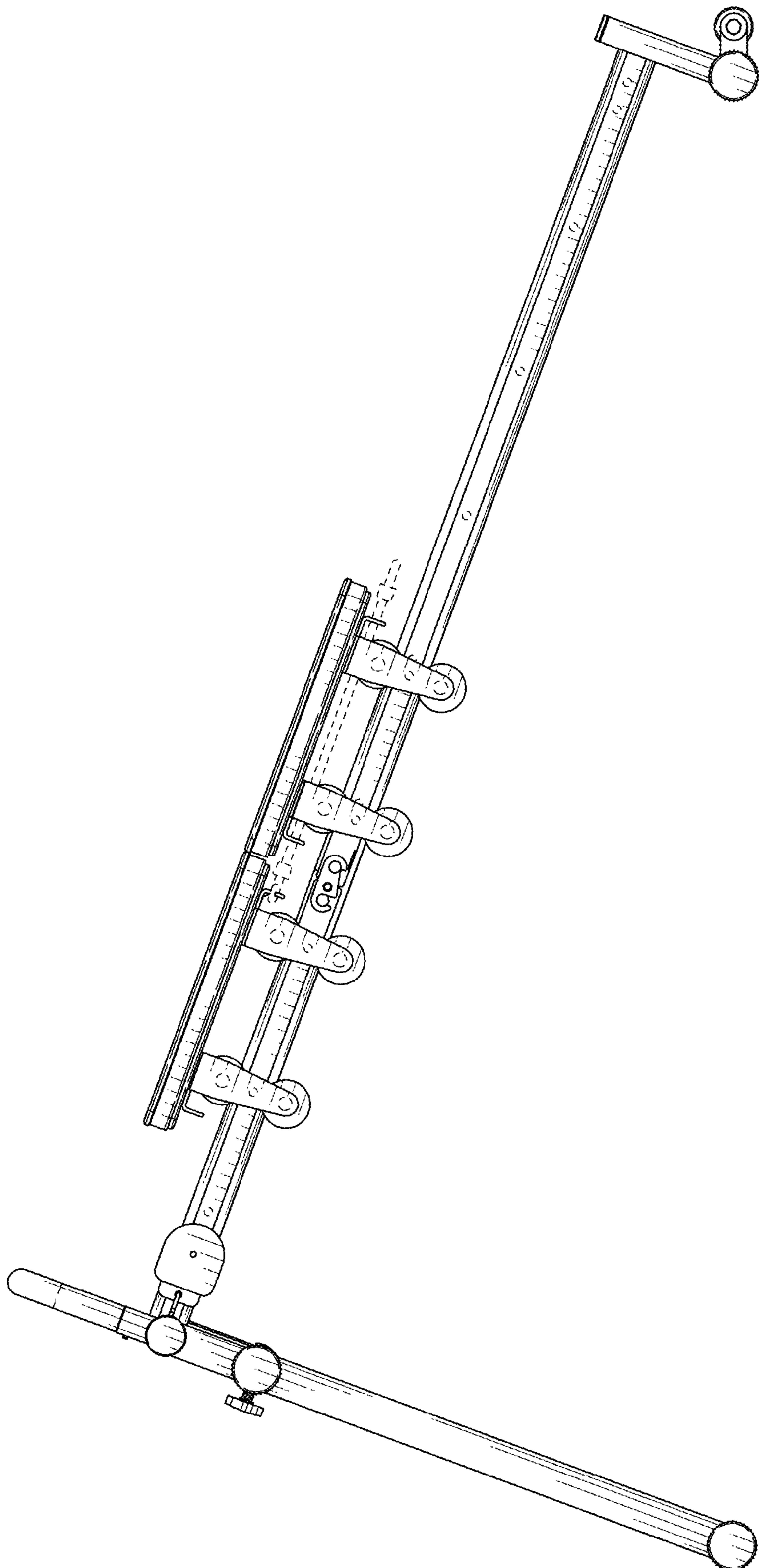


FIG. 1

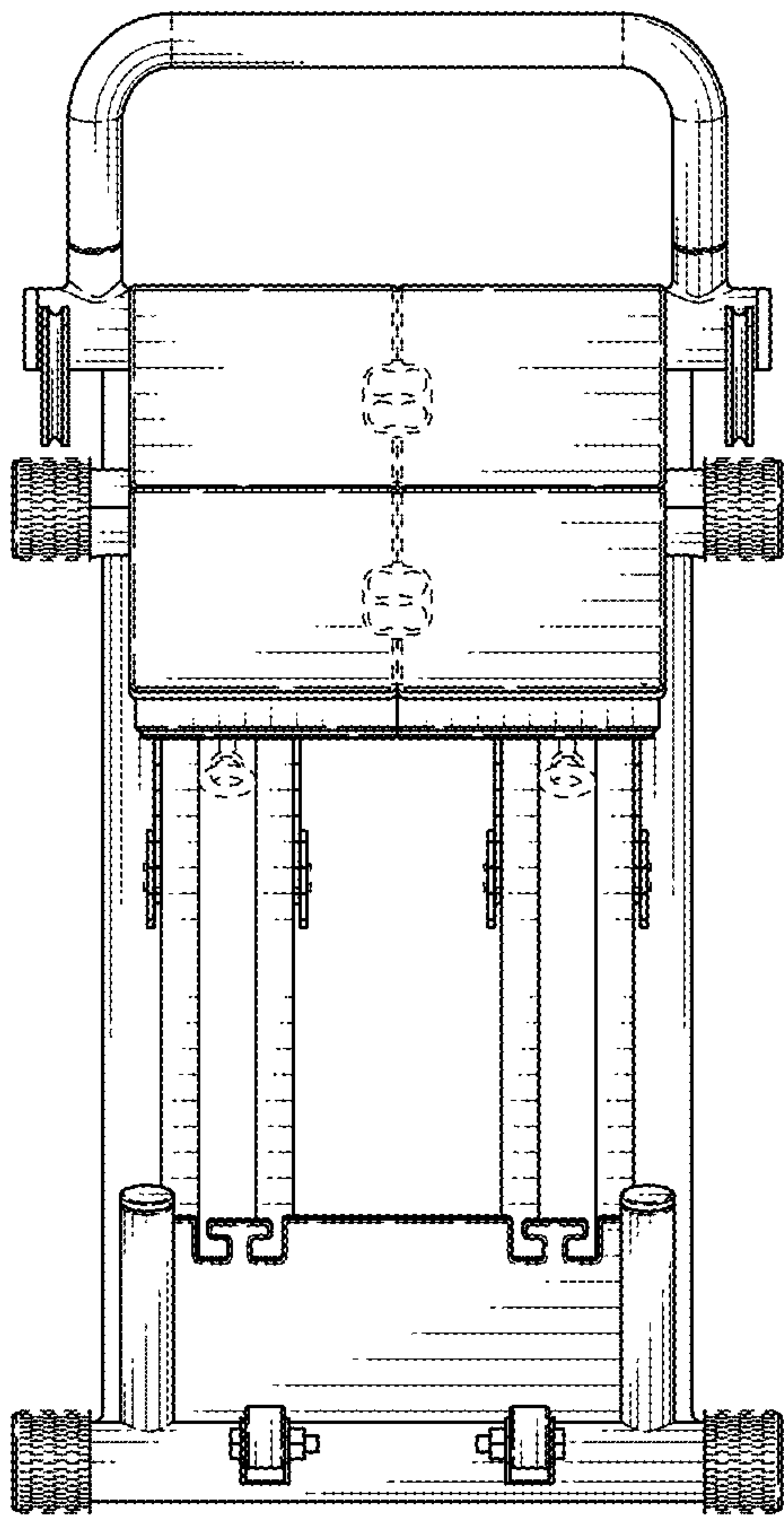


FIG. 2

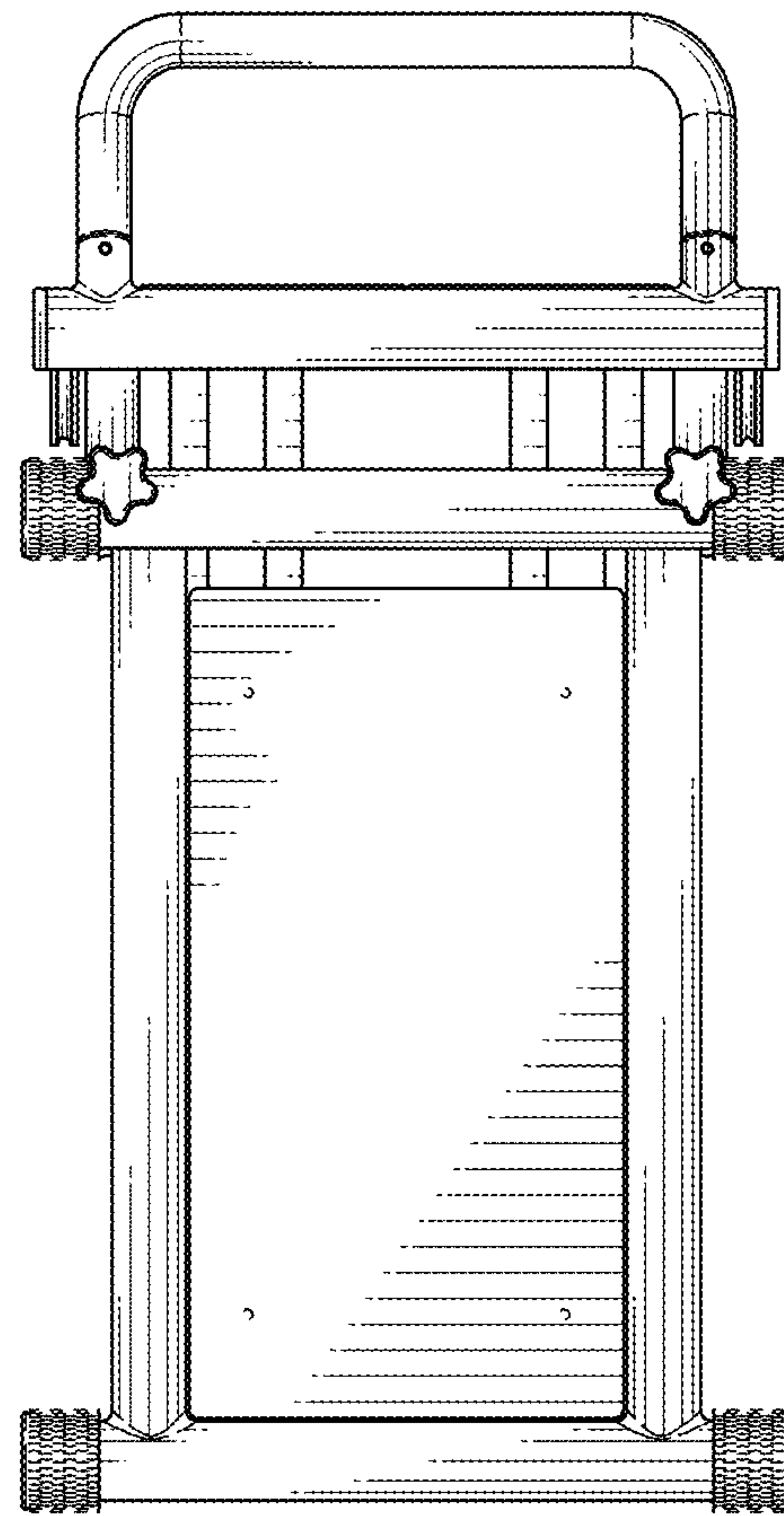


FIG. 3

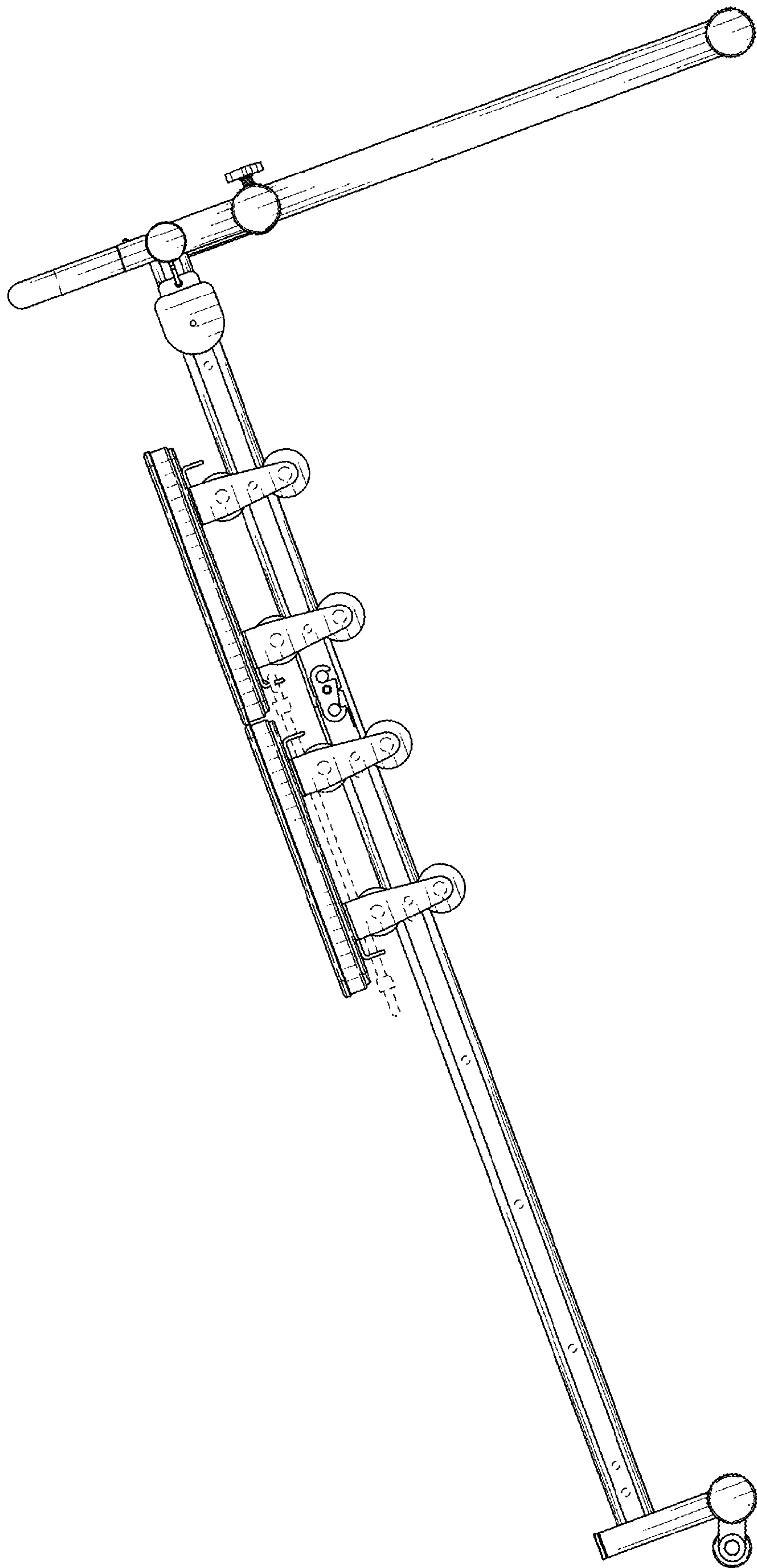


FIG. 4

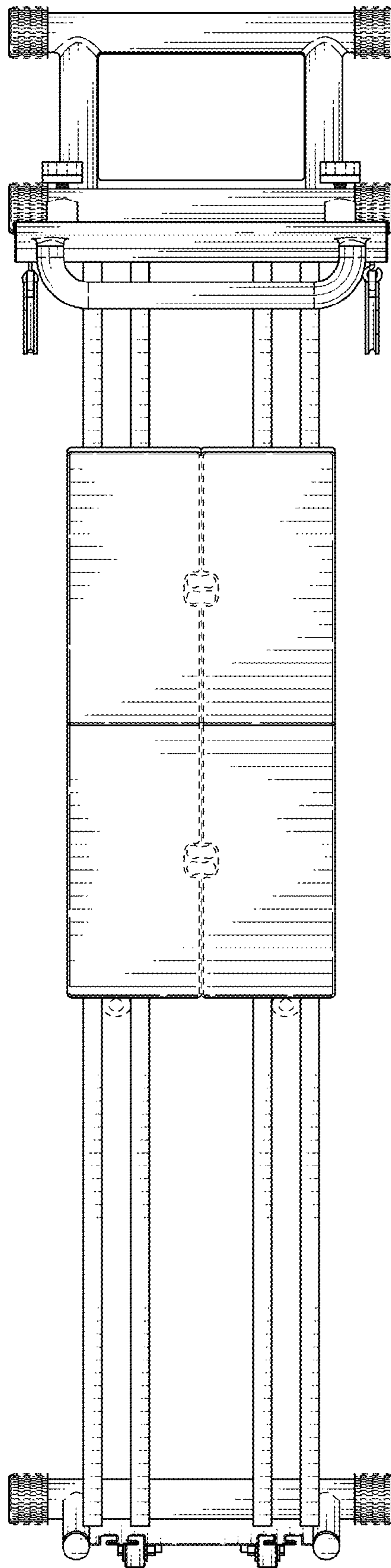


FIG. 5

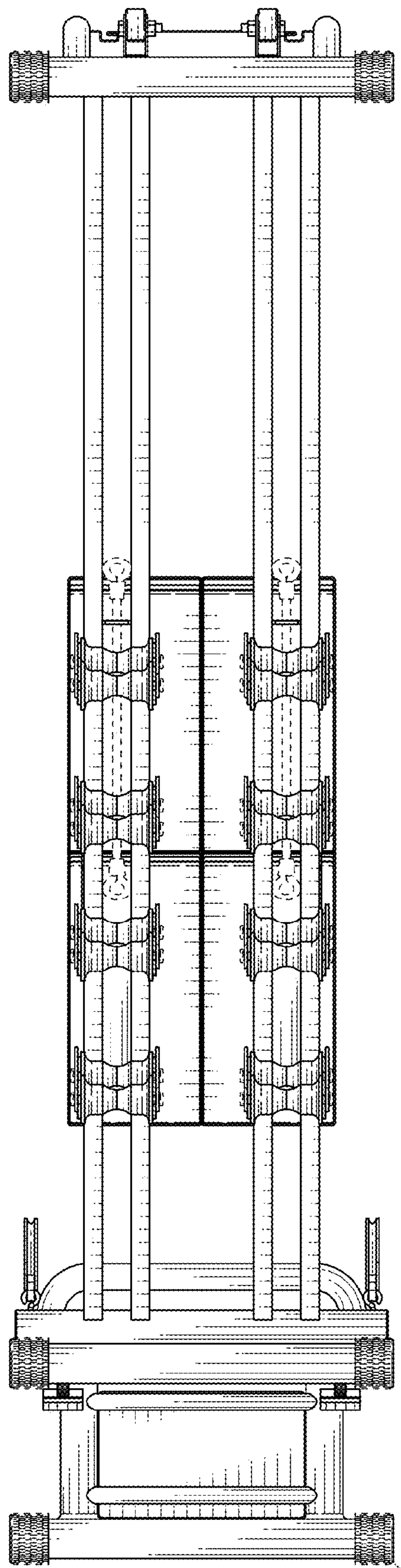


FIG. 6

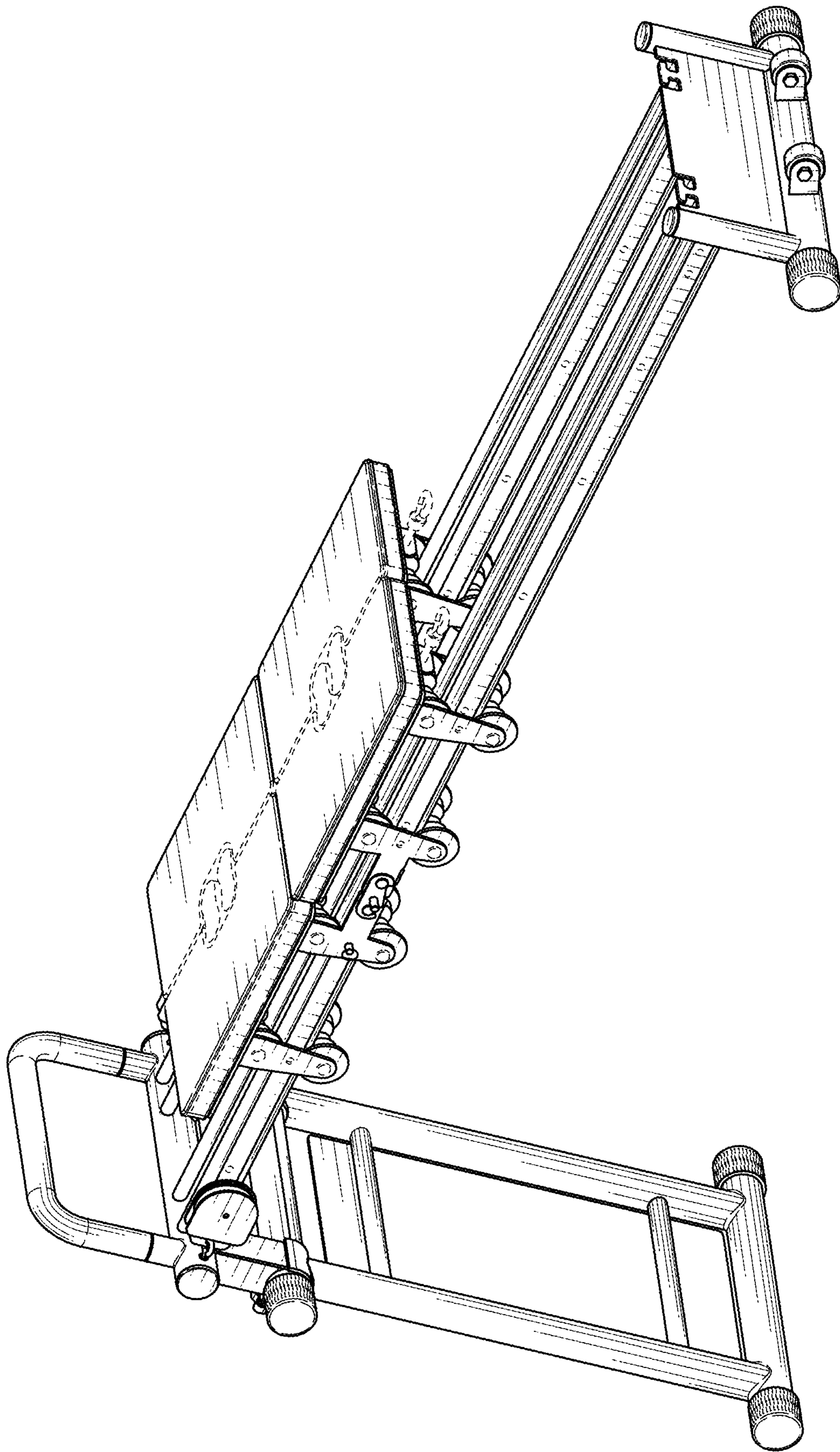


FIG. 7