

FIG. 4 is a left side elevational view thereof;
 FIG. 5 is a right side elevational view thereof;
 FIG. 6 is a top plan view thereof; and,
 FIG. 7 is a bottom plan view thereof.

1 Claim, 7 Drawing Sheets

(58) **Field of Classification Search**

CPC A63B 21/00047; A63B 21/0442; A63B 21/4039; A63B 21/4047; A63B 2208/0242; A63B 2208/0252; A63B 2210/00; A63B 47/00; A63B 2022/0652; A63B 21/0552; A63B 21/4033; A63B 21/4034; A63B 21/4035; A63B 2208/0204; A63B 2209/00; A63B 2220/17; A63B 2220/80; A63B 2225/682; A63B 23/0216; A63B 23/0233; A63B 23/030541; A63B 23/0405; A63B 23/1218; A63B 71/0619; A63B 71/0622; A63B 1/00; A63B 2022/0641; A63B 2023/003; A63B 2069/0062; A63B 2071/0655; A63B 21/00061; A63B 21/00065; A63B 21/00069; A63B 21/00178; A63B 21/0023; A63B 21/0058; A63B 21/015; A63B 21/055; A63B 21/0557; A63B 21/06; A63B 21/0628; A63B 21/072; A63B 21/0724; A63B 21/151; A63B 21/156; A63B 21/225; A63B 21/4015; A63B 21/4043; A63B 21/4045; A63B 21/4049; A63B 2208/0214; A63B 2208/0247; A63B 2208/0285; A63B 2208/0295; A63B 2209/10; A63B 2210/06; A63B 2220/51; A63B 2220/802; A63B 2220/833; A63B 2225/105; A63B 2225/20; A63B 2225/30; A63B 2225/50; A63B 2225/685; A63B 22/0002; A63B 22/0005; A63B 22/0007; A63B 22/0012; A63B 22/0056; A63B 22/0605; A63B 22/16; A63B 22/203; A63B 23/00; A63B 23/02; A63B 23/0222; A63B 23/0227; A63B 23/03558; A63B 23/0417; A63B 23/0458; A63B 23/0482; A63B 23/1209; A63B 23/1227;

A63B 24/0003; A63B 26/00; A63B 26/003; A63B 63/00; A63B 69/0057; A63B 71/00; A63B 71/06; B25H 1/04; B25H 1/16; B25H 1/005; B25H 1/06; B25H 1/12; B25H 1/14; B25H 3/02; B25H 5/00; A47G 29/20; A47G 29/141; A47G 23/0225; A47G 9/0223; B65D 21/0204; B65D 25/04; B65D 43/16

See application file for complete search history.

(56)

References Cited

U.S. PATENT DOCUMENTS

D425,153	S *	5/2000	Grider	D21/676
6,287,243	B1 *	9/2001	Isom	A63B 21/078 482/104
D455,803	S *	4/2002	Webber	D21/686
6,605,023	B1 *	8/2003	Mobley	A63B 21/078 482/142
7,331,912	B2 *	2/2008	Keiser	A63B 21/4029 482/142
9,707,438	B2 *	7/2017	Vorozilchak	A63B 21/0724
D806,809	S *	1/2018	Orellana	D21/687
D820,362	S *	6/2018	Citterio	D21/687
D907,144	S *	1/2021	Zhao	D21/690
2006/0035772	A1 *	2/2006	Golesh	A63B 21/4031 482/142
2016/0114204	A1 *	4/2016	Swanson	A63B 21/4029 482/142
2017/0259109	A1 *	9/2017	McJames, II	A63B 21/4033
2019/0151699	A1 *	5/2019	Isom	A63B 21/00047

OTHER PUBLICATIONS

Flybird, announced 2018 [online], [site visited Aug. 6, 2021]. Available on internet: https://www.amazon.com/FLYBIRD-Adjustable-Workout-Multi-Purpose-Foldable/dp/B07DNY8W/ref=sr_1_1_sspa?dchild=1&keywords=adjustable+bench&qid=1628192107&smid=A2HKE9FMRX8ZH4&sr=8-1-spons&psc=1&spLa=ZW5jcnlwdGVkUXVhbGlmaWVyPUEzVVpQVEdlTElQUdIGJmVuY3J5cHRlZElkPUEwNDYzMDU4OFhFV1NTQzE0STRBjMmVuY3J5cHRlZEFkSWQ9QTazNDA5NTg3N0U4SjBINjRURjgmd2lkZ2V0TmFtZT1zcF9hdGYmYWN0aW9uPWNsaWNrUmVkaXJlY3QmZG9Ob3Rmb2dDbGljaz10cnVI (Year: 2018).*

* cited by examiner

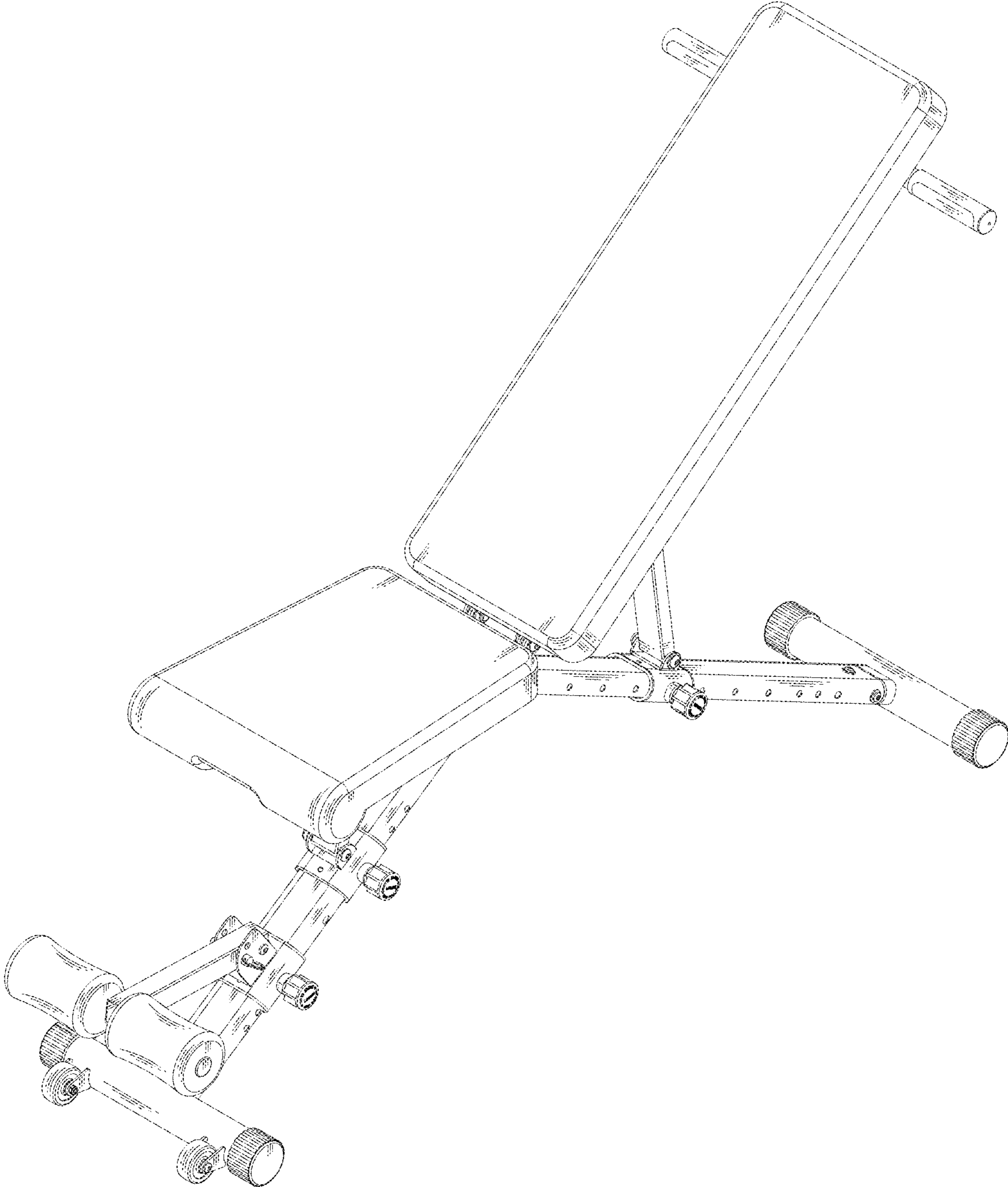


FIG. 1

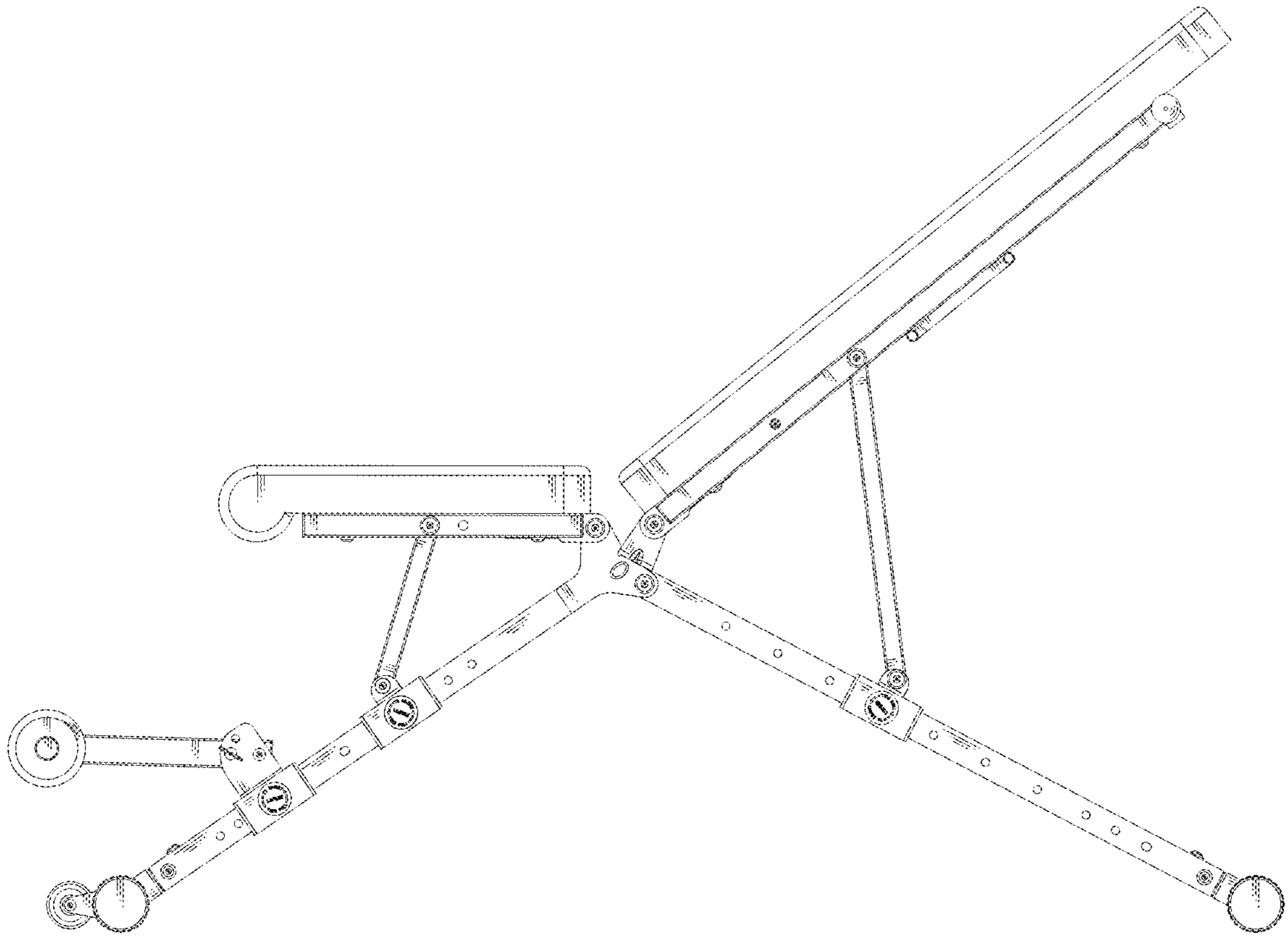


FIG. 2

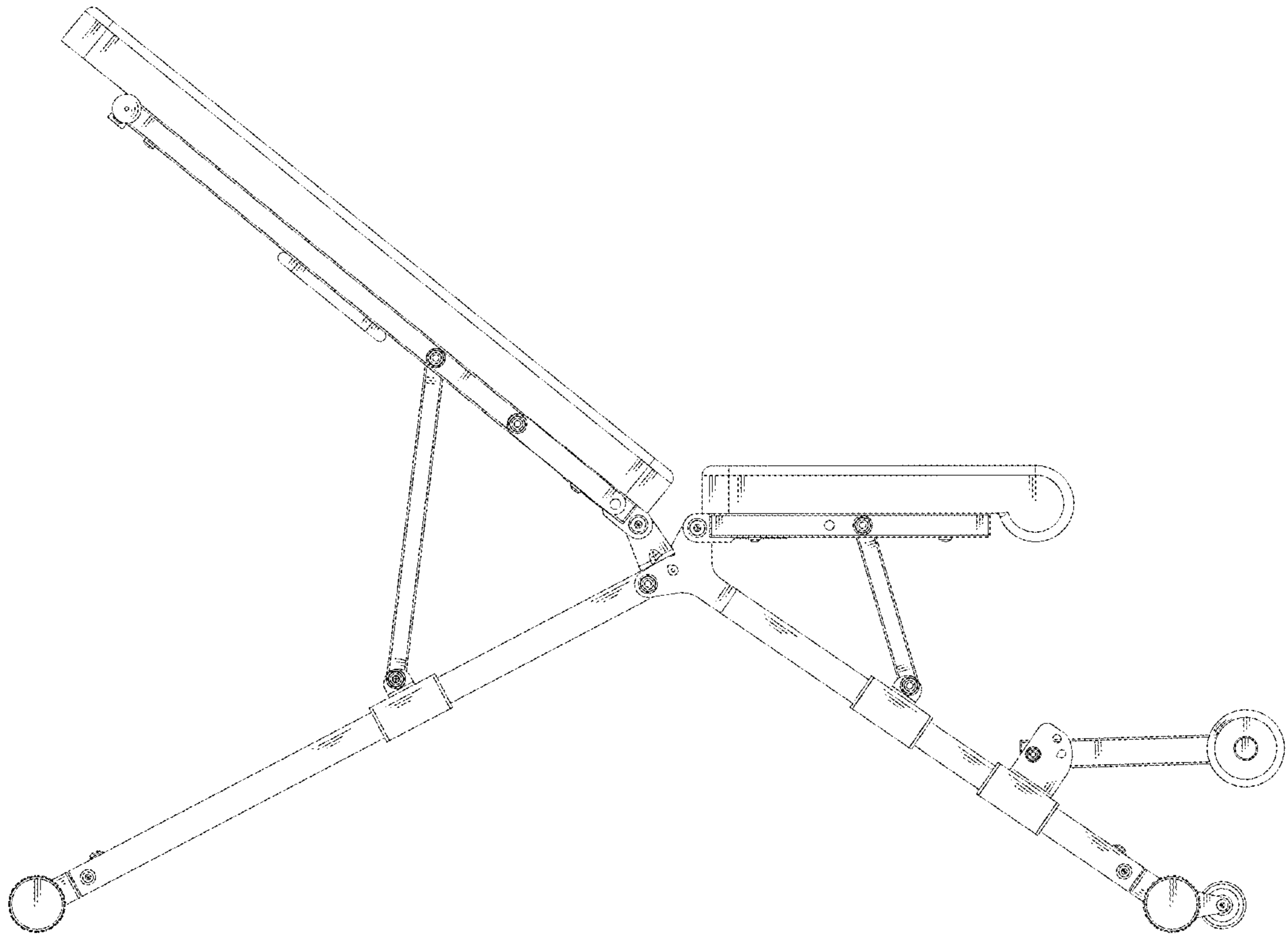


FIG. 3

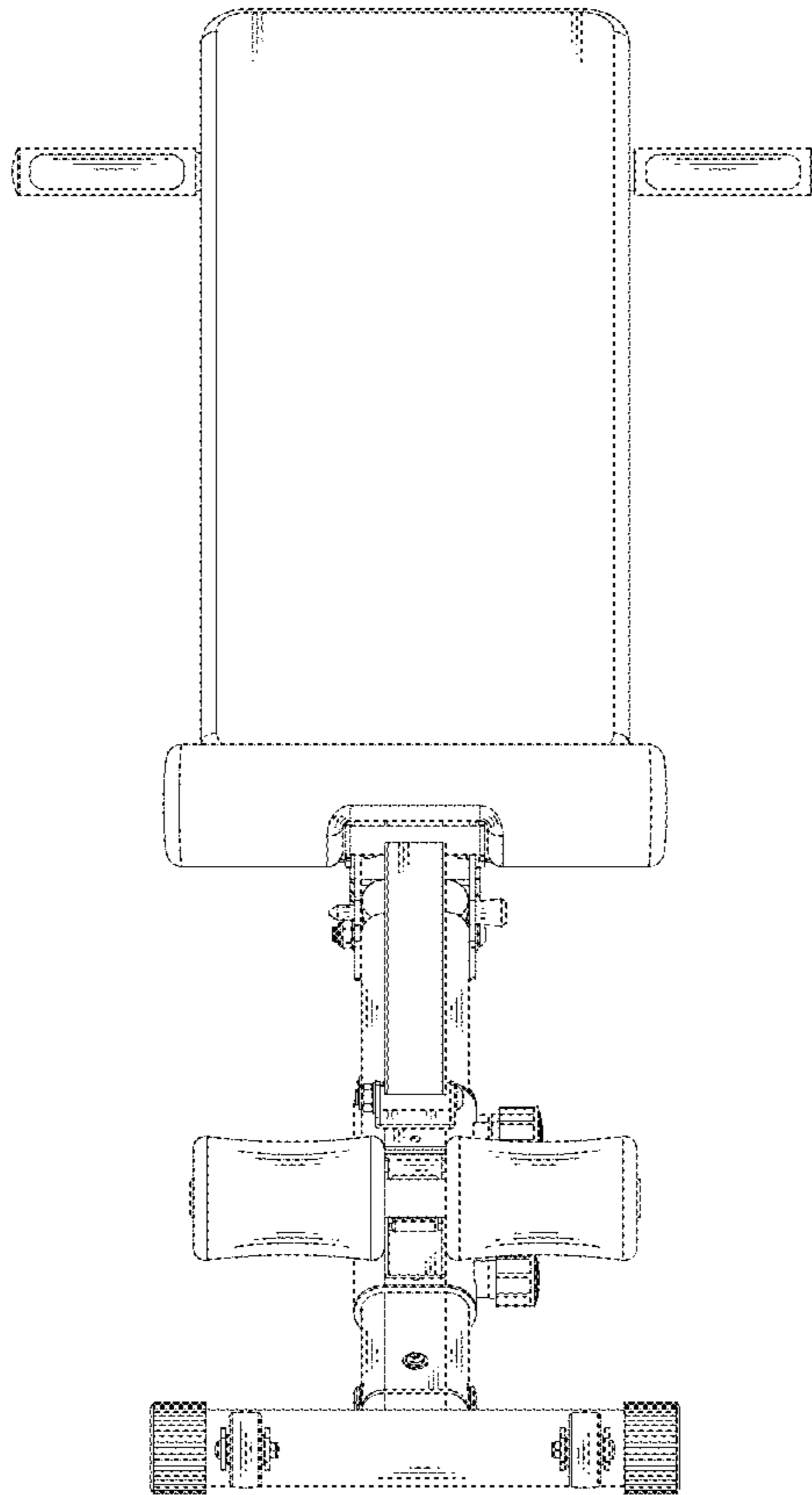


FIG. 4

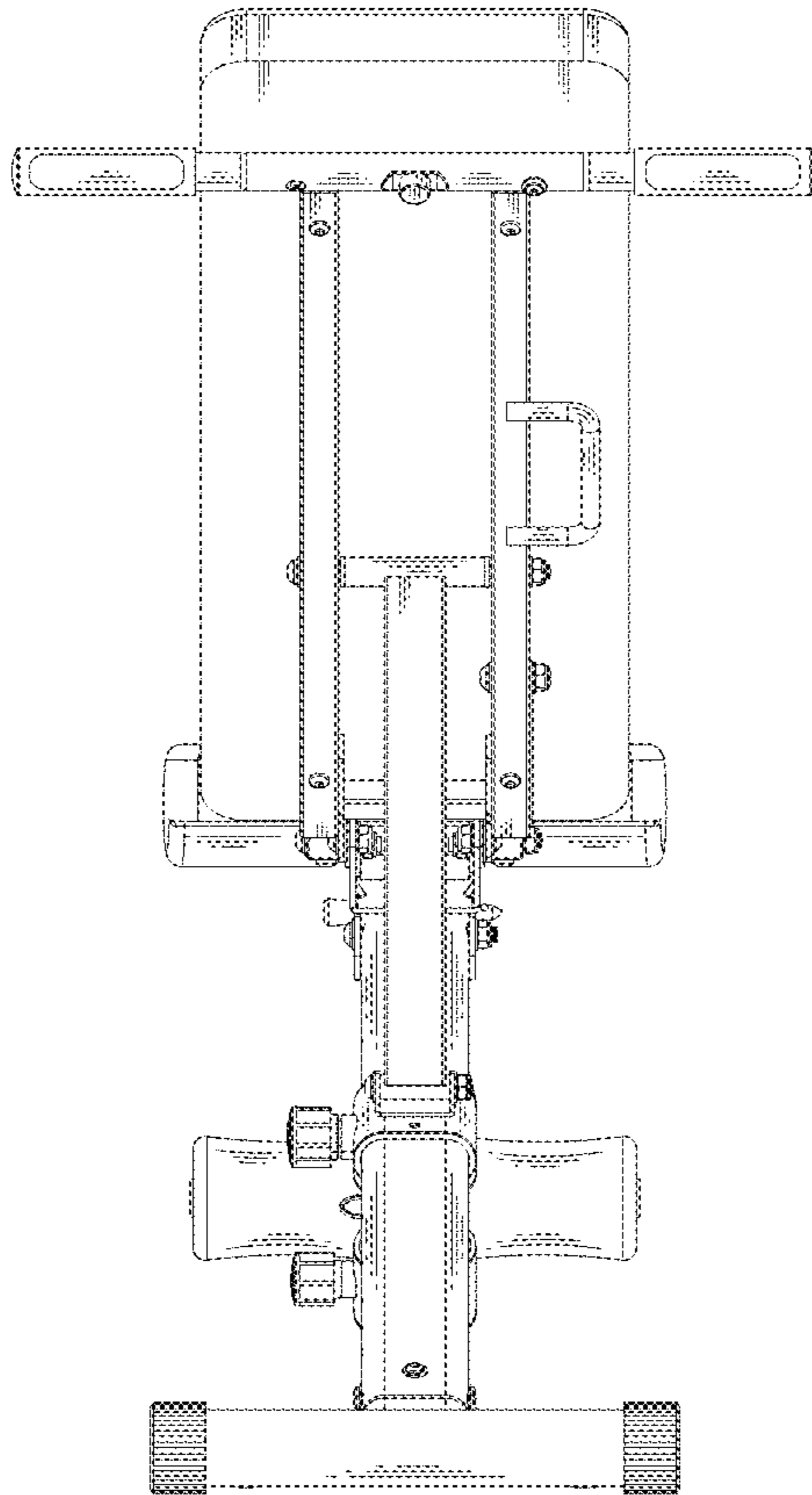


FIG. 5

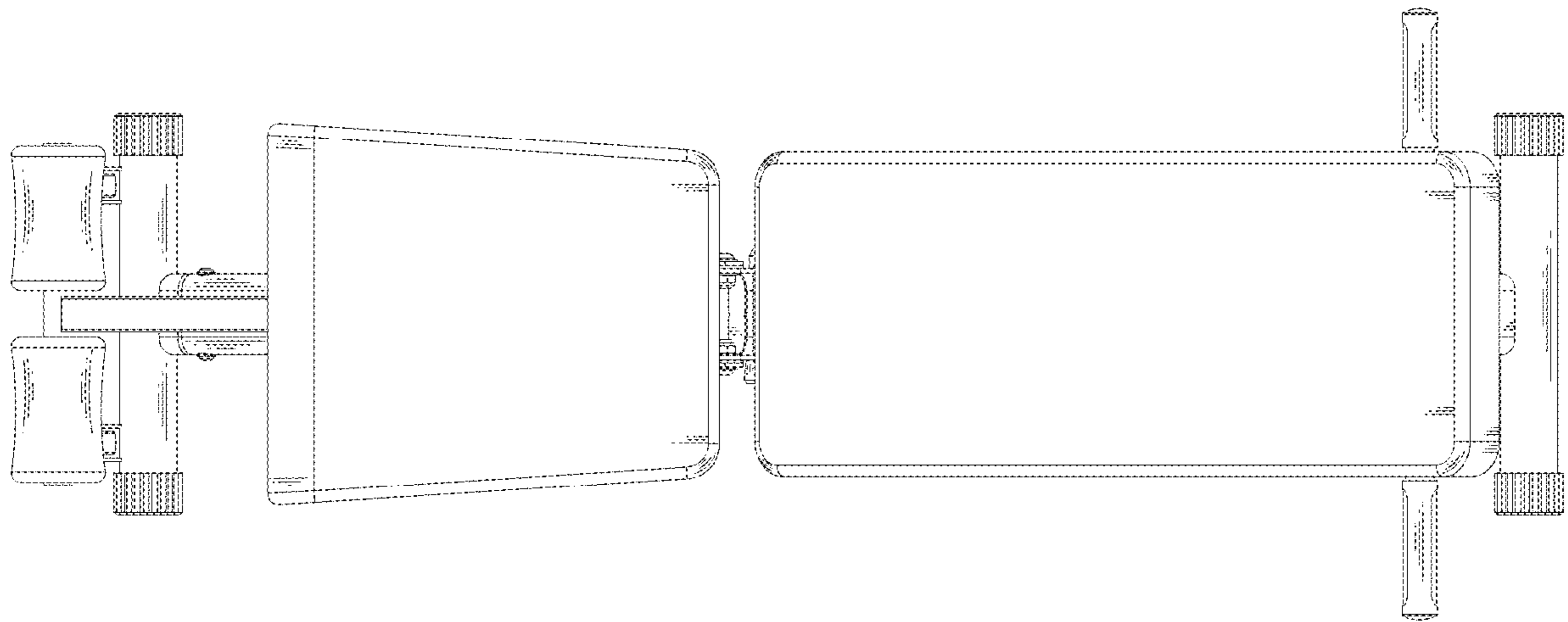


FIG. 6

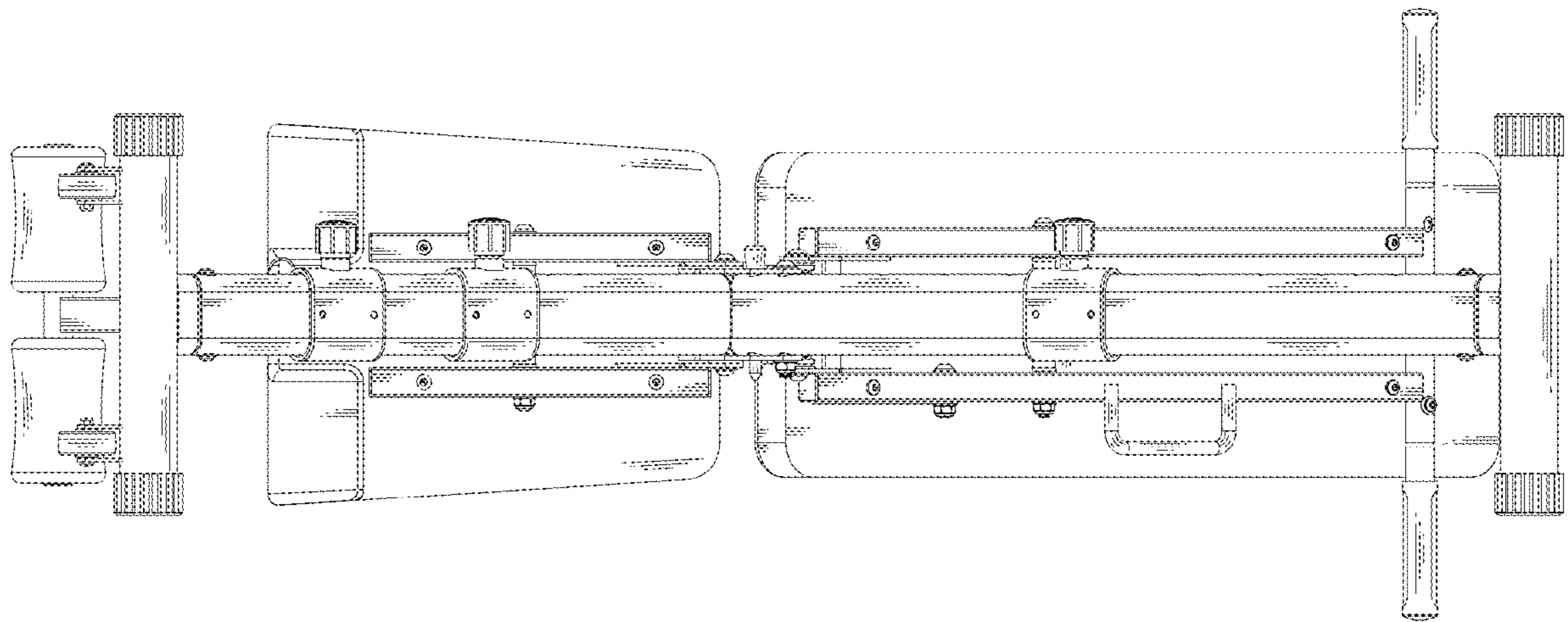


FIG. 7