



US00D933762S

(12) **United States Design Patent** (10) **Patent No.:** **US D933,762 S**
Wang (45) **Date of Patent:** **** Oct. 19, 2021**

(54) **BENCH**

(71) Applicant: **ALL MARKET UNITED STATES LIMITED**, Newark, DE (US)

(72) Inventor: **Yunjia Wang**, Shanghai (CN)

(73) Assignee: **ALL MARKET UNITED STATES LIMITED**, Newark, DE (US)

(**) Term: **15 Years**

(21) Appl. No.: **29/737,053**

(22) Filed: **Jun. 4, 2020**

(51) **LOC (13) Cl.** **21-02**

(52) **U.S. Cl.**
USPC **D21/687**

(58) **Field of Classification Search**
USPC D21/687, 690, 662; D6/334, 342, 349,
D6/352, 353, 354, 373, 377, 652.2, 653,
D6/653.1, 657, 659, 668, 668.2, 671.1,
D6/675, 684, 705.1

See application file for complete search history.

(56) **References Cited**

U.S. PATENT DOCUMENTS

D277,219 S *	1/1985	Johnson	D21/690
D406,290 S *	3/1999	McBride	D21/690
D425,153 S *	5/2000	Grider	D21/676
6,287,243 B1 *	9/2001	Isom	A63B 21/078 482/104
D455,803 S *	4/2002	Webber	D21/686
6,605,023 B1 *	8/2003	Mobley	A63B 21/078 482/142
7,331,912 B2 *	2/2008	Keiser	A63B 21/4029 482/142
9,707,438 B2 *	7/2017	Vorozilchak	A63B 21/0724
D806,809 S *	1/2018	Orellana	D21/687
D820,362 S *	6/2018	Citterio	D21/687
D907,144 S *	1/2021	Zhao	D21/690
2006/0035772 A1 *	2/2006	Golesh	A63B 21/4031 482/142
2016/0114204 A1 *	4/2016	Swanson	A63B 21/4029 482/142
2017/0259109 A1 *	9/2017	McJames, II	A63B 21/4033
2019/0151699 A1 *	5/2019	Isom	A63B 21/00047

OTHER PUBLICATIONS

Barwing, announced May 2020 [online], [site visited Aug. 6, 2021]. Available on internet, URL: https://www.amazon.com/dp/B07WDHNKKB/ref=sspa_dk_detail_3?pd_rd_i=B07WDHNKKB&pd_rd_w=PegLh&pf_rd_p=9fd3ea7c-b77c-42ac-b43b-c872d3f37c38&pd_rd_wg=GpRv0&pf_rd_r=98BP79DHKYJN718QEMPF&pd_rd_r=61139224-7a7f-4f0b-b9b7-9ec9465e7181&spLa=ZW5jcnlwdGVkUXVhbGlmaWVyPUEyMFIkPUEwNDQwOTM1MjJNSTVXUEXaWEkwUiZlbnNyeXB0ZWZkZk05vdExvZ0NsaWNrPXRydWU&th=1&spLa=ZW5jcnlwdGVkUXVhbGlmaWVyPUEzVVpQVEdlTElQUdIGJmVuY3J5cHRIZEikPUEwNDYzMDU4OFhFV1NTQzE0STRBJmVuY3J5cHRIZEFkSWQ9QTazNDA5NTg3N0U4SjBINjRURjgmd2lkZ2V0TmFtZT1zcF9hdGYmYWN0aW9uPWNsaWNrUmVkaXJlY3QmZG9Ob3RmM2dDbGljaz10cnVI (Year: 2018).*

Flybird, announced 2018 [online], [site visited Aug. 6, 2021]. Available on internet: https://www.amazon.com/FLYBIRD-Adjustable-Workout-Multi-Purpose-Foldable/dp/B07DNYJ8W/ref=sr_1_1_sspa?dchild=1&keywords=adjustable+bench&qid=1628192107&smid=A2HKE9FMRX8ZH4&sr=8-1-spons&psc=1 (Year: 2018).*

* cited by examiner

Primary Examiner — Khawaja Anwar

Assistant Examiner — Julice Seung Eun Oum

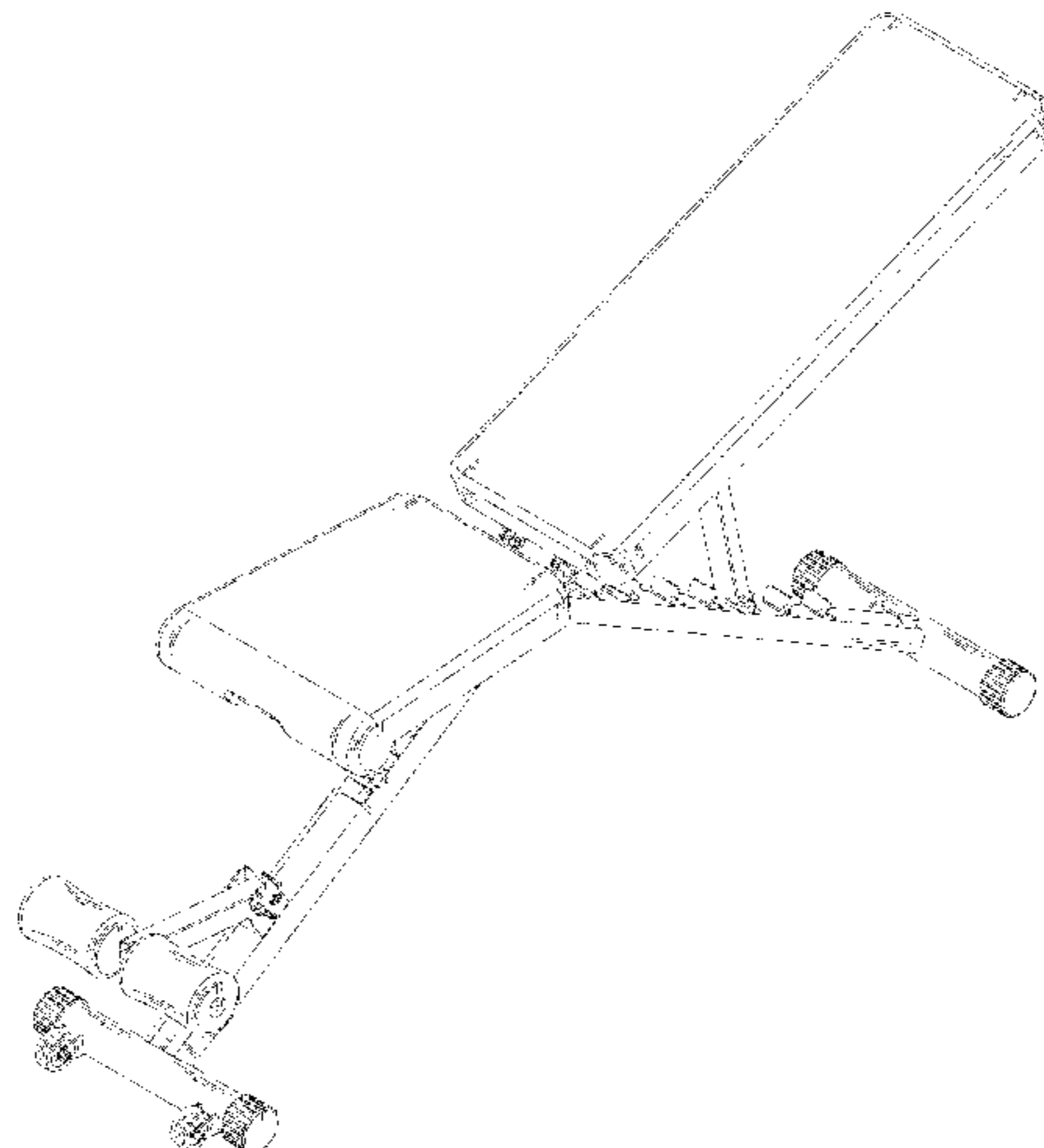
(57) **CLAIM**

The ornamental design for a bench, as shown and described.

DESCRIPTION

FIG. 1 is a perspective view of the bench showing my new design;
FIG. 2 is a front elevational view thereof;
FIG. 3 is a rear elevational view thereof;
FIG. 4 is a left side elevational view thereof;
FIG. 5 is a right side elevational view thereof;
FIG. 6 is a top plan view thereof; and,
FIG. 7 is a bottom plan view thereof.

1 Claim, 7 Drawing Sheets



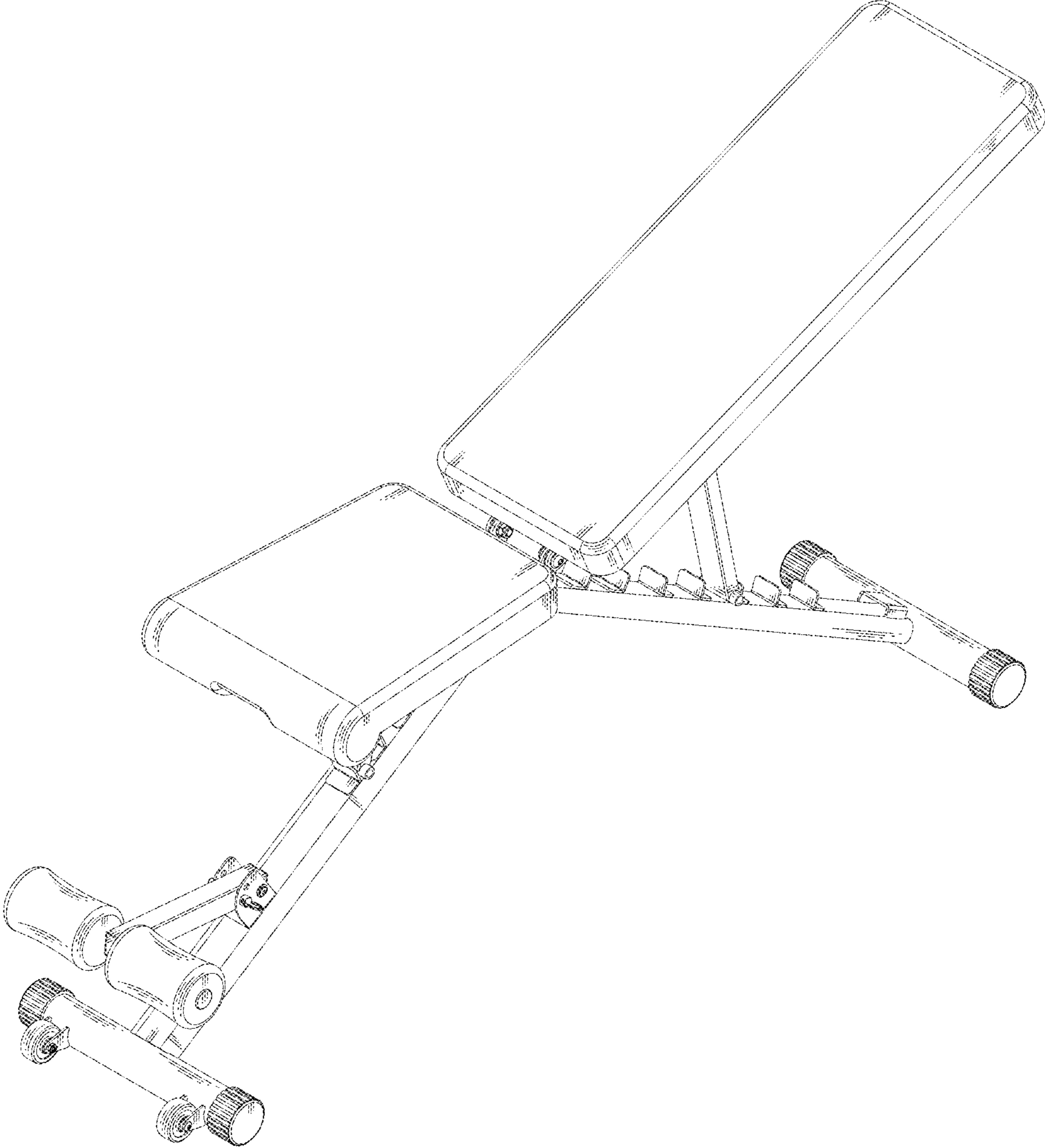


FIG. 1

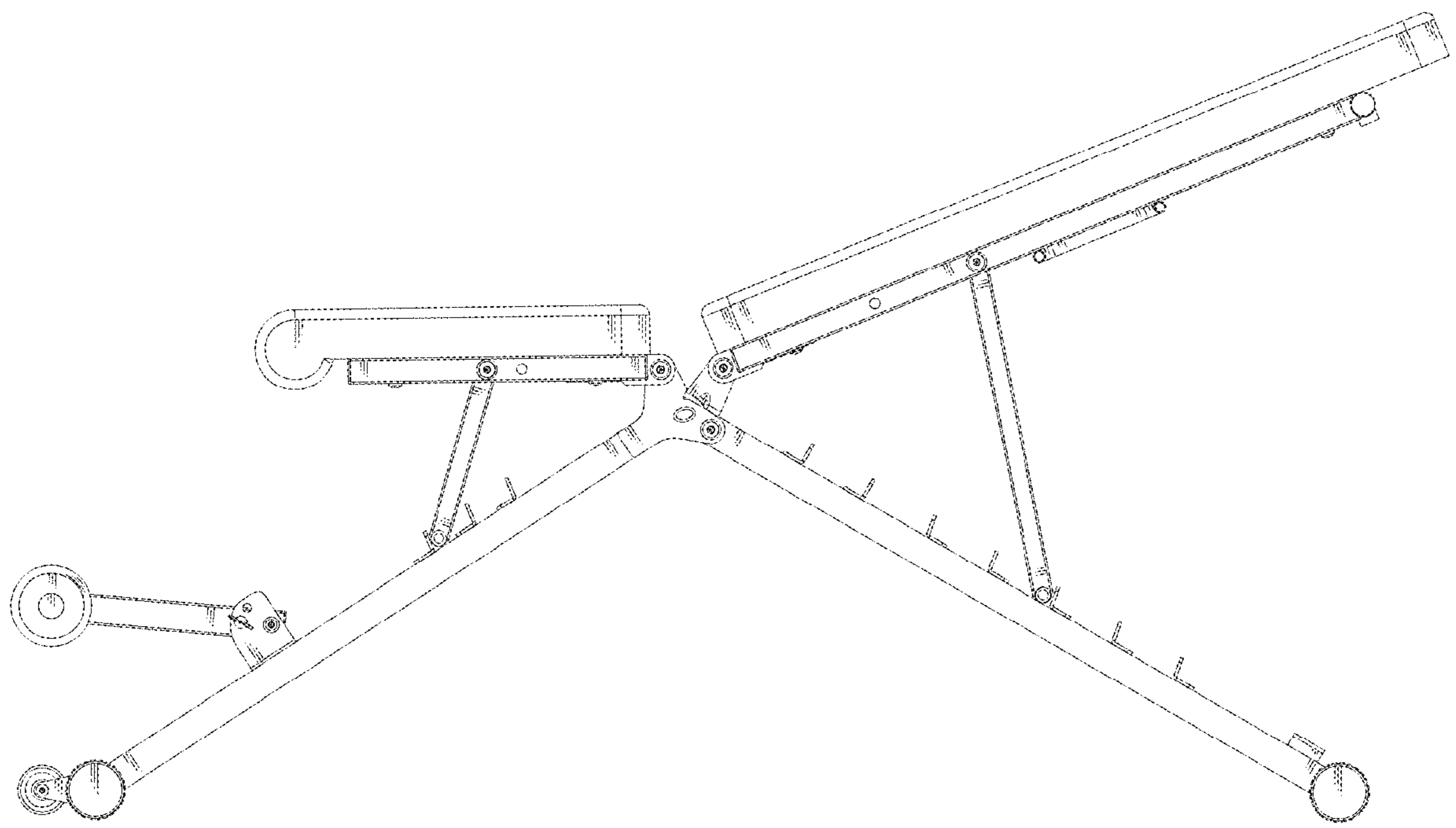


FIG. 2

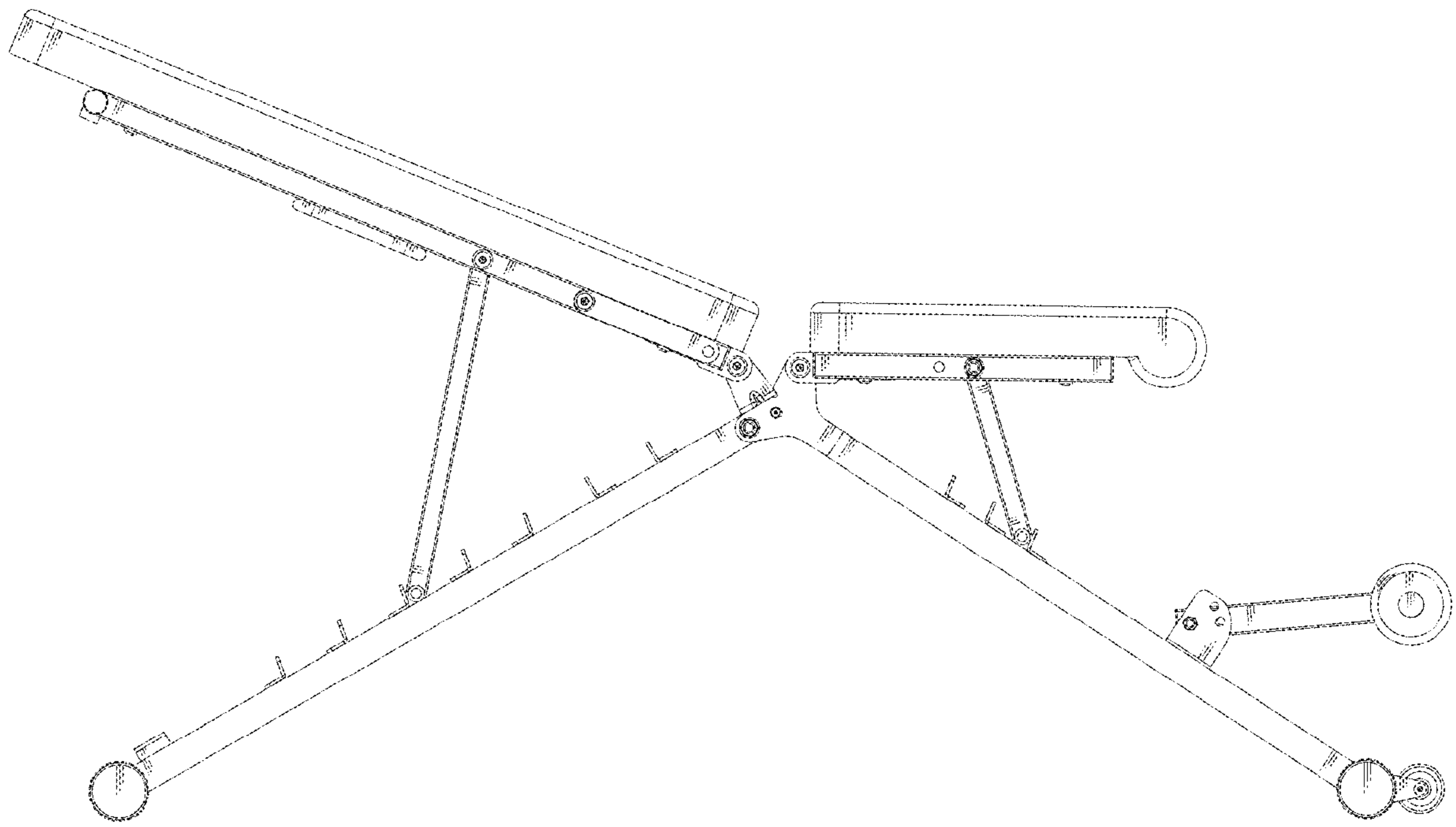


FIG. 3

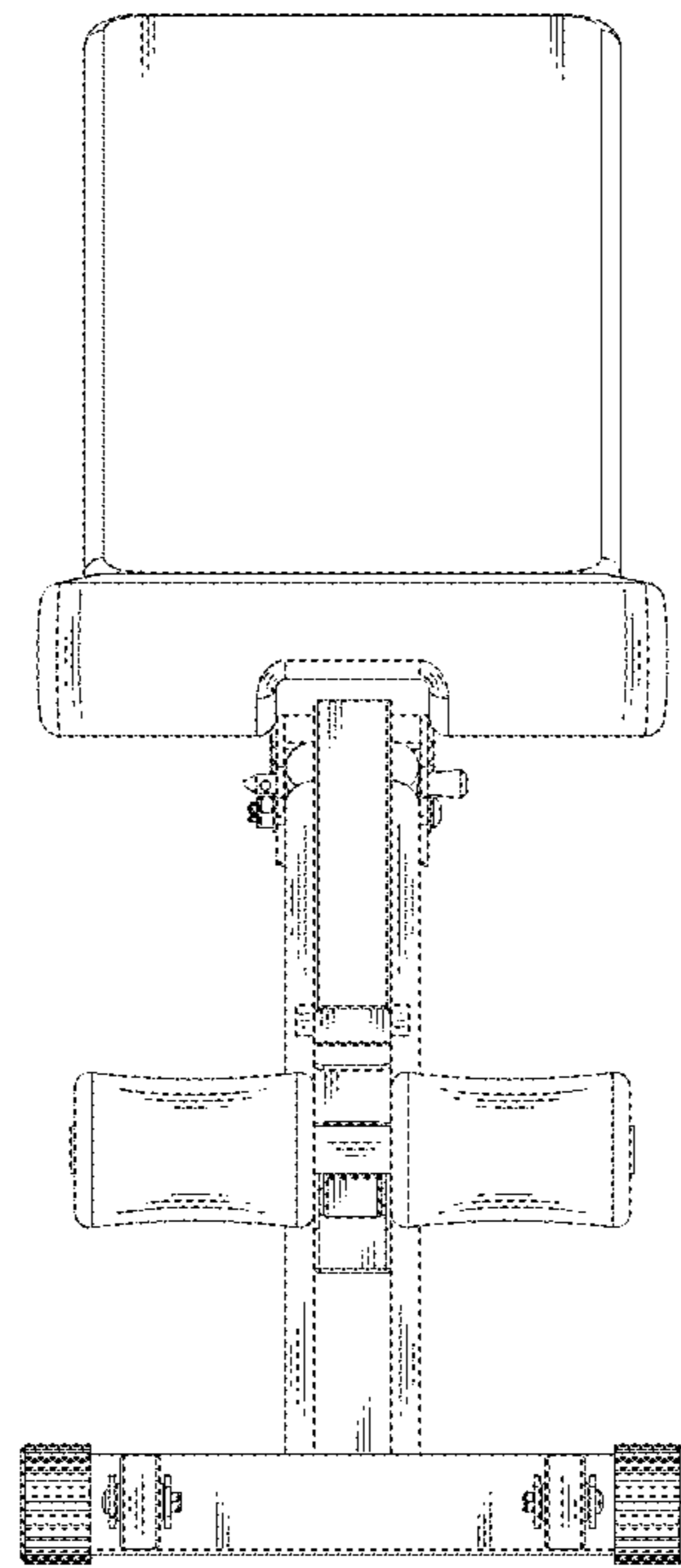


FIG. 4

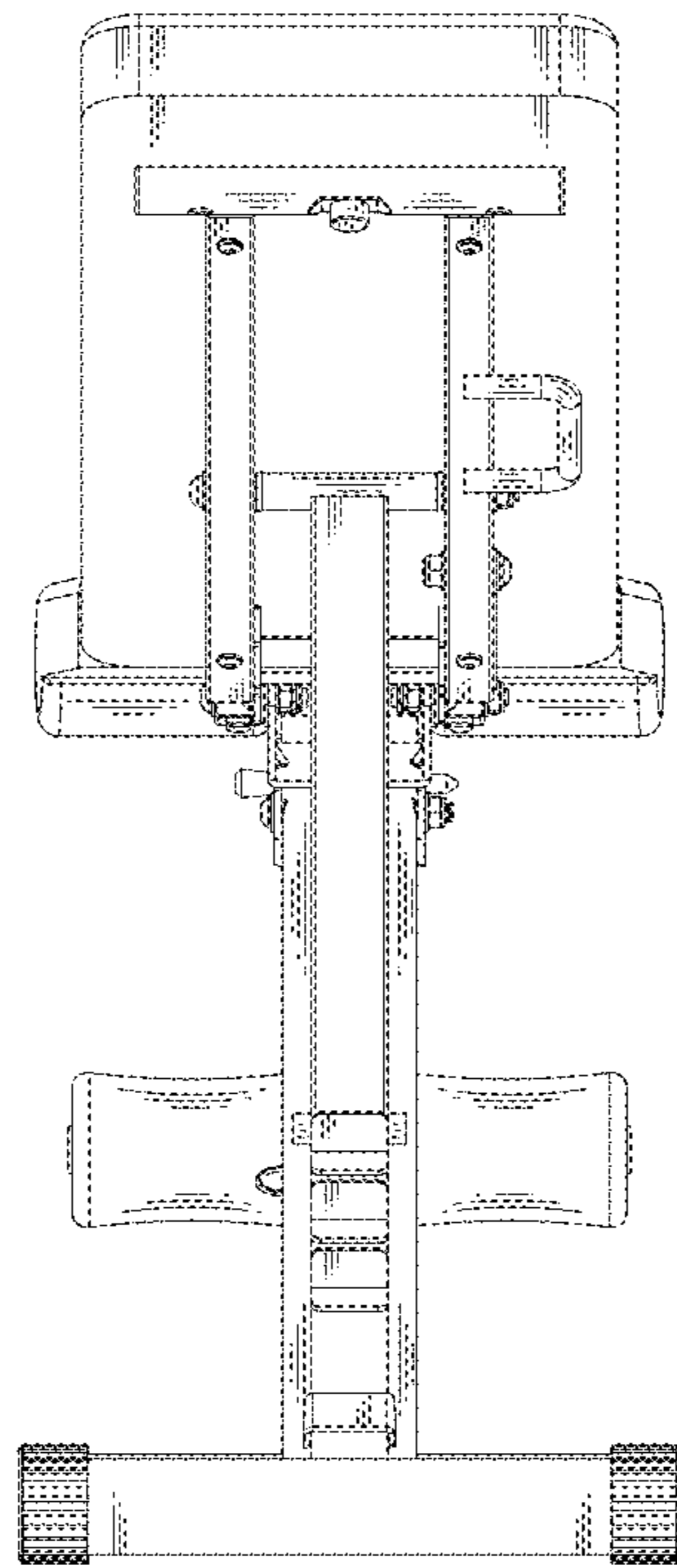


FIG. 5

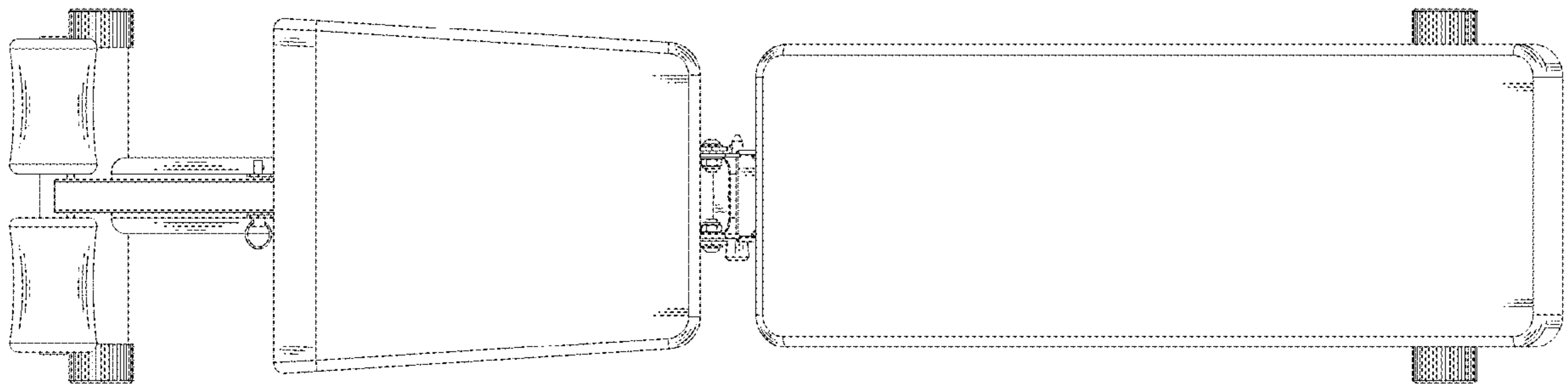


FIG. 6

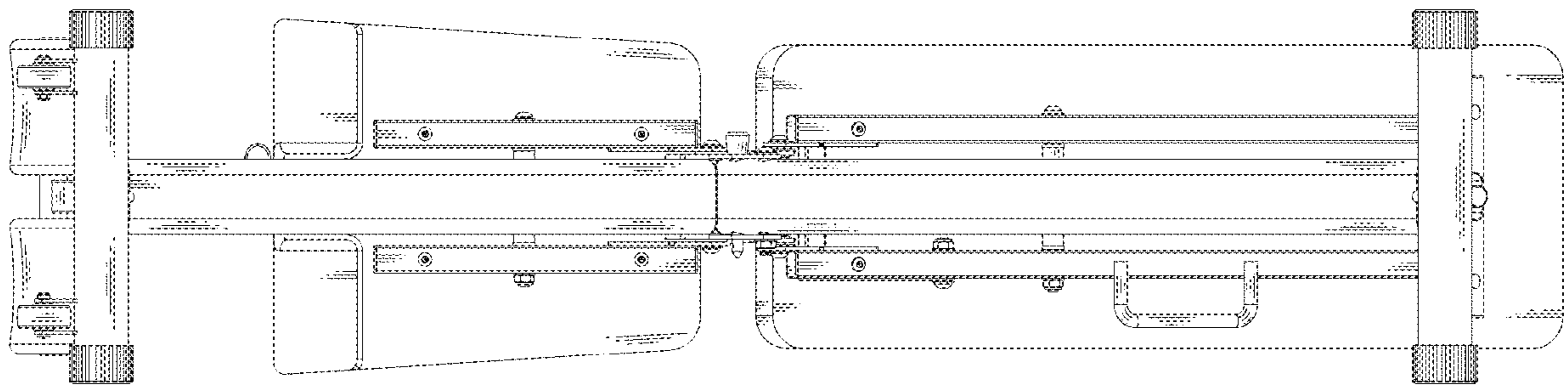


FIG. 7