



US00D933761S

(12) **United States Design Patent** (10) **Patent No.:** **US D933,761 S**
Jones (45) **Date of Patent:** **** Oct. 19, 2021**

- (54) **WEIGHT PLATE**
- (71) Applicant: **Coulter Ventures, LLC.**, Columbus, OH (US)
- (72) Inventor: **Dylan Jones**, Santa Barbara, CA (US)
- (73) Assignee: **Coulter Ventures, LLC.**, Columbus, OH (US)
- (**) Term: **15 Years**
- (21) Appl. No.: **29/751,406**
- (22) Filed: **Sep. 21, 2020**

424,140 A 3/1890 Lincir
 424,639 A 4/1890 Rojas et al.
 428,947 A 5/1890 Harms et al.
 433,468 A 8/1890 Rojas et al.
 (Continued)

FOREIGN PATENT DOCUMENTS

CN 3191234 6/2001
 CN 2512467 Y 9/2002
 (Continued)

OTHER PUBLICATIONS

Product listing for Cap 12-sided Olympic Rubber Coated Grip Plate from <<https://web.archive.org/web/20170621232634/http://capbarbell.com/cap-barbell-12-sided-2-rubber-grip-plate/>>, dated Jun. 21, 2017.
 (Continued)

Related U.S. Application Data

- (63) Continuation of application No. 29/672,555, filed on Dec. 6, 2018, now Pat. No. Des. 896,901.
- (51) **LOC (13) Cl.** **21-01**
- (52) **U.S. Cl.**
 USPC **D21/681; D21/680**
- (58) **Field of Classification Search**
 USPC D12/175, 202, 204, 207, 604; D21/662, D21/680-682, 684; D25/113-118, 138, D25/151
 CPC A63B 21/0608; A63B 21/0728; A63B 21/075; A63B 21/06
 See application file for complete search history.

Primary Examiner — Michael C Stout
Assistant Examiner — Melvin L Davis
 (74) *Attorney, Agent, or Firm* — Banner & Witcoff, Ltd.

(57) **CLAIM**

The ornamental design for a weight plate, as shown and described.

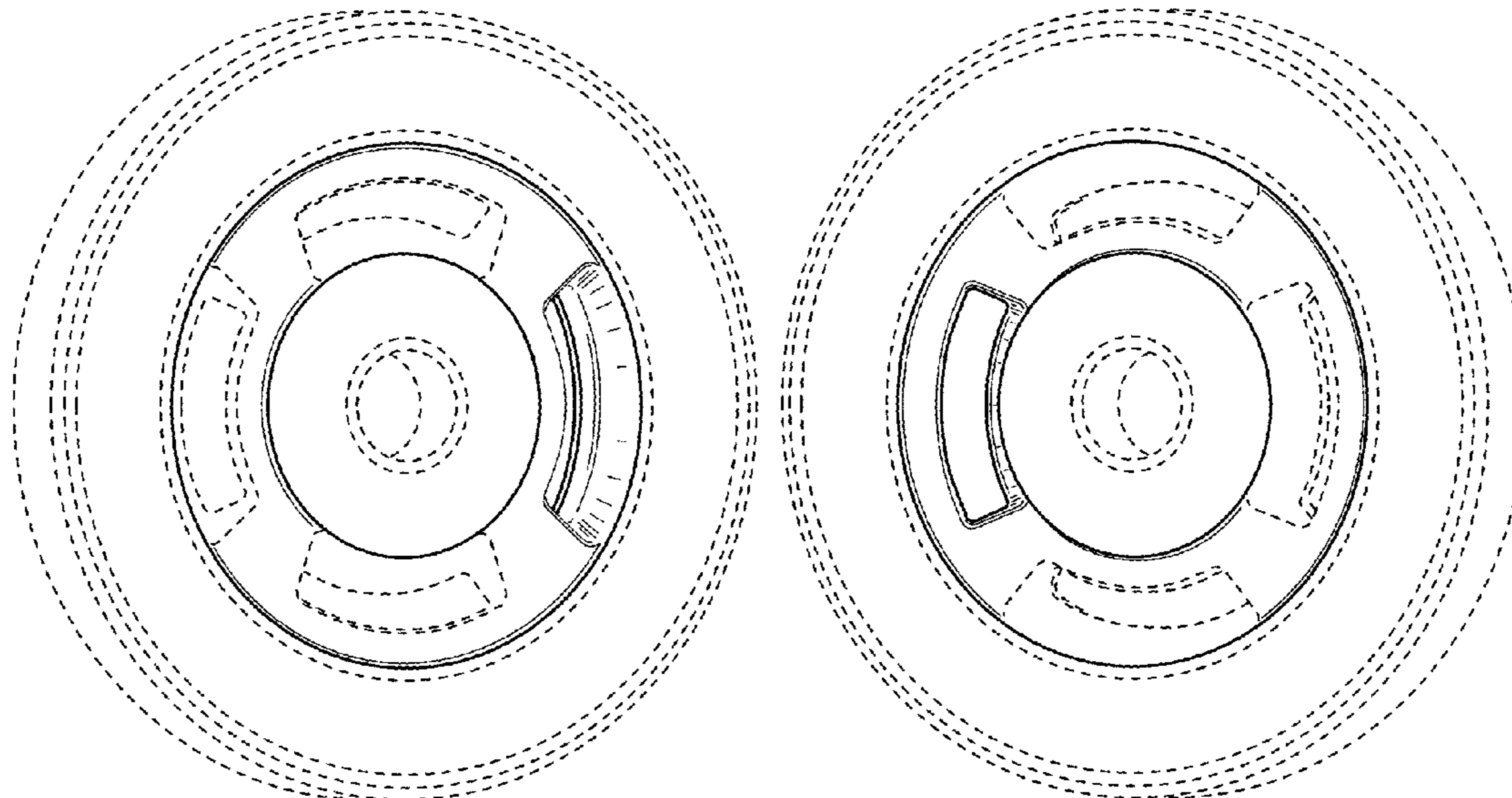
DESCRIPTION

FIG. 1 is a front perspective view of a weight plate showing my new design;
 FIG. 2 is a rear perspective view thereof;
 FIG. 3 is a front view thereof;
 FIG. 4 is a rear view thereof;
 FIG. 5 is a right side view thereof;
 FIG. 6 is a left side view thereof;
 FIG. 7 is a top view thereof; and,
 FIG. 8 is a bottom view thereof.
 The broken lines depicting the remainder of the weight plate show portions that form no part of the claimed design.

(56) **References Cited**
U.S. PATENT DOCUMENTS

354,322 A	12/1886	Vodhanel, Jr.
355,007 A	12/1886	Rojas et al.
394,685 A	12/1888	Eckmann
405,484 A	6/1889	Rojas et al.
406,183 A	7/1889	Zovich
409,266 A	8/1889	Rojas et al.
409,695 A	8/1889	Rojas et al.
421,076 A	2/1890	Lincir

1 Claim, 3 Drawing Sheets



(56)

References Cited

U.S. PATENT DOCUMENTS

433,469 A 8/1890 Rojas et al.
 433,720 A 8/1890 Rojas et al.
 433,721 A 8/1890 Rojas et al.
 434,090 A 8/1890 Wallace et al.
 437,015 A 9/1890 Rojas et al.
 439,290 A 10/1890 Rojas et al.
 441,412 A 11/1890 Rojas et al.
 441,812 A 12/1890 Rojas et al.
 442,239 A 12/1890 Rojas et al.
 442,240 A 12/1890 Rojas et al.
 445,153 A 1/1891 Lincir
 445,154 A 1/1891 Lincir
 445,854 A 2/1891 Harms et al.
 446,265 A 2/1891 Lincir
 446,559 A 2/1891 Lincir
 448,055 A 3/1891 Lien et al.
 450,361 A 4/1891 Harms et al.
 451,158 A 4/1891 Lincir
 451,159 A 4/1891 Rojas et al.
 451,160 A 4/1891 Rojas et al.
 454,167 A 6/1891 Lincir
 463,001 A 11/1891 Buchanan
 474,517 A 5/1892 Harms
 476,383 A 6/1892 Chen
 483,083 A 9/1892 Allshouse et al.
 502,514 A 8/1893 Buchanan et al.
 516,639 A 3/1894 Hamilton
 562,415 A 6/1896 Xu et al.
 562,919 A 6/1896 Hillson
 566,207 A 8/1896 Cao
 566,208 A 8/1896 Alessandri et al.
 566,209 A 8/1896 Alessandri et al.
 568,423 A 9/1896 Y'shua et al.
 572,320 A 12/1896 Davies, III
 573,207 A 12/1896 Davies, III
 573,208 A 12/1896 Davies, III
 606,133 A 6/1898 Lien
 615,605 A 12/1898 Frasco et al.
 639,874 A 12/1899 Hillson
 643,075 A 2/1900 Childs
 662,558 A 11/1900 Lovegrove et al.
 673,230 A 4/1901 Qin
 684,224 A 10/1901 Davies, III
 688,759 A 12/1901 Davies, III
 722,348 A 3/1903 Kessler
 749,177 A 1/1904 Childs
 751,157 A 2/1904 Irwin et al.
 777,266 A 12/1904 Davies, III
 798,968 A 9/1905 Lien
 5,137,502 A 8/1992 Anastasi
 D409,695 S * 5/1999 Rojas D21/680
 6,014,078 A 1/2000 Rojas et al.
 D421,076 S * 2/2000 Lincir D21/681
 D424,140 S 5/2000 Lincir
 D428,947 S 8/2000 Harms et al.
 D433,469 S 11/2000 Rojas et al.
 D433,720 S 11/2000 Rojas et al.
 D433,721 S 11/2000 Rojas et al.
 D434,090 S 11/2000 Wallace et al.
 D439,290 S 3/2001 Rojas et al.
 D442,654 S 5/2001 Buchanan
 D445,154 S 7/2001 Lincir
 D445,854 S 7/2001 Harms et al.
 D446,559 S 8/2001 Lincir
 D448,055 S * 9/2001 Lien D21/680
 D450,361 S 11/2001 Harms et al.
 D451,159 S * 11/2001 Rojas D21/680
 6,319,176 B1 11/2001 Landfair
 D454,167 S 3/2002 Lincir
 6,436,015 B1 8/2002 Frasco et al.
 D463,001 S 9/2002 Buchanan
 D474,517 S 5/2003 Harms
 D476,383 S 6/2003 Chen
 D483,083 S 12/2003 Allshouse et al.
 6,702,723 B2 3/2004 Landfair

6,736,765 B2 5/2004 Wallace et al.
 6,746,380 B2 6/2004 Lien et al.
 6,991,590 B2 1/2006 Vigiano
 D516,639 S 3/2006 Hamilton
 7,198,591 B2 4/2007 Lien
 7,207,929 B2 4/2007 Hamilton
 7,300,389 B2 11/2007 Lien et al.
 D562,415 S 2/2008 Xu et al.
 D562,919 S 2/2008 Hillson
 D566,208 S 4/2008 Alessandri et al.
 D566,209 S 4/2008 Alessandri et al.
 D573,208 S 7/2008 Davies, III
 7,517,305 B2 4/2009 Lien
 D606,133 S 12/2009 Lien
 D609,526 S 2/2010 Tuttle
 7,704,196 B2 4/2010 Lien et al.
 7,828,702 B2 11/2010 Lien et al.
 D639,874 S 6/2011 Hillson
 D660,928 S 5/2012 Guarrasi
 D673,230 S 12/2012 Qin
 D684,224 S 6/2013 Davies, III
 D692,969 S 11/2013 Davies, III
 D695,128 S 12/2013 Ozsinmaz
 D722,348 S * 2/2015 Kessler D21/680
 D732,613 S 6/2015 Davies, III
 D749,177 S 2/2016 Childs
 D751,157 S 3/2016 Irwin et al.
 9,358,414 B2 6/2016 Dephouse
 9,364,704 B1 6/2016 Kuka
 D771,205 S 11/2016 Davies, III
 D777,266 S 1/2017 Davies, III
 9,682,268 B2 6/2017 Breitzkreutz et al.
 D798,968 S 10/2017 Lien
 D802,689 S 11/2017 Lien
 10,005,317 B2 6/2018 Biderman et al.
 10,040,259 B2 8/2018 Lister et al.
 D831,134 S 10/2018 Hillson
 D842,399 S 3/2019 Arceta
 D842,941 S 3/2019 Brezovar
 D851,711 S 6/2019 Brezovar
 D852,637 S 7/2019 Becerra
 D854,636 S 7/2019 Nelson
 D896,901 S * 9/2020 Jones D21/681
 2002/0091044 A1 7/2002 Lien et al.
 2003/0083179 A1 5/2003 Landfair
 2004/0077466 A1 4/2004 Wallace et al.
 2004/0092370 A1 5/2004 Lincir
 2004/0166997 A1 8/2004 Vigiano
 2005/0026754 A1 2/2005 Lien et al.
 2006/0073948 A1 4/2006 Lincir
 2006/0211547 A1 9/2006 Lien
 2006/0293155 A1 12/2006 Hamilton
 2007/0027007 A1 2/2007 Frasco
 2007/0135271 A1 6/2007 Lien et al.
 2007/0142188 A1 6/2007 Lien
 2007/0184943 A1 8/2007 Davies
 2008/0153678 A1 6/2008 McClusky
 2009/0048079 A1 2/2009 Nalley
 2009/0118105 A1 5/2009 Schiff
 2012/0094810 A1 4/2012 Anderson
 2013/0165300 A1 6/2013 Richards
 2014/0024504 A1 1/2014 Potts et al.
 2014/0256521 A1 9/2014 Davies, III
 2015/0011369 A1 1/2015 Peritz
 2015/0231441 A1 8/2015 Davies, III
 2016/0175640 A1 6/2016 Kempton
 2017/0113088 A1 4/2017 Hollingshead
 2017/0149269 A1 5/2017 Rojas et al.
 2017/0151460 A1 6/2017 Jennings et al.
 2018/0028857 A1 2/2018 Rothschild et al.
 2018/0272175 A1 9/2018 Henniger
 2019/0232100 A1 8/2019 Rothschild
 2020/0360755 A1 11/2020 Rothschild

FOREIGN PATENT DOCUMENTS

CN 303340060 8/2015
 CN 303896560 10/2016
 CN 304438760 1/2018

(56)

References Cited

FOREIGN PATENT DOCUMENTS

CN	305524546	12/2019
EM	003110402-0001	7/2016
EM	007065669-0001	10/2019
ES	1038081 U	5/1998

OTHER PUBLICATIONS

Product listing for Rogue 6-Shooter Urethane Olympic Grip Plates from <<https://web.archive.org/web/20170714033025/http://www.roguefitness.com:80/rogue-6-shooter-urethane-olympic-grip-plates>>, dated Jul. 14, 2017.

Cap Barbell Weight Plates listing from <<https://web.archive.org/web/20180103173524/http://capbarbell.com/strength/weight-plates>>, dated Jan. 3, 2018.

BodyRip Premium Pro (2x10kg) Olympic-Grip Rubber Plates: Published Mar. 24, 2014 [online], site visited Dec. 1, 2019, Available from Internet URL: https://www.amazon.co.uk/dp/B00J7S8ZGC/ref=cm_sw_r_tw_dp_U_x_Xof5DbXRFZ5AC (Year: 2014).

Viavito Tri Grip Vinyl Standard Weight Plates: Published Mar. 17, 2016 [online], site visited Dec. 1, 2019. Available from Internet URL: https://www.amazon.co.uk/dp/B01D3U5RXI/ref=cm_sw_r_tw_dp_U_x_epf5Db1B78TVQ (Year: 2016).

Bodypower 10kg Tri Grip Vinyl Standard (1 Inch) Weight Disc Plates: Published Jun. 10, 2013 [online], site visited Dec. 1, 2019. Available from Internet URL: https://www.amazon.co.uk/dp/B00E4WH2NS/ref=cm_sw_r_tx_dp_U_x_Fpf5DbMHT60MN (Year: 2013).

BodyRip Olympic Polygonal Weight Plates: Published Feb. 3, 2015 [online], site visited Dec. 1, 2019. Available from Internet URL: https://www.amazon.co.uk/dp/B00T4GM5W2/ref=cm_sw_r_tw_dp_U_x_ASg5DbMR69J5P (Year: 2015).

BodyRip Polygonal Weight Plates 1x10kg BodyRip: Published Feb. 7, 2014 [online], site visited Dec. 1, 2019. Available from Internet URL: https://www.amazon.co.uk/dp/B00IARQAWW/ref=cm_sw_r_tw_dp_U_x_5lf5DbXR685AX (Year: 2014).

Mar. 10, 2020 (WO) International Search Report & Written Opinion PCT/US2019/064237.

Ignite by Spri Weight Plates: Published 2017[online], site visited Dec. 1, 2019. Available from Internet URL: https://www.amazon.com/dp/B001F1Y1G/ref=cm_sw_r_tw_dp_U_x_MSN7DbQ7T67HB (Year: 2017).

Body Solid Rubber Grip Olympic Weight Plates (ORST255) Body-solid: Published Feb. 2, 2009 [online], site visited Dec. 1, 2019. Available from Internet URL: https://www.amazon.com/dp/B001FIY17C/ref=cm_sw_r_tw_dp_U_x_MSN7DbQ7T67H8 (Year: 2009).

Product listing for 2" Deep Dish Olympic Weight Plates, from <<https://yorkbarbell.com/product/deep-dish-olympic-plate/>>, dated Jul. 7, 2020.

Product listing for Apollo Athletics Deep Dish Olympic Plates, from <https://www.showmeweights.com/apollo-athletics-deep-dish-olympic-plates.html>, dated Jul. 7, 2020.

Photo of Olympic Standard Barbell Weight Plates, from https://www.picclickimg.com/d/1400/pict/132810172419_/Olympic-Standard-Barbell-Vintage-Deep-Dish-Weight-Plates.jpg, dated Jul. 7, 2020.

Product listing for 2" Hole Olympic Weights and Hampton Olympic Bars, from <<https://www.google.com/url?sa=i&url=http%3A%2F%2Fwww.shoppok.com%2Ftoledo%2Fa%2C39%2C138616%2C2-hole-Olympic-Weights-and-Hampton-Olympic-bars-Ypsilanti-mi-48197-.htm&psig=AOvVaw1beW0Nv1j4xfi64WvSomVK&ust=1592656917597000&source=images&cd=vfe&ved=0CAIQjRxqFwoTCMDE38HzjeoCFQAAAAAdAAAAABAJ>>, dated Jul. 7, 2020.

Photo of York Olympic Standard Barbell Weight Plates, from <https://external-preview.redd.it/Gell3ODNpQ8Rv7Xu1vfzNyPzFSSdljn9crrZ4i5T5-4.jpg?auto=webp&s=d87da24a6c3837e0e90f9c88b366c7781fb9f150>, dated Jul. 7, 2020.

A Guide to Buying Steel Powerlifting Plates & Discs, from <https://www.garage-gyms.com/steel-powerlifting-weight-plates-discs-guide-review/>, dated Nov. 16, 2017.

Photo of York Barbell Weight Plates, from [https://i.ebayimg.com/00/s/OTQzWDE2MDA=/z/FkEAAOSwi~deOkZf/\\$_3.JPG?set_id=8800005007](https://i.ebayimg.com/00/s/OTQzWDE2MDA=/z/FkEAAOSwi~deOkZf/$_3.JPG?set_id=8800005007), dated Jul. 7, 2020.

Photo of York Olympic Standard Barbell Weight Plate, from https://www.picclickimg.com/d/1400/pict/162970072869_/245-lbs-Vintage-Deep-Dish-York-made-in-USA-Olympic.jpg, dated Jul. 7, 2020.

Screen capture of Rogue Elephant Bar Deadlift—Full Live Stream | Arnold Strongman Classic 2020, from <https://www.youtube.com/watch?v=CuYsT9GeUmc&feature=emb_rel_pause>, dated Mar. 7, 2020.

Cap barbell , announced 2015 [online] [site visited Dec. 23, 2020]. Available from internet, URL: https://www.amazon.com/CAP-Barbell-Olympic-Sided-Single/dp/B00XP89NUW/ref=sr_1_67?dchild=1&keywords=OLYMPIC+WEIGHT+PLATE&qid=160875628&sr=8-67 (Year: 2015).

Ader sporting goods Olympic plate, announced 2013 [online], [site visited Dec. 21, 2020]. Available from internet, URL: https://www.amazon.com/Olympic-Plate-Machine-Finished-Pair/dp/B00D4YOPR8/ref=sr_1_90?dchild=1&keywords=CAP%2BWEIGHT%2BPLATE&qid=1608582870&sr=8-90&th=1&psc=1 (Year: 2013).

Cap barbell 45 lb gray olympic weight plate, announced 2017 [online], [site visited Dec. 21, 2020]. Available from internet, URL: https://www.amazon.com/CAP-Barbell-Olympic-Weight-Single/dp/B003070MZI/ref=sr_1_23?dchild=1&keywords=ROGUE+WEIGHT+PLATE&qid=1608582701&sr=8-23 (Year: 2017).

* cited by examiner

FIG. 1

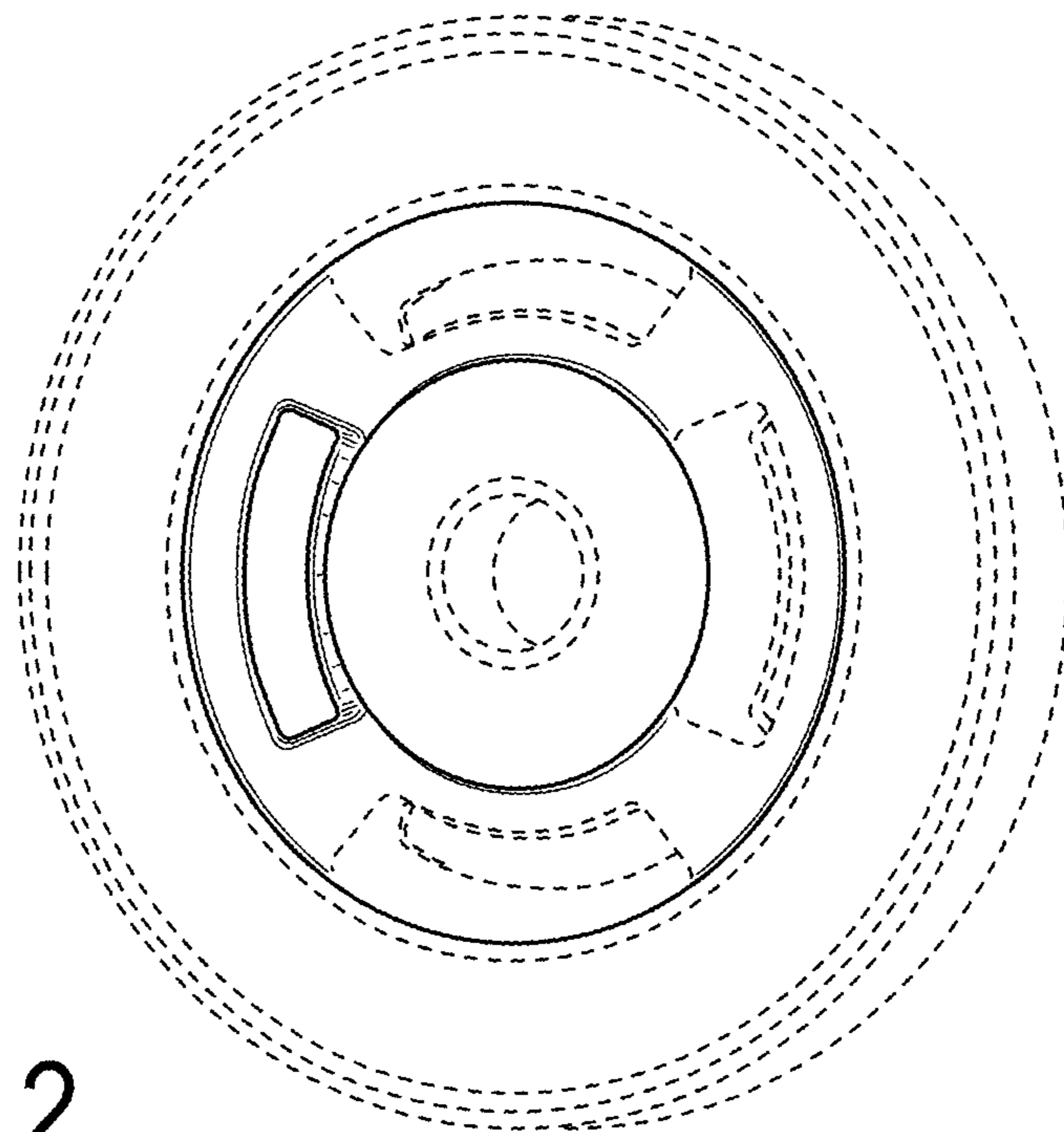
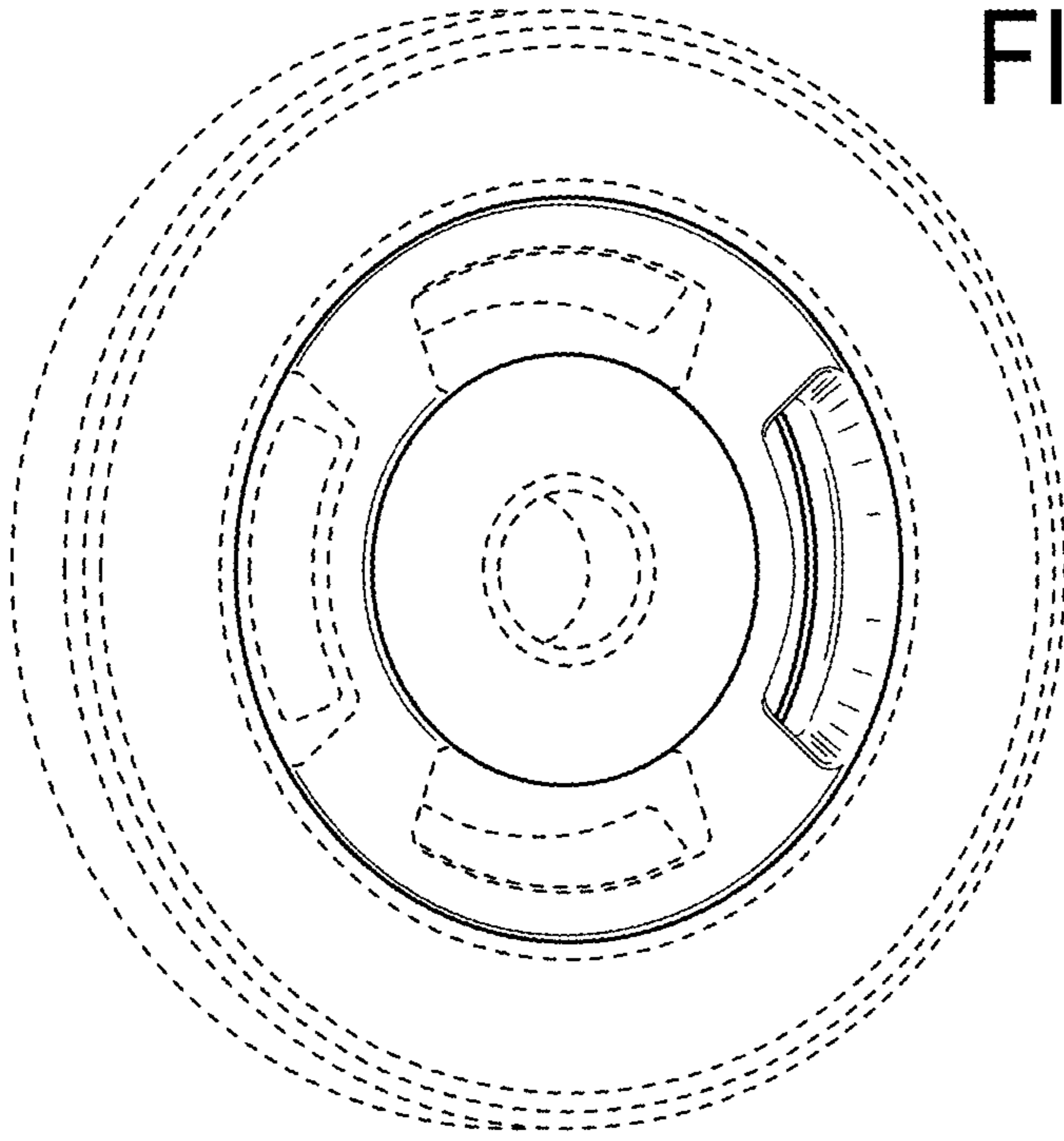


FIG. 2

FIG. 3

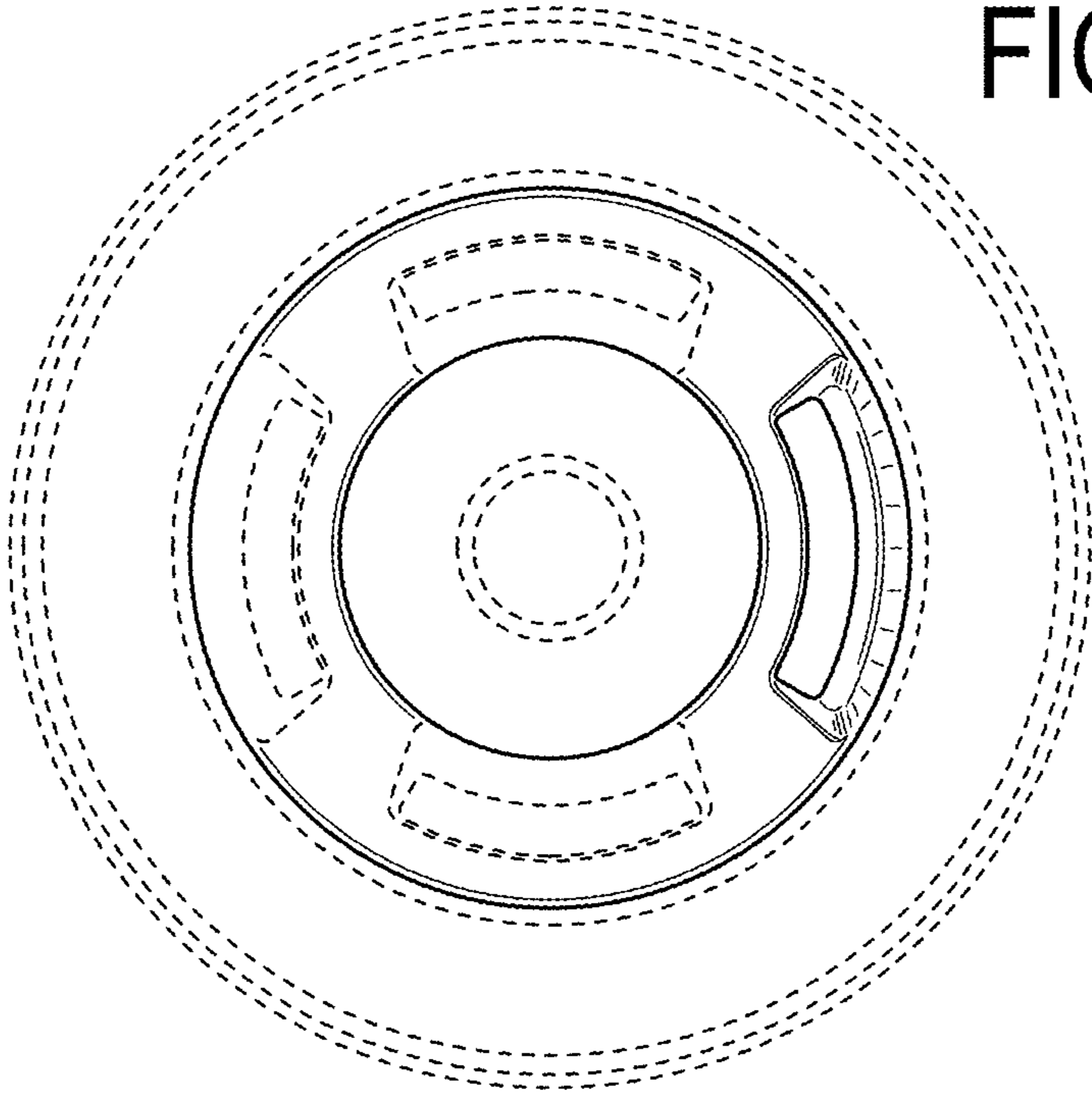
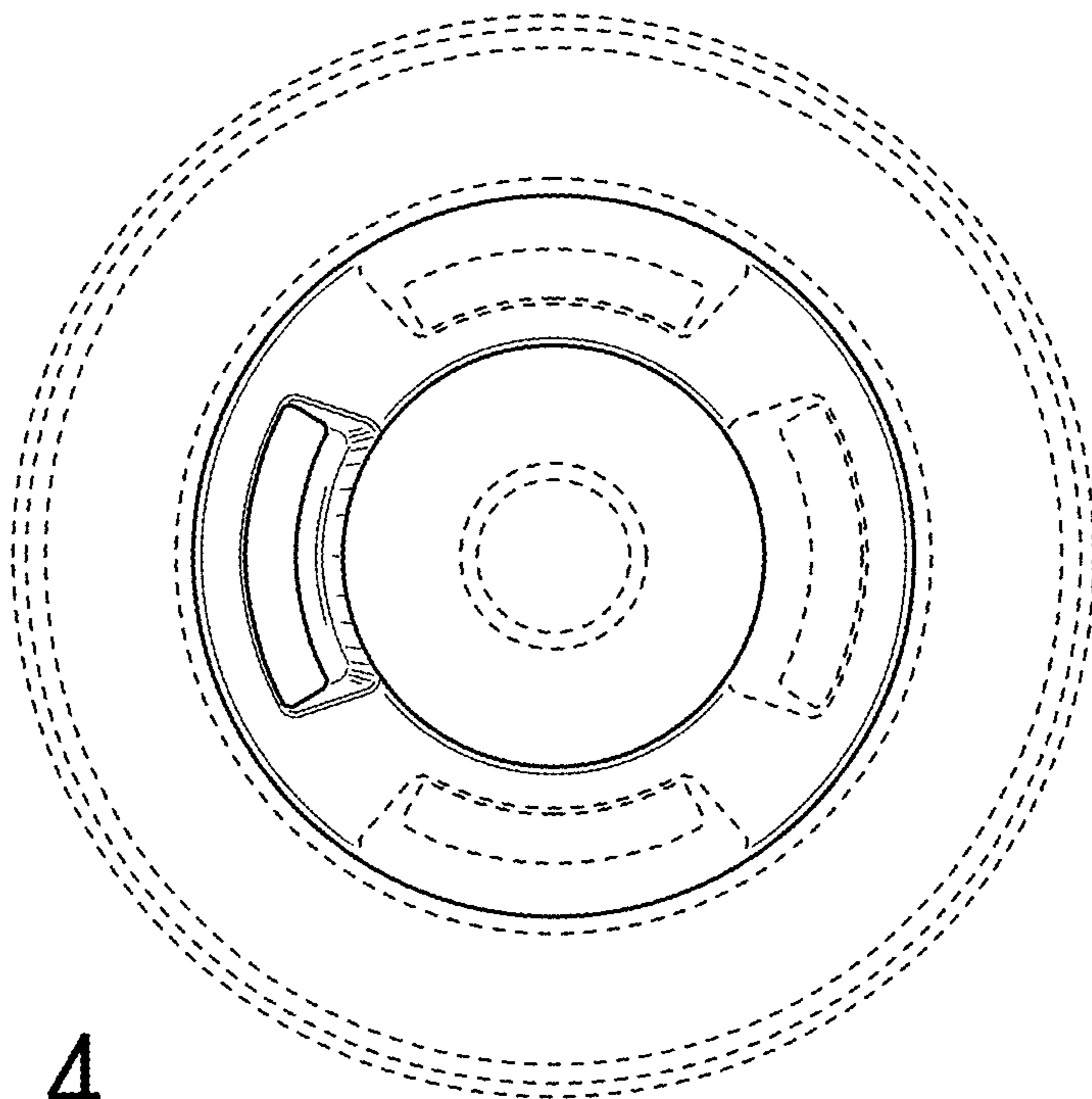


FIG. 4



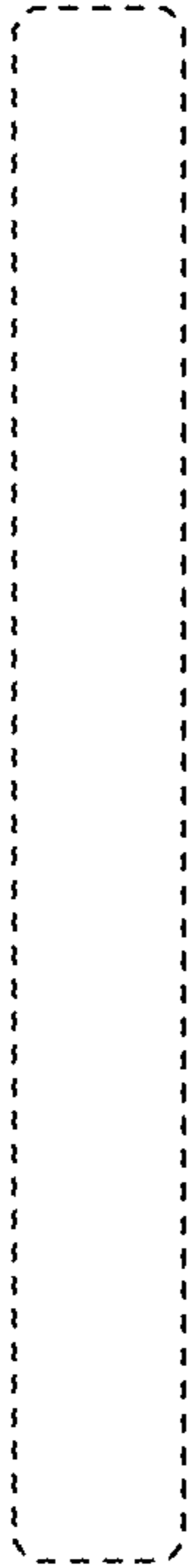


FIG. 5

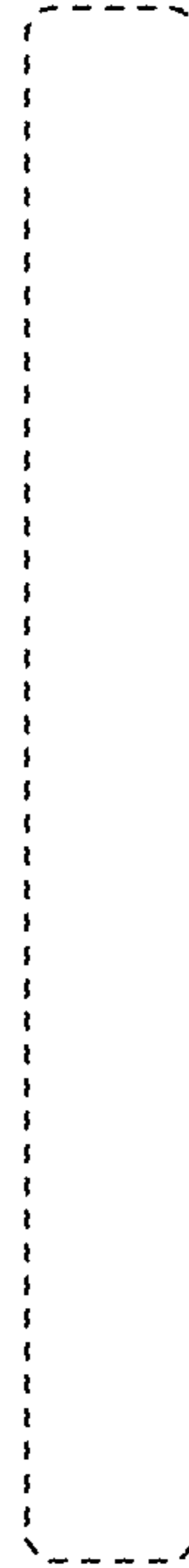


FIG. 6



FIG. 7



FIG. 8