



US00D933760S

(12) **United States Design Patent**  
**Qiao**

(10) **Patent No.:** **US D933,760 S**

(45) **Date of Patent:** **\*\* Oct. 19, 2021**

(54) **FITNESS EQUIPMENT**

(71) Applicant: **Xi Lu Qiao**, Guangzhou Guangdong (CN)

(72) Inventor: **Xi Lu Qiao**, Guangzhou Guangdong (CN)

(73) Assignee: **ROCDAN LIMITED**, Hong Kong (HK)

(\*\*) Term: **15 Years**

(21) Appl. No.: **29/751,906**

(22) Filed: **Sep. 24, 2020**

(51) **LOC (13) Cl.** ..... **21-02**

(52) **U.S. Cl.**

USPC ..... **D21/676**

(58) **Field of Classification Search**

USPC .... 482/99, 100, 139, 94, 140, 8, 93, 95, 79,  
482/103; D21/694, 673, 675, 676, 686,  
D21/690

CPC ..... A63B 21/0628; A63B 21/4047; A63B  
21/4035; A63B 2208/0233; A63B  
23/03525; A63B 21/154; A63B 23/03533;  
A63B 23/12; A63B 21/4029; A63B  
2210/50

See application file for complete search history.

(56) **References Cited**

**U.S. PATENT DOCUMENTS**

- 6,585,626 B2 \* 7/2003 McBride ..... A63B 21/04  
482/130
- 6,595,905 B2 \* 7/2003 McBride ..... A63B 21/04  
482/130
- 6,685,607 B1 \* 2/2004 Olson ..... A63B 23/0494  
482/142

(Continued)

**OTHER PUBLICATIONS**

Bowflex by Bowflex store dated Jul. 26, 2017. Found online [Jul. 13, 2021] <https://tinyurl.com/yberuecx> (Year: 2017).\*

(Continued)

*Primary Examiner* — Ryan Harvey

(57)

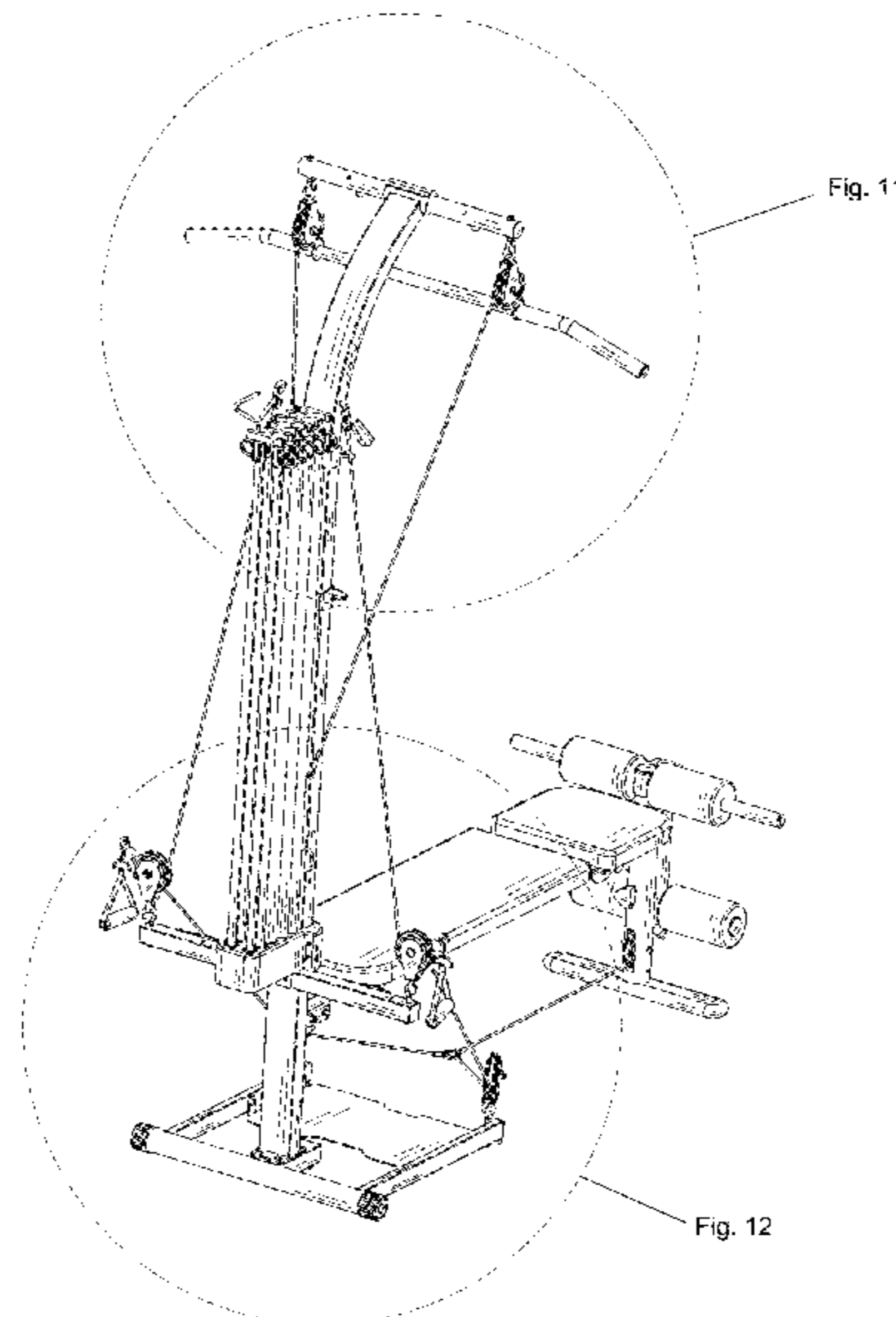
**CLAIM**

The ornamental design for a fitness equipment, as shown and described.

**DESCRIPTION**

FIG. 1 is a top front perspective view of a fitness equipment according to the present invention;  
 FIG. 2 is a top rear perspective view thereof;  
 FIG. 3 is a bottom front perspective view thereof;  
 FIG. 4 is a bottom rear perspective view thereof;  
 FIG. 5 is a front elevation view thereof;  
 FIG. 6 is a rear elevation view thereof;  
 FIG. 7 is a left side view thereof;  
 FIG. 8 is a right side view thereof;  
 FIG. 9 is a top side view thereof;  
 FIG. 10 is a bottom side view thereof;  
 FIG. 11 is an enlarged top front perspective view of the encircled portion labeled FIG. 11 shown in FIG. 1;  
 FIG. 12 is an enlarged top front perspective view of the encircled portion labeled FIG. 12 shown in FIG. 1;  
 FIG. 13 is an enlarged top rear perspective view of the encircled portion labeled FIG. 13 shown in FIG. 2;  
 FIG. 14 is an enlarged top rear perspective view of the encircled portion labeled FIG. 14 shown in FIG. 2;  
 FIG. 15 is an enlarged bottom front perspective view of the encircled portion labeled FIG. 15 shown in FIG. 3;  
 FIG. 16 is an enlarged bottom front perspective view of the encircled portion labeled FIG. 16 shown in FIG. 3;  
 FIG. 17 is an enlarged bottom rear perspective view of the encircled portion labeled FIG. 17 shown in FIG. 4; and,  
 FIG. 18 is an enlarged bottom rear perspective view of the encircled portion labeled FIG. 18 shown in FIG. 4.

**1 Claim, 18 Drawing Sheets**



(56)

References Cited

U.S. PATENT DOCUMENTS

6,755,770 B2 \* 6/2004 Martens ..... A63B 21/072  
482/107  
D512,113 S \* 11/2005 Carter ..... D21/675  
D552,193 S \* 10/2007 Husted ..... D21/676  
D574,451 S 8/2008 Muramatsu  
7,429,236 B2 \* 9/2008 Dalebout ..... A63B 21/00072  
482/121  
7,794,371 B2 \* 9/2010 Webber ..... A63B 23/1209  
482/95  
8,109,864 B2 \* 2/2012 Tseng ..... A63B 23/03566  
482/121  
8,475,338 B2 \* 7/2013 Greenhill ..... A63B 21/0058  
482/5  
D730,458 S 5/2015 Zhu  
D746,925 S 1/2016 Firth et al.  
9,498,668 B2 \* 11/2016 Smith ..... A63B 21/063  
D807,445 S \* 1/2018 Gettle ..... D21/686  
D852,906 S 7/2019 Zhu  
2003/0114281 A1 \* 6/2003 Mackert ..... A63B 21/4033  
482/123  
2003/0232707 A1 \* 12/2003 Dalebout ..... A63B 21/026  
482/123  
2004/0005966 A1 \* 1/2004 Chen ..... A63B 23/0494  
482/100  
2005/0032611 A1 \* 2/2005 Webber ..... A63B 21/4035  
482/72  
2005/0049121 A1 \* 3/2005 Dalebout ..... A63B 23/03525  
482/93  
2005/0272577 A1 \* 12/2005 Olson ..... A63B 21/00072  
482/123

2006/0035766 A1 \* 2/2006 Towley ..... A63B 21/08  
482/97  
2006/0035768 A1 \* 2/2006 Kowallis ..... A63B 21/00072  
482/123  
2006/0189462 A1 \* 8/2006 Pearson ..... A63B 21/045  
482/142  
2007/0032356 A1 \* 2/2007 Rief ..... A63B 21/04  
482/130  
2007/0093364 A1 \* 4/2007 Batca ..... A63B 23/12  
482/99  
2007/0117690 A1 \* 5/2007 Webber ..... A63B 23/1209  
482/94  
2008/0176713 A1 \* 7/2008 Olivera Brizzio . A63B 21/0628  
482/8  
2008/0300116 A1 \* 12/2008 Eder ..... A63B 21/156  
482/100  
2010/0016129 A1 \* 1/2010 Chou ..... A63B 23/03516  
482/97  
2011/0092343 A1 \* 4/2011 Habing ..... A63B 23/1254  
482/94  
2013/0157816 A1 \* 6/2013 Lyszczarz ..... A63B 21/0628  
482/99  
2015/0238799 A1 \* 8/2015 Arline ..... A63B 71/02  
482/129

OTHER PUBLICATIONS

Golds by Golds Gym dated no date given. Found online [Jul. 13, 2021] <https://www.fitness-superstore.co.uk/golds-gym-power-rod-bench.html>.\*

\* cited by examiner

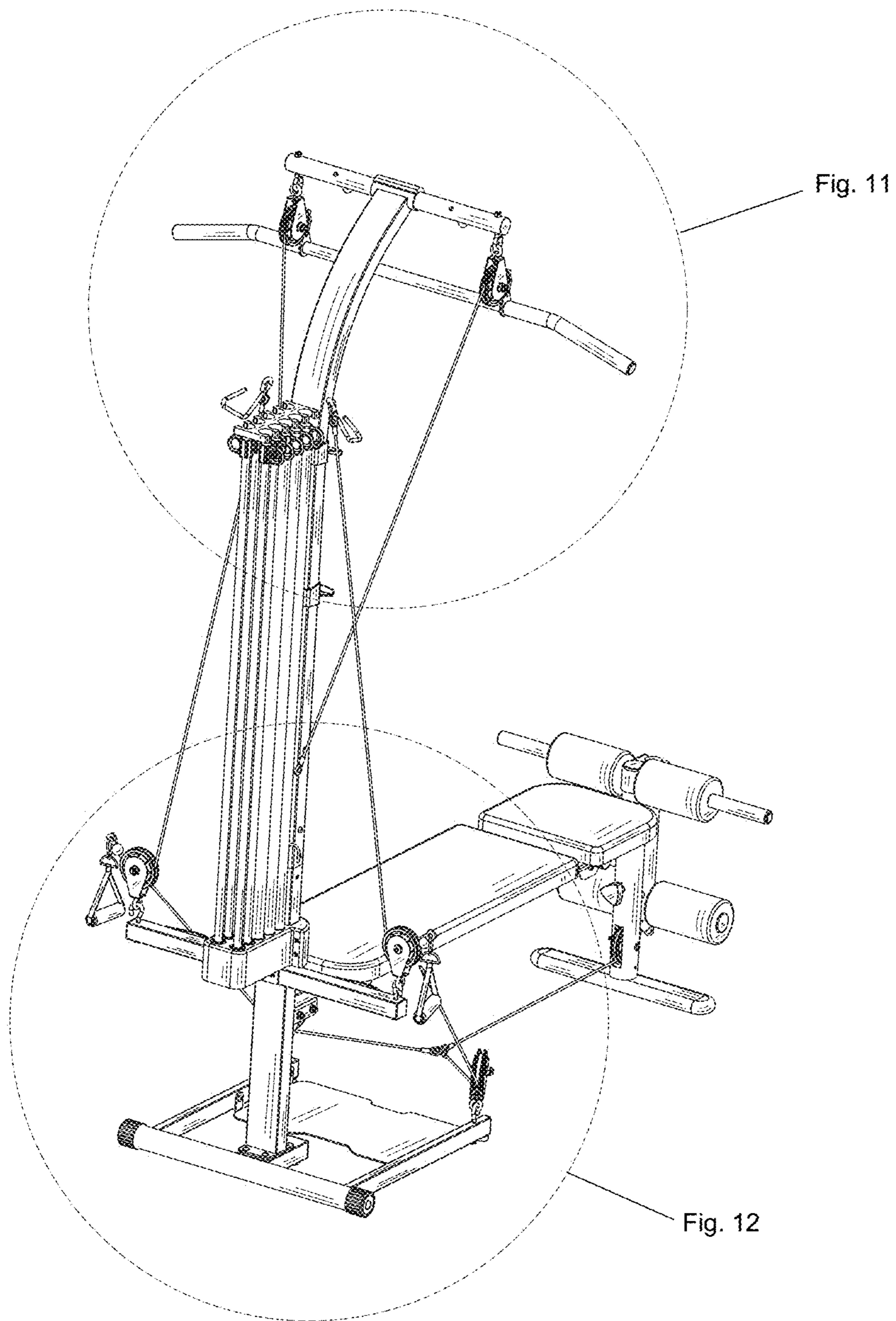


FIG. 1

Fig. 13

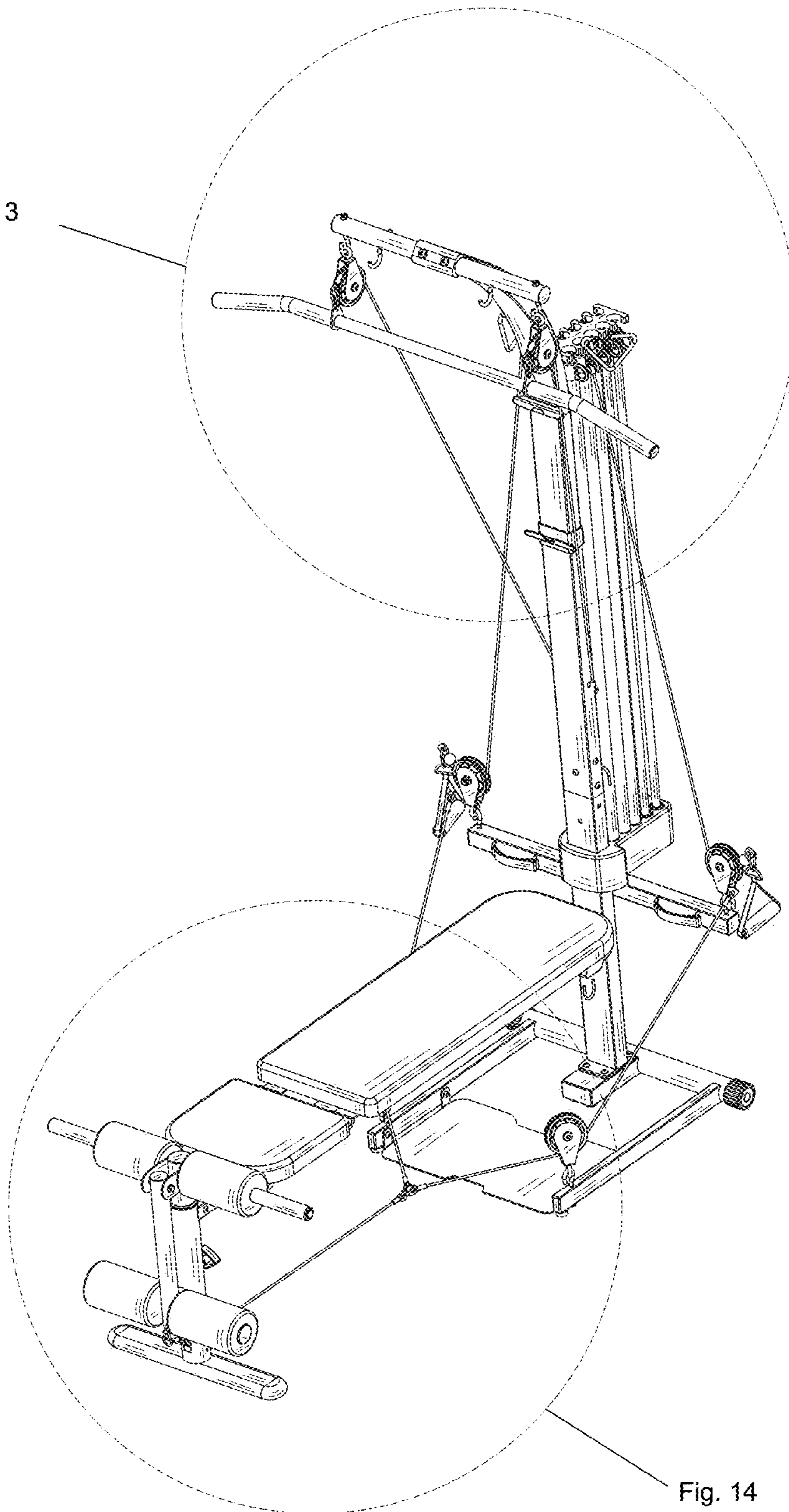


Fig. 14

FIG. 2

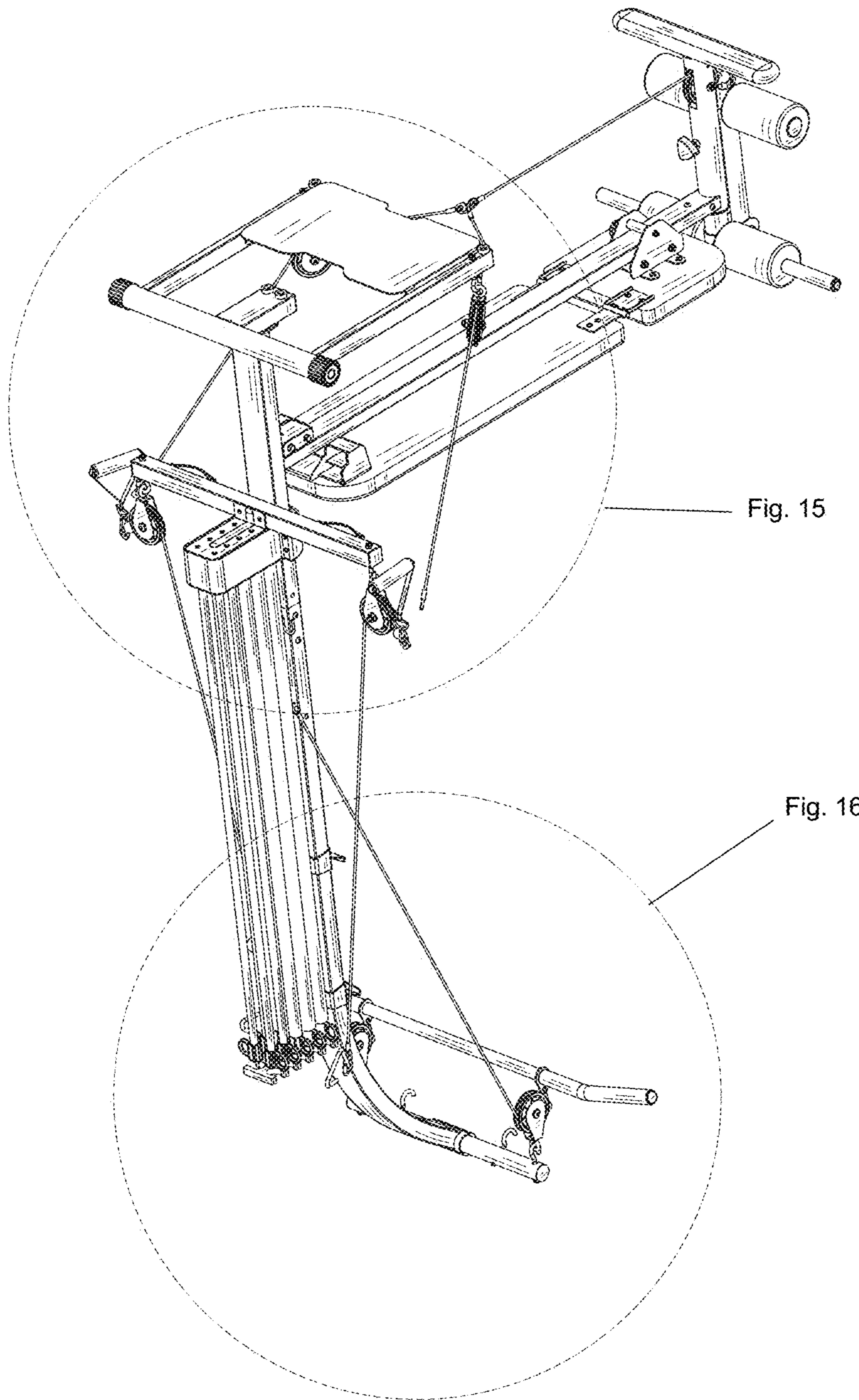


FIG. 3

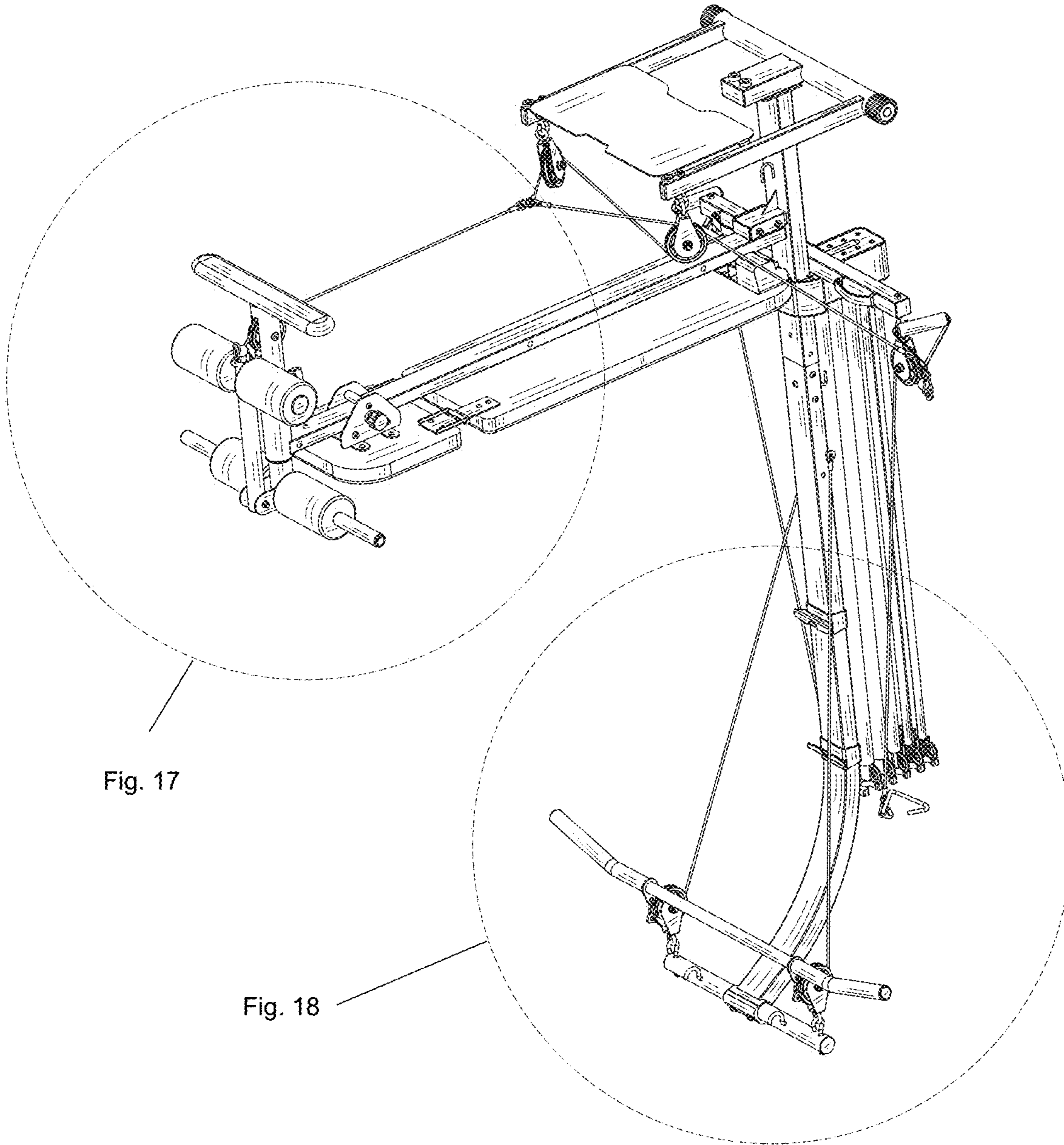


Fig. 17

Fig. 18

FIG. 4

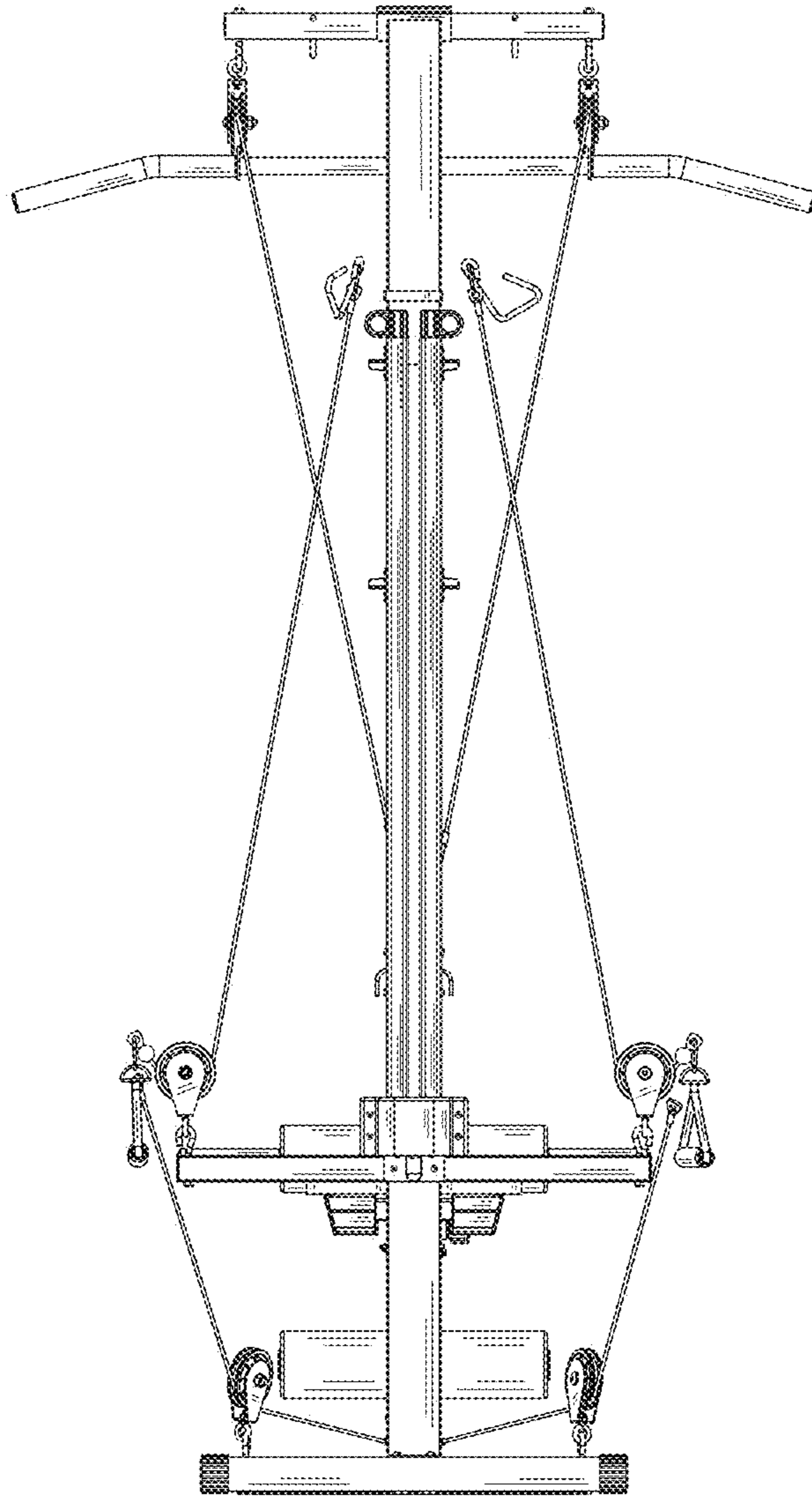


FIG. 5

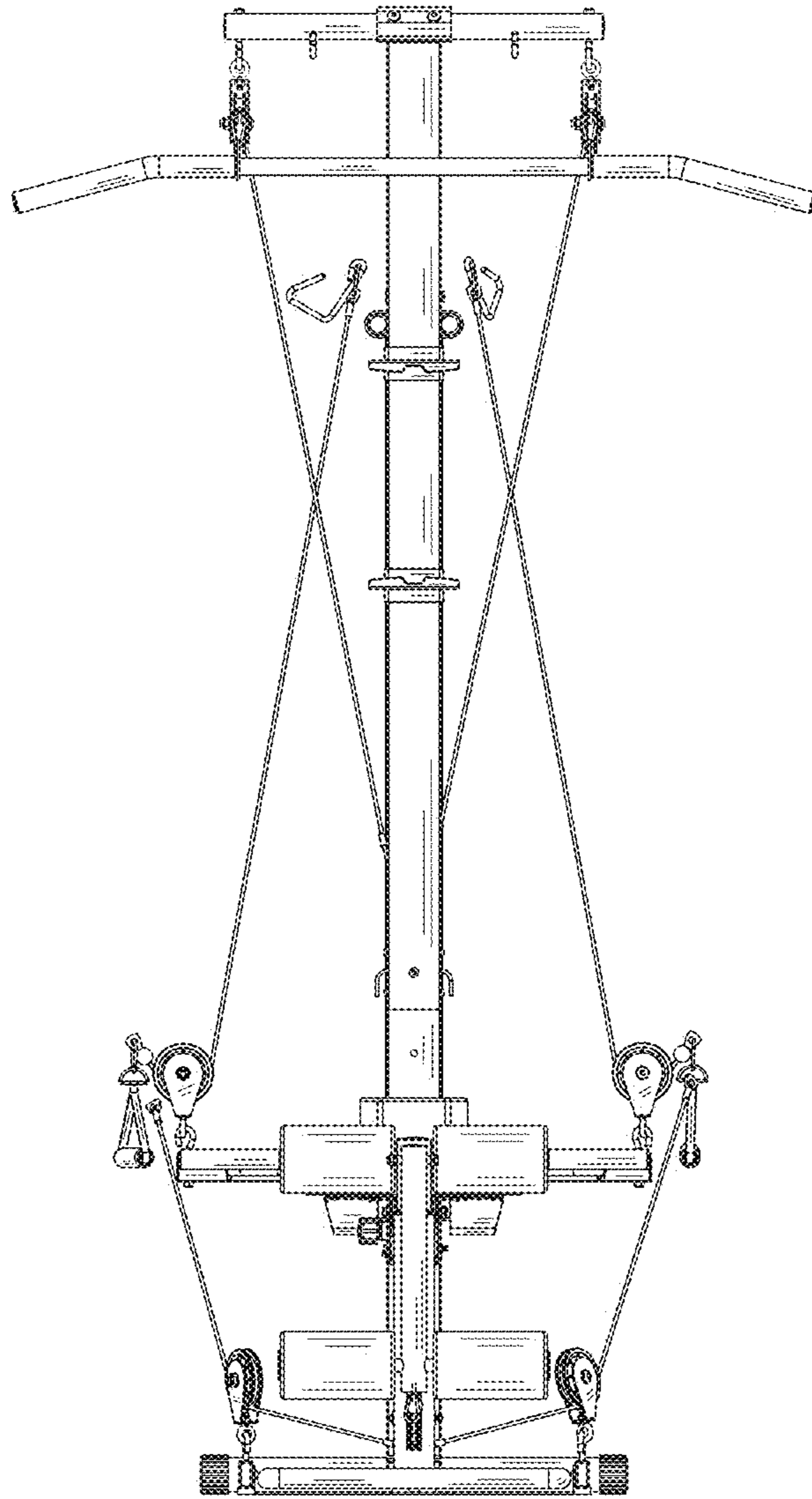


FIG. 6



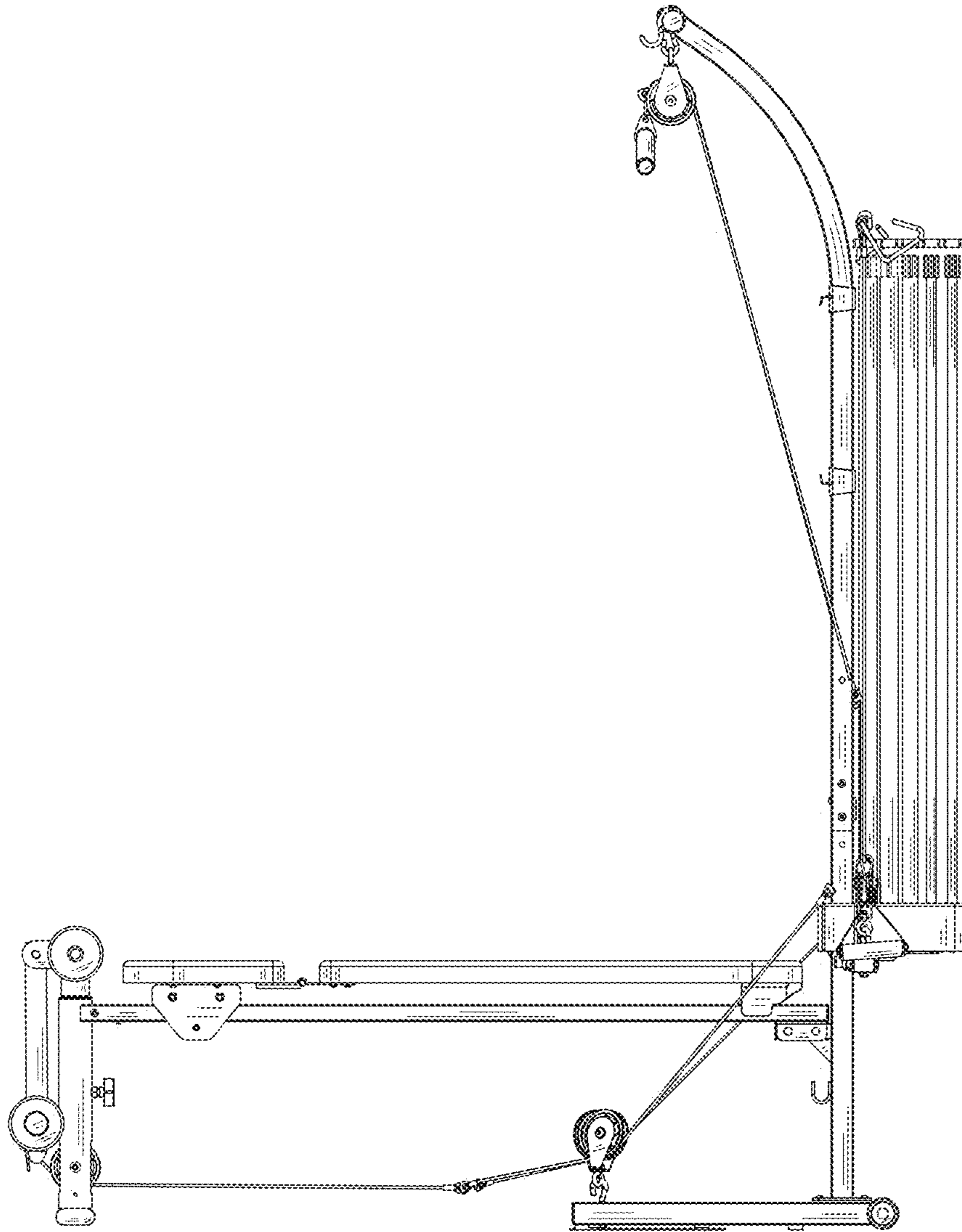


FIG. 7

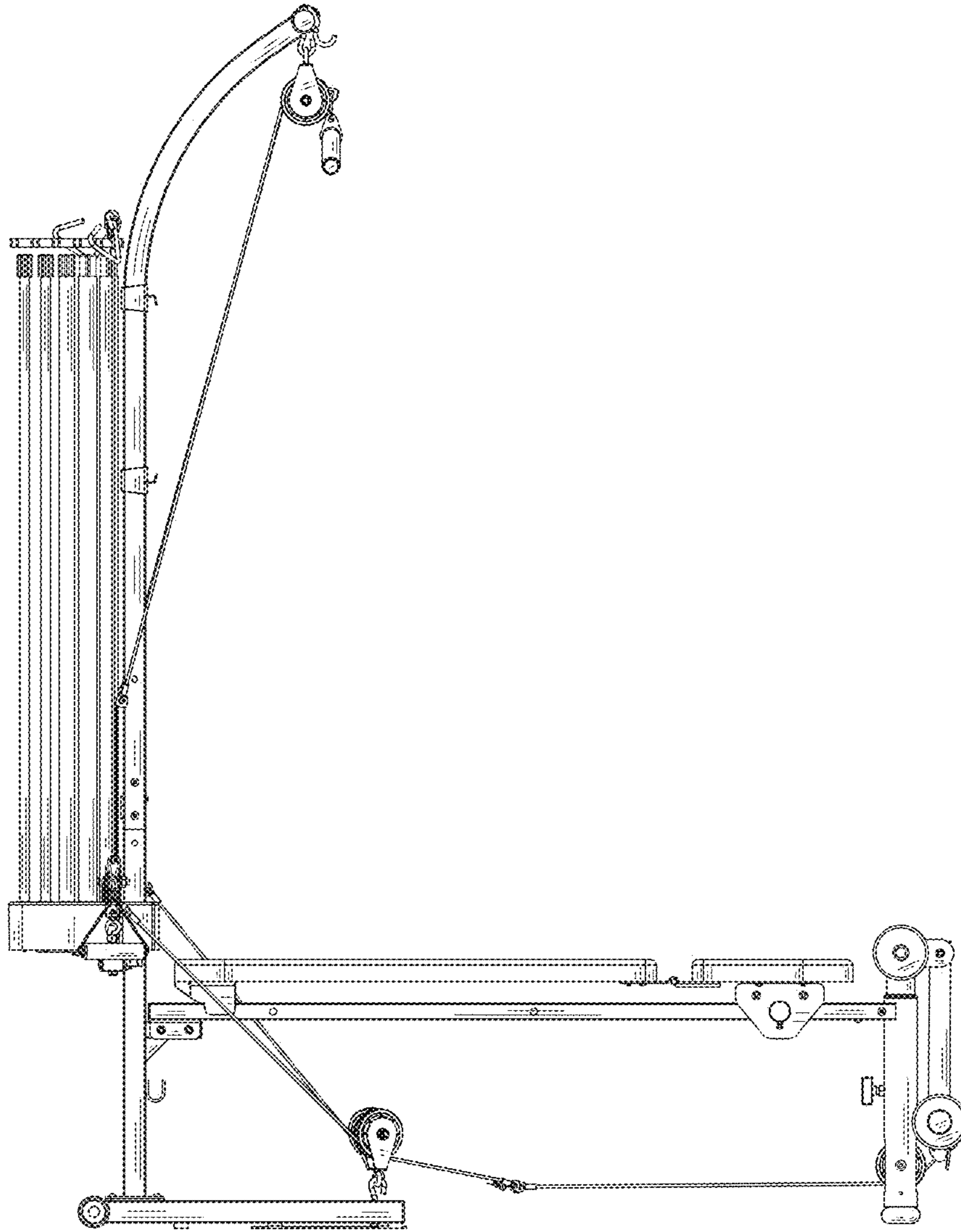


FIG. 8

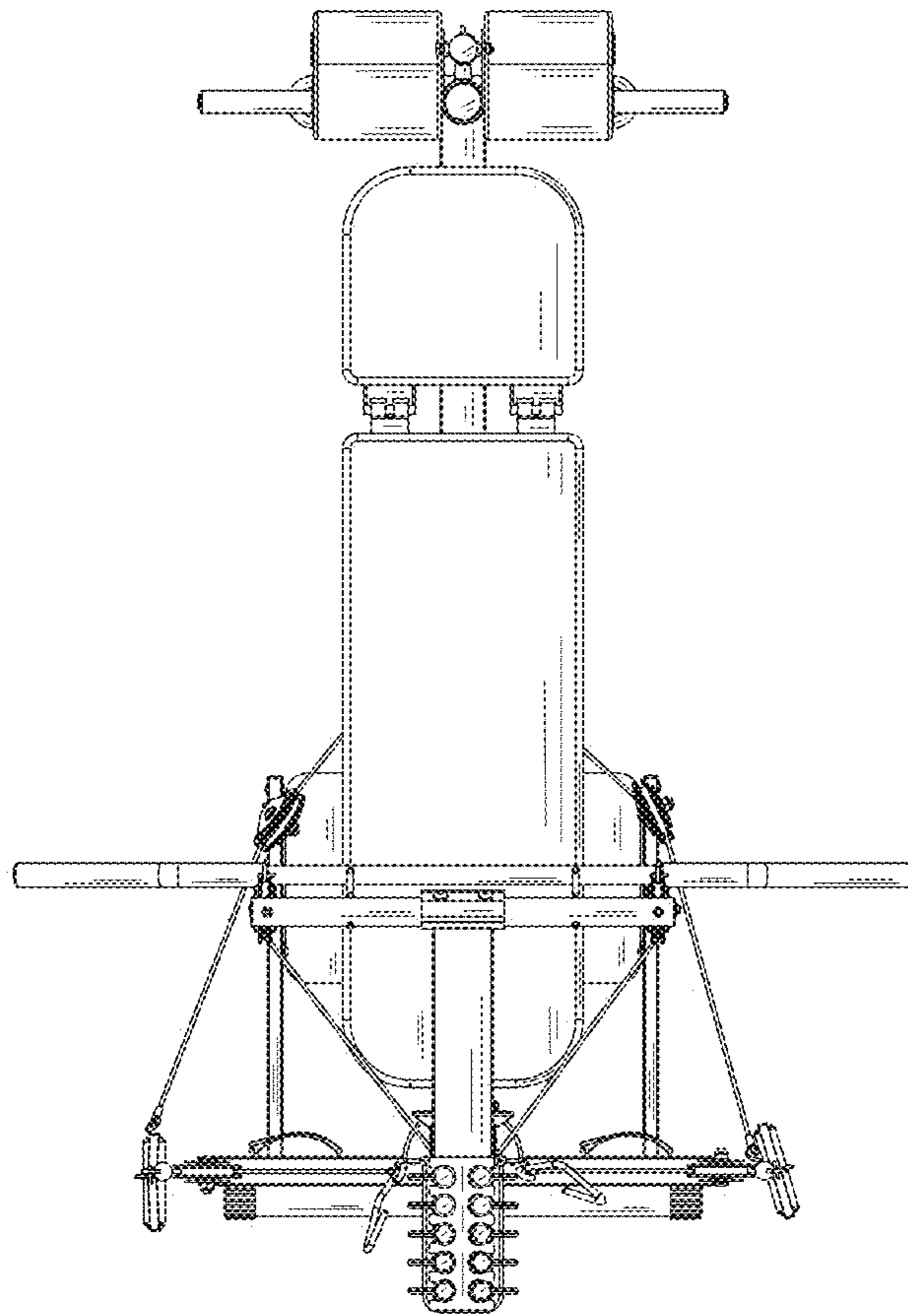


FIG. 9

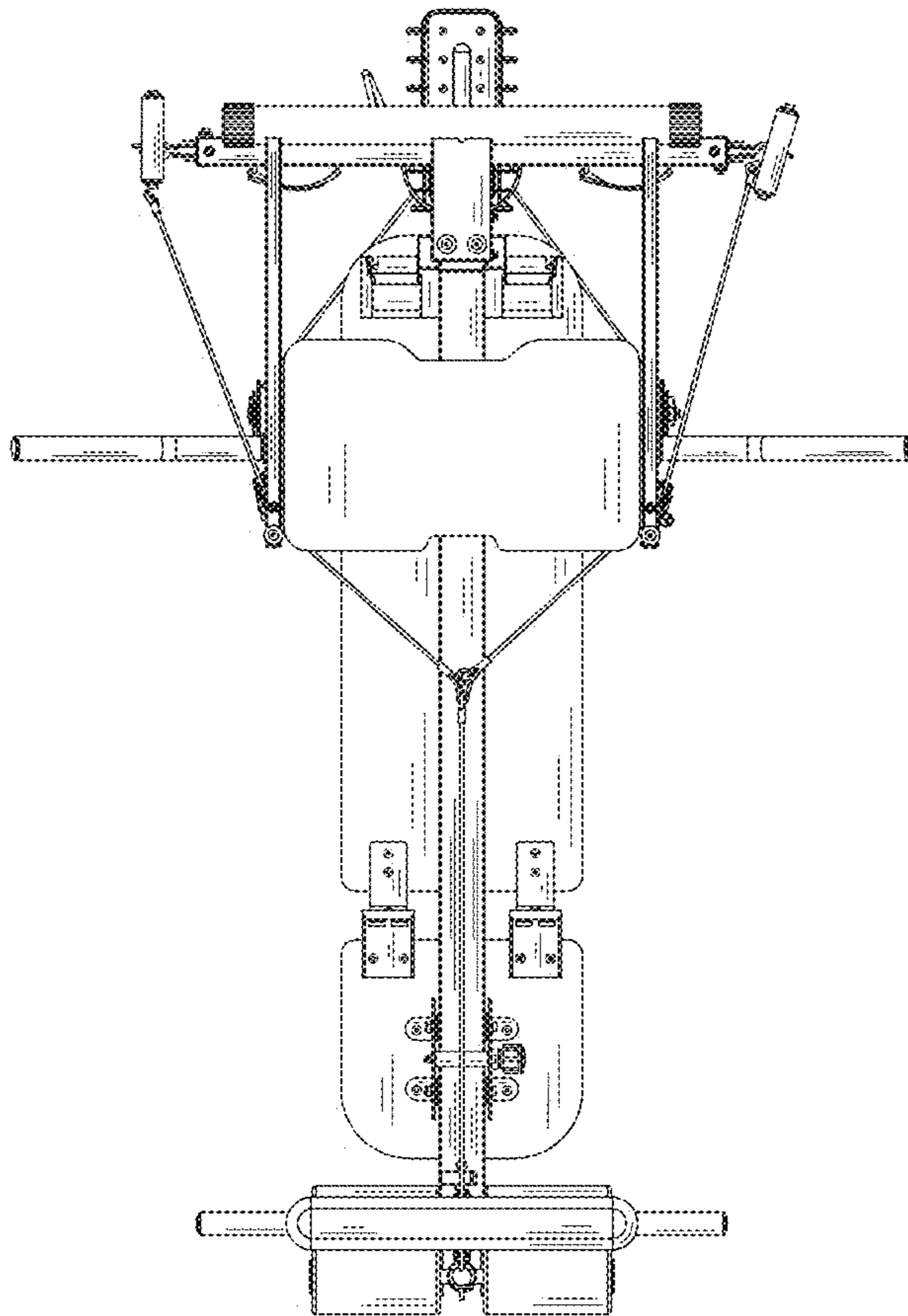


FIG. 10

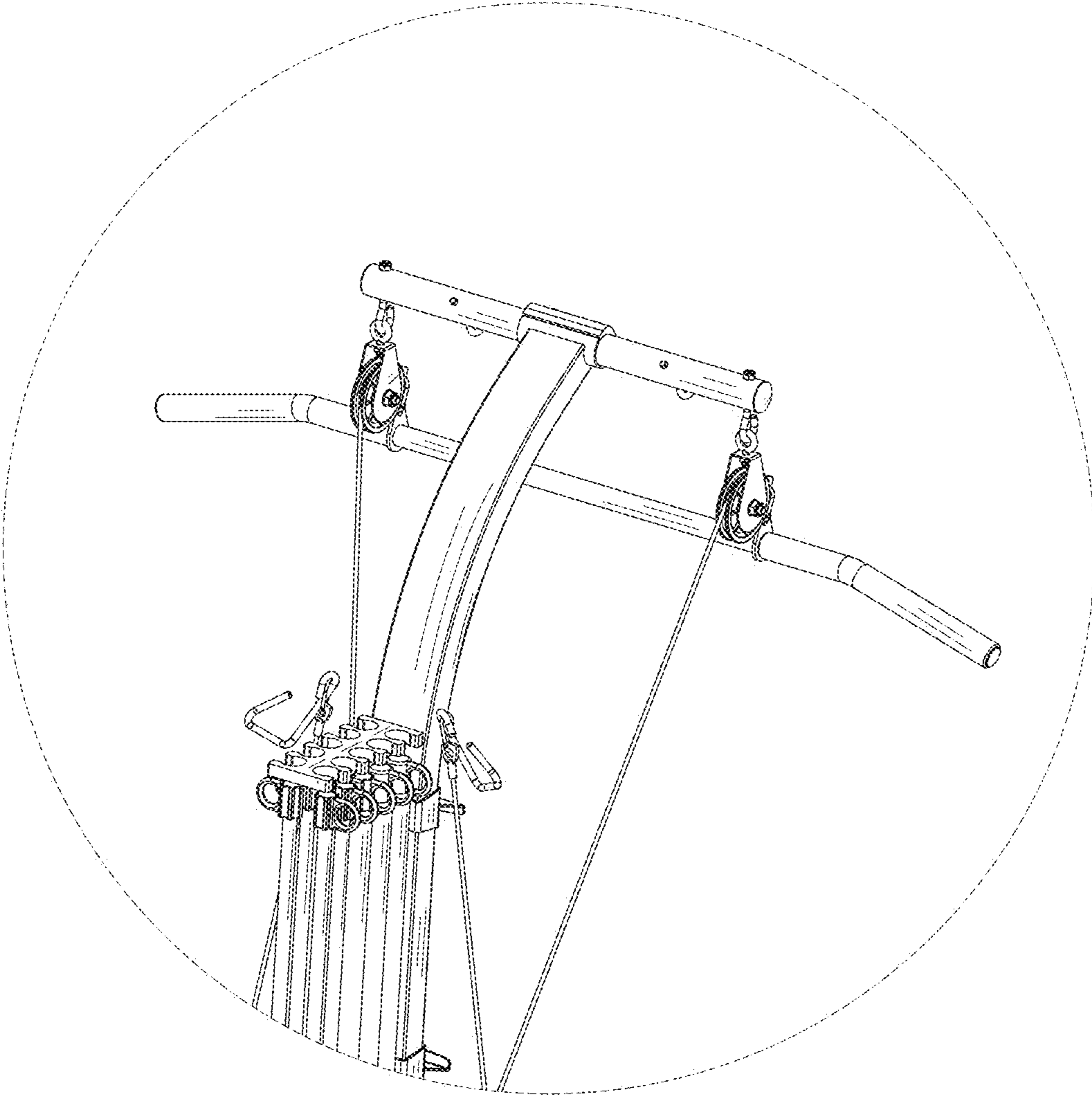


FIG. 11

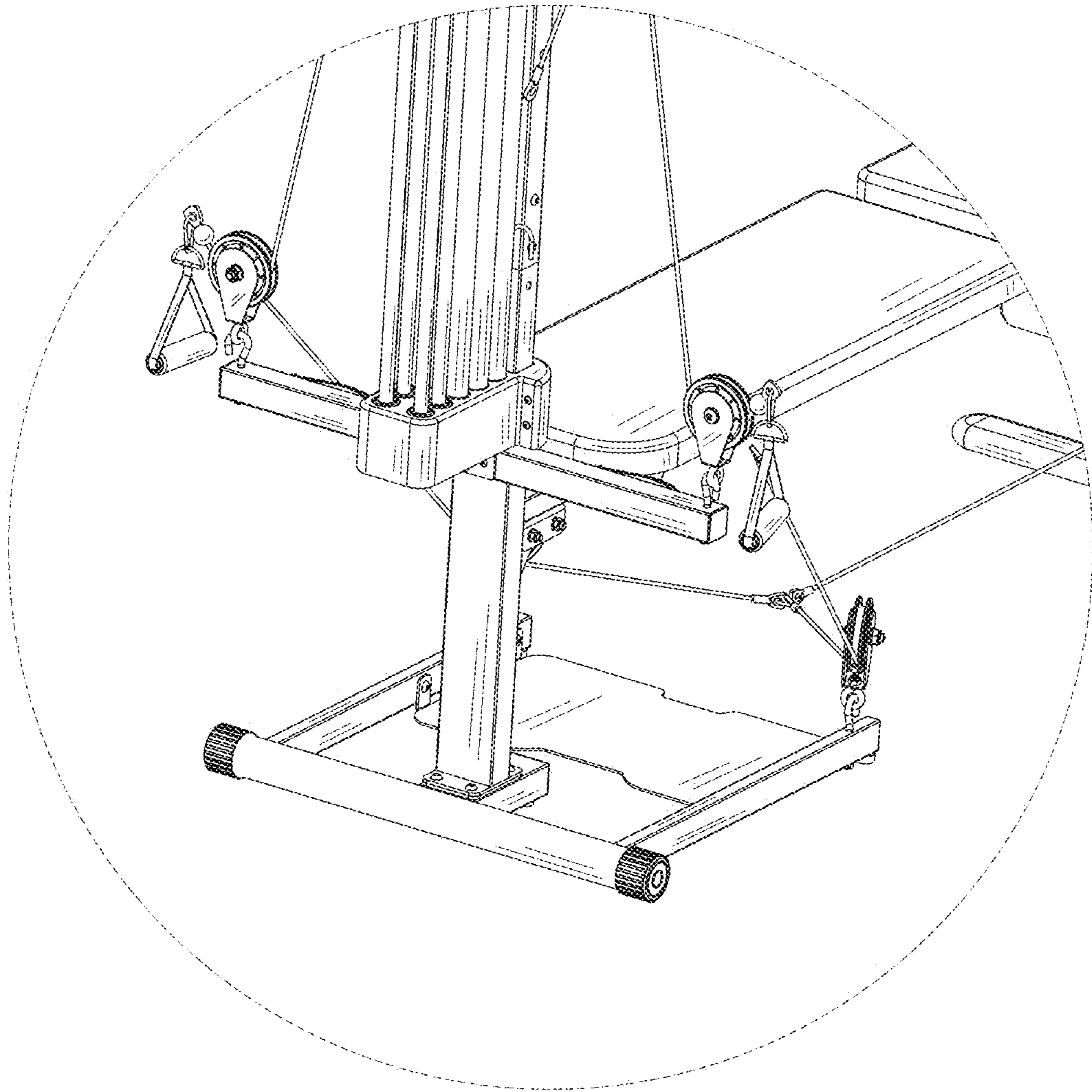


FIG. 12

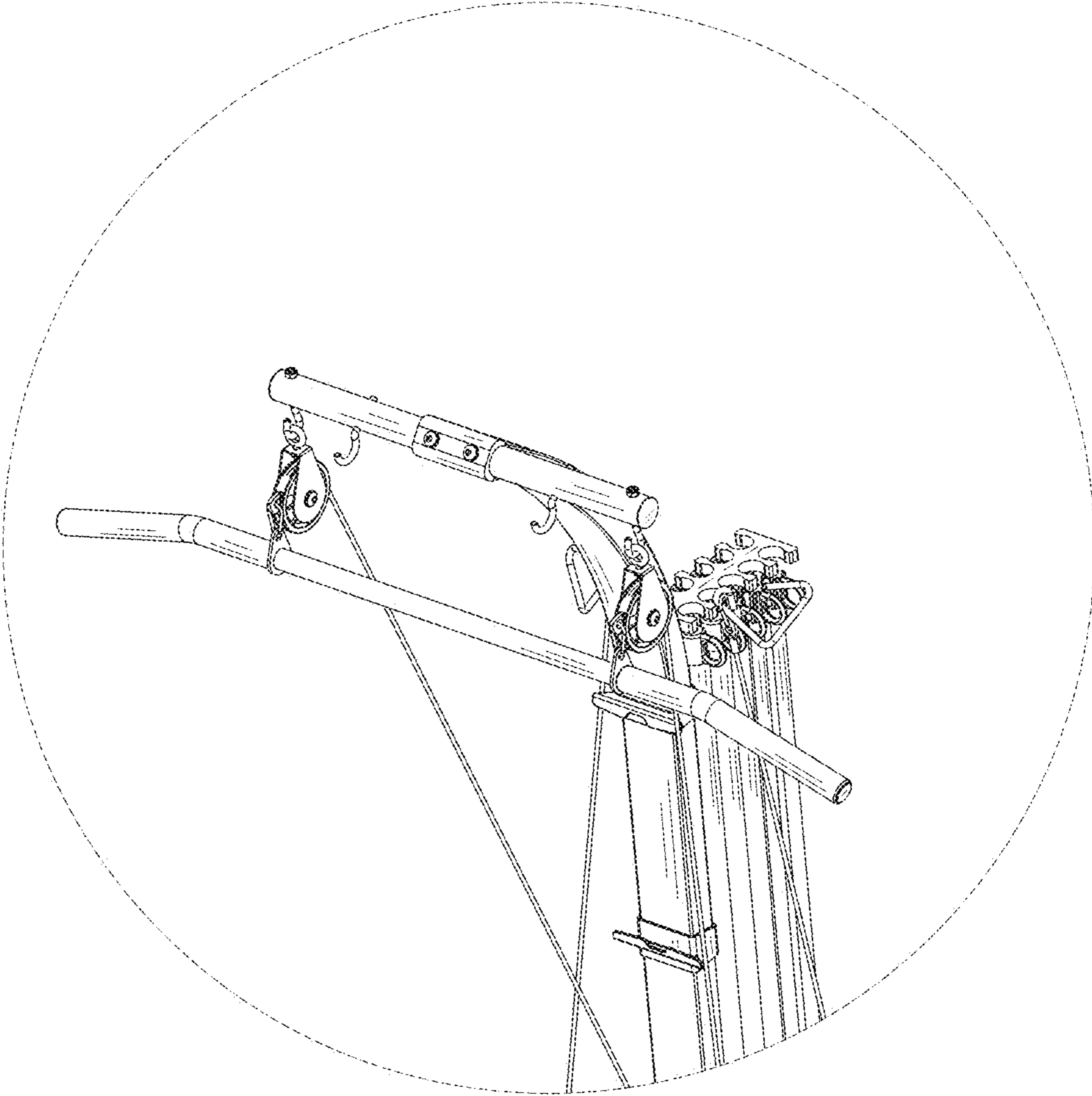


FIG. 13

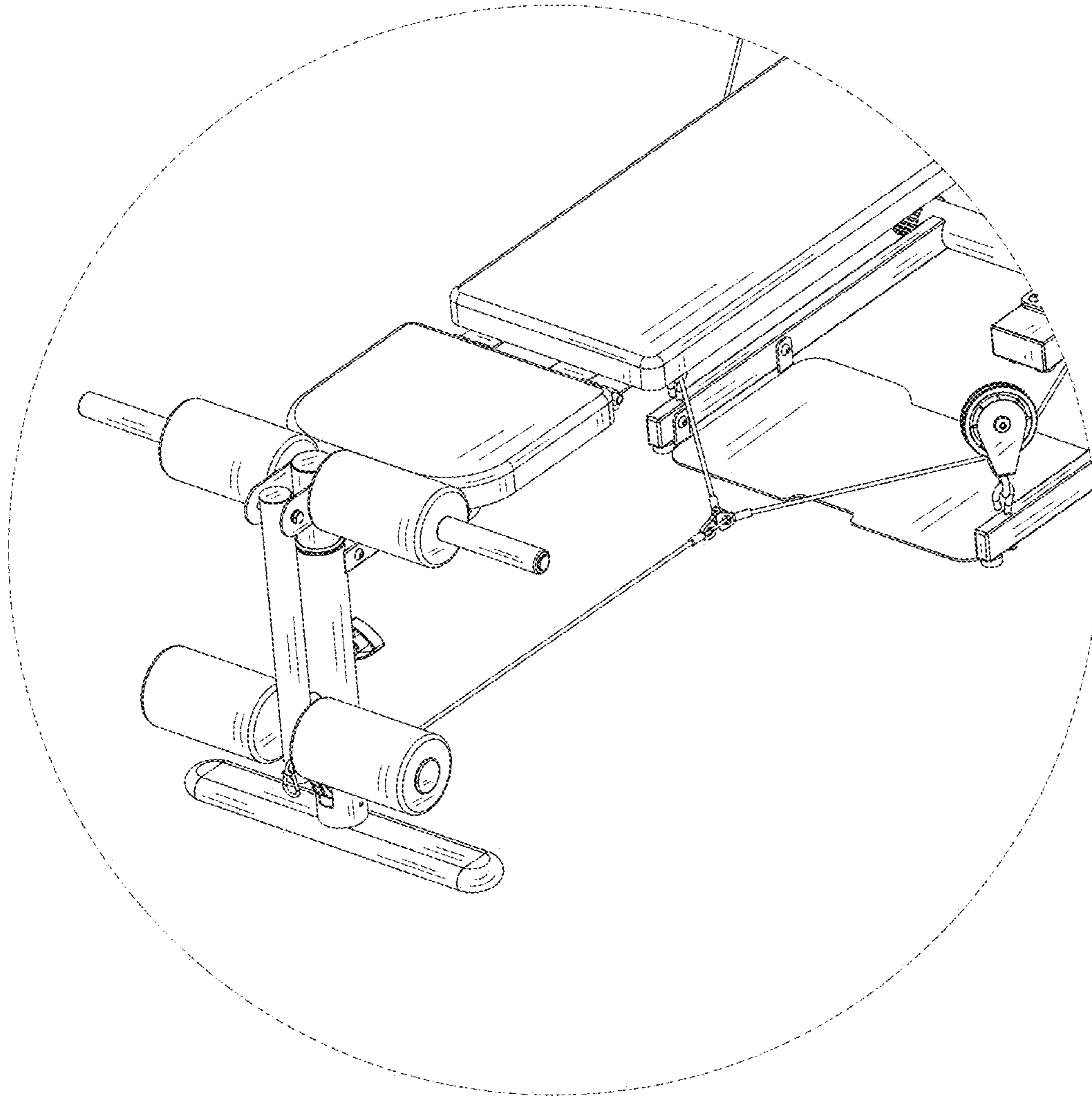


FIG. 14



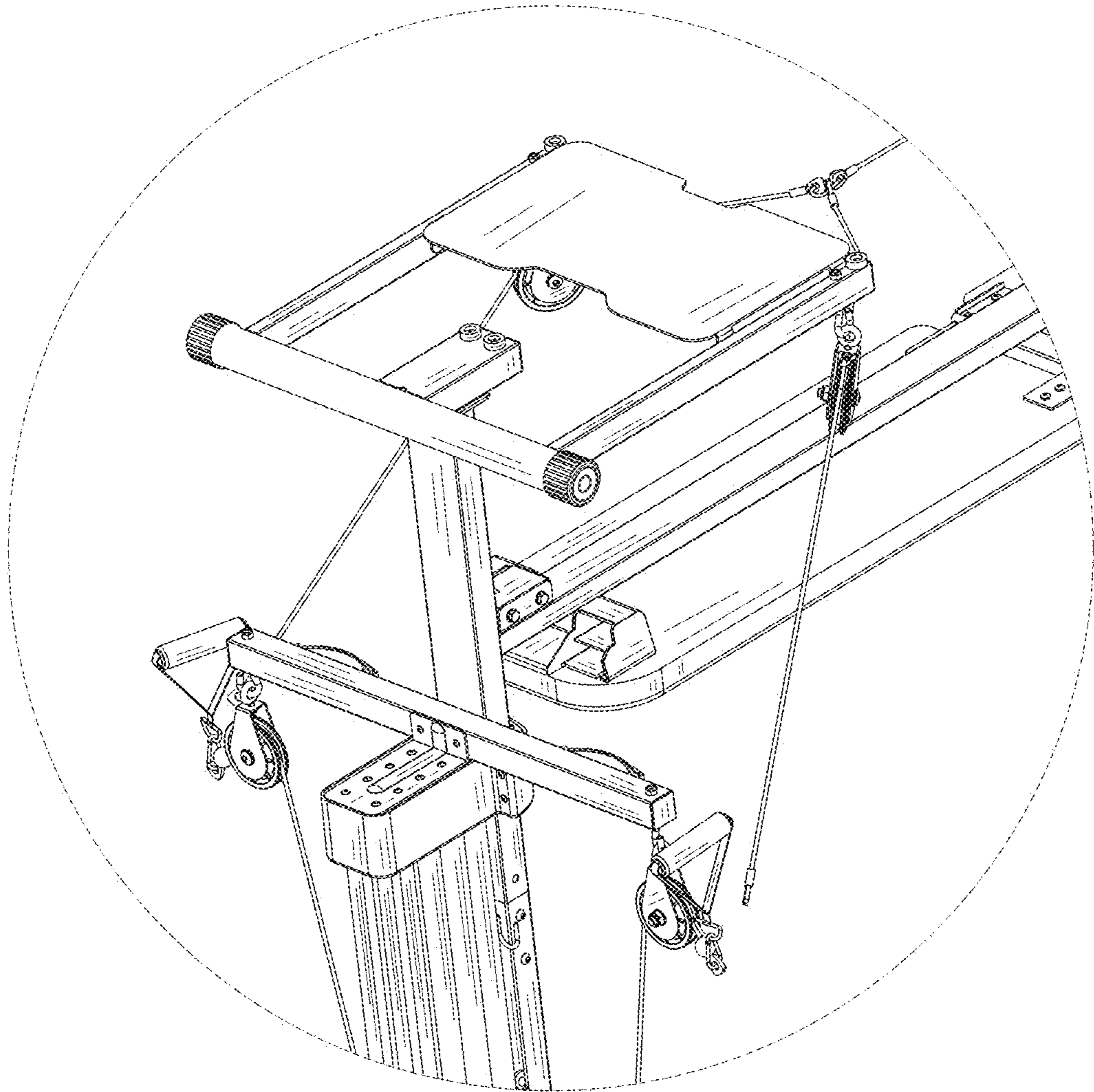


FIG. 15

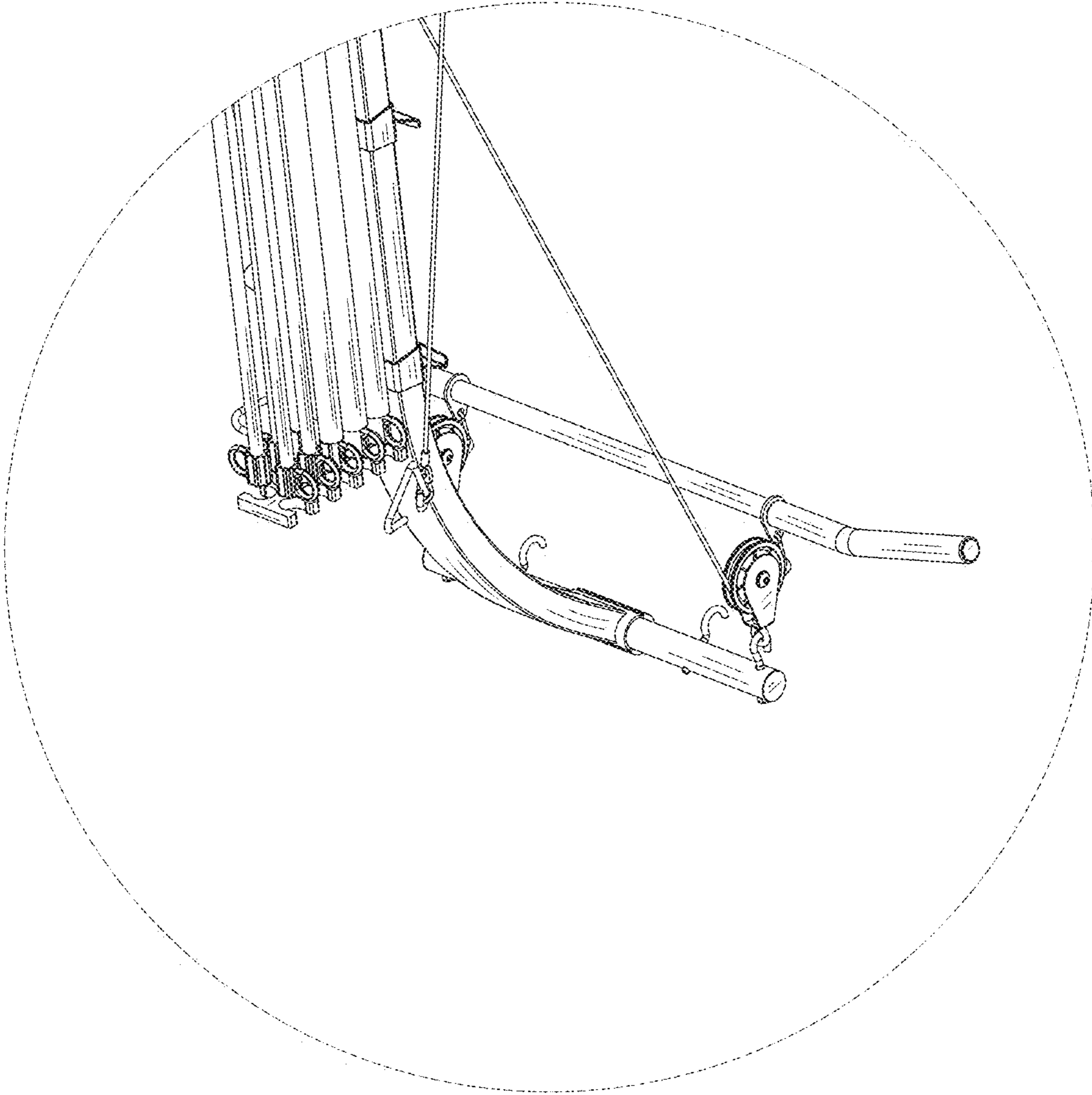


FIG. 16

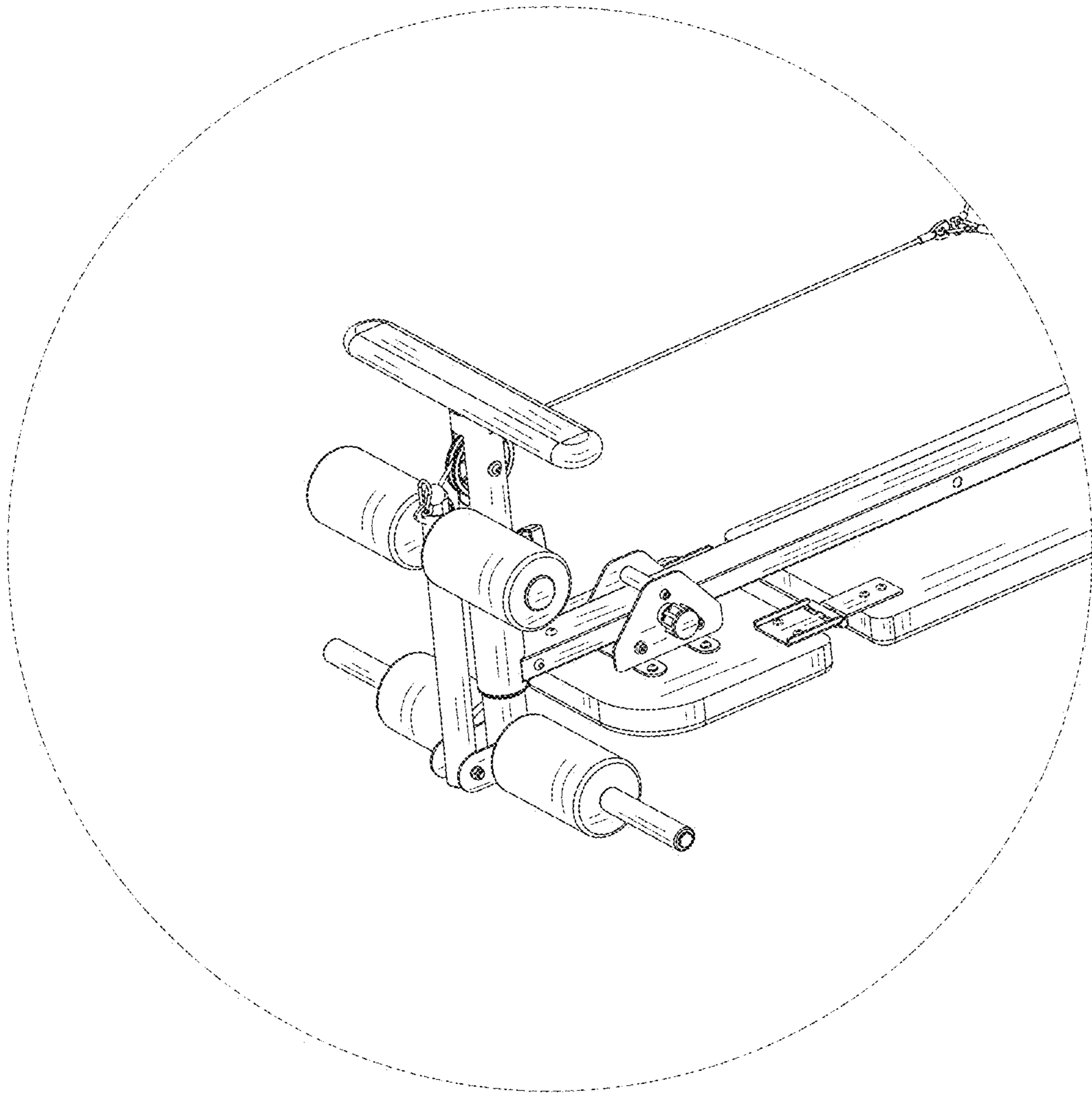


FIG. 17

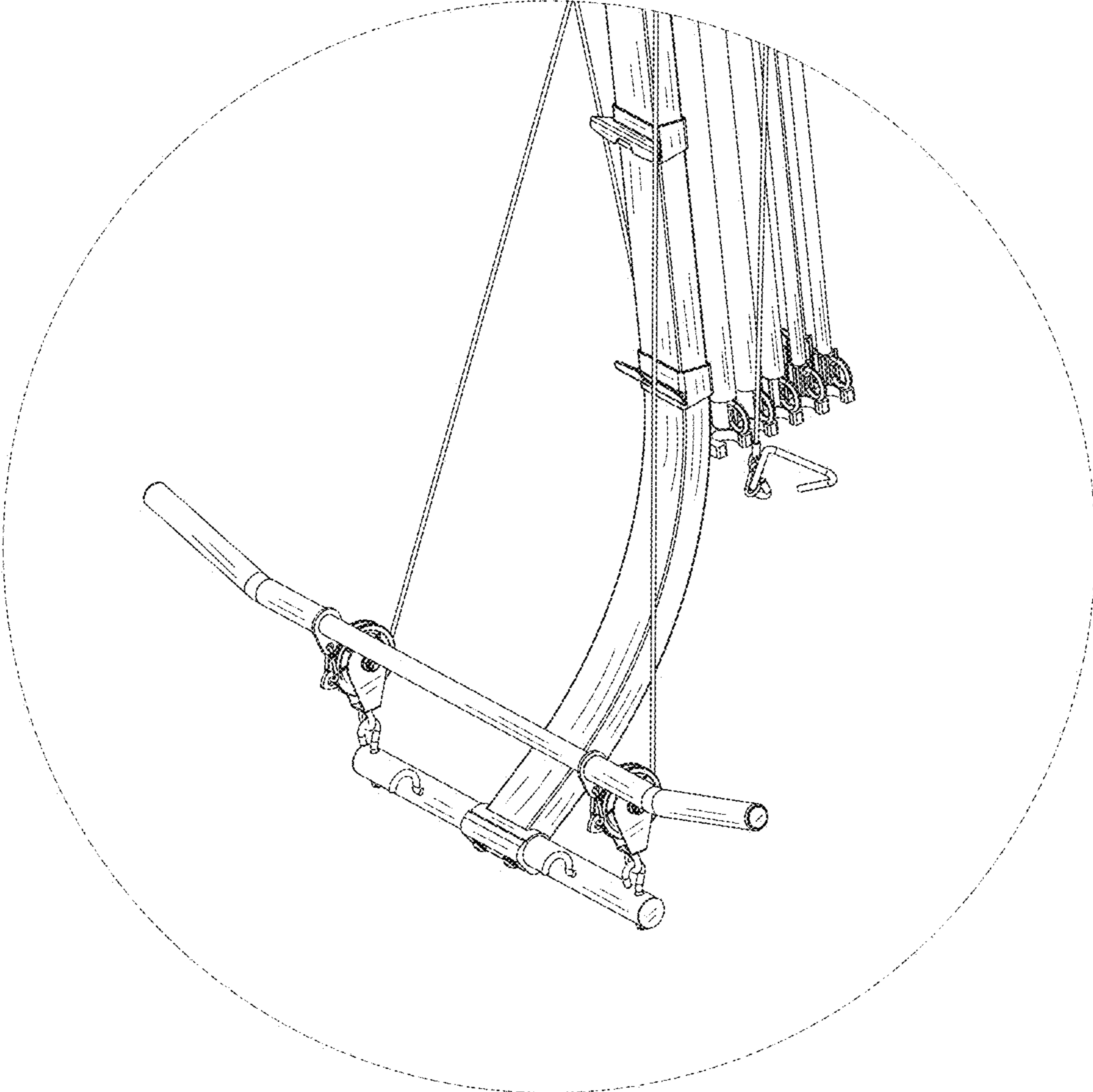


FIG. 18