



US00D933759S

(12) **United States Design Patent**  
**Pai**

(10) **Patent No.:** **US D933,759 S**

(45) **Date of Patent:** **\*\* Oct. 19, 2021**

(54) **SIGNAL CONVERTER OF GAME CONTROLLER**

(71) Applicant: **ZEROPLUS TECHNOLOGY CO., LTD.**, New Taipei (TW)

(72) Inventor: **Tsan-Hsing Pai**, New Taipei (TW)

(73) Assignee: **ZEROPLUS TECHNOLOGY CO., LTD.**, New Taipei (TW)

(\*\*) Term: **15 Years**

(21) Appl. No.: **29/692,622**

(22) Filed: **May 28, 2019**

(30) **Foreign Application Priority Data**

Jan. 4, 2019 (TW) ..... 108300072

(51) **LOC (13) Cl.** ..... **21-02**

(52) **U.S. Cl.**  
USPC ..... **D21/566**

(58) **Field of Classification Search**  
USPC ..... D26/566, 568, 567, 569, 570, 571, 436,  
D26/441, 453, 454; D21/566, 568, 567,  
D21/569, 570, 571, 436, 441, 453, 454  
CPC ..... A63F 13/24; A63F 13/98  
See application file for complete search history.

(56) **References Cited**

**U.S. PATENT DOCUMENTS**

- 5,243,958 A \* 9/1993 Shepley, Jr. .... F41B 5/0031  
124/23.1
- D515,635 S \* 2/2006 Takahashi ..... D21/566
- D783,756 S \* 4/2017 McPherson ..... D22/107
- D784,202 S \* 4/2017 Park ..... D12/16.1
- D808,466 S \* 1/2018 Foster ..... D21/333
- D869,333 S \* 12/2019 Boyle ..... D12/16.1
- D879,908 S \* 3/2020 Nelson ..... F41B 5/0031  
D22/113

(Continued)

**FOREIGN PATENT DOCUMENTS**

- CN 301394644 \* 11/2010
- CN 303307562 \* 7/2015

(Continued)

**OTHER PUBLICATIONS**

“Collective Minds Strike Pack F.P.S.,” Oct. 26, 2016, amazon.ca, site visited May 3, 2021, URL: <https://www.amazon.ca/Collective-Minds-Dominator-Controller-Adapter/dp/B01L8QHJJA> (Year: 2016).\*

(Continued)

*Primary Examiner* — Eric L Goodman

*Assistant Examiner* — Sarah L Smith

(74) *Attorney, Agent, or Firm* — Tracy M Heims; Apex Juris, PLLC.

(57) **CLAIM**

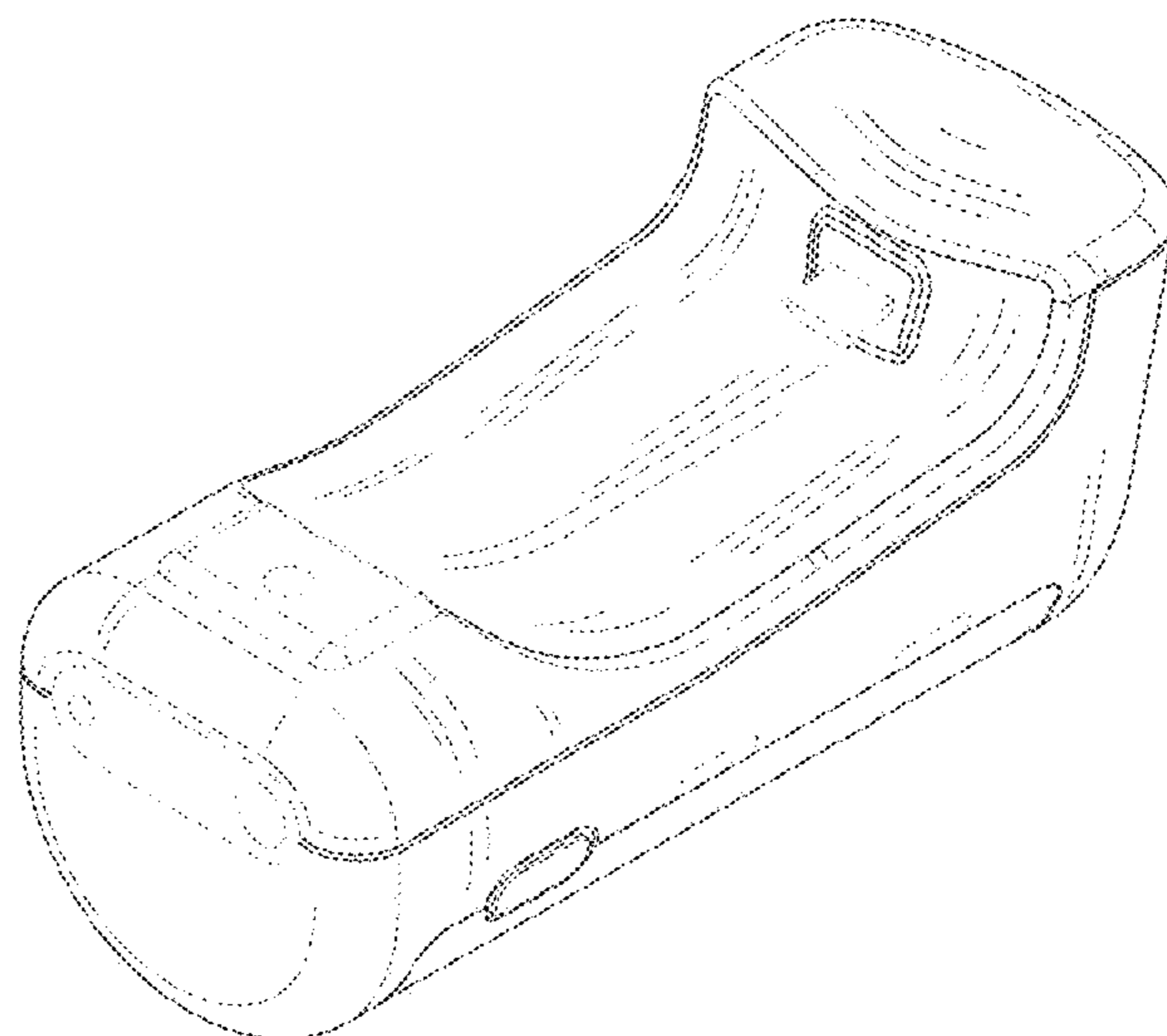
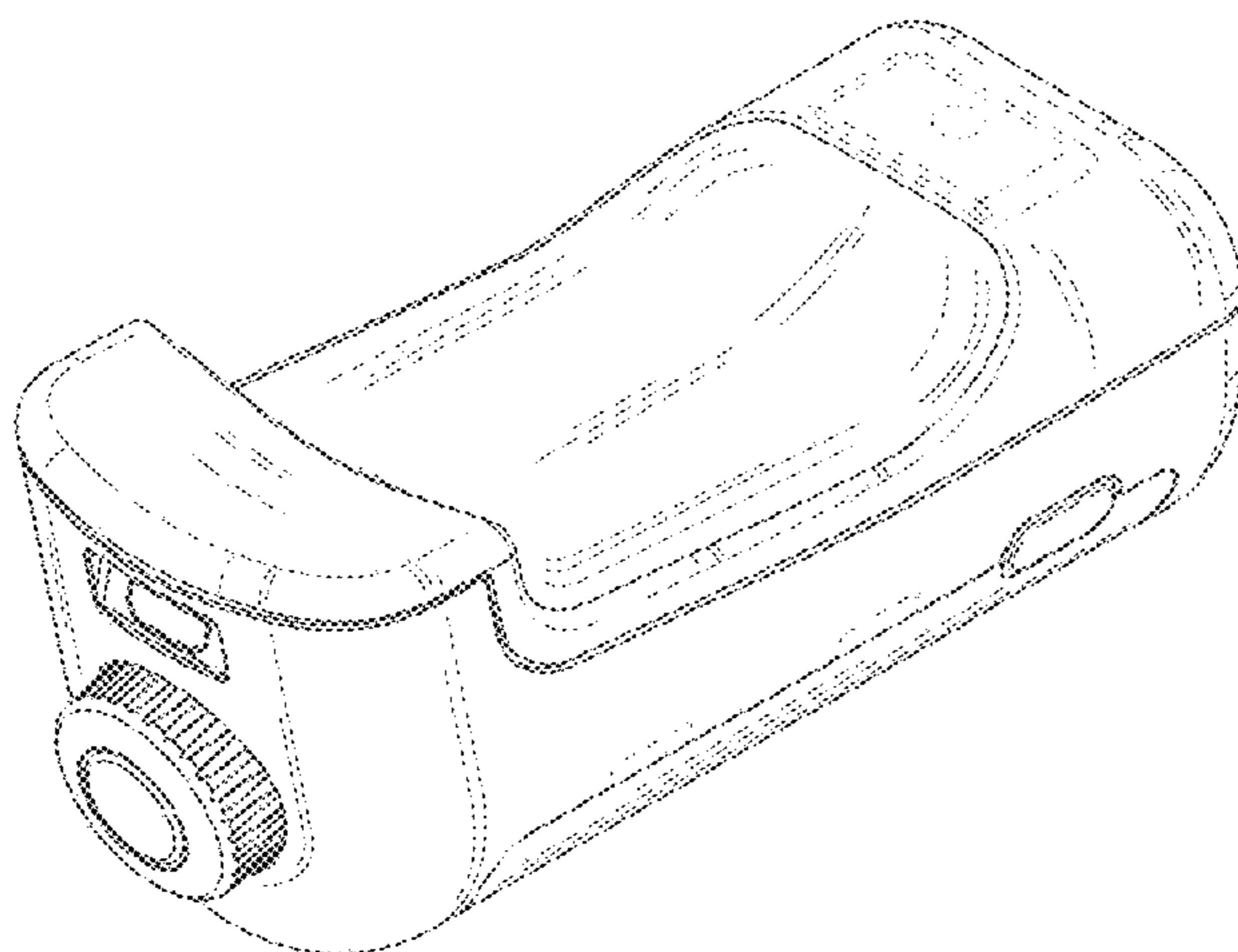
The ornamental design for a signal converter of game controller, as shown and described.

**DESCRIPTION**

FIG. 1 is a perspective view of a signal converter of game controller;  
 FIG. 2 is another perspective view thereof;  
 FIG. 3 is a front view thereof;  
 FIG. 4 is a rear view thereof;  
 FIG. 5 is a left side view thereof;  
 FIG. 6 is a right side view thereof;  
 FIG. 7 is a top view thereof;  
 FIG. 8 is a bottom view thereof.  
 FIG. 9 is a perspective view thereof, shown in environmental use of being mounted with a fixing kit; and,  
 FIG. 10 is another perspective view shown in the environmental use of FIG. 9.

The broken lines depict portions of the claimed design or environment that form no part of the claimed design.

**1 Claim, 10 Drawing Sheets**



(56)

**References Cited**

U.S. PATENT DOCUMENTS

D895,757 S \* 9/2020 Leis ..... A63H 30/04  
D22/107  
2005/0168373 A1\* 8/2005 Mukaida ..... A63H 30/04  
341/176  
2019/0118079 A1\* 4/2019 Bellinghausen ..... A63F 13/98  
2020/0222799 A1\* 7/2020 Chang ..... A63F 13/24

FOREIGN PATENT DOCUMENTS

CN 304537102 \* 3/2018  
EP 1475688 A2 \* 11/2004 ..... A63F 13/22  
GB 2526811 A \* 12/2015 ..... A63F 13/92  
HR 300747467.0000 \* 6/2014  
JP D1580876 \* 7/2017

OTHER PUBLICATIONS

“The \$40 SCUF Alternative!?” Aug. 5, 2017, youtube.com, site visited May 3, 2021, URL: <https://www.youtube.com/watch?v=FLHWJxi0yqA> (Year: 2017).\*

“Remote Controller for Wii Nintendo,” Jan. 16, 2018, amazon.com, site visited May 3, 2021, URL: <https://www.amazon.com/Controller-Remote-Nunchuck-Controllers-Silicon/dp/B07B479RLP/> (Year: 2018).\*

“Ostent Portable Rechargeable Battery Pack,” Jun. 13, 2018, amazon.com, site visited May 3, 2021, URL: [https://www.amazon.com/Portable-Rechargeable-Wireless-Controller-PlayStation-4/dp/B07DPH1XYK/ref=sr\\_1\\_7?dchild=1&keywords=PS4+Controller+Battery+Products&qid=1620063784&sr=8-7](https://www.amazon.com/Portable-Rechargeable-Wireless-Controller-PlayStation-4/dp/B07DPH1XYK/ref=sr_1_7?dchild=1&keywords=PS4+Controller+Battery+Products&qid=1620063784&sr=8-7) (Year: 2018).\*

\* cited by examiner

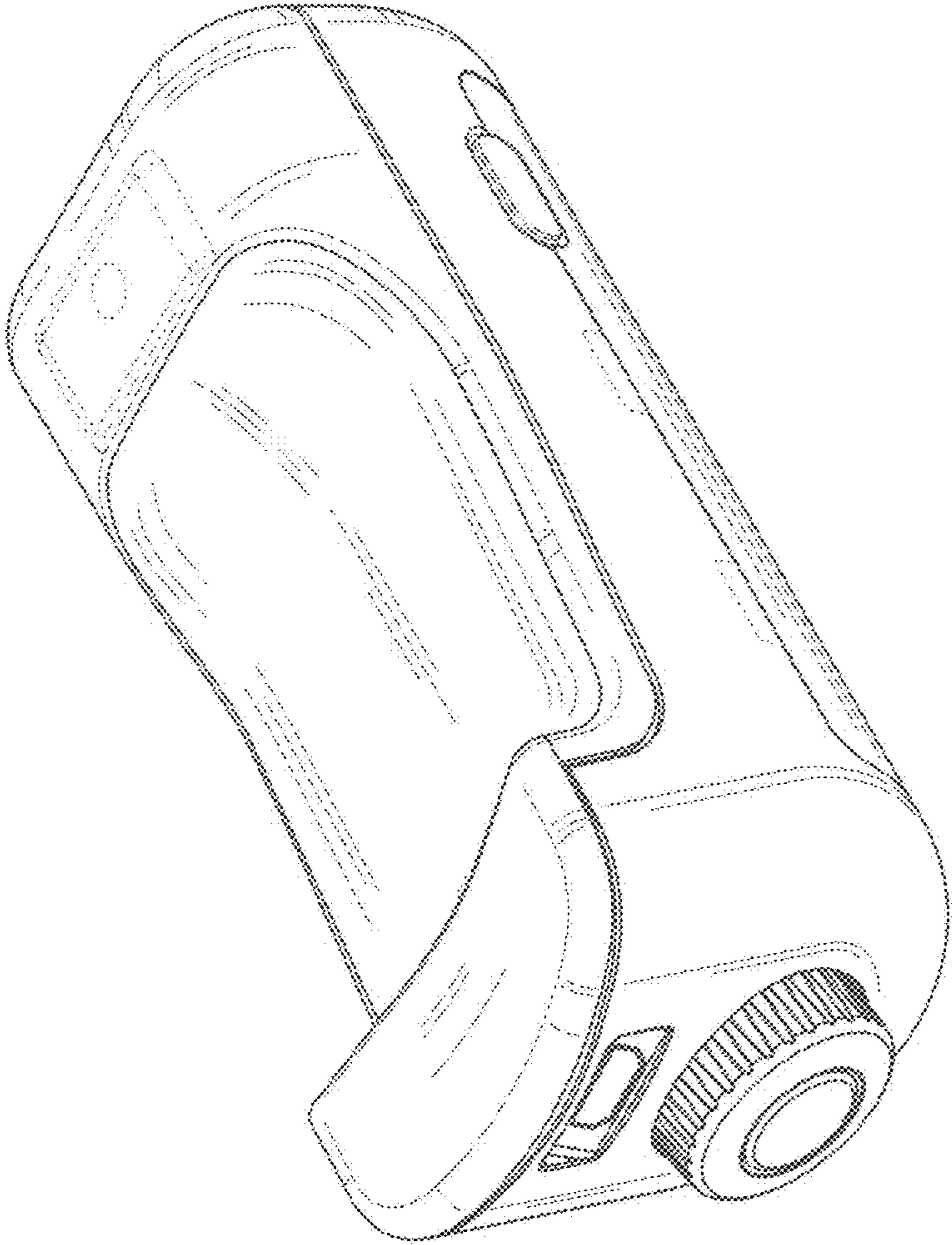


FIG. 1

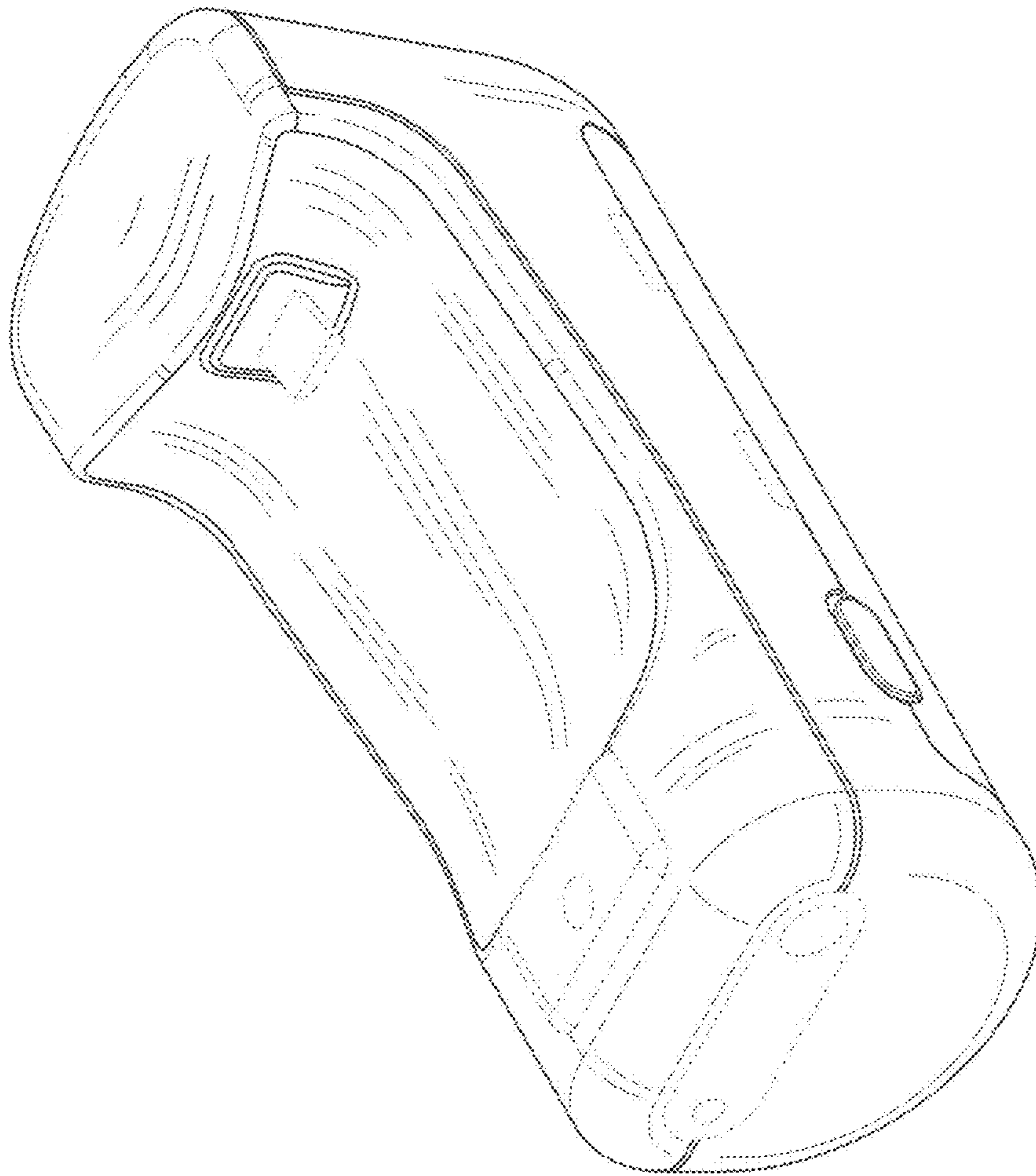


FIG. 2



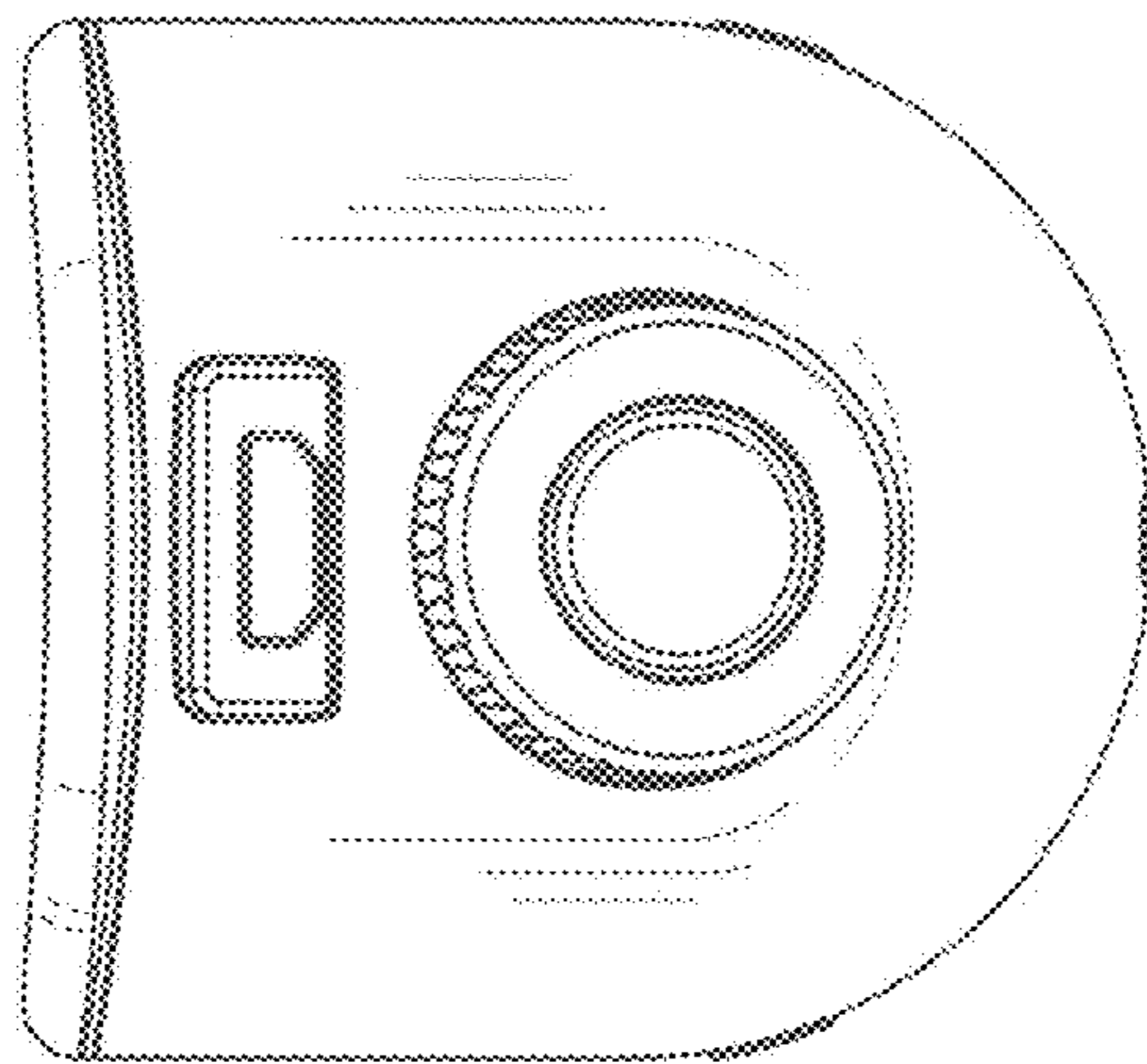


FIG. 3

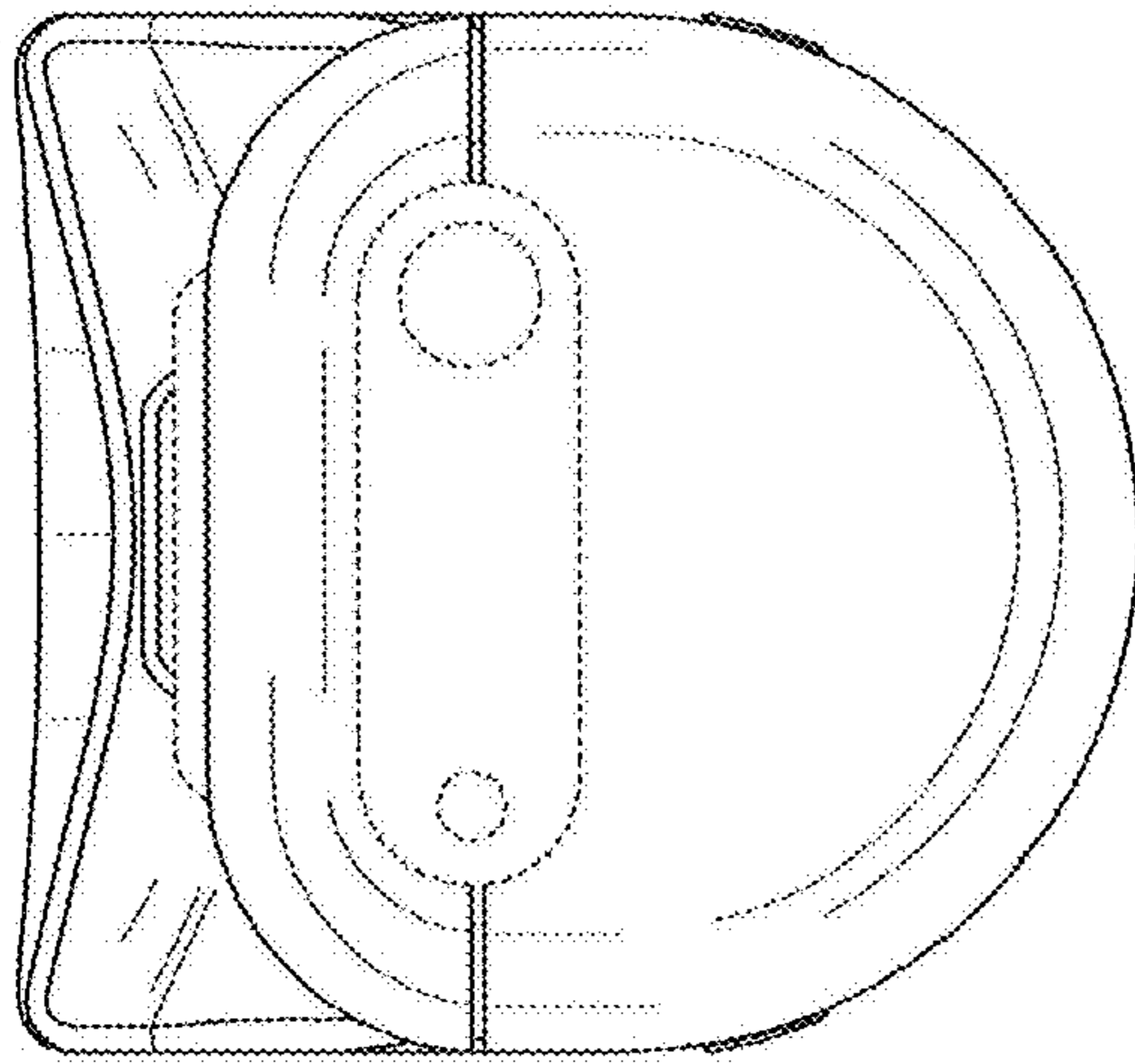


FIG. 4

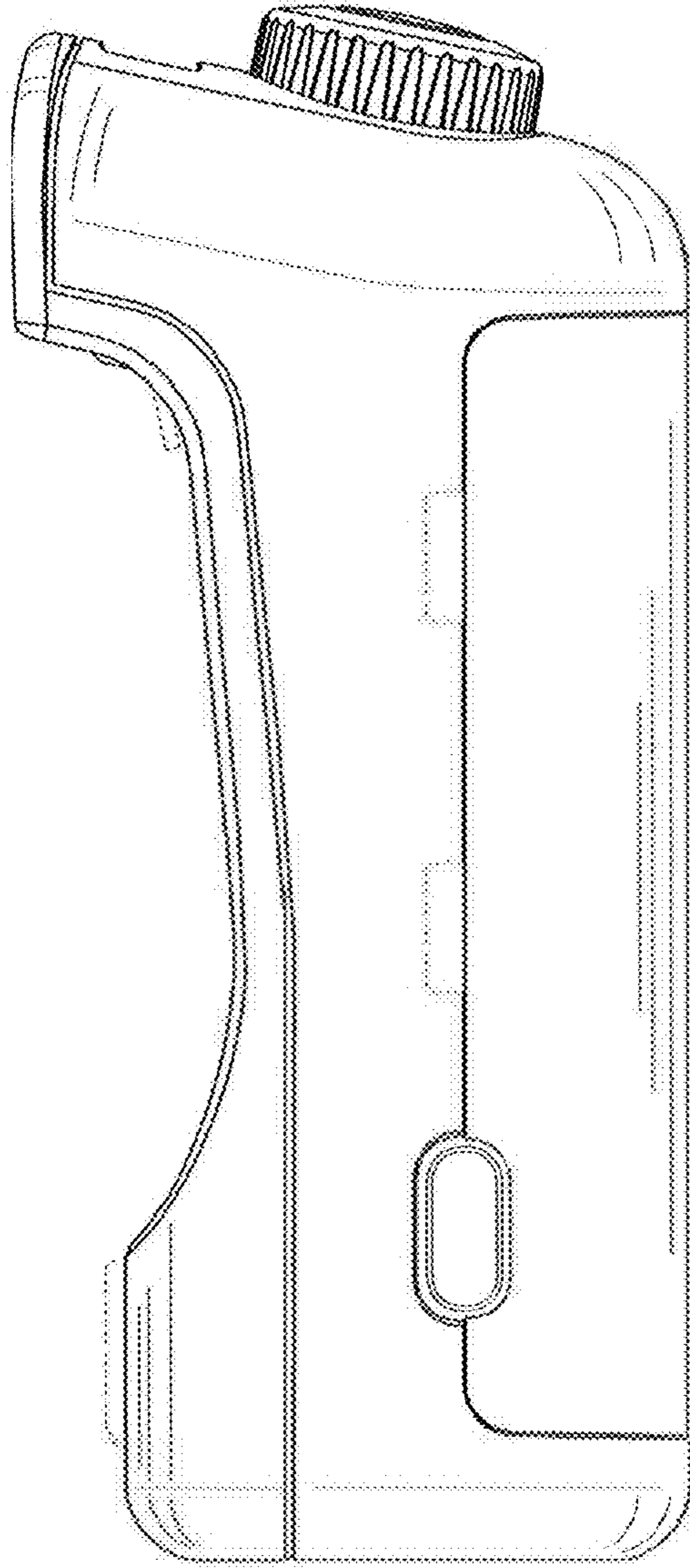


FIG. 5

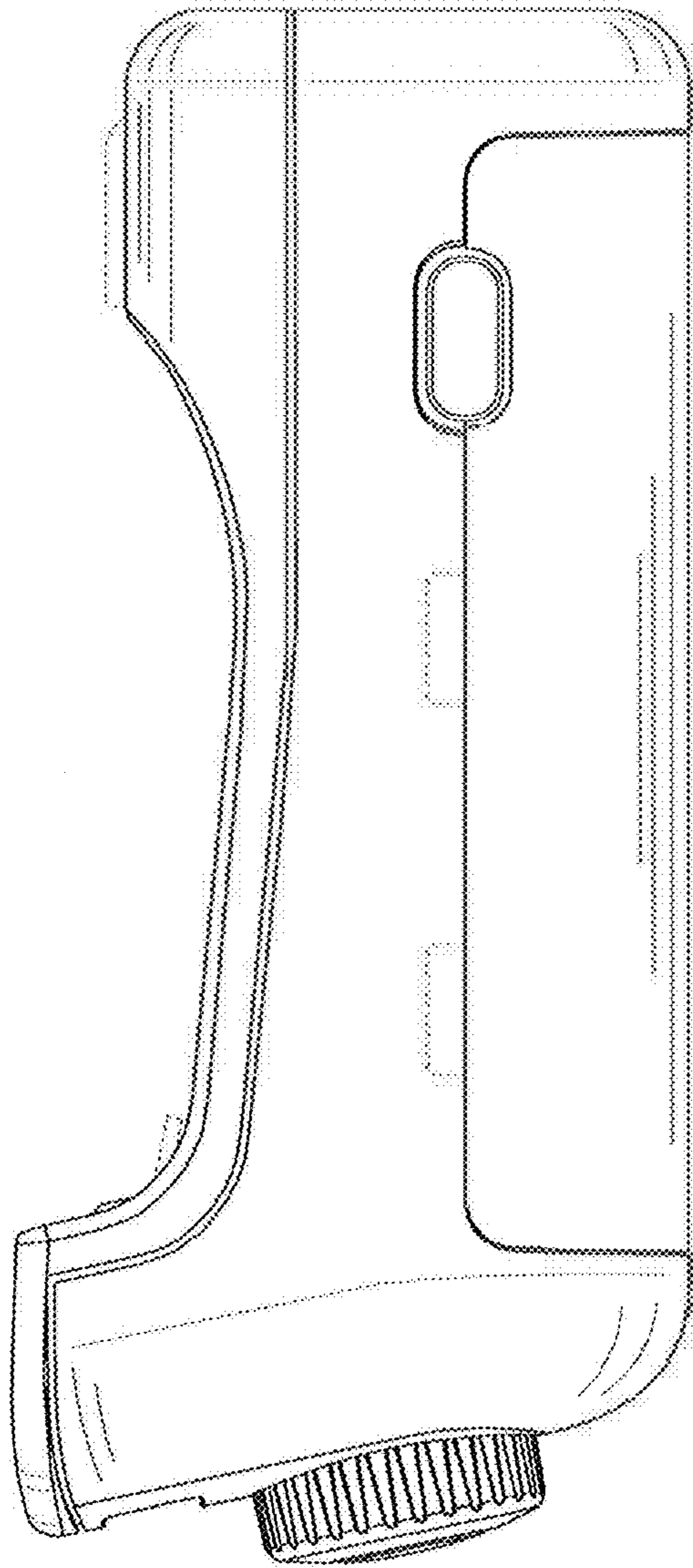


FIG. 6



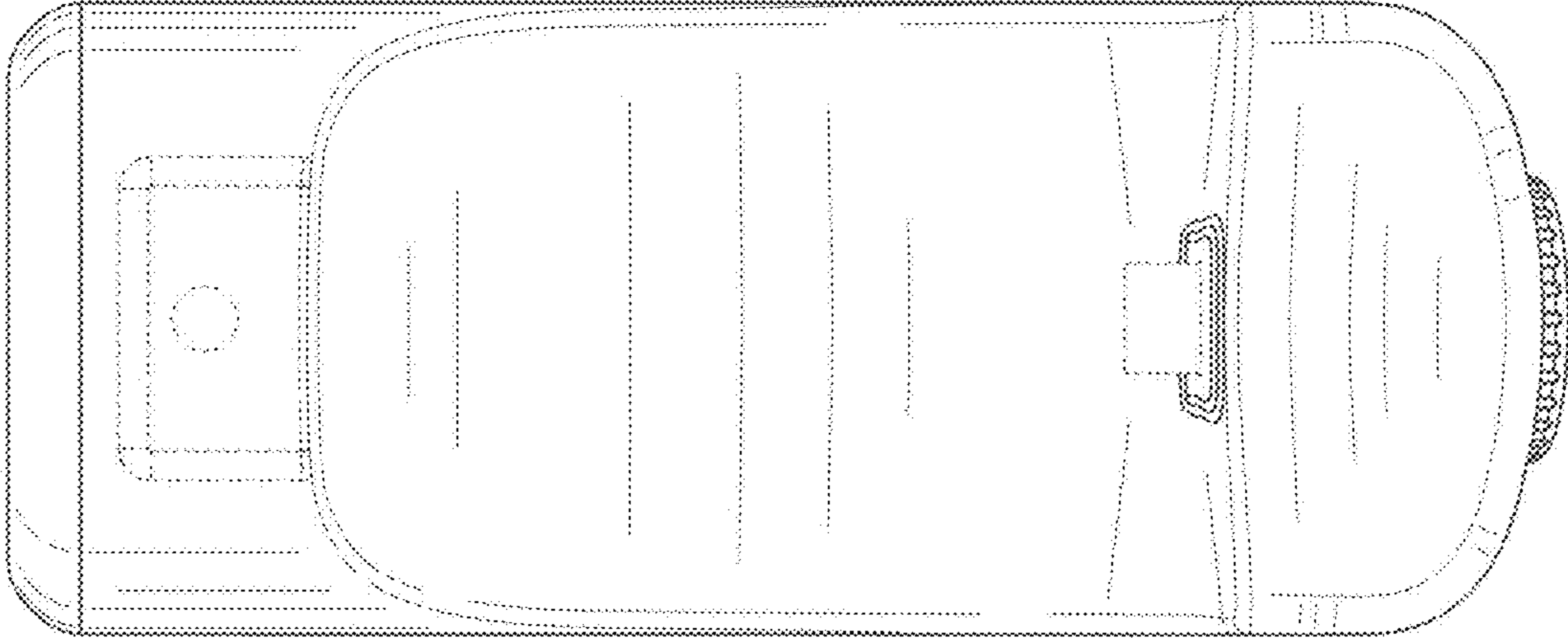


FIG. 7

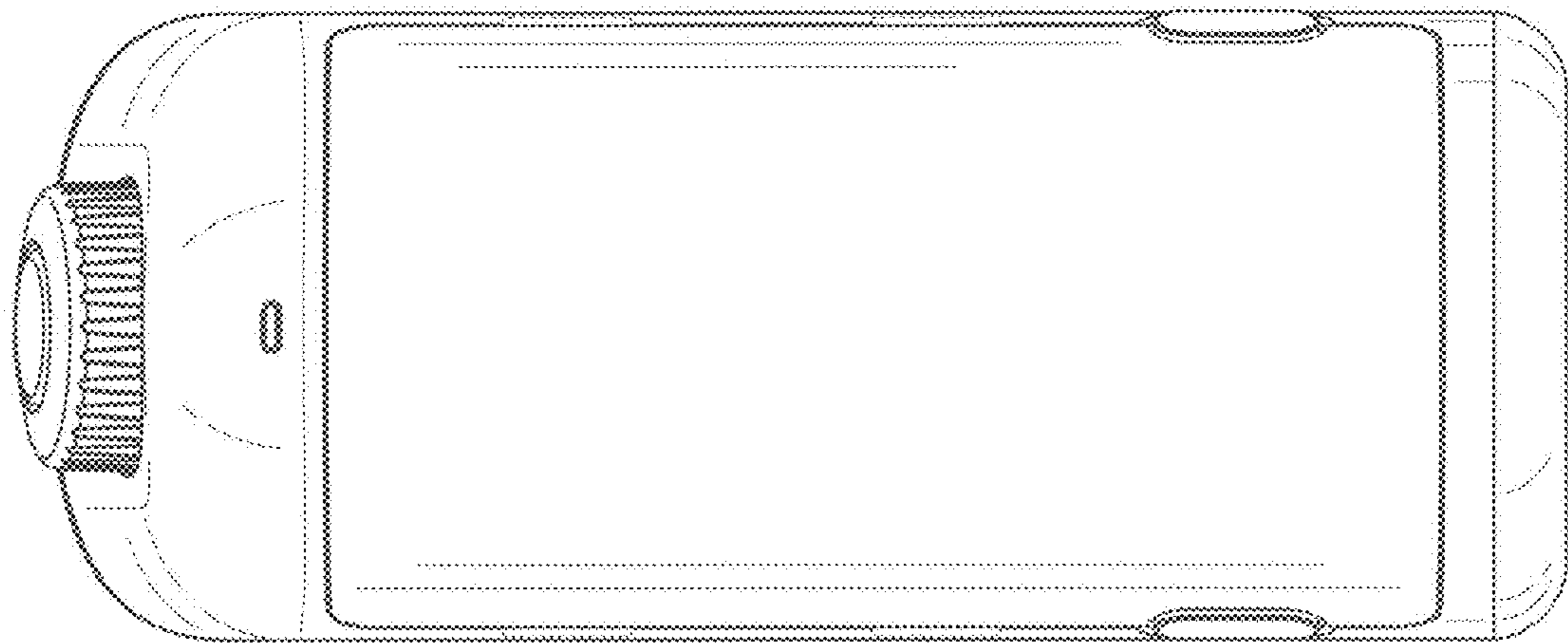


FIG. 8

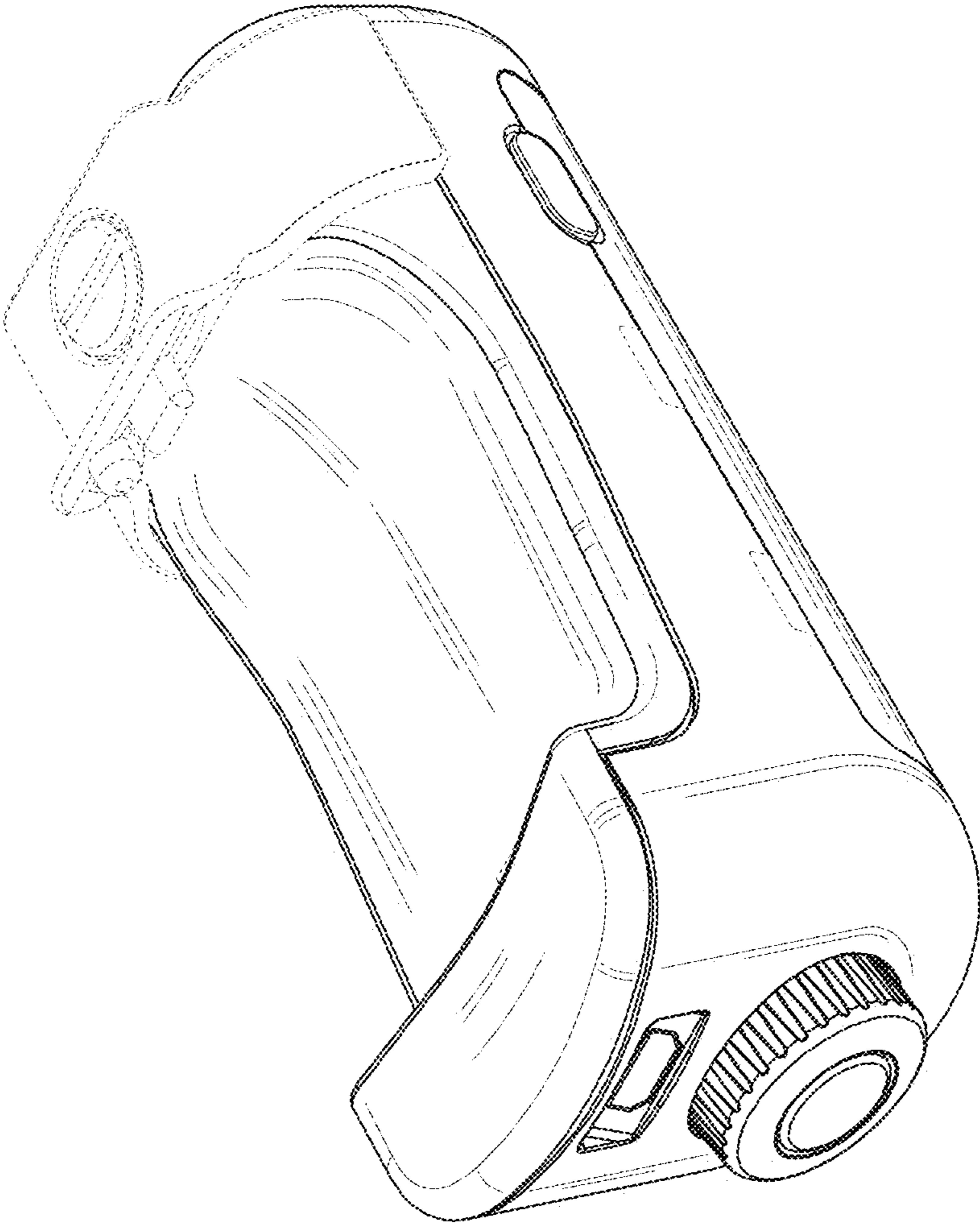


FIG. 9

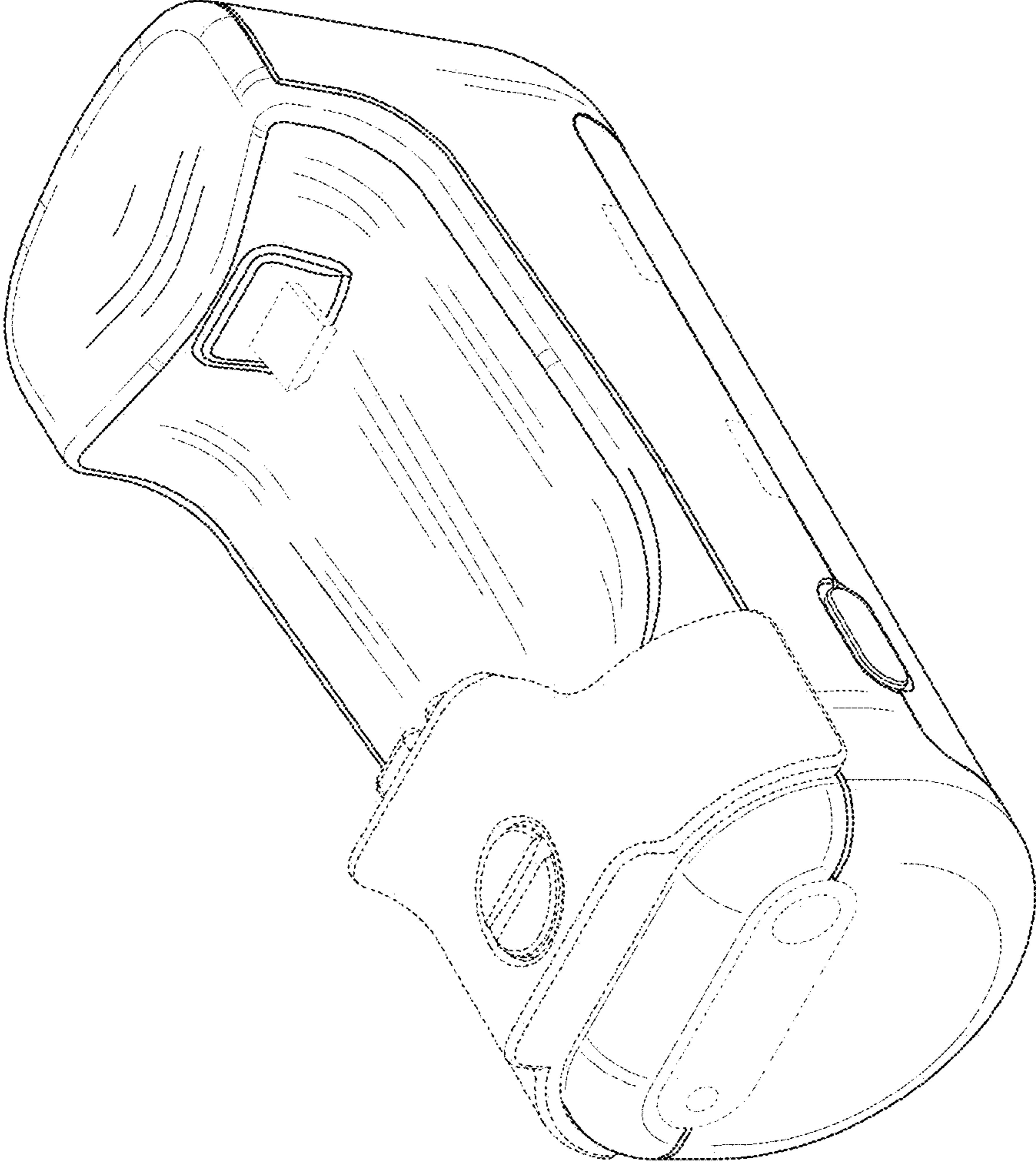


FIG.10