



US00D933756S

(12) **United States Design Patent**  
**Ginman et al.**

(10) **Patent No.:** **US D933,756 S**

(45) **Date of Patent:** **\*\* Oct. 19, 2021**

(54) **BUILDING BLOCK FROM A TOY BUILDING SET**

(71) Applicant: **MODU ApS**, Frederiksberg C (DK)

(72) Inventors: **Theo Fischer Ginman**, Frederiksberg C (DK); **Jonathan Rasmussen**, København N (DK)

(73) Assignee: **MODU ApS**, Frederiksberg C (DK)

(\*\*) Term: **15 Years**

(21) Appl. No.: **29/640,539**

(22) Filed: **Mar. 15, 2018**

(30) **Foreign Application Priority Data**

Sep. 19, 2017 (EM) ..... 004362655-0001  
Sep. 19, 2017 (EM) ..... 004362655-0002  
Sep. 19, 2017 (EM) ..... 004362655-0003  
Sep. 19, 2017 (EM) ..... 004362655-0004  
Sep. 19, 2017 (EM) ..... 004362655-0005

(51) **LOC (13) Cl.** ..... **21-01**

(52) **U.S. Cl.**  
USPC ..... **D21/499**; D21/501

(58) **Field of Classification Search**  
USPC ..... D21/468, 470, 471, 478, 479, 484–505;  
D25/113–115, 118  
CPC ..... A63H 33/04; A63H 33/044; A63H 33/06;  
A63H 33/062; A63H 33/086; A63H  
33/088; A63H 33/10; A63H 33/101;  
A63H 33/108; A63H 33/12  
See application file for complete search history.

(56) **References Cited**

U.S. PATENT DOCUMENTS

3,165,750 A \* 1/1965 Tell ..... H01Q 15/10  
29/600  
3,205,611 A \* 9/1965 Onanian ..... A63H 33/103  
446/89

3,235,975 A \* 2/1966 Pierson ..... G09B 23/04  
434/189  
3,975,858 A \* 8/1976 Much ..... A63H 33/102  
446/107  
4,032,155 A \* 6/1977 Thomas ..... A63F 9/06  
273/156  
4,182,072 A \* 1/1980 Much ..... A63H 33/065  
220/4.24  
4,458,441 A \* 7/1984 Brill ..... A63H 33/12  
446/103  
4,602,908 A \* 7/1986 Kroeber ..... A63H 33/088  
446/124  
4,719,738 A \* 1/1988 Lee ..... E01C 5/06  
52/607  
D315,183 S \* 3/1991 Meyer ..... D21/501  
D315,376 S \* 3/1991 Meyer ..... D21/502  
5,009,599 A \* 4/1991 Mueller ..... G09B 1/10  
434/81  
5,013,245 A \* 5/1991 Benedict ..... G09B 1/10  
434/113

(Continued)

*Primary Examiner* — Cynthia M. Chin

(74) *Attorney, Agent, or Firm* — Dinsmore & Shohl LLP

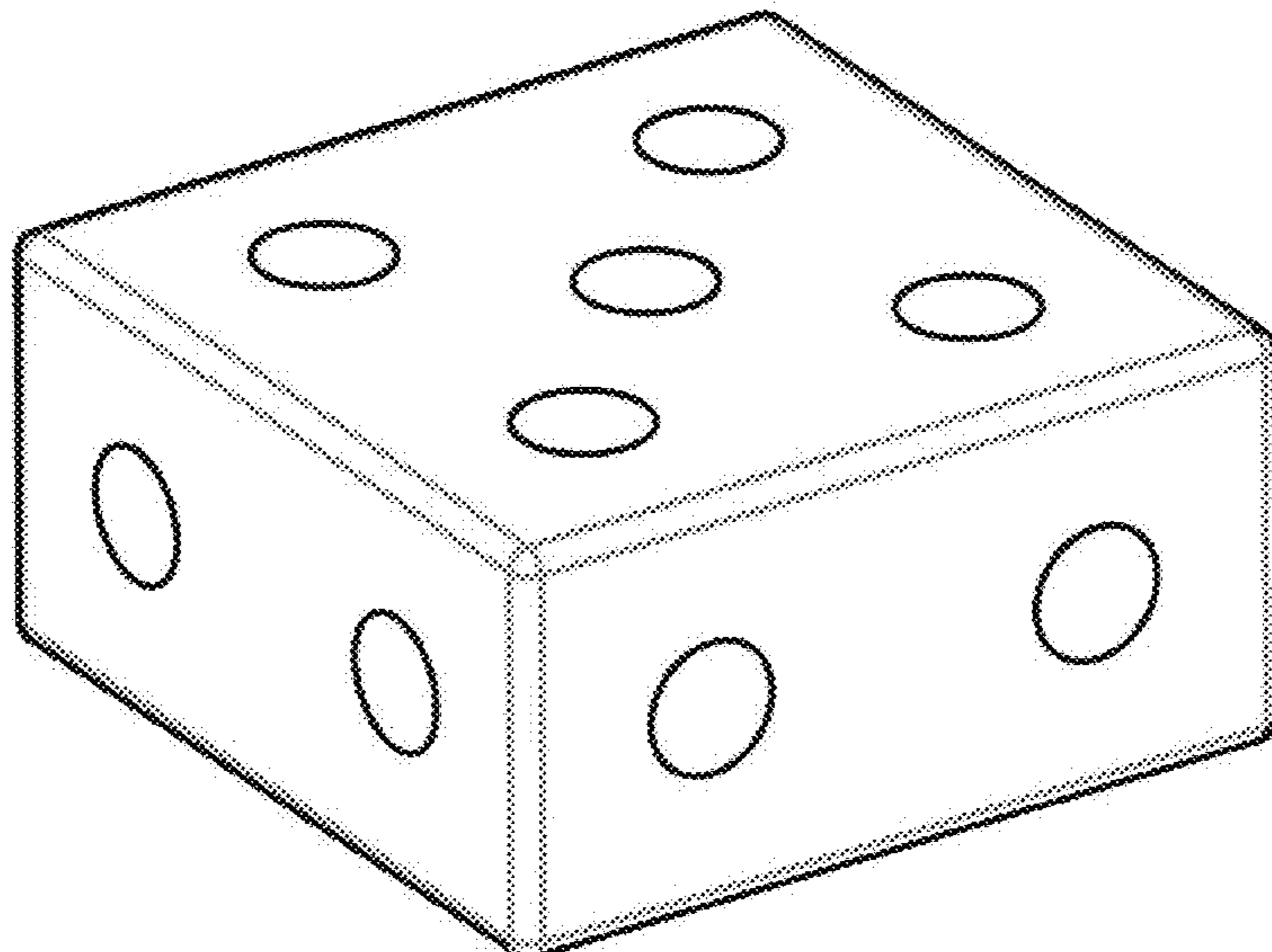
(57) **CLAIM**

The ornamental design for a building block from a toy building set, as shown and described.

**DESCRIPTION**

FIG. 1 is a perspective view, from above, of a building block in accordance with the present invention;  
FIG. 2 is a perspective view, from below, of the building block of FIG. 1;  
FIG. 3 is a front view of the building block of FIGS. 1 and 2, the back and both side views being identical thereto; and,  
FIG. 4 is a top view of the building block of FIGS. 1-3, the bottom view being identical thereto.

**1 Claim, 4 Drawing Sheets**



(56)

**References Cited**

U.S. PATENT DOCUMENTS

5,046,899 A \* 9/1991 Nishi ..... B23B 27/143  
407/102  
D352,077 S \* 11/1994 Sher ..... D21/505  
D594,512 S \* 6/2009 Richards ..... D21/484  
D697,146 S \* 1/2014 Richards ..... D21/484  
9,216,344 B1 \* 12/2015 Peale ..... A63F 9/20  
10,058,792 B2 \* 8/2018 Slepov ..... A63H 33/12  
D845,400 S \* 4/2019 MacArthur ..... D21/501  
10,518,193 B2 \* 12/2019 You ..... A63H 33/107  
2007/0130874 A1 \* 6/2007 Teng-Fu ..... A47C 4/03  
52/633  
2009/0205997 A1 \* 8/2009 Richards ..... A63H 33/108  
206/579  
2016/0375371 A1 \* 12/2016 Slepov ..... A63H 33/12  
446/85

\* cited by examiner

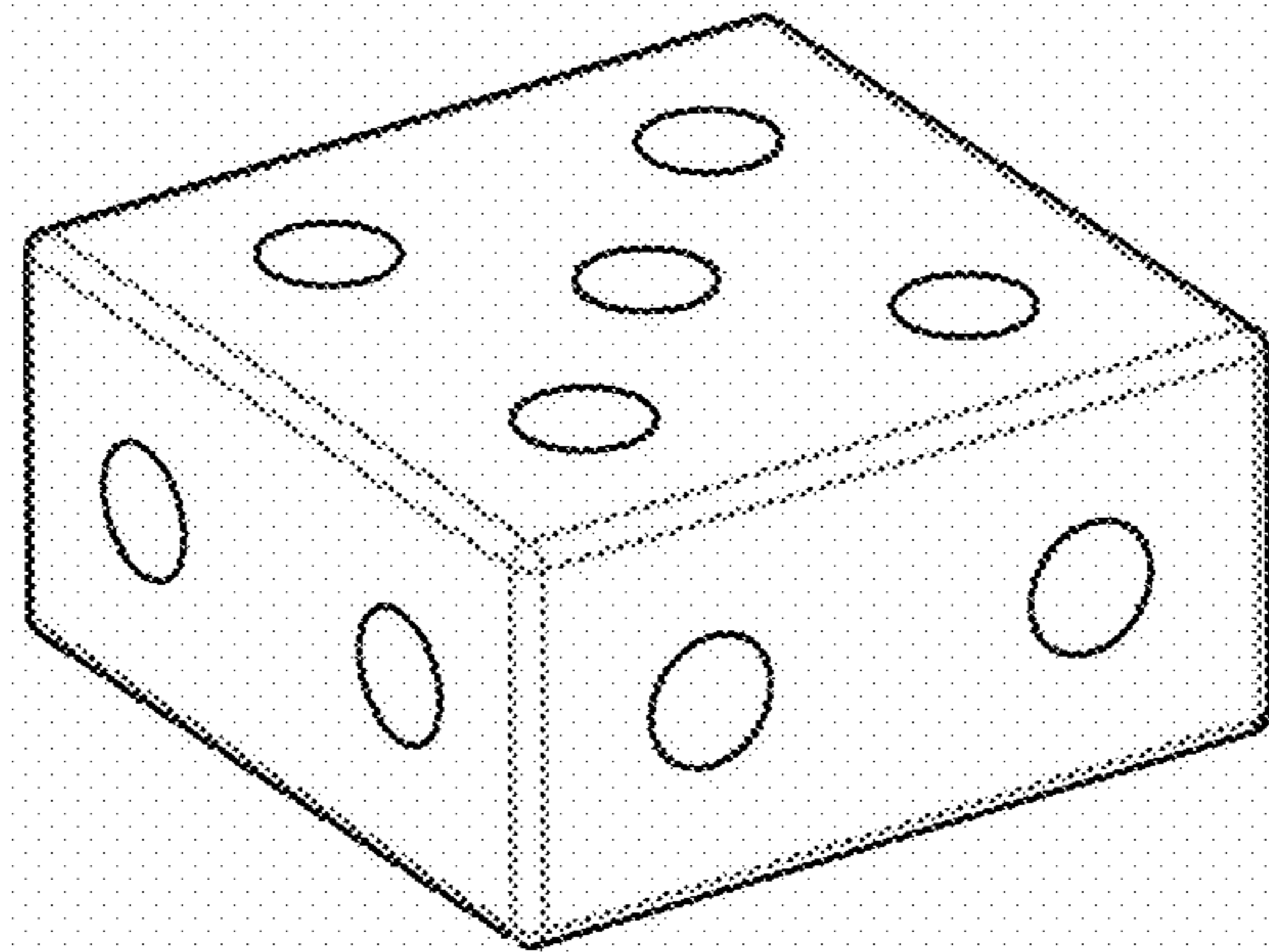


FIG. 1

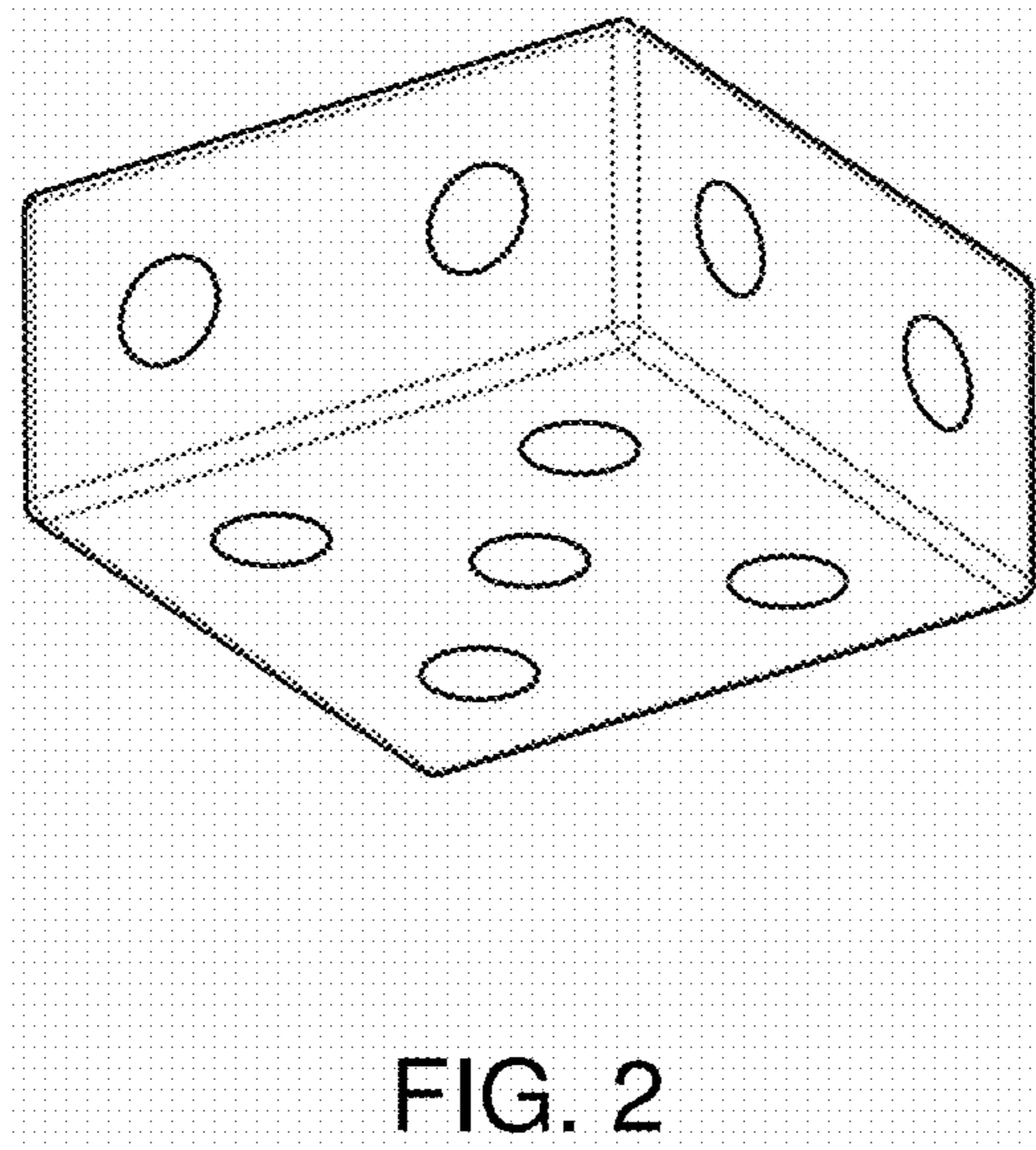


FIG. 2

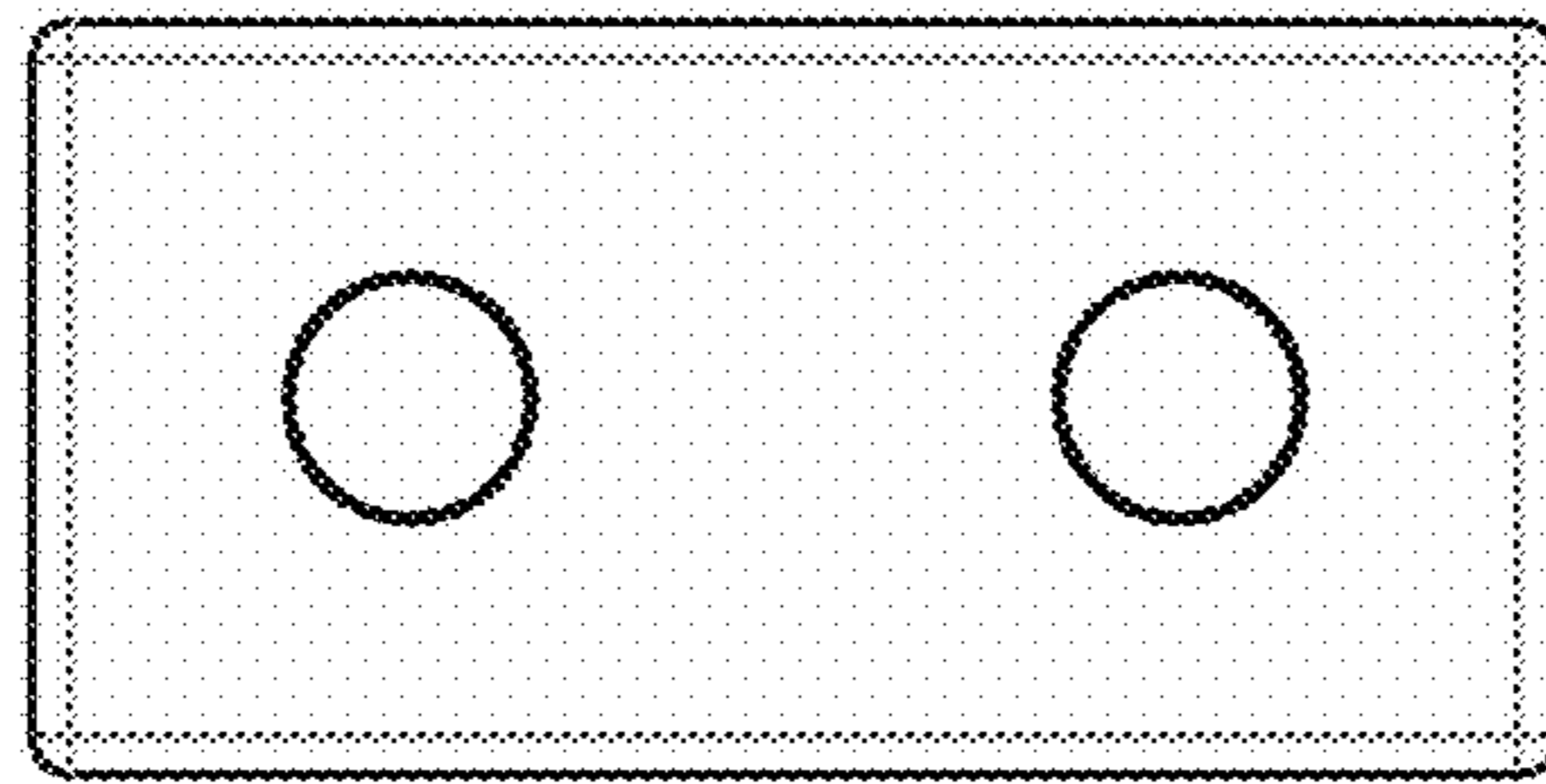


FIG. 3

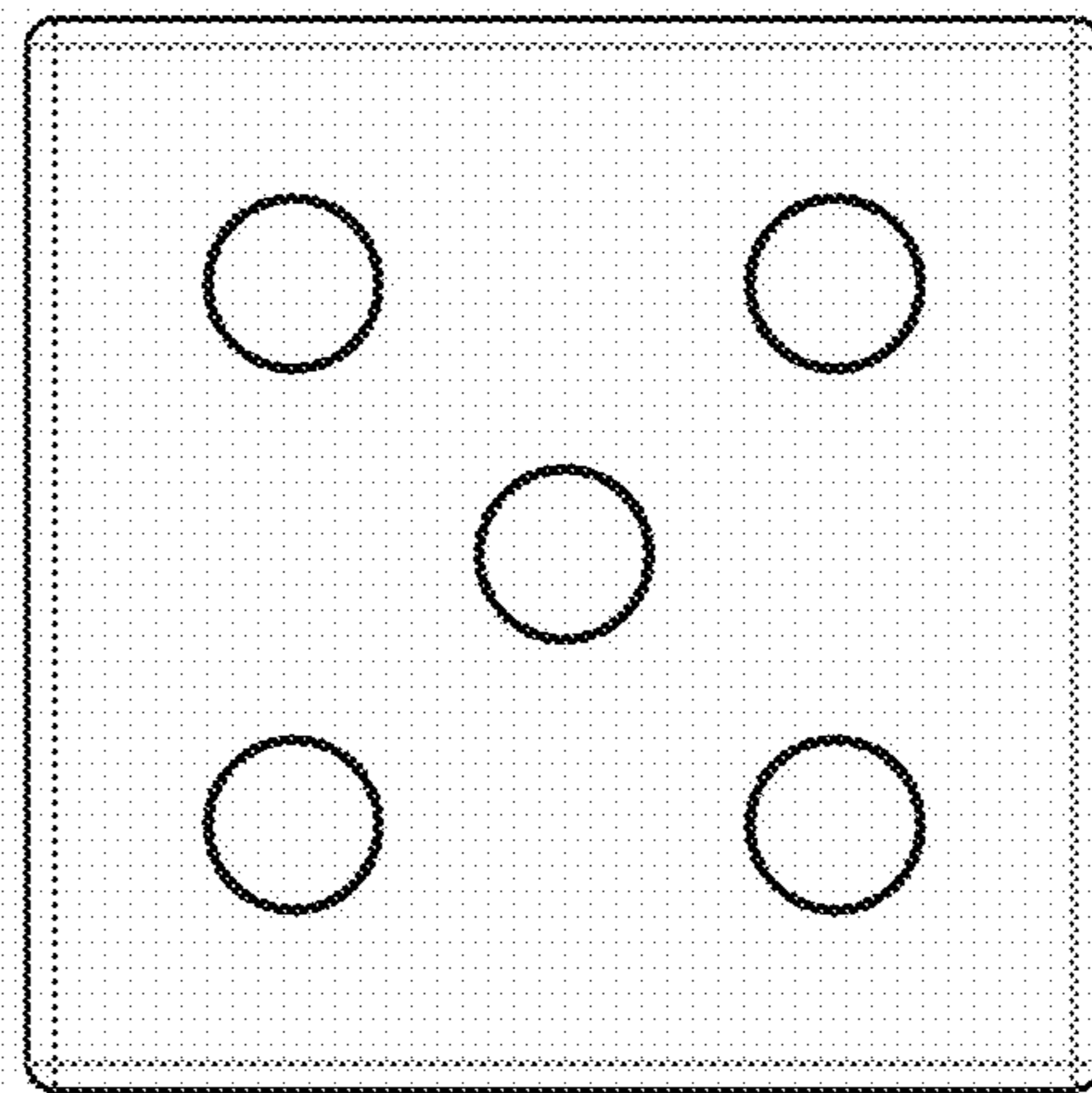


FIG. 4