



US00D933755S

(12) **United States Design Patent** (10) **Patent No.:** **US D933,755 S**  
**Ornstein et al.** (45) **Date of Patent:** **\*\* Oct. 19, 2021**

(54) **TOY CONNECTOR**

(71) Applicant: **Squaregles LLC**, Highland Park, IL (US)

(72) Inventors: **Noah J. Ornstein**, Highland Park, IL (US); **Joseph M. Kelley**, Highland Park, IL (US)

(73) Assignee: **Squaregles LLC**, Highland Park, IL (US)

(\*\*) Term: **15 Years**

(21) Appl. No.: **29/728,416**

(22) Filed: **Mar. 18, 2020**

(51) **LOC (13) Cl.** ..... **21-01**

(52) **U.S. Cl.**  
USPC ..... **D21/486**; D8/382

(58) **Field of Classification Search**  
USPC ..... D21/484–505; D8/382  
CPC ..... A63H 33/00; A63H 33/04; A63H 33/06;  
A63H 33/062; A63H 33/065; A63H  
33/10; A63H 33/101; A63H 33/102;  
A63H 33/105  
See application file for complete search history.

(56) **References Cited**

U.S. PATENT DOCUMENTS

D213,709	S *	4/1969	Gale	.....	D21/504
D230,759	S *	3/1974	Hammel	.....	D21/484
4,345,762	A *	8/1982	Lebelson	.....	A63F 3/00697
					273/157 R
8,011,156	B1 *	9/2011	Schwan	.....	A63H 33/044
					52/653.1
D657,661	S *	4/2012	Cochrane	.....	D8/382
D681,430	S *	5/2013	Heindl	.....	D8/382
D696,575	S *	12/2013	Heindl	.....	D8/382
9,314,707	B2	4/2016	Ornstein et al.		
9,713,777	B2 *	7/2017	Peterson	.....	B29C 65/56

(Continued)

*Primary Examiner* — Cynthia M. Chin

(74) *Attorney, Agent, or Firm* — Fitch, Even, Tabin & Flannery, LLP

(57) **CLAIM**

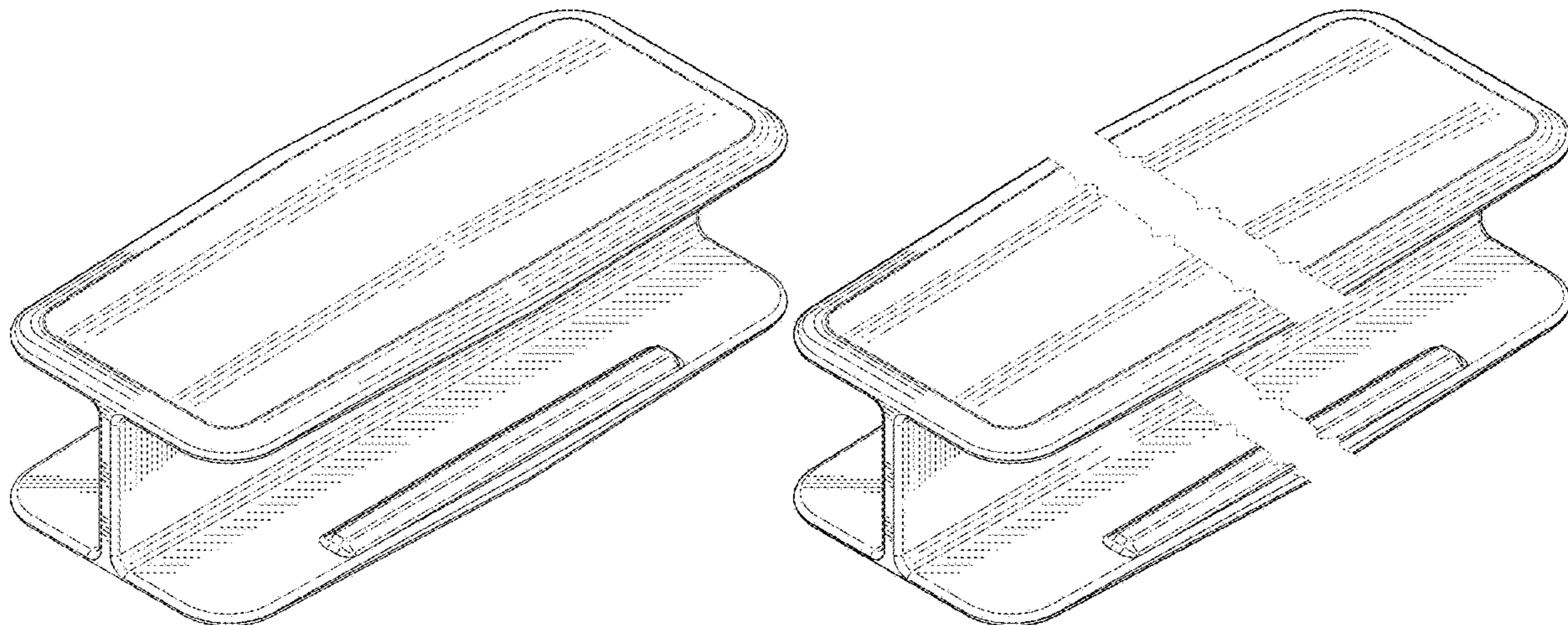
The ornamental design for a toy connector, as shown and described.

**DESCRIPTION**

FIG. 1 is a front perspective view of the toy connector according to a first embodiment of our new design; FIG. 2 is a top plan view thereof, the bottom plan view being identical thereto; FIG. 3 is a right side elevation view thereof, the left side elevation view being identical thereto; FIG. 4 is a front elevation view thereof, the rear elevation view being identical thereto; FIG. 5 is a front perspective view of the toy connector according to a second embodiment of our new design; FIG. 6 is a top plan view thereof, the bottom plan view being identical thereto; FIG. 7 is a right side elevation view thereof, the left side elevation view being identical thereto; FIG. 8 is a front elevation view thereof, the rear elevation view being identical thereto; FIG. 9 is a front perspective view of the toy connector according to a third embodiment of our new design; FIG. 10 is a top plan view thereof, the bottom plan view being identical thereto; FIG. 11 is a right side elevation view thereof, the left side elevation view being identical thereto; and, FIG. 12 is a front elevation view thereof, the rear elevation view being identical thereto.

In FIGS. 5-7 and 9-11, the toy connector is shown with a symbolic break in its length. In FIGS. 9-10 and 12, the toy connector is shown with a symbolic break in its width. The dashed break lines and the appearance of any portion of the article between the dashed break lines form no part of the claimed design.

**1 Claim, 9 Drawing Sheets**



(56)

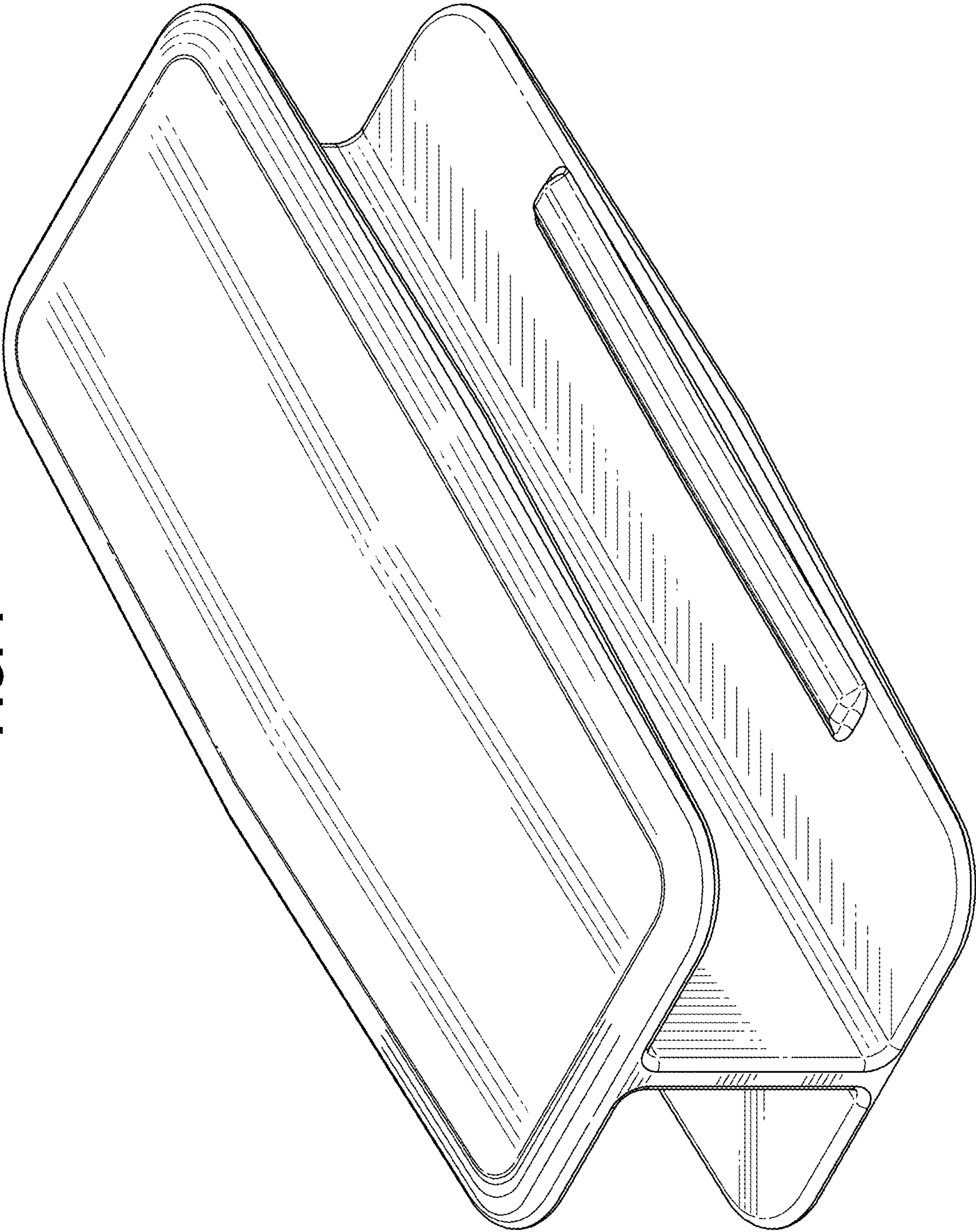
**References Cited**

U.S. PATENT DOCUMENTS

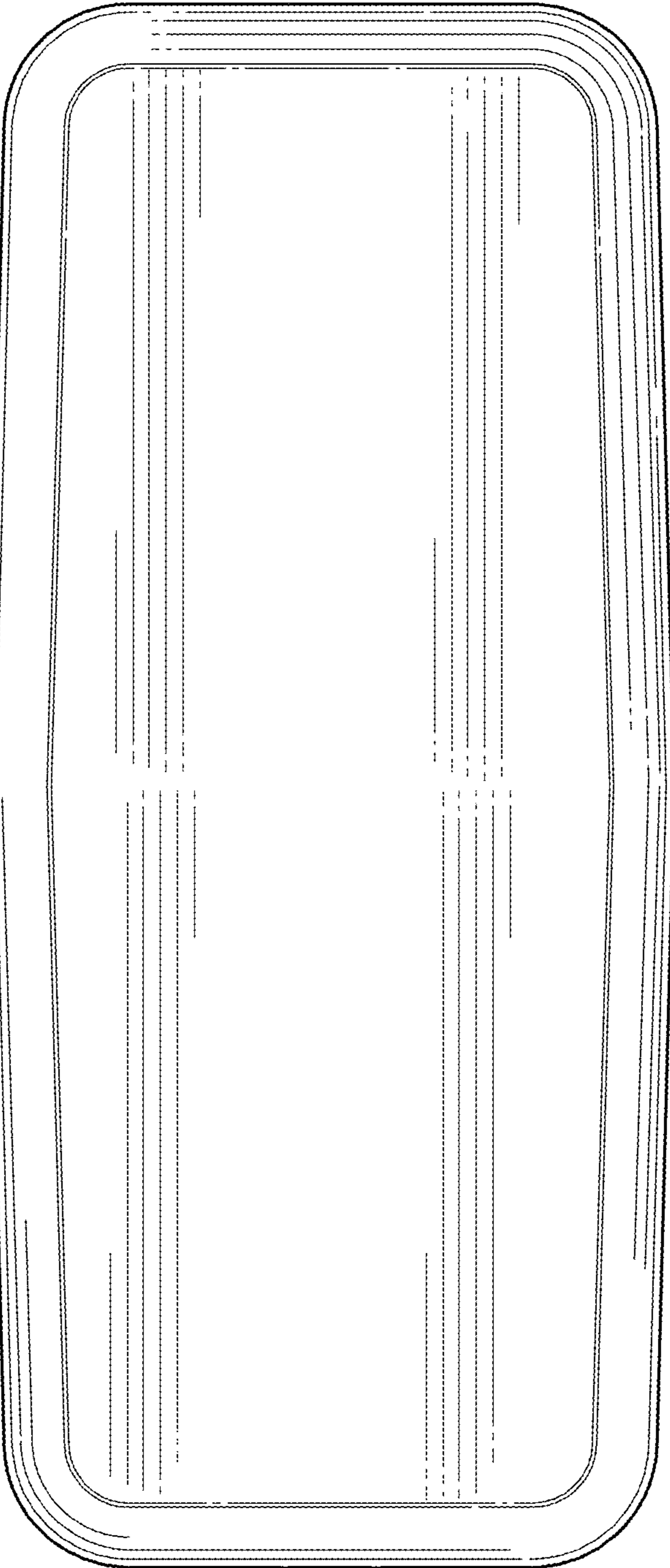
9,887,049 B2 \* 2/2018 De La Rosa ..... A01K 1/031  
D820,359 S \* 6/2018 Deemer ..... D21/484  
D832,366 S \* 10/2018 Ornstein ..... D21/486  
10,220,325 B1 3/2019 Kelley et al.  
10,258,896 B2 4/2019 Ornstein et al.  
D856,431 S \* 8/2019 Kipling ..... D21/484  
2019/0209940 A1 7/2019 Ornstein et al.  
2020/0360831 A1 \* 11/2020 Haldeman ..... A63H 33/105

\* cited by examiner

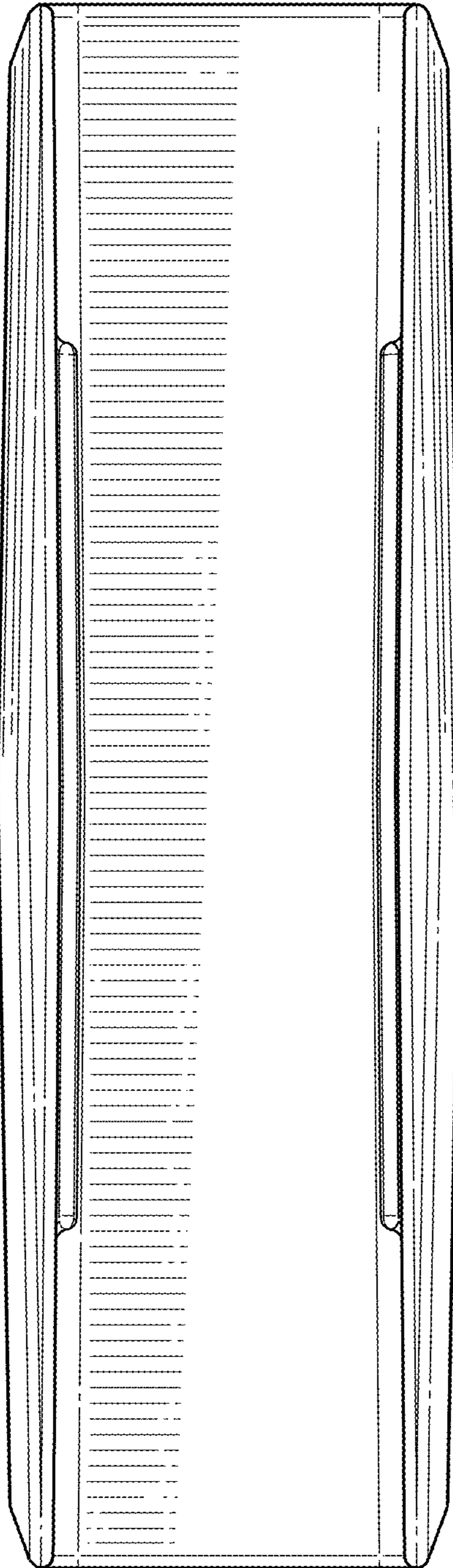
FIG. 1



**FIG. 2**



**FIG. 3**



**FIG. 4**

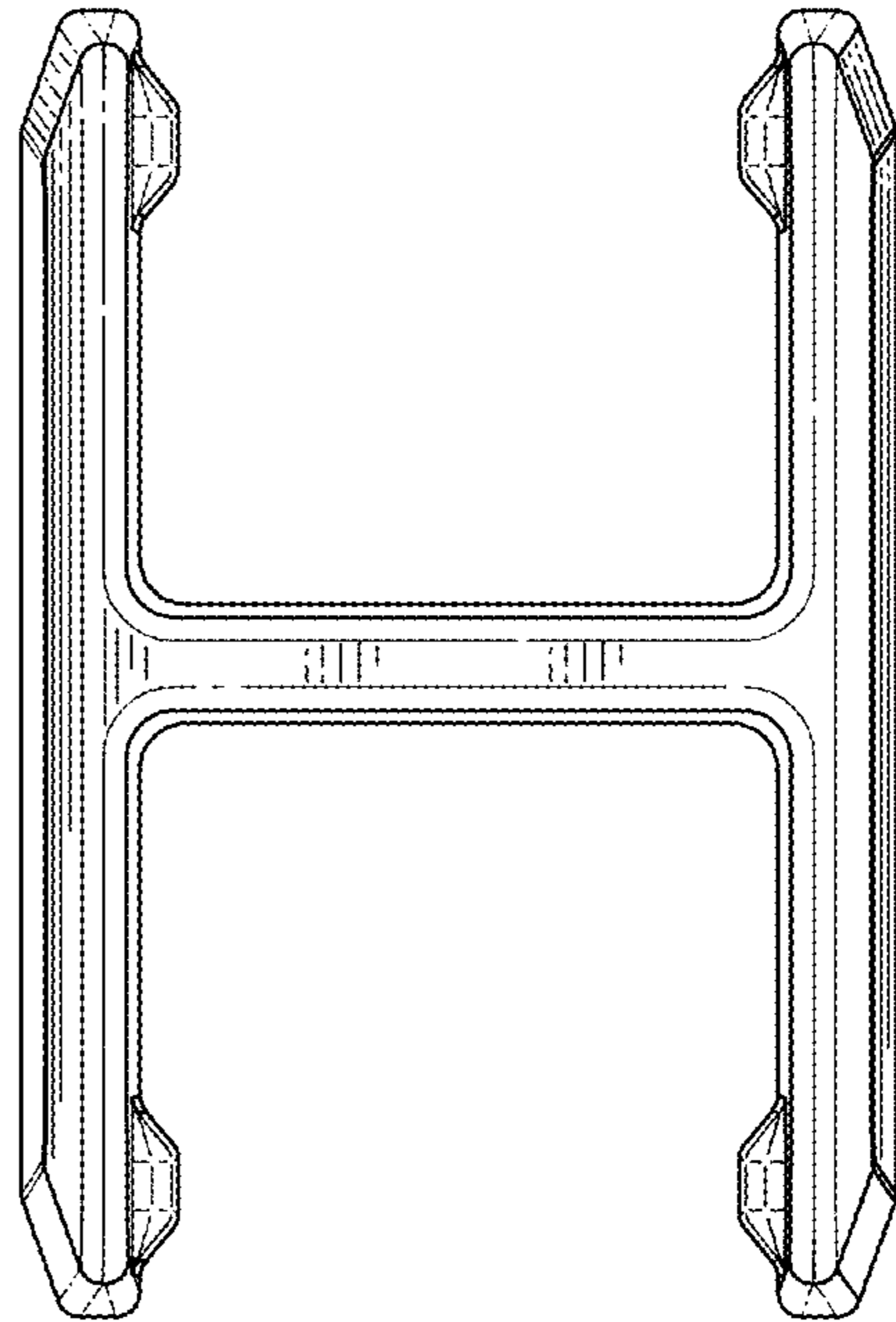


FIG. 5

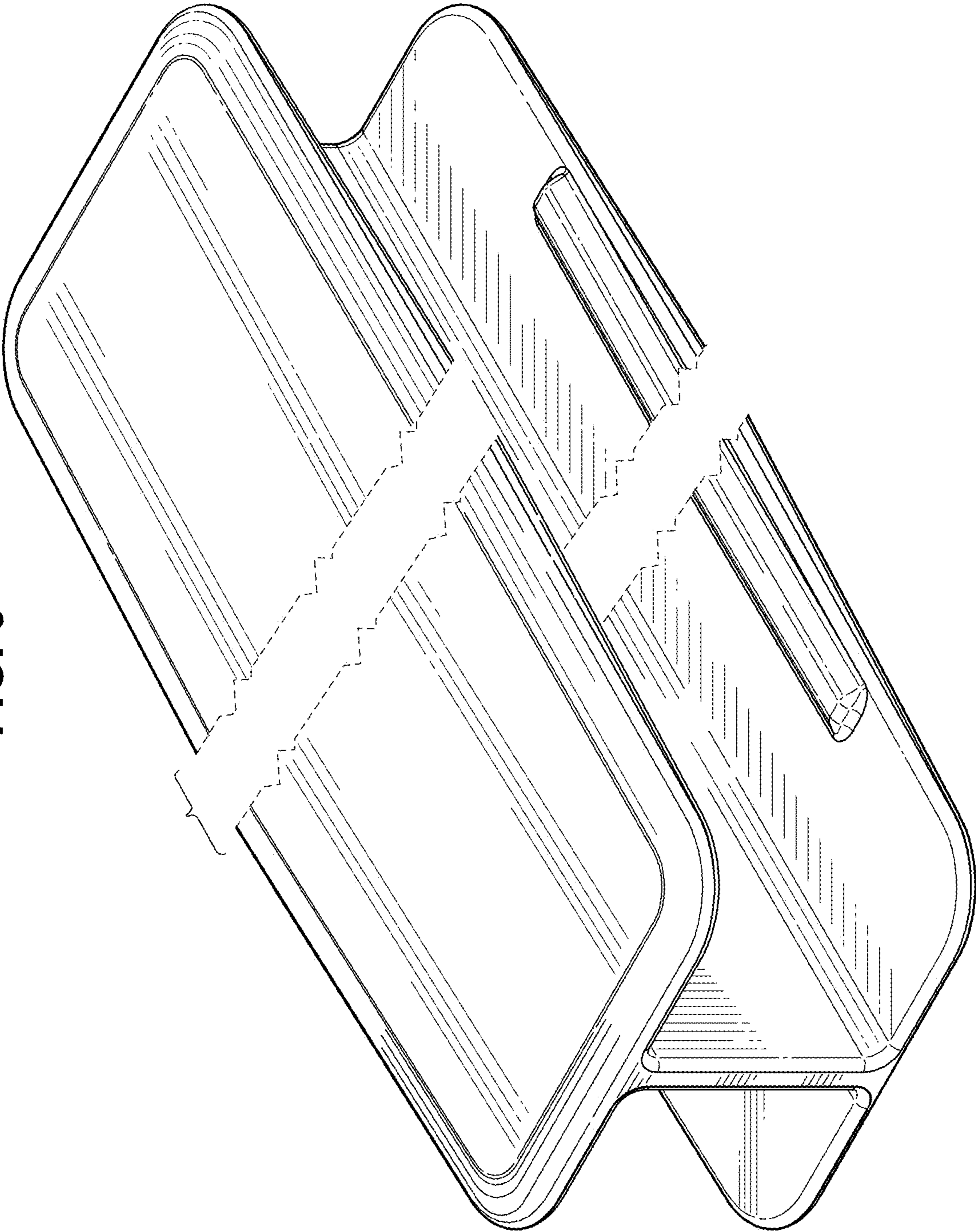


FIG. 6

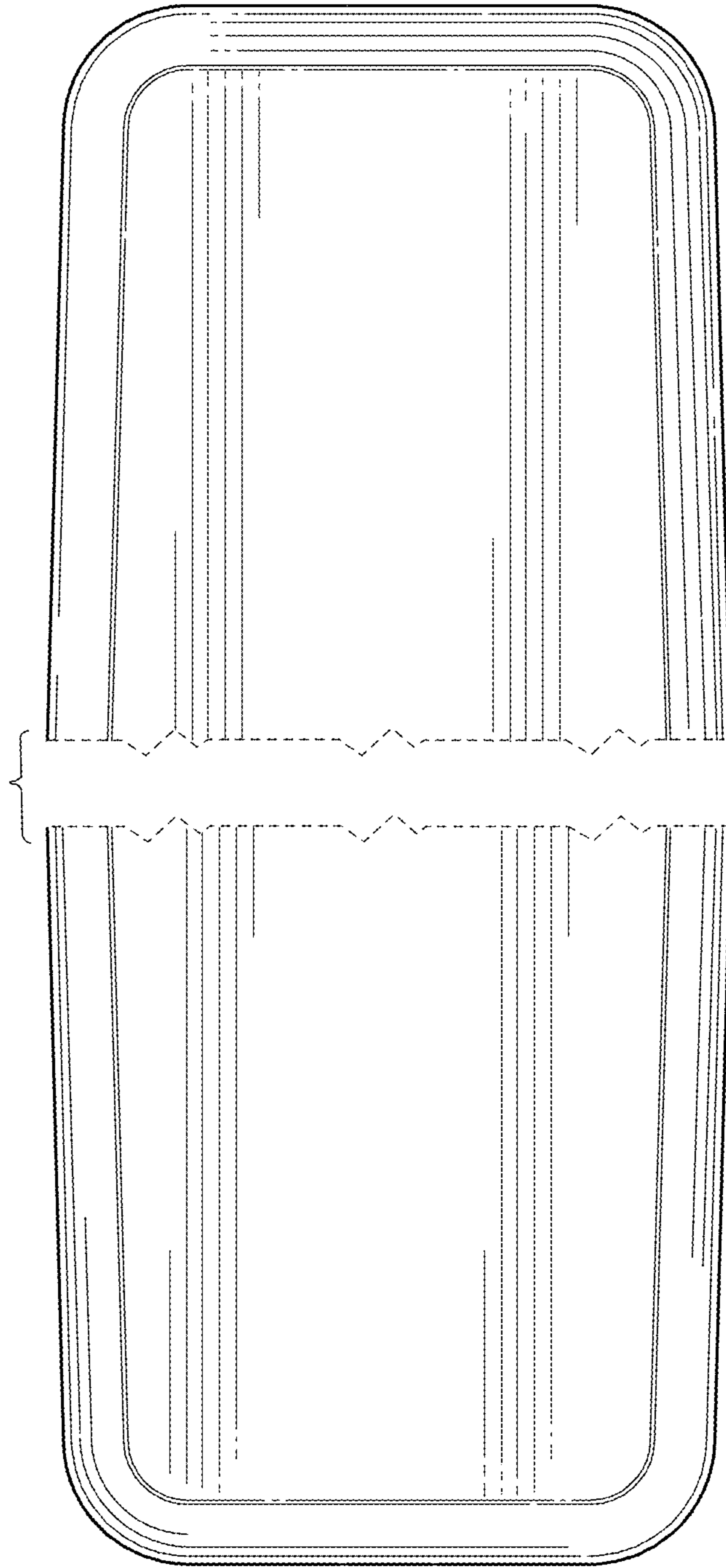


FIG. 7

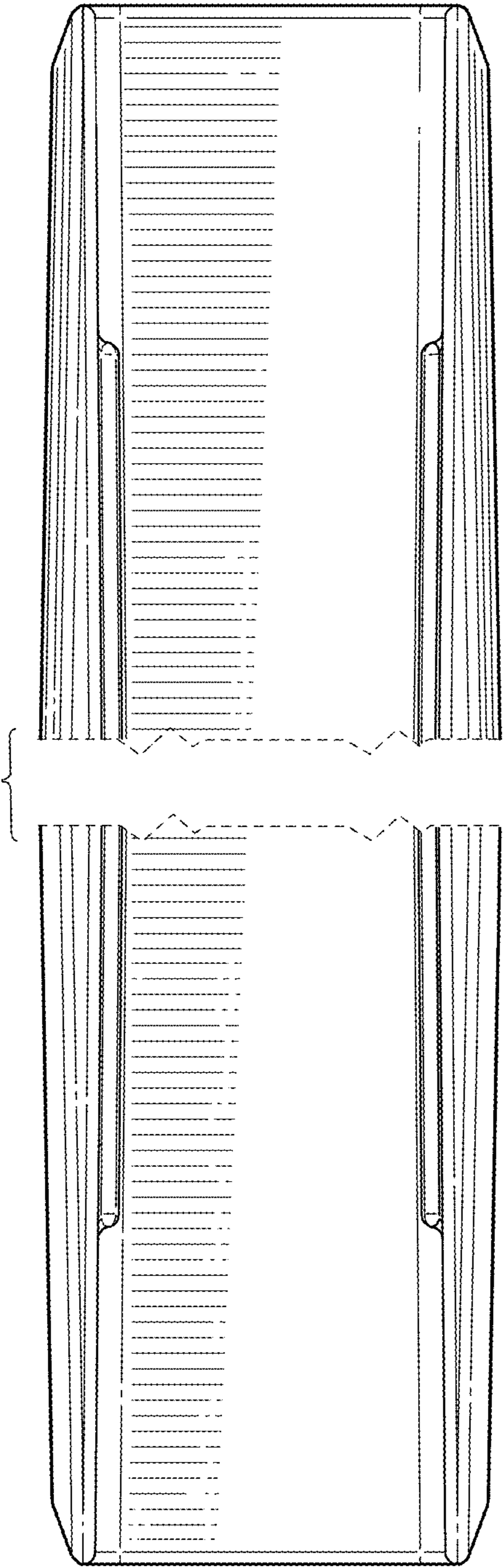
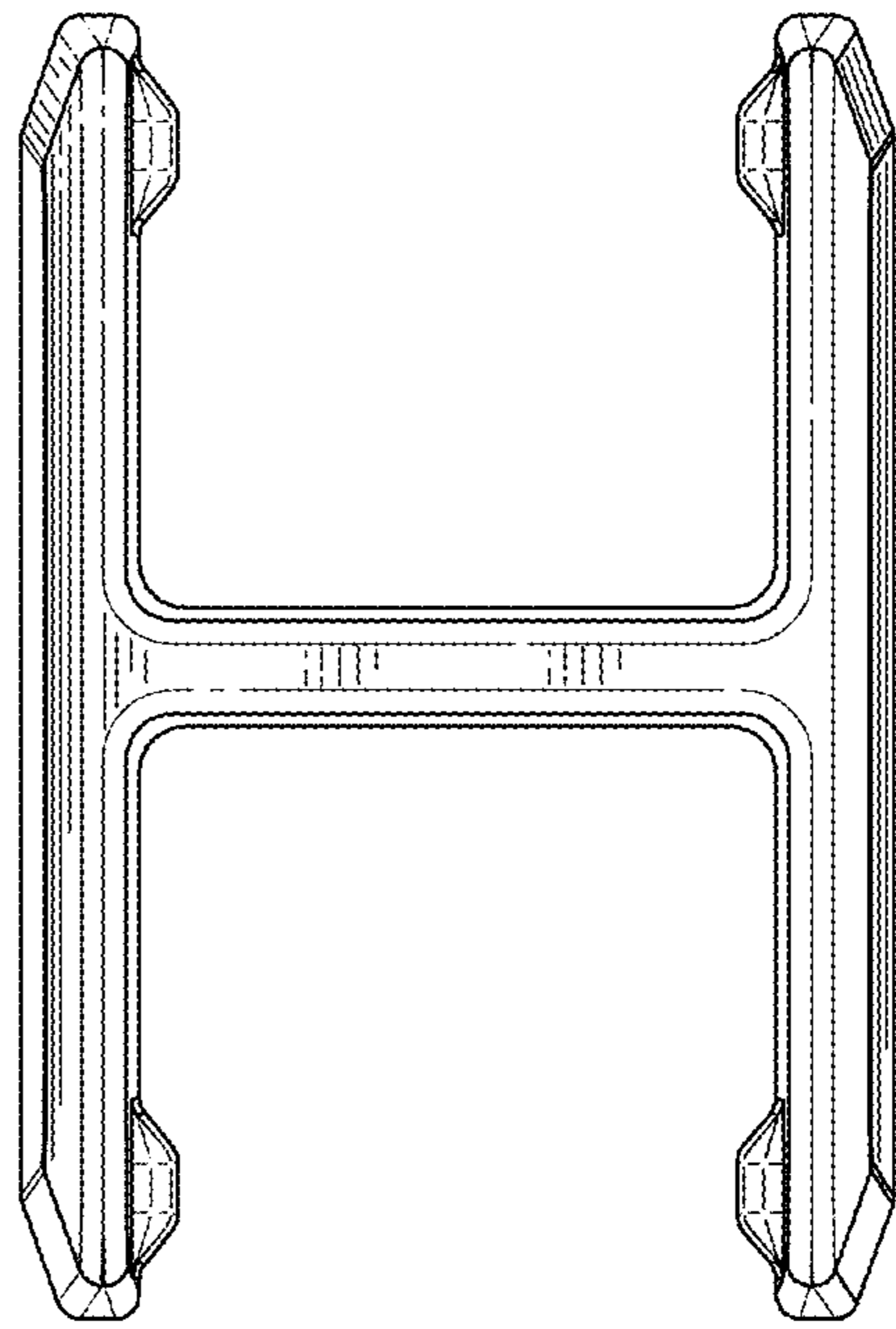


FIG. 8





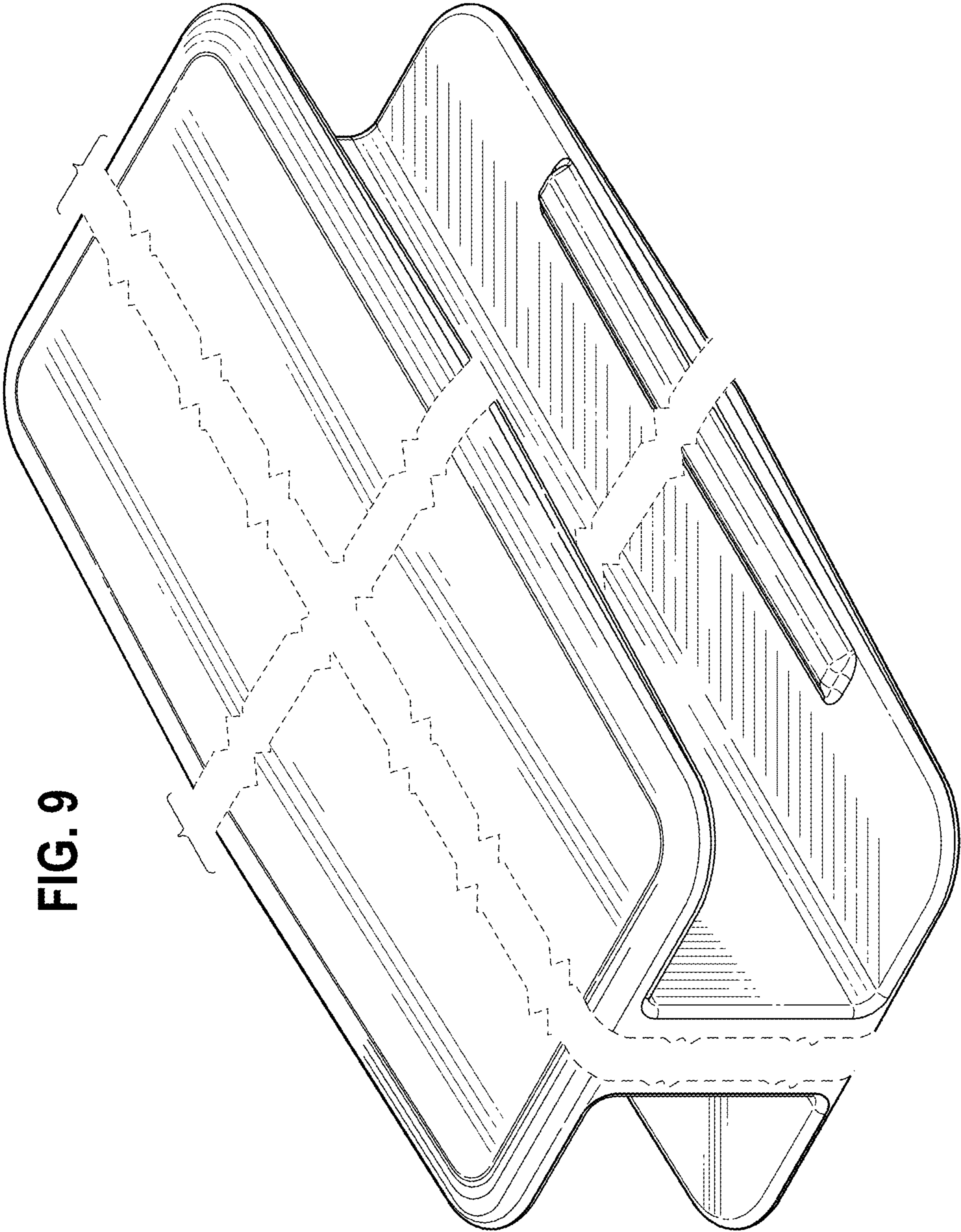


FIG. 9

**FIG. 10**

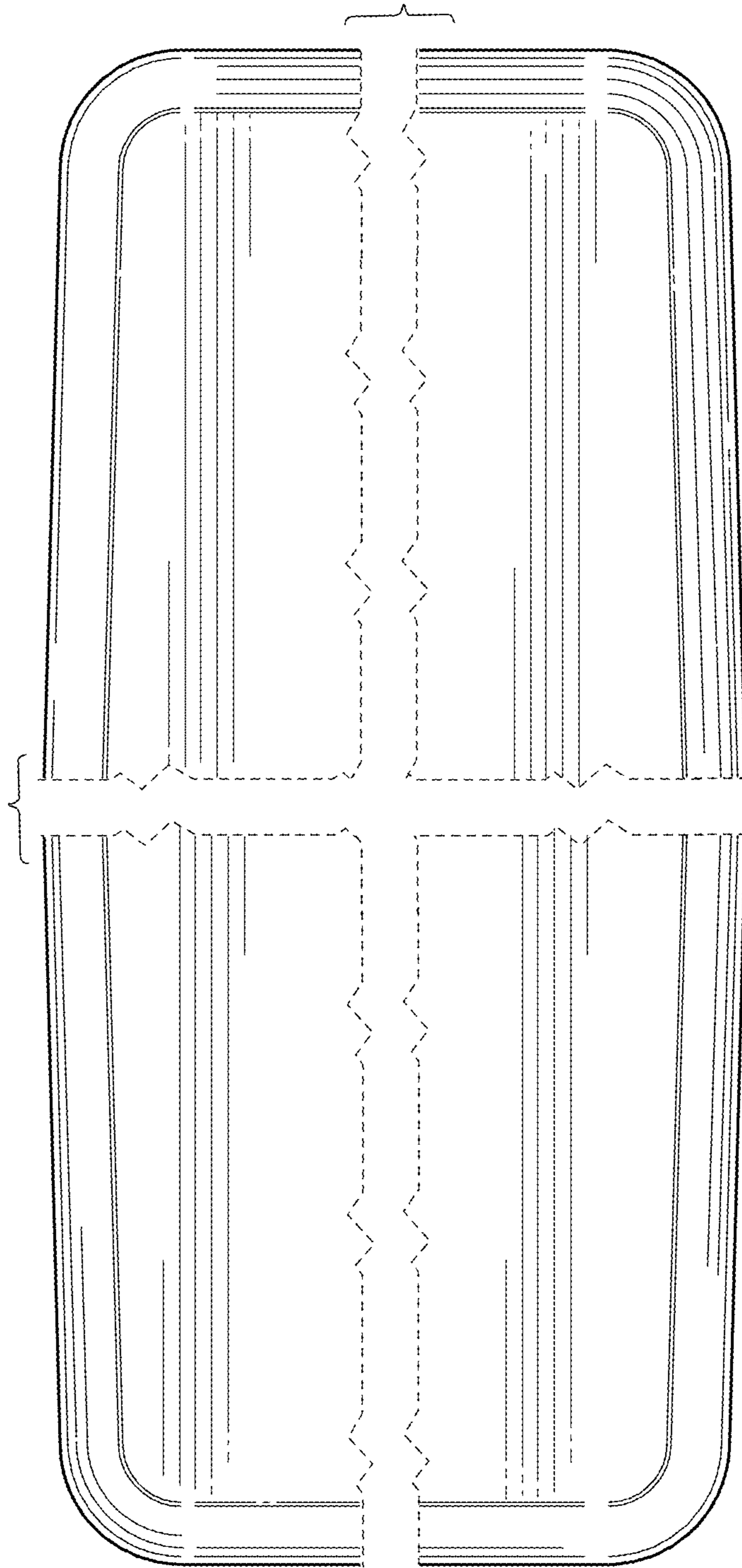


FIG. 11

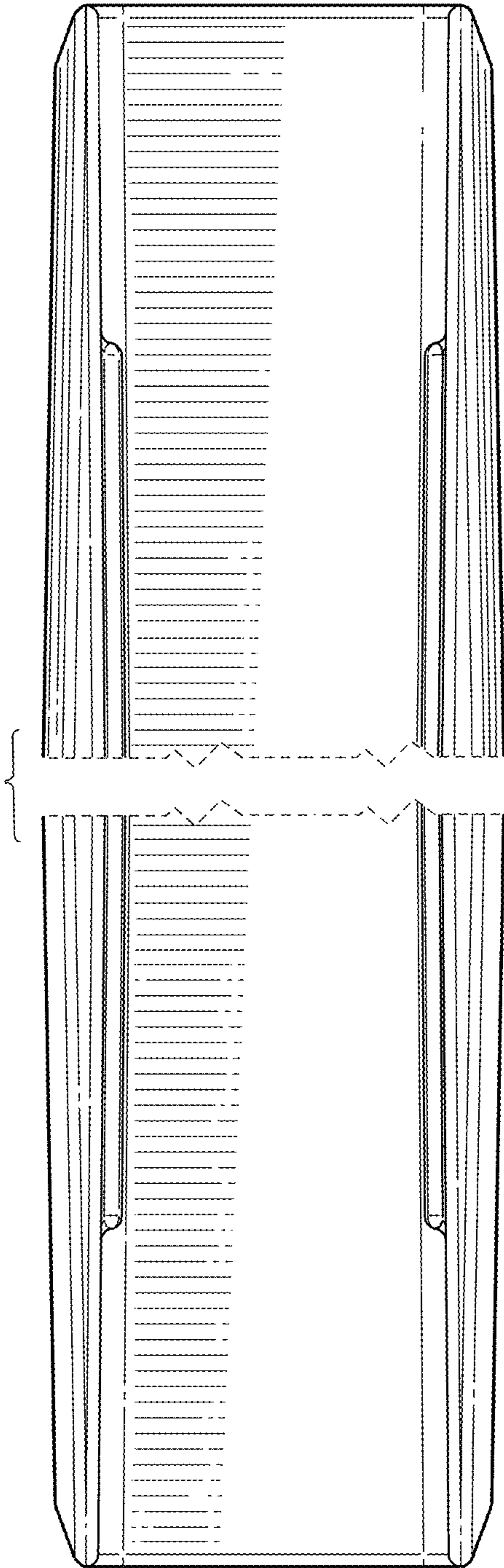


FIG. 12

