



US00D933754S

(12) **United States Design Patent** (10) **Patent No.:** **US D933,754 S**
Tsoi (45) **Date of Patent:** **** Oct. 19, 2021**

(54) **TOY FISHING POLE**

(71) Applicant: **Sung Hang Tsoi**, Chai Wan (HK)

(72) Inventor: **Sung Hang Tsoi**, Chai Wan (HK)

(**) Term: **15 Years**

(21) Appl. No.: **29/721,954**

(22) Filed: **Jan. 24, 2020**

(51) **LOC (13) Cl.** **21-01**

(52) **U.S. Cl.**
USPC **D21/483**

(58) **Field of Classification Search**
USPC D21/650, 599, 483
See application file for complete search history.

(56) **References Cited**

U.S. PATENT DOCUMENTS

2,738,617	A *	3/1956	Capehart	A63H 7/06 446/278
D247,259	S *	2/1978	Yonezawa	D21/592
D364,438	S *	11/1995	Carlisle	D21/650
D417,476	S *	12/1999	Frederiksen	D21/650
D698,396	S *	1/2014	Friedland	D21/650
D710,192	S *	8/2014	Halbur	D21/650
D755,312	S *	5/2016	Summers	D21/650
D834,658	S *	11/2018	Jamison	D21/650
2006/0016116	A1 *	1/2006	Yu	A01K 87/04 43/24
2009/0241405	A1 *	10/2009	Foss	A01K 87/007 43/17
2010/0293833	A1 *	11/2010	Bossone, III	A01K 85/10 43/17.6
2011/0005120	A1 *	1/2011	de Koning	A01K 87/00 43/19
2014/0237889	A1 *	8/2014	Tamburro	A01K 85/00 43/42.09
2014/0360085	A1 *	12/2014	Stender	A01K 87/04 43/18.1 CT

(Continued)

OTHER PUBLICATIONS

Cozybomb fishing, announced 2017 [online], [site visited Jul. 2, 2021]. Available on internet, URL:https://www.amazon.com/CozyBomB-Magnetic-Fishing-Game-Kids/dp/B07QWYYG6C/ref=sr_1_52?dchild=1&keywords=toy+fishing+pole&qid=1625239214&sr=8-52 (Year: 2017).*

Primary Examiner — Khawaja Anwar

Assistant Examiner — Julice Seung Eun Oum

(74) *Attorney, Agent, or Firm* — Rumit Ranjit Kanakia

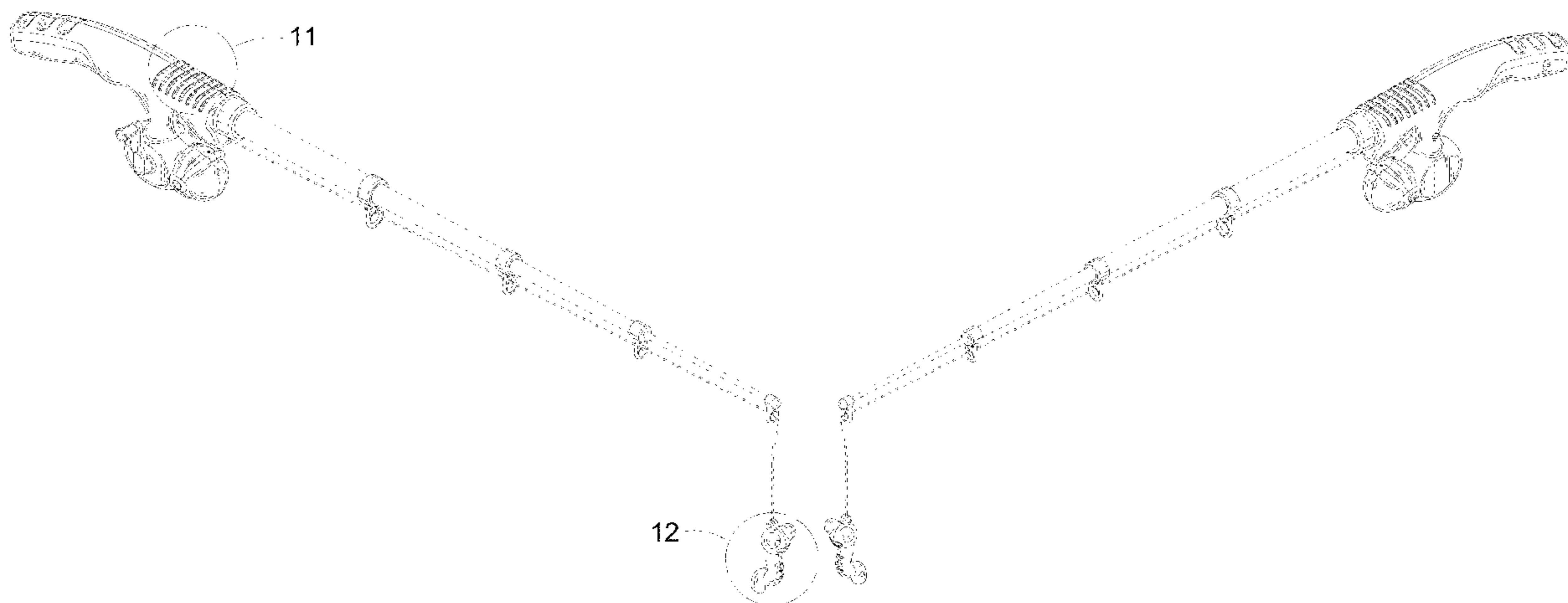
(57) **CLAIM**

The ornamental design for a toy fishing pole, as shown and described.

DESCRIPTION

FIG. 1 is a front elevational view of a toy fishing pole showing my new design;
FIG. 2 is a rear elevational view thereof;
FIG. 3 is a left side view thereof;
FIG. 4 is a right side view thereof;
FIG. 5 is a top plan view thereof;
FIG. 6 is a bottom plan view thereof;
FIG. 7 is a perspective view thereof;
FIG. 8 is another perspective view thereof;
FIG. 9 is a portion of the front view of FIG. 1 enlarged for magnification purposes;
FIG. 10 is a portion of the top view of FIG. 5 enlarged for magnification purposes;
FIG. 11 is a portion of the perspective view of FIG. 7 enlarged for magnification purposes; and,
FIG. 12 is a portion of the perspective view of FIG. 7 enlarged for magnification purposes.
The broken lines illustrate portions of the environment structure which forms no part of the claimed design.
The dot-dash line circle used in FIGS. 1, 5, and 7 indicates the portion being enlarged in FIGS. 9-12.

1 Claim, 10 Drawing Sheets



(56)

References Cited

U.S. PATENT DOCUMENTS

2015/0327526 A1* 11/2015 Cooper A01K 89/01914
43/21.2
2017/0325439 A1* 11/2017 Chapman A01K 87/04
2018/0200416 A1* 7/2018 Oza A61B 1/2733
2018/0374382 A1* 12/2018 Osimo G09B 19/0038
2019/0098882 A1* 4/2019 Emert A01K 81/00

* cited by examiner

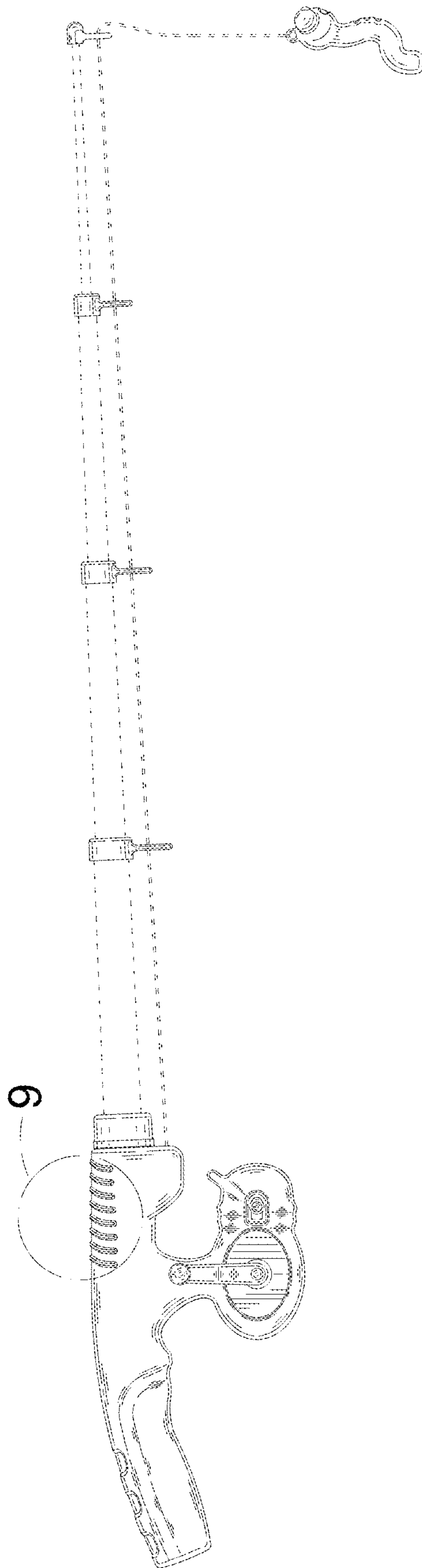


FIG. 1

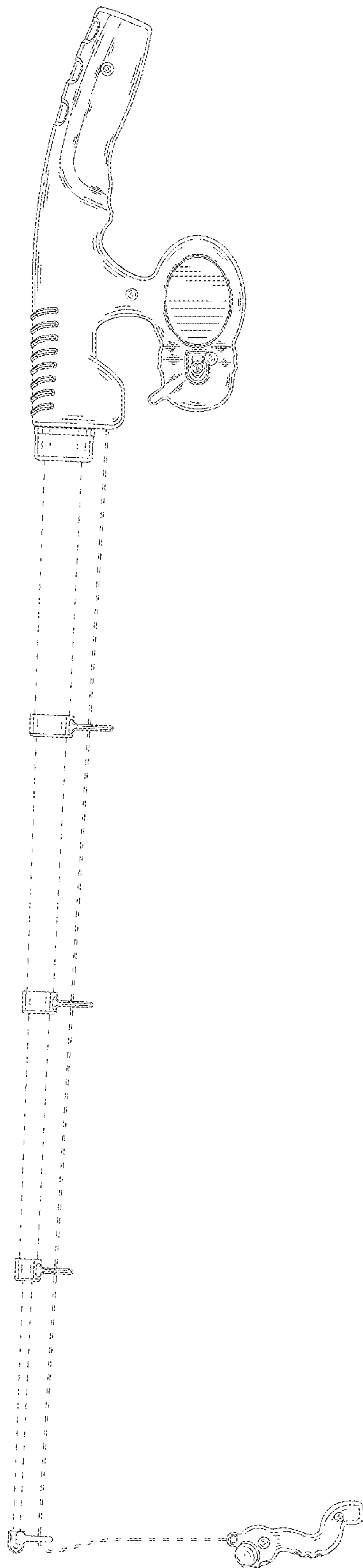


FIG. 2

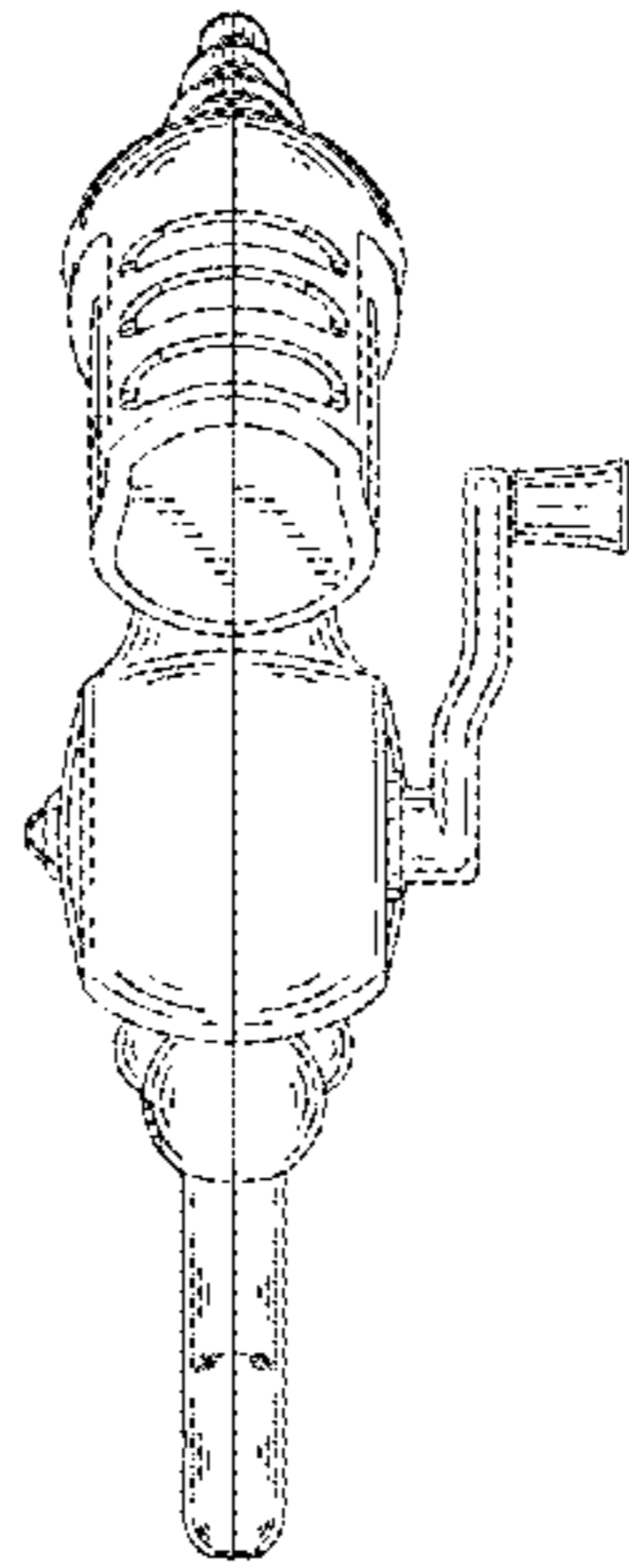


FIG. 3

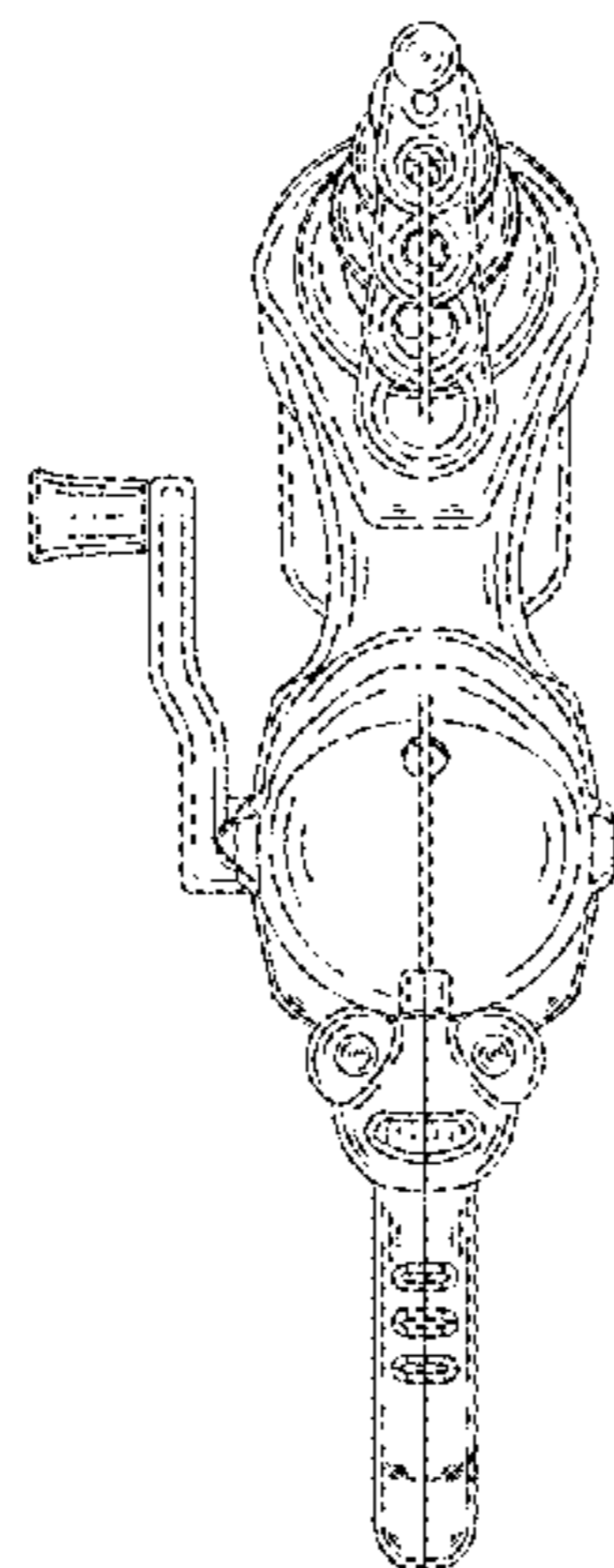


FIG. 4

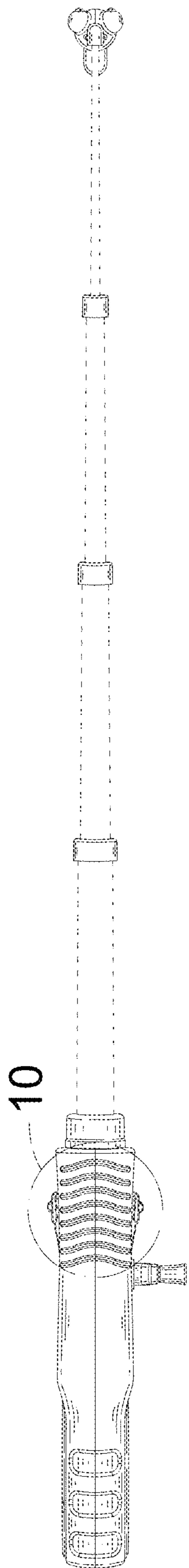


FIG. 5

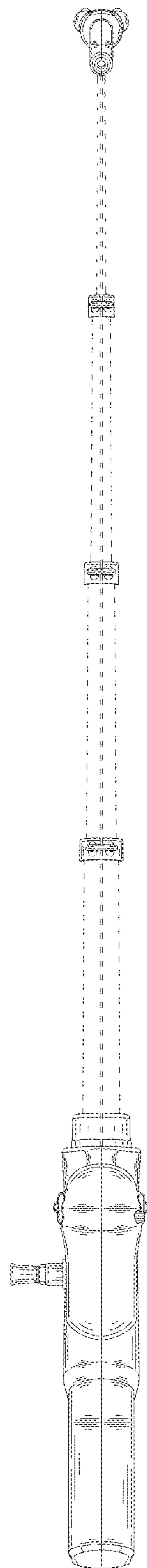


FIG. 6

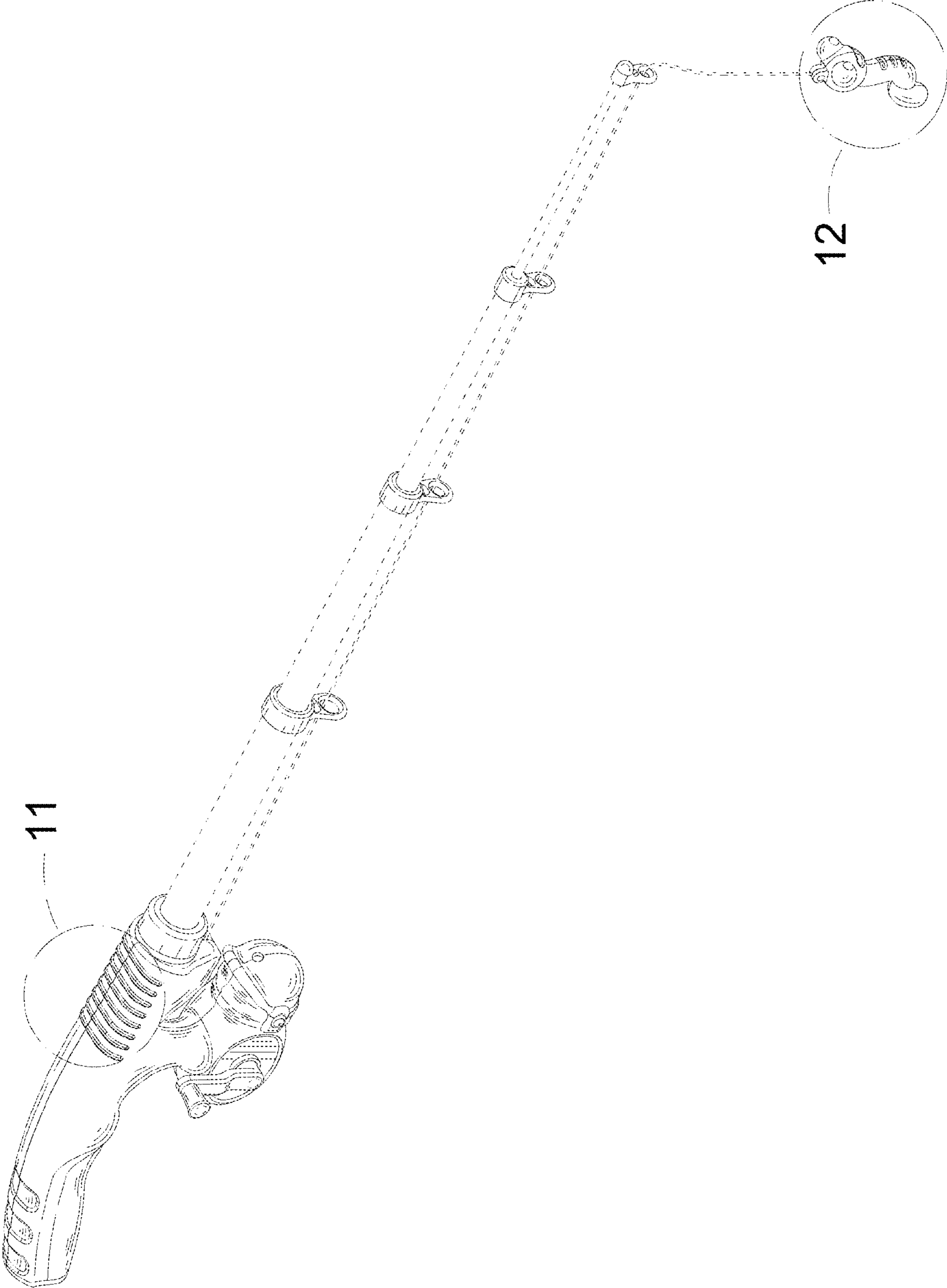


FIG. 7

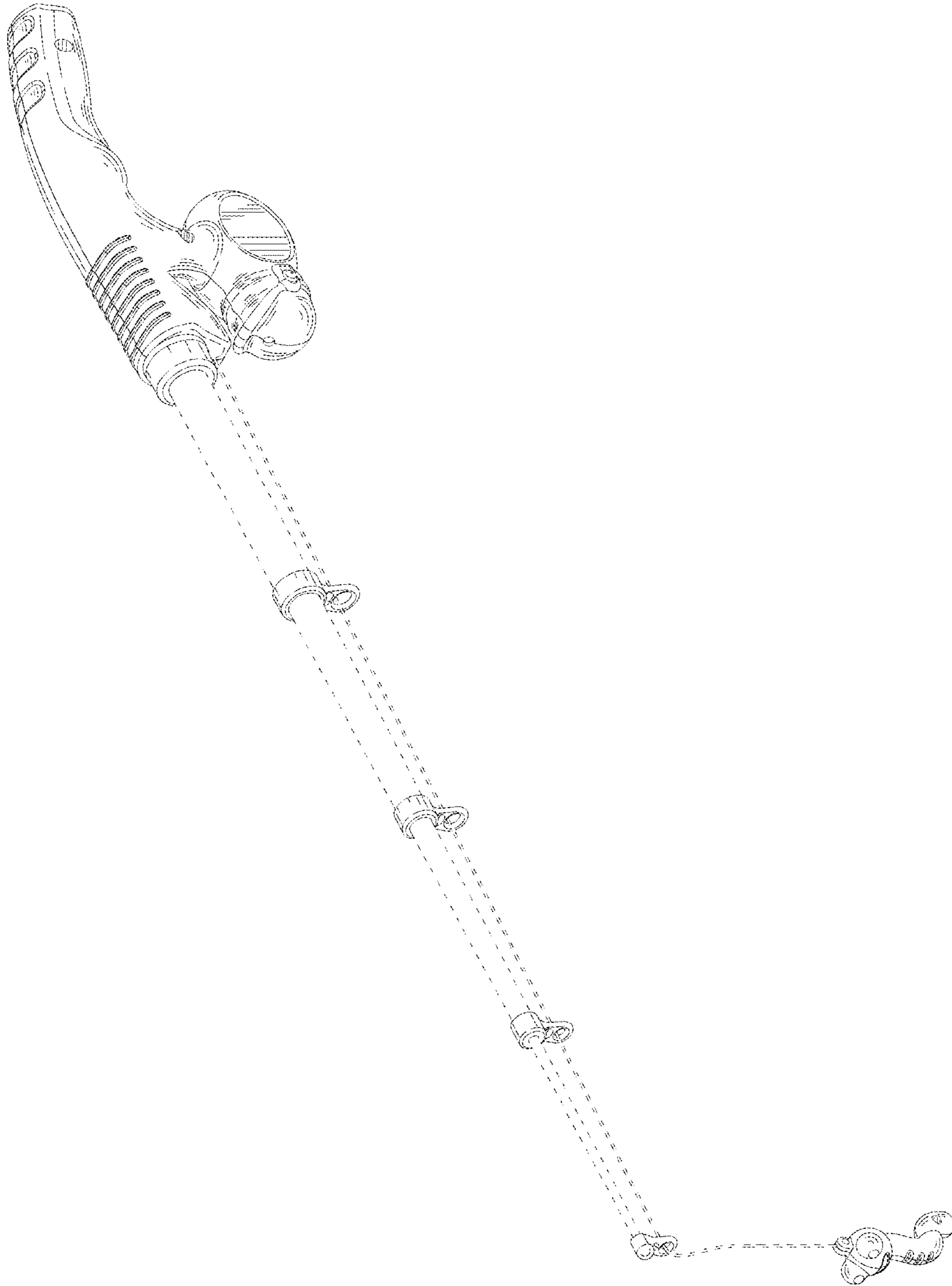


FIG. 8

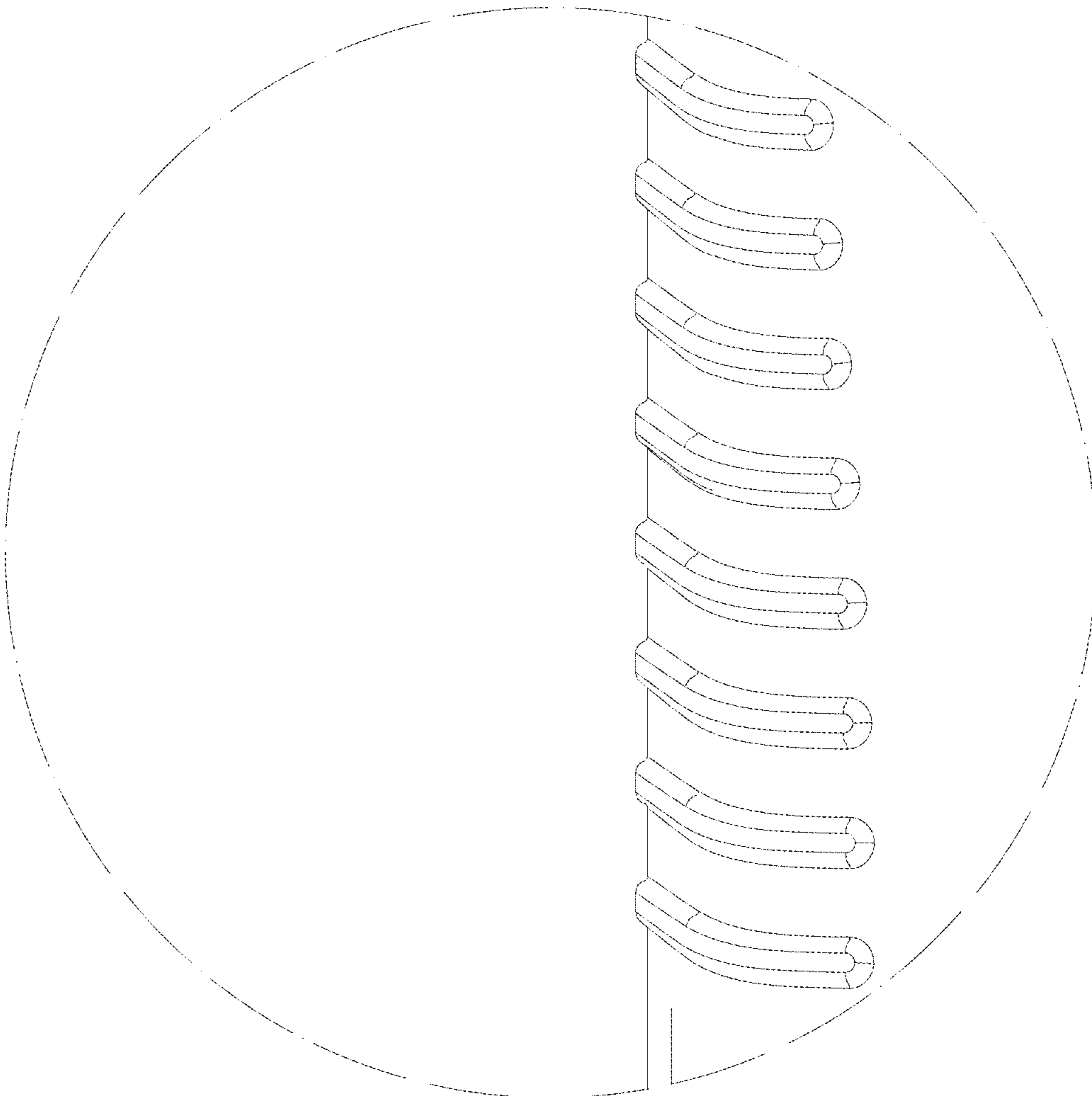


FIG. 9

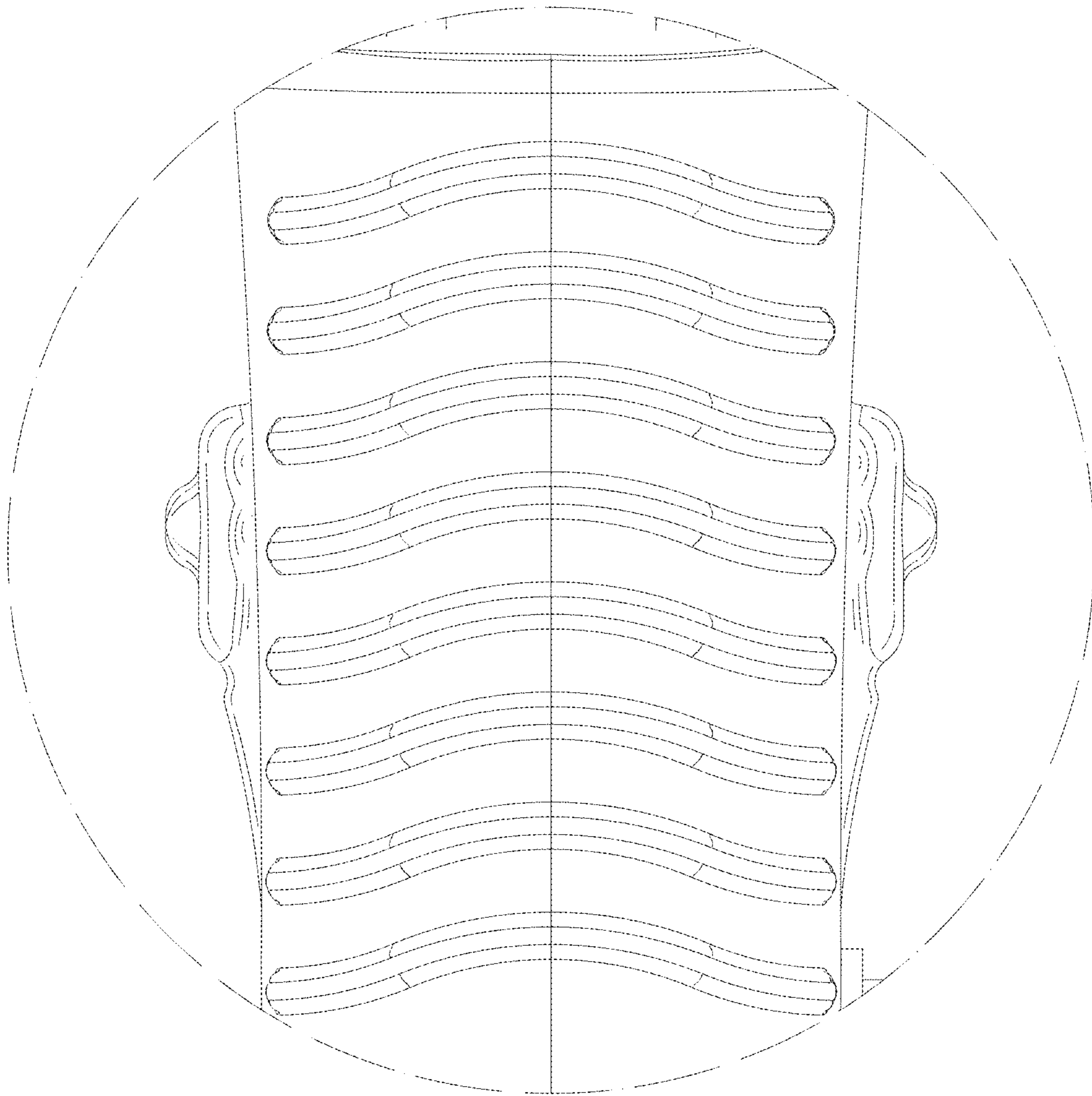


FIG. 10

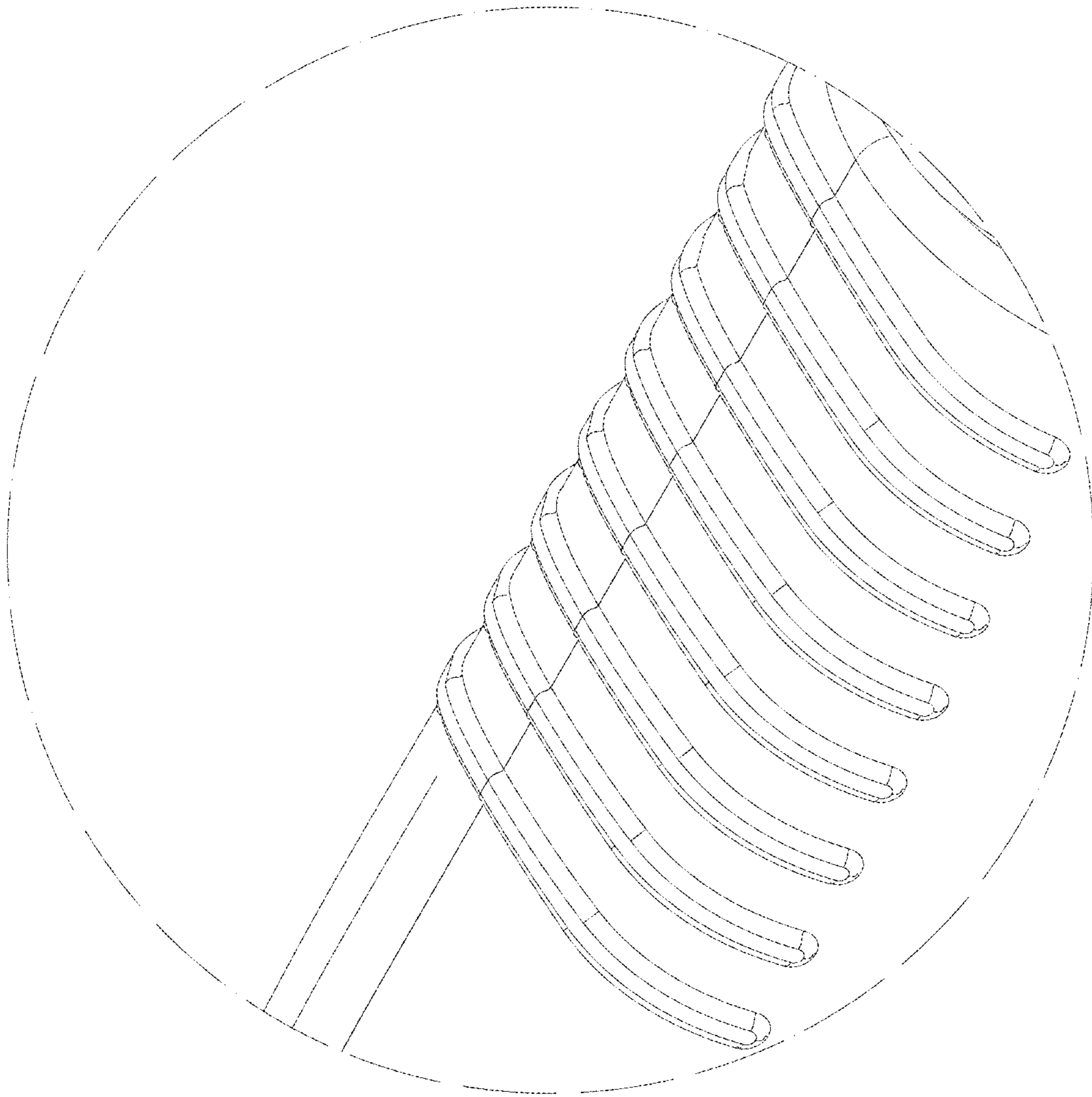


FIG. 11

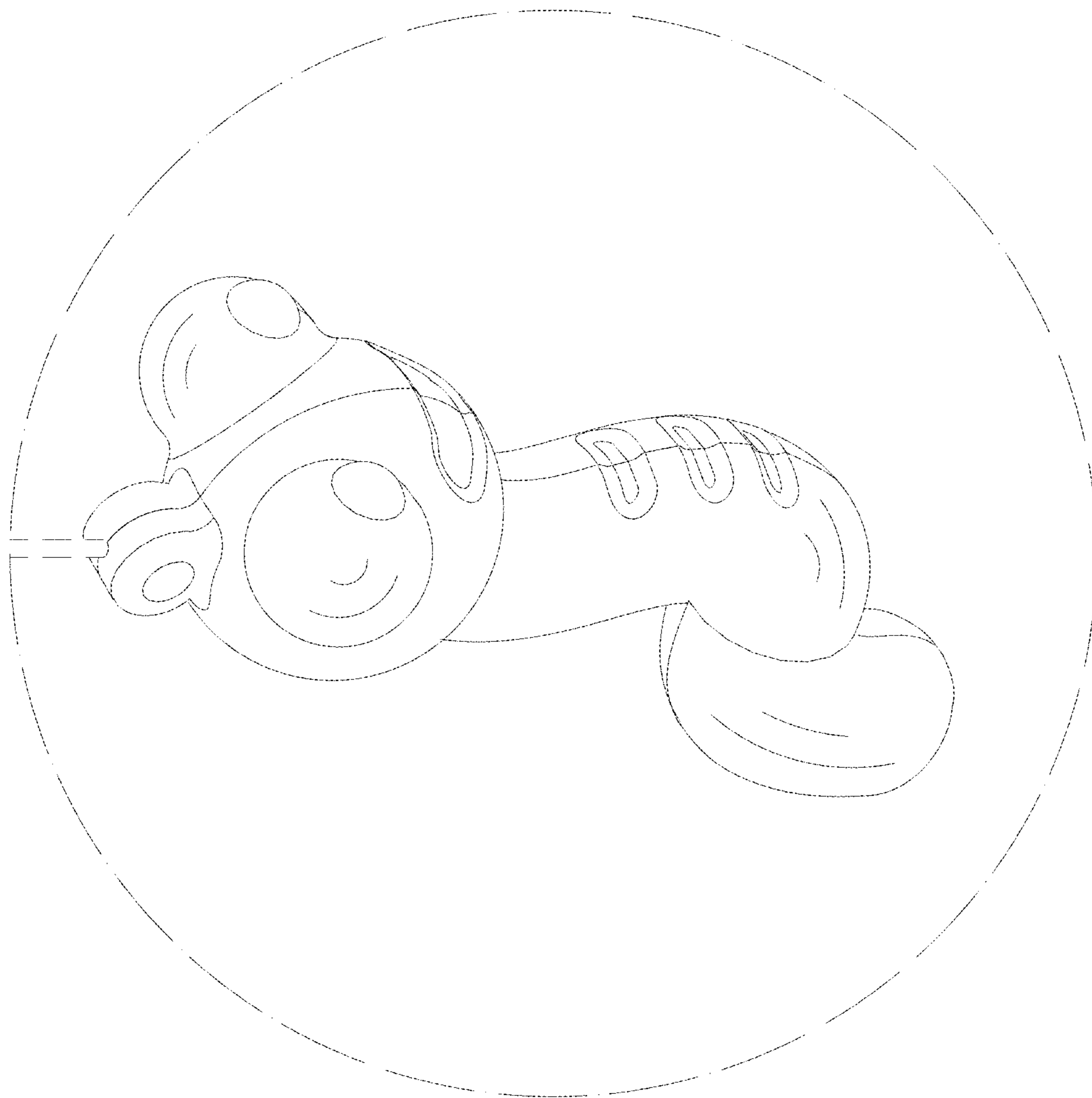


FIG. 12