



US00D933753S

(12) **United States Design Patent** (10) **Patent No.:** **US D933,753 S**
Metz (45) **Date of Patent:** **** Oct. 19, 2021**

(54) **VOCABULARY TOY SET**
(71) Applicant: **Chatterbox Toy Company, LLC**, La Grange, IL (US)
(72) Inventor: **Jennifer Metz**, La Grange, IL (US)
(**) Term: **15 Years**
(21) Appl. No.: **29/690,826**
(22) Filed: **May 10, 2019**
(51) **LOC (13) Cl.** **21-01**
(52) **U.S. Cl.**
USPC **D21/468**
(58) **Field of Classification Search**
USPC D21/468, 471, 389; D19/102, 105, 106,
D19/107, 108, 136, 137, 178–183, 185,
(Continued)

(56) **References Cited**

U.S. PATENT DOCUMENTS

D338,923 S * 8/1993 Ran D3/279
D363,647 S * 10/1995 Rivlin D21/484
(Continued)

Primary Examiner — Sandra Snapp
Assistant Examiner — Mehri Bajoul
(74) *Attorney, Agent, or Firm* — Leydig, Voit & Mayer,
Ltd.

(57) **CLAIM**

The ornamental design for a vocabulary toy set, as shown and described.

DESCRIPTION

FIG. 1 is a perspective view taken from the front, top, and right side of a vocabulary toy set that includes a container,

the container body having a rotatable handle shown in a downward orientation, a lid and a stack of chips in accordance with the new design.

FIG. 2 is an exploded view of the vocabulary toy set of FIG. 1 showing the container body and the lid separately for ease of illustration.

FIG. 3 is a top view of the container body of FIG. 1 shown separately for ease of illustration.

FIG. 4 is a front view of the container body of FIG. 1 shown separately for ease of illustration, the rear view being a mirror image.

FIG. 5 is a right side view of the container body of FIG. 1 shown separately for ease of illustration, the left side view being a mirror image.

FIG. 6 is a bottom plan view of the container body of FIG. 1 shown separately for ease of illustration.

FIG. 7 is a top plan view of the lid in FIG. 1 shown separately for ease of illustration.

FIG. 8 is a side view of the lid of FIG. 1 shown separately for ease of illustration, all sides being mirror images.

FIG. 9 is a bottom view of the lid of FIG. 1 shown separately for ease of illustration.

FIG. 10 is a perspective view of the stack of chips of FIG. 1 shown separately for ease of illustration, the topmost chip showing an image as surface ornamentation.

FIG. 11 is a perspective view of one chip from the stack of chips of FIG. 1 shown separately for ease of illustration.

FIG. 12 is a front view of the chip of FIG. 11, the rear view being a mirror image.

FIG. 13 is a side view of the chip of FIG. 11.

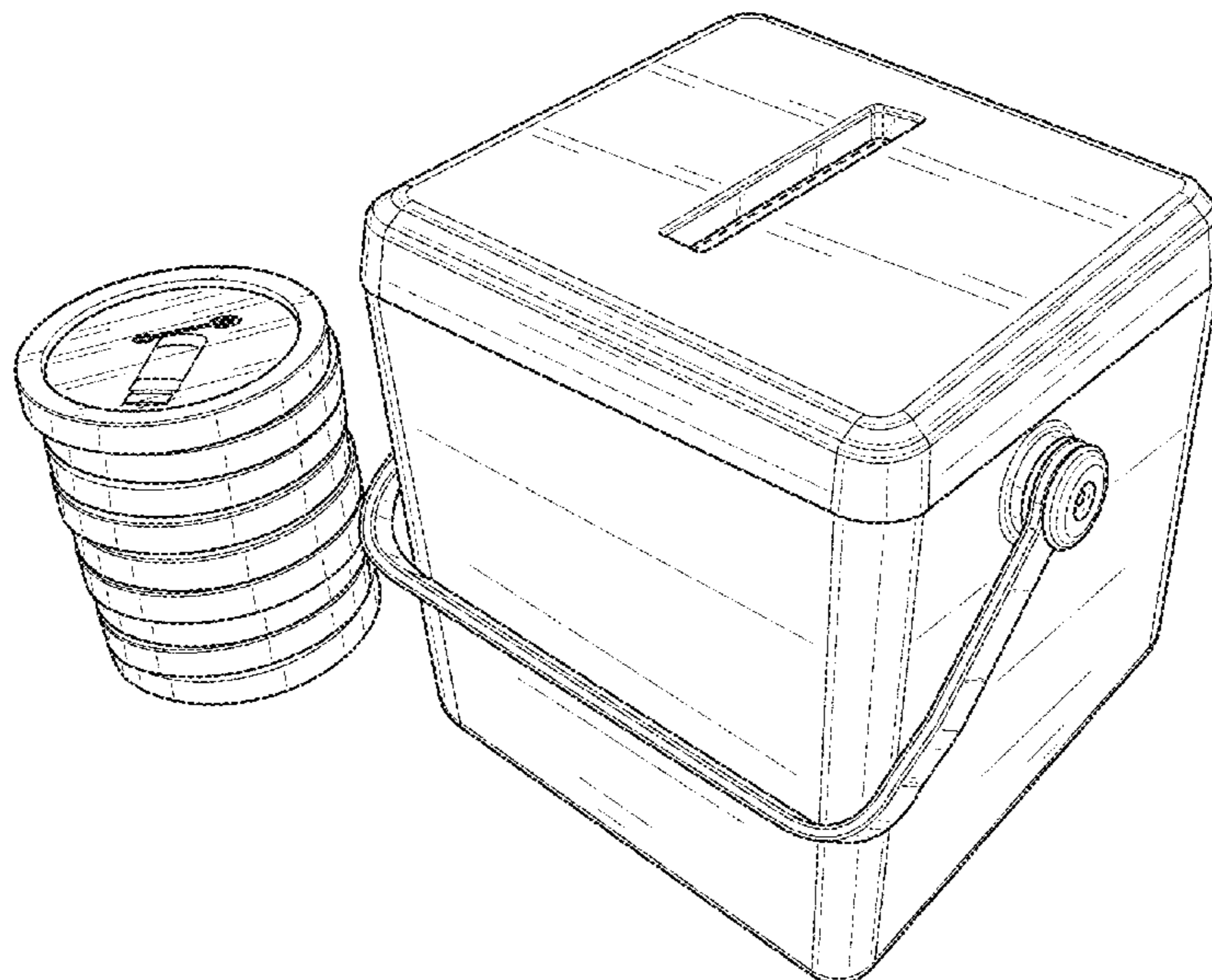
FIG. 14 is a cross-sectional view of the chip of FIG. 11, taken along the line 14-14 in FIG. 11.

FIG. 15 is a perspective view of the stack of chips of FIG. 1 shown laid out and separately from the container body and the lid for ease of illustration; and,

FIG. 16 is a perspective view showing the opposite side of the chips shown in FIG. 15.

The broken lines shown in the drawings illustrate portions of the vocabulary toy set that form no part of claimed design.

1 Claim, 16 Drawing Sheets



(58) **Field of Classification Search**

USPC D19/186, 100; D3/20, 212, 230, 242,
 D3/260, 272; D7/601, 602, 603, 213,
 D7/605, 619, 631; D9/516, 517, 527,
 D9/540, 542, 573–575, 432; D24/207,
 D24/224, 227, 231
 CPC A63F 9/06; A63F 13/426; A63F 9/10
 See application file for complete search history.

(56) **References Cited**

U.S. PATENT DOCUMENTS

D469,011 S * 1/2003 Miller D3/302
 7,051,550 B2 * 5/2006 Roth F25D 3/08
 62/457.2
 D602,253 S * 10/2009 Rees D3/272
 D660,589 S * 5/2012 Ayjian D3/260
 D685,575 S * 7/2013 Cullen D3/289
 D685,654 S * 7/2013 Akana D9/737

D686,491 S * 7/2013 Kuo D9/432
 D721,890 S * 2/2015 Heil D3/272
 D729,004 S * 5/2015 Deuber D7/400
 D729,059 S * 5/2015 Taylor D9/432
 D733,317 S * 6/2015 Lui D24/227
 D743,047 S * 11/2015 Asao D24/226
 D747,933 S * 1/2016 Kassouni D7/629
 D748,496 S * 2/2016 Young D9/734
 D763,603 S * 8/2016 Bartelmuss D6/664
 D779,287 S * 2/2017 Baker D7/629
 D793,856 S * 8/2017 Akana D9/425
 D798,048 S * 9/2017 Nair D3/242
 D827,727 S * 9/2018 McLachlan D21/468
 D832,057 S * 10/2018 Namyst, III D7/602
 D858,650 S * 9/2019 McLachlan D21/468
 D859,537 S * 9/2019 McLachlan D21/468
 D867,781 S * 11/2019 Jeidel D6/383
 D878,757 S * 3/2020 Hess D3/272
 D880,252 S * 4/2020 Jacobsen D7/605
 D886,597 S * 6/2020 Larson D9/426
 D891,103 S * 7/2020 Vicuna D3/272

* cited by examiner

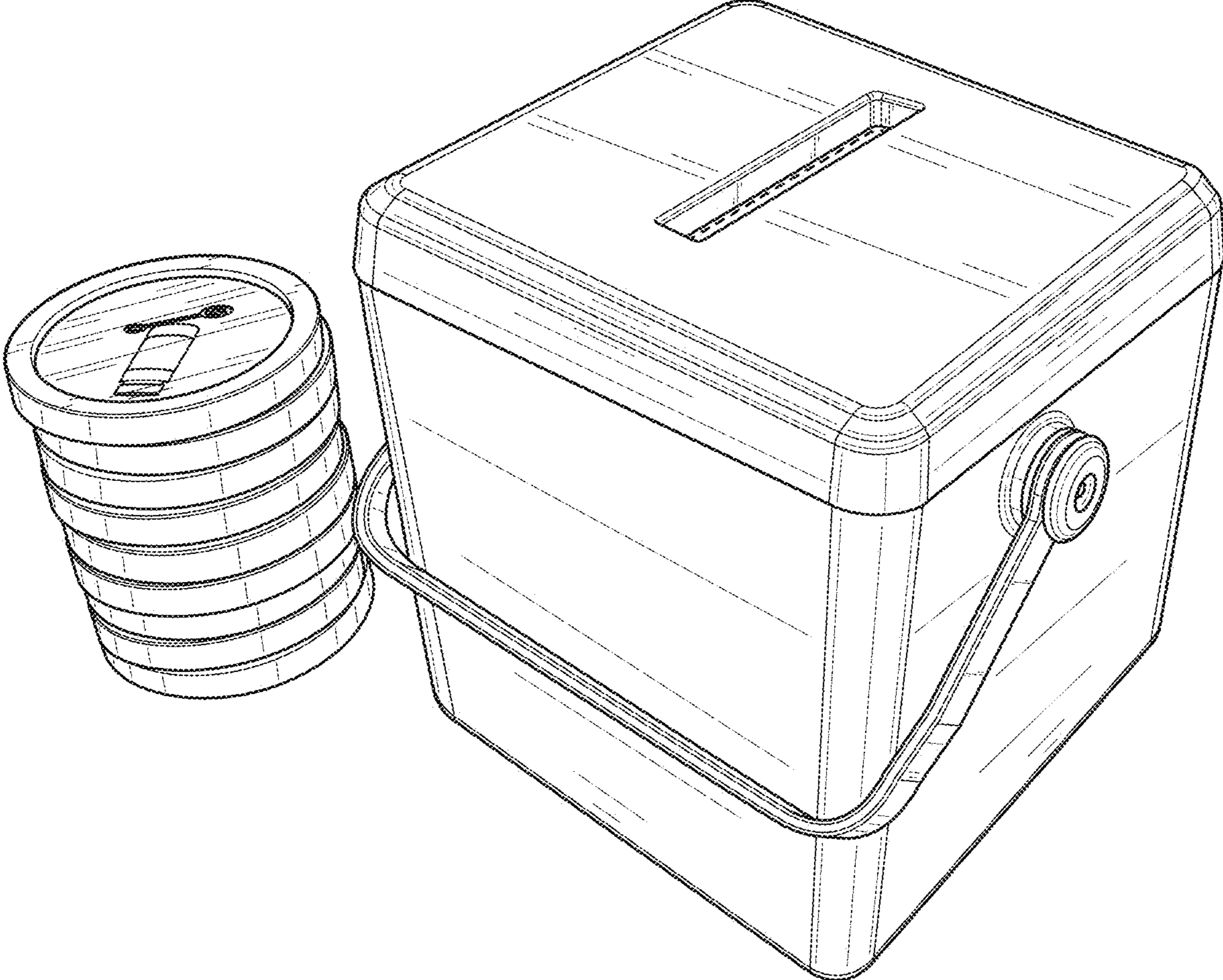


FIG. 1

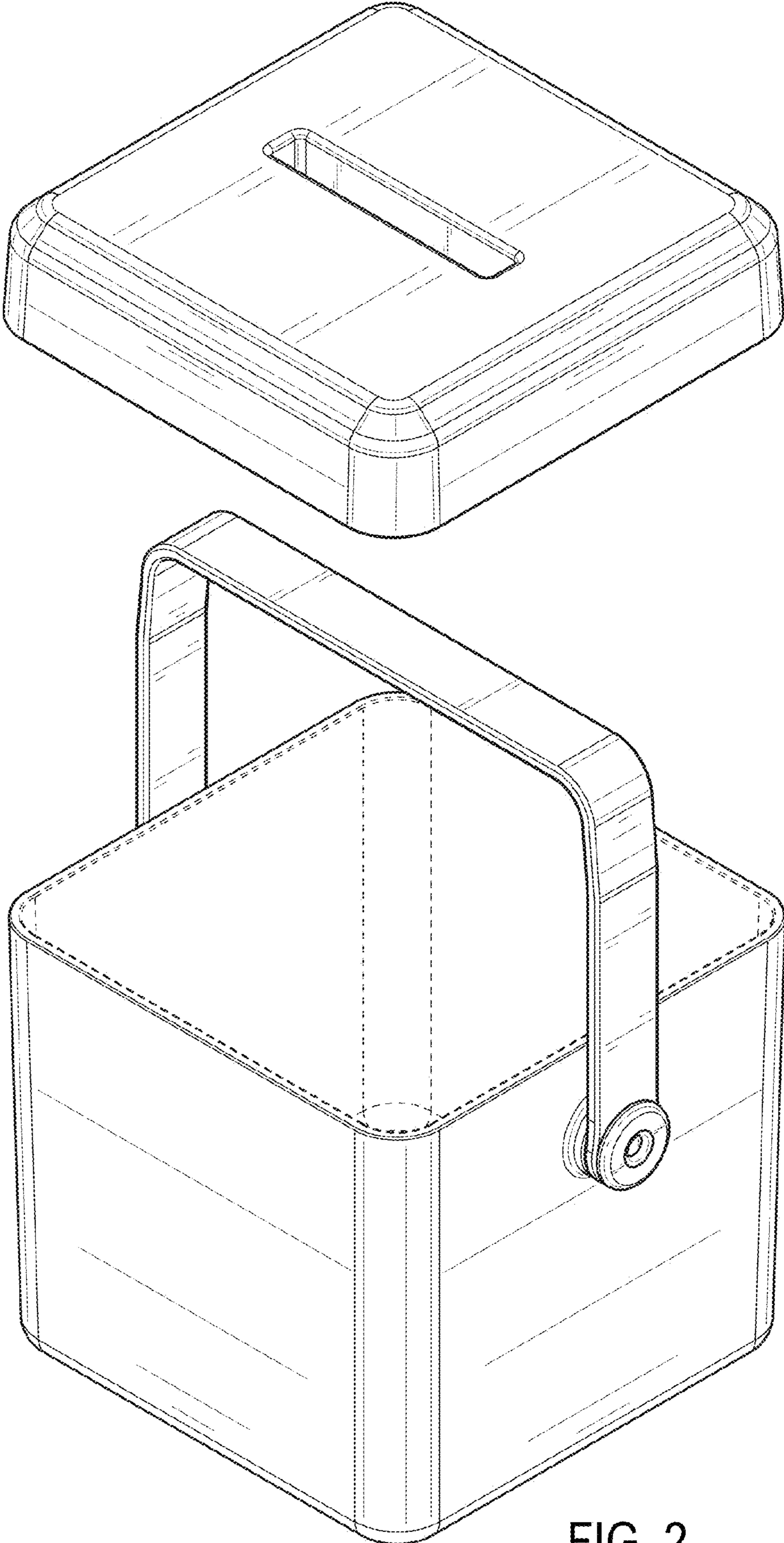


FIG. 2

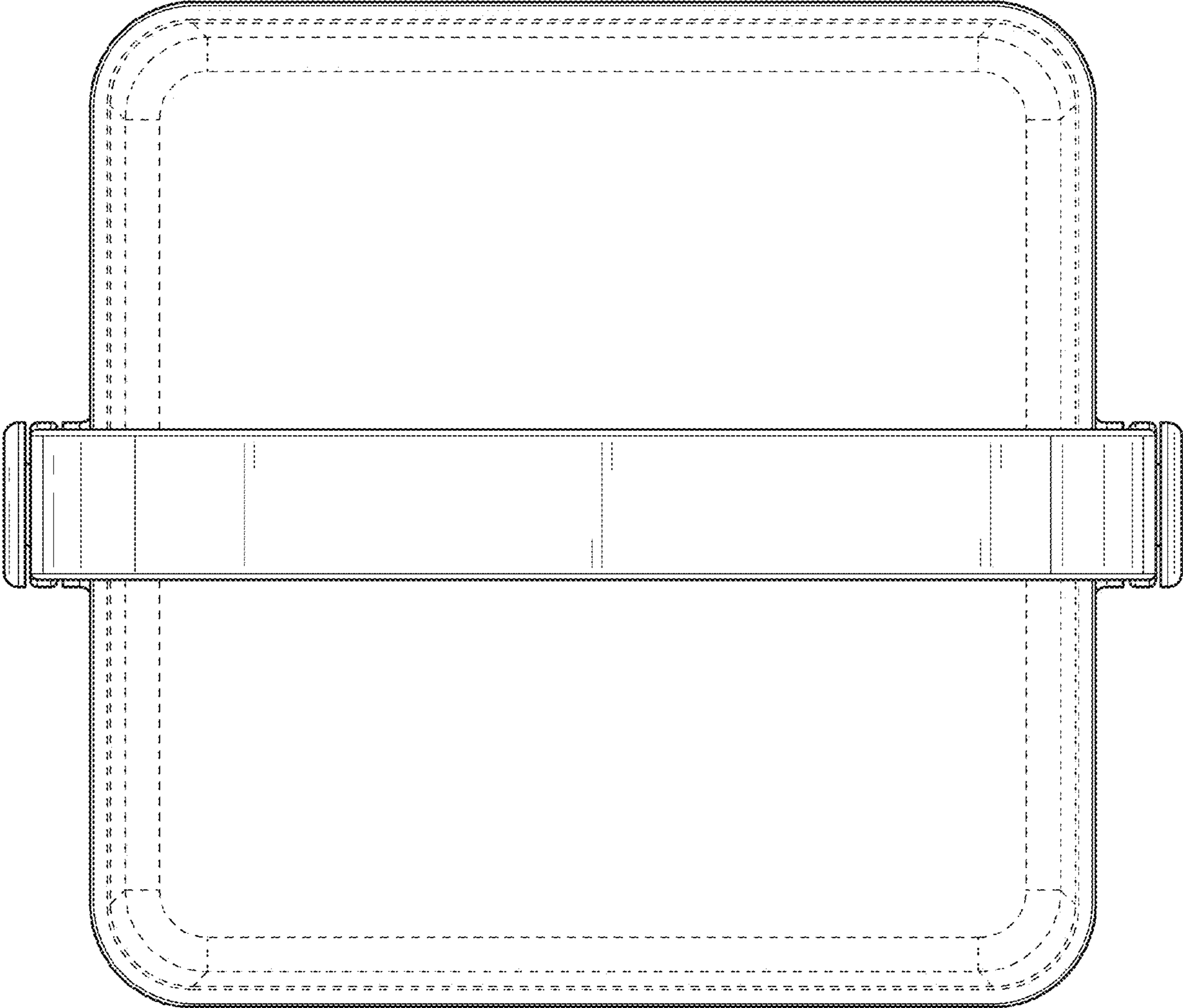


FIG. 3

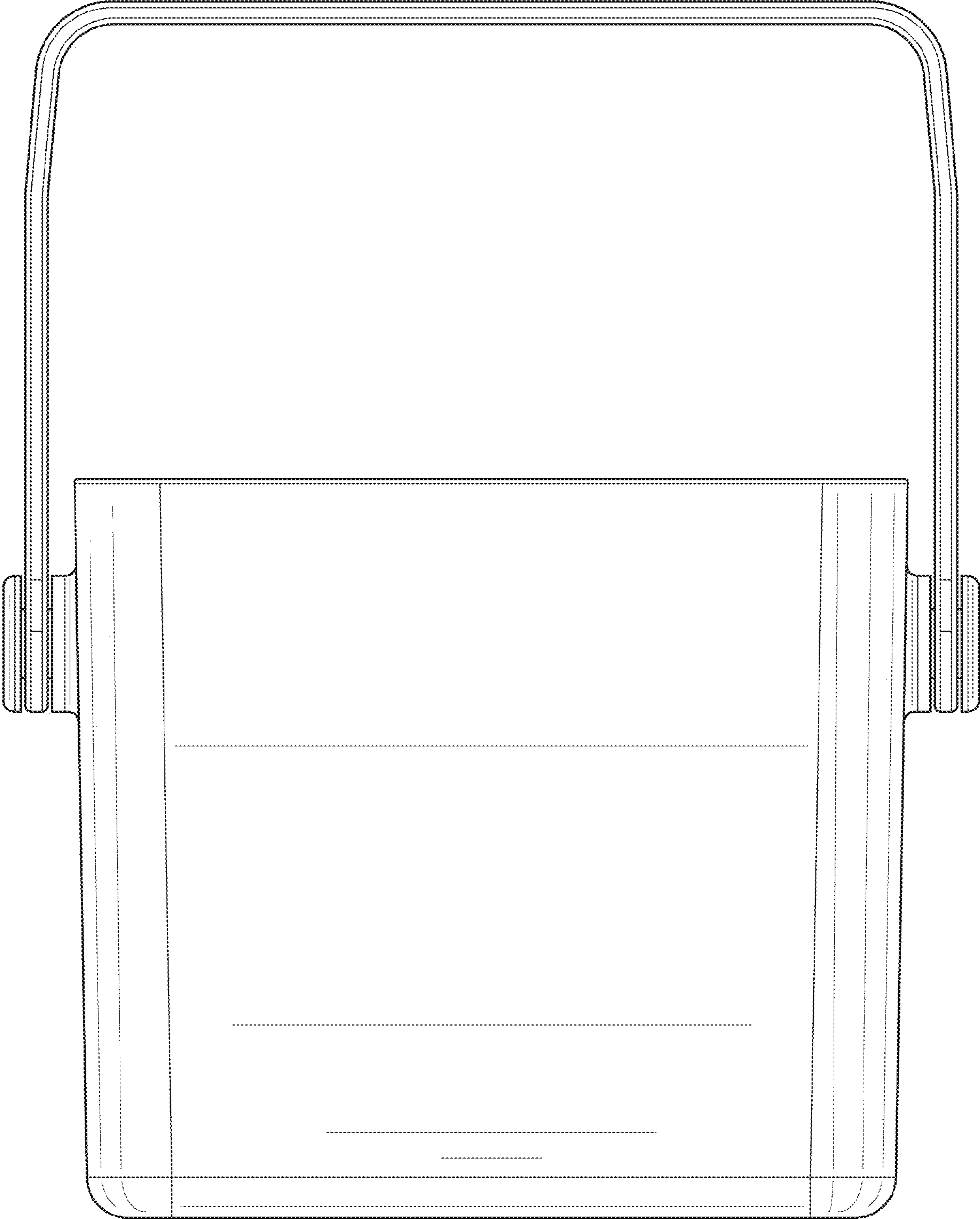


FIG. 4

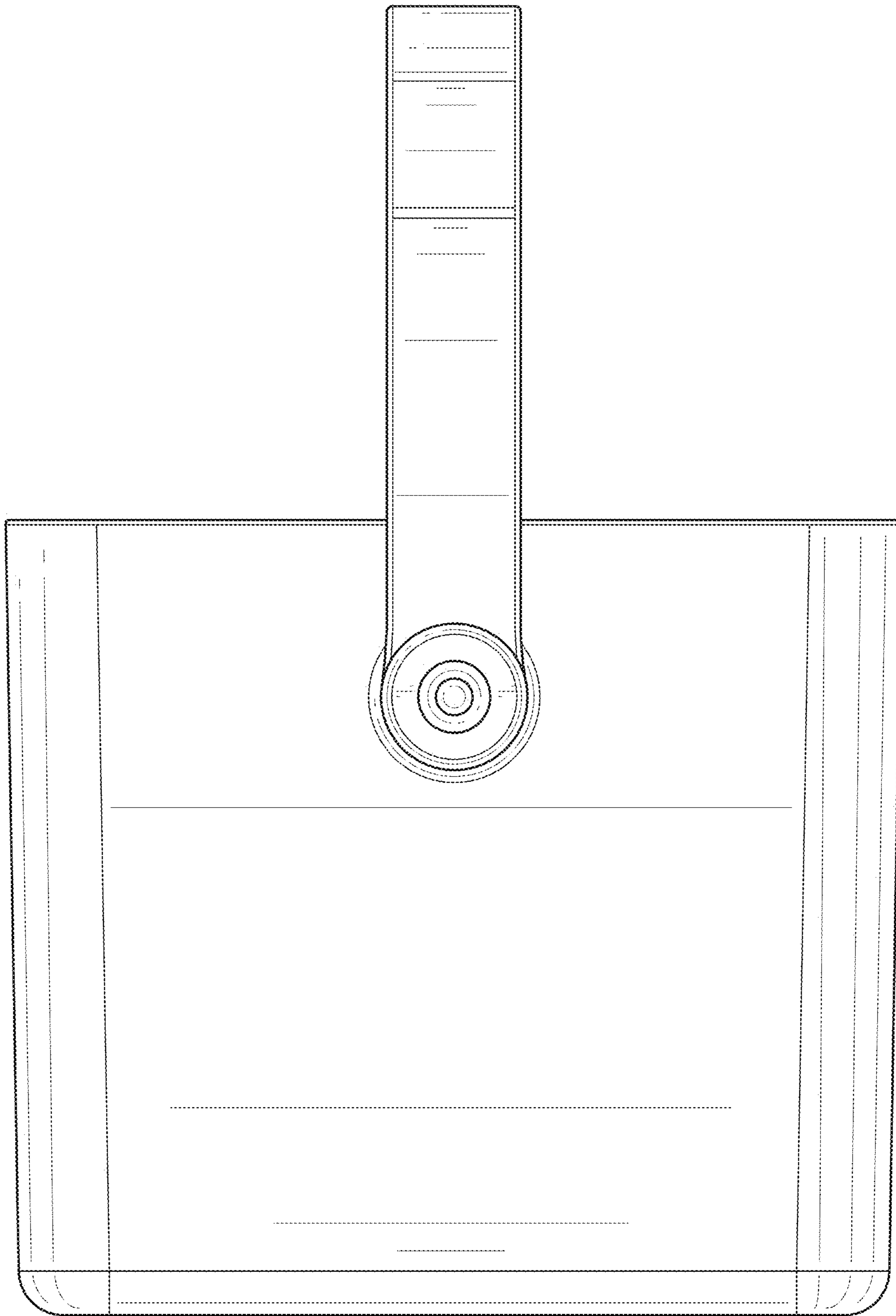


FIG. 5

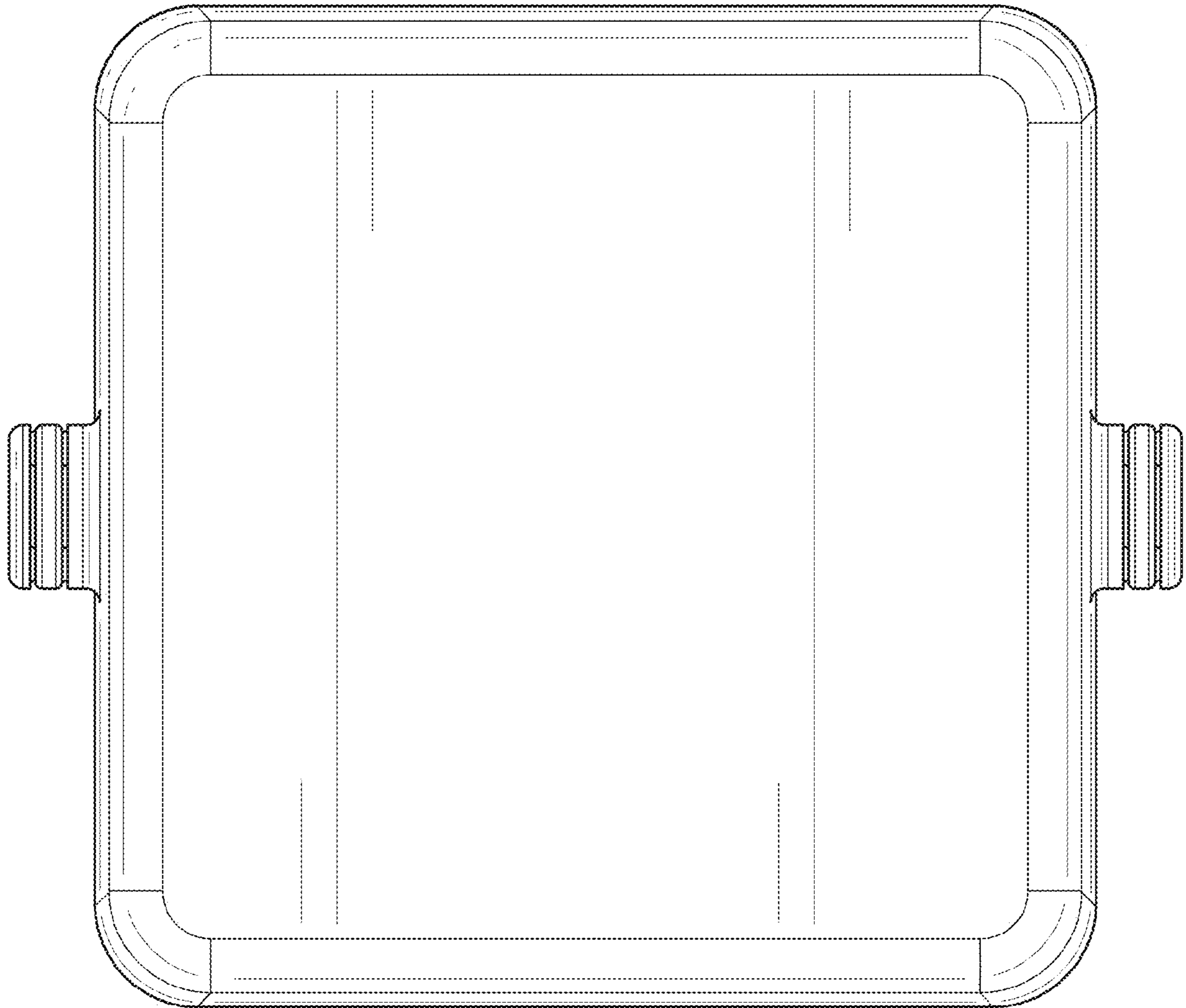


FIG. 6

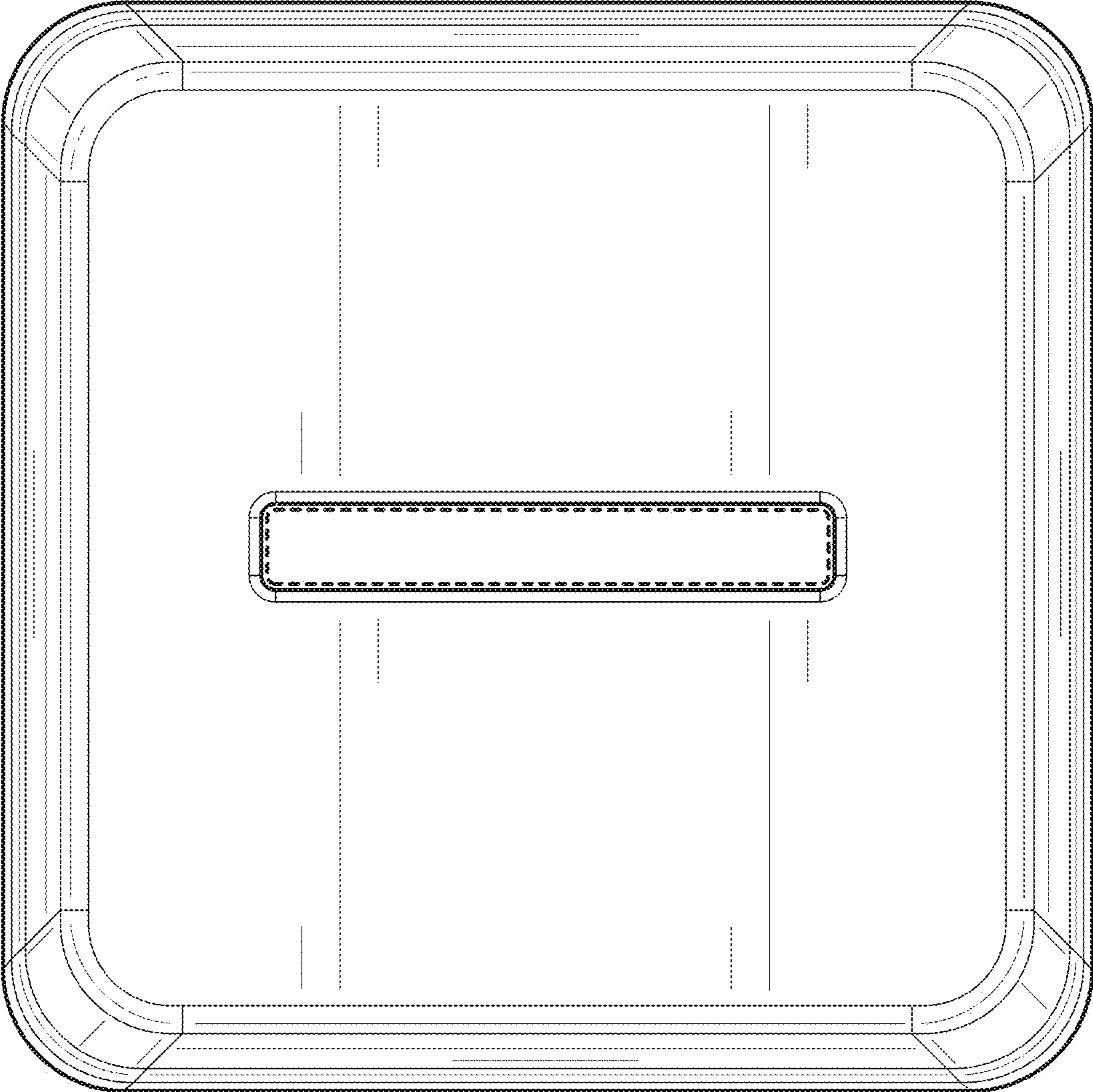


FIG. 7

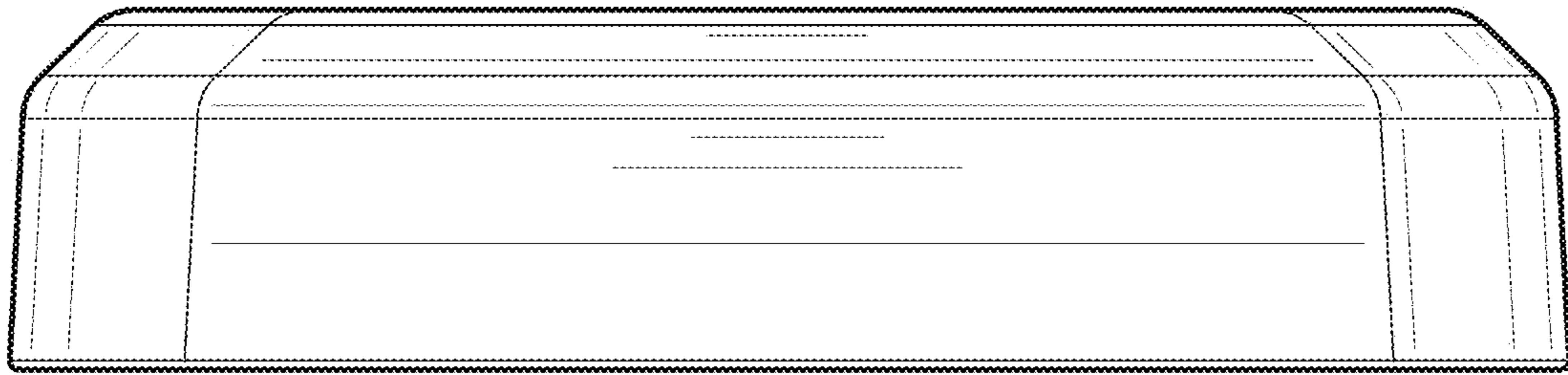


FIG. 8

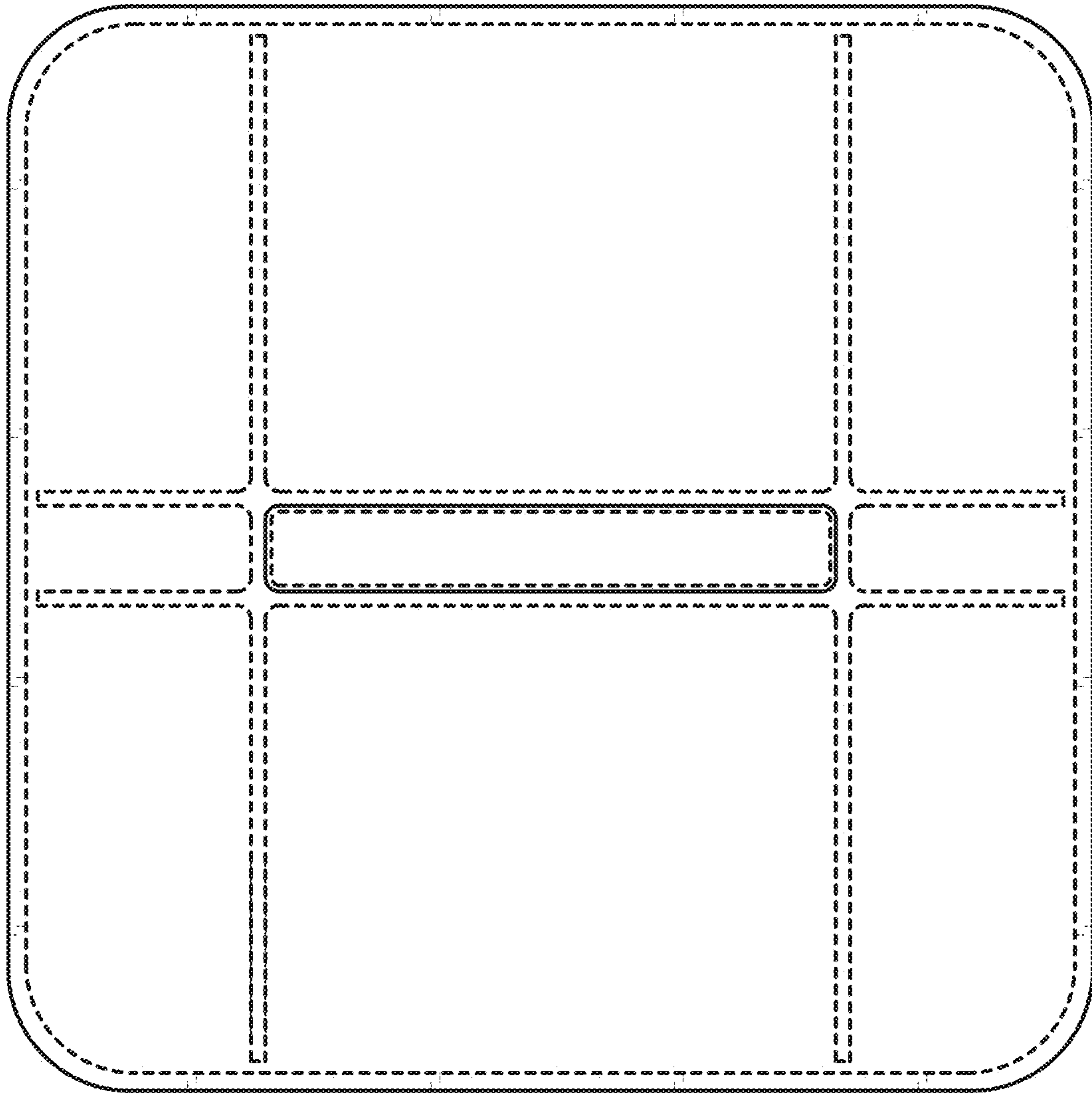


FIG. 9

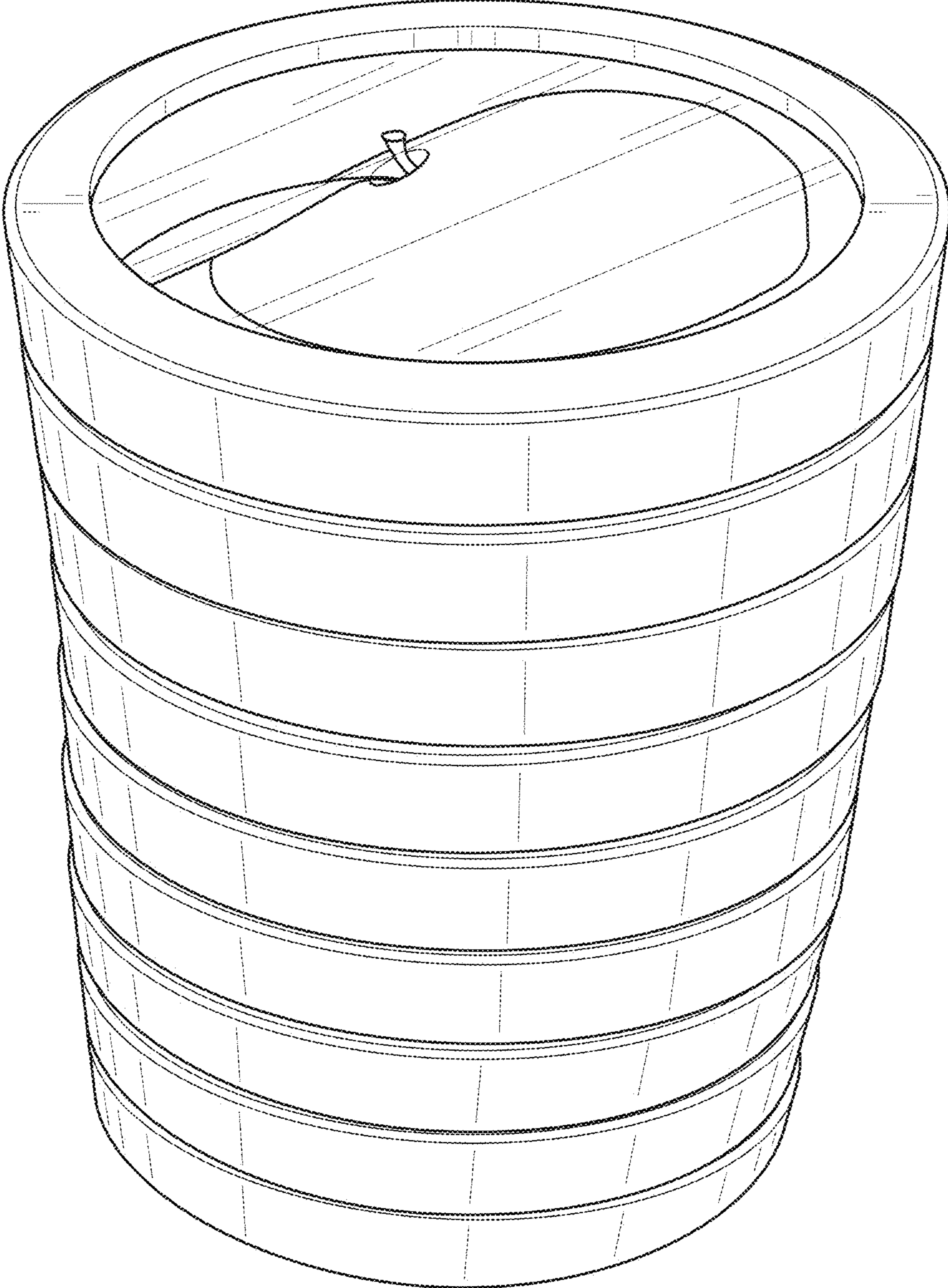


FIG. 10

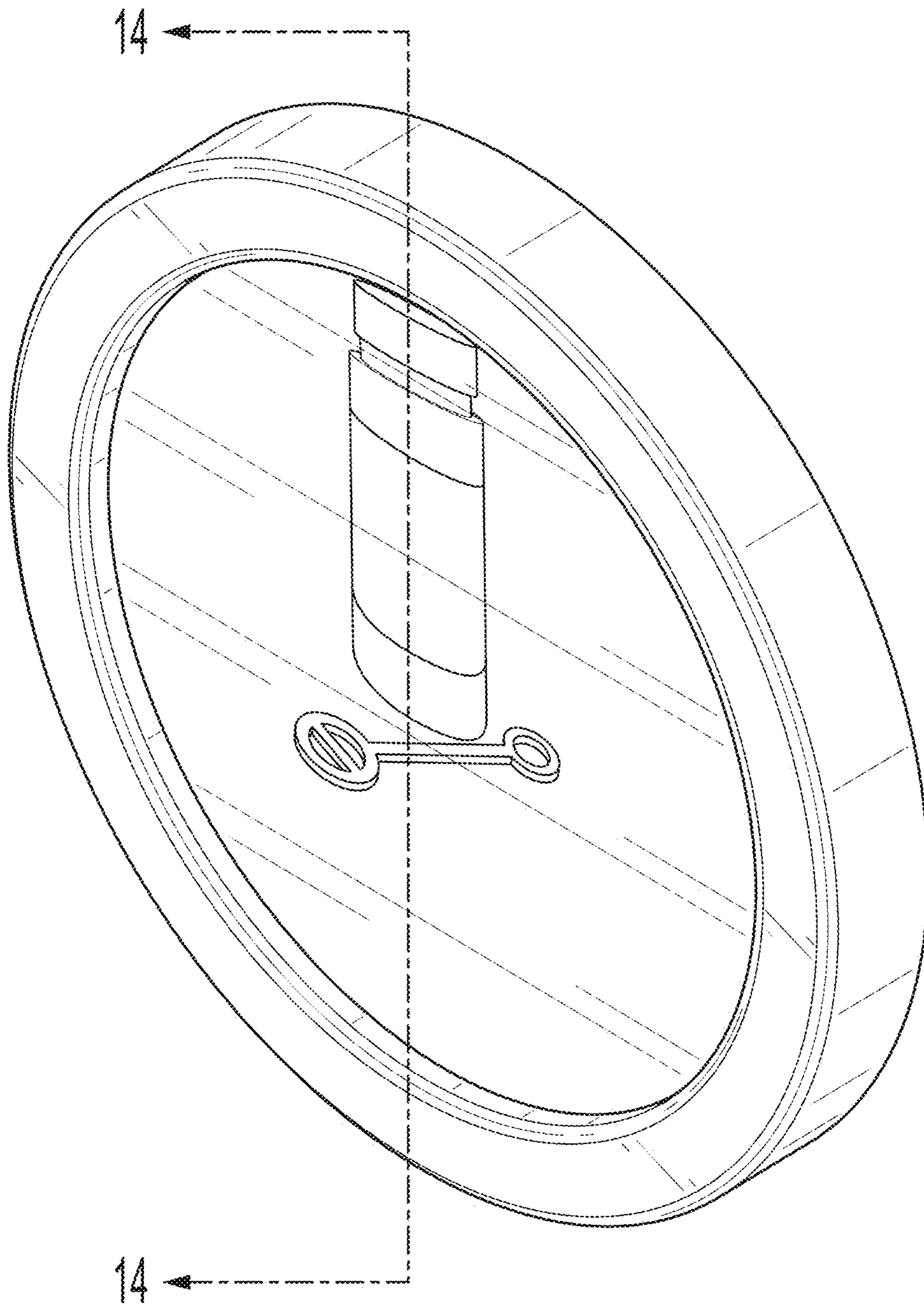


FIG. 11

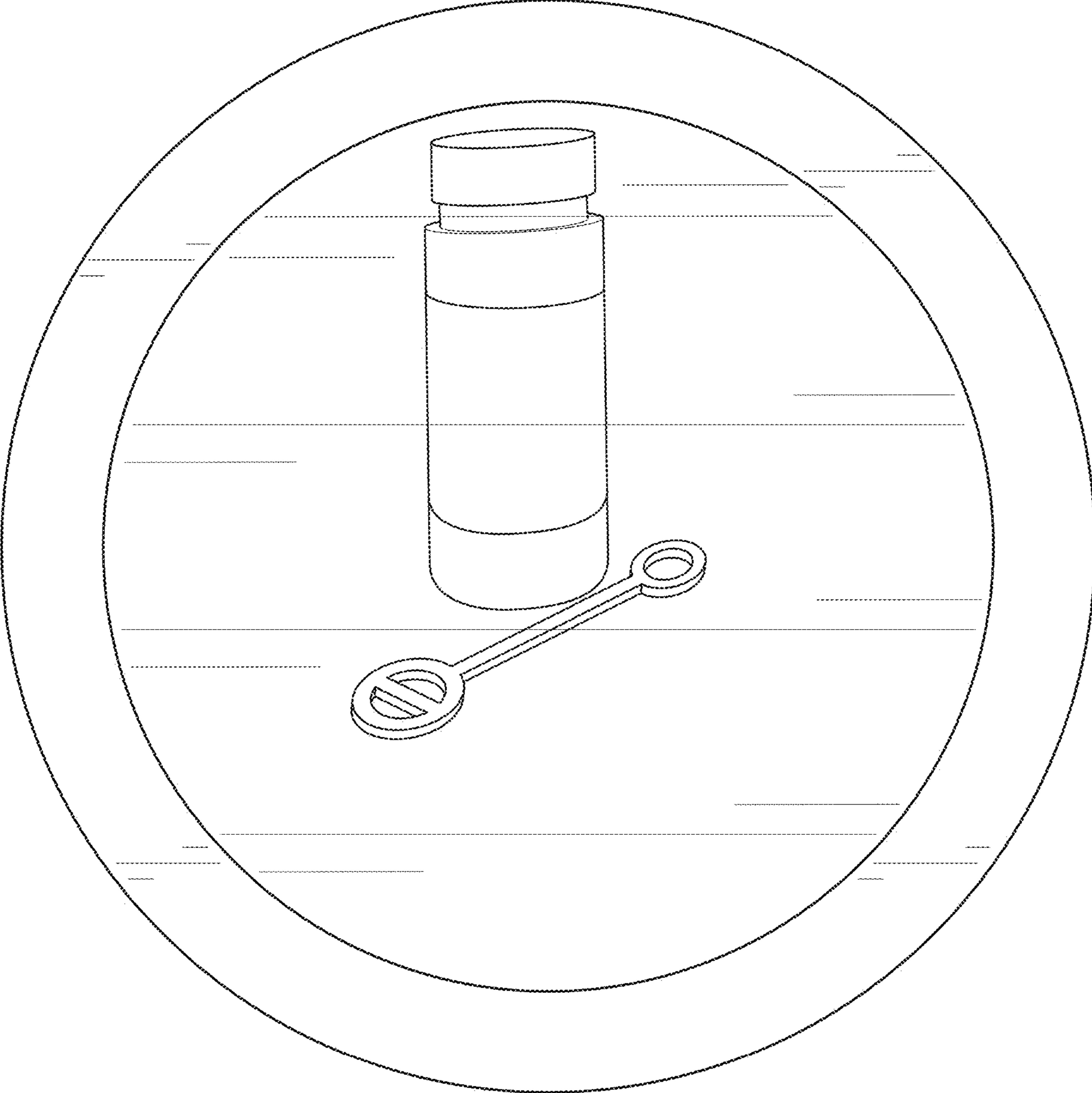


FIG. 12

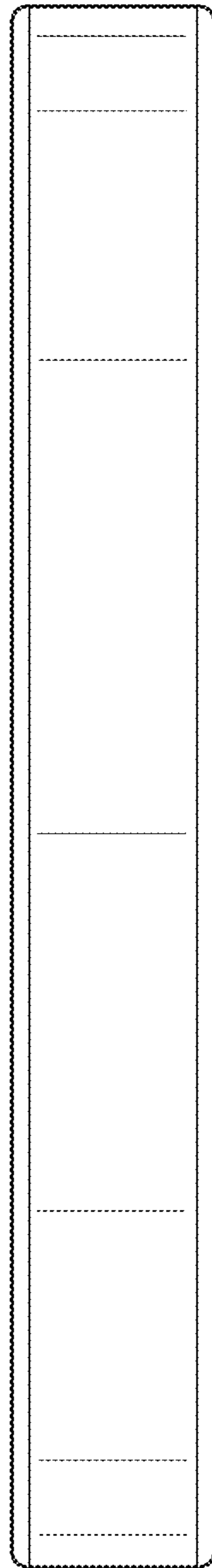


FIG. 13

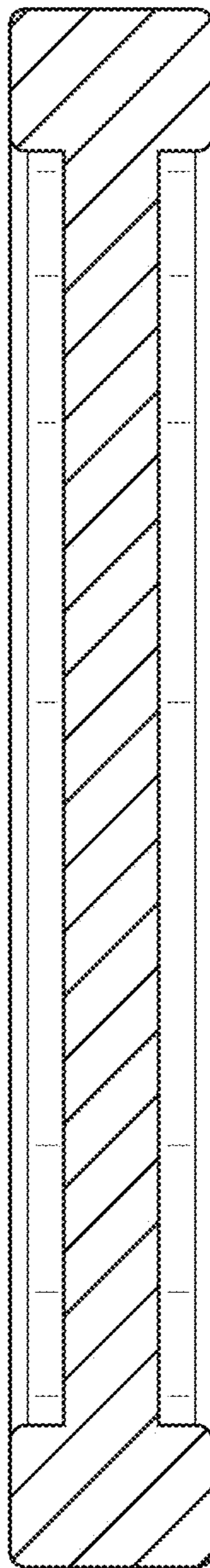


FIG. 14

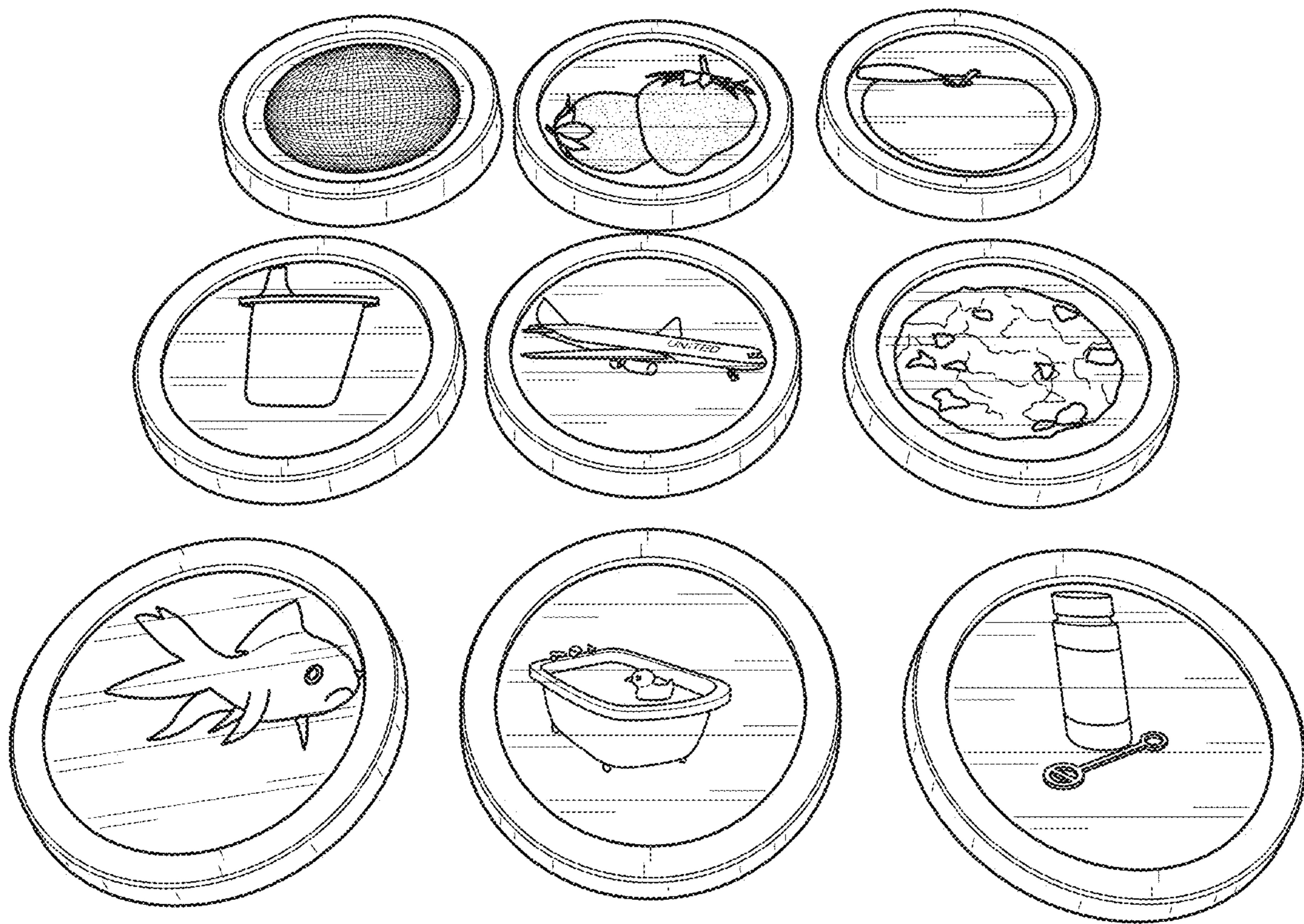


FIG. 15

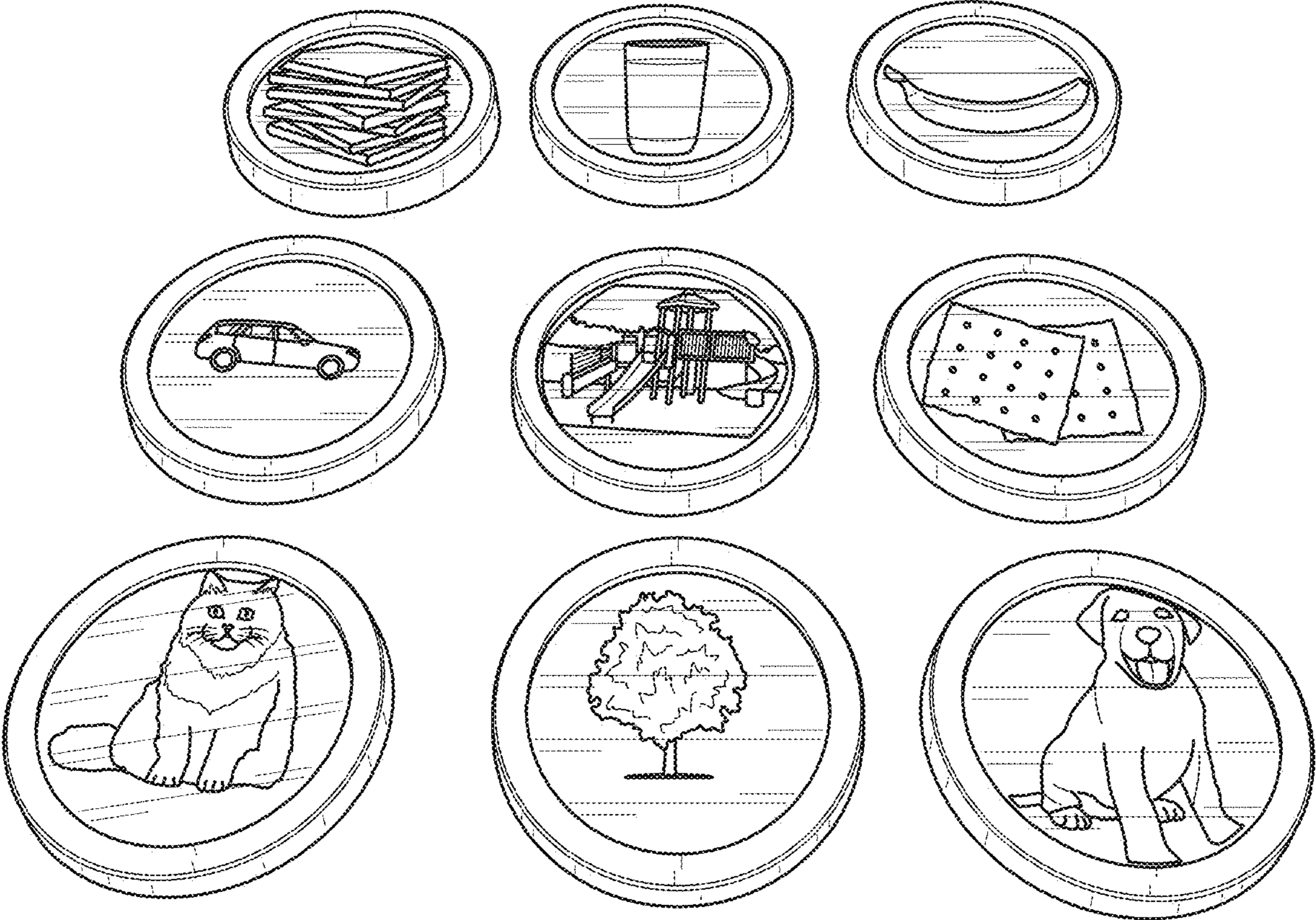


FIG. 16