



US00D933747S

(12) **United States Design Patent** (10) **Patent No.:** **US D933,747 S**
Ledbetter et al. (45) **Date of Patent:** **** Oct. 19, 2021**

(54) **ELECTRONIC CONSOLE**

(71) Applicant: **Microsoft Corporation**, Redmond, WA (US)
(72) Inventors: **Carl J. Ledbetter**, Mercer Island, WA (US); **Nicolas A. Denhez**, Seattle, WA (US); **Bryan A. Sparks**, Sammamish, WA (US); **Brett D. Christie**, Seattle, WA (US); **Gregory Jones**, Seattle, WA (US); **Christopher H. Kujawski**, Seattle, WA (US)

(73) Assignee: **Microsoft Corporation**, Redmond, WA (US)

(**) Term: **15 Years**

(21) Appl. No.: **29/692,094**

(22) Filed: **May 22, 2019**

(51) **LOC (13) Cl.** **21-01**

(52) **U.S. Cl.**
USPC **D21/332**

(58) **Field of Classification Search**
USPC D21/324, 330, 332, 333; D14/299, 496, D14/502, 505, 506; D13/168
CPC A63F 13/24; A63F 9/00; A63F 9/24; A63F 11/00; A63F 13/00; A63F 13/02; A63F 2300/00; G07F 17/00
See application file for complete search history.

(56) **References Cited**

U.S. PATENT DOCUMENTS

D224,710 S 9/1972 Miller et al.
D234,604 S 3/1975 Shimizu
D274,396 S 6/1984 Kikuchi
D293,317 S 12/1987 Umezu et al.

(Continued)

FOREIGN PATENT DOCUMENTS

CN 303683954 5/2016
CN 305938811 7/2020

OTHER PUBLICATIONS

“PS5 Vs Xbox Series X” posted Jun. 15, 2020[Online],[Retrieved Aug. 30, 2020], retrieved from internet: <https://www.youtube.com/watch?v=DDRJdrWcjKA>.*

(Continued)

Primary Examiner — Sandra Snapp

Assistant Examiner — Mehri Bajoul

(74) *Attorney, Agent, or Firm* — Banner & Witcoff, Ltd.

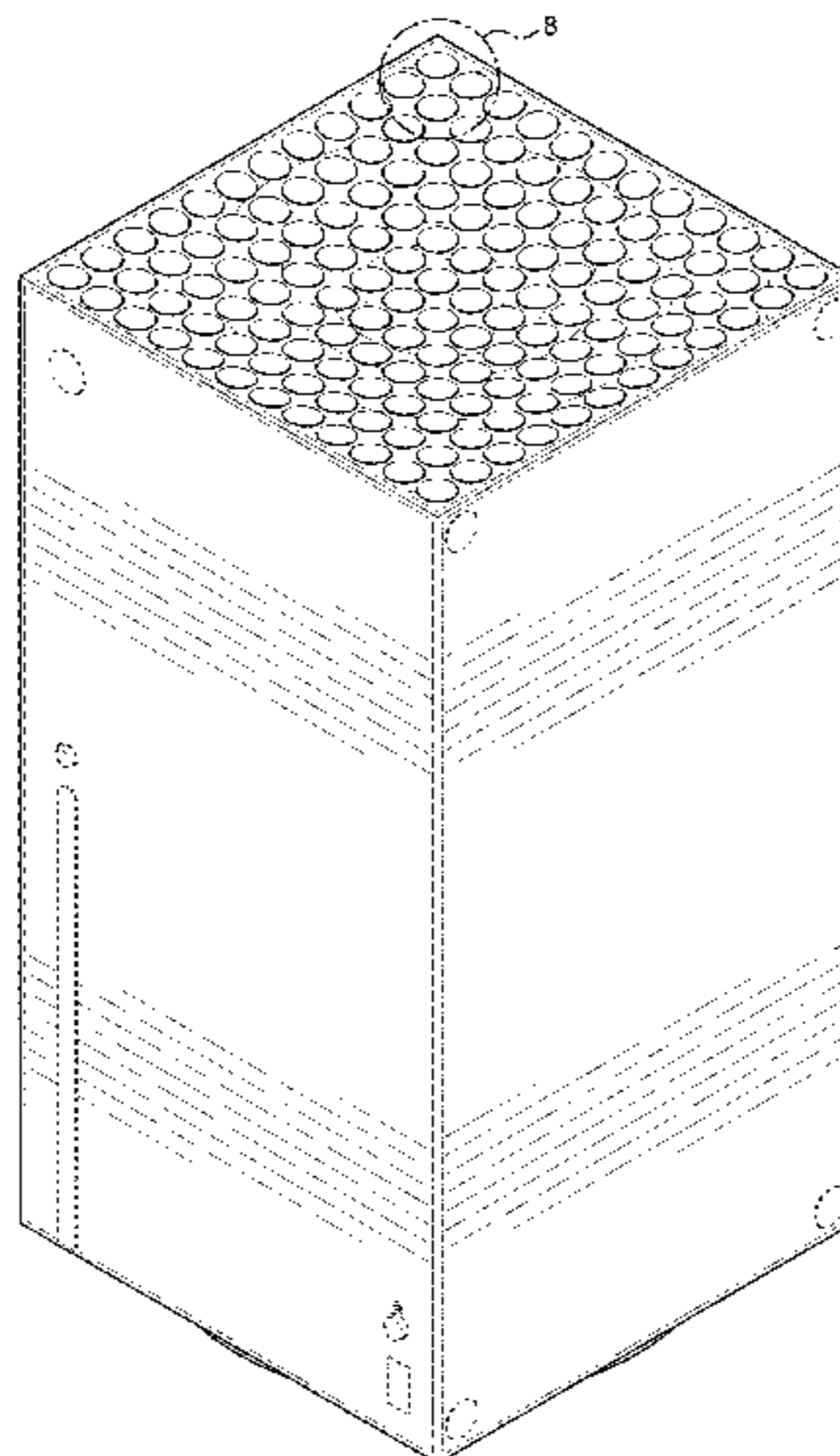
(57) **CLAIM**

The ornamental design for an electronic console, as shown and described.

DESCRIPTION

FIG. 1 is an isometric view of an electronic console showing our new design;
FIG. 2 is a front view thereof;
FIG. 3 is a rear view thereof;
FIG. 4 is a left side view thereof;
FIG. 5 is a right side view thereof;
FIG. 6 is a top view thereof;
FIG. 7 is a bottom view thereof;
FIG. 8 is an enlarged view of the encircled portion labeled as 8 in FIG. 1;
FIG. 9 is an enlarged view of the encircled portion labeled as 9 in FIG. 6;
FIG. 10 is an enlarged view of the encircled portion labeled as 10 in FIG. 7; and,
FIG. 11 is a cross-sectional view taken through line 11-11 of FIG. 6, showing the concave upper region of the electronic console.
The evenly dashed broken lines in the drawings depict portions of the electronic console that form no part of the claimed design. The long-short dash lines designate the boundaries of the magnified portions in FIGS. 1 and 6-10 and the cut-away portion in FIG. 11.

1 Claim, 10 Drawing Sheets



(56)

References Cited

U.S. PATENT DOCUMENTS

D410,282 S 5/1999 Gutmann
D415,482 S 10/1999 Jolson
D423,465 S 4/2000 Runnails et al.
D436,352 S 1/2001 Smith
D462,350 S 9/2002 Tanaka
D462,351 S 9/2002 Tanaka
D479,718 S 9/2003 Herrmann et al.
D481,388 S 10/2003 Tanaka
D483,756 S 12/2003 Tanaka et al.
D508,491 S 8/2005 Choi
D535,075 S 1/2007 Weiss
D572,202 S 7/2008 Jacoby et al.
D639,006 S 5/2011 Yang et al.
D643,965 S 8/2011 Sprengers
D650,785 S 12/2011 Terwilliger et al.
D657,788 S * 4/2012 Ledbetter D14/363
D664,993 S * 8/2012 Ledbetter D14/496
D665,348 S 8/2012 Ledbetter et al.
D665,424 S * 8/2012 Ledbetter D14/496
D682,282 S 5/2013 Steinfeld
D693,711 S * 11/2013 Jacobs D10/70
D696,626 S 12/2013 Jacobs et al.
D700,246 S * 2/2014 Jacobs D21/332
D702,184 S 4/2014 Jacobs et al.
D705,361 S * 5/2014 Jacobs D21/332
D705,869 S * 5/2014 Jacobs D21/332
D705,870 S * 5/2014 Jacobs D21/332
D705,871 S * 5/2014 Jacobs D21/332
D707,144 S * 6/2014 Jacobs D10/70
D708,971 S * 7/2014 Jacobs D10/70
D709,133 S * 7/2014 Jacobs D21/332
D709,134 S * 7/2014 Dallmeyer D21/332
D709,959 S * 7/2014 Jacobs D21/332
D711,258 S * 8/2014 Jacobs D10/70
D711,923 S * 8/2014 Dallmeyer D14/495
D713,420 S * 9/2014 Dallmeyer D14/495
D713,948 S 9/2014 Westphal
D722,116 S 2/2015 Gottschalk
D723,469 S * 3/2015 Morris D13/147
D728,089 S 4/2015 Crisa'
D734,531 S 7/2015 Tragatschnig
D755,942 S 5/2016 Kim et al.
D777,891 S 1/2017 Kubota et al.
D782,019 S 3/2017 Kim
D783,397 S * 4/2017 Riffe D9/434
D791,297 S 7/2017 Ljungstrom et al.
D799,016 S 10/2017 Su et al.
D799,598 S 10/2017 Clark et al.
D803,368 S 11/2017 Priester
D804,460 S 12/2017 Li
D805,067 S * 12/2017 Sparks D14/332
D805,130 S * 12/2017 Sparks D21/332
D805,131 S 12/2017 Sparks et al.
D805,132 S * 12/2017 Sparks D21/332
D805,133 S * 12/2017 Sparks D21/332
D812,053 S 3/2018 Kacin et al.
D817,927 S 5/2018 McManigal et al.
D820,358 S * 6/2018 Sparks D21/332
D826,334 S * 8/2018 Christie D21/332
D826,335 S * 8/2018 Christie D21/332
D826,336 S * 8/2018 Christie D21/332
D826,337 S * 8/2018 Christie D21/332
D827,032 S * 8/2018 Christie D21/332
D839,353 S * 1/2019 Christie D21/332
D839,354 S * 1/2019 Christie D21/332
D839,355 S * 1/2019 Christie D21/332
D842,847 S 3/2019 Walliser et al.
D843,351 S * 3/2019 Osborn D14/214
D844,578 S * 4/2019 Seflic D14/125
D846,383 S * 4/2019 Hernandez D9/434
D867,459 S * 11/2019 Chatterjee D21/333
D883,984 S 5/2020 Zhang et al.
D888,918 S 6/2020 Seo et al.
D889,447 S 7/2020 Biddle

D890,169 S 7/2020 Liu et al.
D891,406 S 7/2020 Hulick et al.
D905,161 S 12/2020 Ledbetter et al.

OTHER PUBLICATIONS

“Xbox One S Unboxing, Setup and Impressions” posted Aug. 3, 2016 [Online],[Retrieved Aug. 3, 2020], retrieved from internet: <https://www.youtube.com/watch?v=OcUCmwGyuzl>.*

“Office Action Issued in Indian Patent Application No. 323904-001”, dated Dec. 30, 2019, 2 Pages.

“Office Action Issued in Mexican Patent Application No. MX/f/2019/003243”, dated Dec. 18, 2019, 3 Pages.

“Office Action Issued in Mexican Patent Application No. MX/f/2019/003243”, dated Dec. 18, 2019, 3 Pages. (W/O English Translation).

“Office Action Issued in Mexican Patent Application No. MX/f/2019/003245”, dated Dec. 18, 2019, 3 Pages. (Without English Translation).

“Office Action Issued in PCT Application No. WIPO89462”, dated Feb. 11, 2020, 4 Pages.

“Office Action Issued in PCT Application No. WIPO89463”, dated Feb. 11, 2020, 4 Pages.

“Office Action Issued in Malaysian Patent Application No. 19-01484-0101”, dated Jan. 30, 2020, 2 Pages.

“Office Action Issued in Mexican Patent Application No. MX/f/2019/003244”, dated Dec. 18, 2019, 5 Pages.

“Office Action Issued in Malaysian Patent Application No. 19-01487-0101”, dated Jan. 29, 2020, 1 Page.

“Office Action Issued in Mexican Patent Application No. MX/f/2019/003242”, dated Feb. 4, 2020, 3 Pages.

“Office Action Issued in Malaysian Patent Application No. 19-01488-0101”, dated Jan. 31, 2020, 2 Pages. (W/o English Translation).

“Office Action Issued in Malaysian Patent Application No. 19-01485-0101”, dated Jan. 29, 2020, 2 Pages.

“Office Action Issued in Brazilian Patent Application No. BR302019005748-4”, dated Jun. 9, 2020, 02 Pages.

“Office Action Issued in Malaysian Patent Application No. 19-01486-0101”, dated Jan. 30, 2020, 3 Pages.

“Non Final Office Action Issued in U.S. Appl. No. 29/692,101”, dated Aug. 13, 2020, 9 Pages.

“Office Action Issued in Japanese Patent Application No. 2020-009930”, dated Oct. 21, 2020, 5 Pages.

“Xbox Series X”, Retrieved From: <https://www.xbox.com/en-US/consoles/xbox-series-x>, Retrieved on Dec. 21, 2020, 9 Pages.

“5 Bay RAID Enclosure”, Published by Orica, Retrieved Date: Dec. 21, 2020, 15 Pages.

Edmonds, Rich, “Nzxt H1 Review: This Compact PC Case Earned our Highest Rating”, Retrieved From: <https://www.windowcentral.com/nzxt-h1-review>, Feb. 25, 2020, 11 Pages.

Swinburne, Richard, “Fractal Design Array R2 Mini-ITX Case Review”, Retrieved From: <https://bit-tech.net/reviews/tech/cases/fractal-design-array-r2-m-itx-case-review/1/>, Jul. 14, 2010, 5 Pages.

“Non Final Office Action Issued in U.S. Appl. No. 29/692,097”, dated Jan. 1, 2021, 12 Pages.

“Non Final Office Action Issued in U.S. Appl. No. 29/692,089”, dated Jan. 1, 2021, 11 Pages.

“Non Final Office Action Issued in U.S. Appl. No. 29/692,085”, dated Jan. 1, 2021, 17 Pages.

“Office Action Issued in Canadian Patent Application No. 191482”, dated Apr. 21, 2021, 2 Pages.

“Office Action Issued in Canadian Patent Application No. 191480”, dated Apr. 21, 2021, 2 Pages.

“Office Action Issued in Canadian Patent Application No. 191485”, dated Apr. 21, 2021, 2 Pages.

“Office Action Issued in Canadian Patent Application No. 191481”, dated Apr. 21, 2021, 2 Pages.

“Office Action Issued in Canadian Patent Application No. 191479”, dated Apr. 21, 2021, 2 Pages.

* cited by examiner

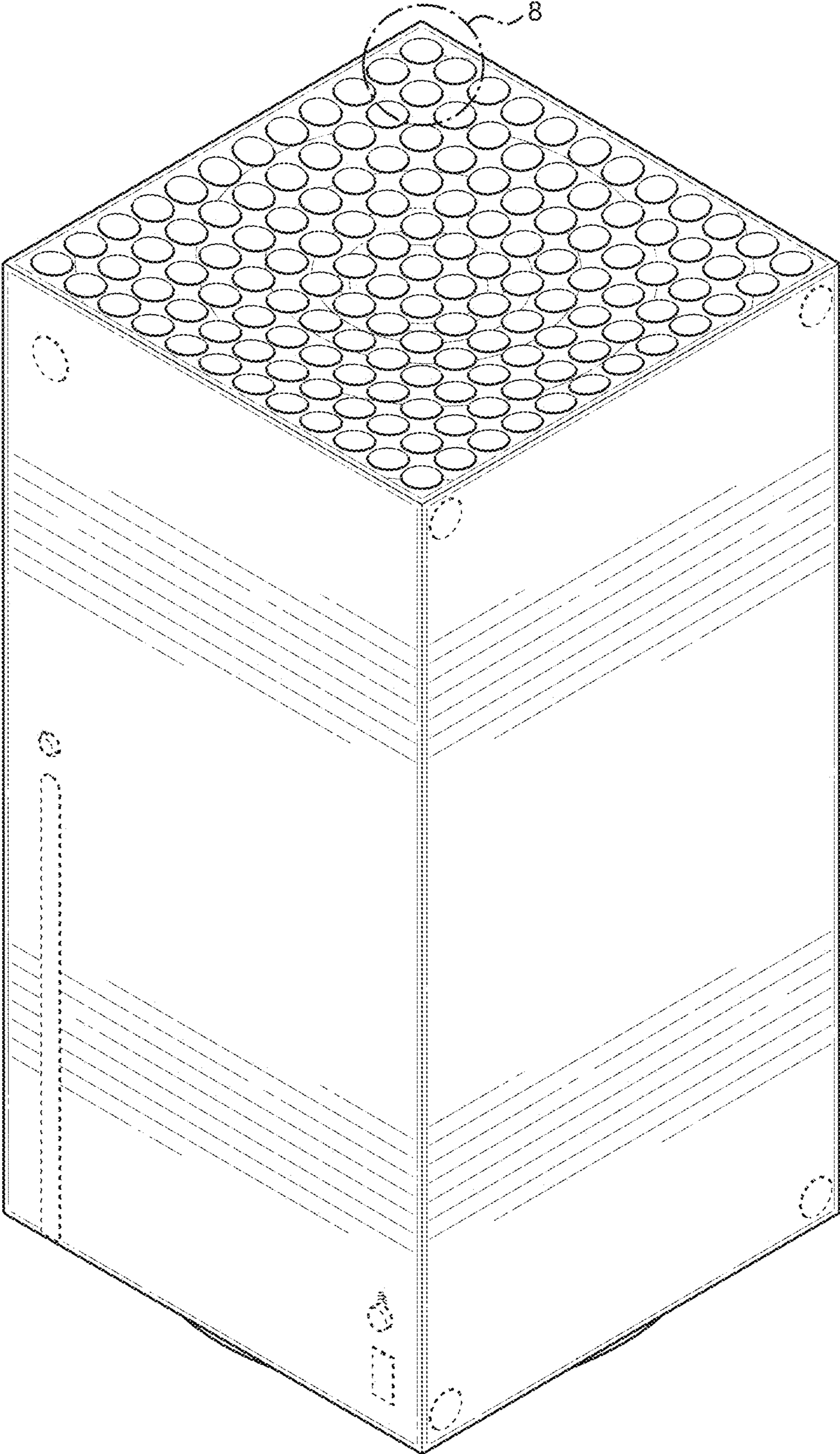


FIG. 1

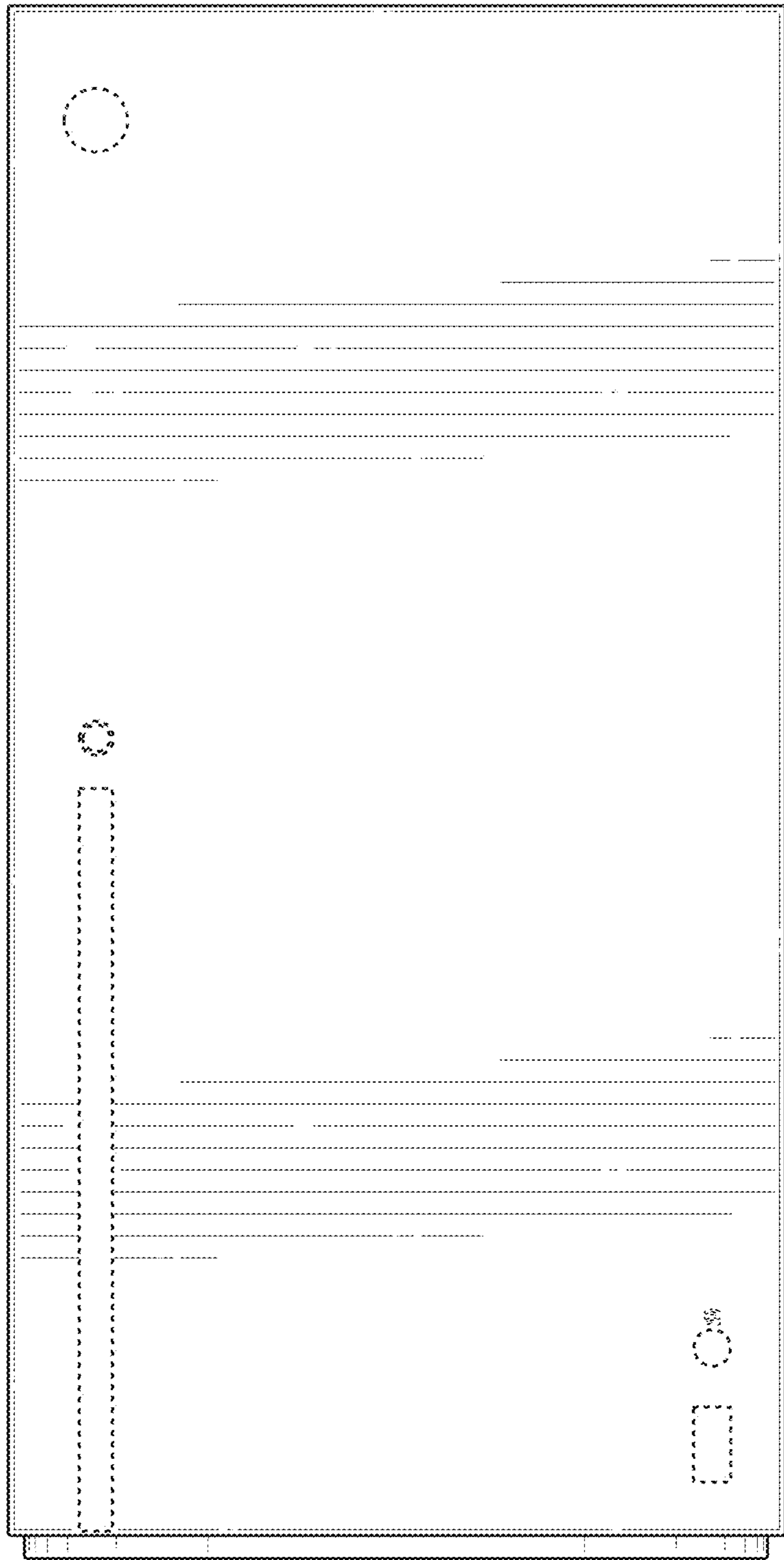


FIG. 2

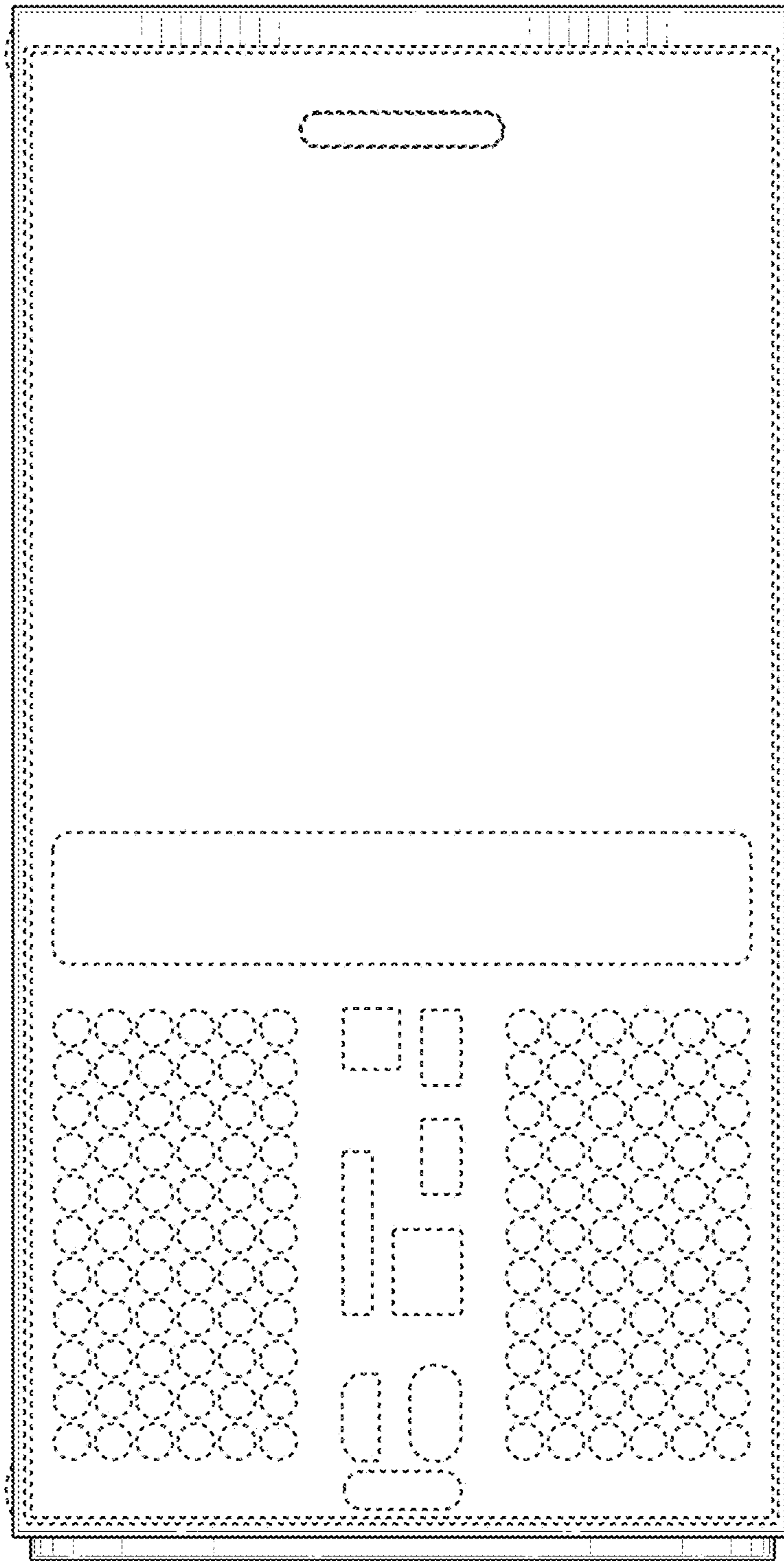


FIG. 3

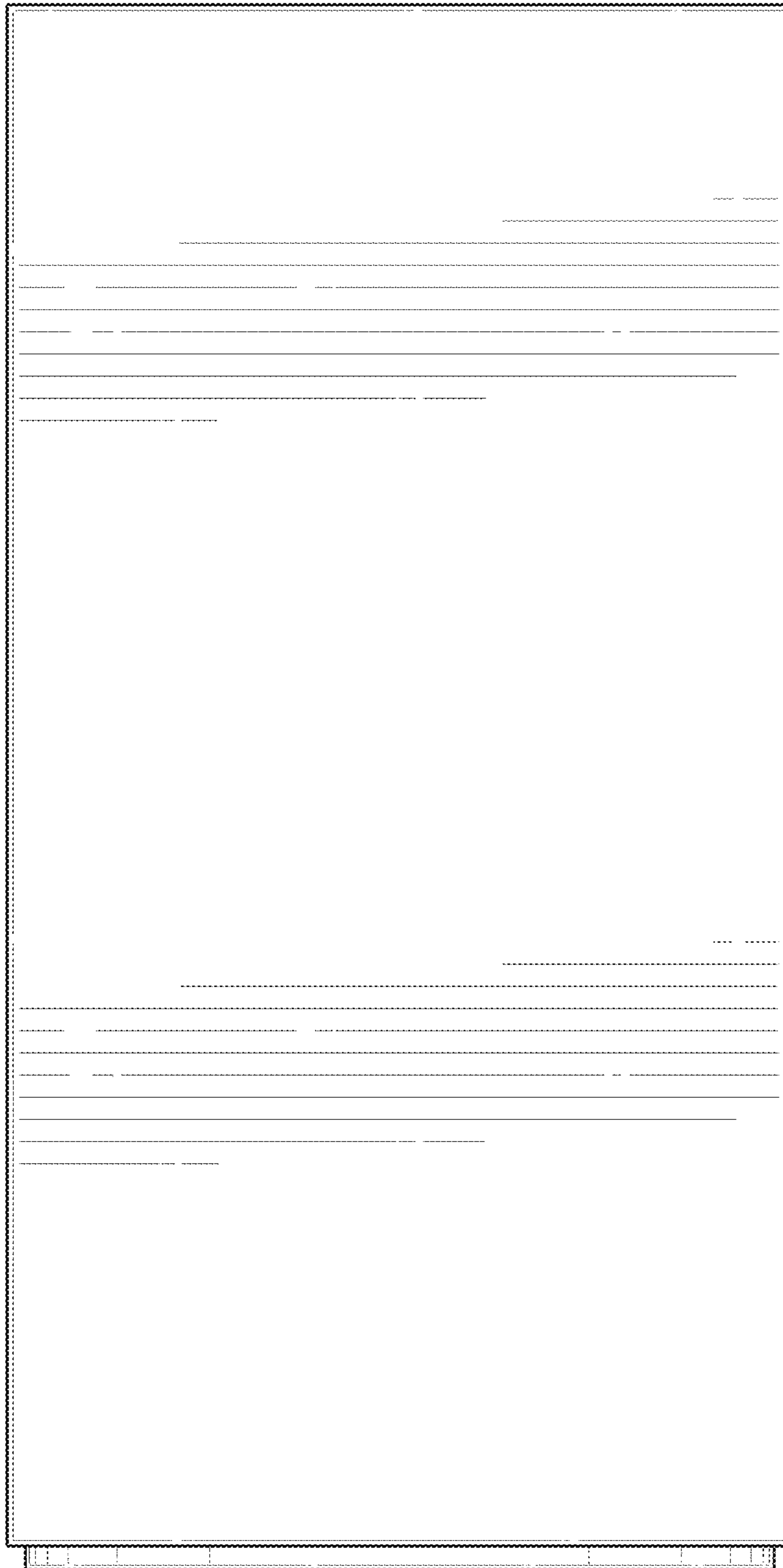


FIG. 4

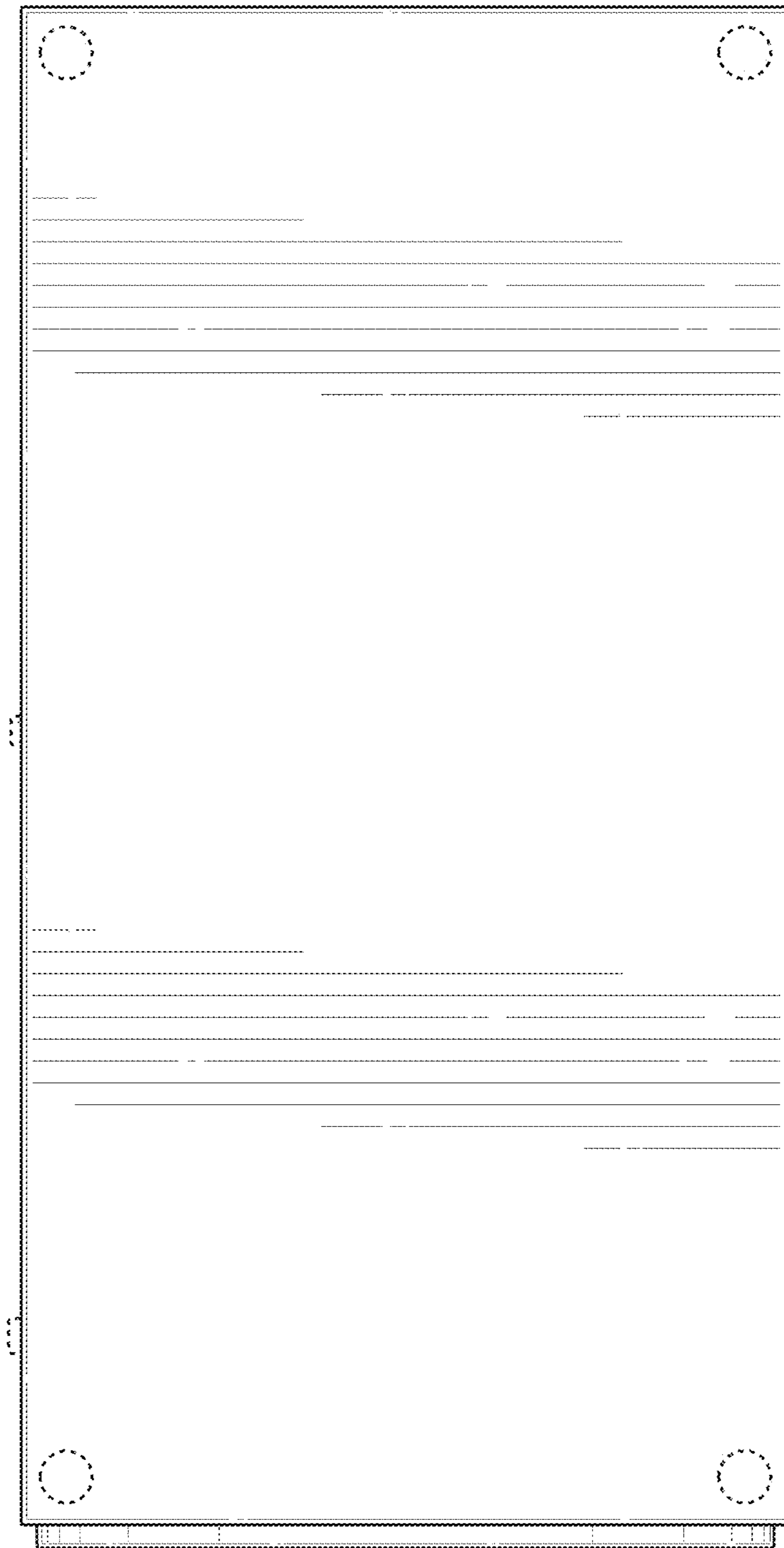


FIG. 5

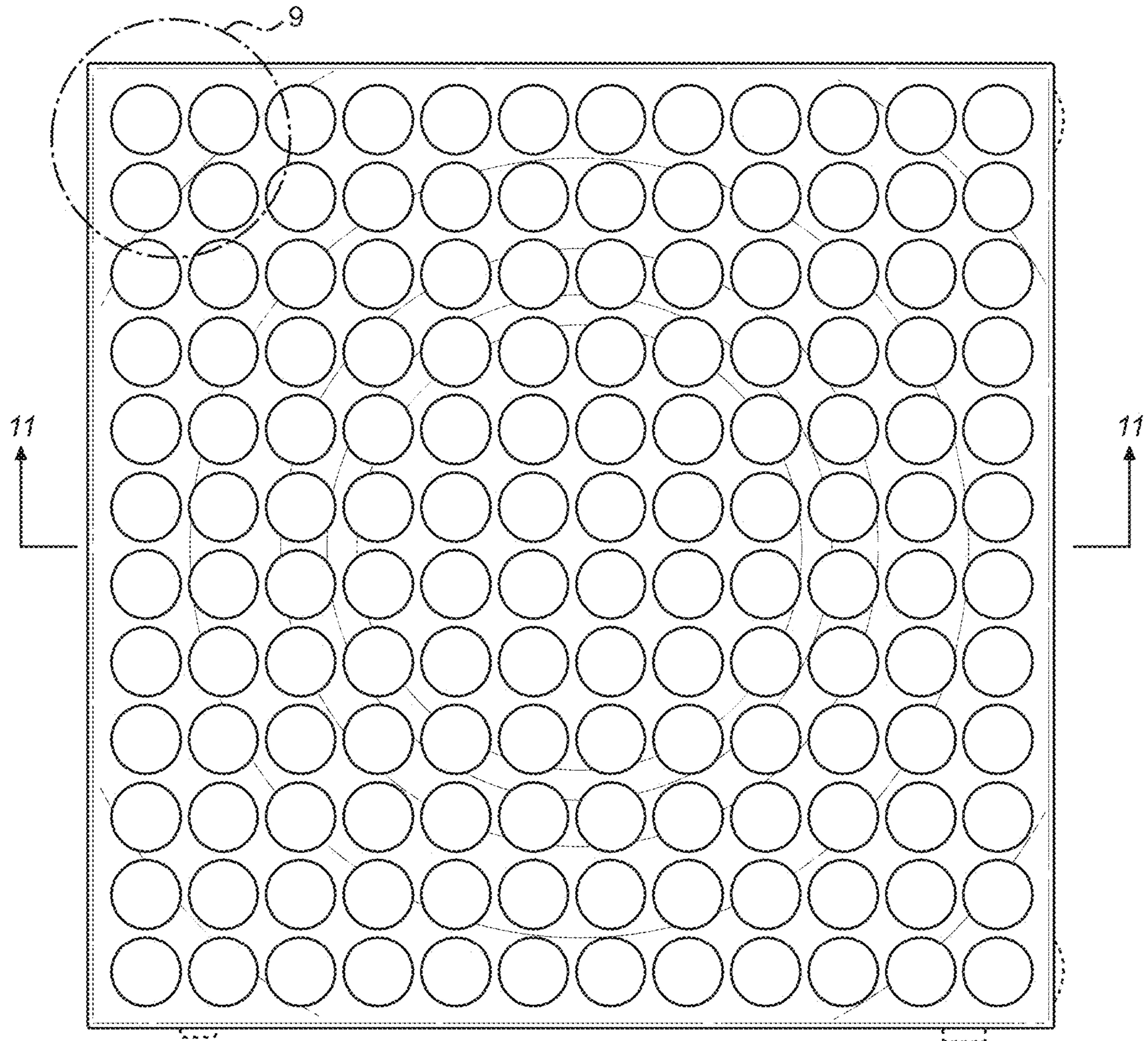


FIG. 6

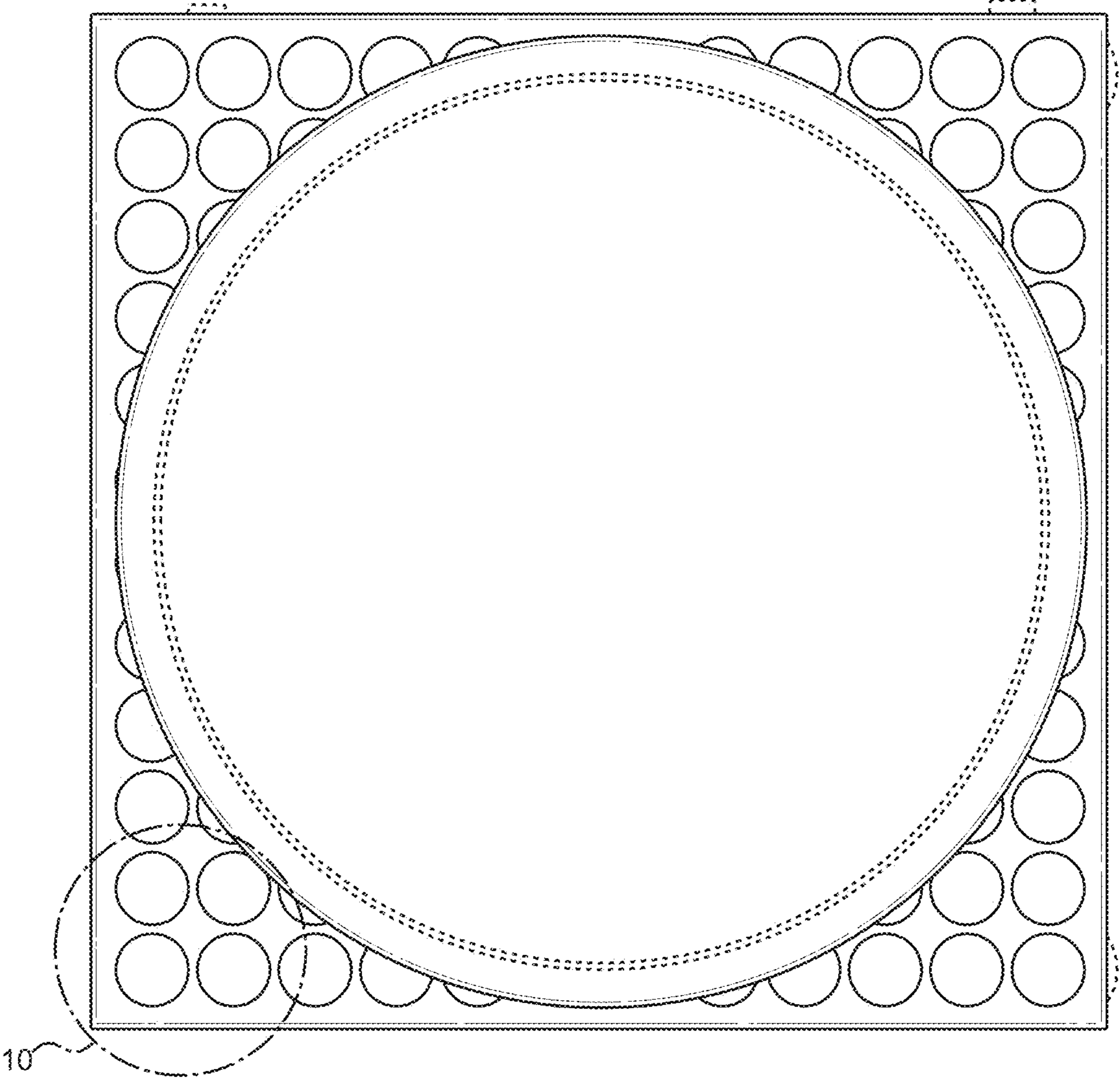


FIG. 7

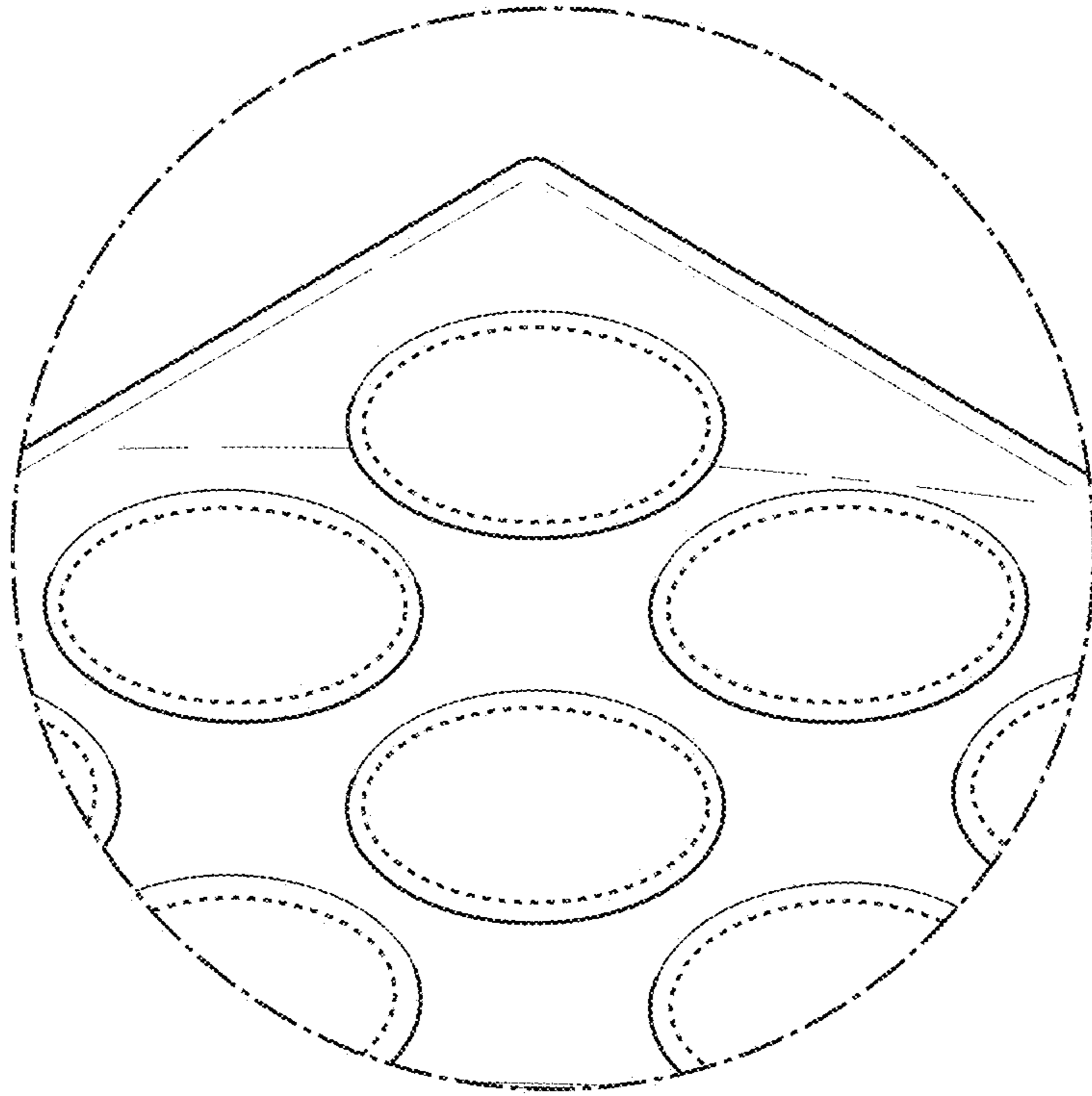


FIG. 8

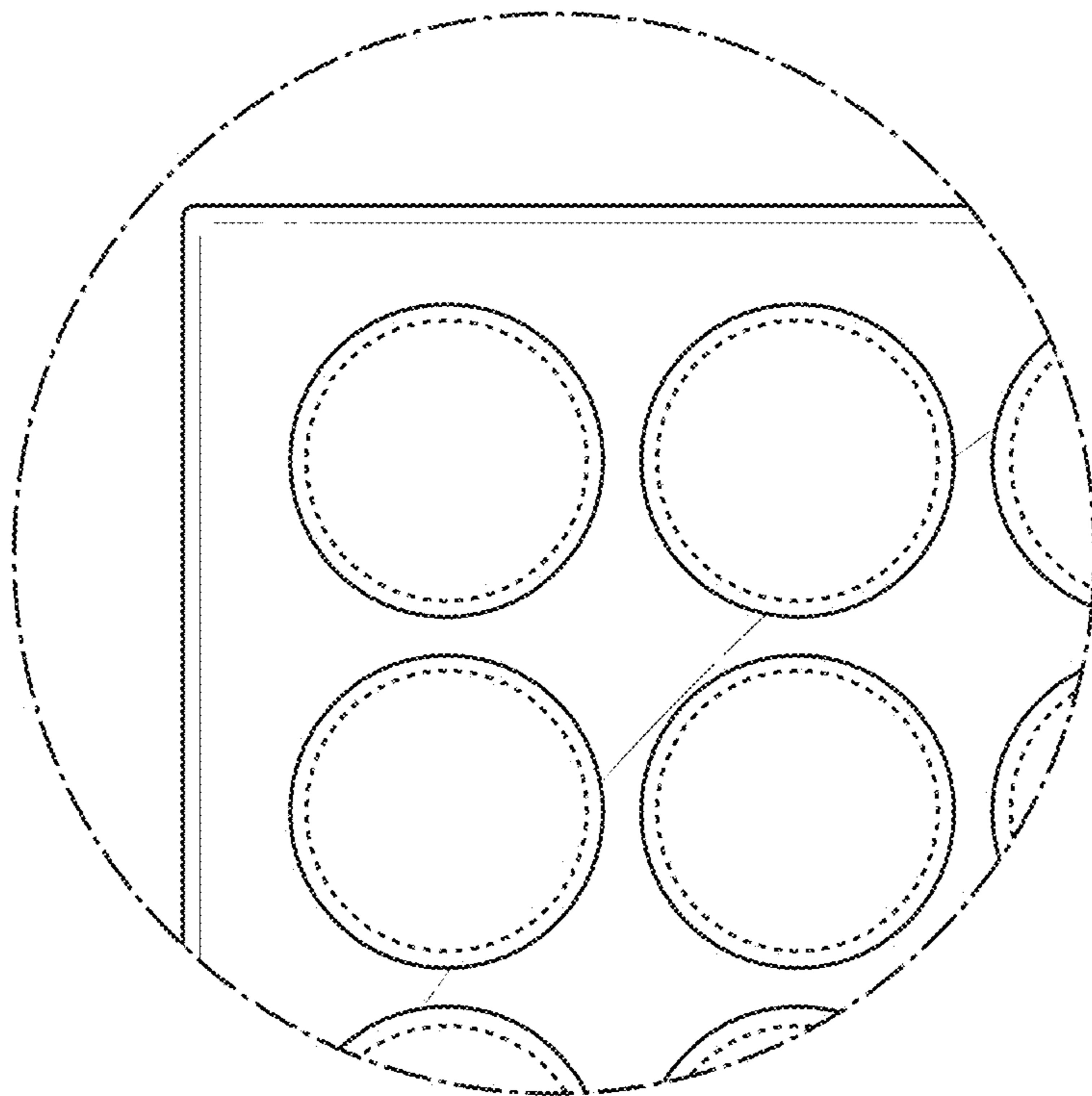


FIG. 9

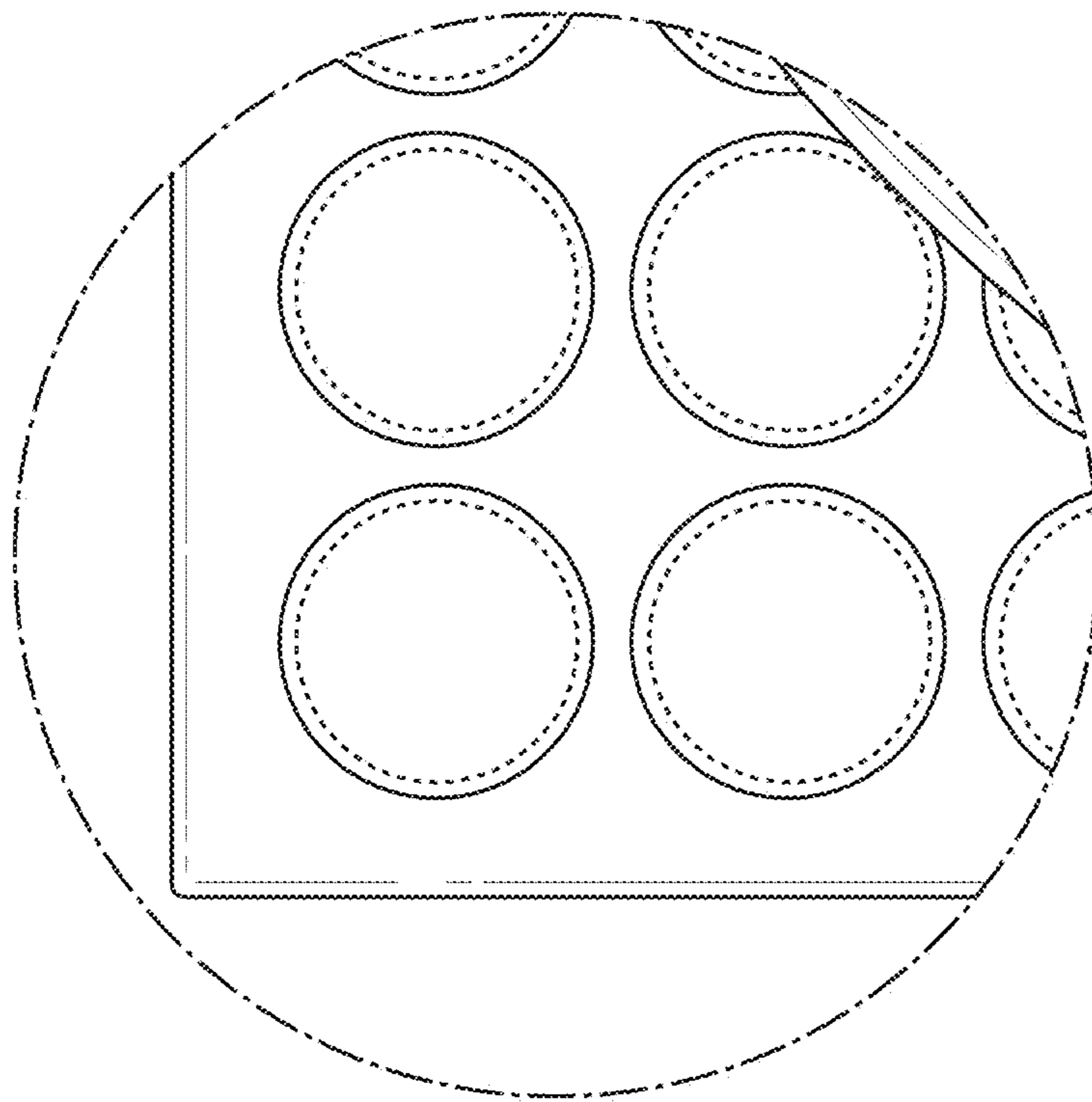


FIG. 10

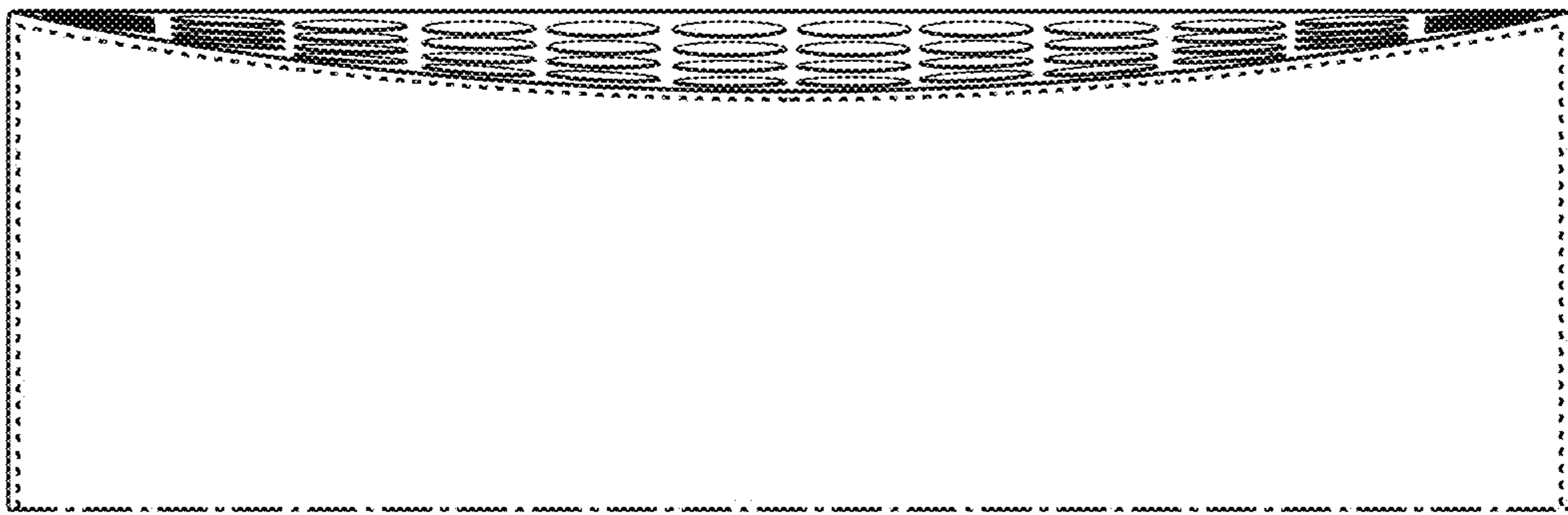


FIG.11