



US00D933744S

(12) **United States Design Patent**
Ishimoto et al.

(10) **Patent No.:** **US D933,744 S**
(45) **Date of Patent:** **** Oct. 19, 2021**

(54) **TAPE CARTRIDGE FOR A LABEL PRINTER**

(71) Applicant: **SEIKO EPSON CORPORATION,**
Tokyo (JP)

(72) Inventors: **Akio Ishimoto,** Shiojiri (JP); **Taishi Sasaki,** Matsumoto (JP)

(73) Assignee: **SEIKO EPSON CORPORATION,**
Tokyo (JP)

(**) Term: **15 Years**

(21) Appl. No.: **29/718,391**

(22) Filed: **Dec. 24, 2019**

(30) **Foreign Application Priority Data**

Jun. 28, 2019 (JP) 2019-014477

(51) **LOC (13) Cl.** **18-02**

(52) **U.S. Cl.**
USPC **D18/56**

(58) **Field of Classification Search**

USPC D15/122, 135-138, 141, 66, 73, 76-78;
D18/53, 59, 50, 14, 19, 54-57, 36-49,
D18/34.4, 34.5, 34.6, 18, 51, 12;
D14/301-303, 307, 345, 420-425, 462;
D6/691.4, 675, 708; D13/107, 108
CPC B41J 2/14; B41J 1/54; B41J 3/4073; B41J
3/4078; B41F 17/22; B41F 17/003; B41F
17/38; B28B 1/001; G03G 15/08; G03G
15/0891; G03G 15/0875; G03G
2215/0827; G03G 2215/0855; G03G
21/1842

See application file for complete search history.

(56) **References Cited**

U.S. PATENT DOCUMENTS

5,350,243 A * 9/1994 Ichinomiya B41J 32/00
242/594
5,515,143 A * 5/1996 Shiotani G03G 15/0868
141/364

D372,269 S * 7/1996 Miyazaki 400/208
5,887,997 A * 3/1999 Watanabe B41J 3/44
400/615.2
5,921,688 A * 7/1999 Furuya B41J 17/32
400/207

(Continued)

FOREIGN PATENT DOCUMENTS

CN 305929004 * 7/2020
JP 1496508 S 5/2014
WO WO D205565-001 * 6/2020

OTHER PUBLICATIONS

Magnetic 2 Inch Label Cartridge, no date available [online], [retrieved Jun. 4, 2021], Available from Internet, URL: https://www.grainger.com/product/60YR48?ef_id=EAlalQobChMIvcCD1MD88AIVB46zCh0FPwi0EAsYBCABEgK_VfD_BwE:G:s&s_kwcid=AL!2966!3!496359977950!!!g!471328313928!&gucid=N:N:PS:Paid:GGL:CSM-2295:4P7A1P:20501231&gclid=EAlalQobChMIvcCD1MD88AIVB46zCh0FRwi0EAsYBCABEgK_VfD_BwE&gclidsrc=aw.ds.*

(Continued)

Primary Examiner — Dana K Weiland
Assistant Examiner — Mary Claire Ramirez

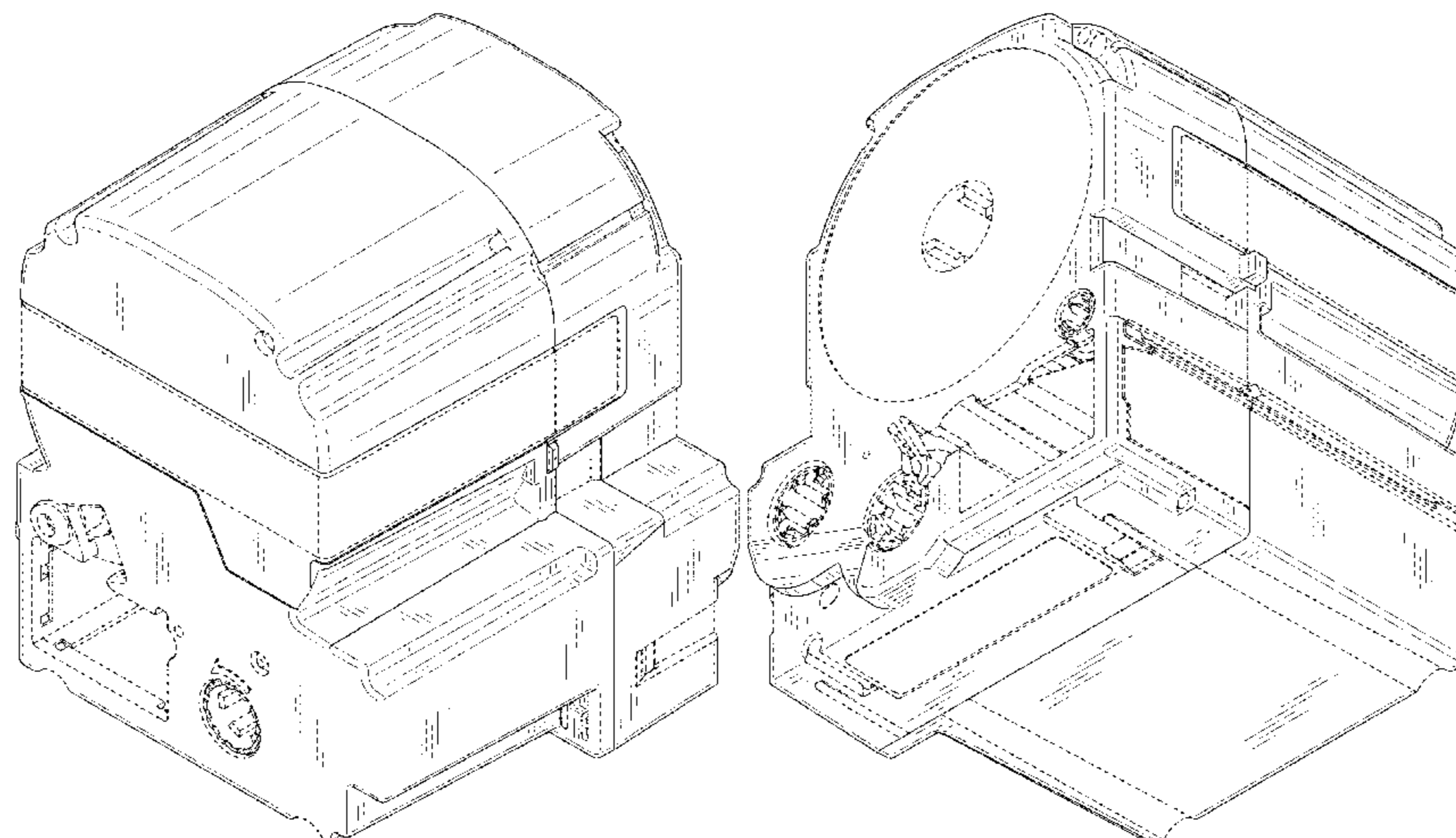
(57) **CLAIM**

The ornamental design for a tape cartridge for a label printer, as shown and described.

DESCRIPTION

FIG. 1 is a front, top and right side perspective view of a tape cartridge for a label printer showing our new design; FIG. 2 is a rear, bottom and left side perspective view thereof; FIG. 3 is a front view thereof; FIG. 4 is a rear view thereof; FIG. 5 is a top plan view thereof; FIG. 6 is a bottom plan view thereof; FIG. 7 is a right side view thereof; and, FIG. 8 is a left side view thereof.

(Continued)



The broken lines illustrate portions of the tape cartridge for a label printer that form no part of the claimed design.

1 Claim, 8 Drawing Sheets

(56)

References Cited

U.S. PATENT DOCUMENTS

5,947,619 A * 9/1999 Kurashina B41J 3/407
400/615.2
5,980,134 A * 11/1999 Yanagisawa B41J 2/3551
400/120.14
D423,566 S * 4/2000 Hosono D18/56
D436,111 S * 1/2001 Hahn D14/475
D466,150 S * 11/2002 Matsumoto D18/56
D537,105 S * 2/2007 Obenshain D18/12
8,100,595 B2 * 1/2012 Terry B41J 3/4075
400/613

8,162,553 B2 * 4/2012 Vandermeulen B41J 15/044
400/613
D660,352 S * 5/2012 Sodeyama D18/56
D665,020 S * 8/2012 Sodeyama D18/56
D675,254 S * 1/2013 Kubota D18/56
D675,255 S * 1/2013 Kubota D18/56
8,465,219 B2 * 6/2013 Terry B65C 9/1892
400/613
8,465,220 B2 * 6/2013 Terry B41J 15/044
400/613
10,803,264 B2 * 10/2020 Ackley G06K 5/00
2007/0001050 A1 * 1/2007 Taatjes B29C 64/25
242/598.6
2018/0250958 A1 * 9/2018 Yasuki B41J 2/32
2020/0207128 A1 * 7/2020 Ishimoto B41J 15/044

OTHER PUBLICATIONS

“Epson LabelWorks LW-Z900FK Label Printer” YouTube.com. 1:58-2:09. Published Jan. 7, 2016. Accessed Jul. 15, 2021. Available online at URL: <<https://www.youtube.com/watch?v=ku3BiWGPPrRk>>.

* cited by examiner

FIG.1

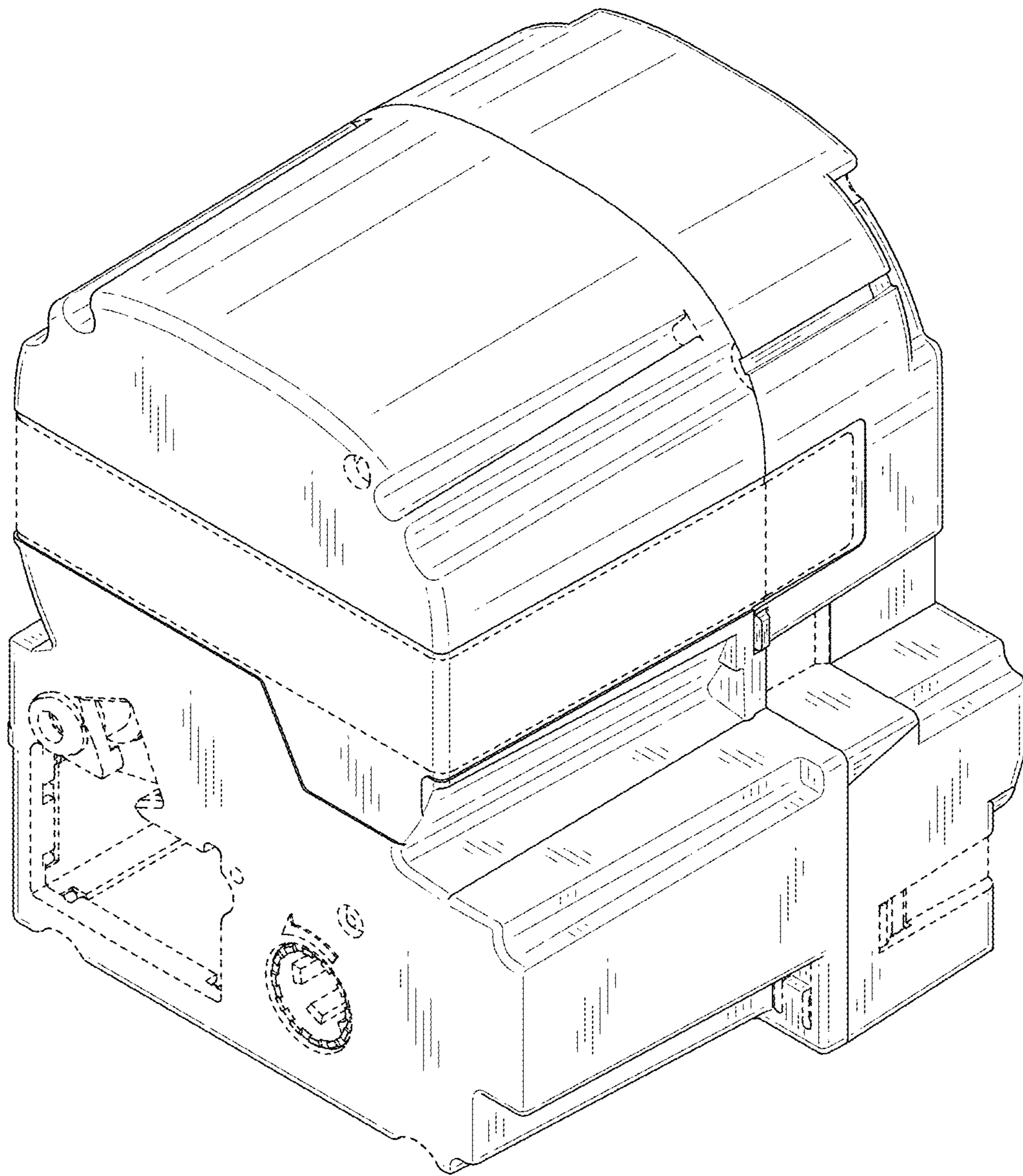


FIG.2

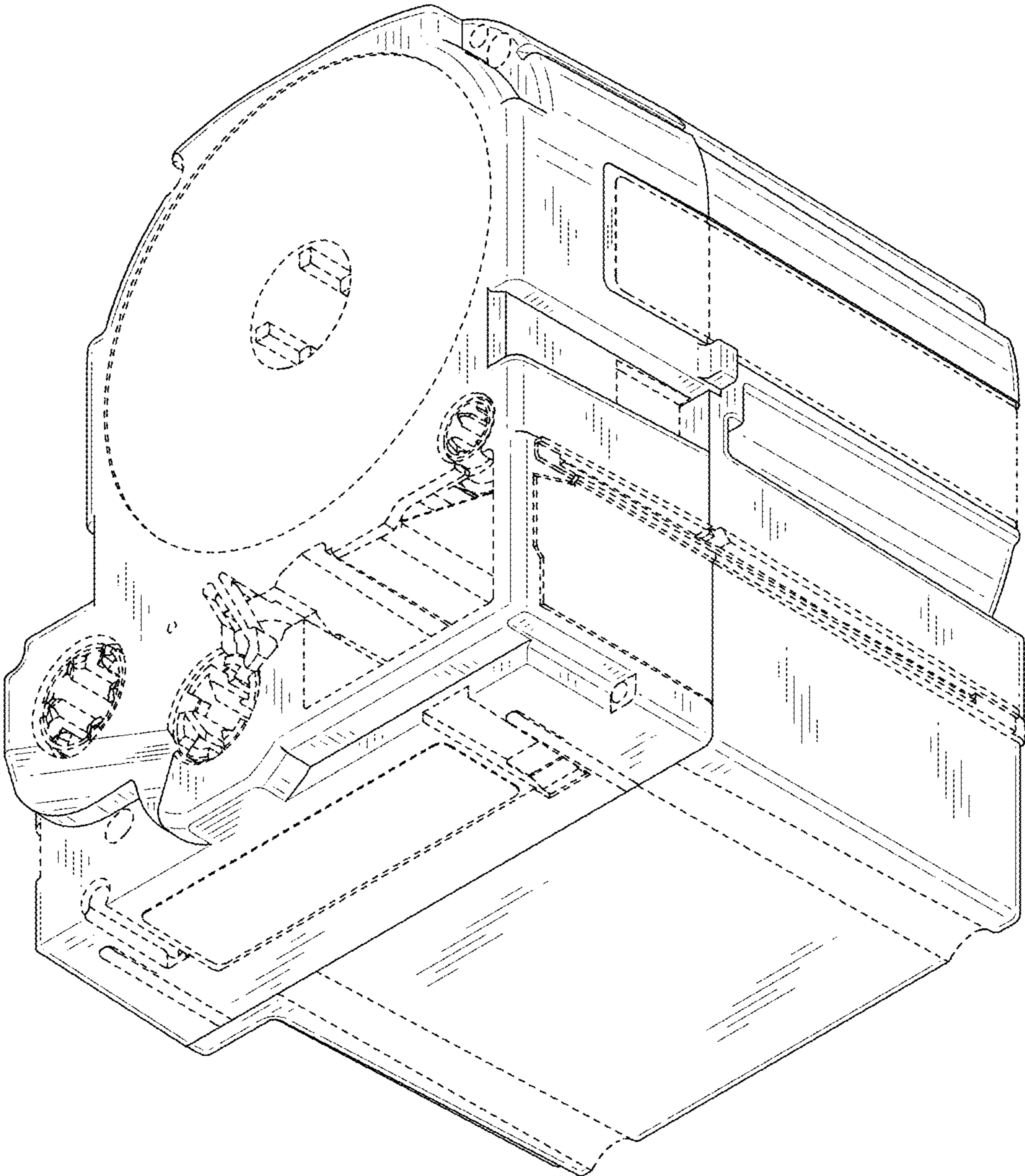


FIG.3

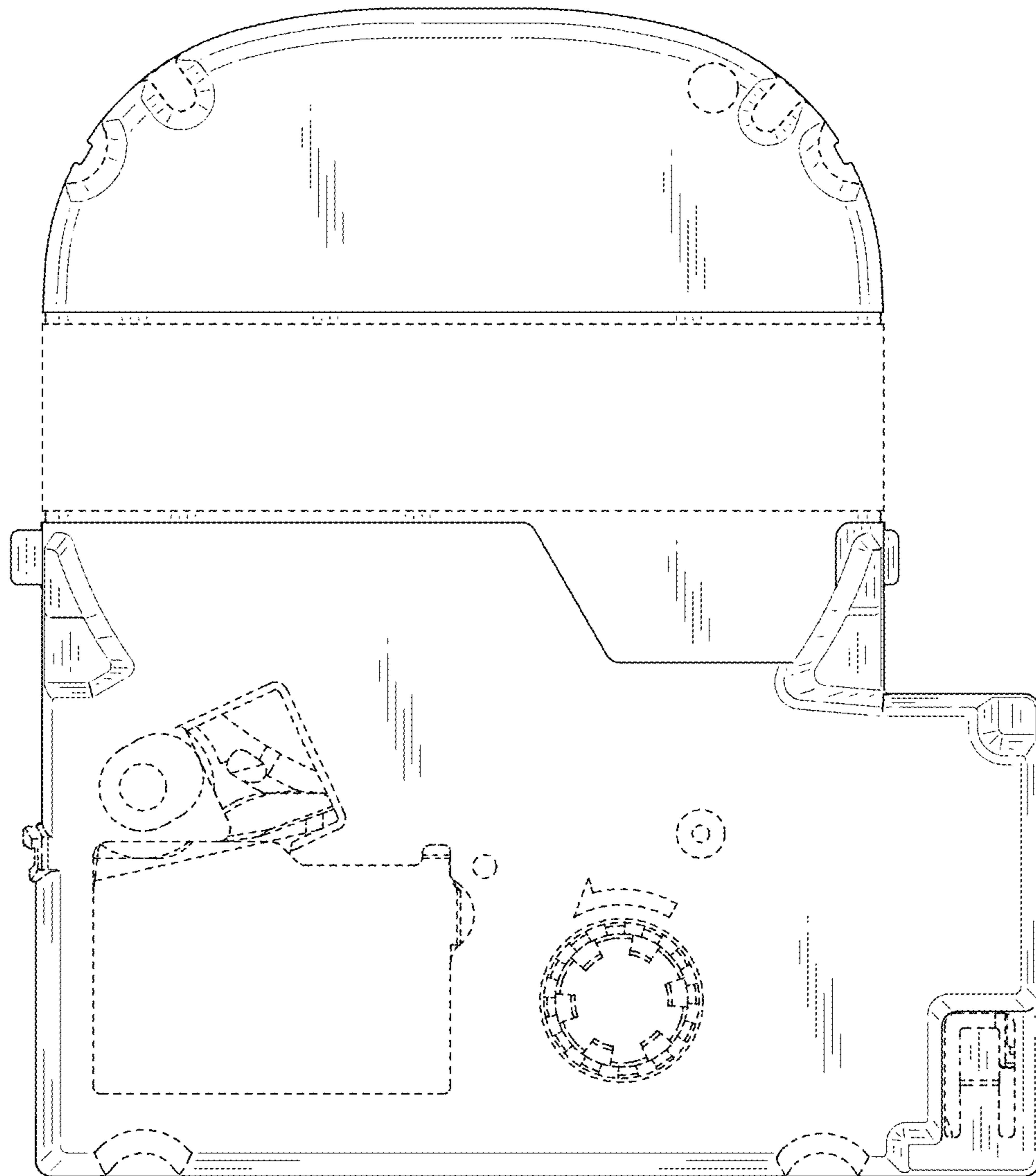


FIG.4

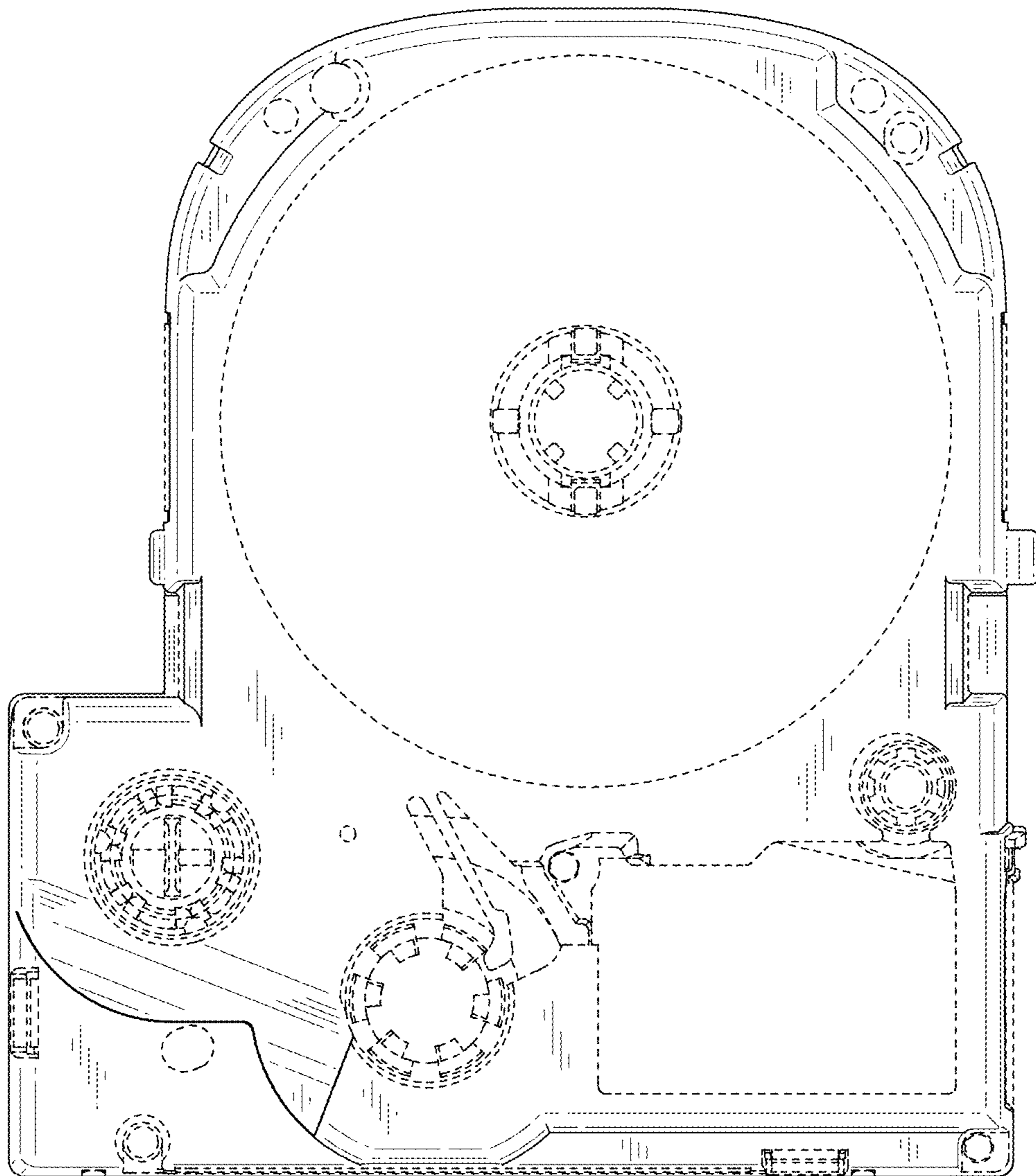


FIG.5

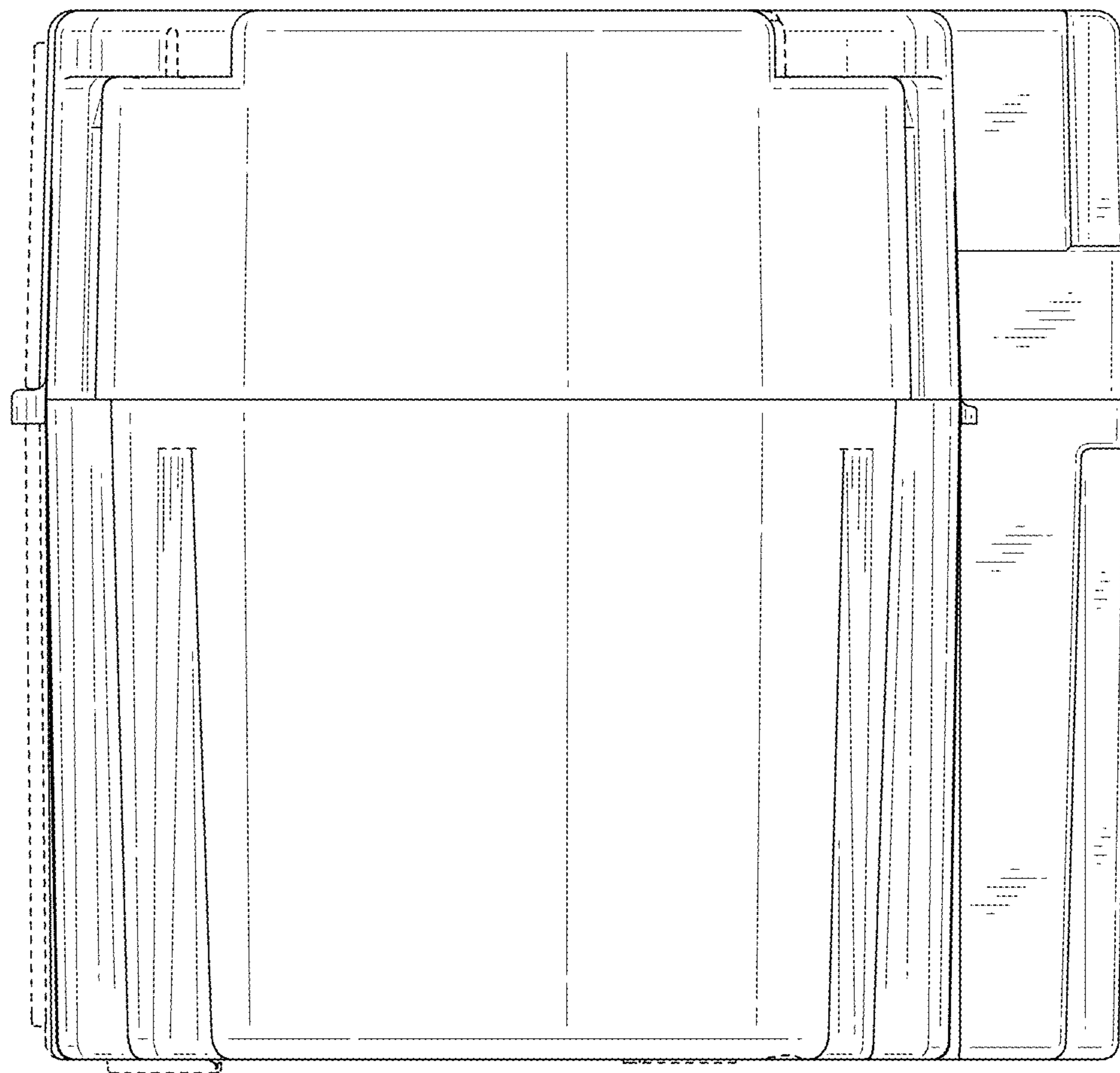


FIG.6

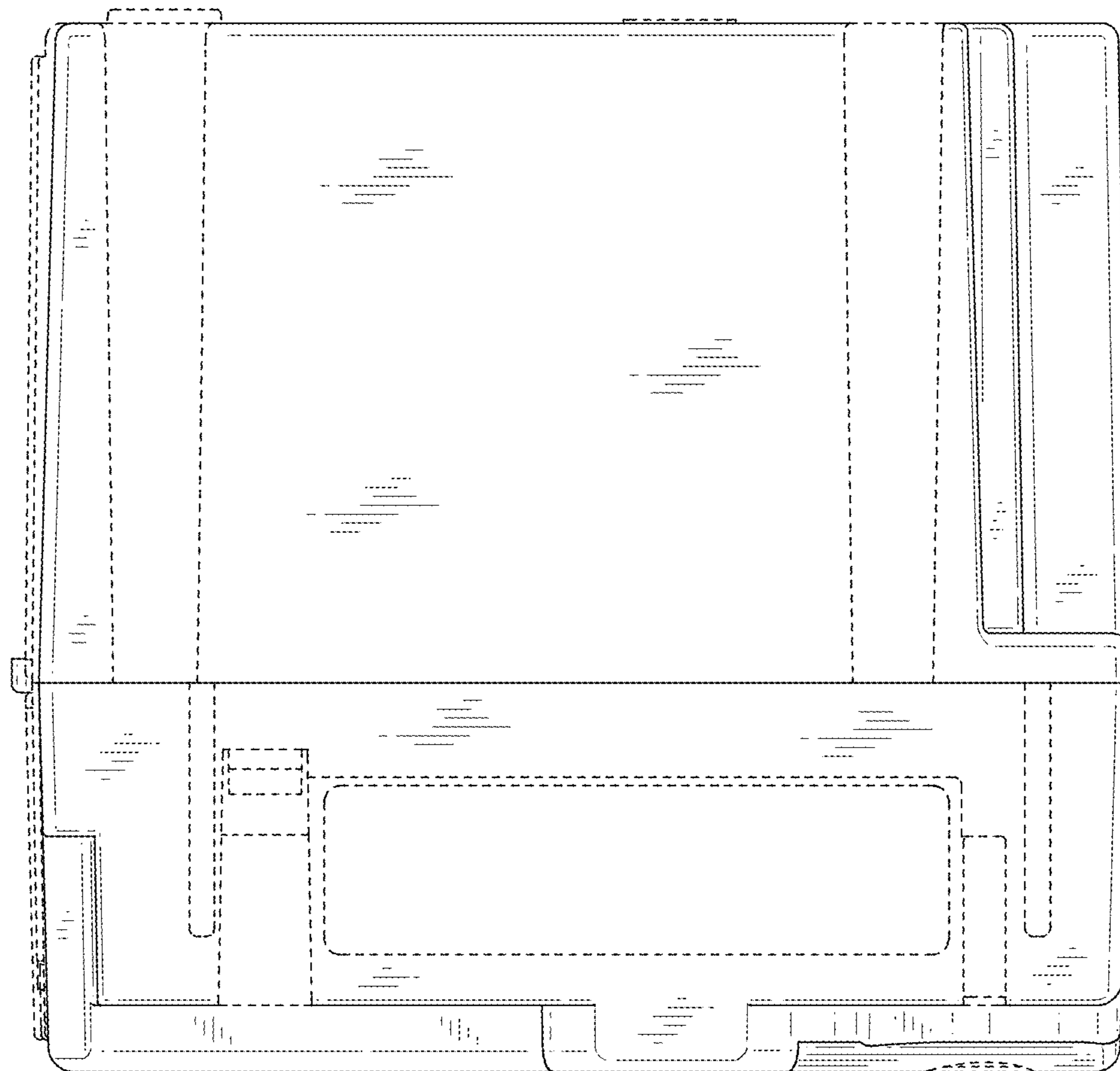


FIG.7

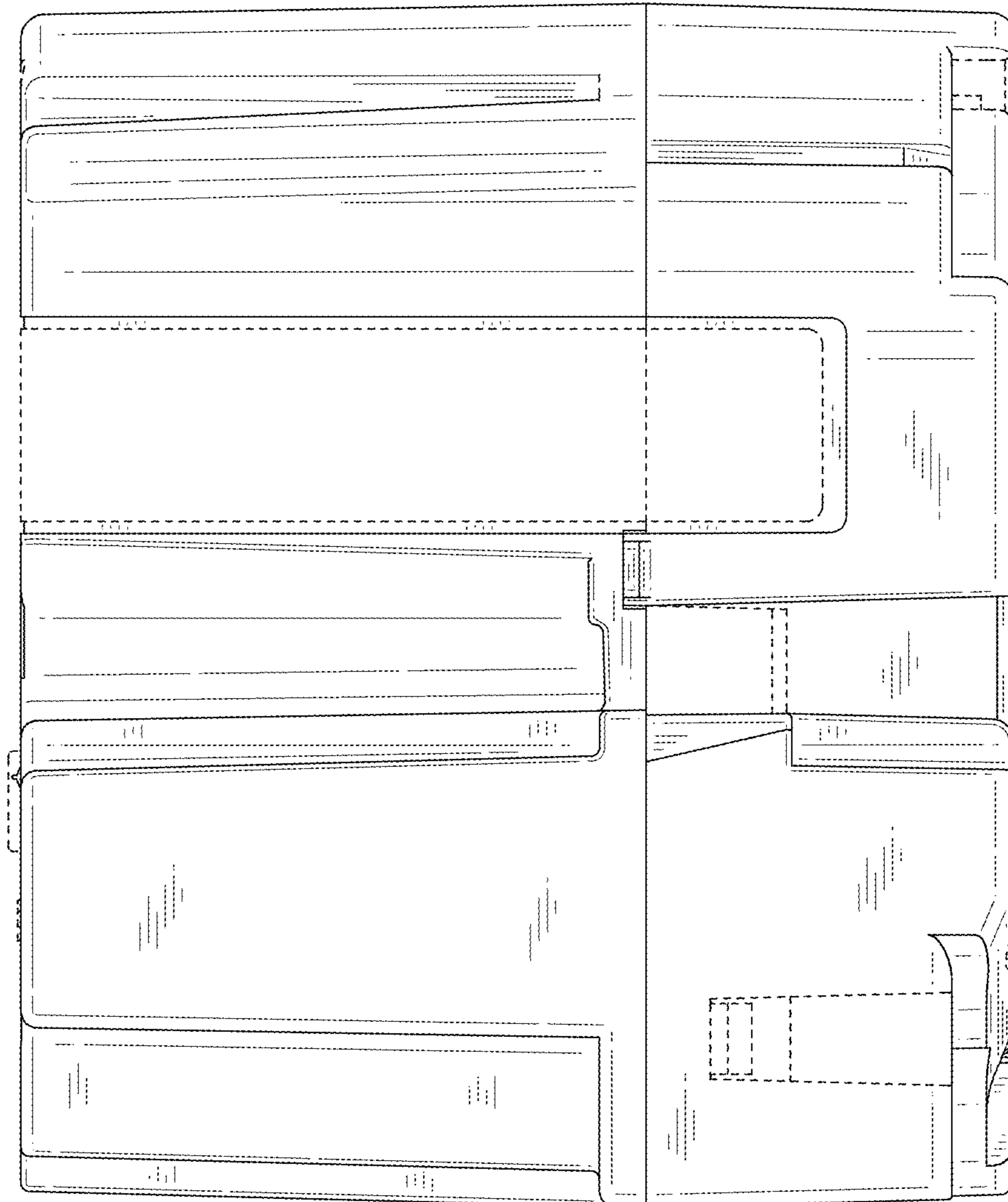


FIG.8

