



US00D933741S

(12) **United States Design Patent** (10) **Patent No.:** **US D933,741 S**
Guyre (45) **Date of Patent:** **** Oct. 19, 2021**

- (54) **CURVED PEDAL**
- (71) Applicant: **Matthew Guyre**, Bellevue, ID (US)
- (72) Inventor: **Matthew Guyre**, Bellevue, ID (US)
- (**) Term: **15 Years**
- (21) Appl. No.: **29/643,358**
- (22) Filed: **Apr. 6, 2018**

Related U.S. Application Data

- (63) Continuation-in-part of application No. 15/530,680, filed on Nov. 1, 2016, now Pat. No. 10,311,840, and (Continued)

(51) **LOC (13) Cl.** **17-03**

(52) **U.S. Cl.**
USPC **D17/20**

(58) **Field of Classification Search**
USPC D17/4, 9, 13, 20-22, 24, 99; D30/146, D30/149; D2/946-947, 951, 960;
(Continued)

(56) **References Cited**

U.S. PATENT DOCUMENTS

846,391 A 3/1907 Bower
852,881 A 5/1907 Kendis
(Continued)

FOREIGN PATENT DOCUMENTS

CN 3340657 6/2003
CN 2627614 Y 7/2004
(Continued)

OTHER PUBLICATIONS

Amazon, Pearl P-930 Drum Pedal, posted Mar. 24, 2013, [online], [visited Oct. 23, 2020]. Internet, <URL: <https://www.amazon.co.uk/Pearl-P-930-Pedal-Interchangeable-Chrome/dp/B00BIBBKJA/ref>> (Year: 2013).*

(Continued)

Primary Examiner — Sheryl Lane
Assistant Examiner — Samantha N Wood
(74) *Attorney, Agent, or Firm* — JTT Patent Services, LLC; Gerald T. Peters

(57) **CLAIM**

The ornamental design for a curved pedal, as shown and described.

DESCRIPTION

FIG. 1 is a right side view of a first embodiment of a curved pedal, showing my new design, in an exemplary environment;

FIG. 2 is a left side view thereof;

FIG. 3 is a top view thereof;

FIG. 4 is a bottom view thereof;

FIG. 5 is a rear view thereof;

FIG. 6 is a front view thereof;

FIG. 7 is a right side view of a second embodiment of a curved pedal, showing my new design, in an exemplary environment;

FIG. 8 is a left side view thereof;

FIG. 9 is a top view thereof;

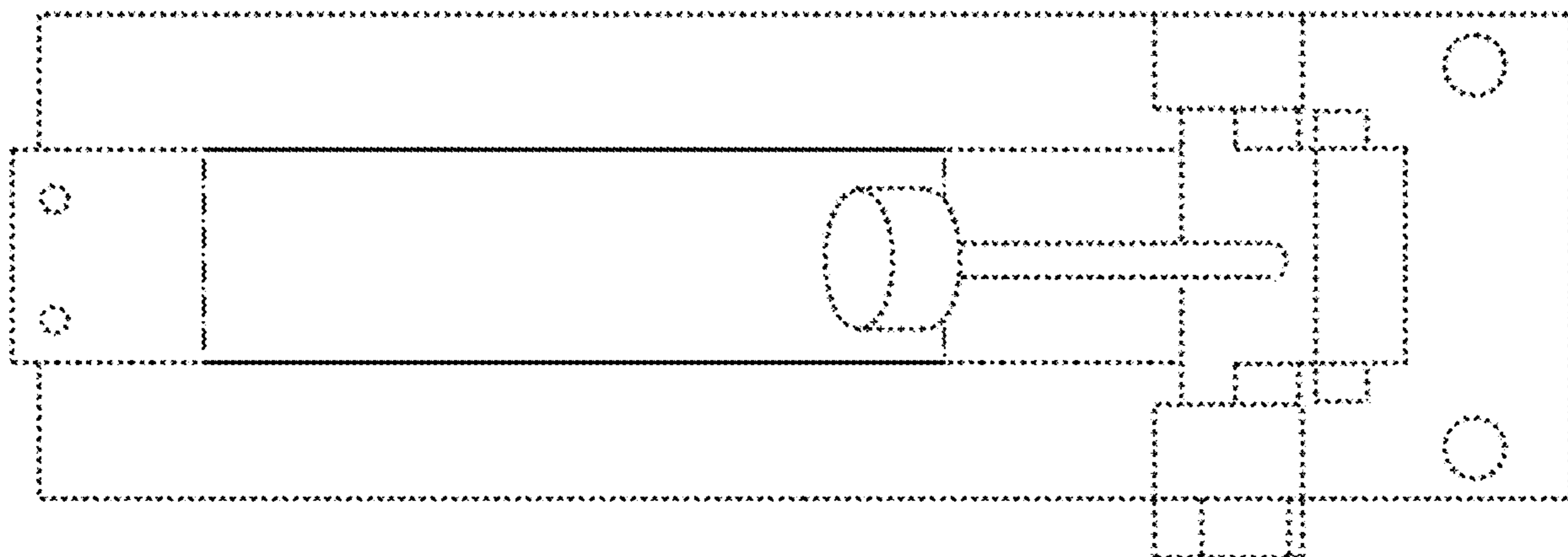
FIG. 10 is a bottom view thereof;

FIG. 11 is a rear view thereof; and,

FIG. 12 is a front view thereof.

In the drawings, portions drawn in solid line indicate claimed subject matter. Portions drawn in dashed or dotted line indicate unclaimed environment and form no part of the claimed design. Dot-dash chain lines indicate boundaries between claimed subject matter and unclaimed environment, and form no part of the claimed design.

1 Claim, 12 Drawing Sheets



Related U.S. Application Data

a continuation-in-part of application No. 29/602,088, filed on Apr. 28, 2017, now Pat. No. Des. 836,710, which is a continuation-in-part of application No. 15/530,680, filed on Nov. 1, 2016, now Pat. No. 10,311,840, application No. 29/643,358, which is a continuation-in-part of application No. PCT/US2017/059463, filed on Nov. 1, 2017, which is a continuation-in-part of application No. 15/530,680, filed on Nov. 1, 2016, now Pat. No. 10,311,840.

- (58) **Field of Classification Search**
 USPC D21/405, 409–411, 483, 818, 820, 821, D21/814, 819, 822; D12/114, 117, 174, D12/179, 180; D13/167, 115; D23/386, D23/393; D8/373, 354, 366, 363, 314
 CPC G10D 13/00; G10D 13/006; G10D 13/02; G10D 13/024; G10D 13/025; G10D 13/065; G10D 13/11; G10D 13/10
 See application file for complete search history.

(56) **References Cited**

U.S. PATENT DOCUMENTS

1,042,919	A	10/1912	Hughes	
1,092,276	A	4/1914	Ludwig	
1,209,804	A	12/1916	Bessinger	
1,319,994	A	10/1919	Dorn	
D55,365	S	6/1920	Champane	
D59,788	S	11/1921	Schwartz	
2,132,211	A	10/1938	Hueckstead	
D116,141	S	8/1939	Marciano	
2,540,051	A	1/1951	Ludwig	
2,628,507	A	2/1953	Juergens	
2,680,384	A	6/1954	Horrocks	
2,893,284	A	7/1959	Washington	
D195,918	S *	8/1963	Melcher	D8/400
D199,951	S	12/1964	Golden	
D204,235	S *	4/1966	Elder	D8/314
3,592,076	A	7/1971	Baginski	
4,198,894	A	4/1980	Della-Porta	
4,310,064	A	1/1982	Kazarian, Jr.	
4,313,352	A	2/1982	Okajima	
4,335,628	A	6/1982	Shimano	
D270,574	S *	9/1983	Black	D25/68
D285,224	S *	8/1986	Olsen	D21/493
D288,280	S *	2/1987	Schnable	74/606 R
4,691,613	A	9/1987	Jacobson	
D299,222	S	1/1989	Feamster, III	
D308,816	S *	6/1990	Petty	248/332
D311,989	S	11/1990	Parker	
D320,369	S	10/1991	Feamster, III	
D326,557	S	6/1992	Gardner	
D338,483	S *	8/1993	Kurosaki	D17/22
D342,720	S *	12/1993	Phleps	D13/167
D353,992	S *	1/1995	Dombrowski	D8/373
5,423,231	A	6/1995	Helfrich	
D369,389	S *	4/1996	Beyer	D12/114
D390,253	S	2/1998	Bacco	
5,773,736	A	6/1998	Hsieh	
D409,078	S *	5/1999	Bolt	D8/354
5,962,799	A *	10/1999	Hsieh	G10D 13/11 84/422.1
6,002,076	A	12/1999	Karn	
D439,270	S	3/2001	Marcinkiewicz	
6,201,173	B1	3/2001	Black	
6,361,476	B1	3/2002	Eschenbach	
D457,418	S *	5/2002	Ferrer Beltrán	D8/363
6,417,433	B1	7/2002	Milla et al.	
6,541,686	B2	4/2003	O'Donnell	
6,571,662	B1 *	6/2003	Mendis	B60K 23/02 307/10.1
6,593,518	B2	7/2003	Hsieh	
6,647,826	B2	11/2003	Okajima	

6,684,734	B2	2/2004	Gatzen	
6,710,237	B2	3/2004	Adams	
D510,965	S	10/2005	Clark	
7,197,957	B2	4/2007	Gatzen	
D561,236	S	2/2008	Muir	
D571,640	S *	6/2008	Misch	D8/354
D574,210	S	8/2008	Packard	
D587,743	S *	3/2009	Kroon	D17/21
D588,269	S	3/2009	Wall	
7,921,748	B2	4/2011	Kim	
7,956,268	B1	6/2011	Liao	
8,026,434	B2	9/2011	Luo	
D682,346	S *	5/2013	Bogdan	D17/20
8,455,746	B2	6/2013	Johnston	
8,642,868	B1	2/2014	Johnston	
8,674,203	B2	3/2014	Simon	
8,686,265	B2	4/2014	Johnston	
D706,321	S *	6/2014	Oetlinger	D15/138
8,927,844	B2	1/2015	Kitching	
8,993,865	B2	3/2015	Liao	
D729,482	S	5/2015	Lentine	
9,075,427	B2	7/2015	Muraji	
9,236,038	B1	1/2016	Hirasawa	
9,472,174	B2	10/2016	Sikra	
9,785,183	B2	10/2017	Kajjala	
9,840,243	B2	12/2017	Saito	
9,928,815	B2	3/2018	Sikra	
9,981,638	B2	5/2018	Kawazu	
10,152,955	B2	12/2018	Sikra	
2002/0152872	A1	10/2002	O'Donnell	
2003/0154846	A1	8/2003	Adams	
2003/0213329	A1	11/2003	Gatzen	
2004/0025667	A1	2/2004	Hampton, Jr.	
2004/0144198	A1	7/2004	Gatzen	
2005/0082786	A1	4/2005	Clark	
2006/0243117	A1 *	11/2006	O'Donnell	G10D 13/065 84/422.3
2007/0137419	A1	6/2007	Chen	
2011/0271818	A1	11/2011	Simon	
2012/0144976	A1	6/2012	Johnston	
2012/0180617	A1 *	7/2012	Dorfman	G10D 13/065 84/422.3
2012/0198984	A1	8/2012	Johnston	
2014/0090543	A1	4/2014	Kitching	
2014/0109399	A1	4/2014	Merlin	
2014/0116192	A1	5/2014	Hemmege Venkatappa	
2015/0096429	A1 *	4/2015	Lee	G10D 13/11 84/422.1
2015/0187343	A1 *	7/2015	Mori	G10D 13/02 84/746
2017/0358282	A1 *	12/2017	Cannon	G10D 13/065
2018/0122342	A1	5/2018	Guyre	
2018/0204551	A1 *	7/2018	Sikra	G10D 13/065
2019/0221195	A1 *	7/2019	Renzi	G10D 13/11

FOREIGN PATENT DOCUMENTS

CN	100367346	C	2/2008
CN	205428469	U	8/2016
CN	201630460652		8/2016
DE	3819379	A1	12/1989
EP	1112565	A1	7/2001
GB	2234045	A	1/1991
JP	S58-129528	U	9/1983
JP	H08-137465	A	5/1996
JP	2005173274	A	6/2005
JP	2010243799	A	10/2010
WO	9704440	A1	2/1997
WO	2002086858	A1	10/2002
WO	2018/085341	A1	5/2018

OTHER PUBLICATIONS

Amazon, PDP by DW Double Pedal Concept, posted Aug. 15, 2015, [online], [visited Oct. 23, 2020]. Internet, <URL: <https://www.amazon.co.uk/PDP-DW-Double-Concept-PDDPCXFD/dp/B013PSEMYI/ref>> (Year: 2015).*

(56)

References Cited

OTHER PUBLICATIONS

Youtube, Trick Drums Dominator Bass Drum Pedal, posted Apr. 12, 2013, [online], [visited Oct. 23, 2020]. Internet, <URL: <https://www.youtube.com/watch?v=ODKgDB1aAQ8>> (Year: 2013).*

Web article entitled "Drum Workshop: MDD Pedals" by John Nyman, published Apr. 24, 2015, downloaded by the undersigned representative for Applicant on Oct. 10, 2016 from <http://www.drummagazine.com/gear/post/drum-workshop-mdd-pedals/>.

Applicant brings to the attention of the Examiner the existence of related copending Design U.S. Appl. No. 29/602,088, filed Apr. 28, 2017 by the same inventor/Applicant as in the present case.

Applicant brings to the attention of the Examiner the existence of related copending PCT International Application No. PCT/US17/59463, which was filed Nov. 1, 2017 by the same inventor/Applicant as in the present case, and which was published on May 11, 2018 as WO 2018/085341 A1.

Applicant brings to the attention of the Examiner the existence of related copending U.S. Appl. No. 15/530,680, filed Nov. 1, 2017 by the same inventor/Applicant as in the present case, and which was published on May 3, 2018 as US 2018 0122342 A1.

Reverb, All About that Bass Drum Pedal, posted on Mar. 4, 2015, [online], [site visited on Jan. 23, 2018]. Available from Internet, <URL: <https://reverb.com/news/all-about-that-bass-drum-pedal>> (Year: 2015).

Applicant brings to the attention of the Examiner the existence of related copending U.S. Appl. No. 16/401,049, filed May 1, 2019 by same inventor/Applicant as in present case, which is: a CIP of the present case; a CIP of related copending U.S. Appl. No. 15/530,680, filed Nov. 1, 2017 by same inventor/Applicant as in present case and published on May 3, 2018 as US 2018 0122342 A1; and a bypass CIP of PCT Intl. App. No. PCT/US17/59463 filed Nov. 1, 2017 by same inventor/Applicant as in present case and published on May 11, 2018 as WO 2018/085341 A1.

* cited by examiner

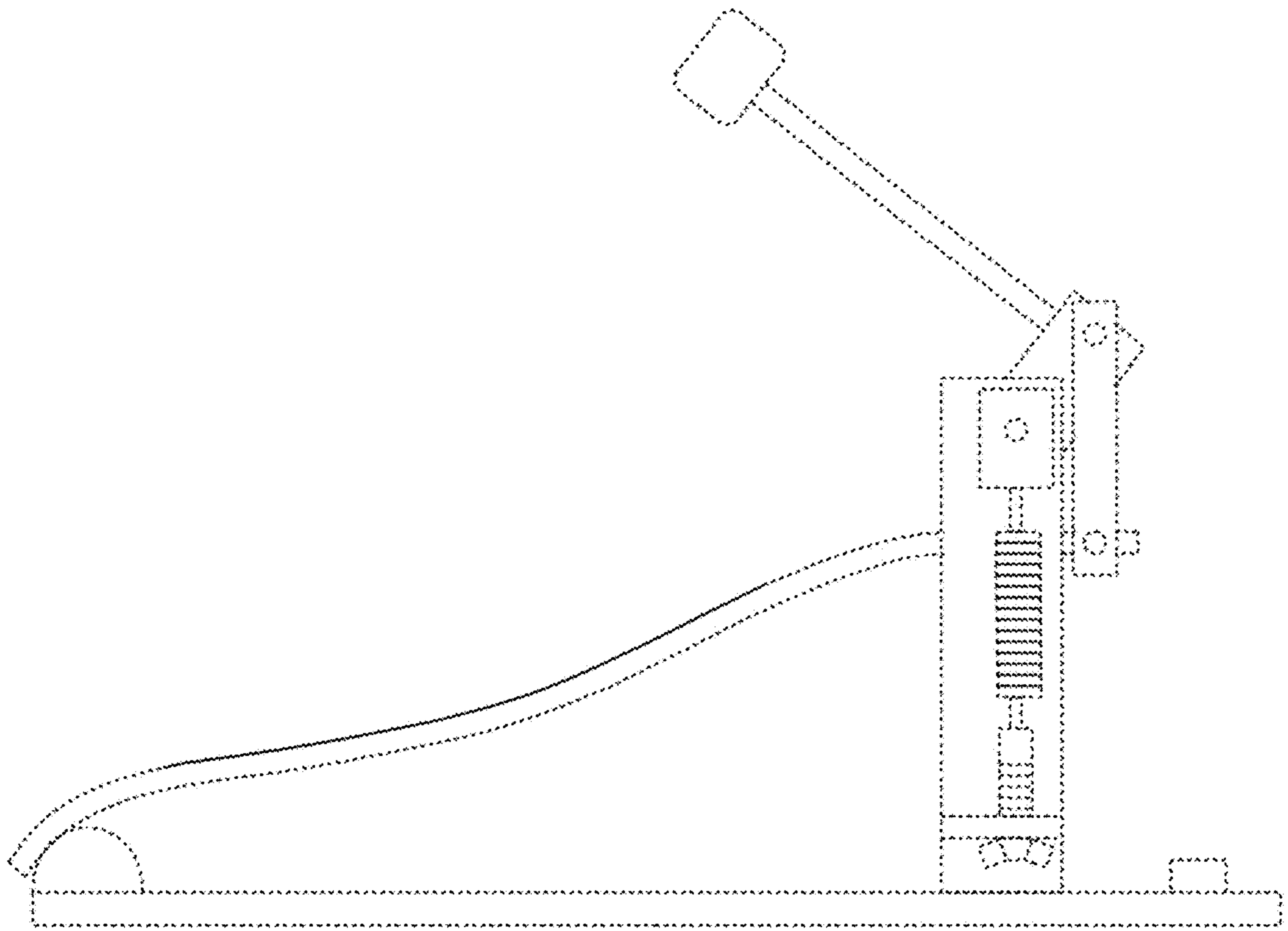


FIG. 1

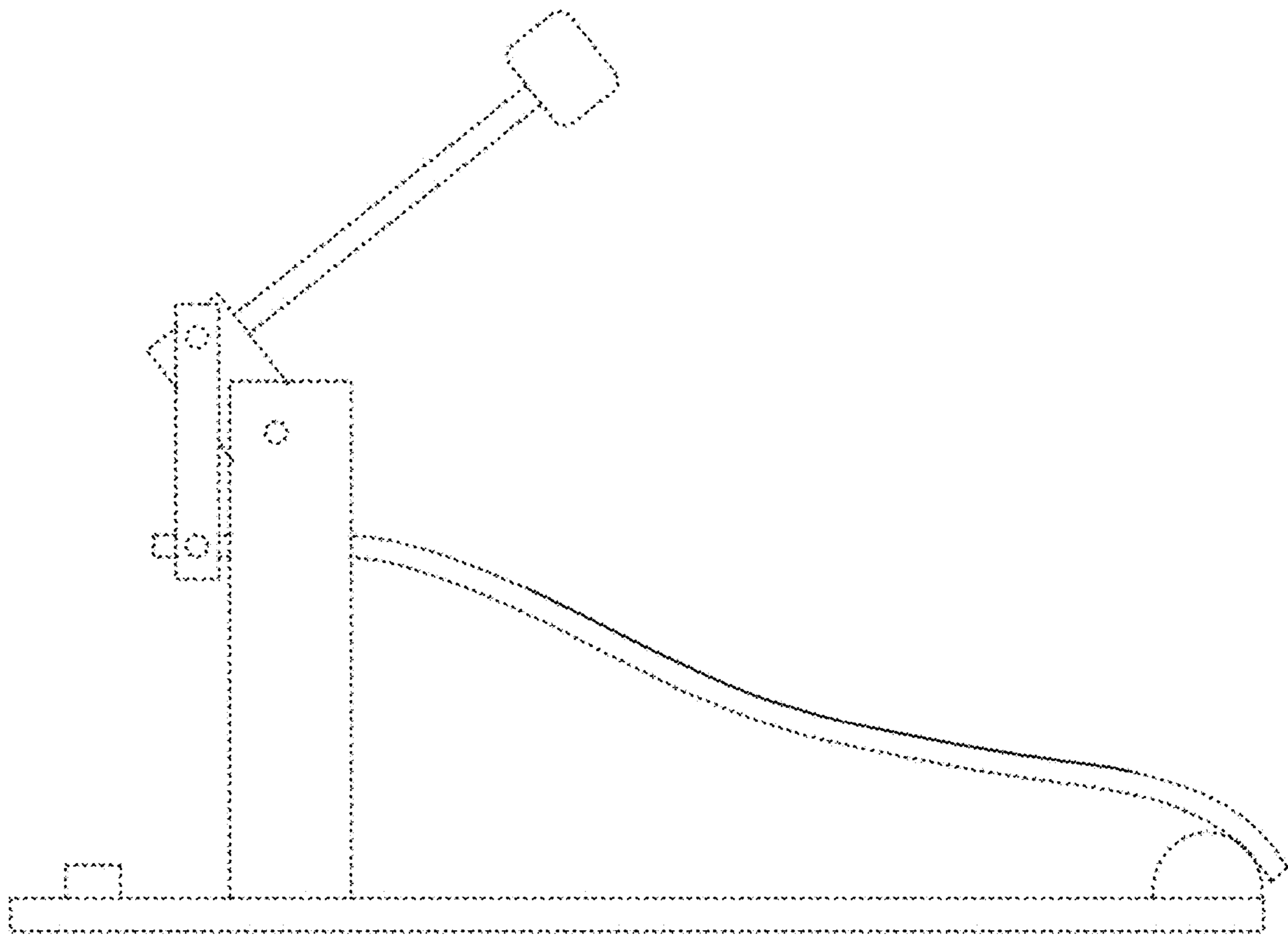


FIG. 2

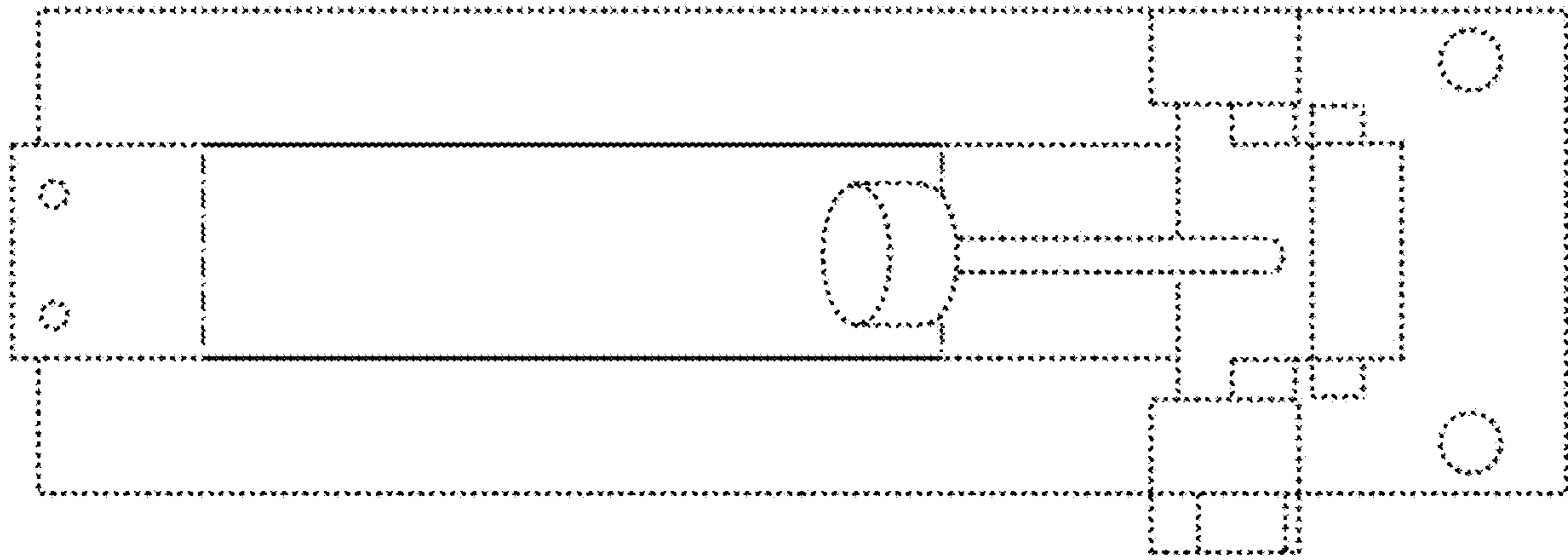


FIG. 3



FIG. 4

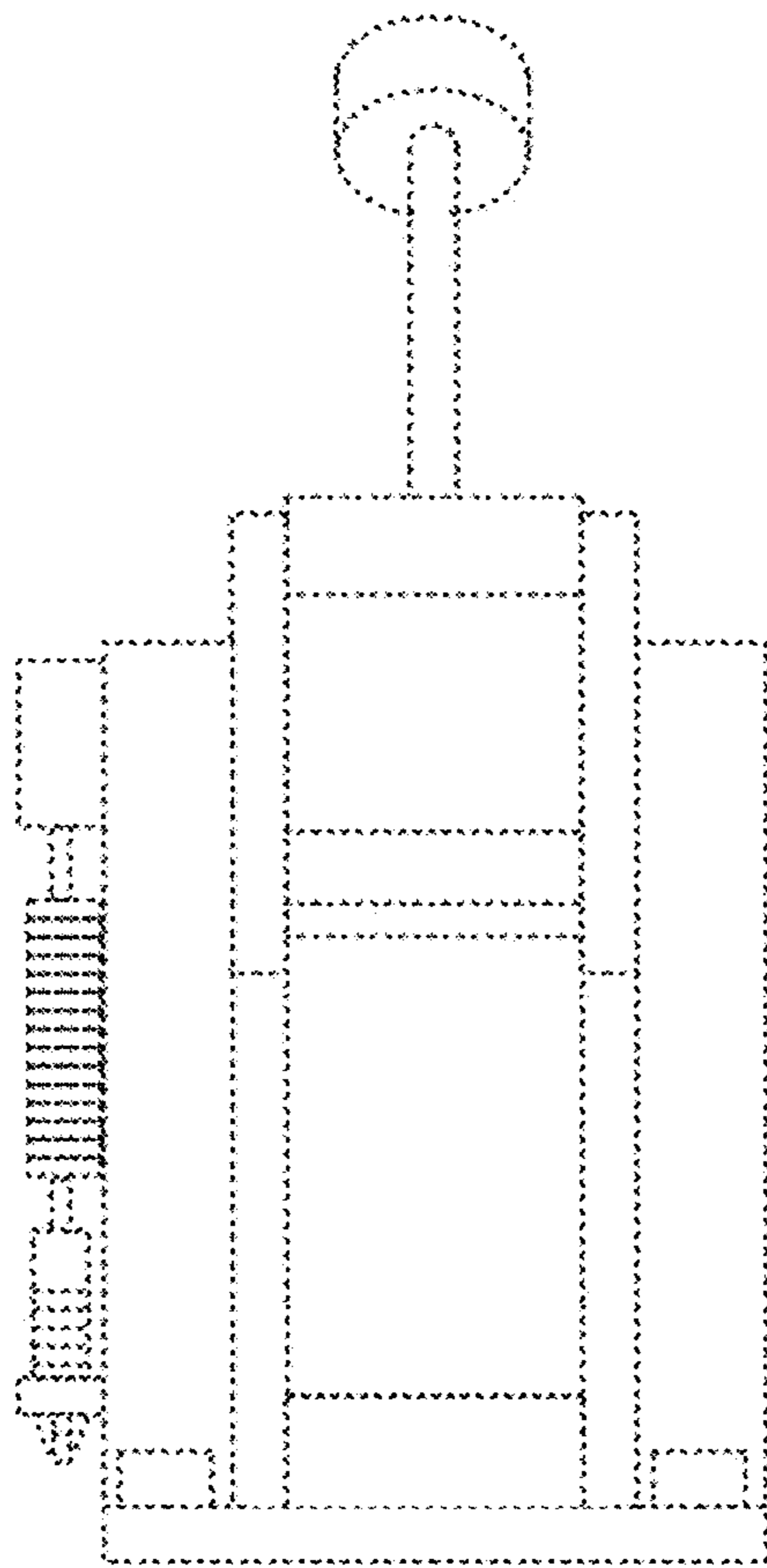


FIG. 5

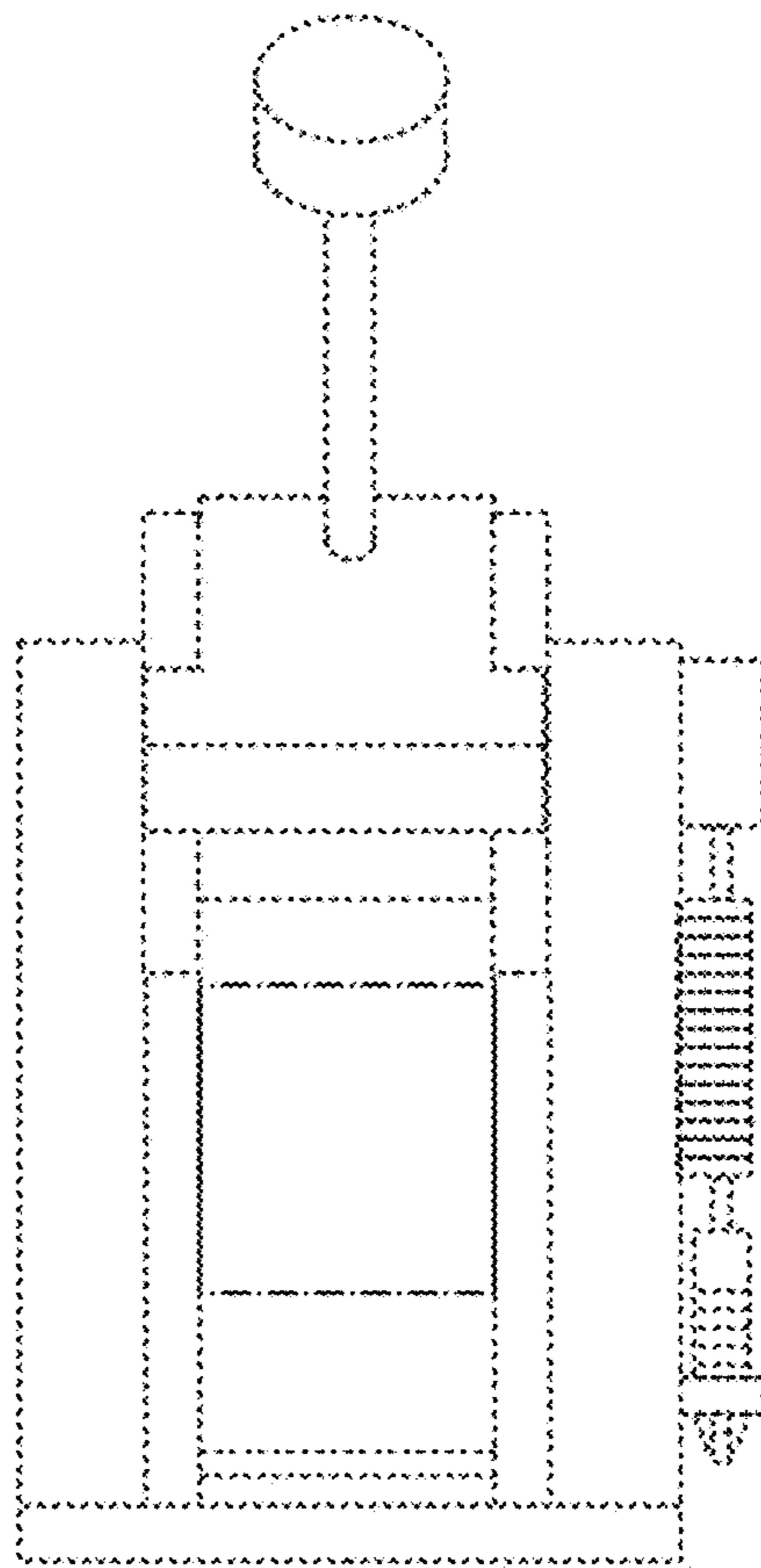


FIG. 6

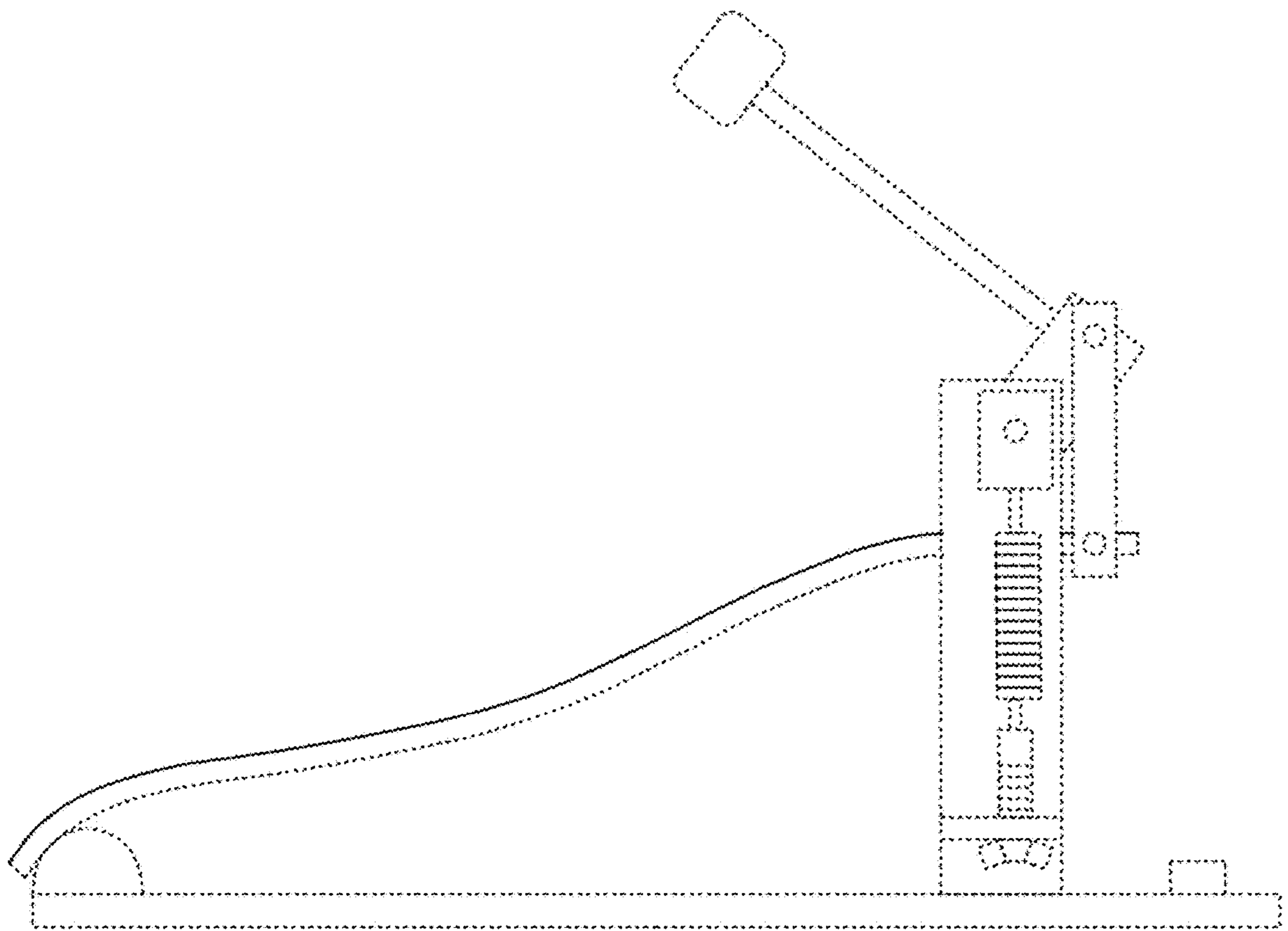


FIG. 7

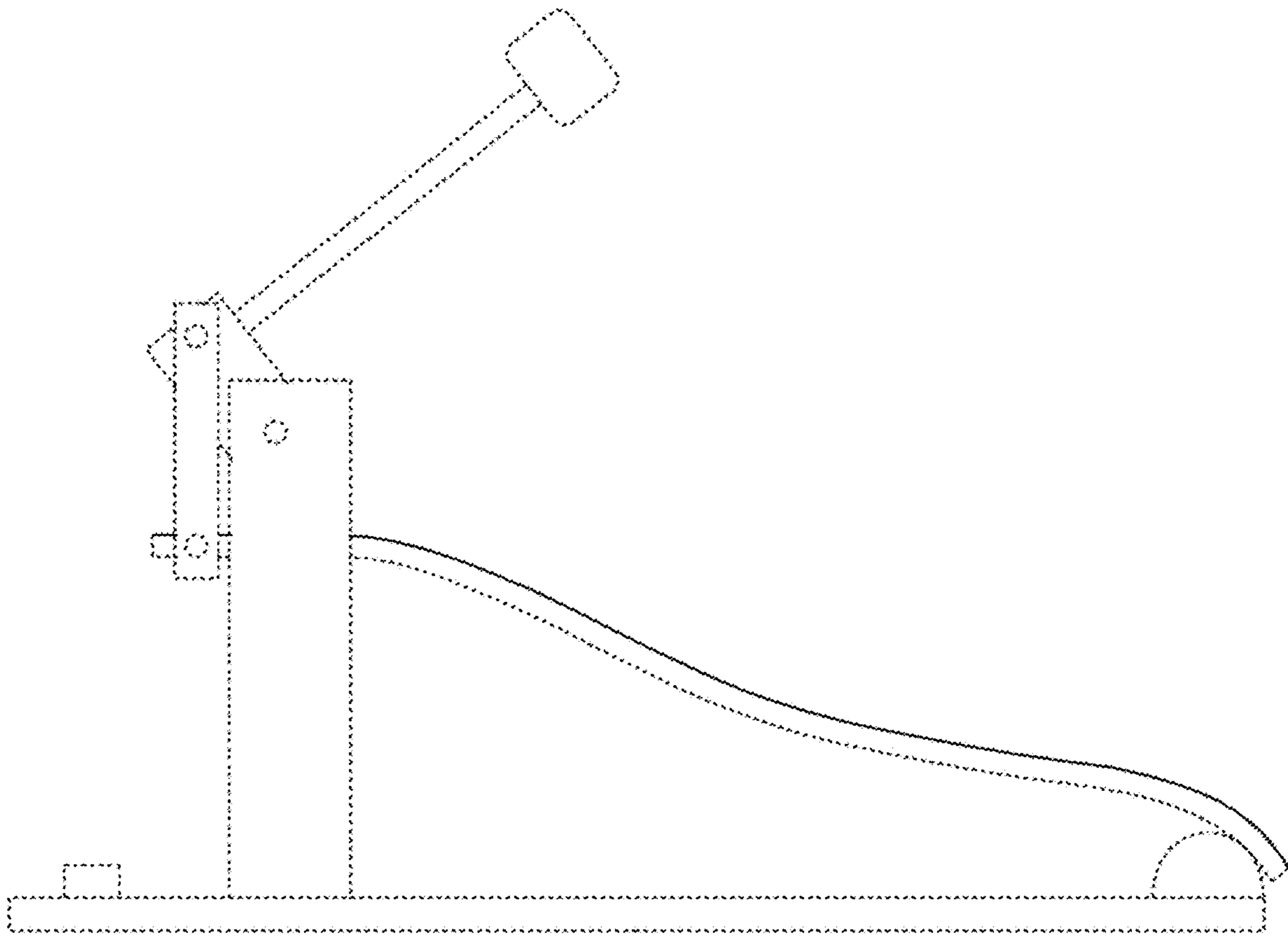


FIG. 8

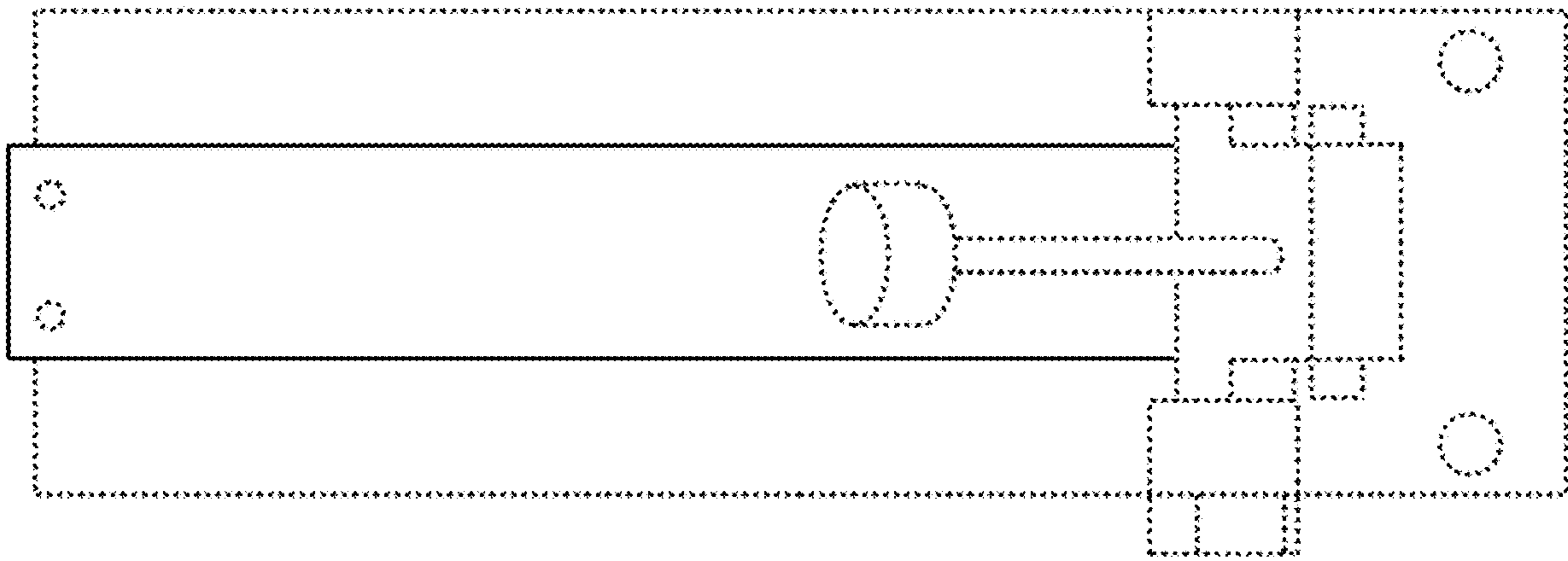


FIG. 9

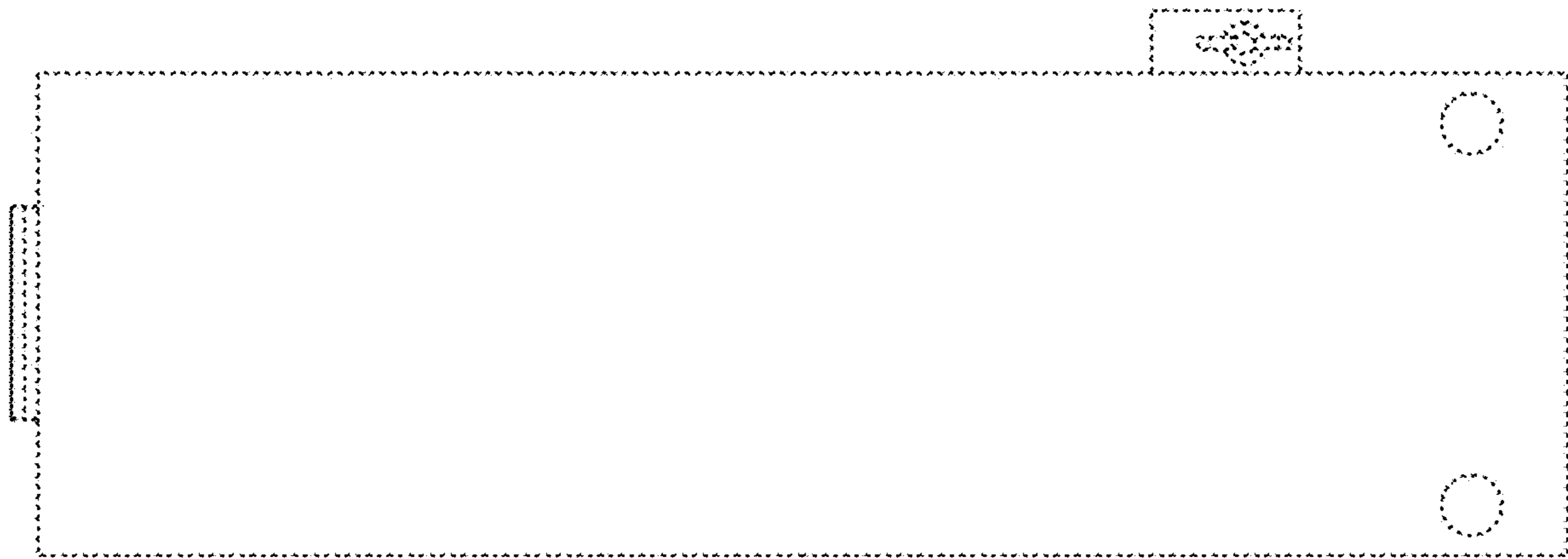


FIG. 10

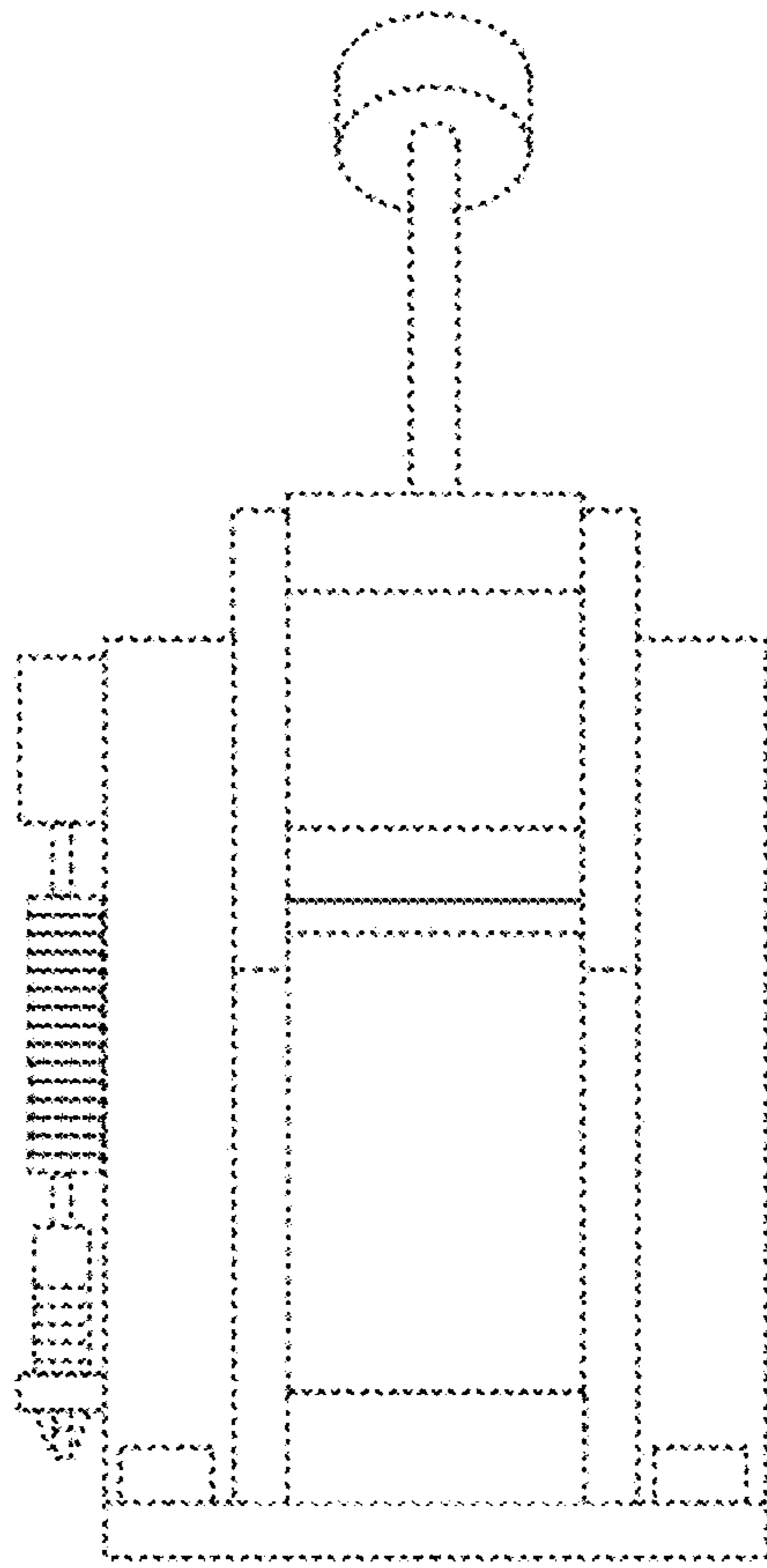


FIG. 11

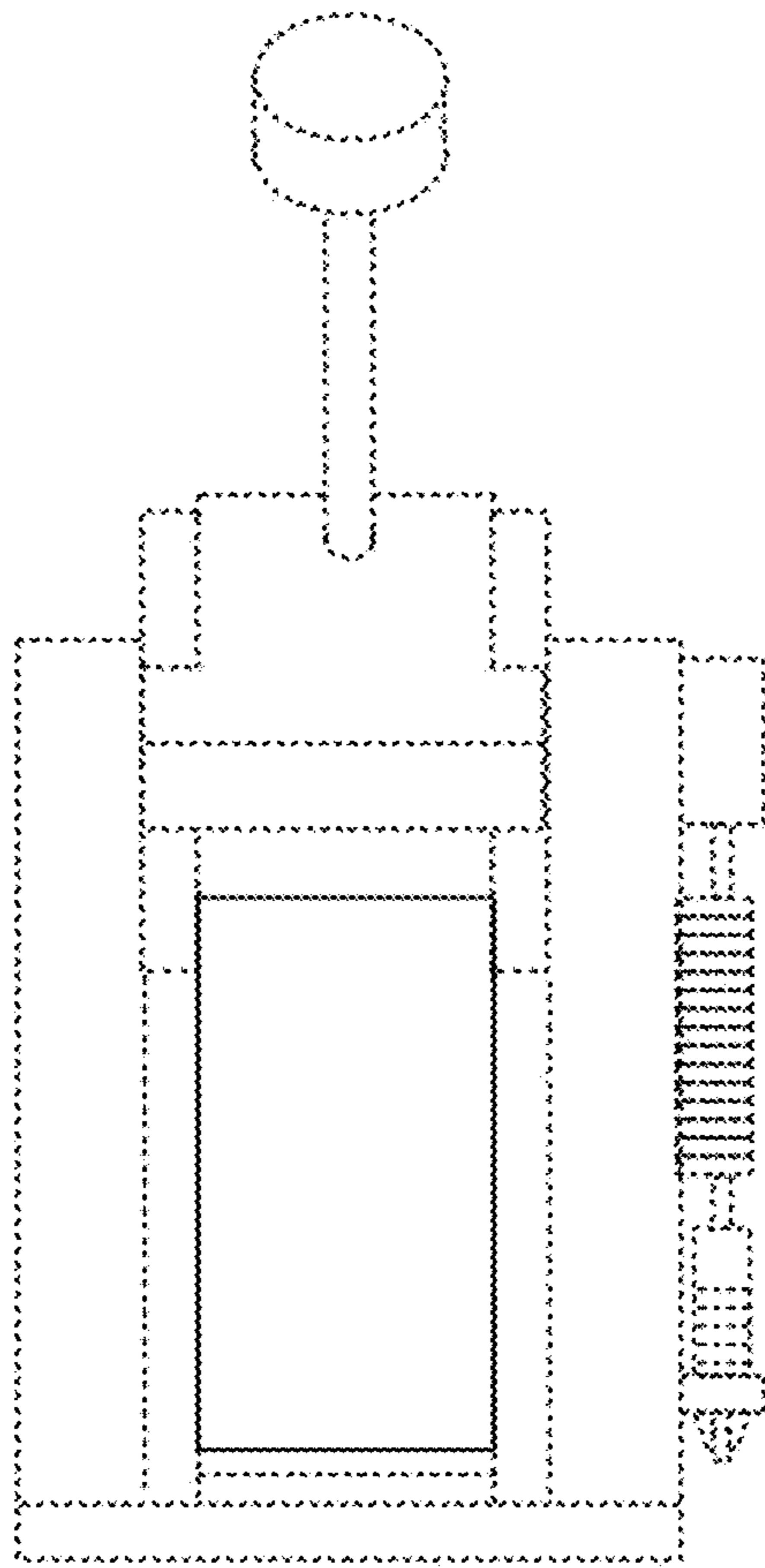


FIG. 12