



US00D933737S

(12) **United States Design Patent** (10) **Patent No.:** **US D933,737 S**
Keevy et al. (45) **Date of Patent:** **** Oct. 19, 2021**

(54) **GOGGLES**
(71) Applicant: **LEATT CORPORATION**, Santa Clarita, CA (US)
(72) Inventors: **Pieter André Keevy**, Durbanville (ZA); **Dominic Hamel**, Durbanville (ZA)
(73) Assignee: **LEATT CORPORATION**, Santa Clarita, CA (US)
(**) Term: **15 Years**
(21) Appl. No.: **29/680,992**
(22) Filed: **Feb. 21, 2019**
(51) **LOC (13) Cl.** **16-06**
(52) **U.S. Cl.**
USPC **D16/312**; D16/313
(58) **Field of Classification Search**
USPC D16/100, 101, 300, 305-329, 330, D16/332-342; D29/106, 107, 110; D24/110.2
CPC .. A61F 9/02; A61F 9/026; A61F 9/027; A61F 9/028
See application file for complete search history.

D727,398 S * 4/2015 Blanchard D16/312
D727,400 S * 4/2015 Blanchard D16/314
D736,303 S * 8/2015 Yu D16/309
D765,758 S * 9/2016 Li D16/312
D765,759 S * 9/2016 Li D16/312
D774,588 S * 12/2016 Li D16/312
D800,825 S * 10/2017 Frosi D16/313
D828,866 S * 9/2018 Yoo D16/313
10,357,400 B2 * 7/2019 Ginther A61F 9/02
D862,570 S * 10/2019 Frosi D16/313
D873,900 S * 1/2020 Hedayat D16/312
D880,574 S * 4/2020 Liang D16/312
D899,501 S * 10/2020 Liang D16/312
2015/0202087 A1 * 7/2015 Chen A61F 9/026
2/431
2015/0320600 A1 * 11/2015 Blanchard A61F 9/026
2/431
2017/0100287 A1 * 4/2017 Calilung A61F 9/026
2021/0186760 A1 * 6/2021 Horvath A61F 9/025

* cited by examiner

Primary Examiner — Sharon S Oum
(74) *Attorney, Agent, or Firm* — Stephen J. Weyer, Esq.; Stites & Harbison, PLLC

(57) **CLAIM**

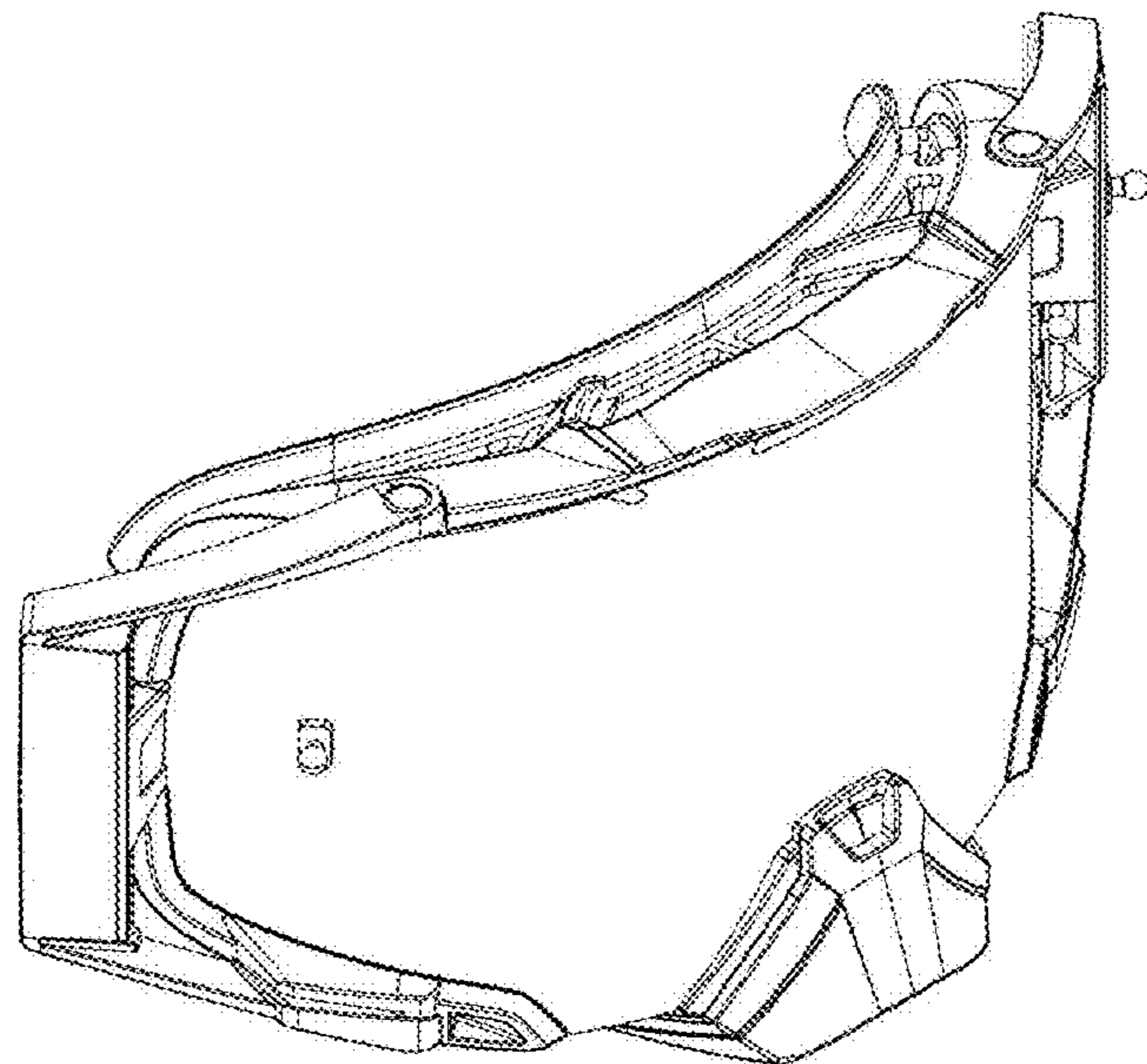
The ornamental design for the goggles, as shown and described.

DESCRIPTION

FIG. 1 is a top, front and left side isometric view of the goggles of our design.
FIG. 2 is a top, front and right side isometric view thereof.
FIG. 3 is a front elevation view thereof.
FIG. 4 is a top view thereof.
FIG. 5 is a rear view thereof.
FIG. 6 is a left side view thereof; and,
FIG. 7 is a right side thereof.
The broken lines in the drawings illustrate portions of the goggles that form no part of the claimed design.

1 Claim, 7 Drawing Sheets

(56) **References Cited**
U.S. PATENT DOCUMENTS
D538,834 S * 3/2007 Mangum D16/312
D544,900 S * 6/2007 Li D16/312
D598,040 S * 8/2009 Sheldon D16/312
D616,915 S * 6/2010 Silveria D16/312
D620,969 S * 8/2010 Cyr D16/312
D649,178 S * 11/2011 Moritz D16/312
8,083,344 B2 * 12/2011 Blanshay G02C 9/00
2/436
D657,812 S * 4/2012 Li D16/312
D663,763 S * 7/2012 Inui D16/312
D669,113 S * 10/2012 Sandor D16/309
D694,806 S * 12/2013 Mage D16/312



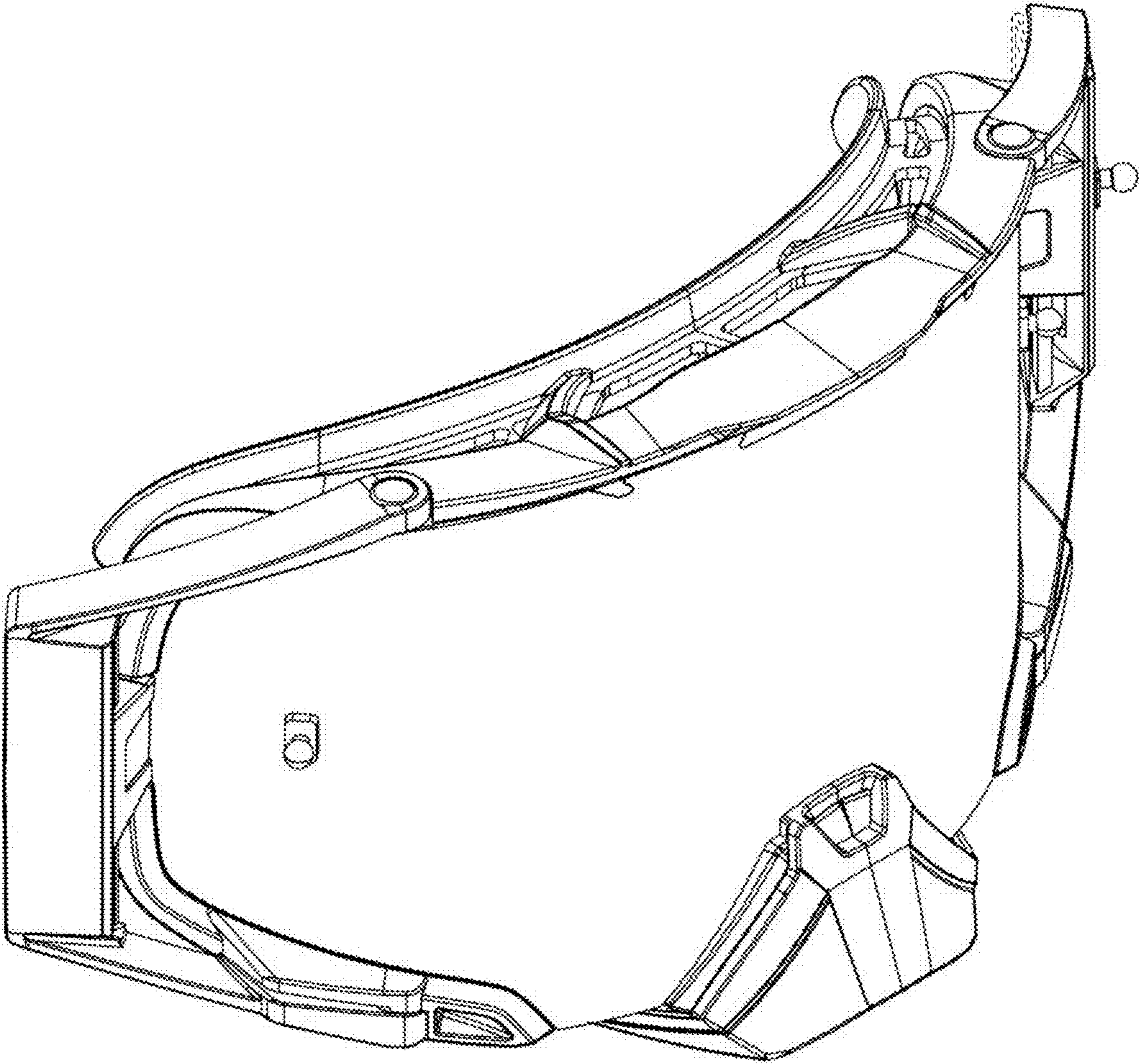


FIG. 1

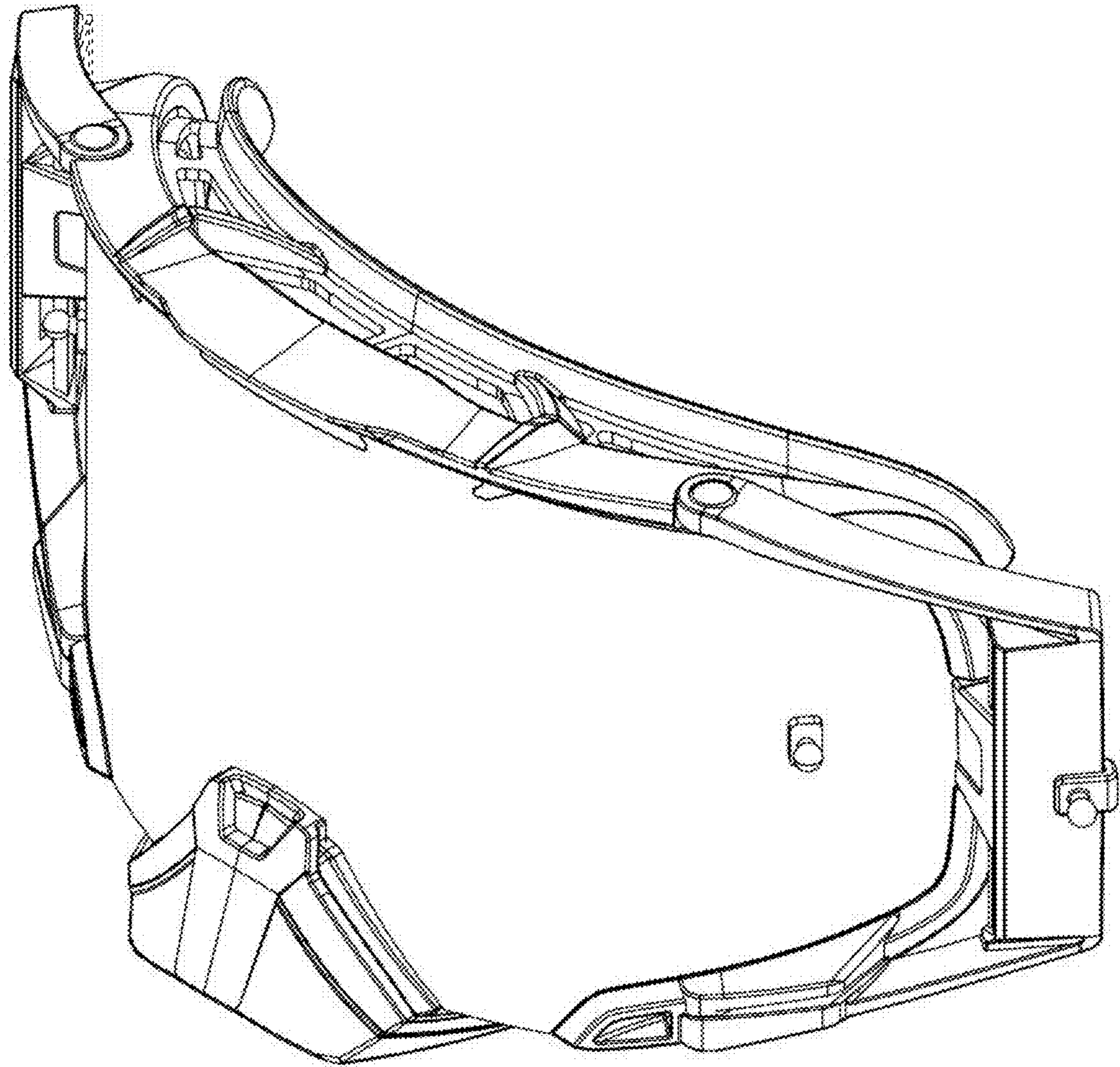


FIG. 2

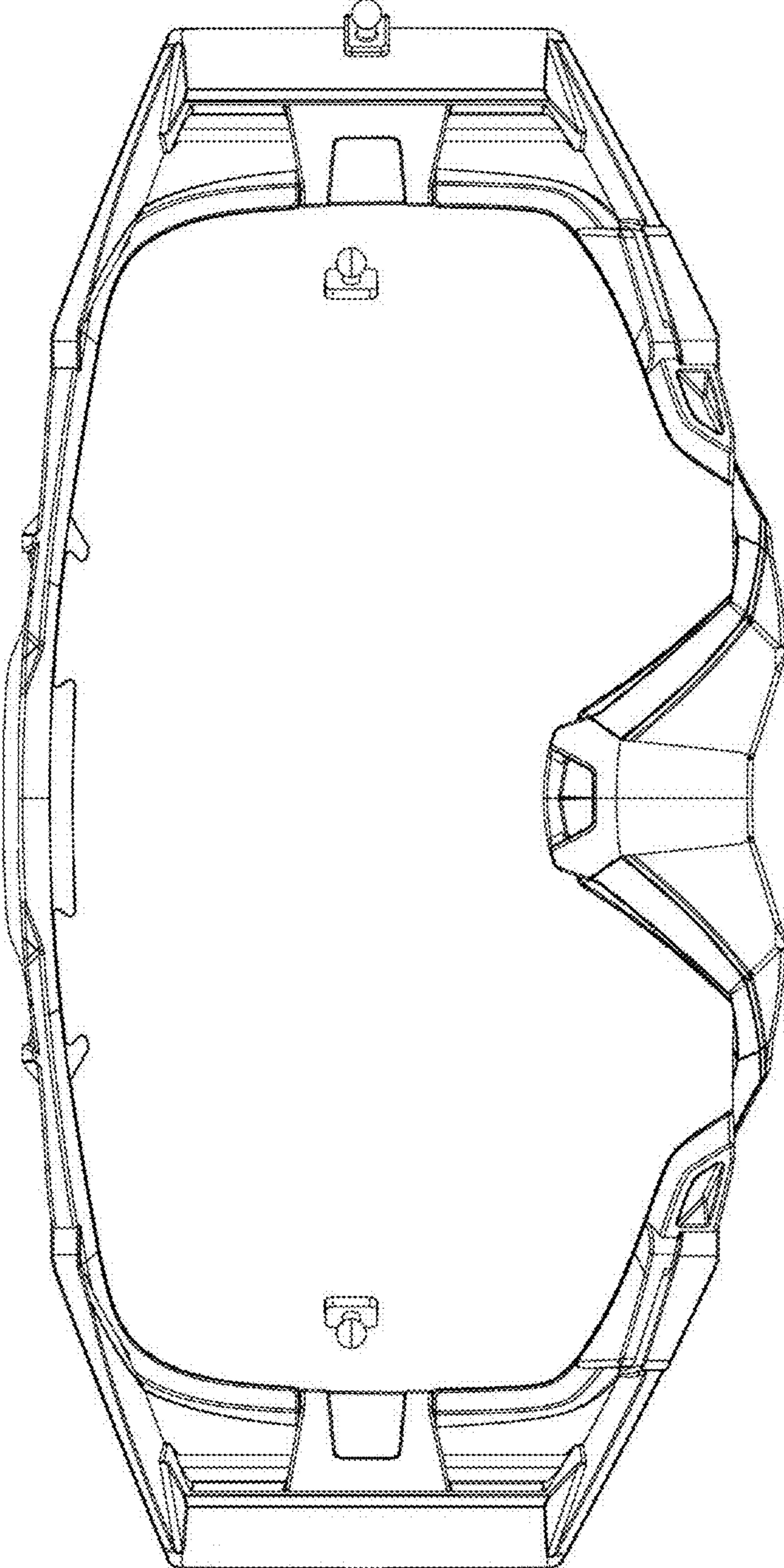


FIG. 3

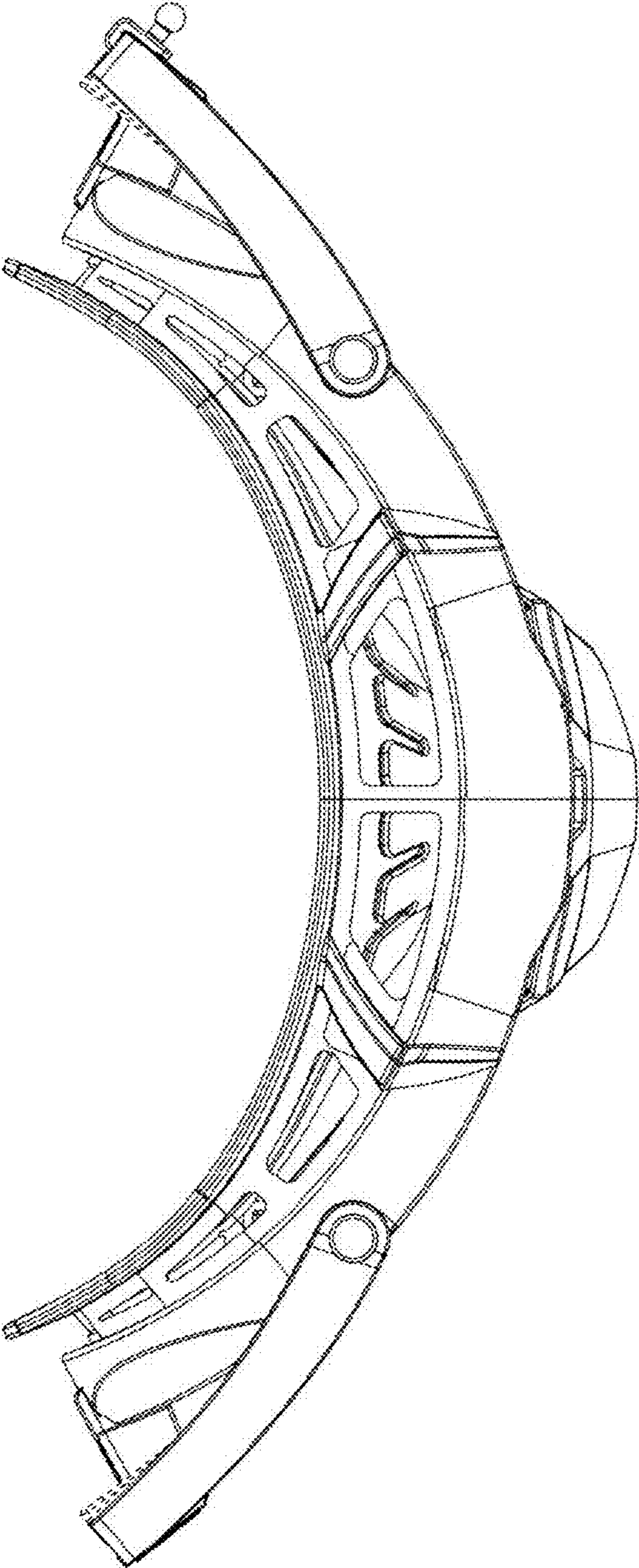


FIG. 4

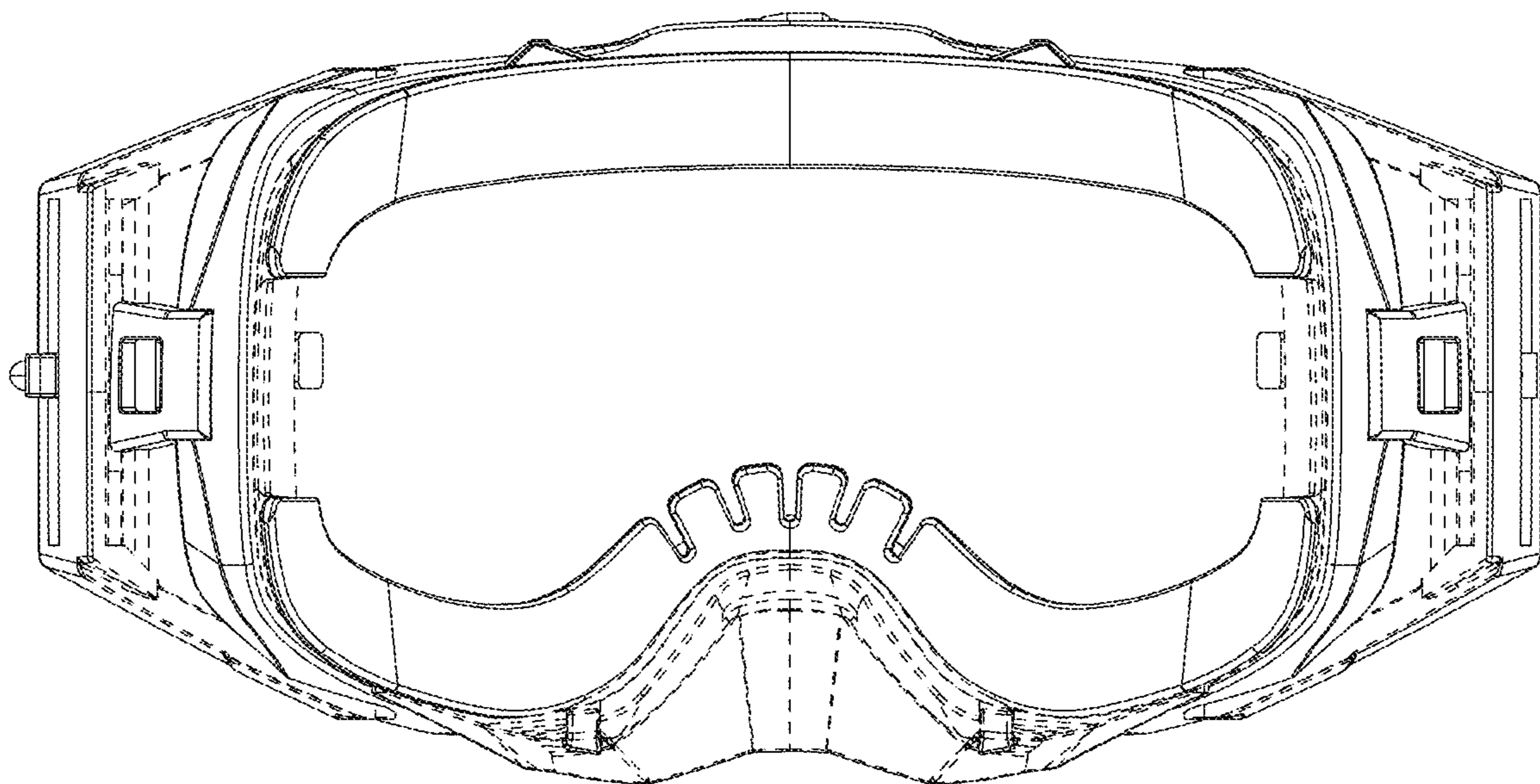


FIG. 5

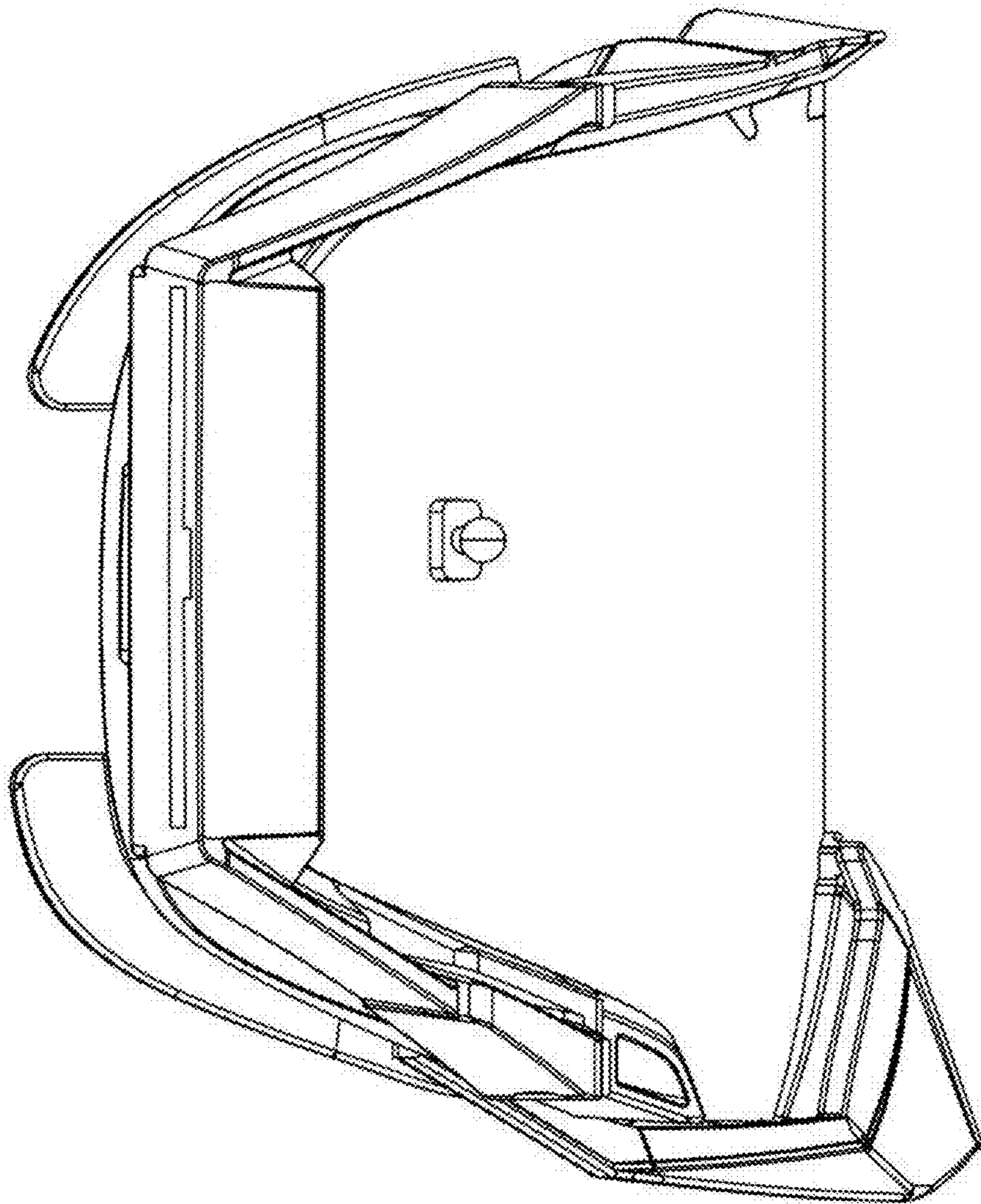


FIG. 6

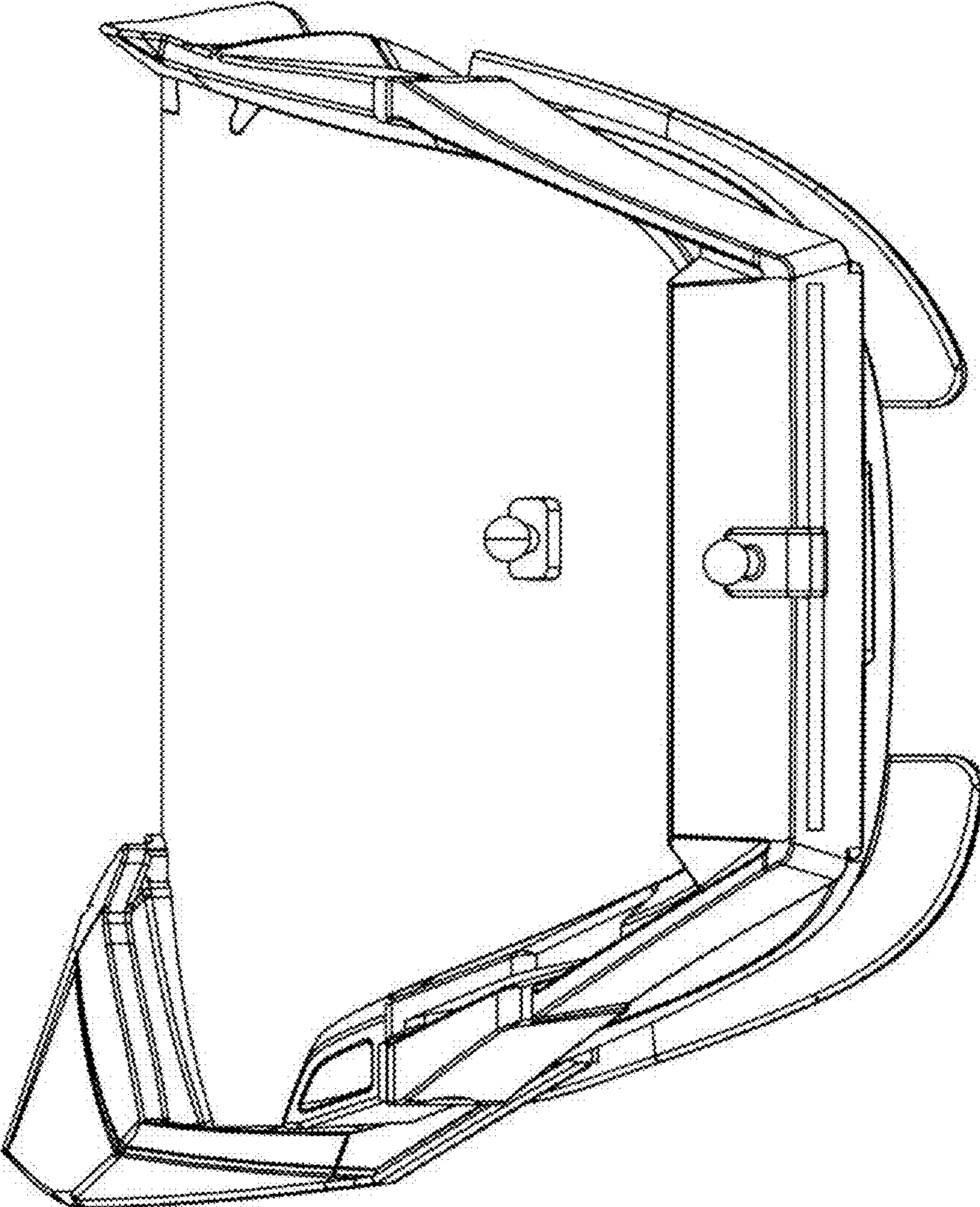


FIG. 7