



US00D933735S

(12) **United States Design Patent**
Yeh et al.

(10) **Patent No.:** **US D933,735 S**
(45) **Date of Patent:** **** Oct. 19, 2021**

(54) **PROJECTOR**

(71) Applicant: **AVer Information Inc.**, New Taipei (TW)

(72) Inventors: **Hong-Chi Yeh**, New Taipei (TW);
Chih-Chung Su, New Taipei (TW)

(73) Assignee: **AVer Information Inc.**, New Taipei (TW)

(**) Term: **15 Years**

(21) Appl. No.: **29/696,501**

(22) Filed: **Jun. 28, 2019**

(51) **LOC (13) Cl.** **16-02**

(52) **U.S. Cl.**
USPC **D16/235**

(58) **Field of Classification Search**
USPC D16/235, 221, 225, 229-231, 219, 208;
D21/514
CPC G03B 21/00; G03B 21/001; G03B 21/003;
G03B 21/12; G03B 21/14; G03B 21/145;
G03B 17/56; H04N 5/2251; H04N 5/2252
See application file for complete search history.

(56) **References Cited**

U.S. PATENT DOCUMENTS

- 4,170,409 A * 10/1979 Sobotta G03B 23/00
353/119
- D486,172 S * 2/2004 Senda D16/219
- D498,782 S * 11/2004 Ooshima D16/229
- D548,263 S * 8/2007 Nakanishi D16/221

- D564,563 S * 3/2008 Kamiya D16/219
- 7,521,279 B2 * 4/2009 Hamilton G03B 21/145
257/E33.058
- D602,972 S * 10/2009 Fletcher D16/225
- 7,618,148 B2 * 11/2009 Meng G03B 21/145
353/119
- D652,856 S * 1/2012 Ogawa D16/230
- D667,864 S * 9/2012 Yamada D16/235
- D750,153 S * 2/2016 Ito D16/229
- D768,227 S * 10/2016 Lee D16/230
- D794,108 S * 8/2017 Ham D16/219
- D854,073 S * 7/2019 Gan D16/230

* cited by examiner

Primary Examiner — Wan Laymon

(74) *Attorney, Agent, or Firm* — CKC & Partners Co., LLC

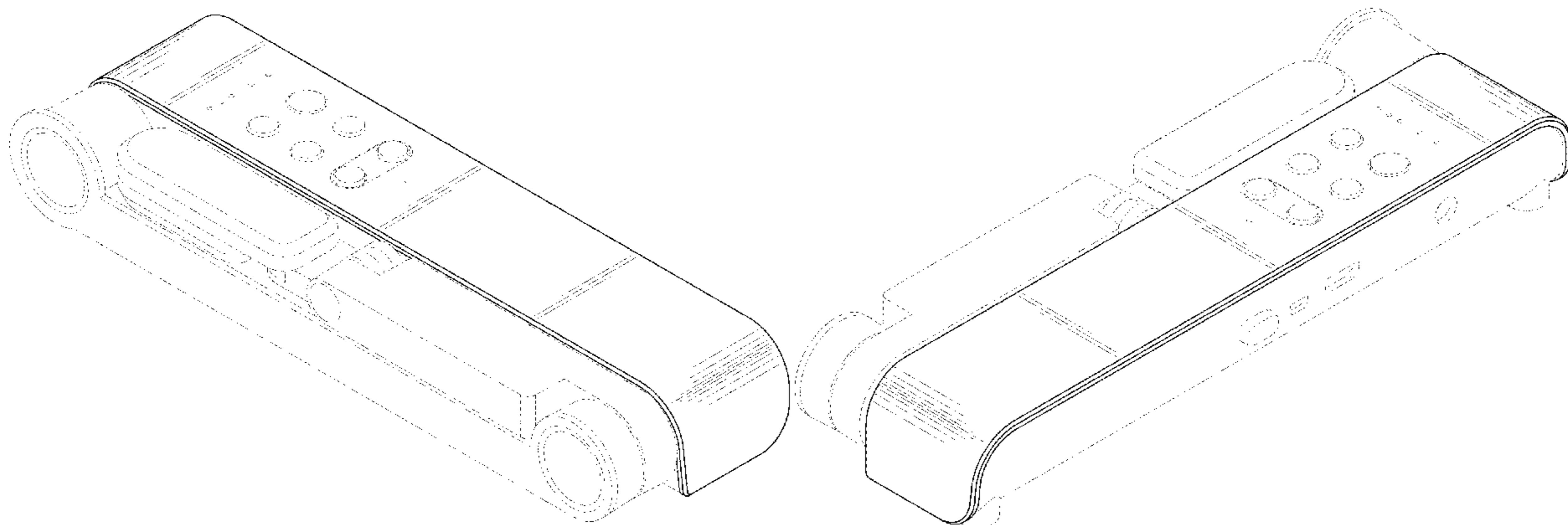
(57) **CLAIM**

The ornamental design for a projector, as shown and described.

DESCRIPTION

FIG. 1 is a perspective view of a projector showing our new design;
 FIG. 2 is a front elevational view thereof;
 FIG. 3 is a rear elevational view thereof;
 FIG. 4 is a left side elevational view thereof;
 FIG. 5 is a right side elevational view thereof;
 FIG. 6 is a top plan view thereof;
 FIG. 7 is a bottom plan view thereof; and,
 FIG. 8 is another perspective view thereof.
 The broken lines in the drawings illustrate portions of the projector which form no part of the claimed design.

1 Claim, 8 Drawing Sheets



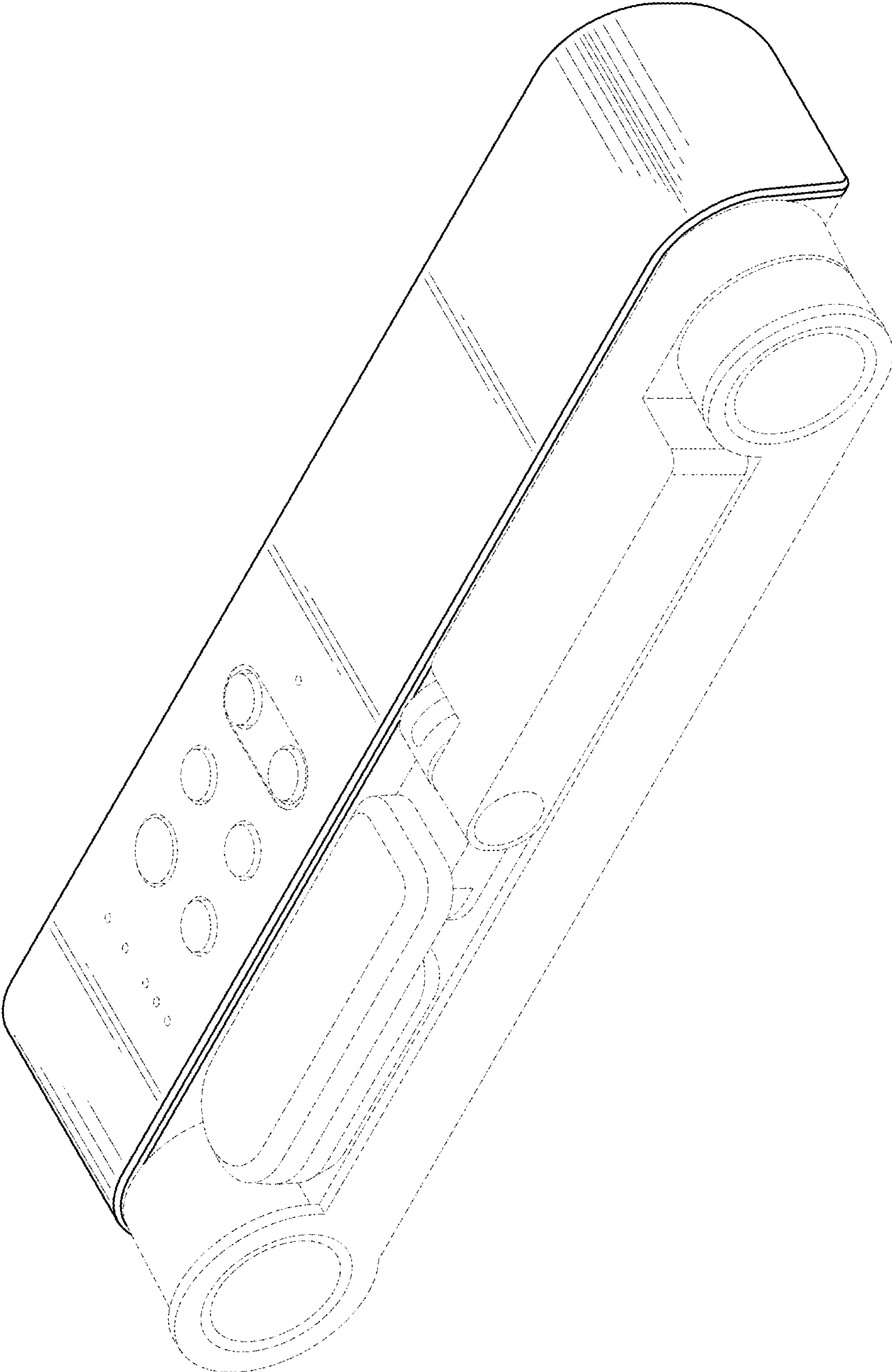


Fig. 1

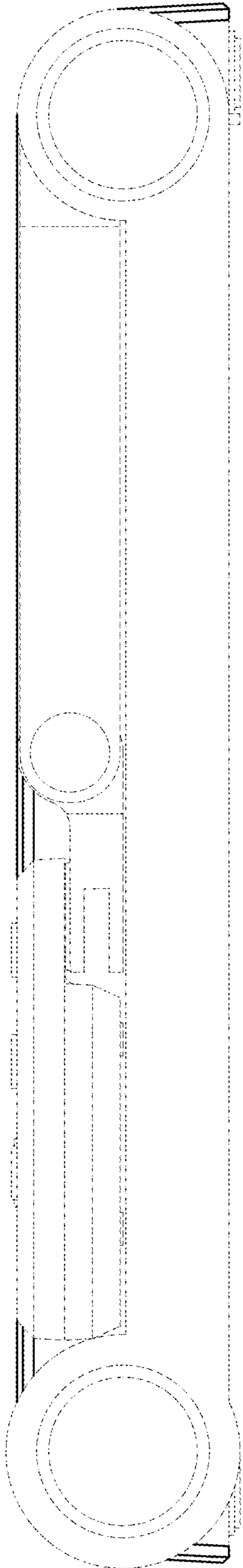


Fig. 2

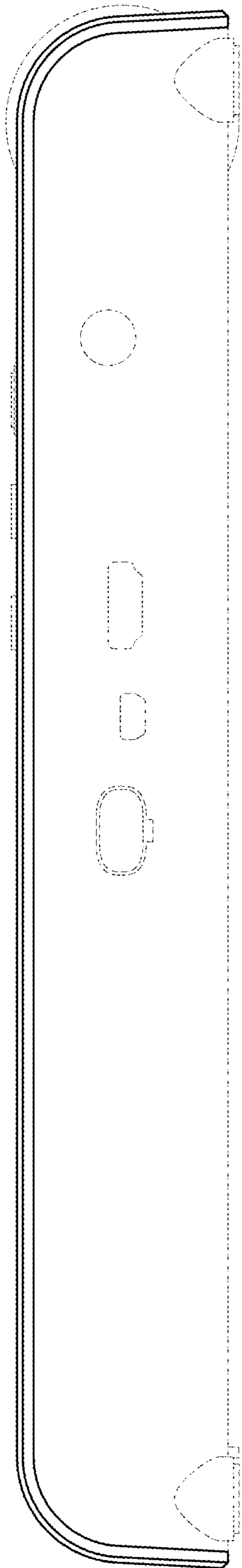


Fig. 3

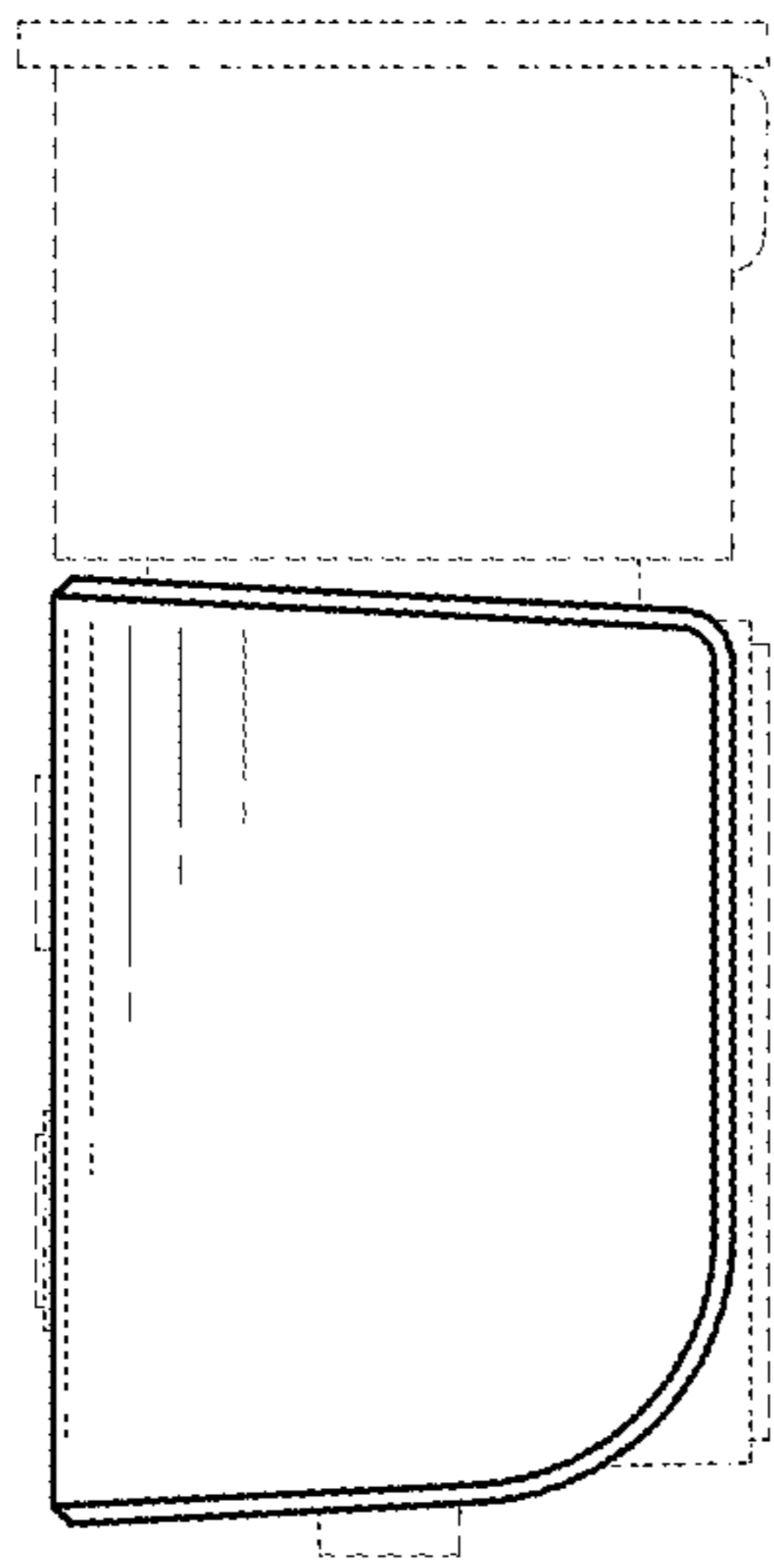


Fig. 4

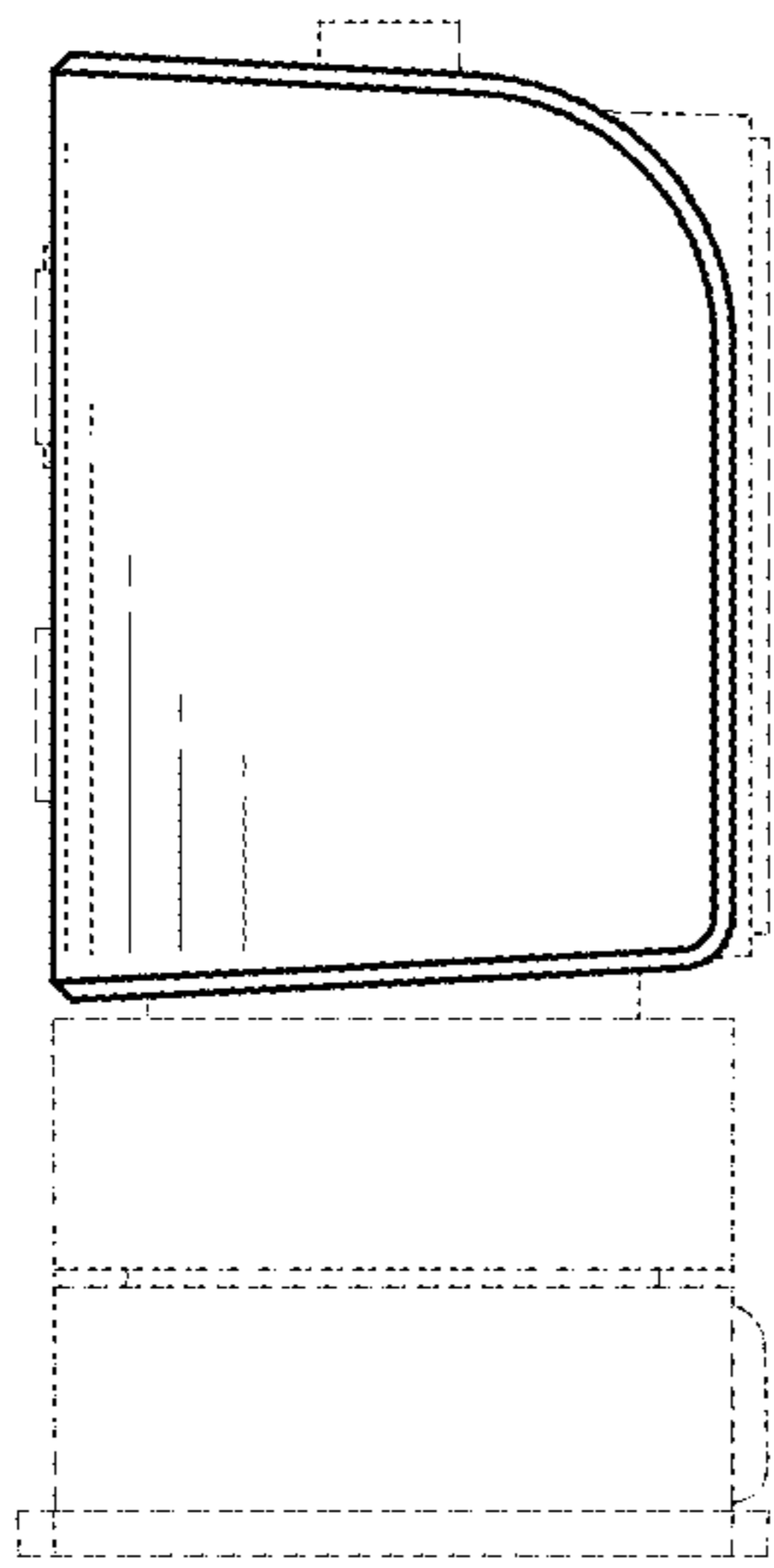


Fig. 5

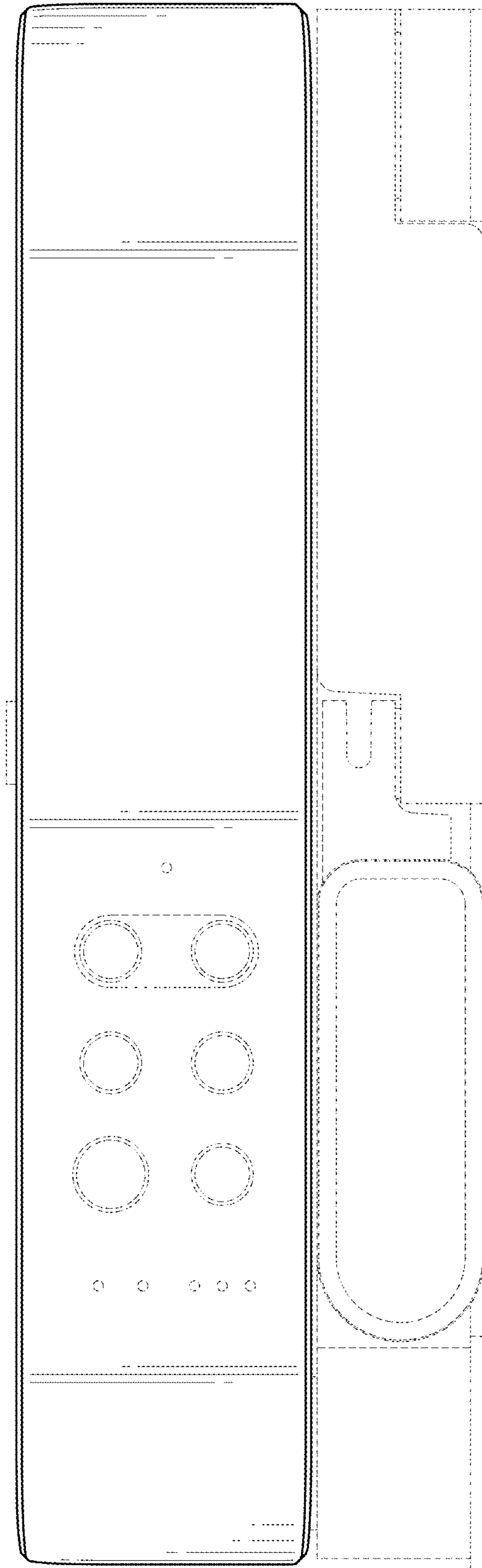


Fig. 6

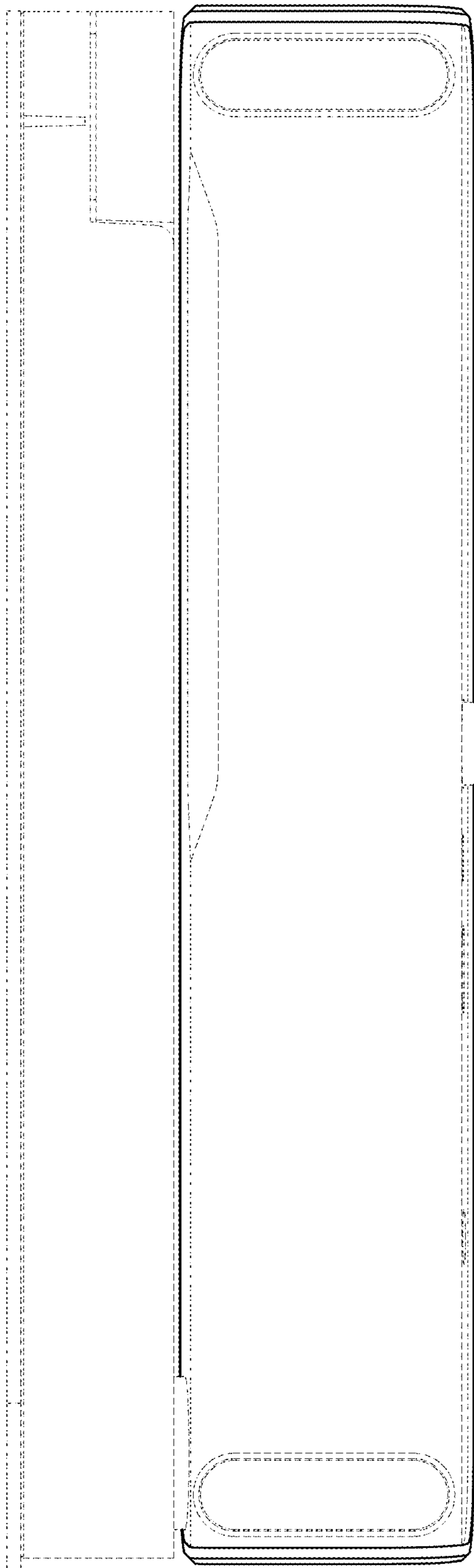


Fig. 7

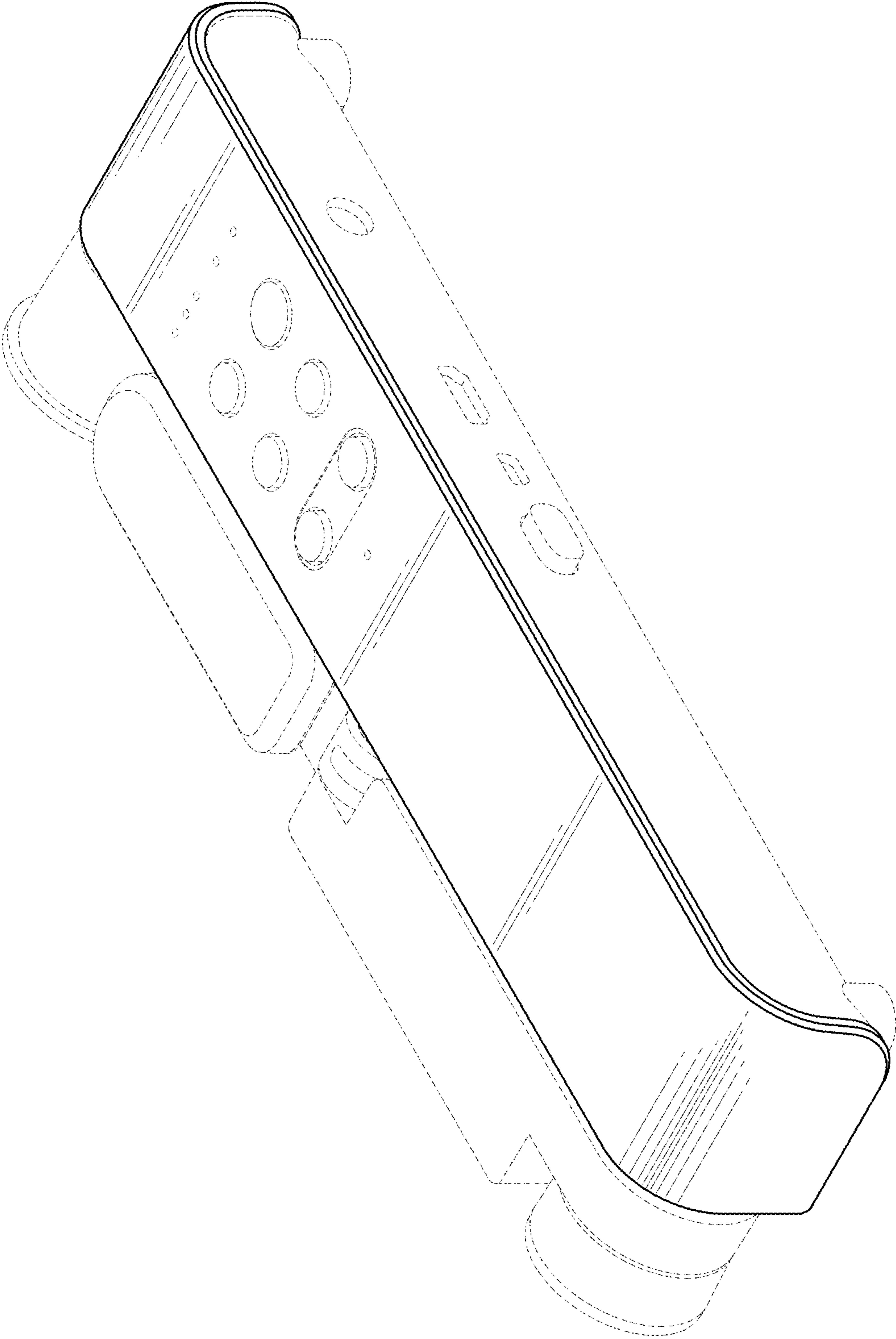


Fig. 8