



US00D933733S

(12) **United States Design Patent**
Yu

(10) **Patent No.:** **US D933,733 S**

(45) **Date of Patent:** **** Oct. 19, 2021**

(54) **HUNTING CAMERA**

(71) Applicant: **Shenzhen Longzhiyuan Technology Co., Ltd.**, Shenzhen (CN)

(72) Inventor: **Mengchu Yu**, Shenzhen (CN)

(73) Assignee: **SHENZHEN LONGZHUYUAN TECHNOLOGY CO., LTD.**, Shenzhen (CN)

(**) Term: **15 Years**

(21) Appl. No.: **29/653,005**

(22) Filed: **Jun. 12, 2018**

(30) **Foreign Application Priority Data**

May 14, 2018 (CN) 2018 3 0219621

(51) **LOC (13) Cl.** **16-01**

(52) **U.S. Cl.**
USPC **D16/203**

(58) **Field of Classification Search**

USPC D16/200–220, 131, 237, 242, 239, 250,
D16/235, 130, 134, 136, 238;
D14/138 C, 240, 248, 203.1, 203.3, 203.7,
D14/218, 207; D10/104.1, 50, 65, 74,
D10/70, 118.2

CPC . G02B 7/02; G02B 7/021; G02B 7/04; G02B
7/14; G02B 7/003; G03B 17/00; G03B
17/02; G03B 17/56; G03B 17/04; G03B
17/14; G03B 17/08; G03B 15/03; G03B
15/06; H04N 5/2251; H04N 5/2252;
H04N 5/2253; H04N 5/2254; H04N 7/00;
H04N 2101/00; F16M 13/00

See application file for complete search history.

(56) **References Cited**

U.S. PATENT DOCUMENTS

D477,345 S * 7/2003 Hildreth D16/203
D535,204 S * 1/2007 Bender D10/106.8

D586,249 S * 2/2009 Elsemore D10/104.1
D616,009 S * 5/2010 Schnell D16/218
D630,236 S * 1/2011 Lian D16/203
D638,047 S * 5/2011 Lian D16/203
D653,693 S * 2/2012 Jannard D16/243
D655,736 S * 3/2012 Barley D16/203
D691,647 S * 10/2013 Ye D16/203
D721,116 S * 1/2015 Schnell D16/218
D783,590 S * 4/2017 Wu D14/252
D820,338 S * 6/2018 Wu D16/203
D828,432 S * 9/2018 Luo D16/237
D838,306 S * 1/2019 Yu D16/218
D838,763 S * 1/2019 Yu D16/218
D865,023 S * 10/2019 Chen D16/203

(Continued)

FOREIGN PATENT DOCUMENTS

CN 303377988 * 9/2015
CN 304201171 * 7/2017

Primary Examiner — T Chase Nelson

Assistant Examiner — Mary Claire Ramirez

(74) *Attorney, Agent, or Firm* — Dragon Sun Law Firm,
PC; Jinggao Li, Esq.

(57) **CLAIM**

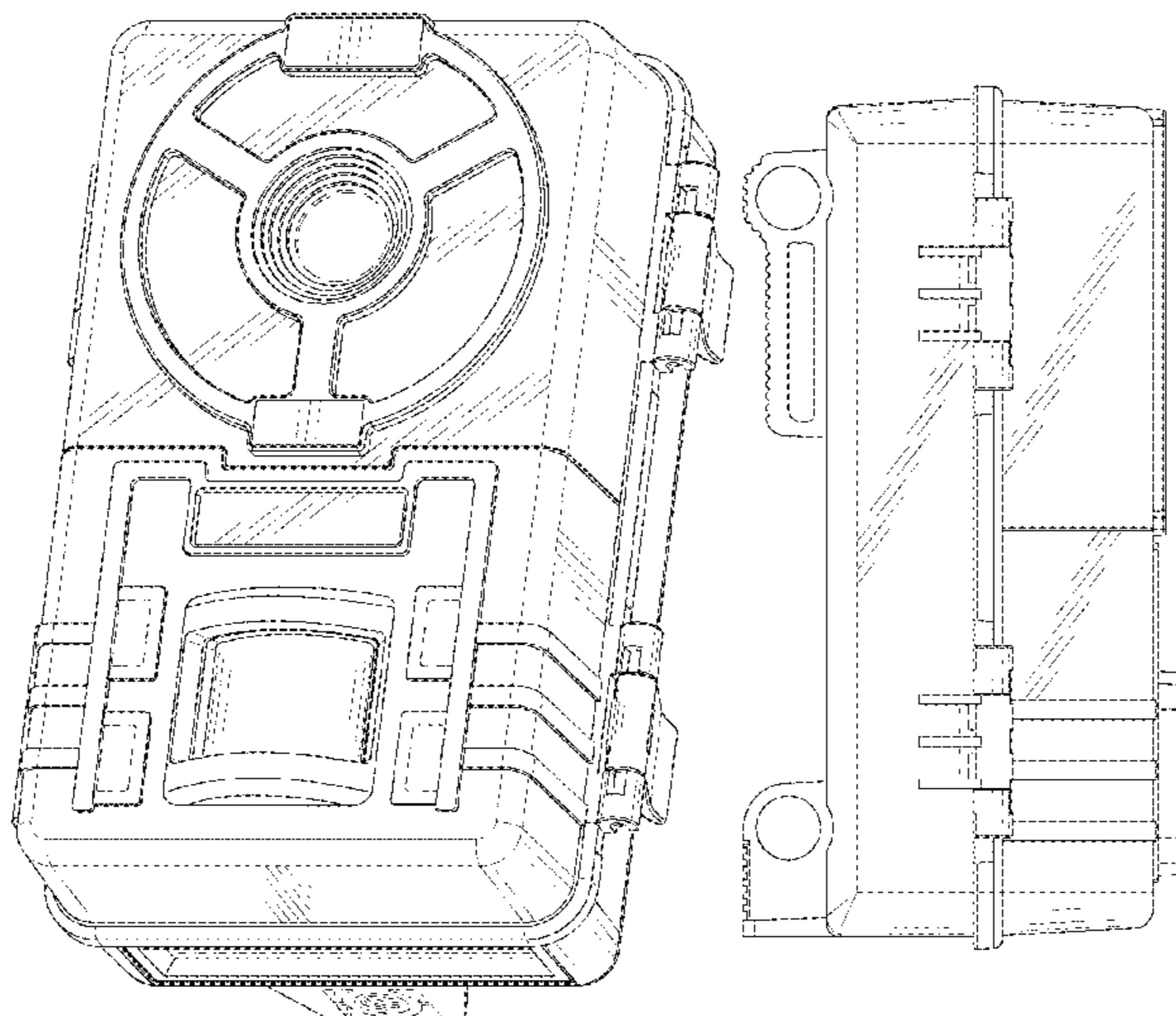
The ornamental design for a hunting camera, as shown and described.

DESCRIPTION

FIG. 1 is a front perspective view of a hunting camera showing my new design;
FIG. 2 is a front elevational view thereof;
FIG. 3 is a rear elevational view thereof;
FIG. 4 is a top plan view thereof;
FIG. 5 is a bottom plan view thereof;
FIG. 6 is a right elevational view thereof; and,
FIG. 7 is a left elevational view thereof.

The broken lines in the drawings depict portions of the hunting camera that form no part of the claimed design.

1 Claim, 7 Drawing Sheets



(56)

References Cited

U.S. PATENT DOCUMENTS

| | | | | | | |
|--------------|----|---|---------|----------|-------|-----------------------|
| D874,537 | S | * | 2/2020 | Ye | | D16/203 |
| D874,538 | S | * | 2/2020 | Qi | | D16/203 |
| D874,543 | S | * | 2/2020 | Yu | | D16/218 |
| D874,546 | S | * | 2/2020 | Yu | | D16/218 |
| D874,547 | S | * | 2/2020 | Yu | | D16/218 |
| D875,162 | S | * | 2/2020 | Yu | | D16/218 |
| D879,856 | S | * | 3/2020 | Qi | | D16/203 |
| 2011/0122248 | A1 | * | 5/2011 | Goodman | | F16M 11/14 348/143 |
| 2011/0292201 | A1 | * | 12/2011 | Westphal | | G03B 17/08 348/81 |
| 2015/0323857 | A1 | * | 11/2015 | Glockzin | | G03B 17/02 396/153 |

* cited by examiner

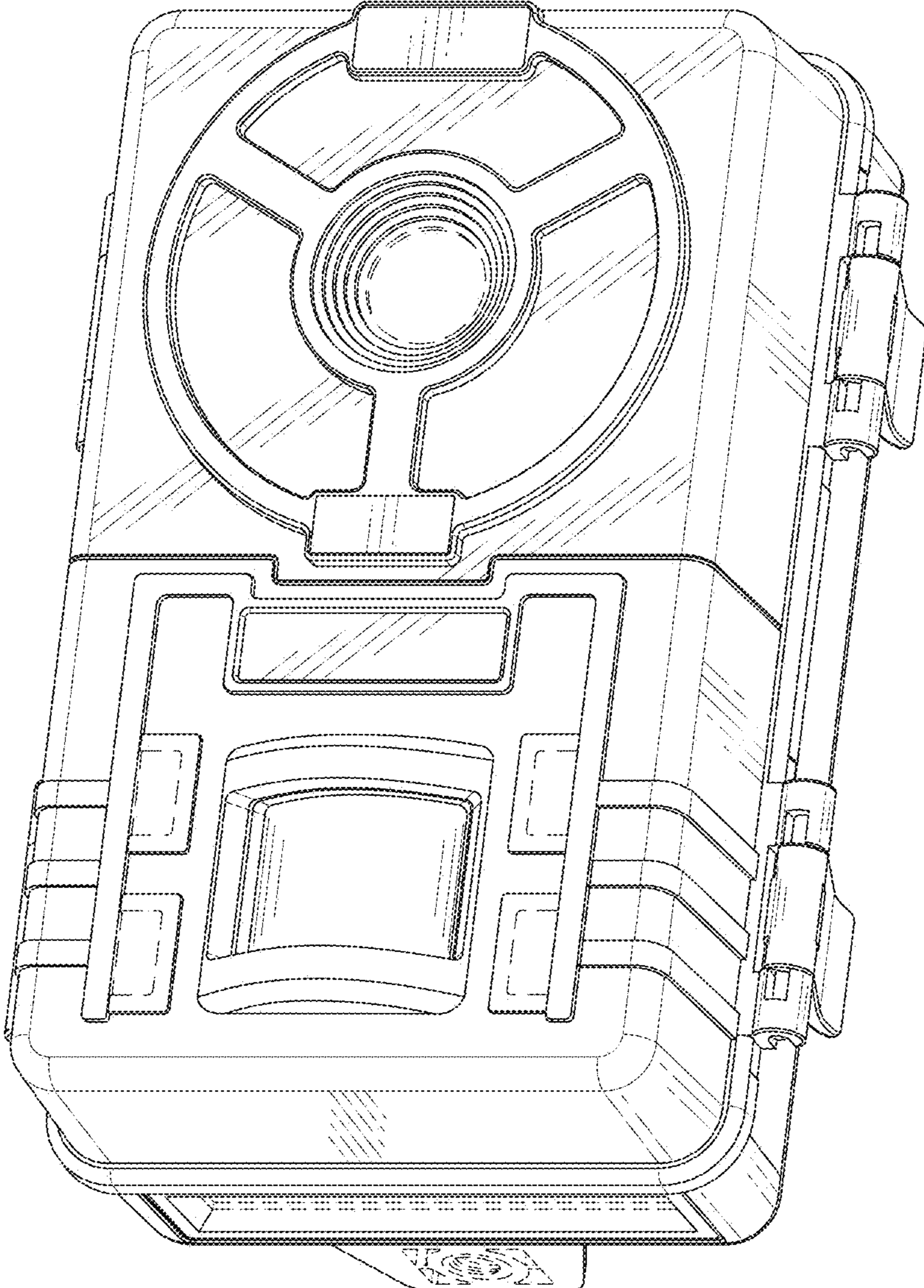


FIG. 1

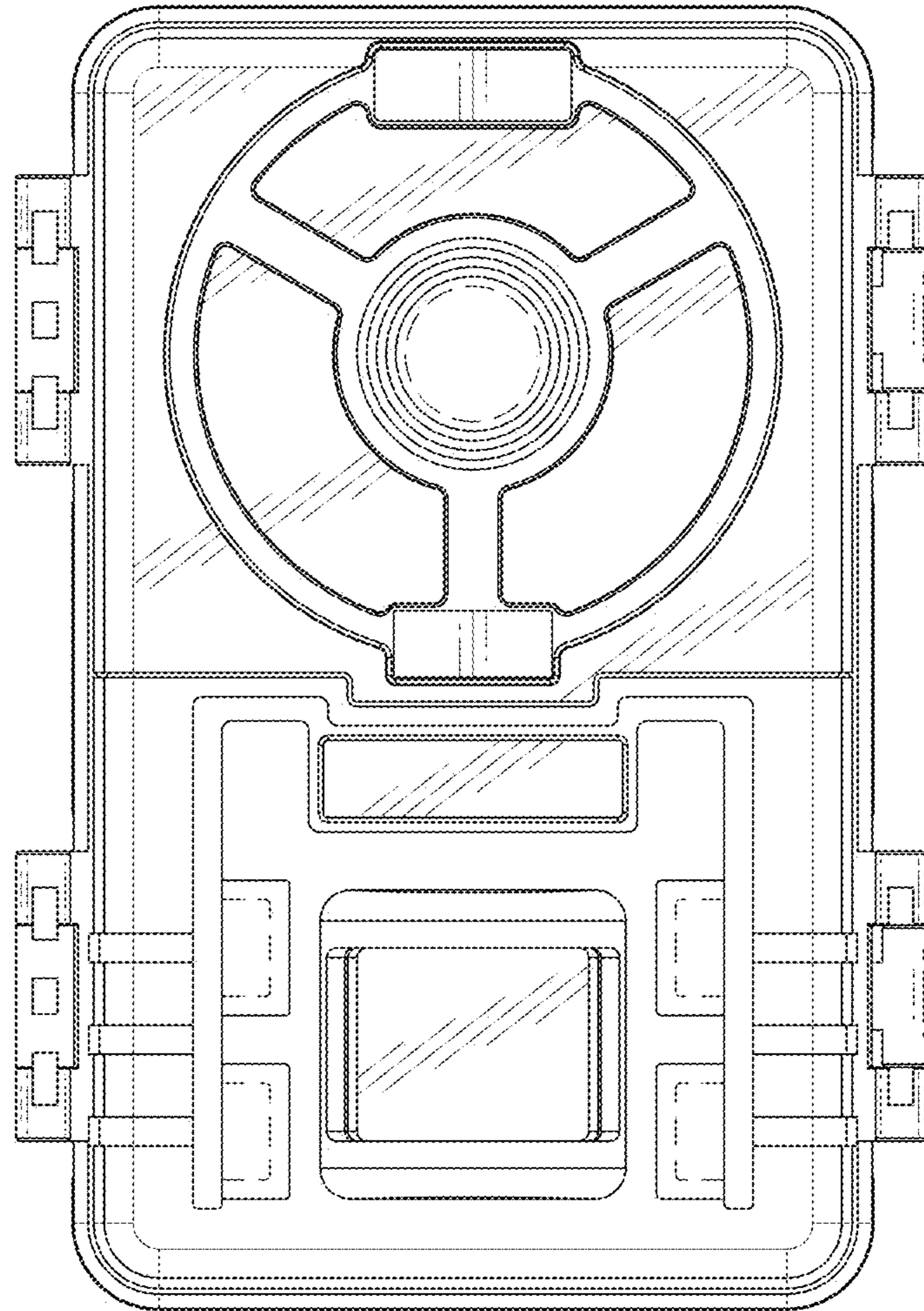


FIG. 2

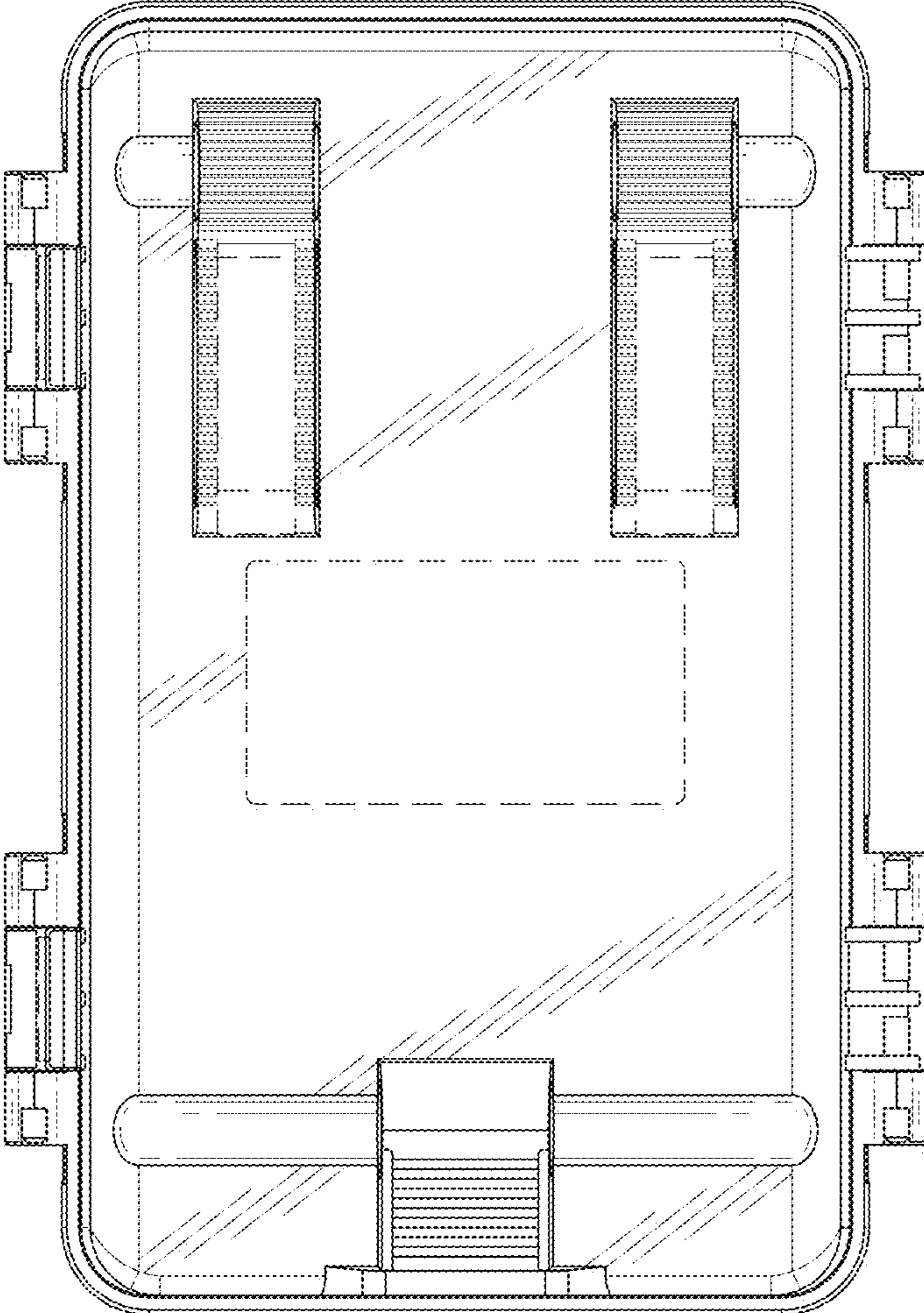


FIG. 3

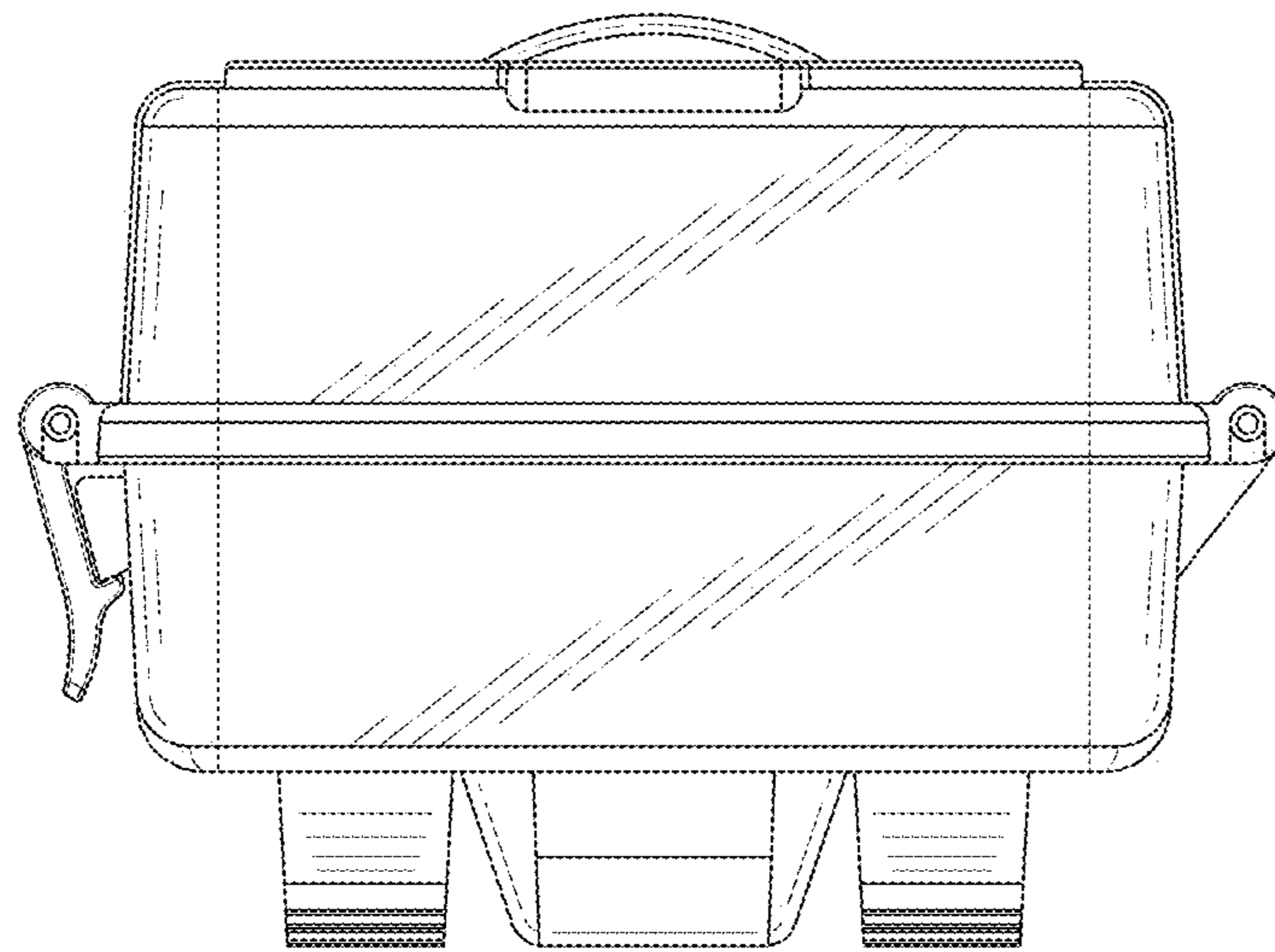


FIG. 4

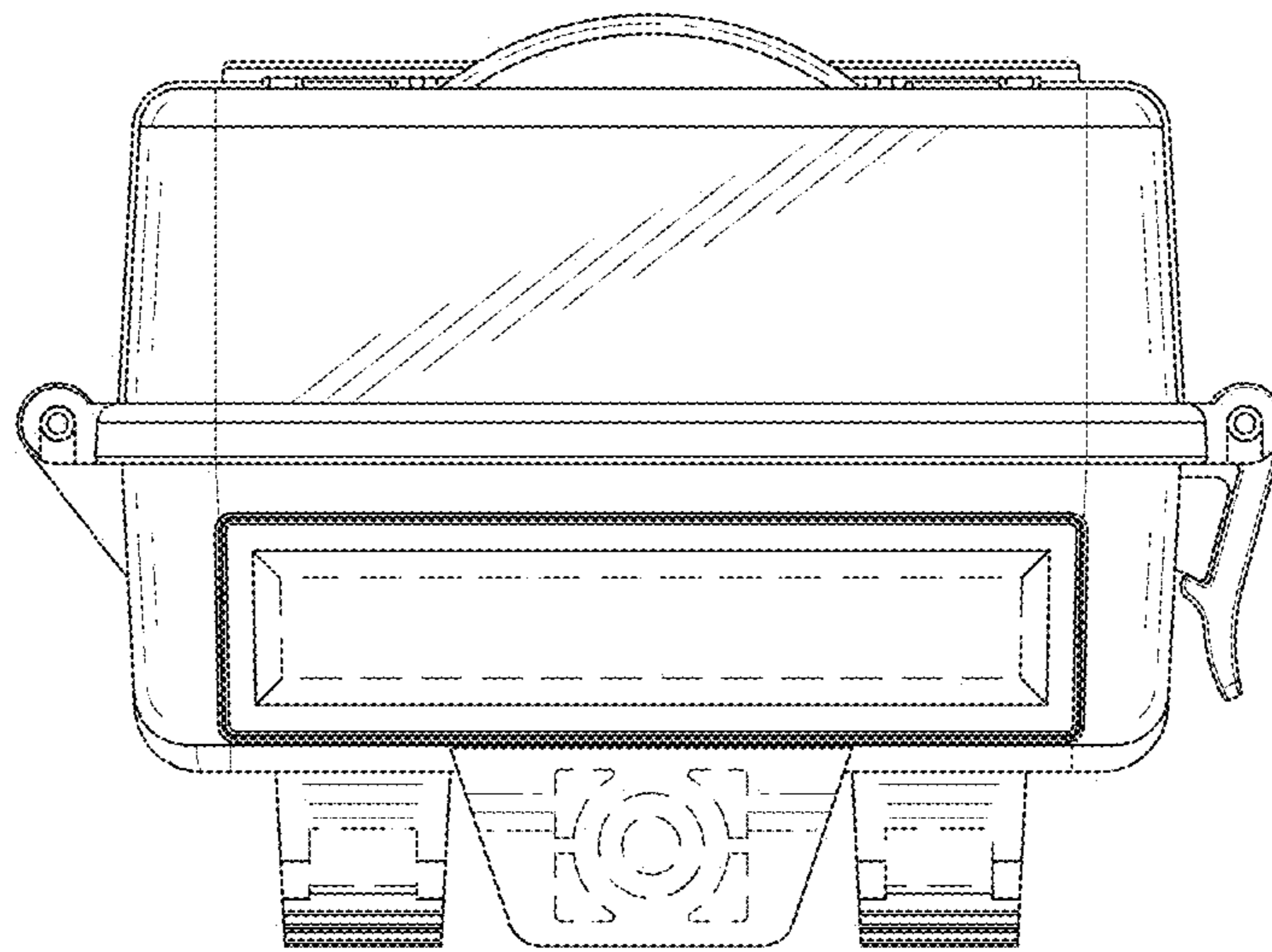


FIG. 5

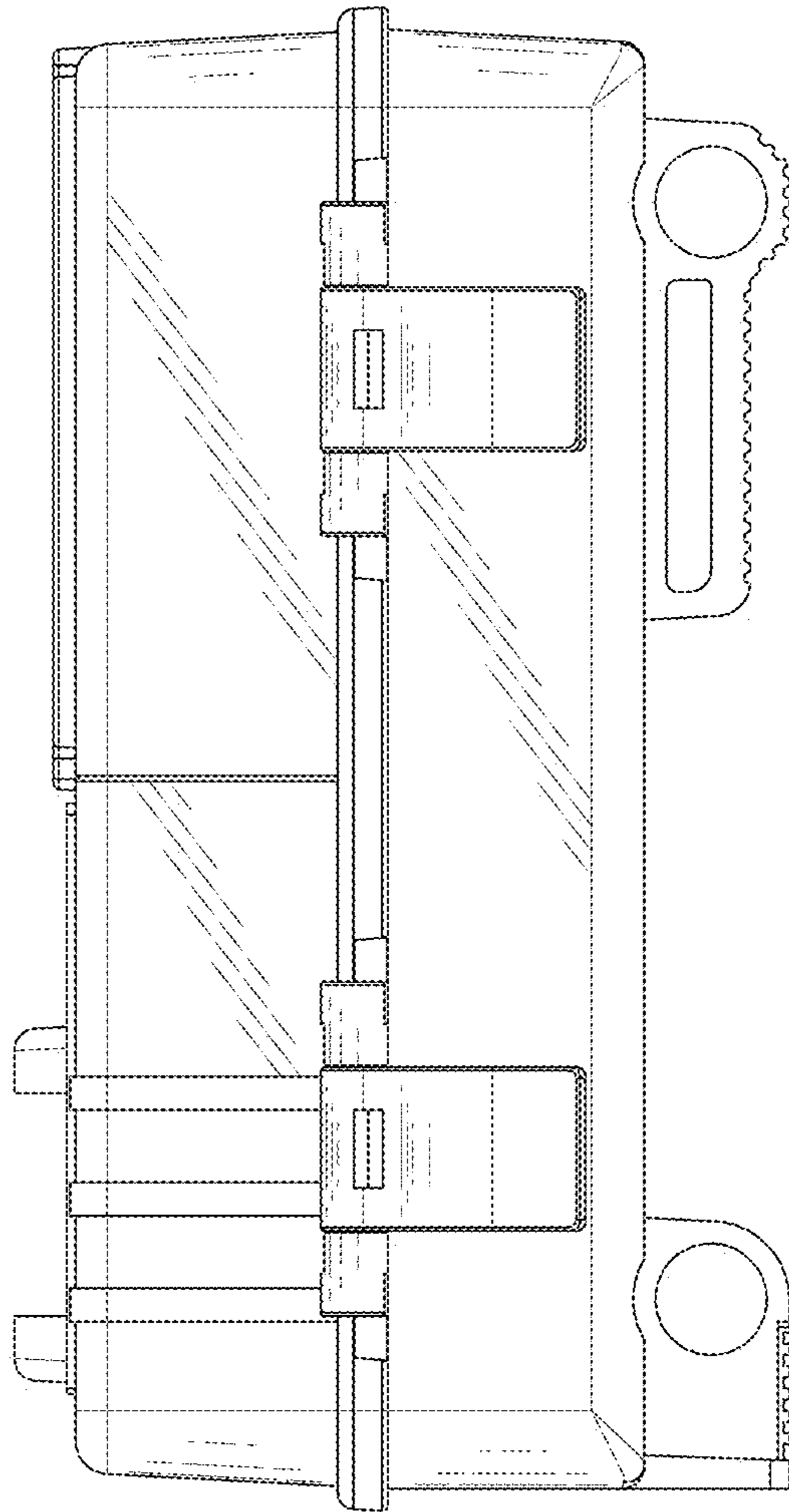


FIG. 6

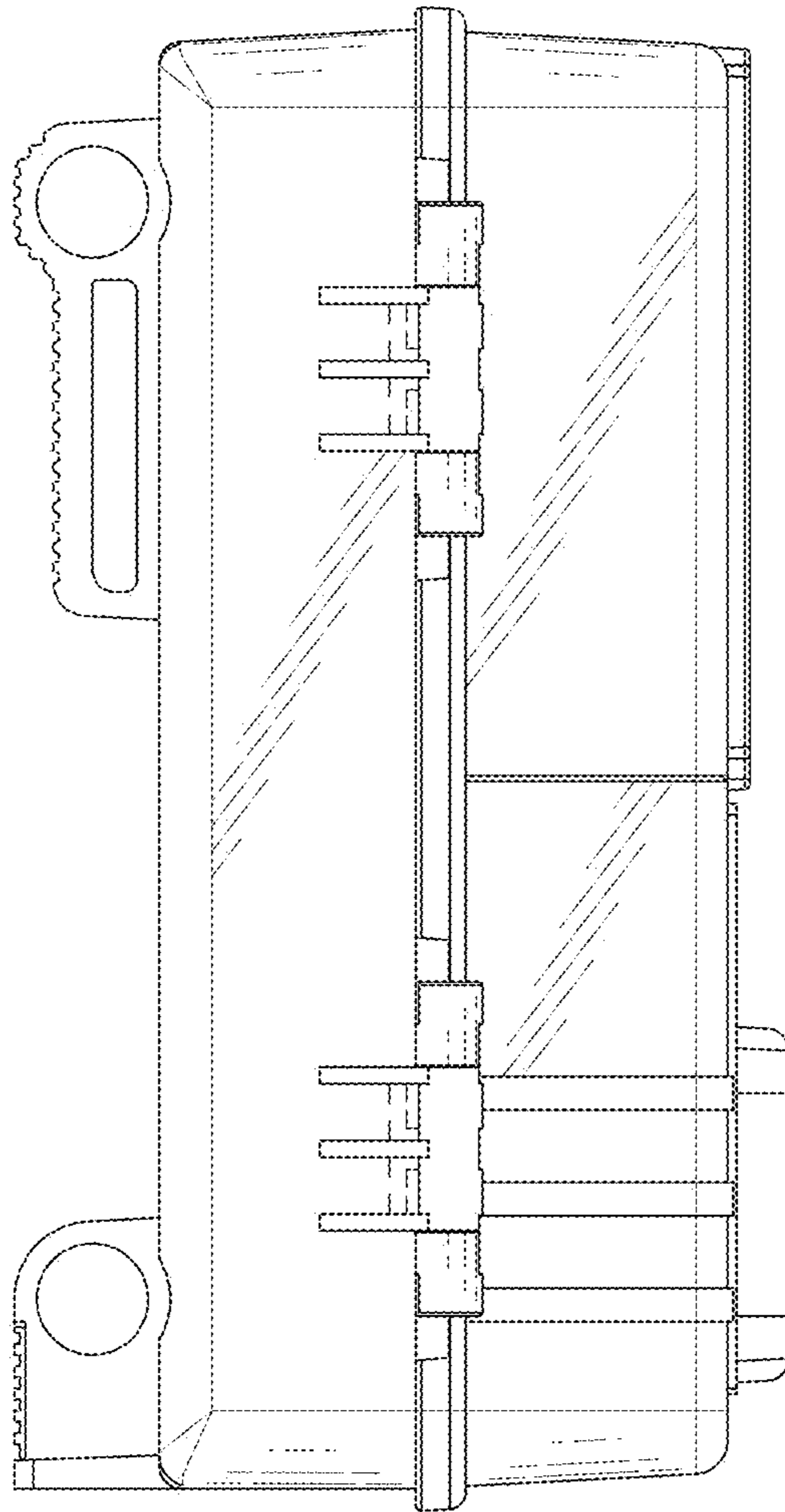


FIG. 7