



US00D933731S

(12) **United States Design Patent** (10) **Patent No.:** **US D933,731 S**
Chen (45) **Date of Patent:** **** Oct. 19, 2021**

(54) **MICROSCOPE**

(56) **References Cited**

(71) Applicant: **Laxco Incorporated**, Mill Creek, WA (US)

U.S. PATENT DOCUMENTS

(72) Inventor: **Congliang Chen**, Bothell, WA (US)

D674,831 S 1/2013 Wunnicke et al.

D681,087 S 4/2013 Kung

D681,089 S 4/2013 Au et al.

D771,169 S 11/2016 Weber

D780,819 S 3/2017 Watanabe et al.

D849,816 S 5/2019 Klein et al.

D859,487 S 9/2019 Chen et al.

D862,555 S 10/2019 Apotheloz

D865,833 S 11/2019 Chen et al.

D866,629 S 11/2019 Chen et al.

D866,630 S 11/2019 Chen et al.

D909,443 S * 2/2021 Chen D16/131

(**) Term: **15 Years**

(21) Appl. No.: **29/768,834**

* cited by examiner

(22) Filed: **Feb. 1, 2021**

Primary Examiner — Mark A Goodwin

Assistant Examiner — Benjamin M Weeks

(74) *Attorney, Agent, or Firm* — Lee & Hayes, P.C.

Related U.S. Application Data

(63) Continuation of application No. 29/670,440, filed on Nov. 15, 2018, now Pat. No. Des. 909,443.

(57) **CLAIM**

The ornamental design for a microscope, as shown and described.

(51) **LOC (13) Cl.** **16-06**

(52) **U.S. Cl.**
USPC **D16/131**

DESCRIPTION

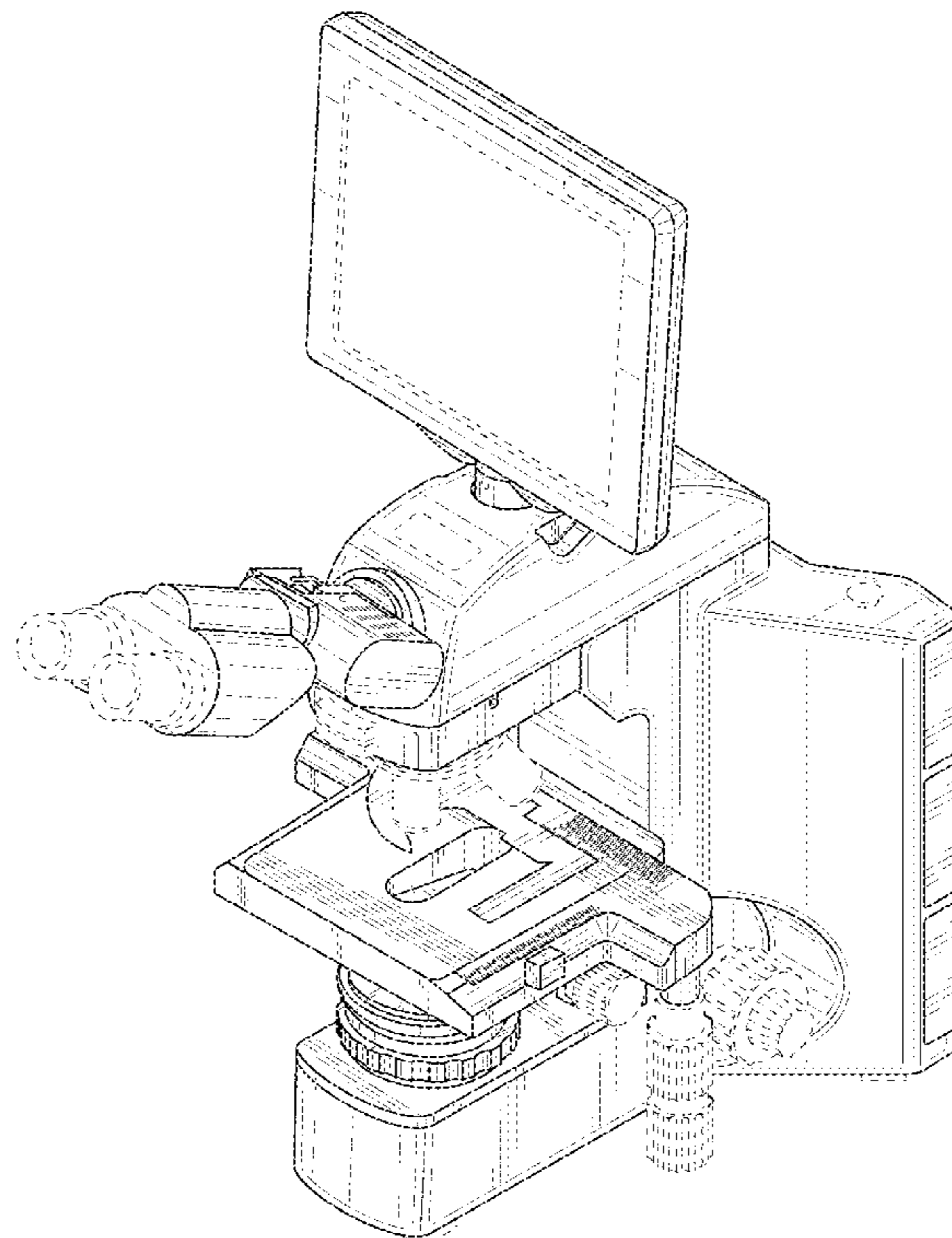
(58) **Field of Classification Search**
USPC D16/131, 136, 130, 132–135, 200, 202, D16/203, 218, 219; D22/100, 108, 109, D22/110, 199
CPC G02B 21/24; G02B 21/34; G02B 27/0006; G02B 7/00; G02B 7/001; G02B 17/00; G02B 1/00; G02B 1/002; G02B 1/0008; G02B 1/0012

FIG. 1 is a top, front perspective view of a microscope; FIG. 2 is a front view thereof; FIG. 3 is a back view thereof; FIG. 4 is a left-side view thereof; FIG. 5 is a right-side view thereof; and, FIG. 6 is a top view thereof.

The broken lines depict portions of the microscope that form no part of the claimed design. The bottom view is omitted as forming no part of the claimed design.

See application file for complete search history.

1 Claim, 6 Drawing Sheets



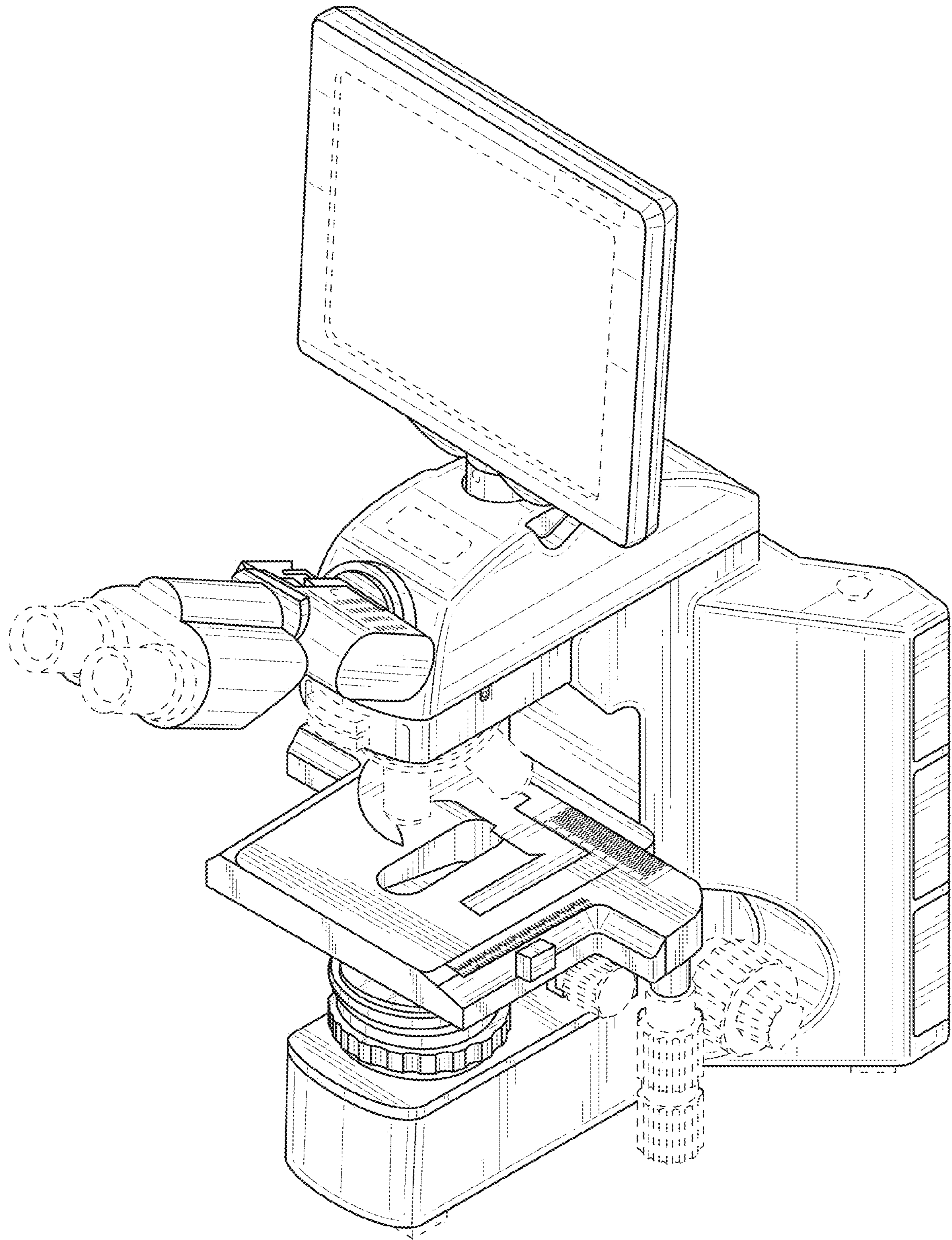


FIG. 1

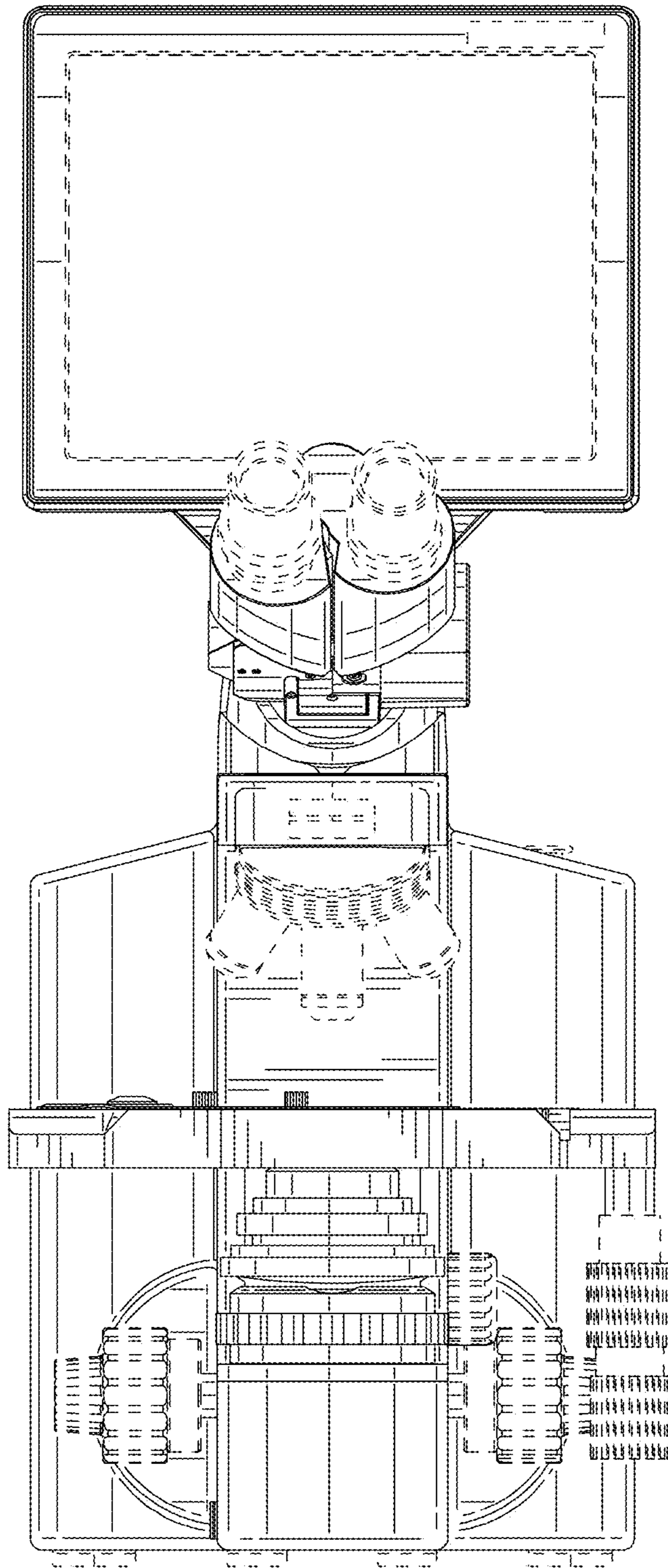


FIG. 2

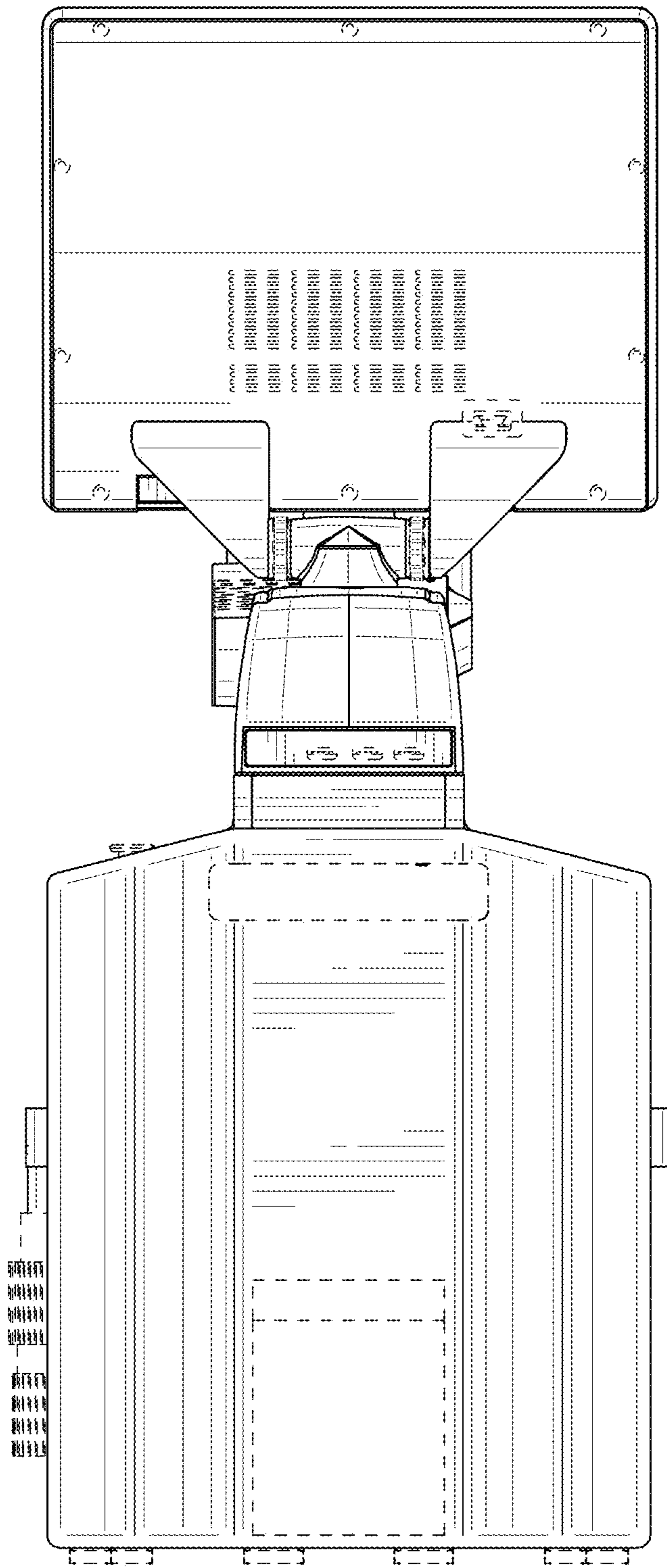


FIG. 3

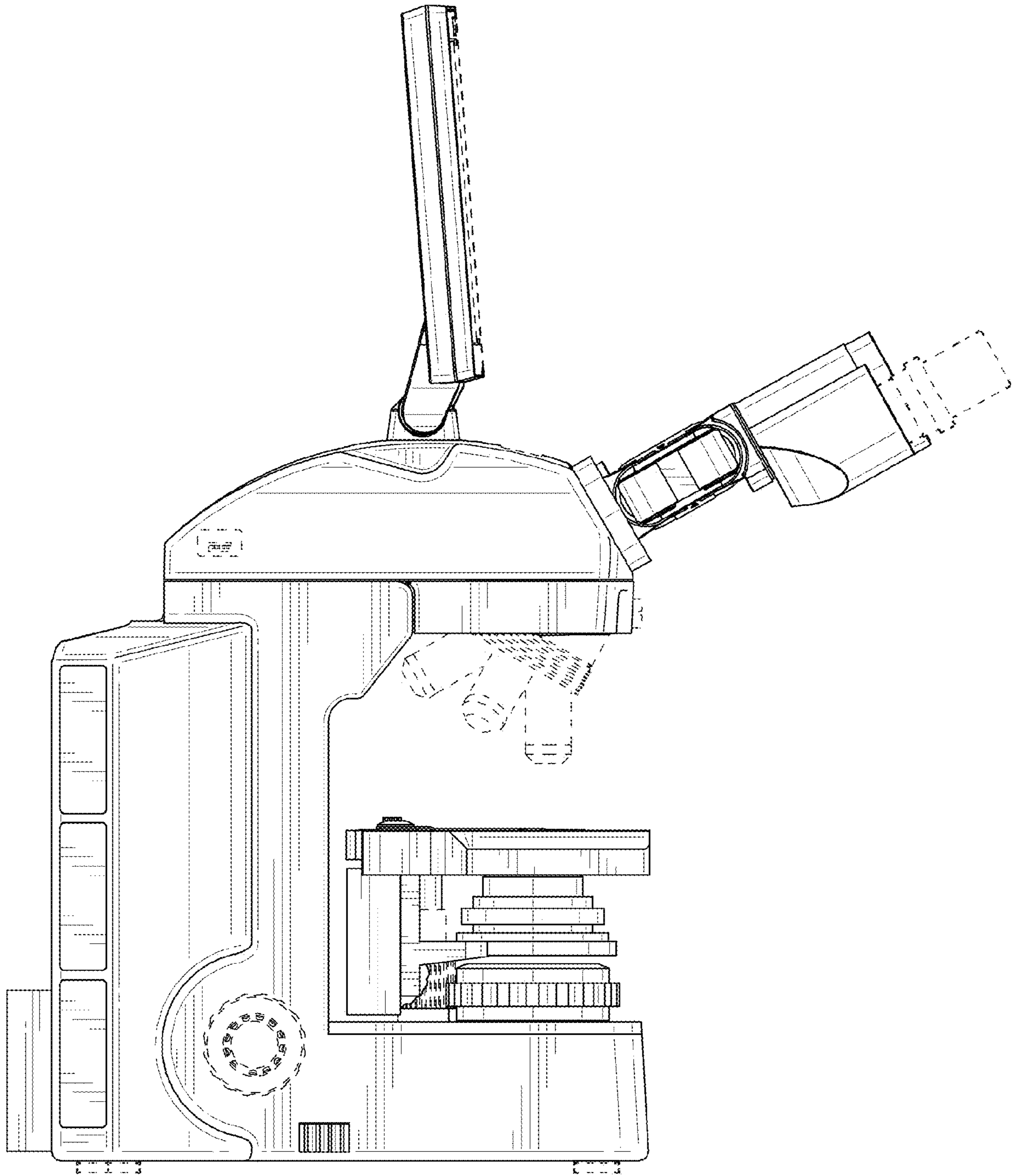


FIG. 4

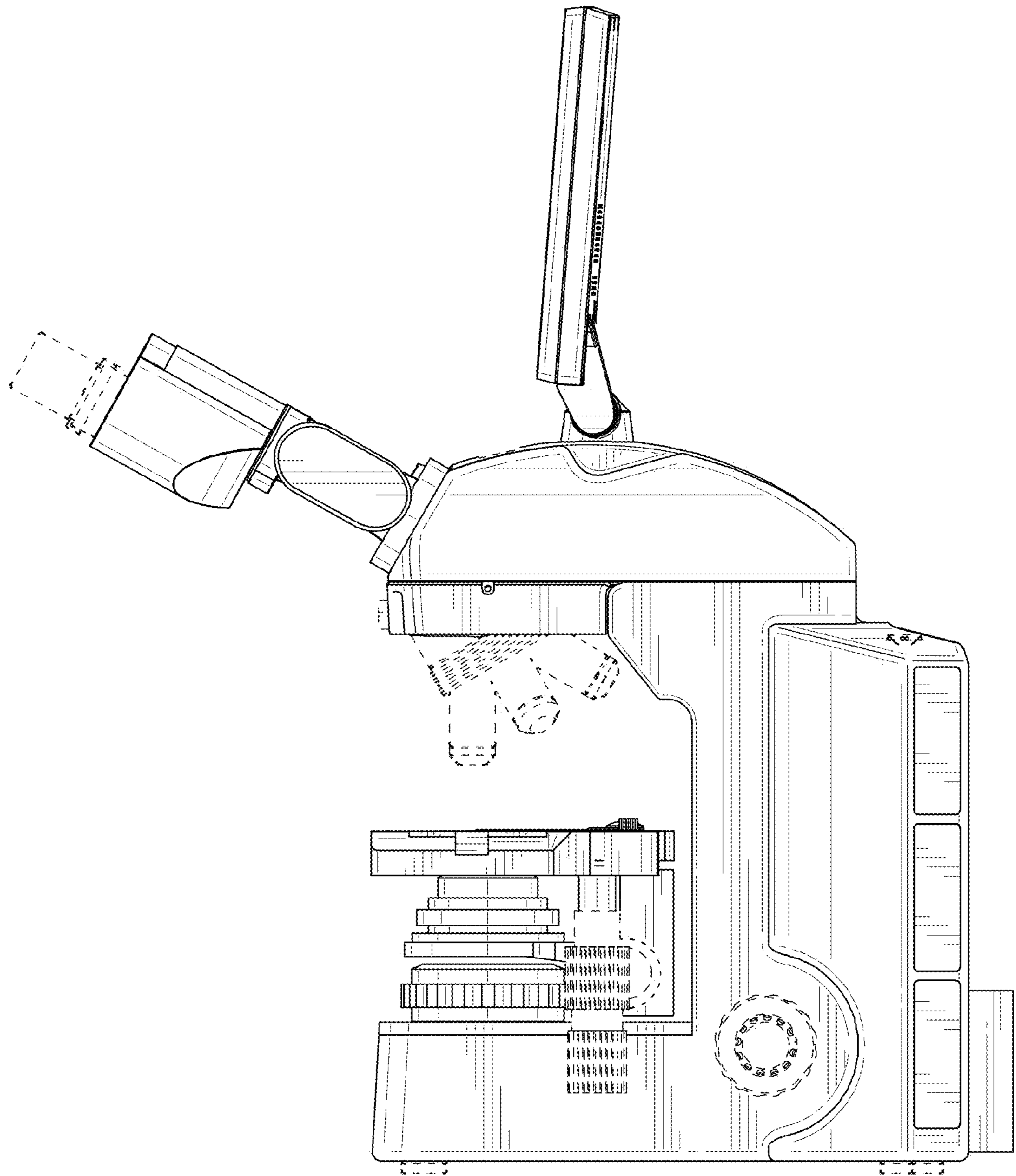


FIG. 5

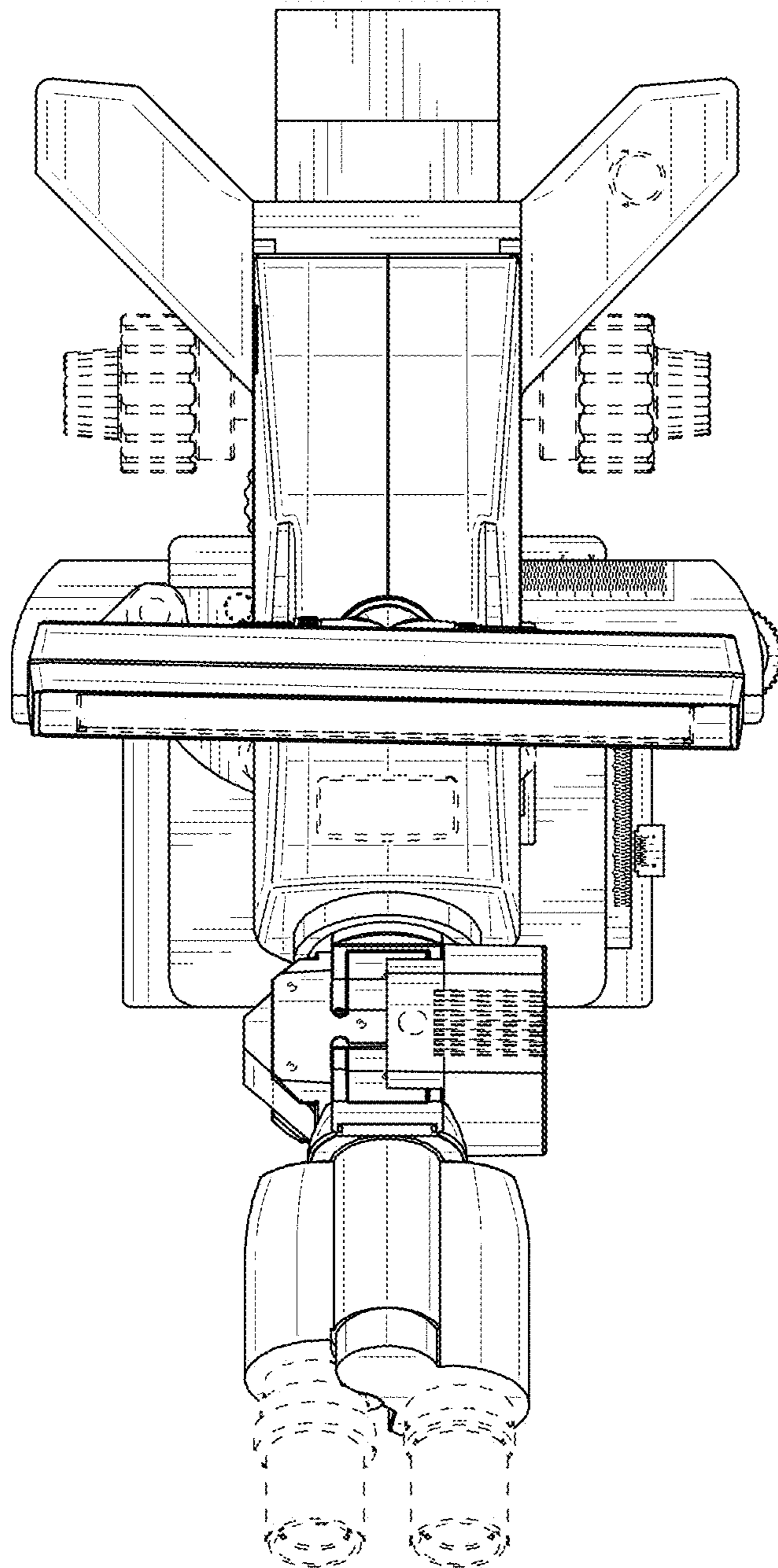


FIG. 6