



US00D933729S

(12) **United States Design Patent** (10) **Patent No.:** **US D933,729 S**  
**Schulnig** (45) **Date of Patent:** **\*\* Oct. 19, 2021**

(54) **PART OF A FILLING MACHINE FOR BOTTLES**

(71) Applicant: **Tyrolon-Schulnig GmbH**, Hochfilzen (AT)

(72) Inventor: **Elmar Schulnig**, St. Jakob i.H. (AT)

(\*\*) Term: **15 Years**

(21) Appl. No.: **35/508,213**

(22) Filed: **Oct. 23, 2019**

(80) **Hague Agreement Data**

Int. Filing Date: **Oct. 23, 2019**

Int. Reg. No.: **DM/204928**

Int. Reg. Date: **Oct. 23, 2019**

Int. Reg. Pub. Date: **Dec. 27, 2019**

(30) **Foreign Application Priority Data**

May 14, 2019 (EM) ..... 006455150-0001

(51) **LOC (13) Cl.** ..... **15-09**

(52) **U.S. Cl.**

USPC ..... **D15/199**; D15/138

CPC ..... **B67C 3/242** (2013.01)

(58) **Field of Classification Search**

USPC ..... D15/122, 138, 199; D8/349, 354, 356;

D13/155; D23/259, 260, 262-266;

248/312, 226.11, 230.1-230.7, 309, 110,

248/113, 229.1, 316.1-316.6, 231.81,

248/231.41, 245, 229.24, 313; 16/111.1,

16/406, 411, 425; 294/115, 99.1;

198/470.1

CPC ..... B67C 3/242; B67C 7/0053; B65G 47/847;

B08B 9/42; B08B 9/426

See application file for complete search history.

(56) **References Cited**

U.S. PATENT DOCUMENTS

RE29,482 E \* 11/1977 Rosen ..... B65B 43/42  
141/160

5,778,633 A \* 7/1998 Sweeny ..... B65B 59/04  
53/201

8,876,082 B1 \* 11/2014 Beringer ..... B67C 3/26  
251/263

9,725,290 B2 \* 8/2017 Fahldiek ..... B65G 47/847  
D846,608 S \* 4/2019 Mowdy ..... D15/138

\* cited by examiner

*Primary Examiner* — Richard E Chilcot

(74) *Attorney, Agent, or Firm* — Cesari and McKenna, LLP

(57) **CLAIM**

The ornamental design for part of a filling machine for bottles, as shown and described.

**DESCRIPTION**

1. Part of a filling machine for bottles

Figure 1.1 is a perspective view of a part of a filling machine for bottles;

Figure 1.2 is a side view of a part of a filling machine for bottles;

Figure 1.3 is a side view of a part of a filling machine for bottles;

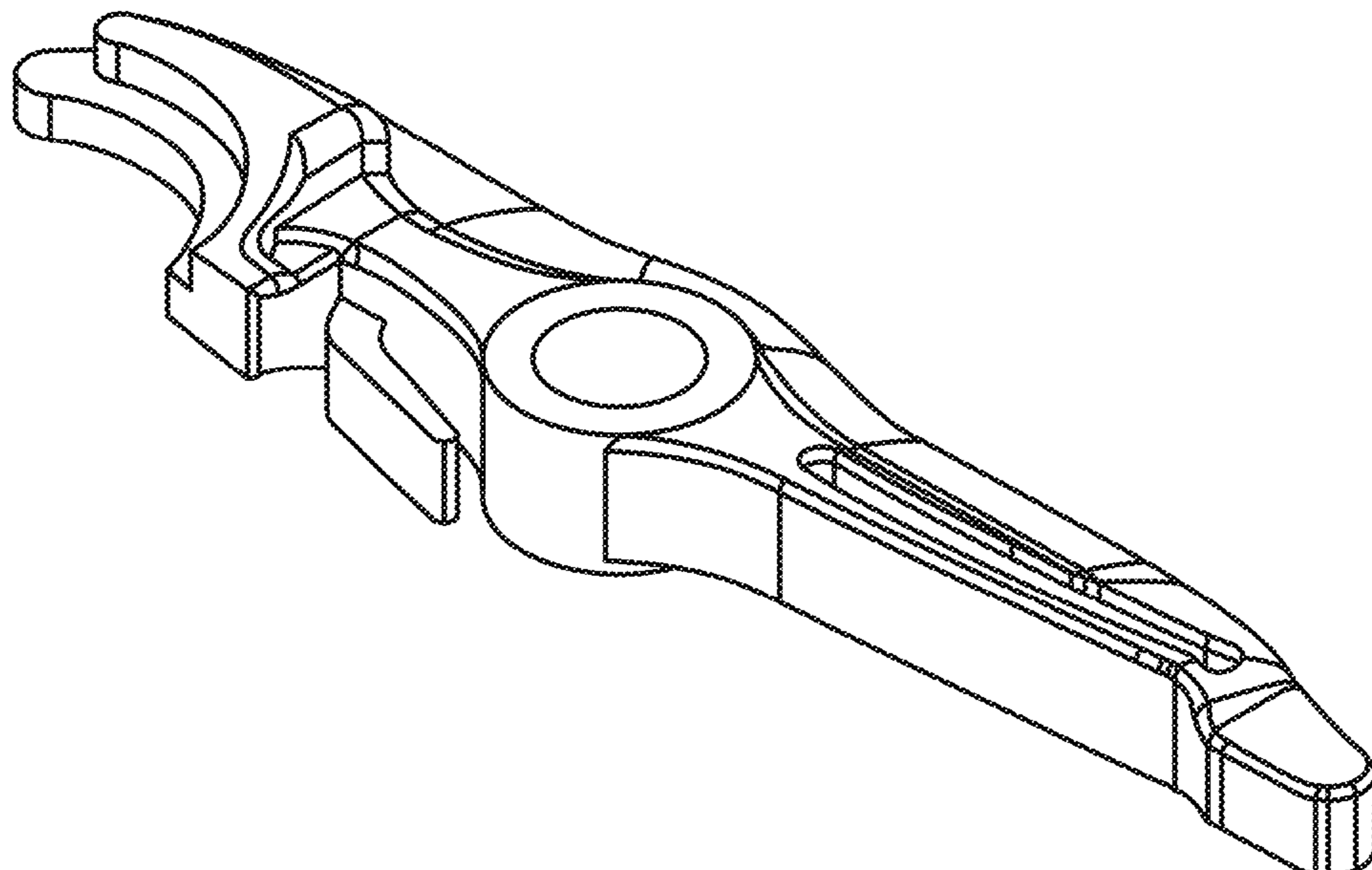
Figure 1.4 is a top view of a part of a filling machine for bottles;

Figure 1.5 is a bottom view of a part of a filling machine for bottles;

Figure 1.6 is an end view of a part of a filling machine for bottles; and

Figure 1.7 is an end view of a part of a filling machine for bottles.

**1 Claim, 7 Drawing Sheets**



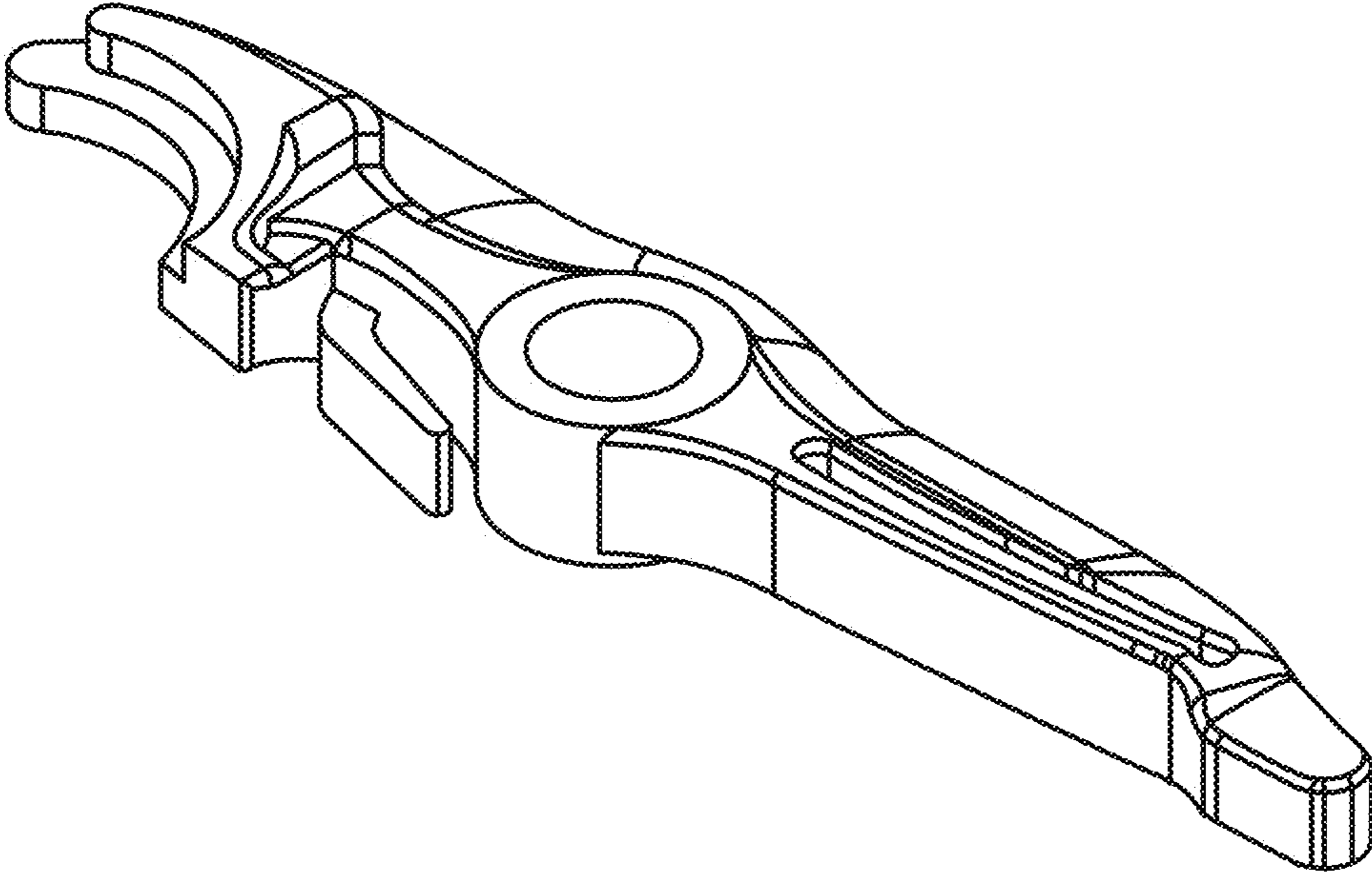


FIG. 1.1

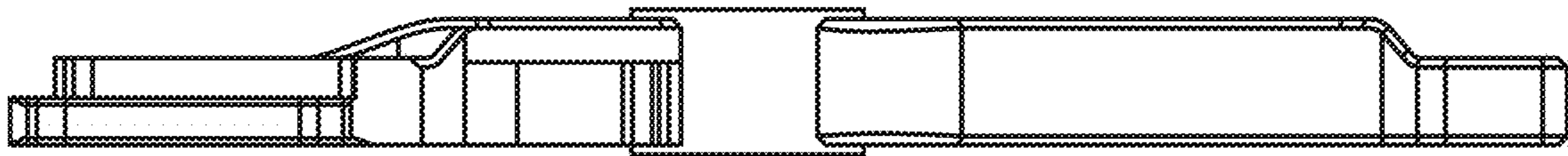


FIG. 1.2

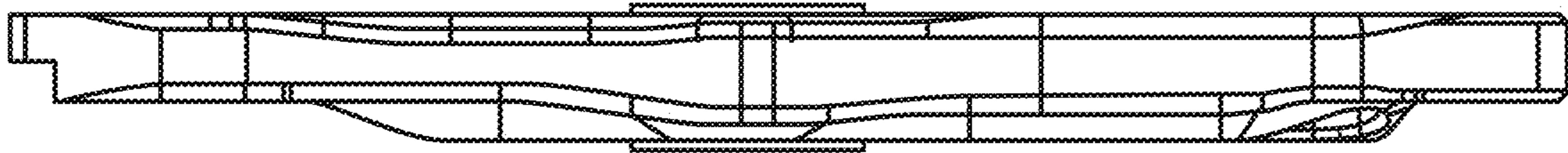


FIG. 1.3

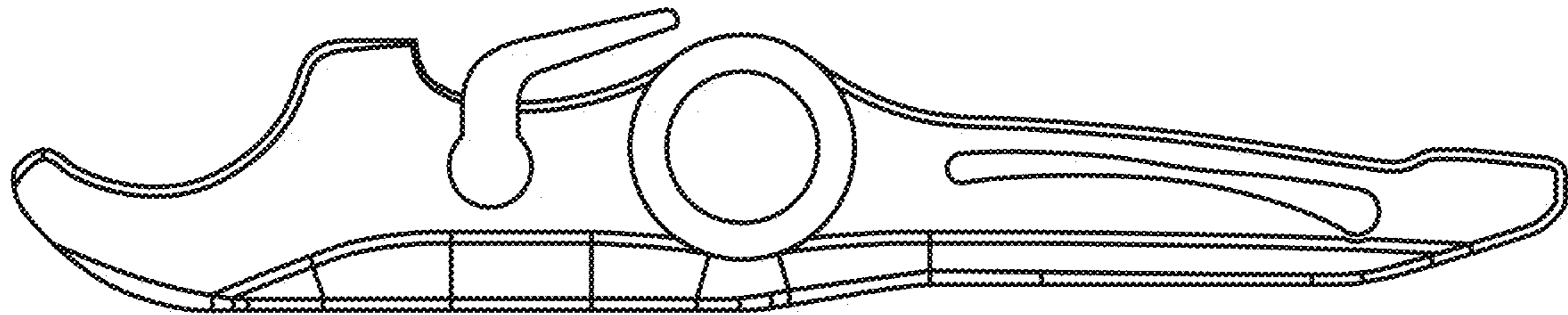


FIG. 1.4

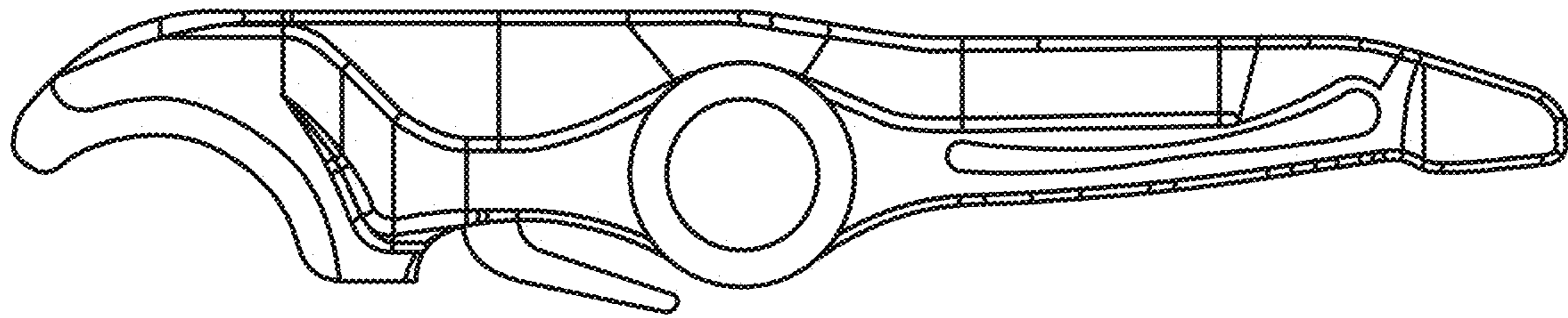


FIG. 1.5

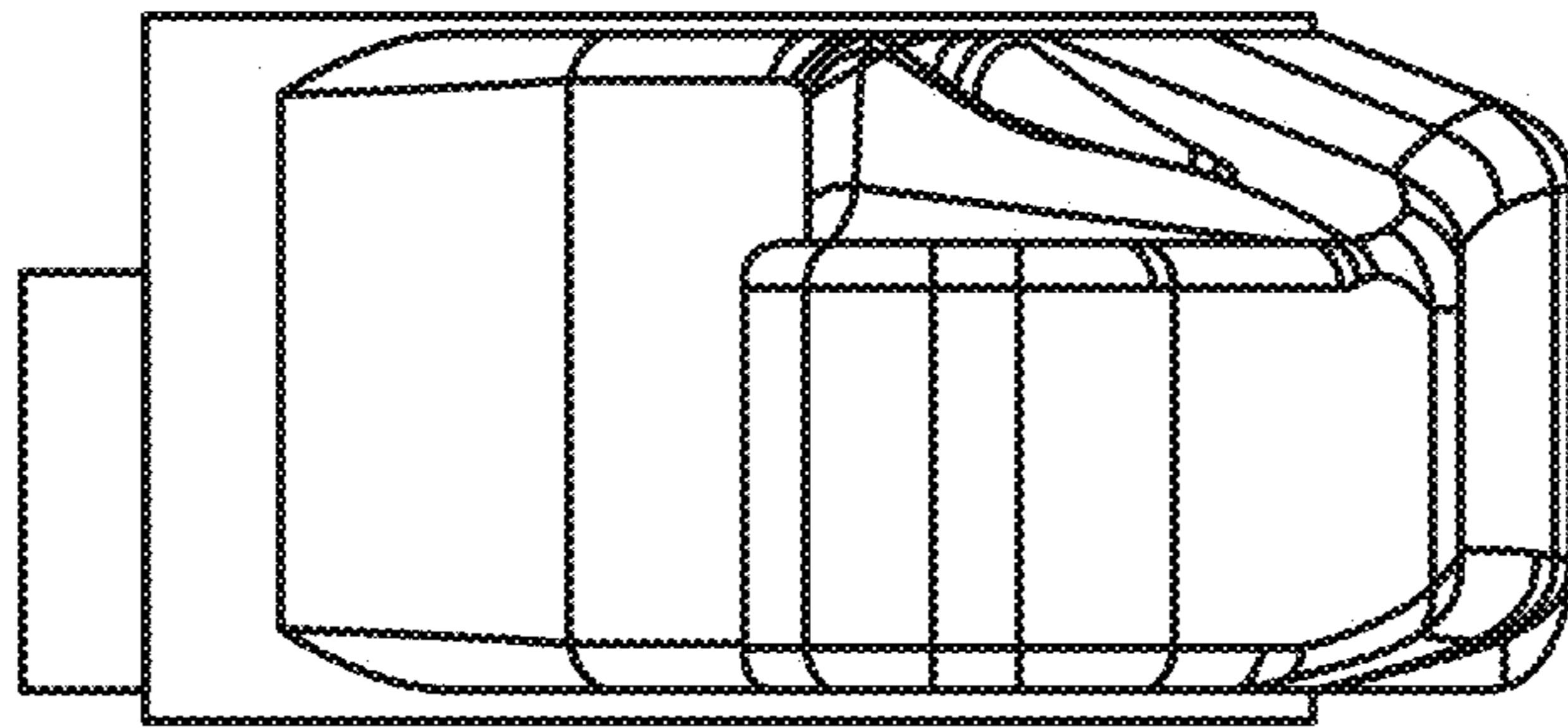


FIG. 1.6

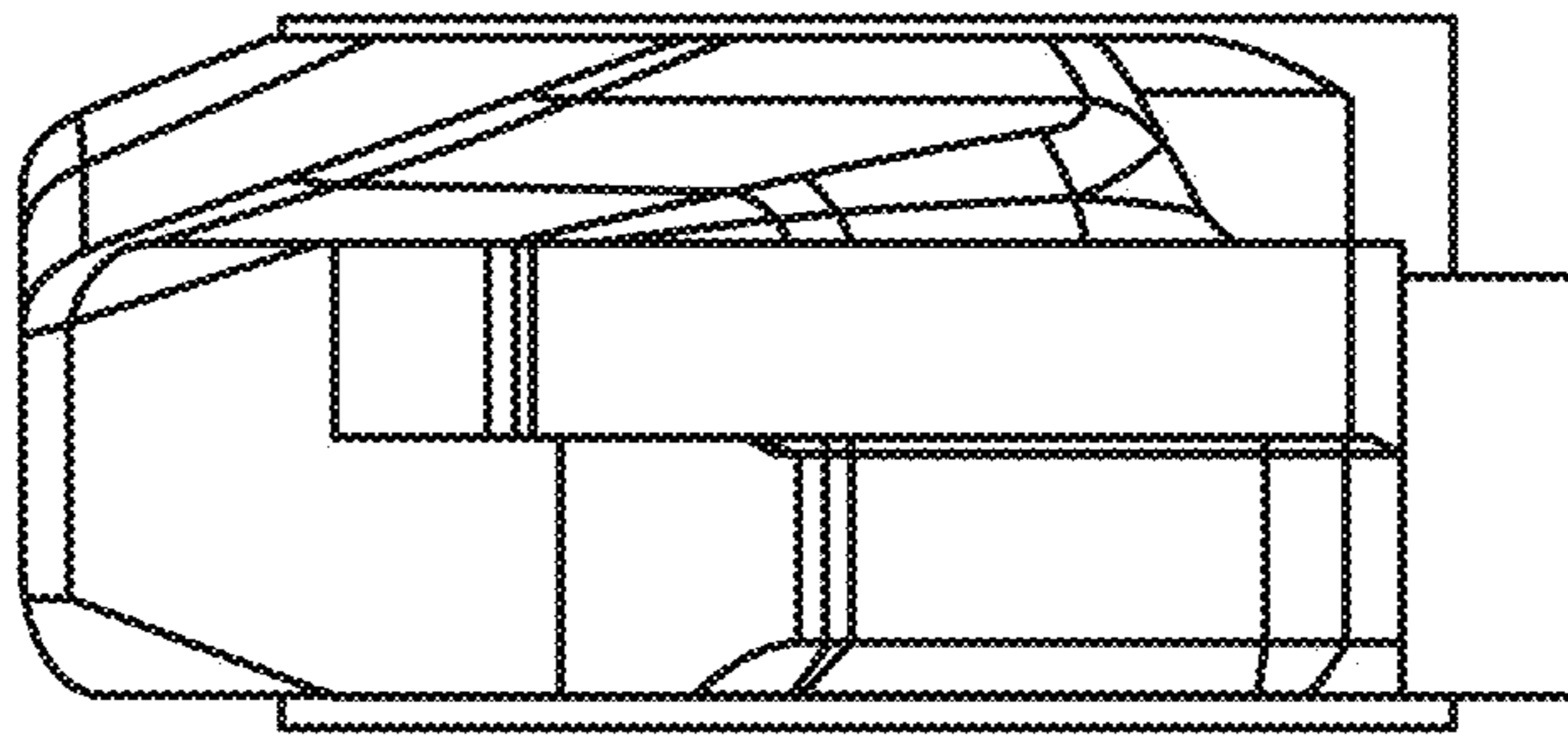


FIG. 1.7