



US00D933728S

(12) **United States Design Patent**
Zhang et al.

(10) **Patent No.:** **US D933,728 S**
(45) **Date of Patent:** **** Oct. 19, 2021**

(54) **ROBOT**

(71) Applicant: **Living technology (shenzhen) co., LTD**, Shenzhen (CN)

(72) Inventors: **Yuxuan Zhang**, Shenzhen (CN); **Ce Li**, Shenzhen (CN); **Yue Zhang**, Shenzhen (CN)

(73) Assignee: **Living technology (shenzhen) co., LTD**, Shenzhen (CN)

(**) Term: **15 Years**

(21) Appl. No.: **29/736,922**

(22) Filed: **Jun. 4, 2020**

(51) **LOC (13) Cl.** **15-99**

(52) **U.S. Cl.**
USPC **D15/199**; D21/578; D19/59

(58) **Field of Classification Search**
USPC D15/199; D19/59; D21/578-583, 621, D21/622

CPC .. G06N 99/005; G09B 19/00; G09B 19/0053; G09B 5/06; G09B 5/062; G09B 5/065; G09B 5/125; B25J 9/1615; G05B 2219/40304

See application file for complete search history.

(56) **References Cited**

U.S. PATENT DOCUMENTS

D896,291 S * 9/2020 Xing D15/199
D907,306 S * 1/2021 Tang D30/122

D909,496 S * 2/2021 Zou D21/578
D910,782 S * 2/2021 Zhou D21/578
D917,635 S * 4/2021 Li D21/621
D918,979 S * 5/2021 Mullan D15/199
D919,717 S * 5/2021 Paul D21/578

* cited by examiner

Primary Examiner — Patricia A Palasik

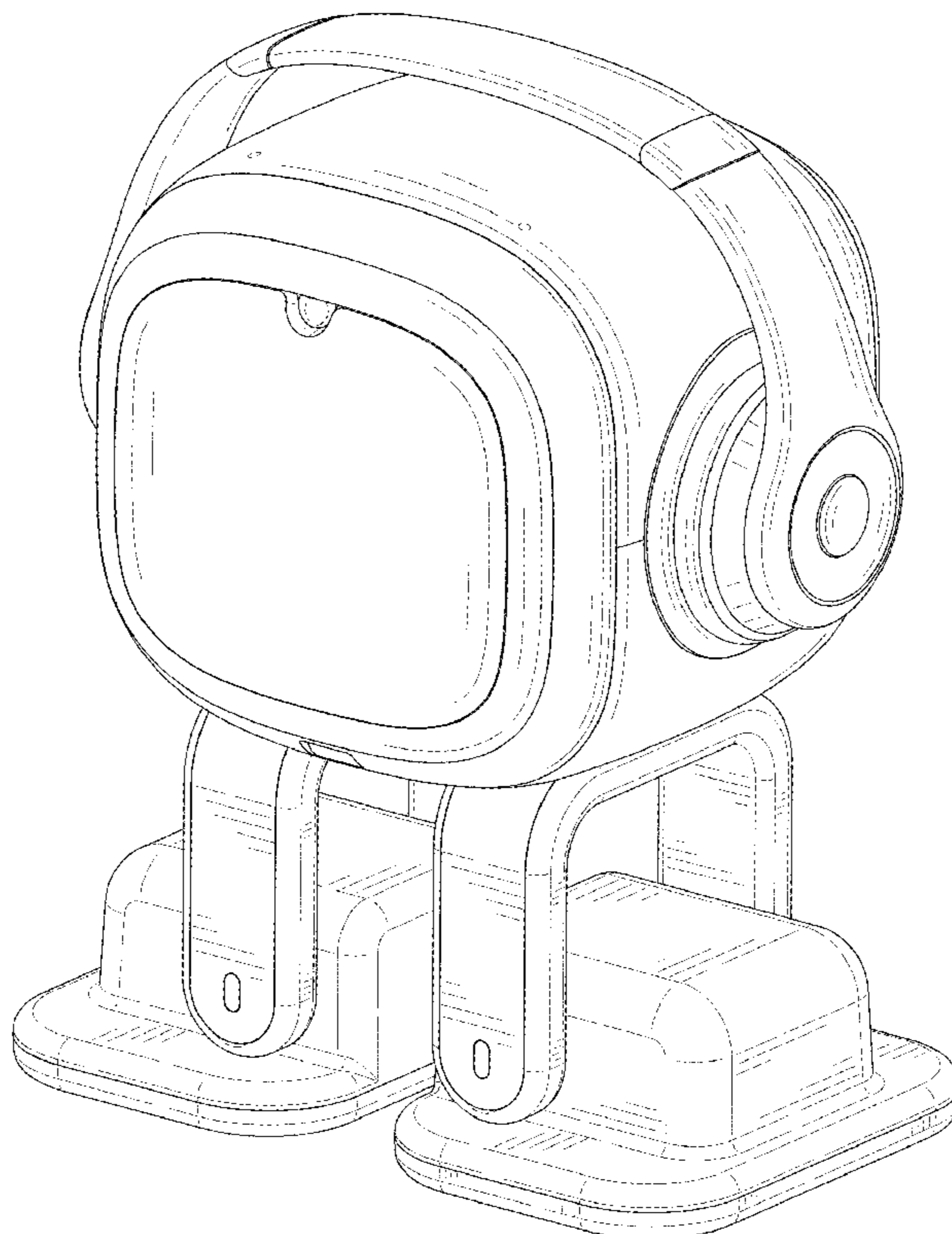
(57) **CLAIM**

The ornamental design for a robot, as shown and described.

DESCRIPTION

FIG. 1 is a perspective view of a robot showing our new design;
FIG. 2 is another view of this design shown in FIG. 1, viewed from another aspect;
FIG. 3 is a front elevational view thereof;
FIG. 4 is a rear elevational view thereof;
FIG. 5 is a left side elevational view thereof;
FIG. 6 is a right side elevational view thereof;
FIG. 7 is a top plan view thereof; and,
FIG. 8 is a bottom plan view thereof.
The broken lines in the drawings depict portions of the robot that form no part of the claimed design.

1 Claim, 8 Drawing Sheets



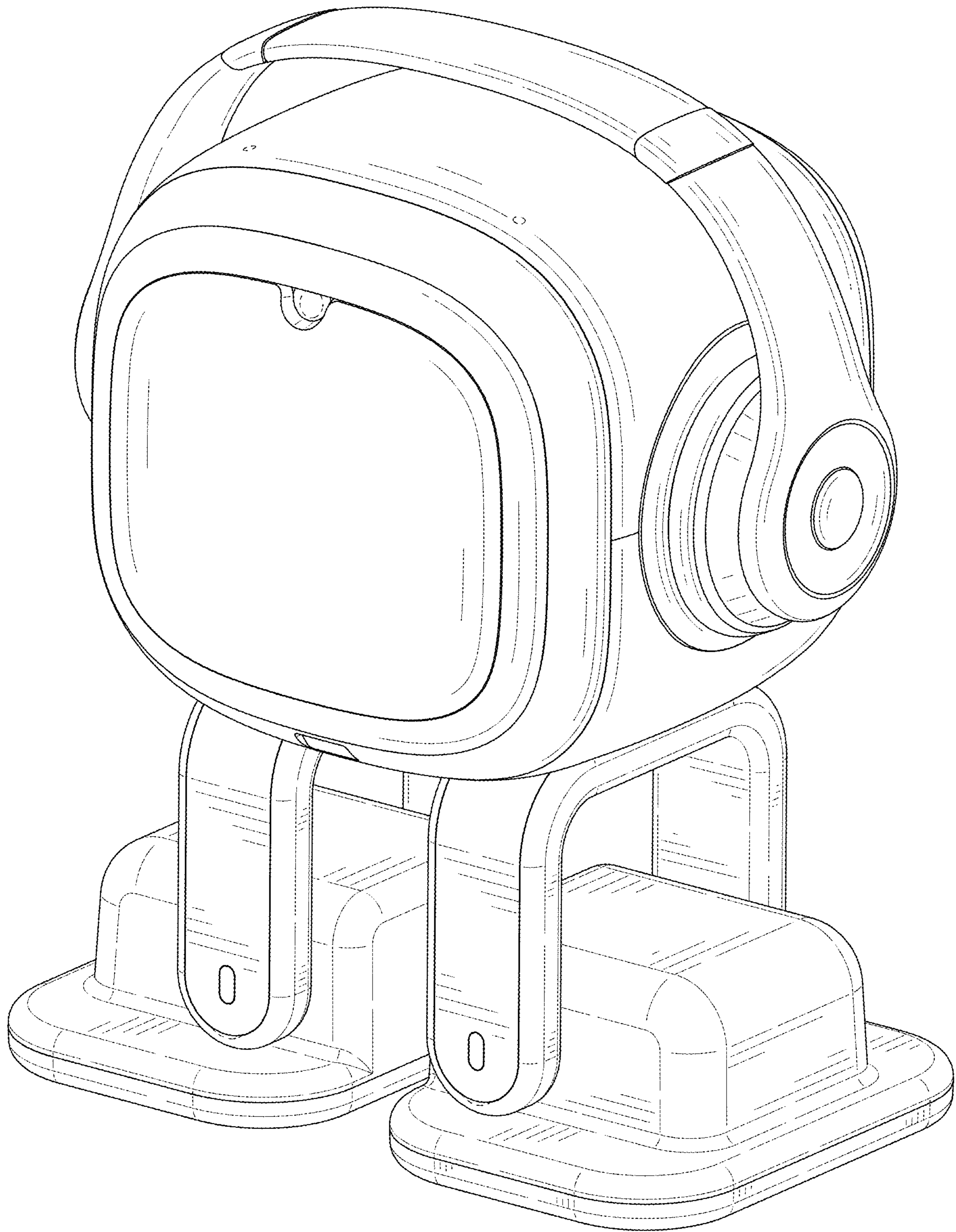


FIG. 1

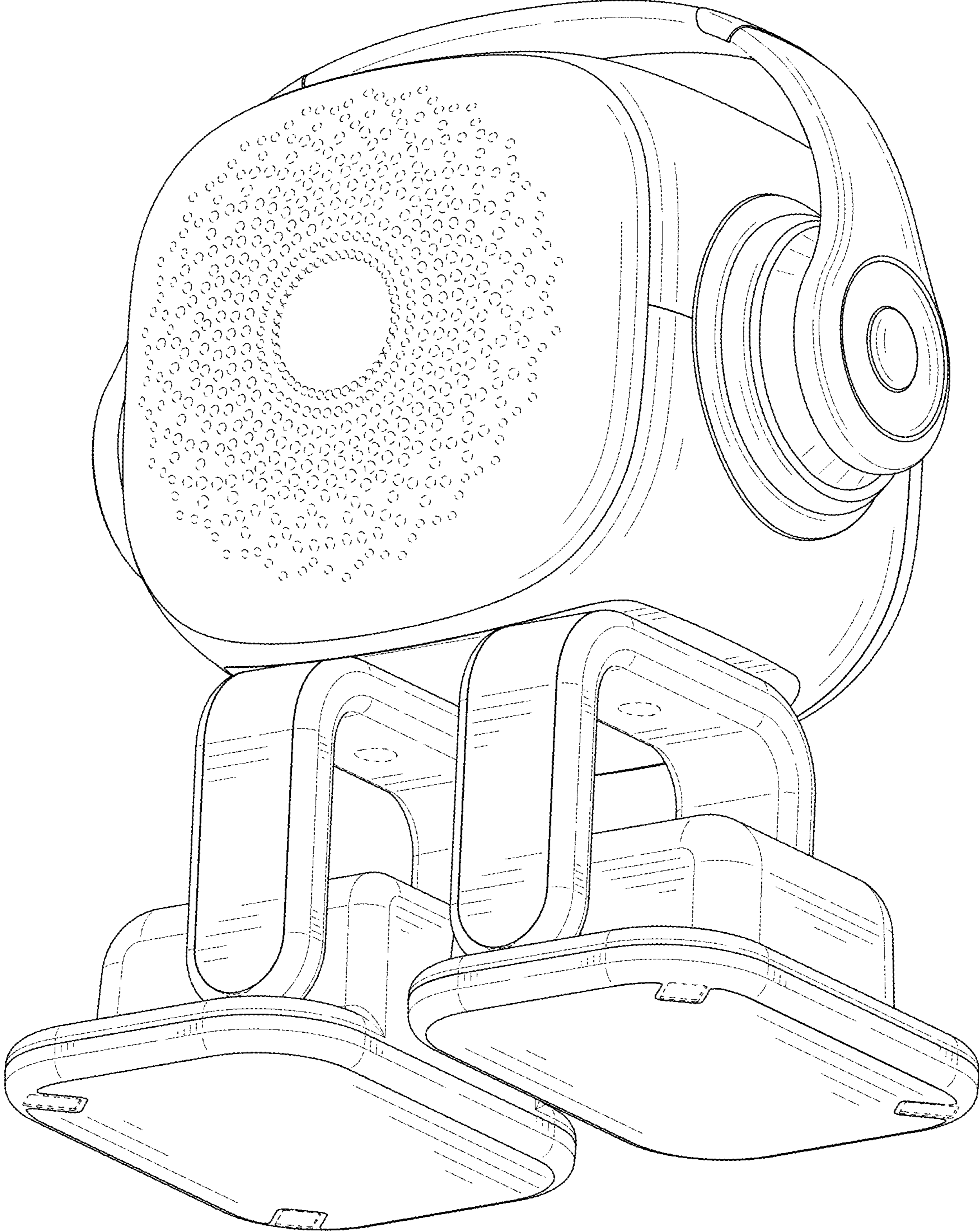


FIG. 2

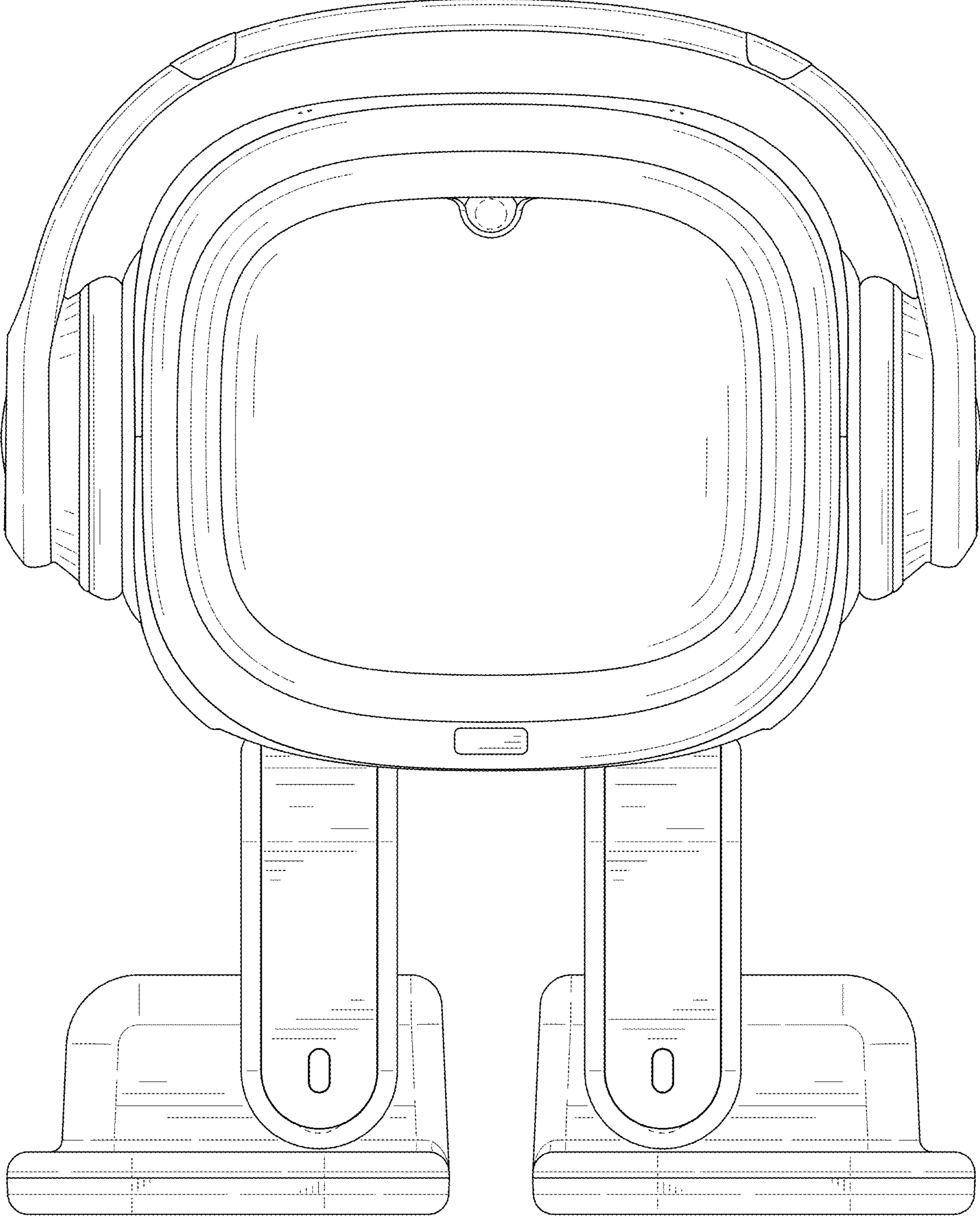


FIG. 3

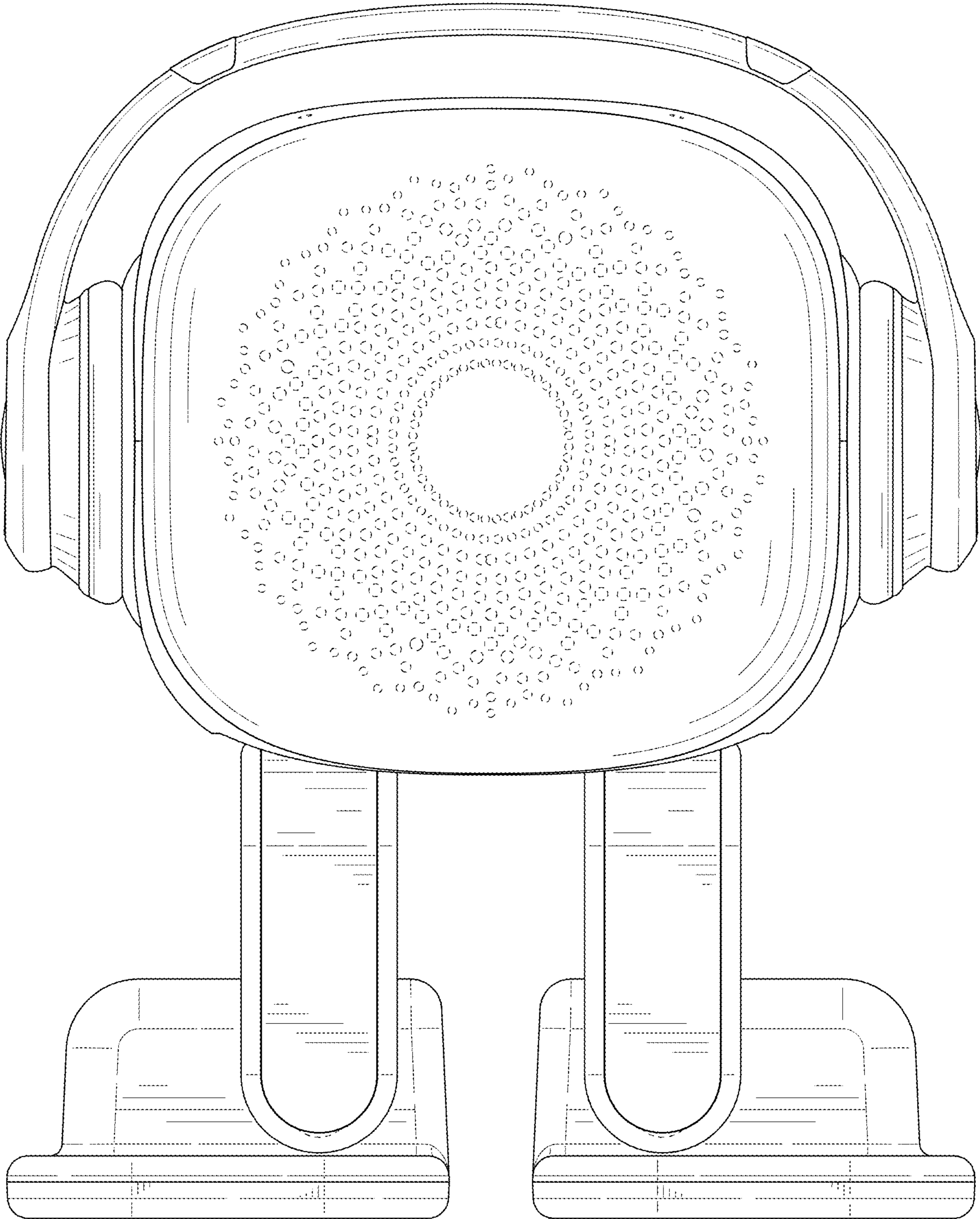


FIG. 4

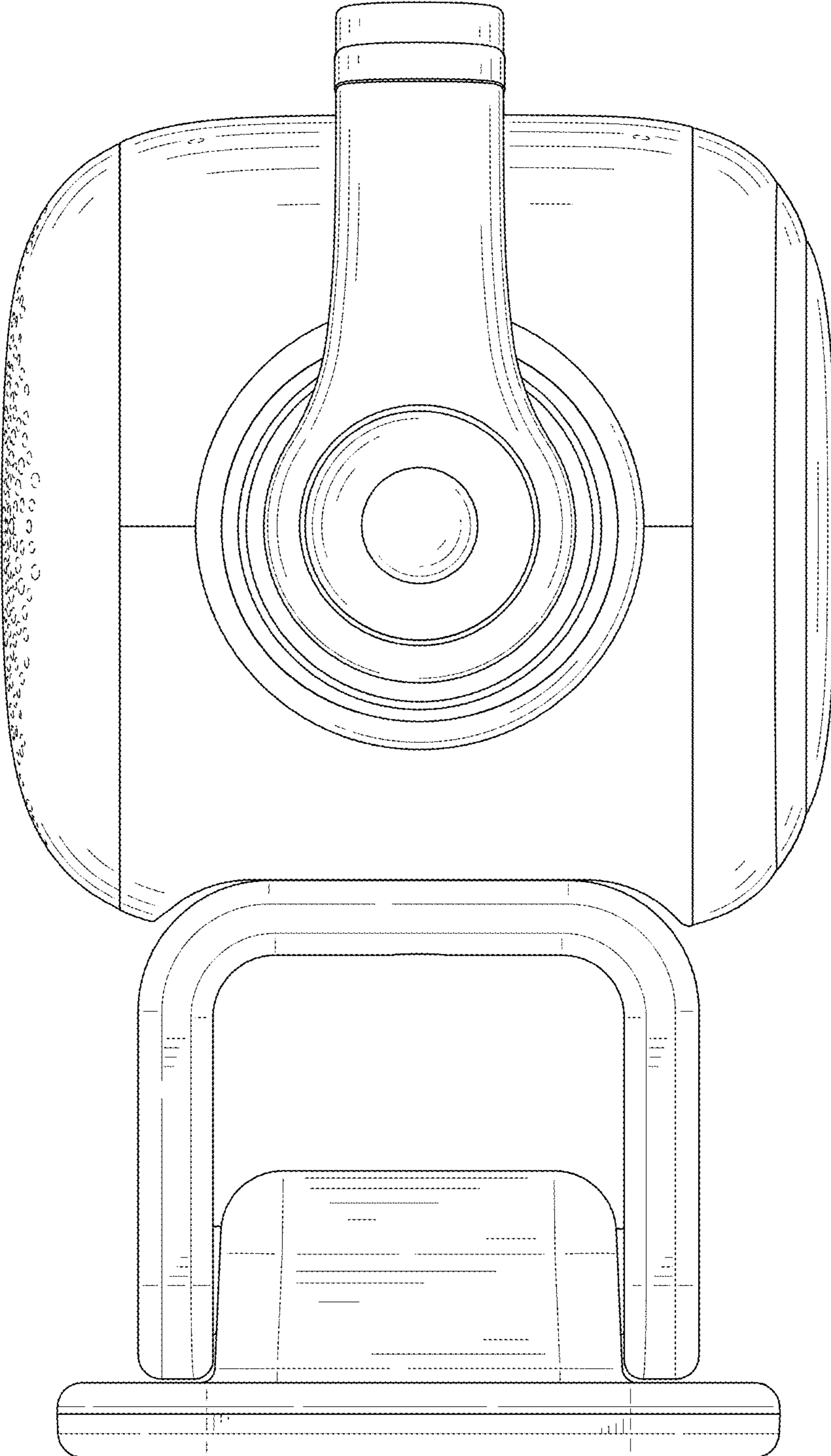


FIG. 5

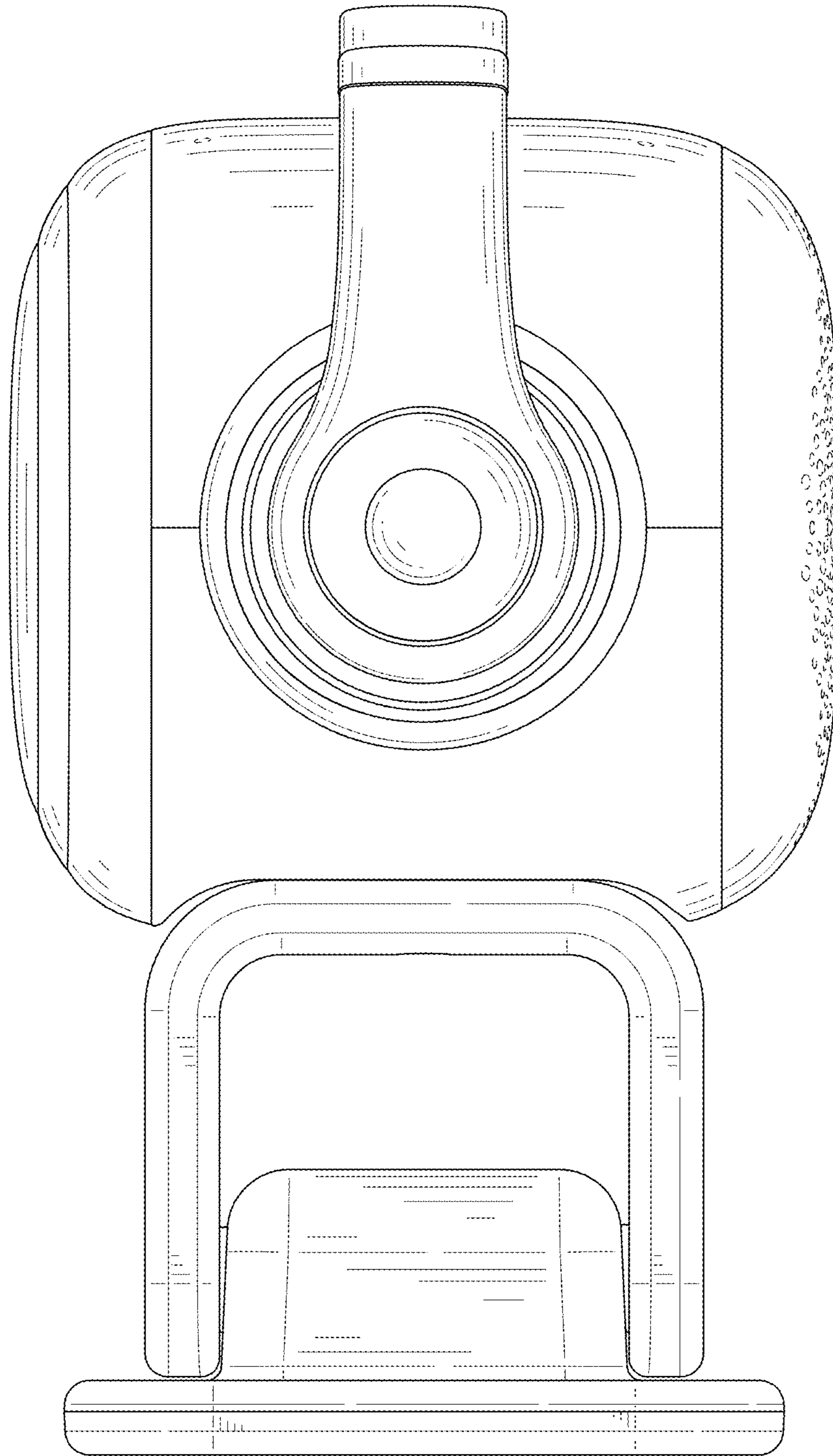


FIG. 6

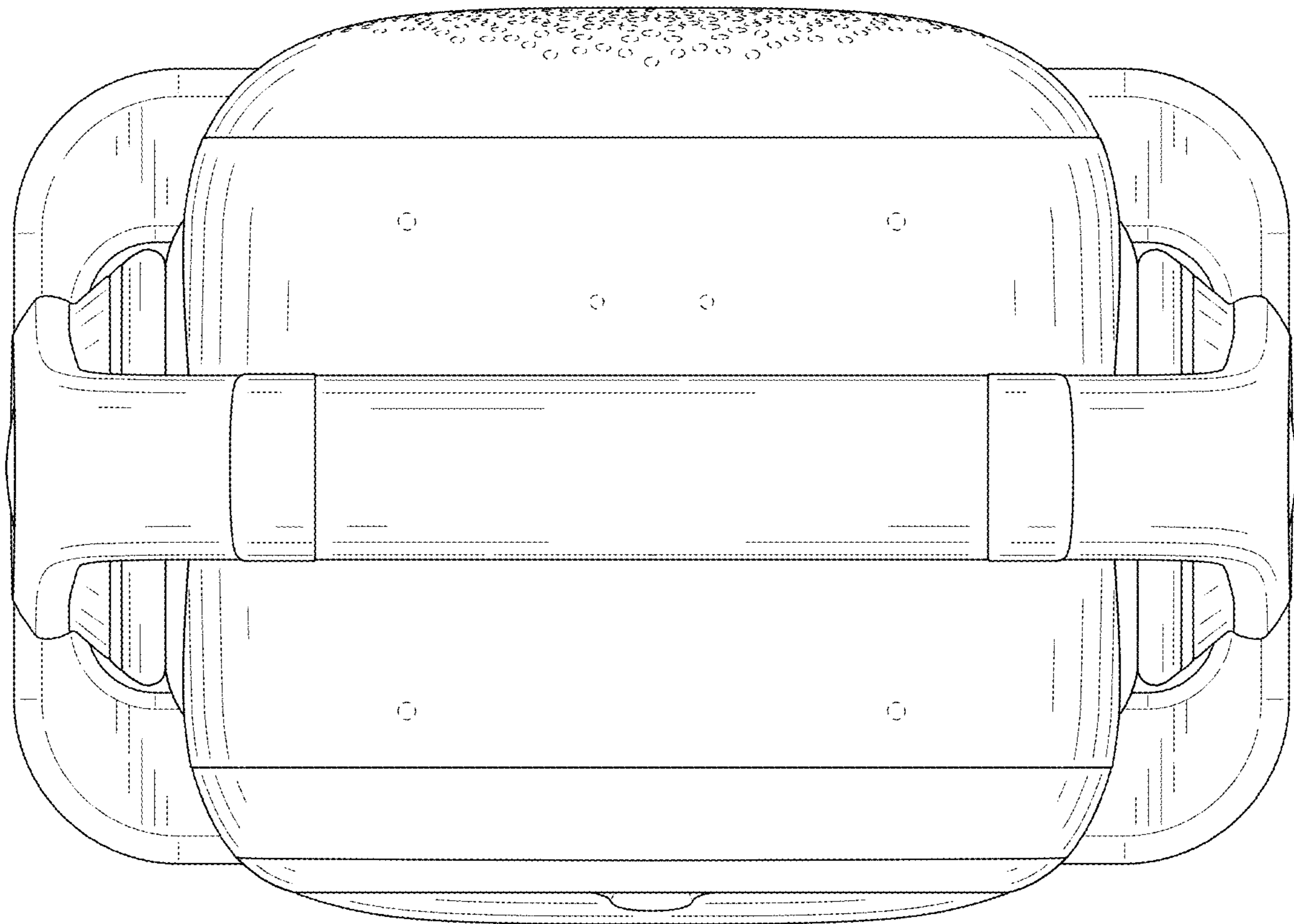


FIG. 7

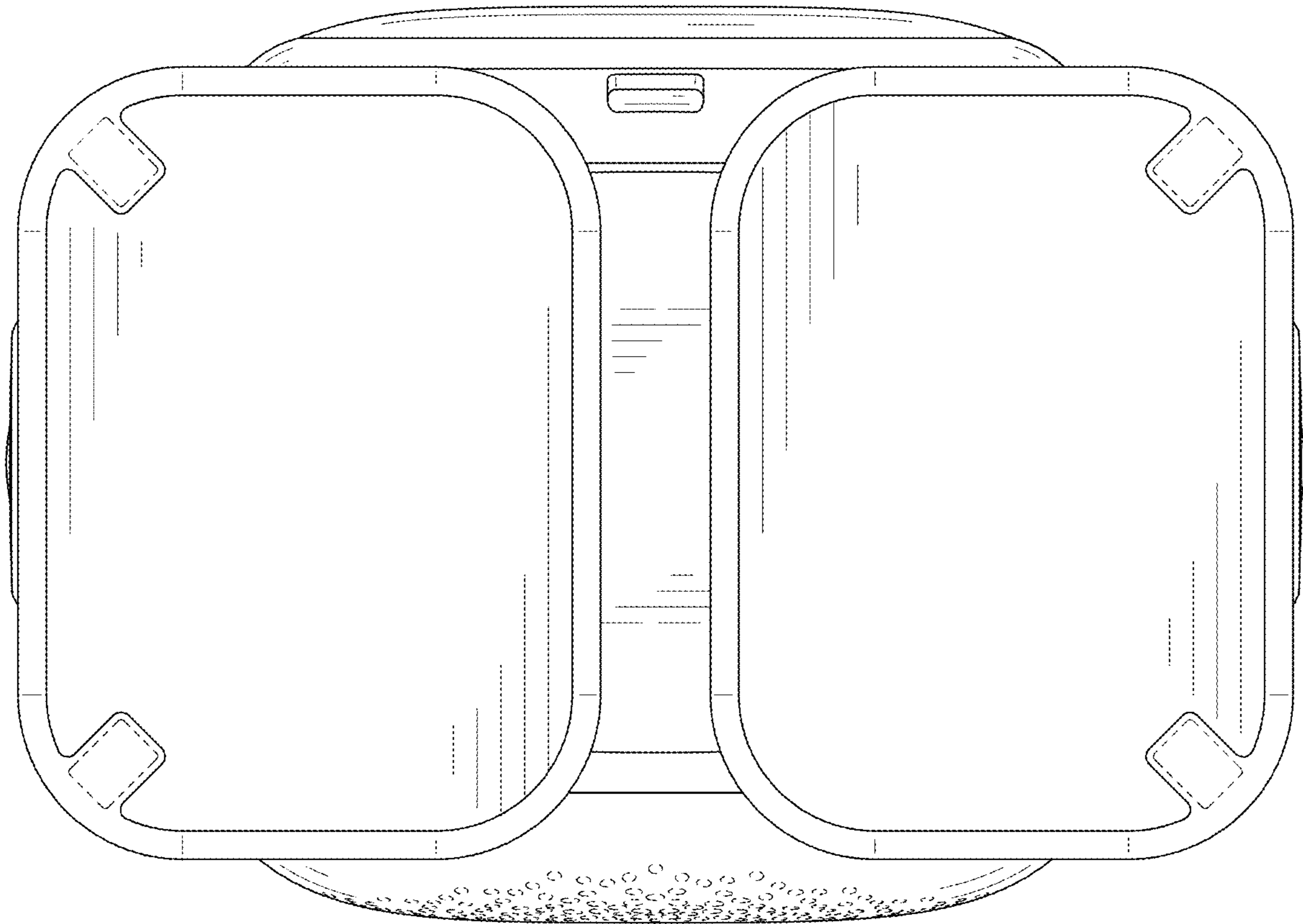


FIG. 8