



US00D933727S

(12) **United States Design Patent**  
**Liao et al.**

(10) **Patent No.:** **US D933,727 S**

(45) **Date of Patent:** **\*\* Oct. 19, 2021**

(54) **OIL COLLECTOR**

(71) Applicant: **KTL INTERNATIONAL CO., LTD.**,  
Taichung (TW)

(72) Inventors: **Ying-Chieh Liao**, Taichung (TW);  
**Yu-Kuo Liao**, Taichung (TW)

(73) Assignee: **KTL INTERNATIONAL CO., LTD.**,  
Taichung (TW)

(\*\*) Term: **15 Years**

(21) Appl. No.: **29/686,069**

(22) Filed: **Apr. 2, 2019**

(30) **Foreign Application Priority Data**

Dec. 27, 2018 (TW) ..... 107307658

(51) **LOC (13) Cl.** ..... **15-09**

(52) **U.S. Cl.**  
USPC ..... **D15/150**

(58) **Field of Classification Search**  
USPC ..... D10/46.2, 46.3; D7/667; D24/121–123;  
D15/150–152

CPC ..... F16N 31/00; F16N 31/002; F16N 31/004;  
F16N 31/006; B65D 25/42; B44D 3/12  
See application file for complete search history.

(56) **References Cited**

**U.S. PATENT DOCUMENTS**

D264,180 S *	5/1982	Bartz	.....	D15/152
D363,944 S *	11/1995	McCarter	.....	D15/150
6,454,121 B1 *	9/2002	Kurtz	.....	B65D 1/22 220/571
D612,489 S *	3/2010	Partington	.....	D24/121
D615,825 S *	5/2010	Curtin	.....	D7/667
D637,636 S *	5/2011	Liao	.....	D15/150
D638,042 S *	5/2011	Liao	.....	D15/152
D652,746 S *	1/2012	Lee	.....	D10/46.2
D661,328 S *	6/2012	Liao	.....	D15/152

D683,777 S *	6/2013	Forbis	.....	D15/150
D731,261 S *	6/2015	Hauser	.....	D7/667
D752,928 S *	4/2016	Lee	.....	D7/667
D778,970 S *	2/2017	Levy	.....	D15/150
D787,957 S *	5/2017	Tsengas	.....	D10/46.2

(Continued)

**OTHER PUBLICATIONS**

Midwest Can, 5 Gal Black Polyethylene Oil Drain Pan, (site visited Jun. 17, 2021), Country Farm and Garden website, URL:<<https://www.countryfarmandgarden.net/p/midwest-can-black-polyethylene-oil-drain-pan-079223063956>> (Year: 2021).\*

(Continued)

*Primary Examiner* — Sheryl Lane

*Assistant Examiner* — Mark T. Philipps

(74) *Attorney, Agent, or Firm* — Muncy, Geissler, Olds & Lowe, P.C.

(57) **CLAIM**

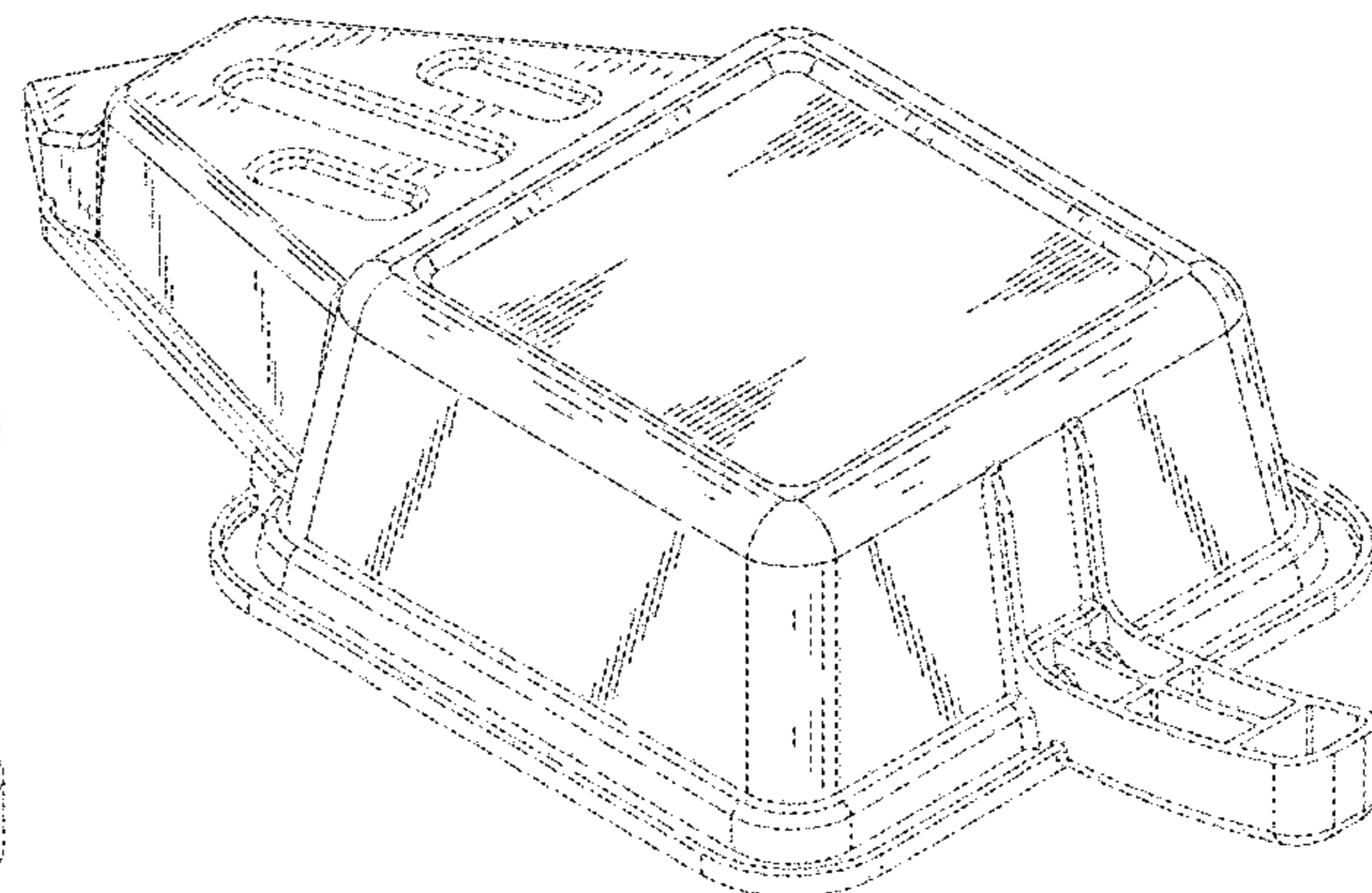
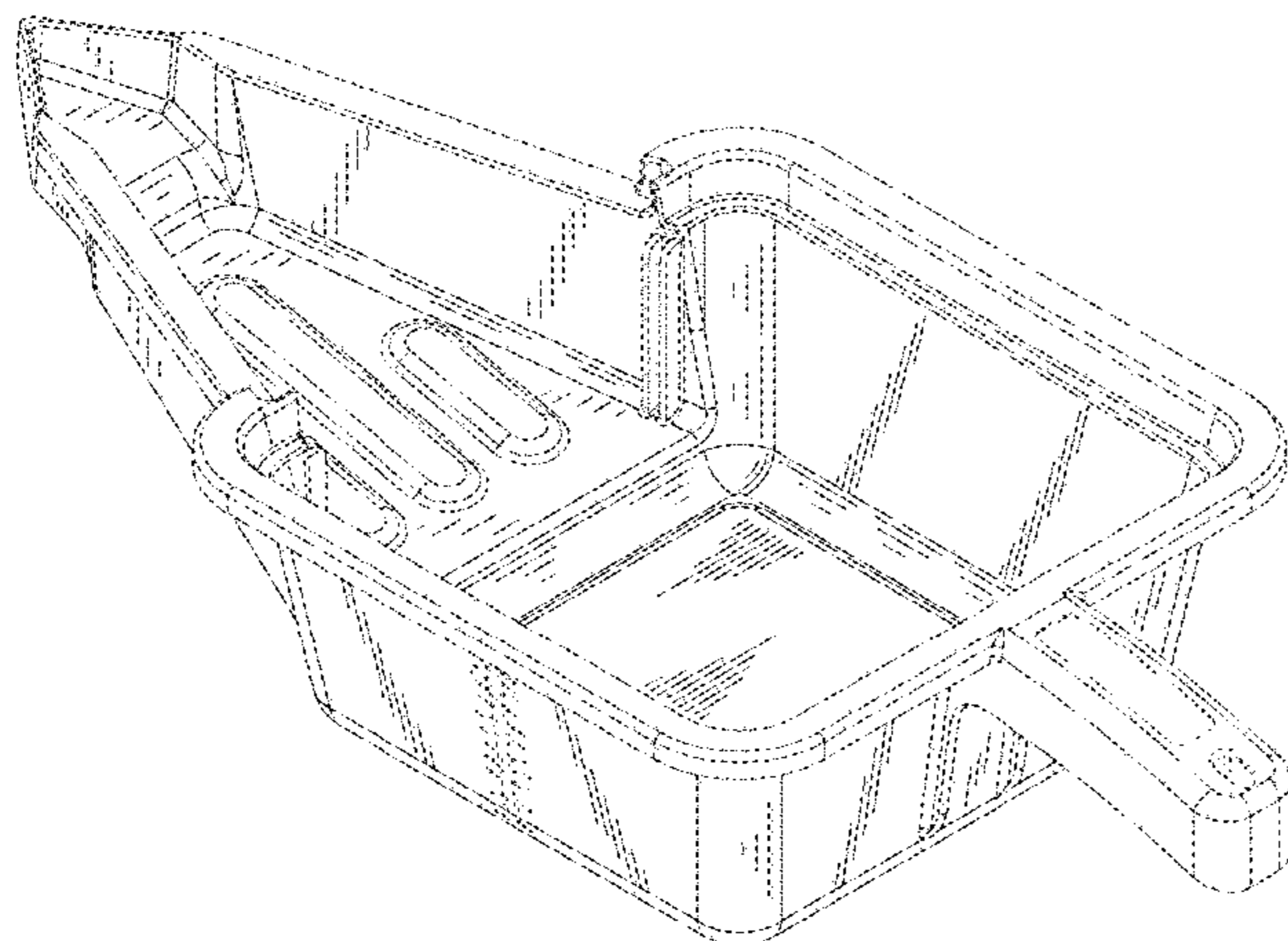
We claim the ornamental design for an oil collector, as shown and described.

**DESCRIPTION**

FIG. 1 is a top, front, right perspective view of an oil collector showing our new design;  
FIG. 2 is a front elevational view thereof;  
FIG. 3 is a rear elevational view thereof;  
FIG. 4 is a left side view thereof;  
FIG. 5 is a right side view thereof;  
FIG. 6 is a top plan view thereof;  
FIG. 7 is a bottom plan view thereof;  
FIG. 8 is a top, rear, left perspective view thereof;  
FIG. 9 is a bottom, rear, right perspective view thereof; and,  
FIG. 10 is a top, rear, left perspective view showing the oil collector in use.

The broken lines in the drawings illustrate portions of the oil collector which form no part of the claimed design.

**1 Claim, 10 Drawing Sheets**



(56)

**References Cited**

U.S. PATENT DOCUMENTS

D790,790 S \* 6/2017 Goda ..... D32/53.1  
D810,285 S \* 2/2018 Adams ..... D24/123  
D898,906 S \* 10/2020 Reaux ..... D24/123  
D902,970 S \* 11/2020 McCormick ..... D15/150  
2006/0124649 A1\* 6/2006 Campbell ..... B44D 3/126  
220/570  
2010/0140275 A1\* 6/2010 Billado, Jr. .... B44D 3/127  
220/570  
2014/0027335 A1\* 1/2014 Chen ..... B65D 1/42  
206/505  
2018/0207976 A1\* 7/2018 Robertson ..... B44D 3/126

OTHER PUBLICATIONS

Oemtools, 87017 Low Profile Oil Drain Pan 2.8 Quart, Black, (first available Jun. 14, 2016), Amazon.com, URL:<<https://www.amazon.com/OEMTOOLS-87017-Quart-Profile-Drain/dp/B01H2KY8XK/>> (Year: 2016).\*

\* cited by examiner

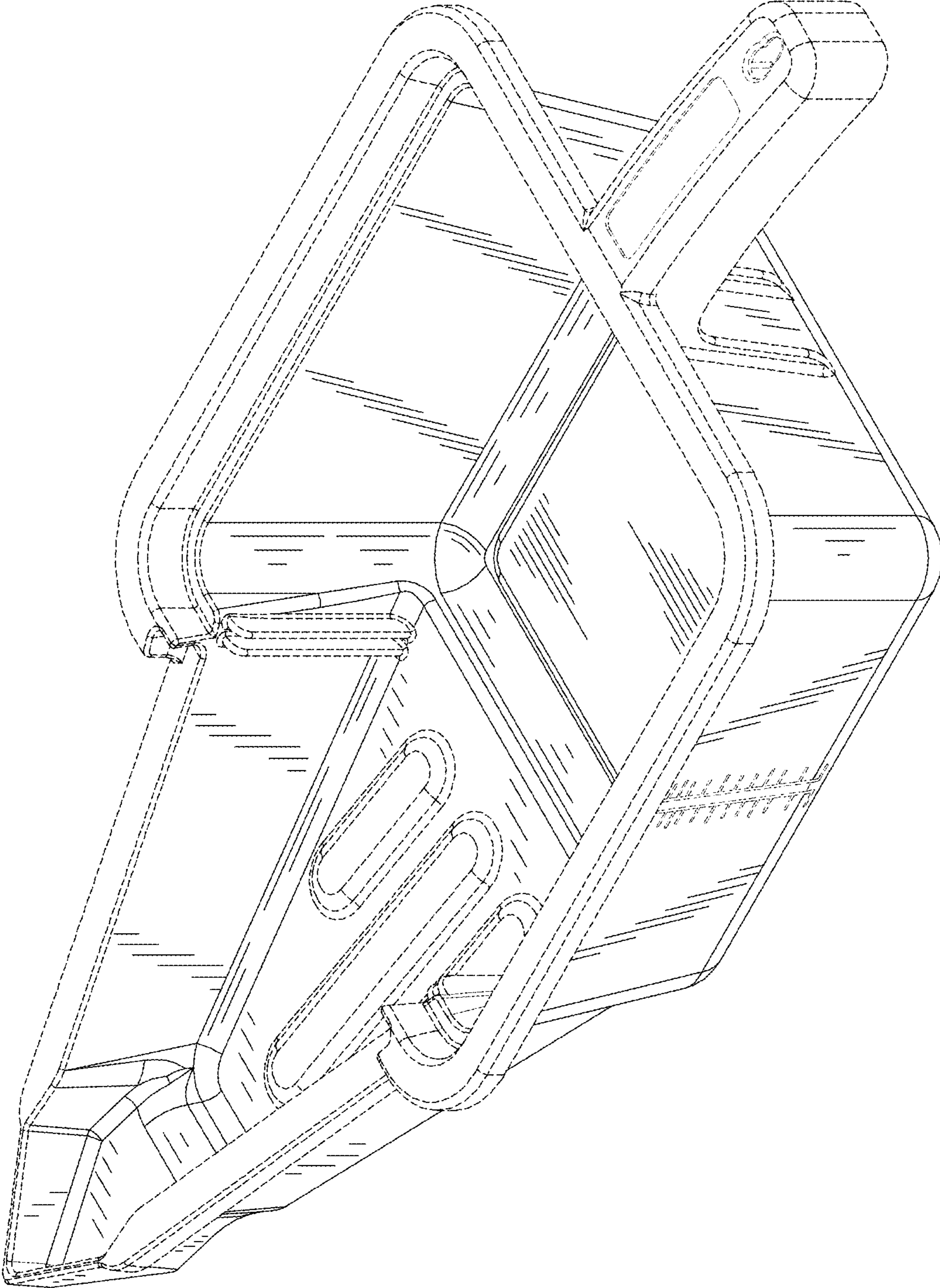


FIG. 1

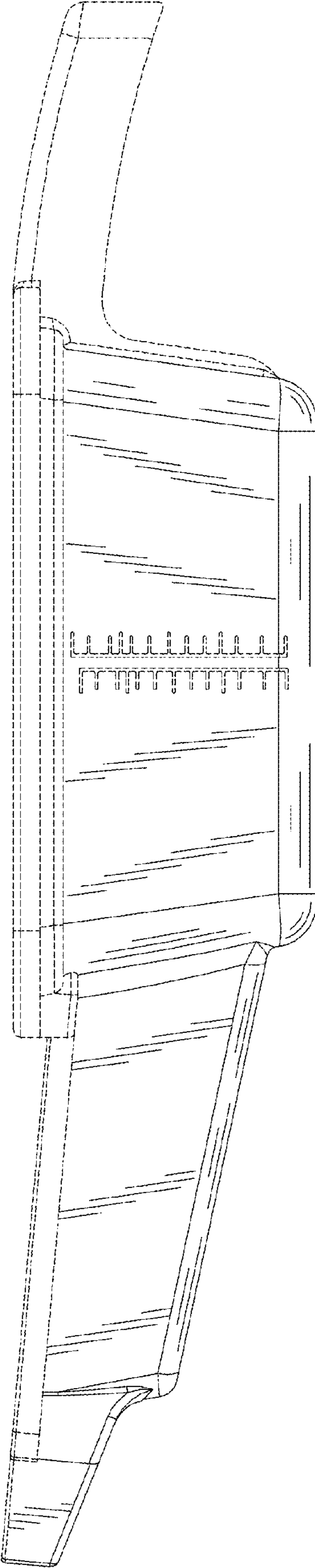


FIG. 2

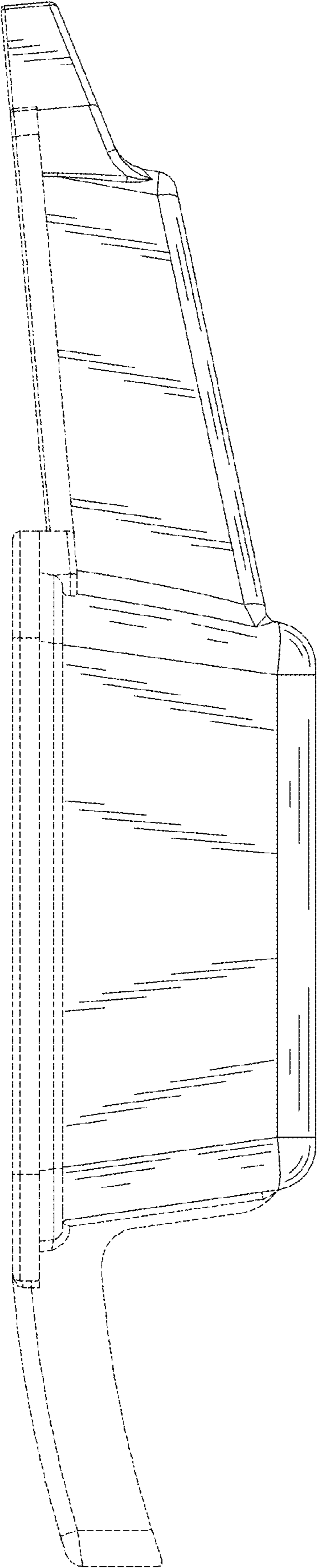


FIG. 3

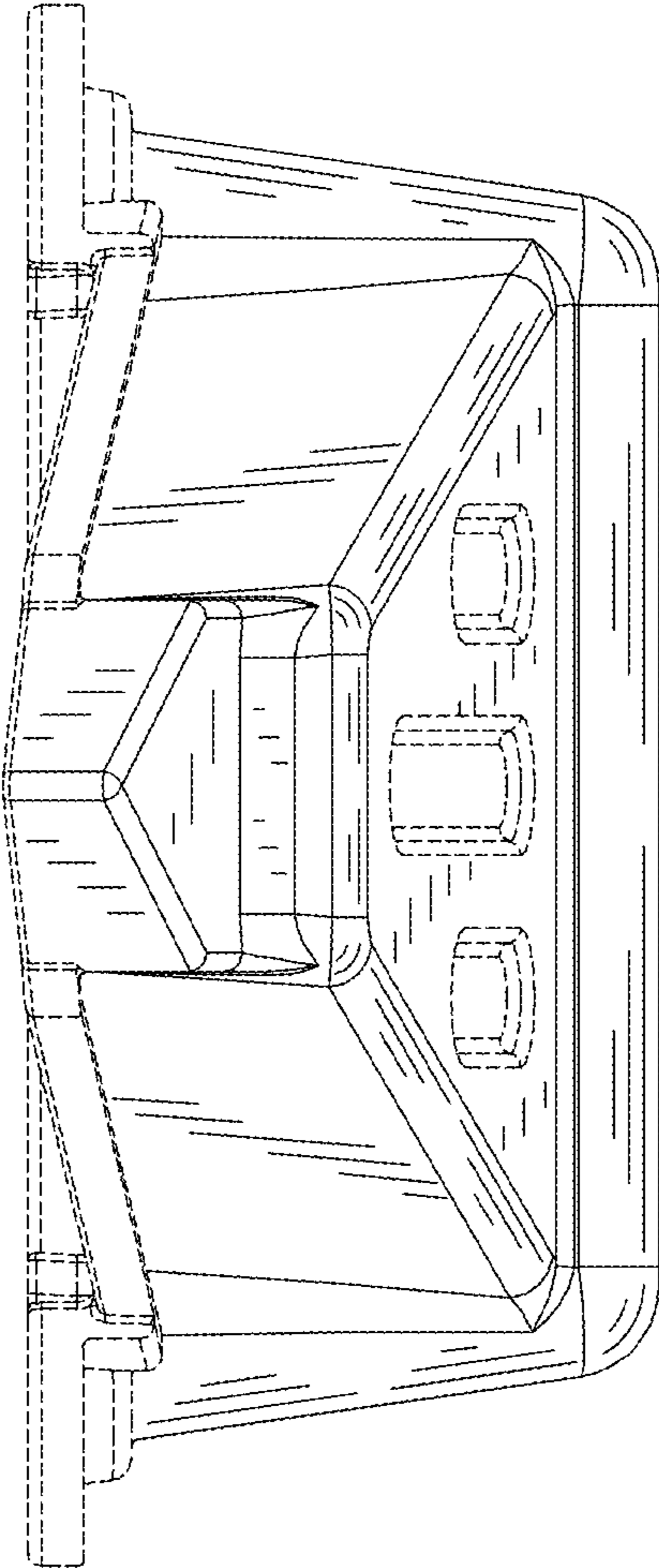


FIG. 4

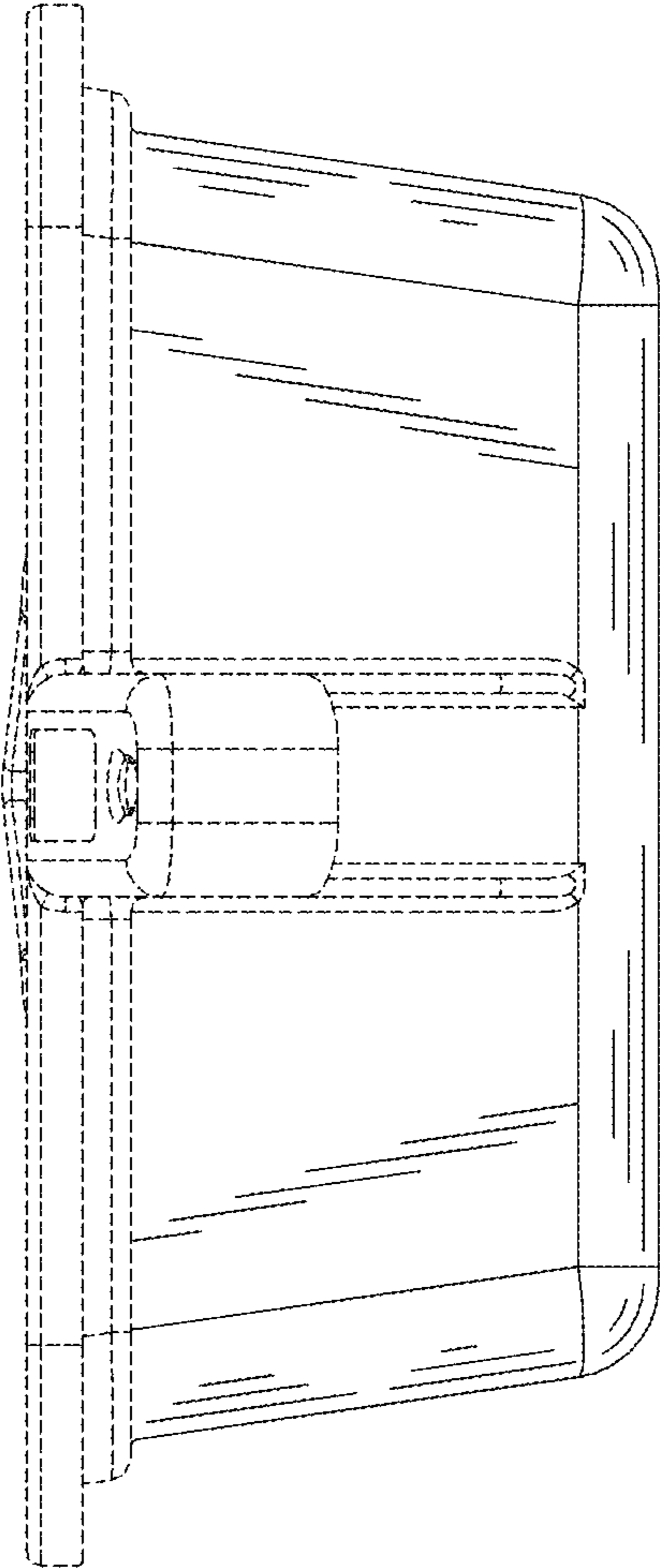


FIG. 5

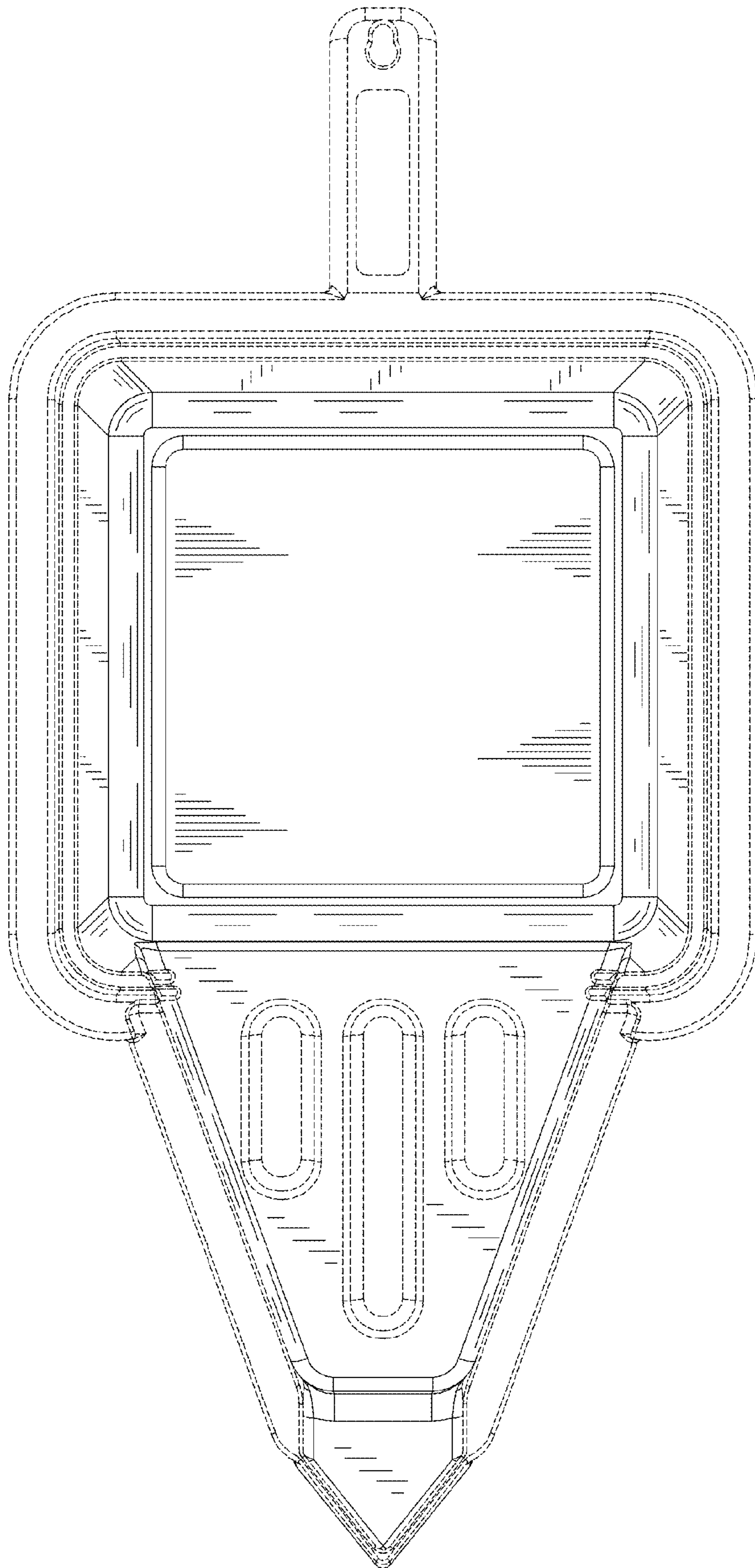


FIG. 6



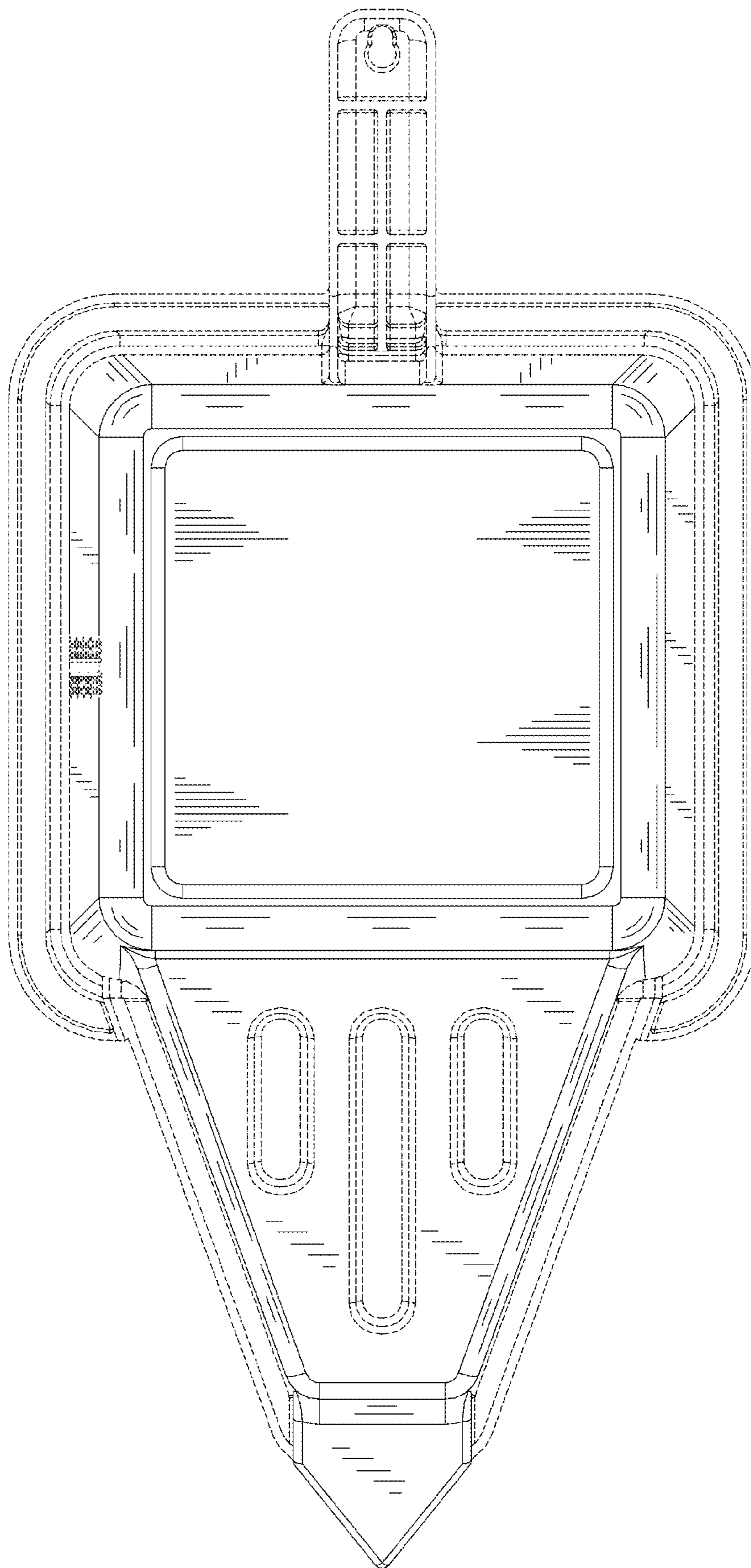


FIG. 7

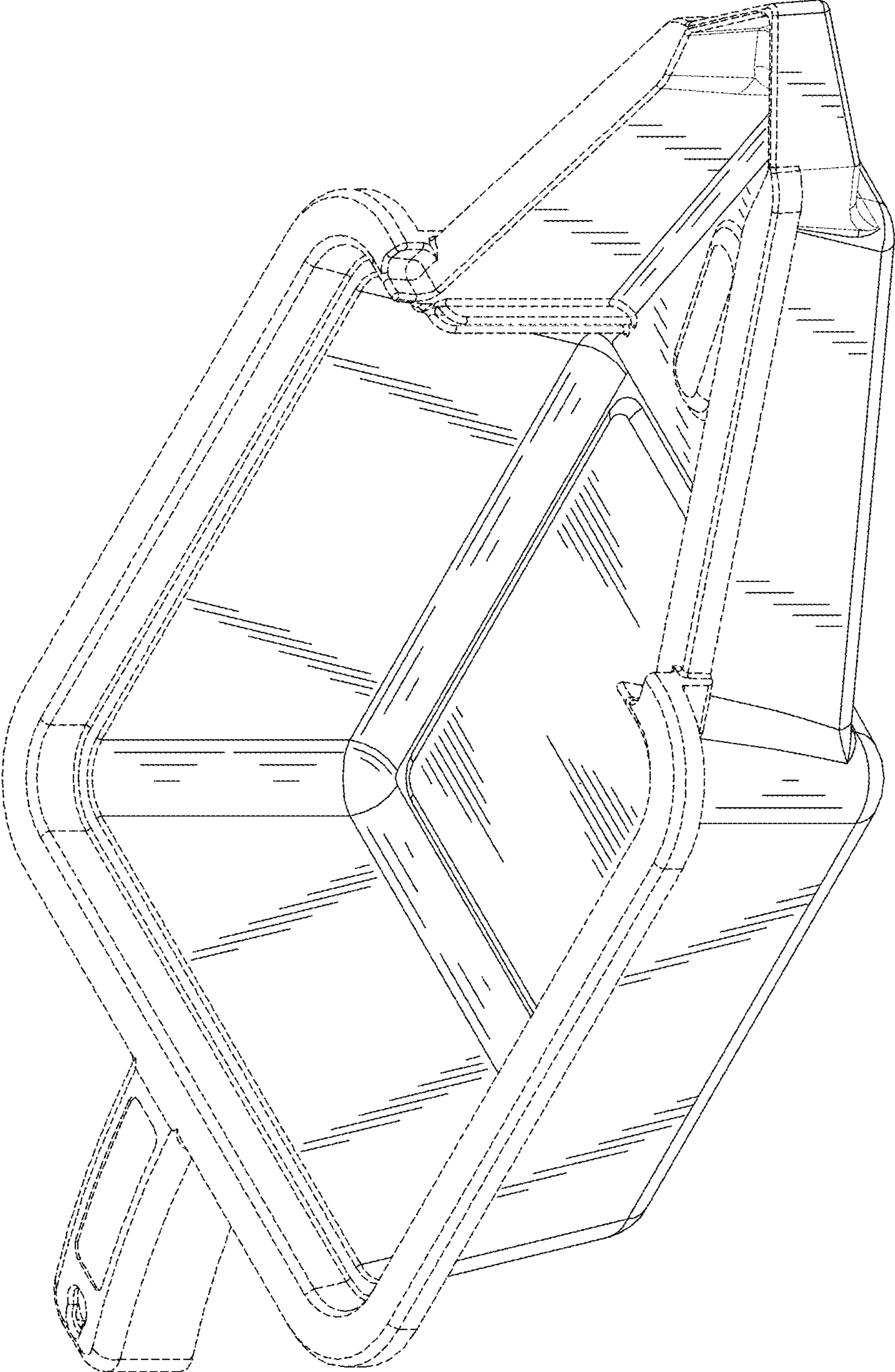


FIG. 8

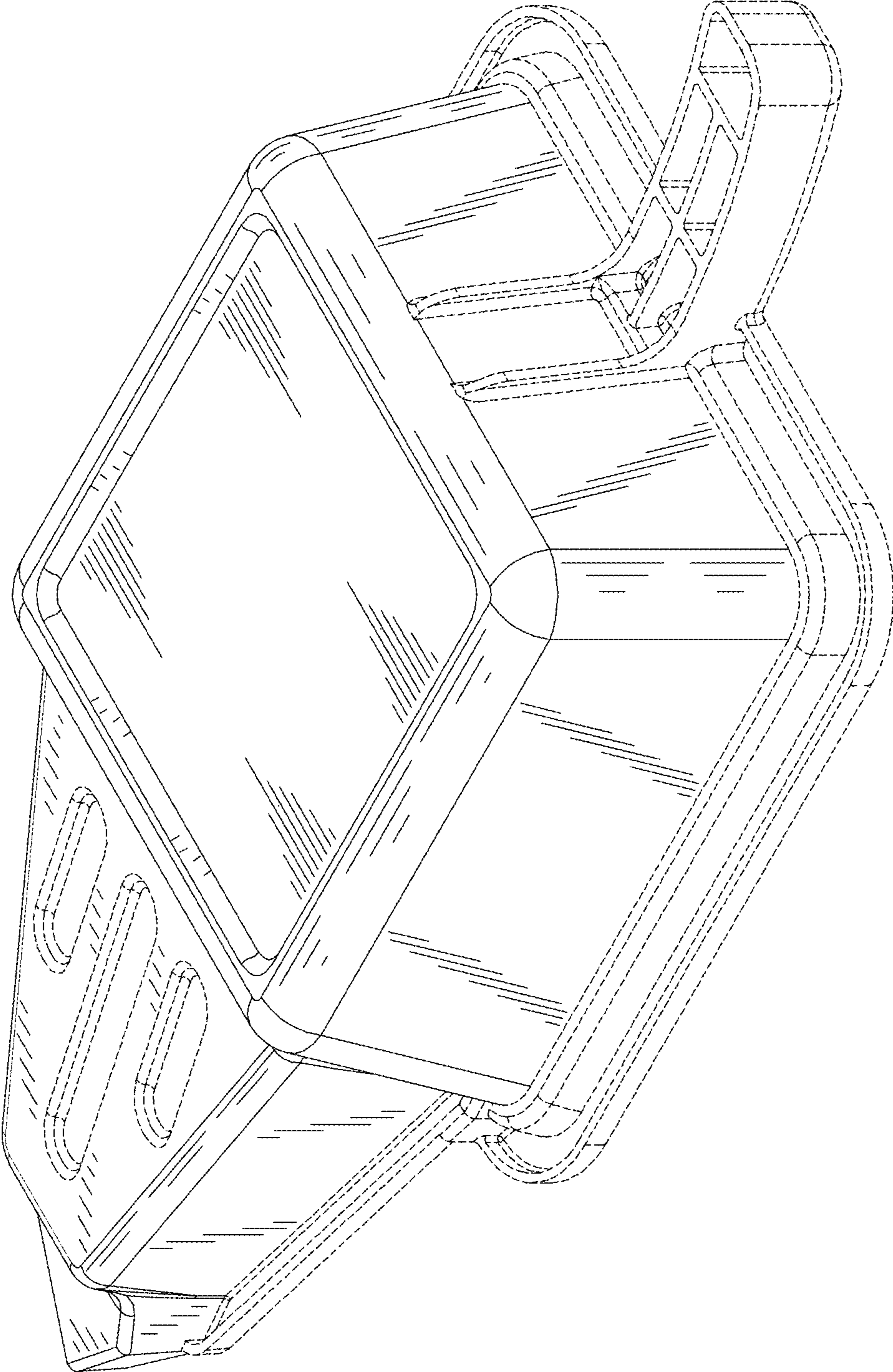


FIG. 9

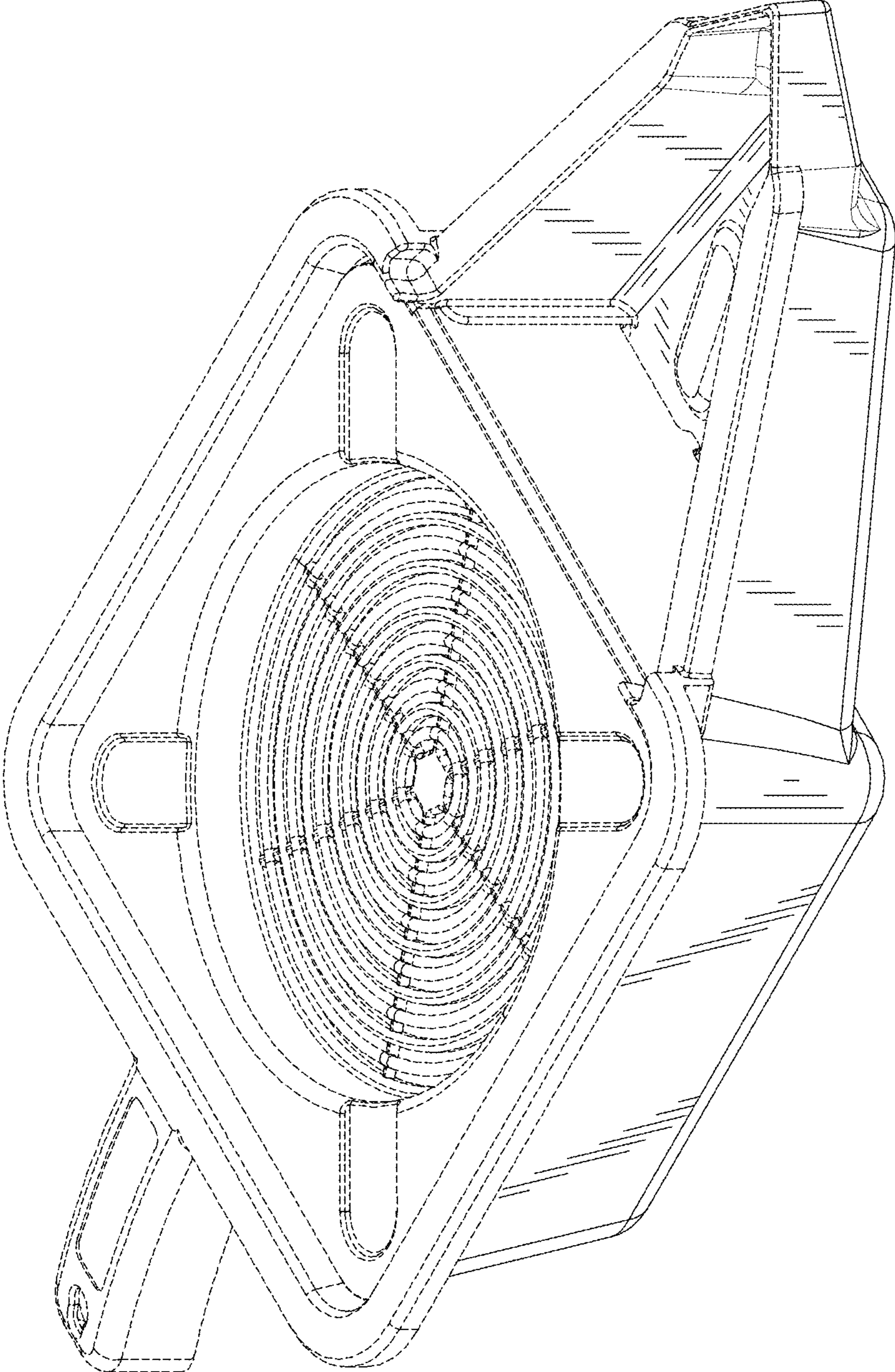


FIG. 10