



US00D933724S

(12) **United States Design Patent**
Shin et al.

(10) **Patent No.:** **US D933,724 S**

(45) **Date of Patent:** **** *Oct. 19, 2021**

(54) **MACHINE CENTER**

(56) **References Cited**

(71) Applicant: **DOOSAN MACHINE TOOLS CO., LTD.**, Chang-Won-si (KR)

U.S. PATENT DOCUMENTS

(72) Inventors: **Seungwook Shin**, Changwon-si (KR);
Heedong Son, Changwon-si (KR)

D546,300 S *	7/2007	Yokota	D14/126
D552,570 S *	10/2007	Niitsu	D14/126
D628,764 S *	12/2010	Bleck	D99/28
D631,634 S *	1/2011	Bleck	D99/28
D678,652 S *	3/2013	Budde	D99/28
D681,699 S *	5/2013	Lin	D15/122
D711,947 S *	8/2014	Son	D15/199
D769,872 S *	10/2016	Swyst	D14/371
D773,328 S *	12/2016	DeLeon	D10/104.1
D866,622 S *	11/2019	Son	D15/122
D873,921 S *	1/2020	Bernard	D21/369
D886,905 S *	6/2020	Bernard	D21/369
D904,328 S *	12/2020	Margis	B64D 11/00154 D14/126

(73) Assignee: **DOOSAN MACHINE TOOLS CO., LTD.**, Chang-Won-si (KR)

(*) Notice: This patent is subject to a terminal disclaimer.

(**) Term: **15 Years**

* cited by examiner

(21) Appl. No.: **29/712,048**

Primary Examiner — Michael C Stout
Assistant Examiner — Fritzgerald L Butac

(22) Filed: **Nov. 5, 2019**

(74) *Attorney, Agent, or Firm* — STIP Law Group, LLC

(30) **Foreign Application Priority Data**

May 14, 2019 (KR) 30-2019-0022542

(51) **LOC (13) Cl.** **15-09**

(52) **U.S. Cl.**
USPC **D15/122**

(58) **Field of Classification Search**
USPC D12/300, 317; D15/4, 5, 9, 122, 124,
D15/127-131, 135, 139-141, 143, 144,
D15/199; D23/206, 213, 214, 233-235,
D23/245, 249, 257, 259, 260, 270;
D8/499; D13/184; D18/50;
D14/900-902

CPC G09F 27/00; G09F 9/30; G07F 19/20
See application file for complete search history.

(57) **CLAIM**

The ornamental design for machine center, as shown and described.

DESCRIPTION

FIG. 1 is a perspective view of the machine center showing the present design.
FIG. 2 is a front view thereof.
FIG. 3 is a rear view thereof.
FIG. 4 is a left side view thereof.
FIG. 5 is a right side view thereof; and,
FIG. 6 is a top view of thereof.

1 Claim, 6 Drawing Sheets

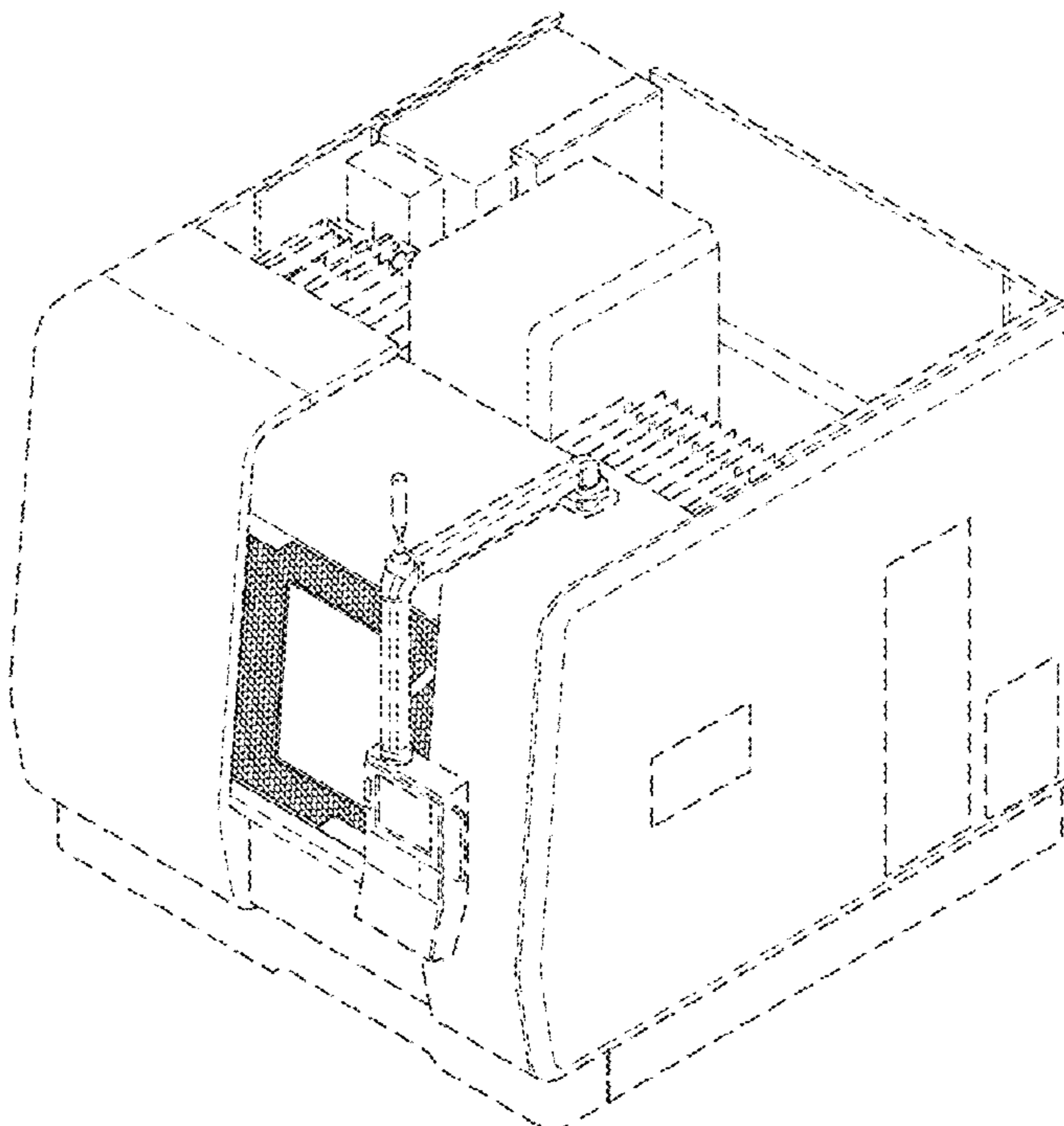


FIG. 1

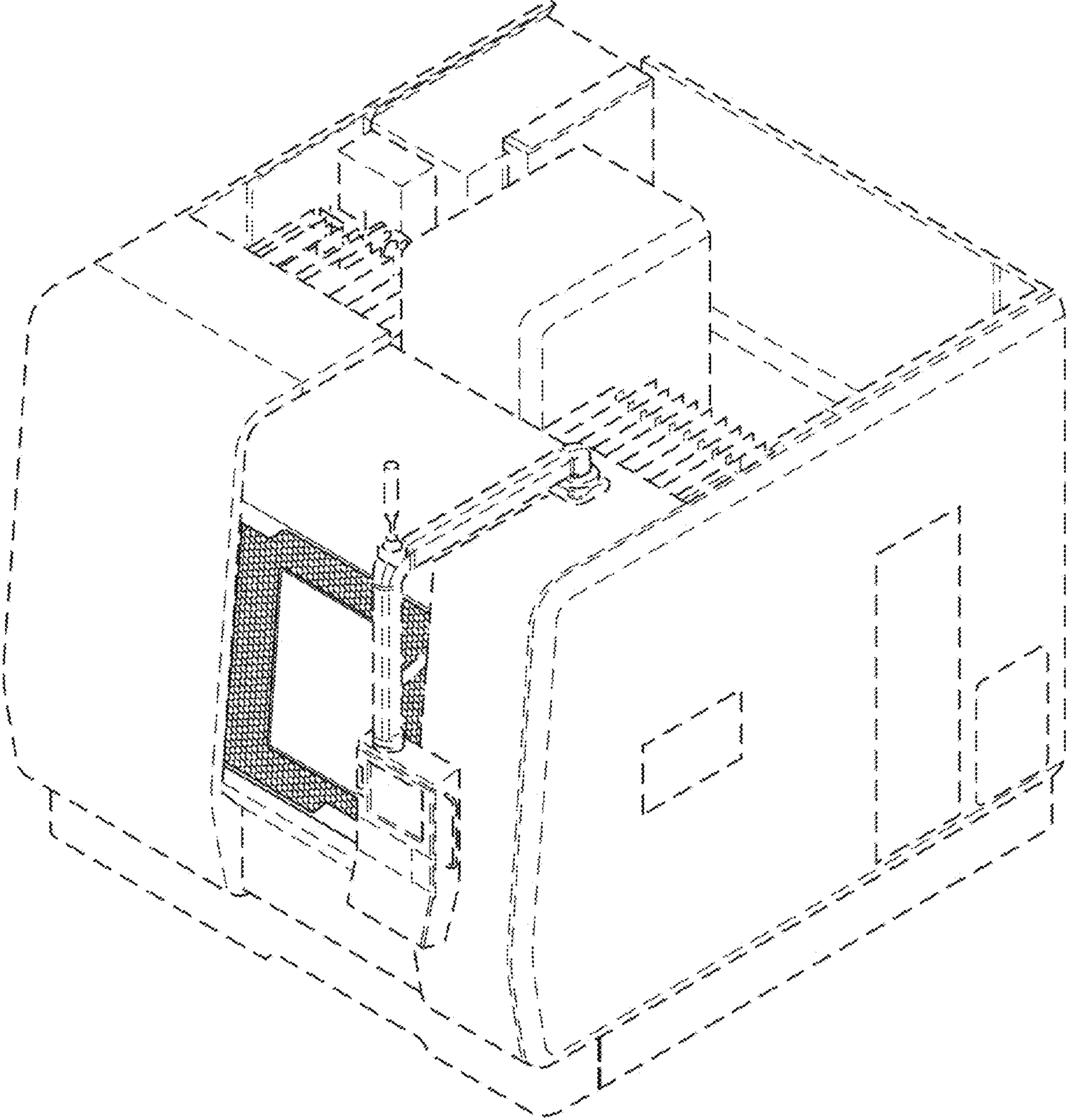


FIG. 2

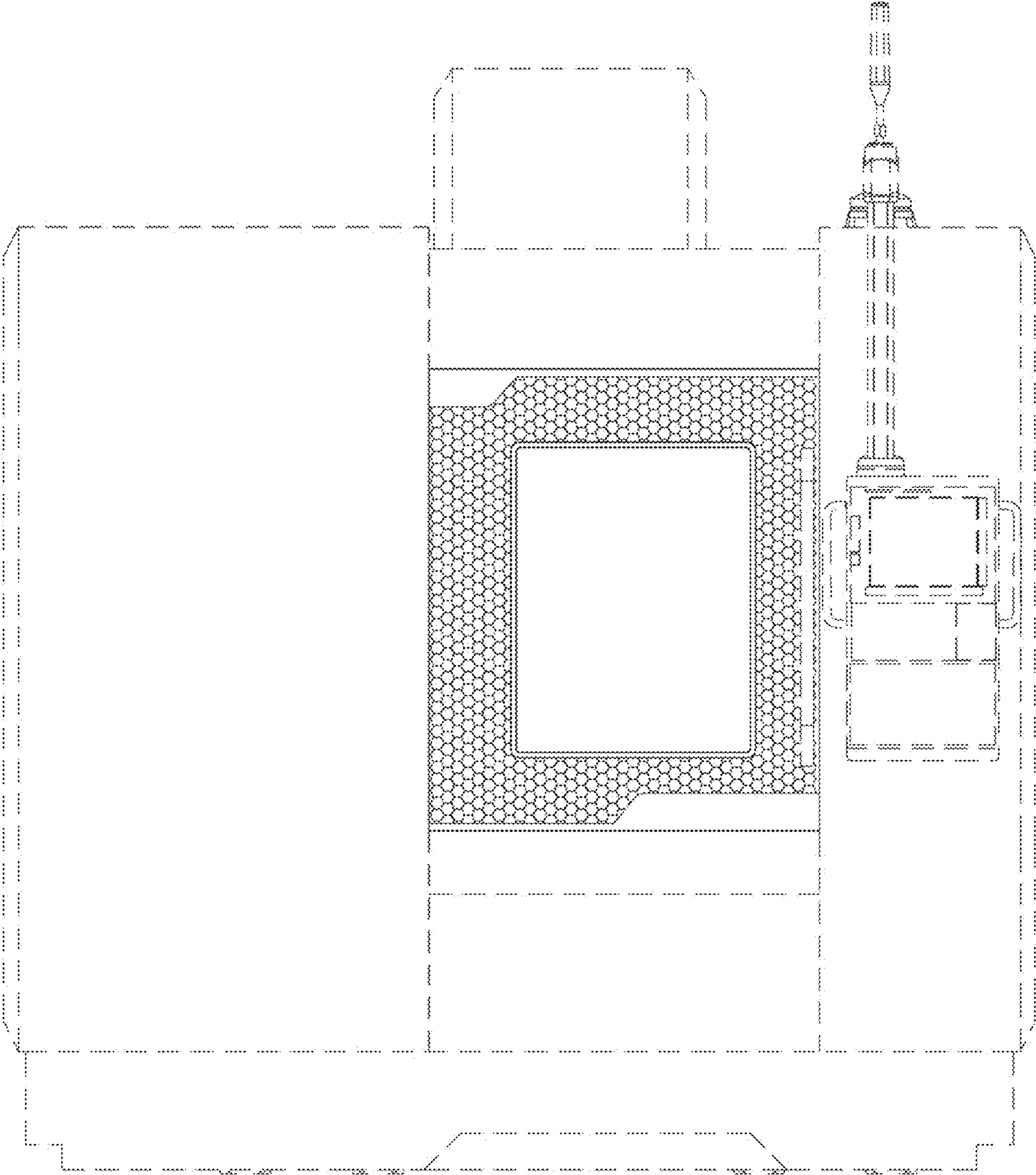


FIG. 3

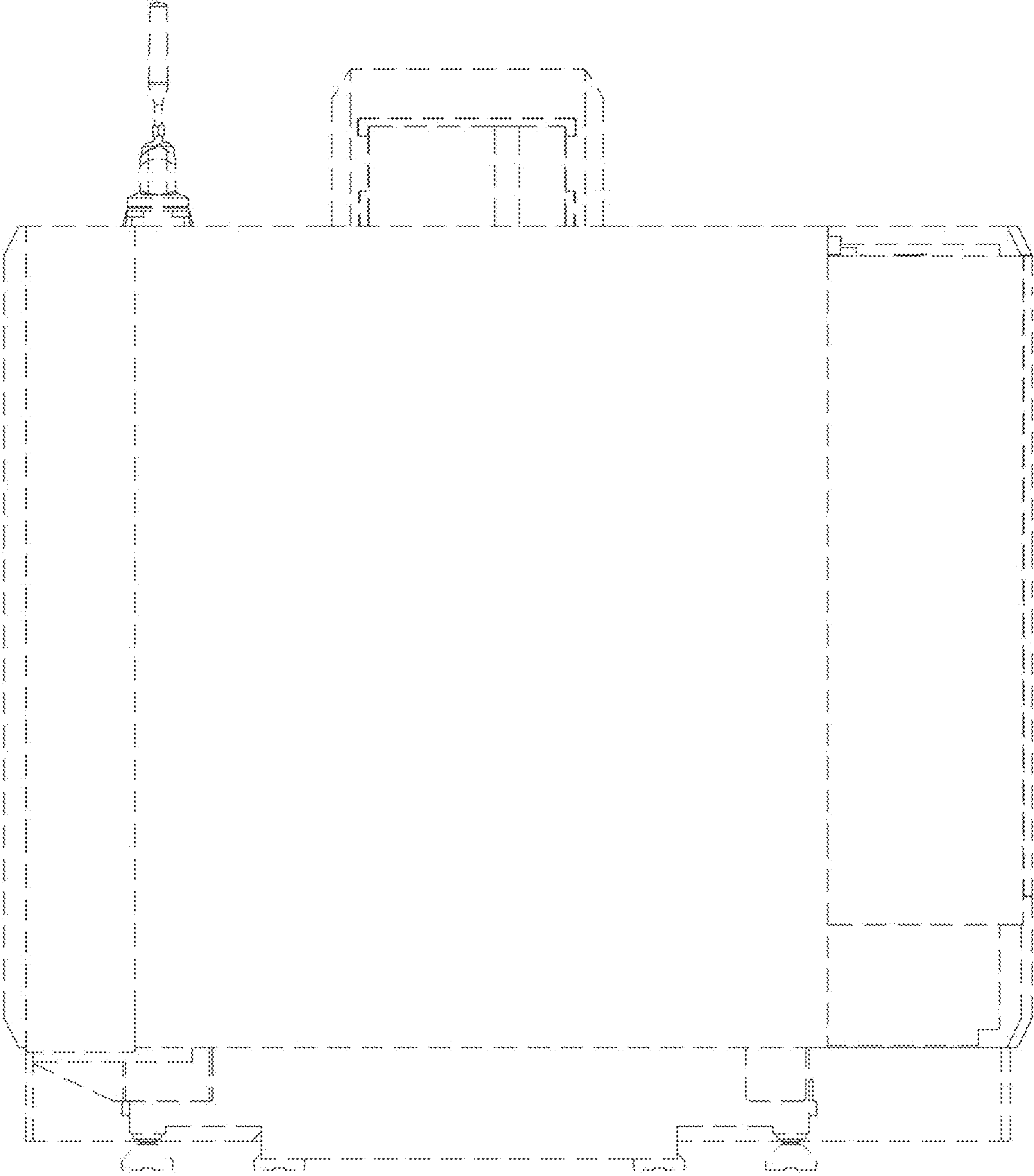


FIG. 4

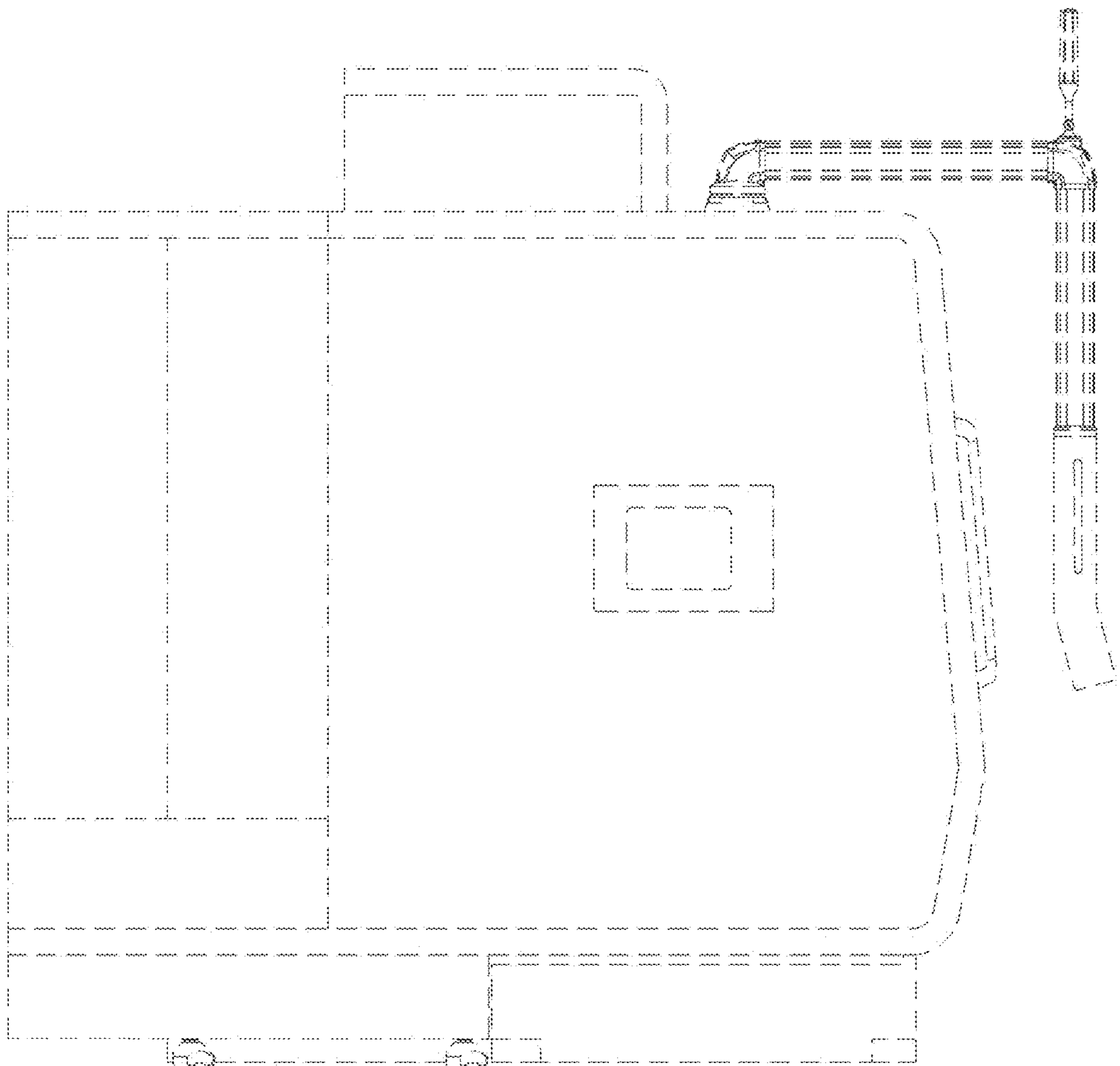


FIG. 5

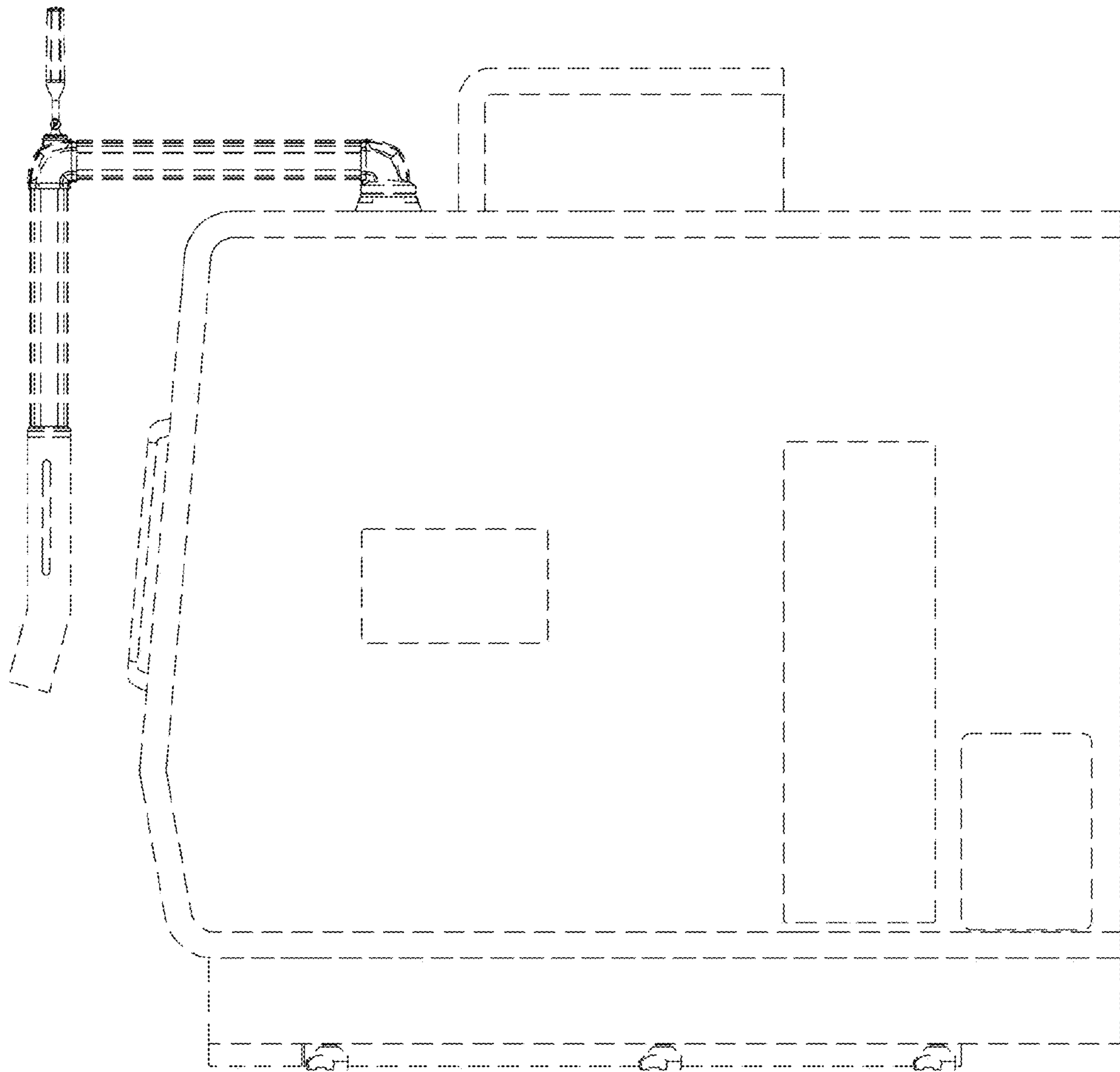


FIG. 6

