



US00D933723S

(12) **United States Design Patent**
Chen

(10) **Patent No.:** **US D933,723 S**

(45) **Date of Patent:** **** *Oct. 19, 2021**

(54) **3D PRINTER**

(71) Applicant: **Liang Chen**, Chengdu (CN)

(72) Inventor: **Liang Chen**, Chengdu (CN)

(*) Notice: This patent is subject to a terminal disclaimer.

(**) Term: **15 Years**

(21) Appl. No.: **29/633,494**

(22) Filed: **Jan. 15, 2018**

(51) **LOC (13) Cl.** **15-03**

(52) **U.S. Cl.**
USPC **D15/122**

(58) **Field of Classification Search**
USPC D15/122, 135, 138, 145, 146; D18/6, 7,
D18/14, 19, 50, 54.1, 55

CPC G06T 11/206; G06T 11/60; G06T 15/00;
G06T 2207/30201; G06T 7/0012; G06T
7/11; G06T 11/001; G06T 11/003; G06T
11/40; G06T 13/00; G06T 15/005; G06T
15/02; G06T 15/04; G06T 15/10; G06T
15/20; G06T 15/503; G06T 15/60; G06T
15/80; G06T 19/00; G06T 19/20; G06T
1/20; G06T 2200/24; G06T 2207/10024;
G06T 2207/10068; G06T 2207/10132;
G06T 2207/20221; G06T 2207/30028;
G06T 2207/30048; G06T 2207/30104;
G06T 7/00; G06T 7/149; G06T 7/248;
G06T 7/64

See application file for complete search history.

(56) **References Cited**

U.S. PATENT DOCUMENTS

5,885,511	A *	3/1999	Heller	B29C 41/36 264/308
8,252,223	B2 *	8/2012	Medina	B33Y 70/00 264/401
D786,950	S *	5/2017	Armani	D15/122
D791,203	S *	7/2017	Zhang	D15/122
D835,690	S *	12/2018	Issa	D15/122
D861,749	S *	10/2019	Besim	D15/122
2016/0096323	A1 *	4/2016	Fry	B29C 67/0059 264/308
2016/0221261	A1 *	8/2016	Yamamoto	B29C 64/40

* cited by examiner

Primary Examiner — Khawaja Anwar

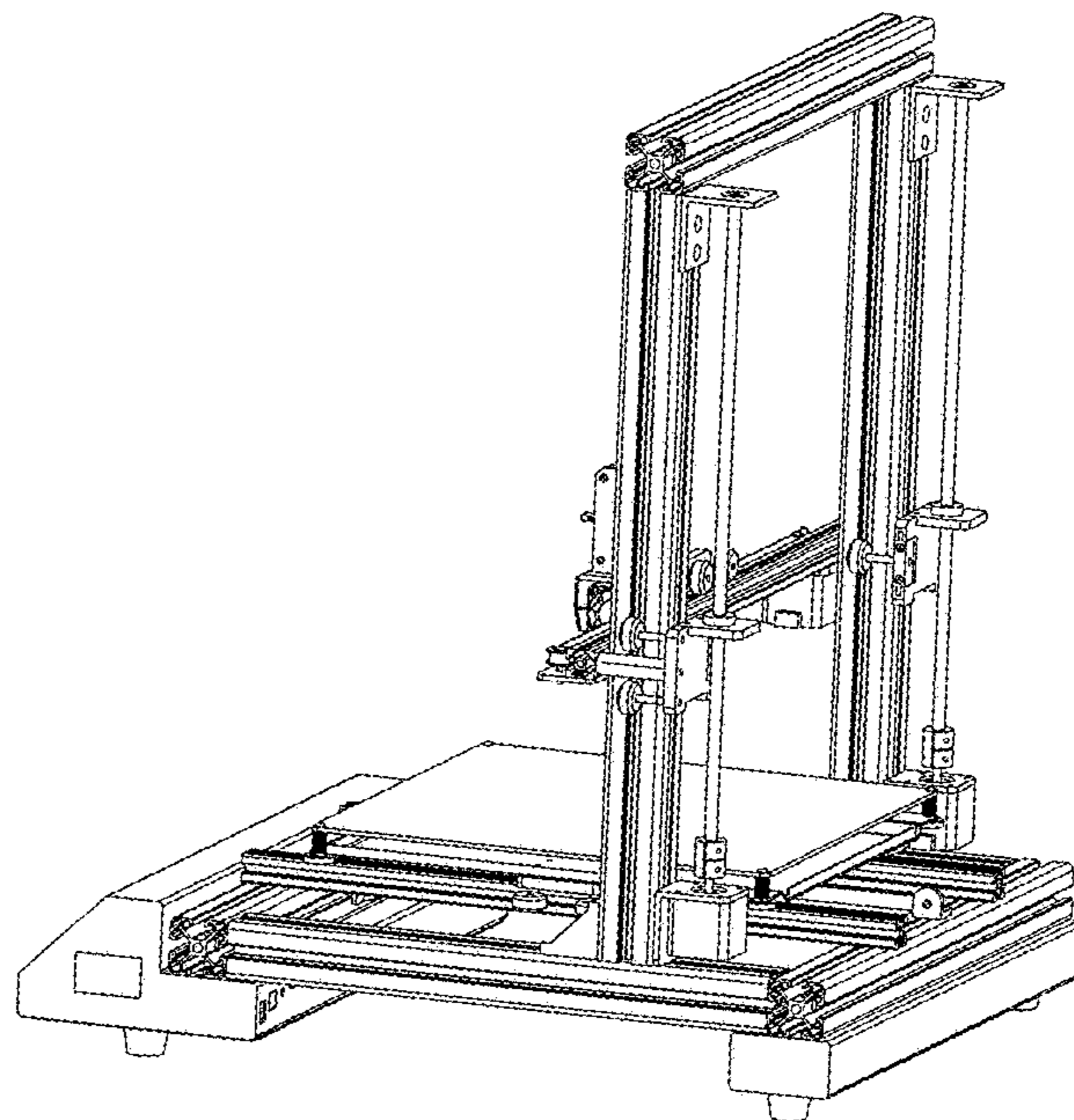
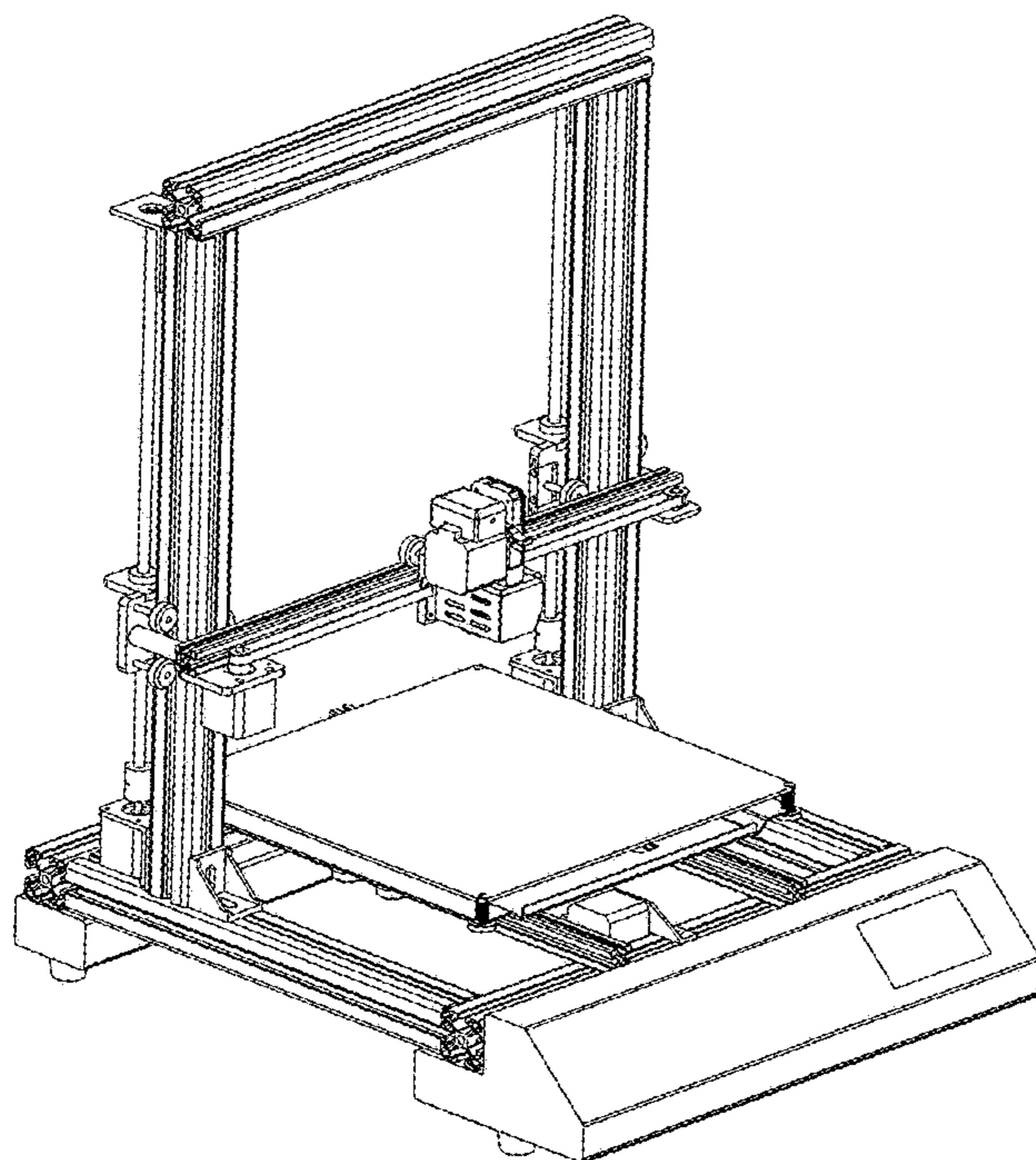
(57) **CLAIM**

The ornamental design for a 3D printer, as shown.

DESCRIPTION

FIG. 1 is a front elevational view of a 3D printer showing my new design;
FIG. 2 is a rear elevational view thereof;
FIG. 3 is a left side view thereof;
FIG. 4 is a right side view thereof;
FIG. 5 is a top plan view thereof;
FIG. 6 is a bottom plan view thereof;
FIG. 7 is a perspective view thereof;
FIG. 8 is a second perspective view thereof;
FIG. 9 is a third perspective view thereof; and,
FIG. 10 is a fourth perspective view thereof.

1 Claim, 10 Drawing Sheets



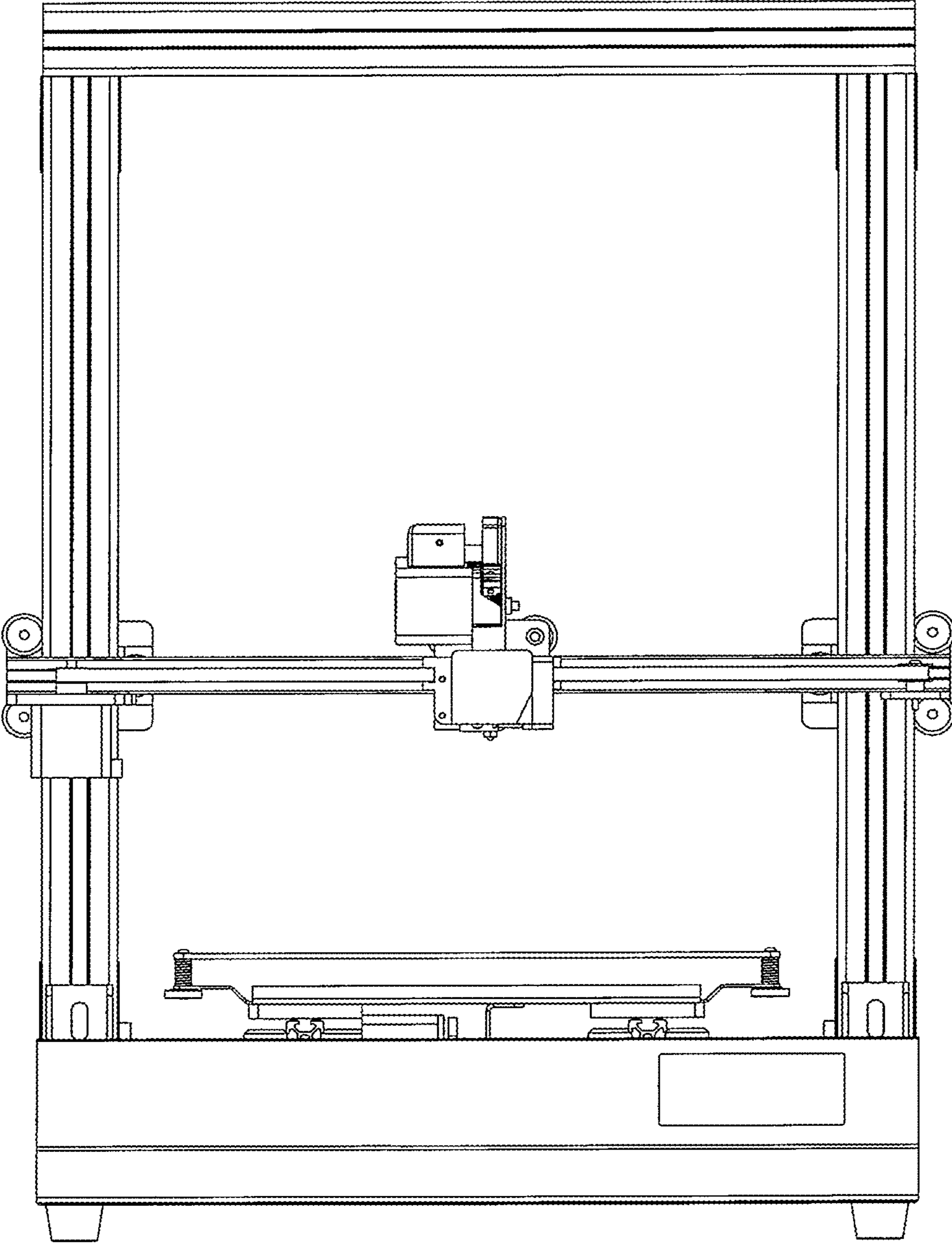


FIG. 1

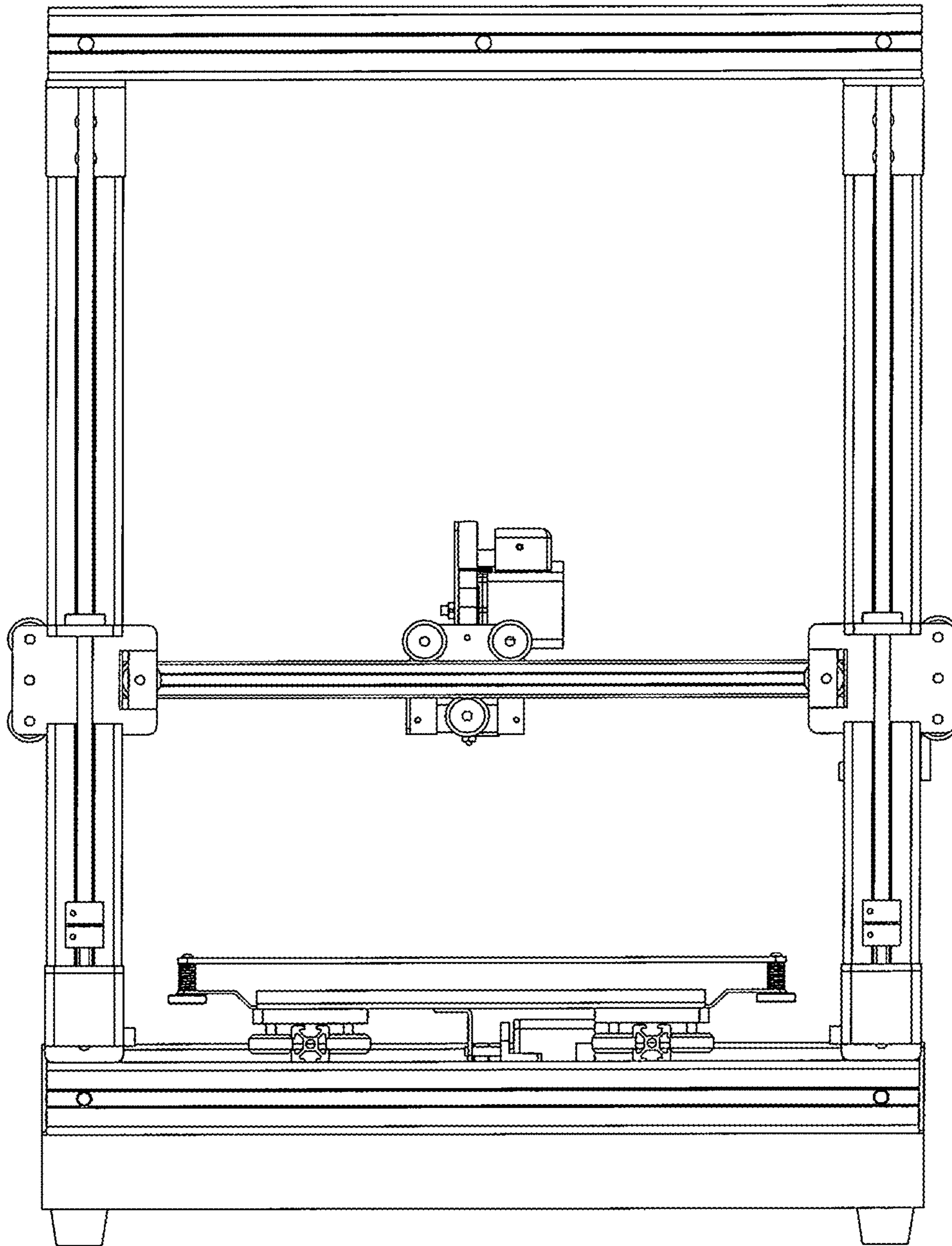


FIG. 2

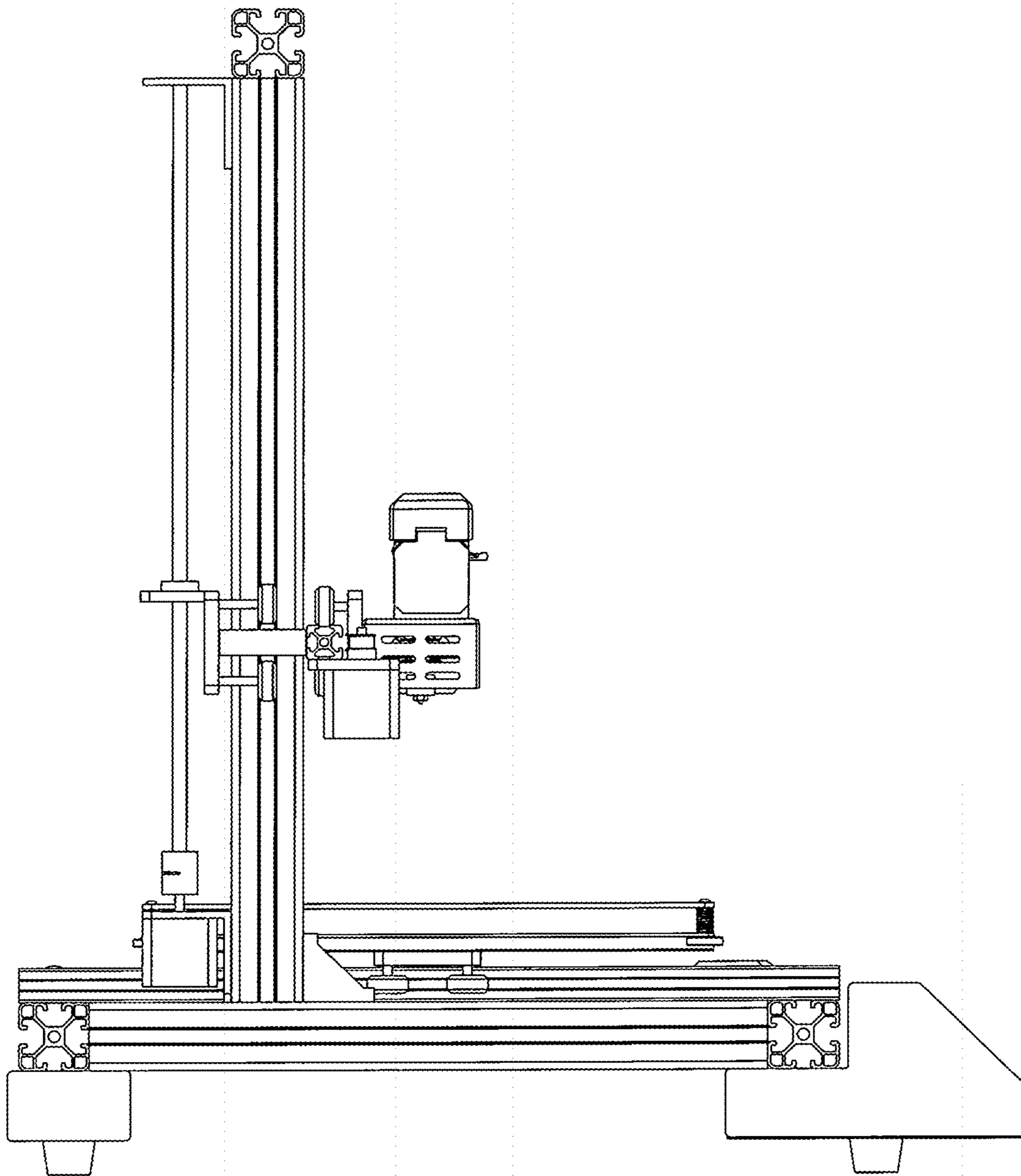


FIG. 3

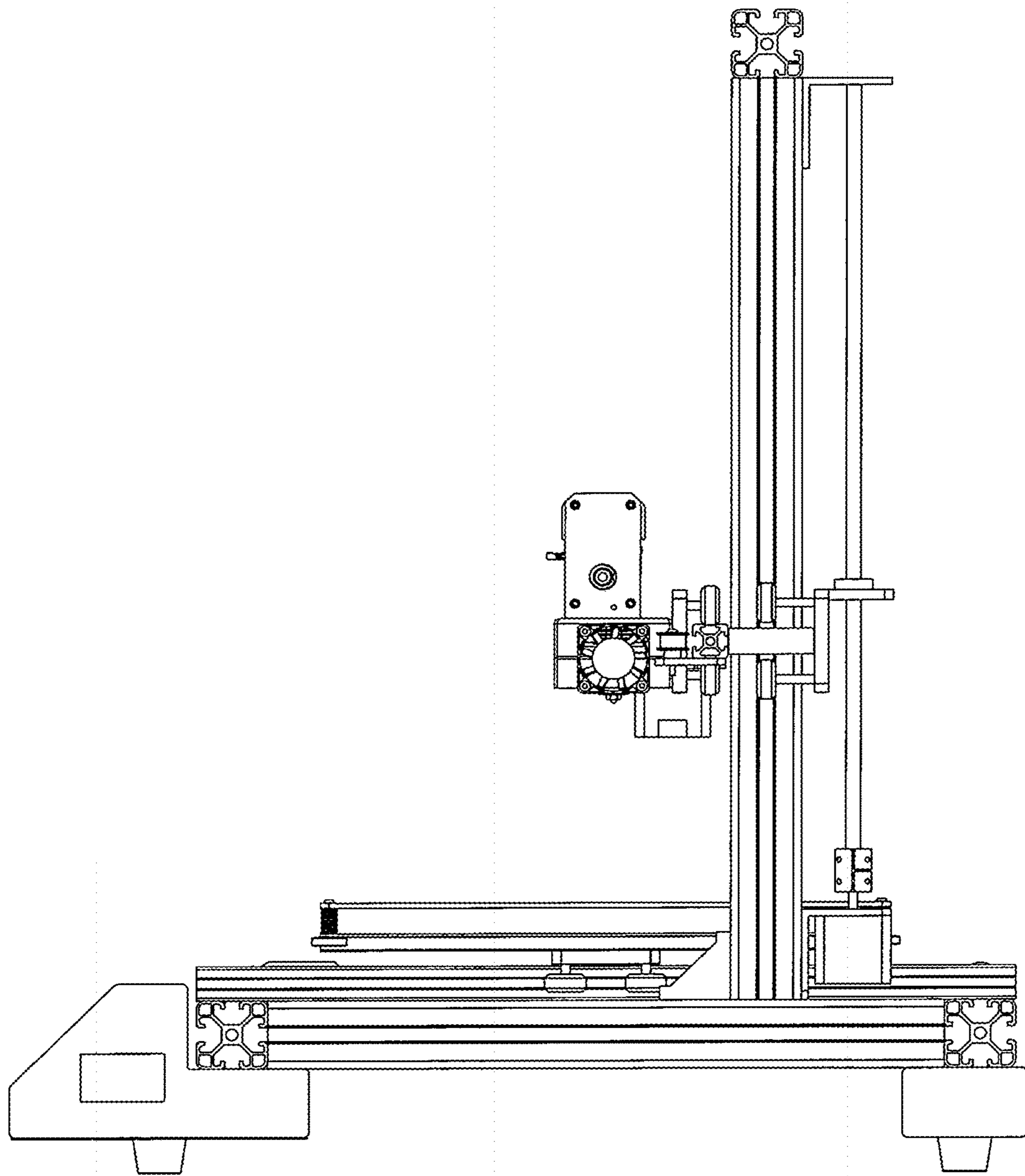


FIG. 4

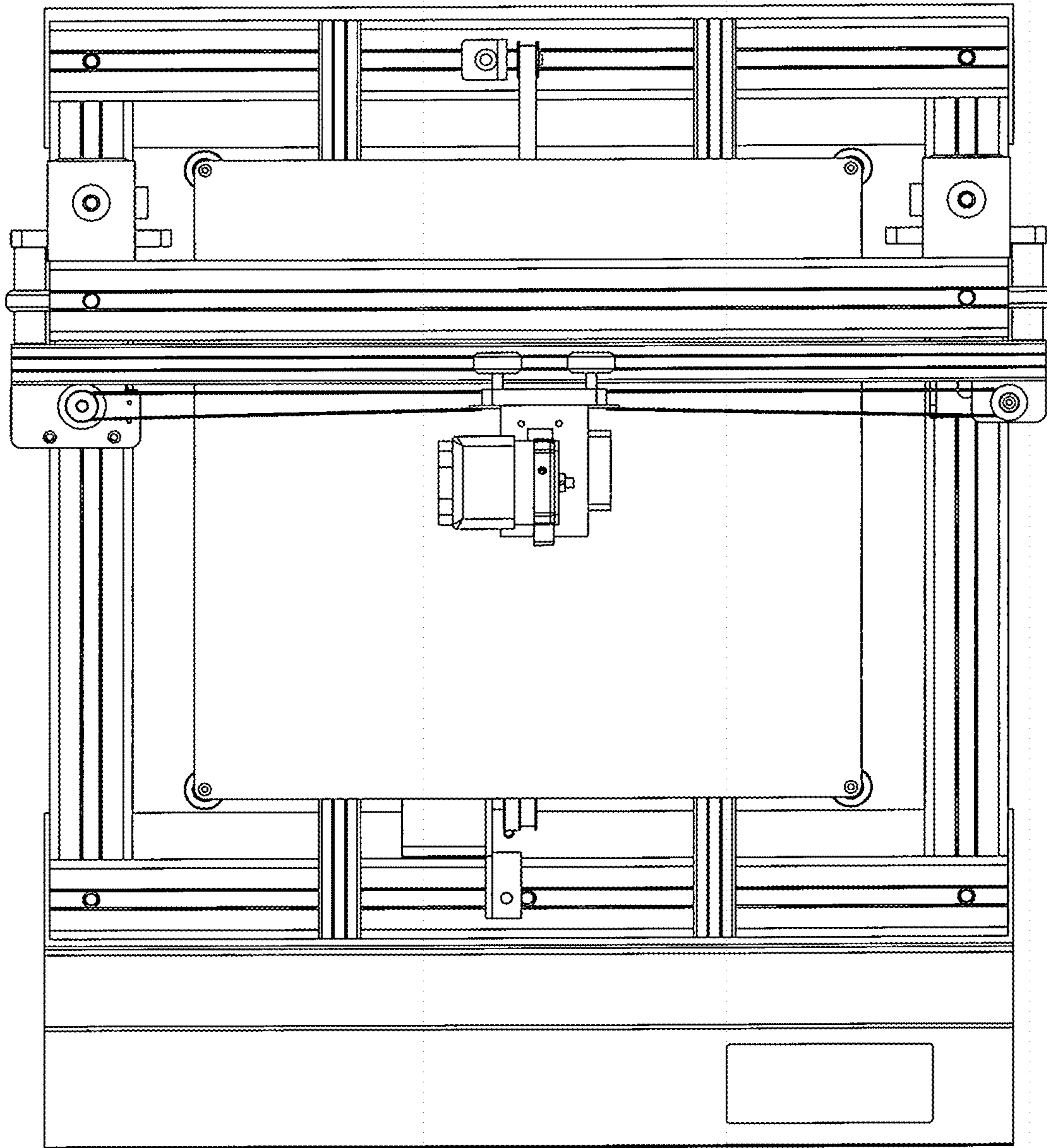


FIG. 5

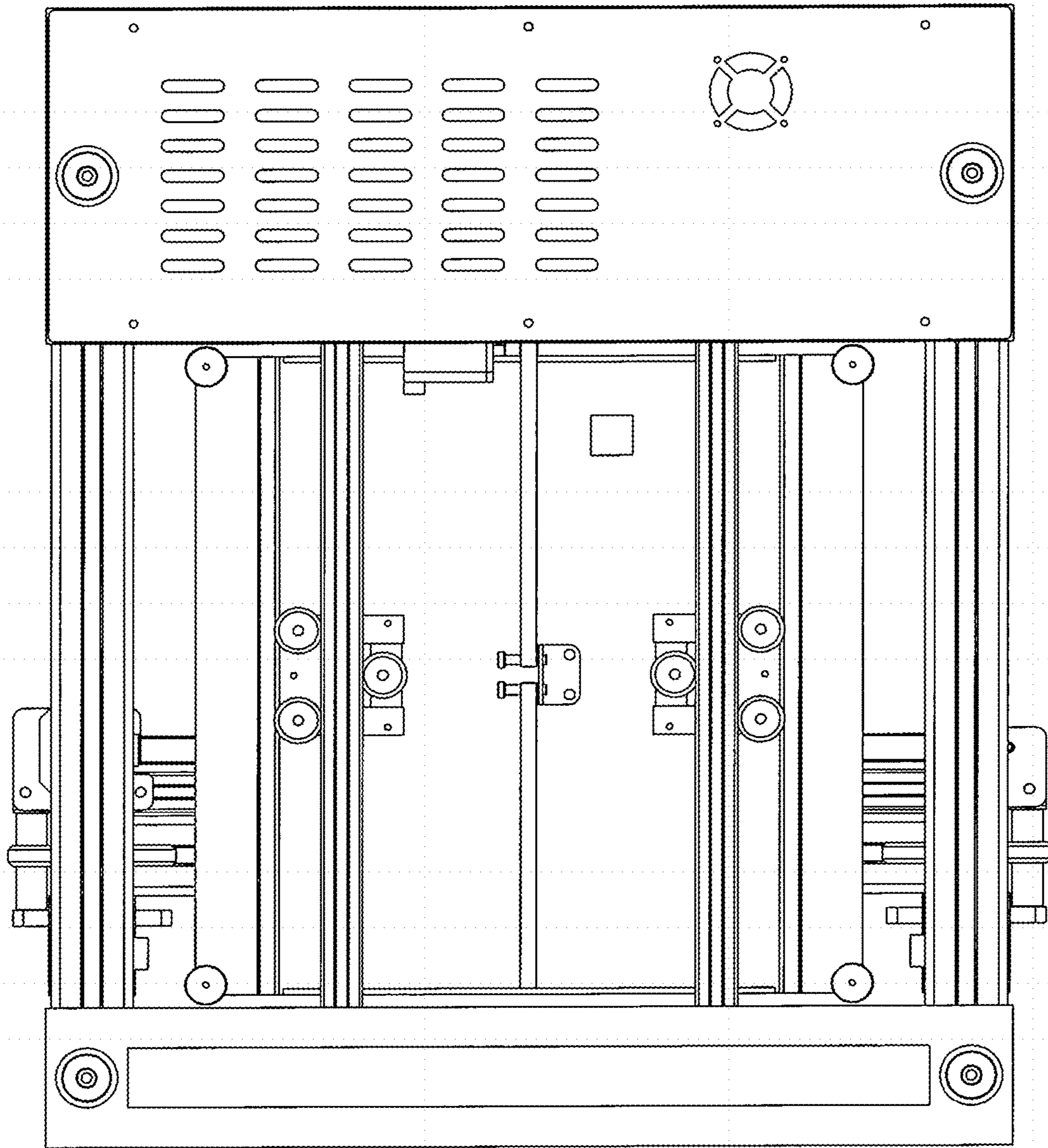


FIG. 6

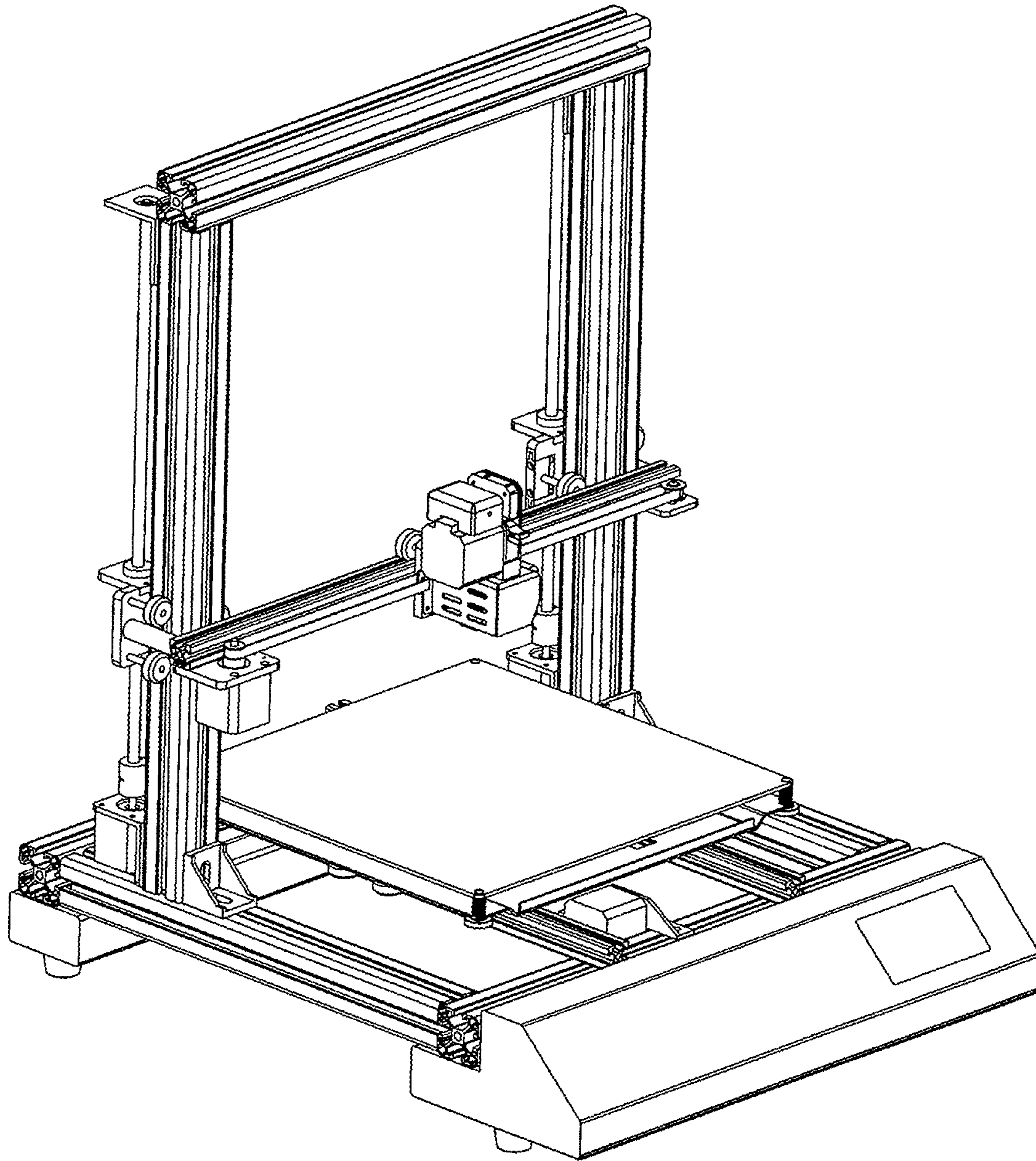


FIG. 7

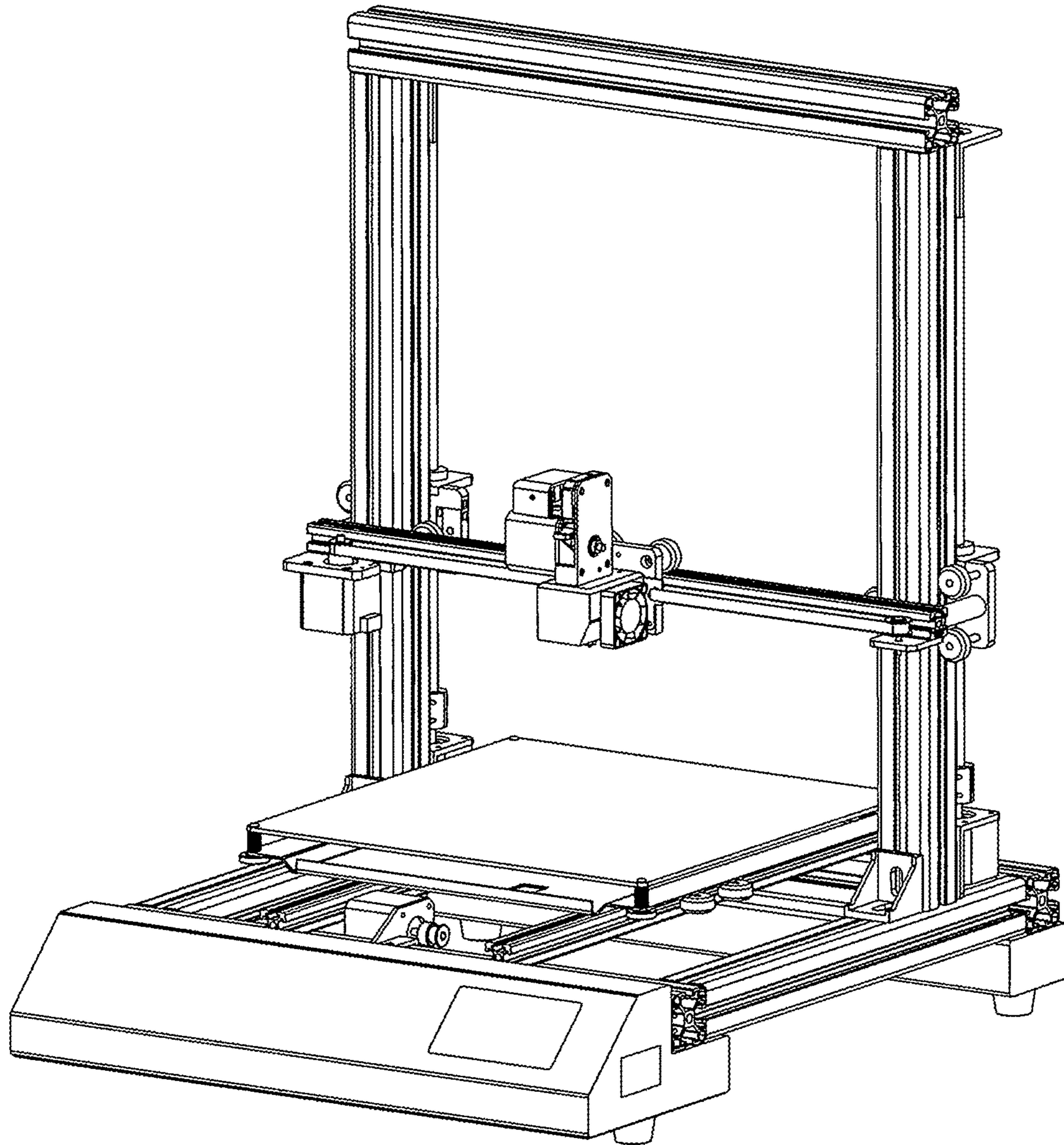


FIG. 8

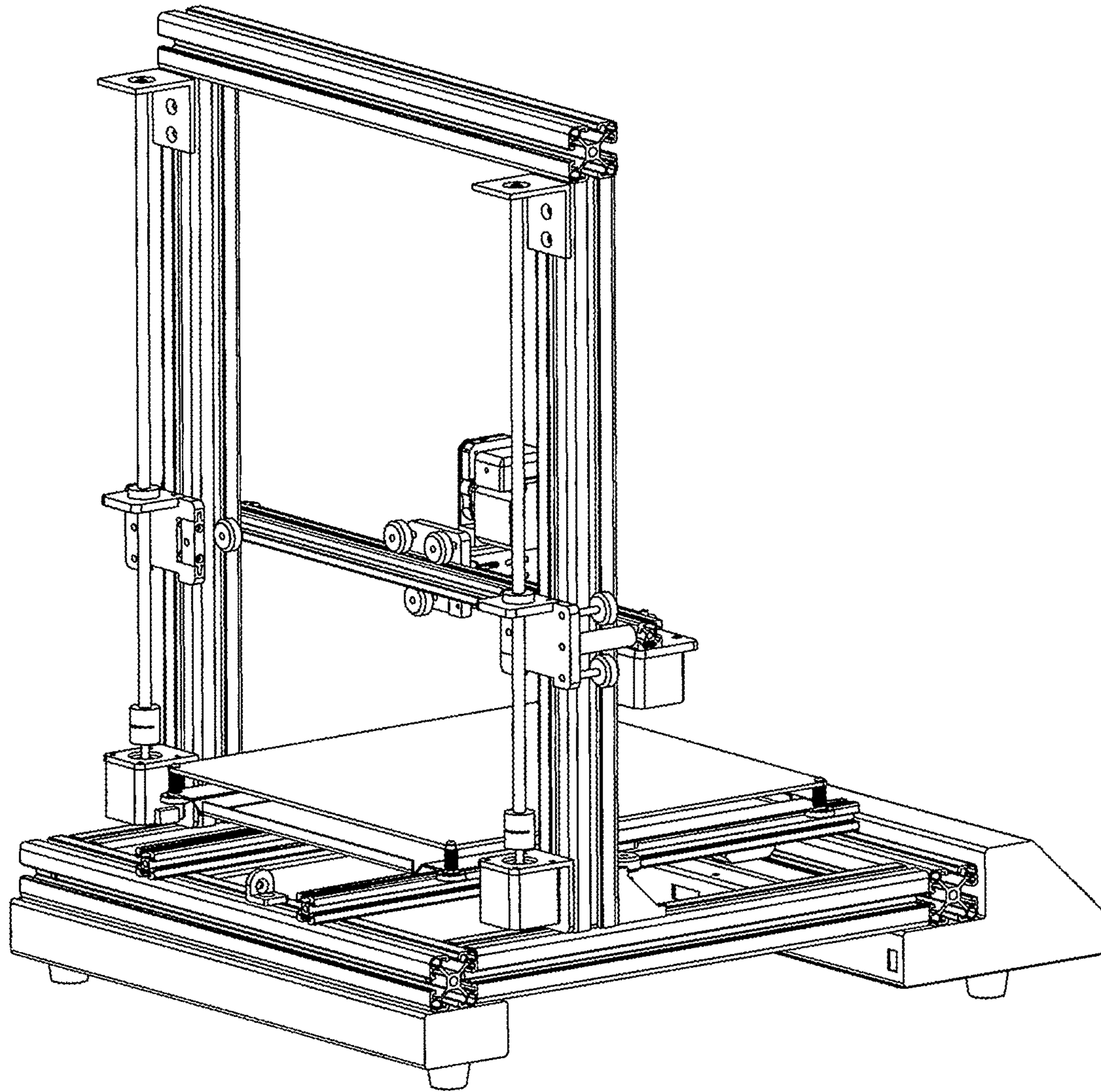


FIG. 9

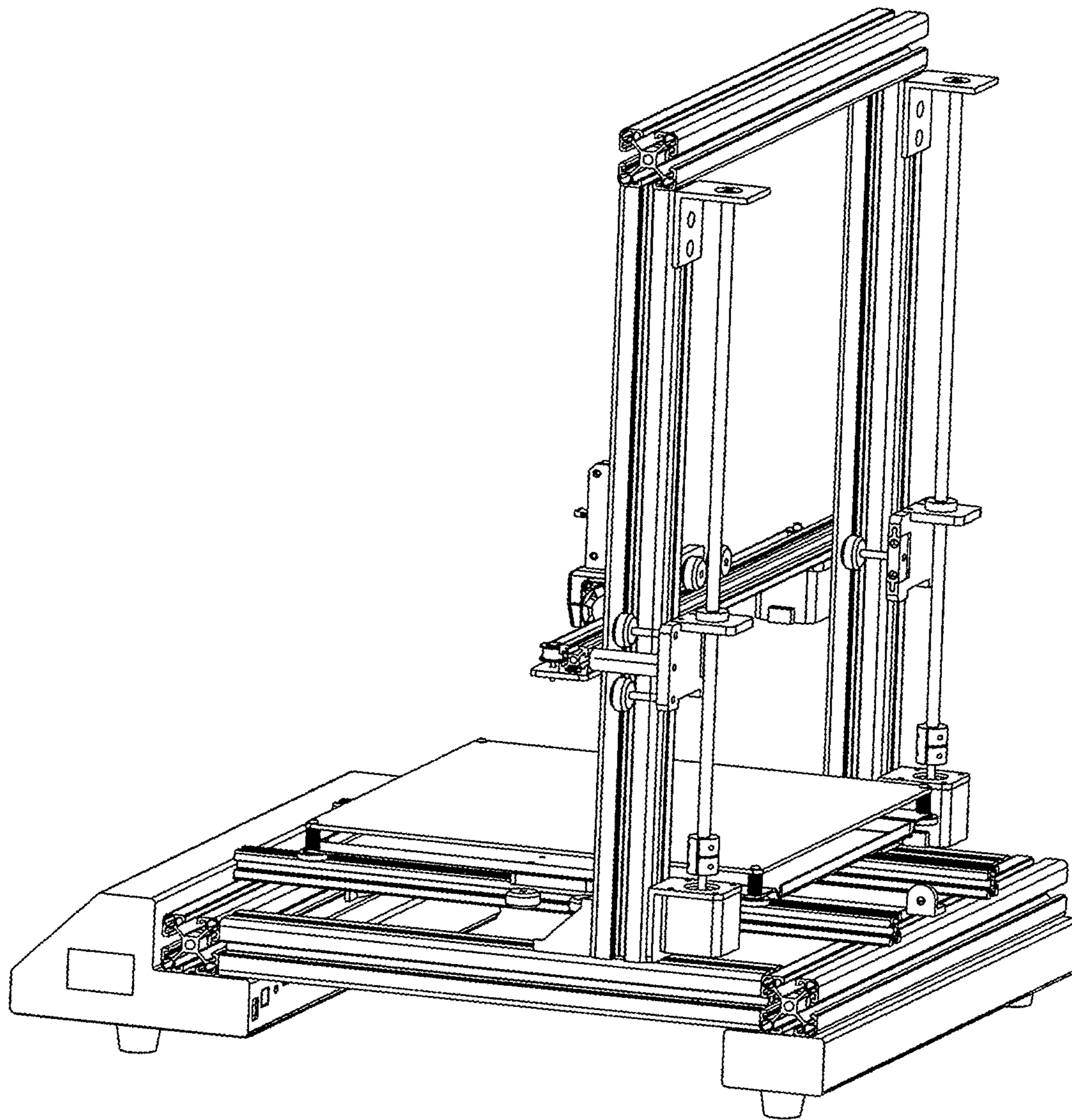


FIG. 10