



US00D933722S

(12) **United States Design Patent**
You et al.

(10) **Patent No.:** **US D933,722 S**

(45) **Date of Patent:** **** Oct. 19, 2021**

(54) **REFRIGERATOR**

(71) Applicant: **WINIADIMCHAE CO., LTD.**,
Gwangju (KR)

(72) Inventors: **Myung Dong You**, Incheon (KR); **Sang Hwi Choi**, Seoul (KR); **Sung Jin Lee**, Seoul (KR); **Eun Sol Lee**, Seoul (KR)

(73) Assignee: **WINIADIMCHAE CO., LTD.**,
Gwangju (KR)

(**) Term: **15 Years**

(21) Appl. No.: **29/720,785**

(22) Filed: **Jan. 15, 2020**

(30) **Foreign Application Priority Data**

Jul. 18, 2019 (KR) 30-2019-0034446

(51) **LOC (13) Cl.** **15-07**

(52) **U.S. Cl.**
USPC **D15/88**

(58) **Field of Classification Search**

USPC D15/79, 80, 81, 82, 83, 84, 85, 86, 87,
D15/88, 89, 90, 91; D6/657, 659;
D3/304, 307; D14/214, 242
CPC F25C 2400/10; F25D 2400/10; F25D
2400/12; F25D 2400/14; F25D 2400/18;
G05B 2219/2654; G09F 23/0058; Y10S
292/71

See application file for complete search history.

(56) **References Cited**

U.S. PATENT DOCUMENTS

D86,878 S * 5/1932 Dohner D15/88
D534,189 S * 12/2006 Ball D15/79

D597,794 S * 8/2009 Tolle D15/83
D738,870 S * 9/2015 Ding D14/240
D775,464 S * 1/2017 Aller D3/304
D789,907 S * 6/2017 Summerson D14/214
D804,460 S * 12/2017 Li D14/242
D829,775 S * 10/2018 Kim D15/81
D862,438 S * 10/2019 Lee D14/242
D885,366 S * 5/2020 Gurkin D14/214
D888,015 S * 6/2020 Gu D14/214
D890,132 S * 7/2020 Choi D14/214
D891,488 S * 7/2020 McKee D15/79
D915,351 S * 4/2021 Liao D14/214
D918,883 S * 5/2021 Liao D14/242
D919,609 S * 5/2021 Chen D14/242
2012/0167612 A1 * 7/2012 Lee F25D 11/00
62/344

* cited by examiner

Primary Examiner — Mojtaba Tehrani

(74) *Attorney, Agent, or Firm* — Hodgson Russ LLP

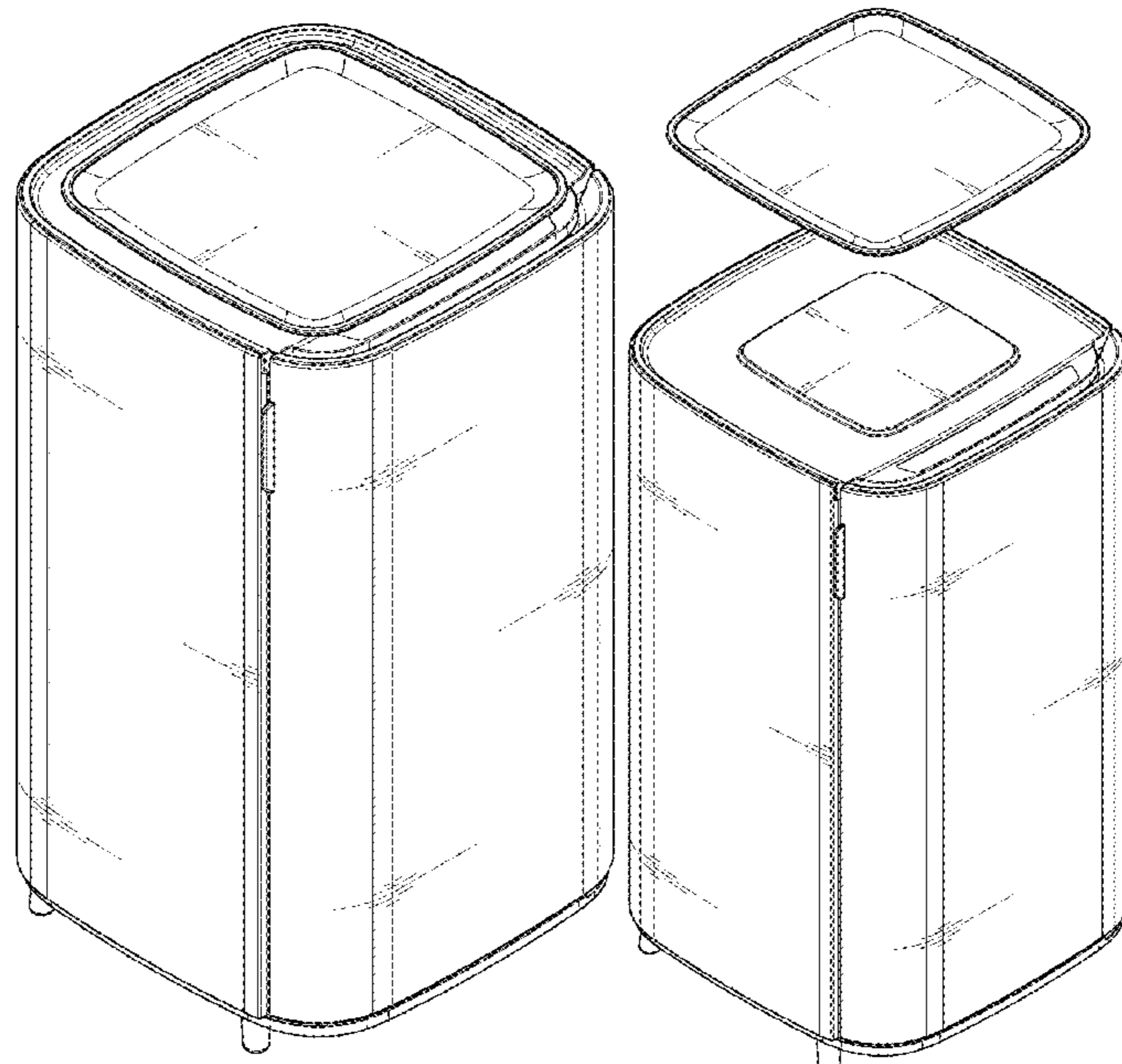
(57) **CLAIM**

The ornamental design for a refrigerator, as shown and described.

DESCRIPTION

FIG. 1 is perspective view of a Refrigerator, showing our new design;
FIG. 2 is a front elevation view thereof;
FIG. 3 is a rear elevation view thereof;
FIG. 4 is a left side elevation view thereof;
FIG. 5 is a right side elevation view thereof;
FIG. 6 is a top plan view thereof;
FIG. 7 is a bottom plan view thereof; and,
FIG. 8 is another perspective view, showing a tray of the refrigerator apart from the refrigerator.

1 Claim, 8 Drawing Sheets



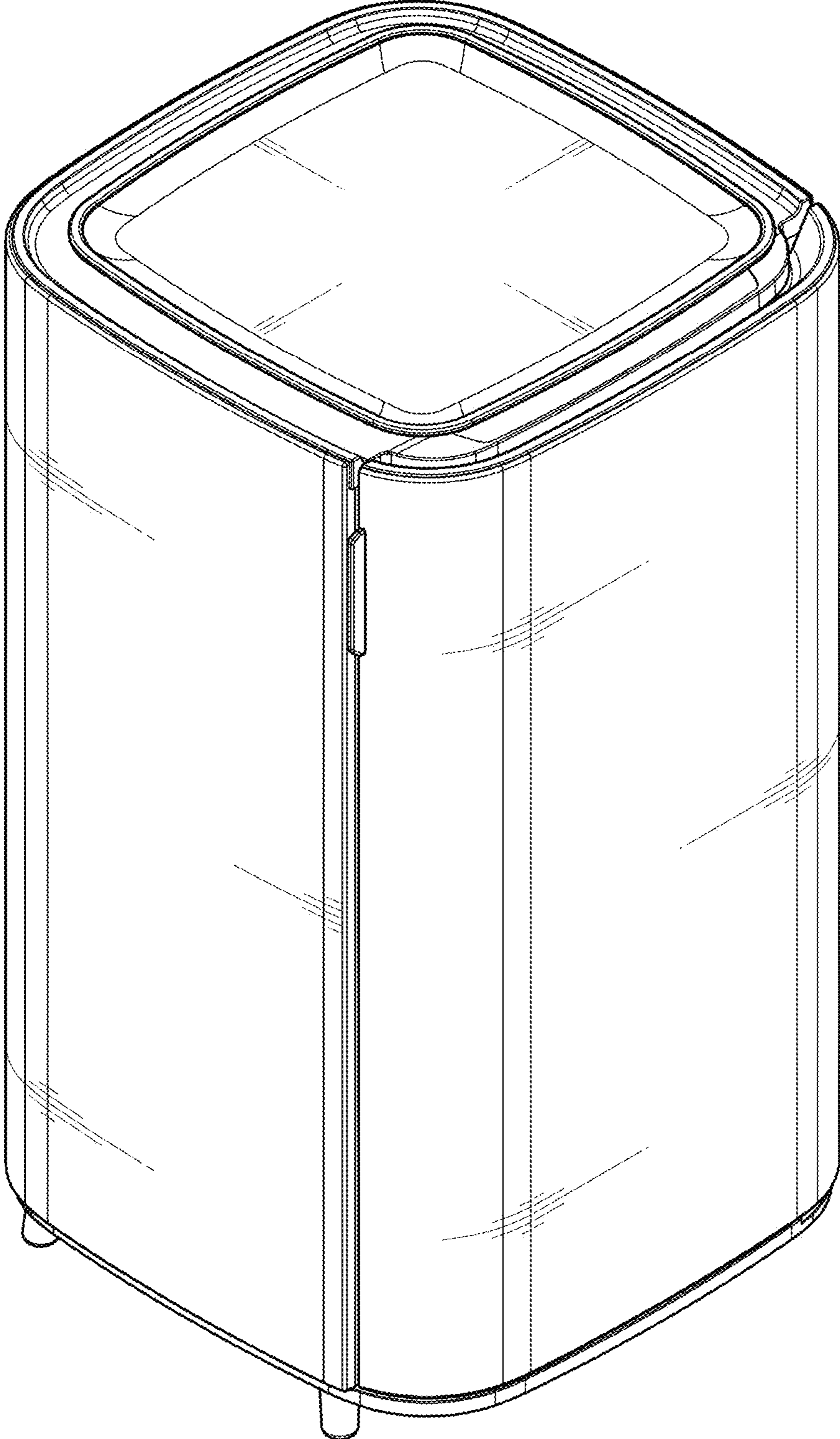


FIG. 1

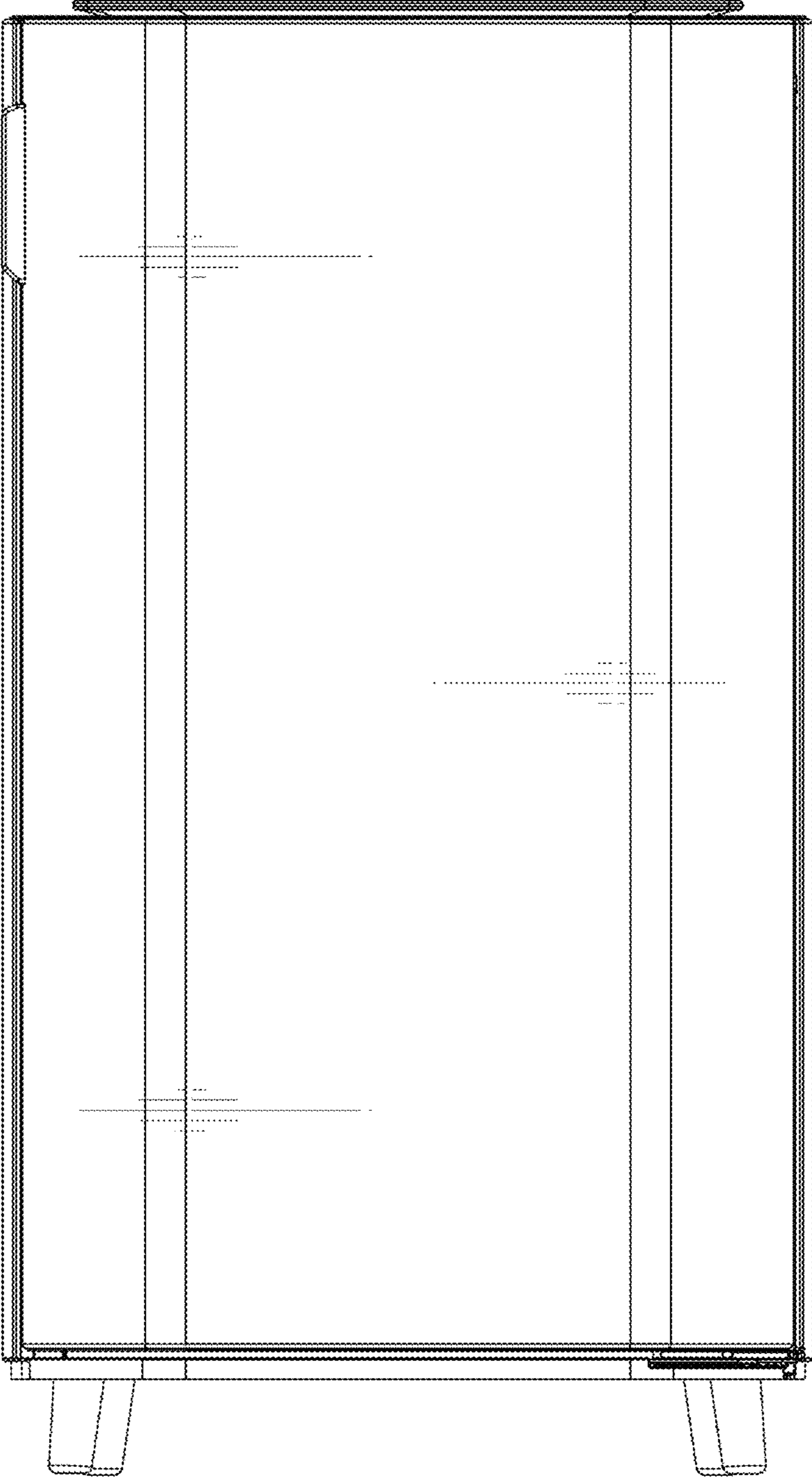


FIG. 2

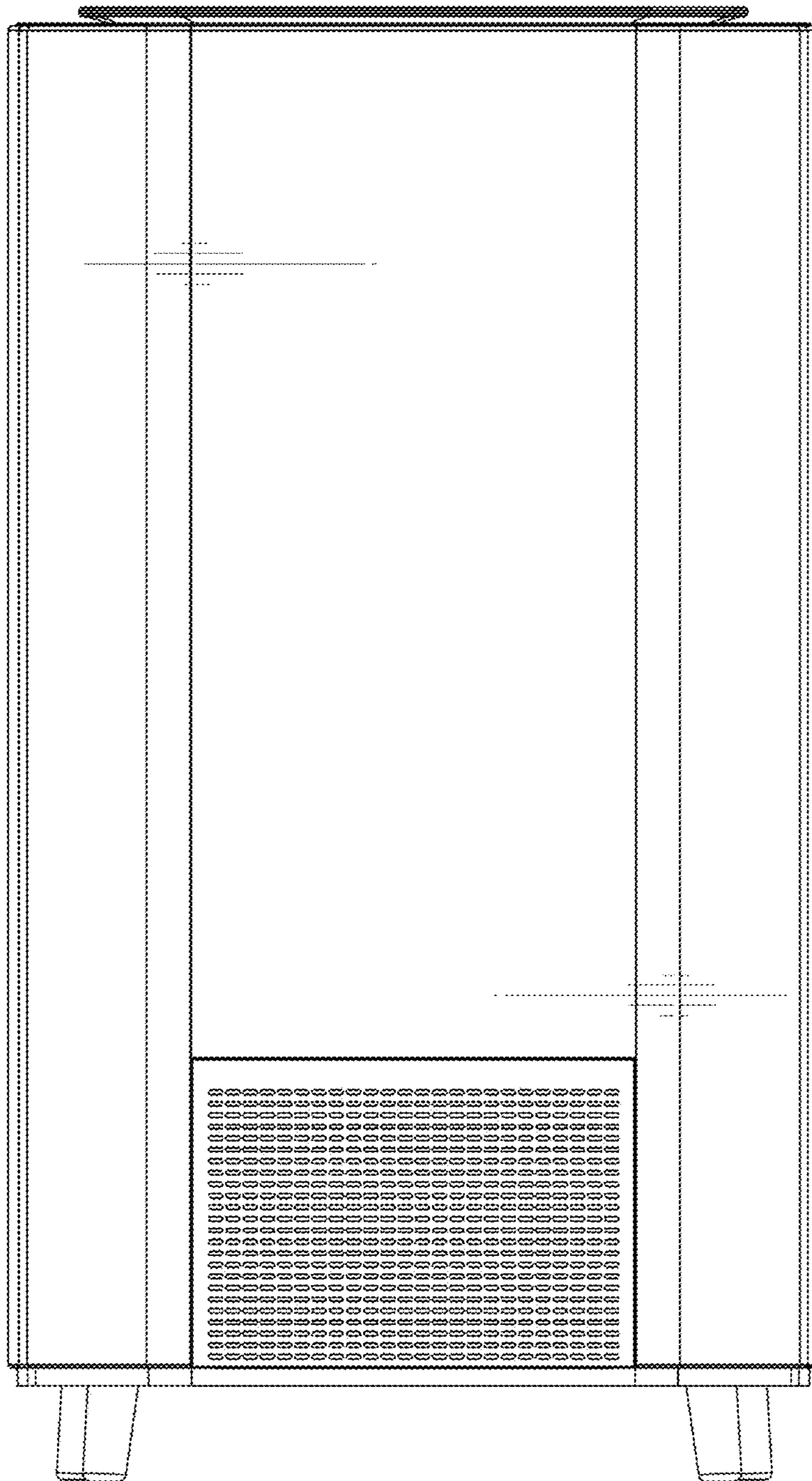


FIG. 3

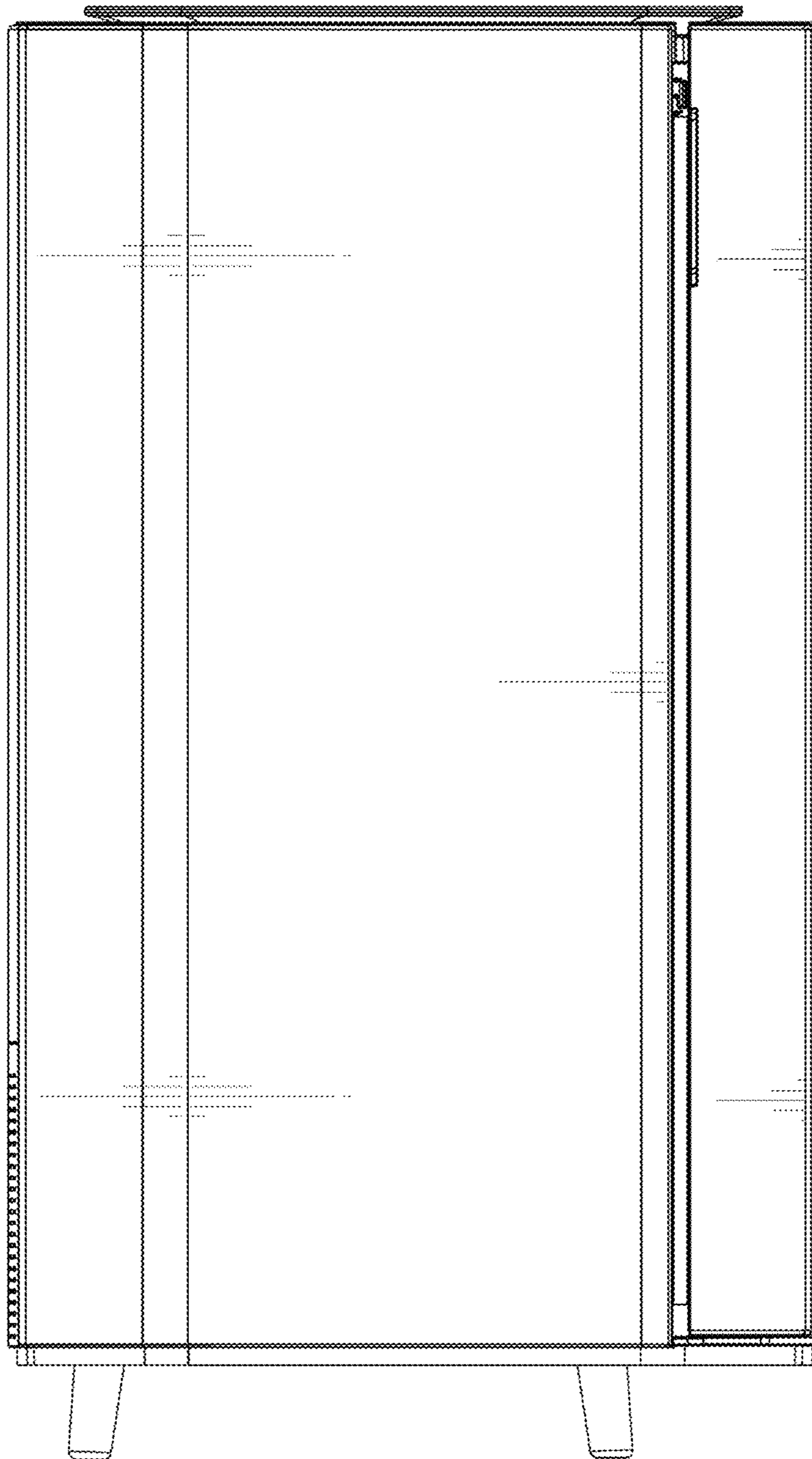


FIG. 4

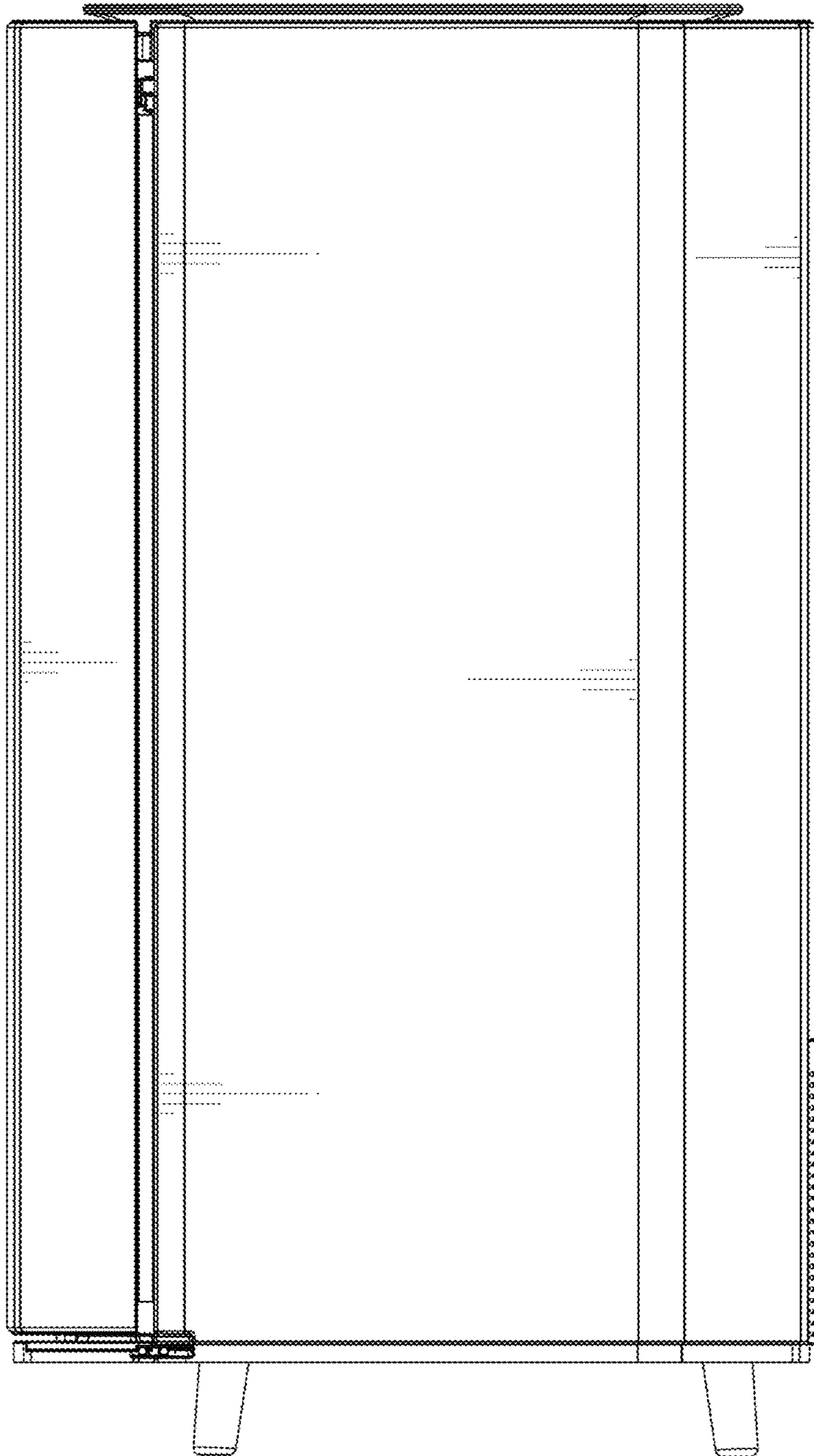


FIG. 5

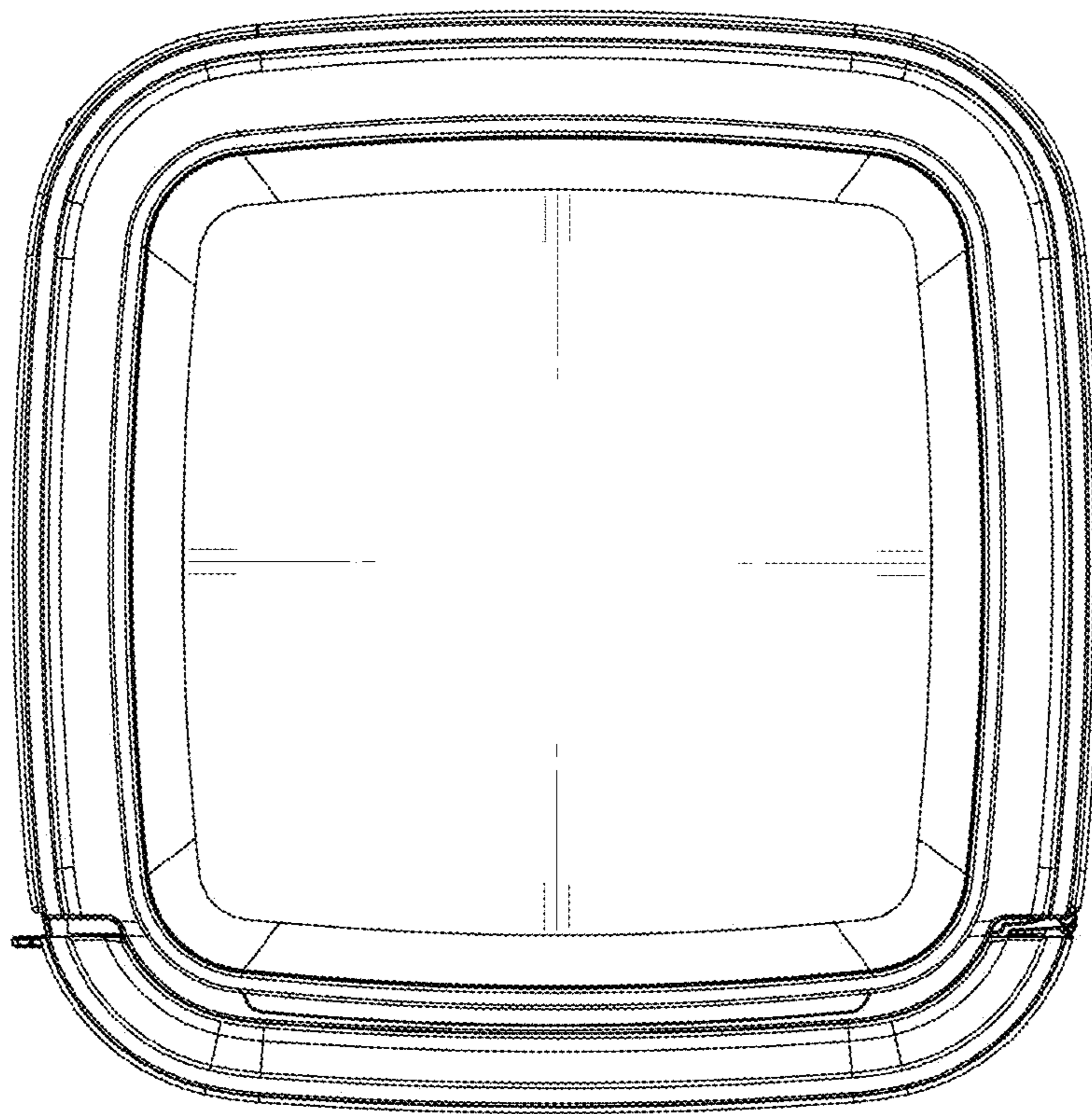


FIG. 6

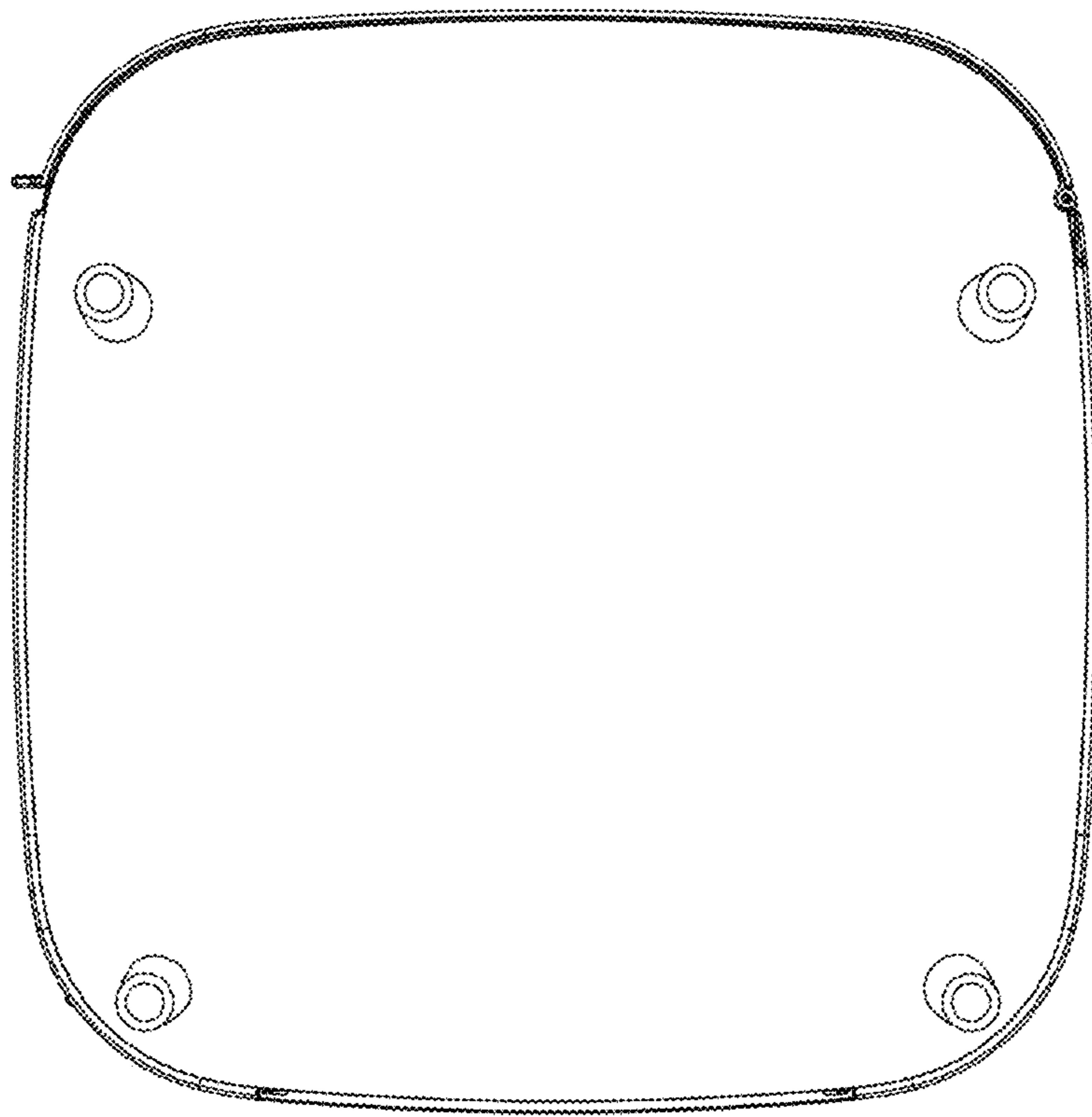


FIG. 7

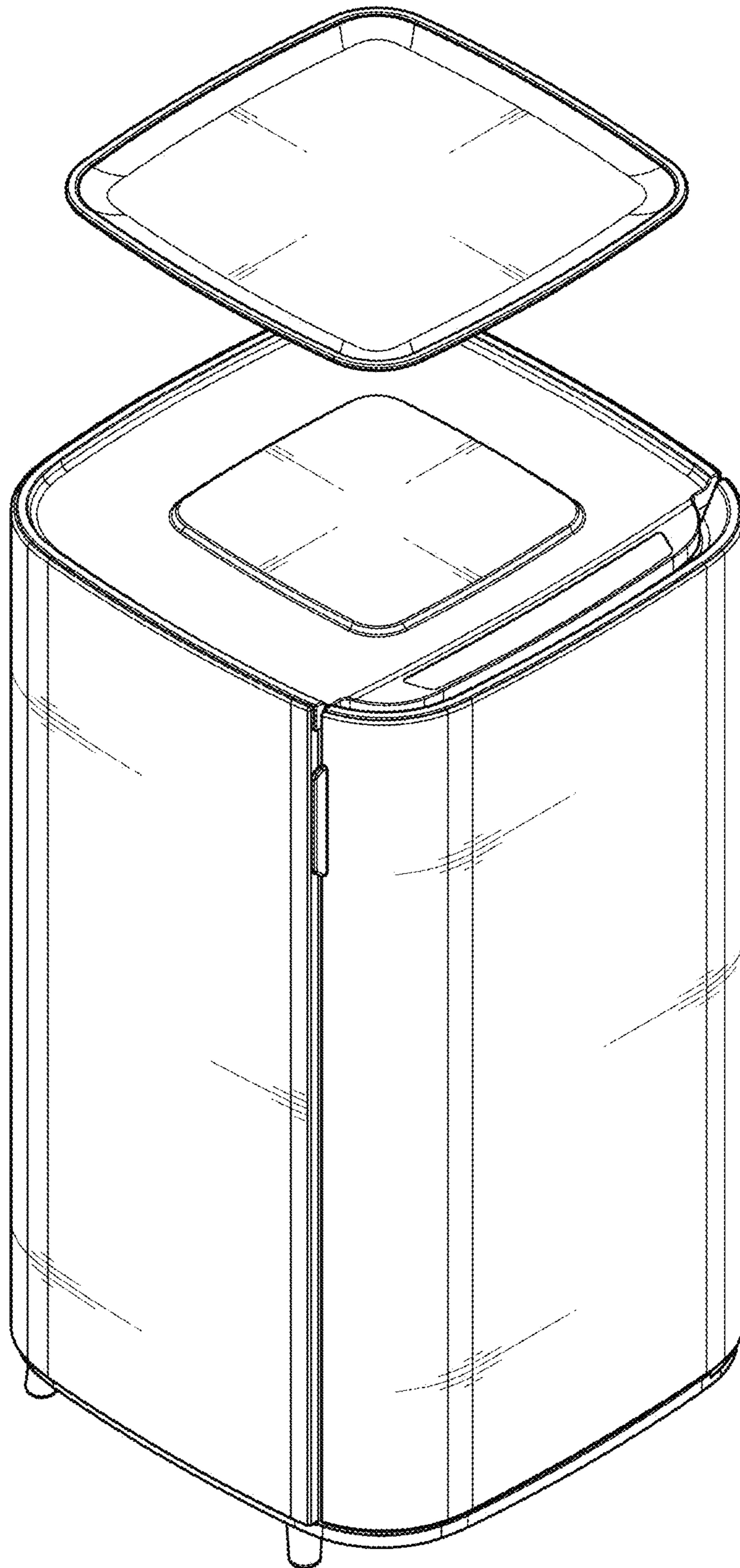


FIG. 8