



US00D933719S

(12) **United States Design Patent** (10) **Patent No.:** **US D933,719 S**
Bjerke et al. (45) **Date of Patent:** **** Oct. 19, 2021**

- (54) **RETENTION COMPONENT**
- (71) Applicant: **CATERPILLAR INC.**, Peoria, IL (US)
- (72) Inventors: **Nathan Bjerke**, Peoria, IL (US); **Scott A. Schick**, Morton, IL (US); **Thomas M. Congdon**, Dunlap, IL (US)
- (73) Assignee: **Caterpillar Inc.**, Peoria, IL (US)
- (**) Term: **15 Years**
- (21) Appl. No.: **29/774,498**
- (22) Filed: **Mar. 17, 2021**

- 5,937,550 A 8/1999 Emrich
 - 6,202,327 B1 3/2001 Fuller et al.
 - 6,209,238 B1 4/2001 Ruvang
 - 6,240,663 B1 6/2001 Robinson
 - 7,219,454 B2 5/2007 Maher
 - 7,472,503 B2 1/2009 Maher
- (Continued)

FOREIGN PATENT DOCUMENTS

- WO WO 2012-016251 2/2012
- WO WO 2013-122561 8/2013
- WO WO 2016-135360 9/2016

Primary Examiner — Mark A Goodwin
(74) *Attorney, Agent, or Firm* — Finnegan, Henderson, Farabow, Garrett & Dunner, LLP

Related U.S. Application Data

- (63) Continuation of application No. 29/669,147, filed on Nov. 6, 2018, now Pat. No. Des. 922,447.
- (51) **LOC (13) Cl.** **15-03**
- (52) **U.S. Cl.**
USPC **D15/28**
- (58) **Field of Classification Search**
USPC D15/28
CPC E02F 3/8155; E02F 3/8157; E02F 3/8152;
E02F 3/76; E02F 9/28; E02F 9/2833;
E02F 9/2808; E02F 9/2816; E02F 9/2825;
E01C 35/193; E01C 35/1933; E01C
35/1936; E01C 35/19
See application file for complete search history.

(57) **CLAIM**

The ornamental design for a retention component, as shown and described.

DESCRIPTION

FIG. 1 is a front, top, left perspective view of a retention component showing the new design;
 FIG. 2 is a cross-sectional view thereof as indicated in FIG. 1;
 FIG. 3 is a cross-sectional view thereof as indicated in FIG. 1;
 FIG. 4 is a rear, top, right perspective view thereof;
 FIG. 5 is a rear, bottom, right perspective view thereof;
 FIG. 6 is a front elevation view thereof;
 FIG. 7 is a rear elevation view thereof;
 FIG. 8 is a right side view thereof;
 FIG. 9 is a left side view thereof;
 FIG. 10 is a top plan view thereof; and,
 FIG. 11 is a bottom plan view thereof.

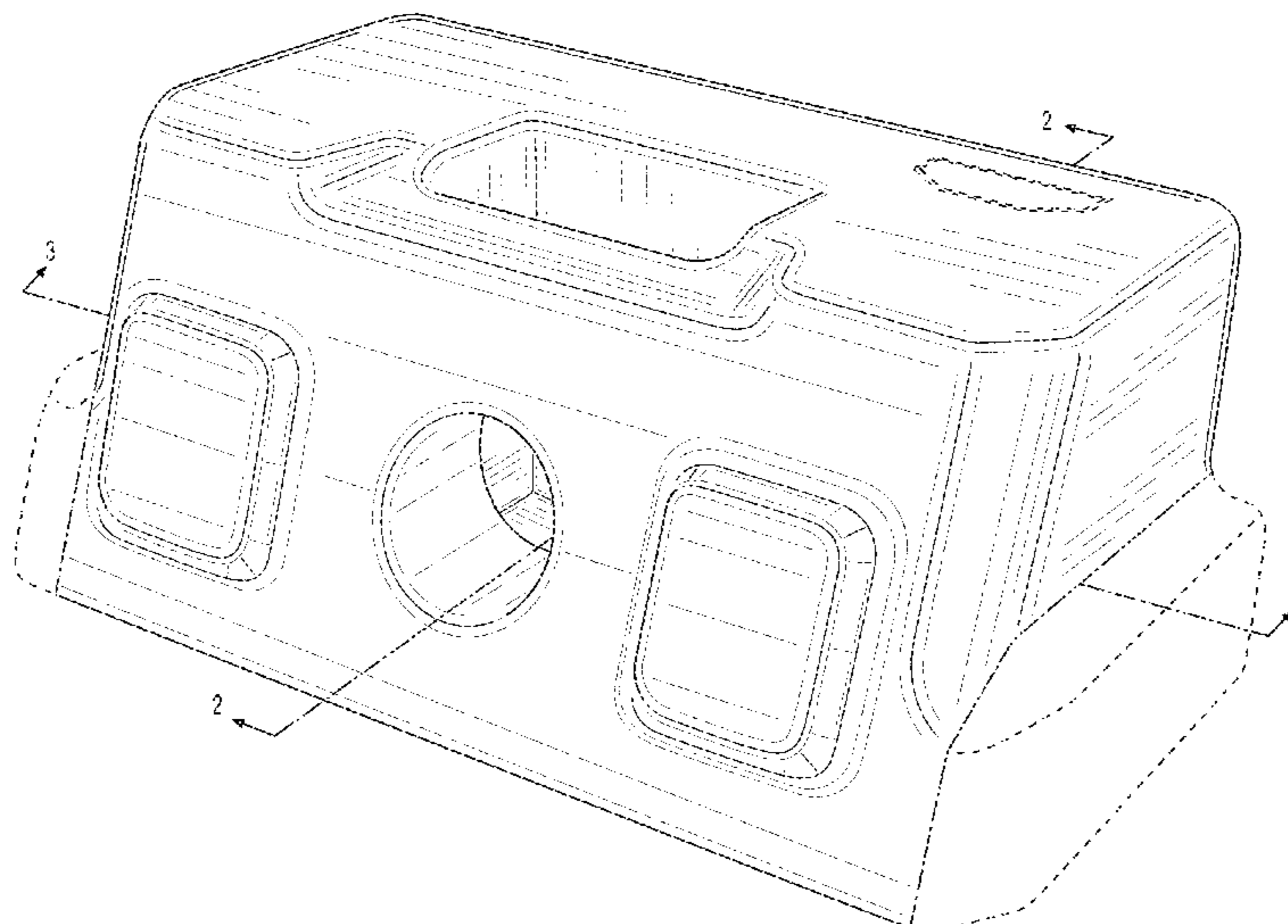
The broken lines of uneven length shown in the drawings illustrate the boundary of the claimed design and form no part thereof. The broken lines of even length shown in the drawings illustrate portions of the retention component that form no part of the claimed design.

(56) **References Cited**

U.S. PATENT DOCUMENTS

- 4,076,318 A 2/1978 Hauschopp et al.
- 4,205,469 A 6/1980 Johansson
- 4,676,706 A 6/1987 Inaba
- 4,753,299 A 6/1988 Meyers
- 4,784,517 A 11/1988 Bergqvist et al.
- 4,883,129 A 11/1989 Lonn et al.
- 5,125,853 A 6/1992 Hashiguchi
- 5,713,145 A 2/1998 Ruvang
- 5,778,599 A 7/1998 Saito

1 Claim, 11 Drawing Sheets



(56)

References Cited

U.S. PATENT DOCUMENTS

8,024,874	B2	9/2011	McClanahan et al.
8,438,760	B2	5/2013	Maher et al.
8,819,967	B2	9/2014	Campomanes
8,943,718	B2	2/2015	Ruvang
9,540,796	B2	1/2017	Dallard et al.
9,632,200	B2	4/2017	Tasovski
9,909,285	B2	3/2018	Bjerke et al.
9,938,695	B2	4/2018	Bjerke et al.
10,851,523	B2	12/2020	Parzynski, Jr. et al.
10,883,257	B2	1/2021	Bjerke et al.
2003/0089003	A1	5/2003	Ollinger, IV et al.
2003/0121185	A1	7/2003	Ollinger, IV et al.
2004/0237355	A1	12/2004	Ollinger, IV
2005/0229441	A1	10/2005	Maher
2008/0005940	A1	1/2008	Ollinger
2009/0282711	A1	11/2009	Naher et al.
2009/0285651	A1	11/2009	Cooley
2013/0185964	A1	7/2013	Anisy et al.
2014/0173949	A1	6/2014	Karlsson et al.
2014/0202049	A1	7/2014	Ruvang
2014/0360060	A1	12/2014	Kunz
2015/0211214	A1	7/2015	Dallard et al.
2017/0073939	A1	3/2017	Bjerke et al.
2017/0321396	A1	11/2017	Zenier et al.
2018/0038065	A1	2/2018	Hunt
2018/0195255	A1	7/2018	Parzynski et al.
2020/0095752	A1	3/2020	Campomanes et al.
2020/0157782	A1	5/2020	Bjerke
2021/0010247	A1	1/2021	Bjerke et al.

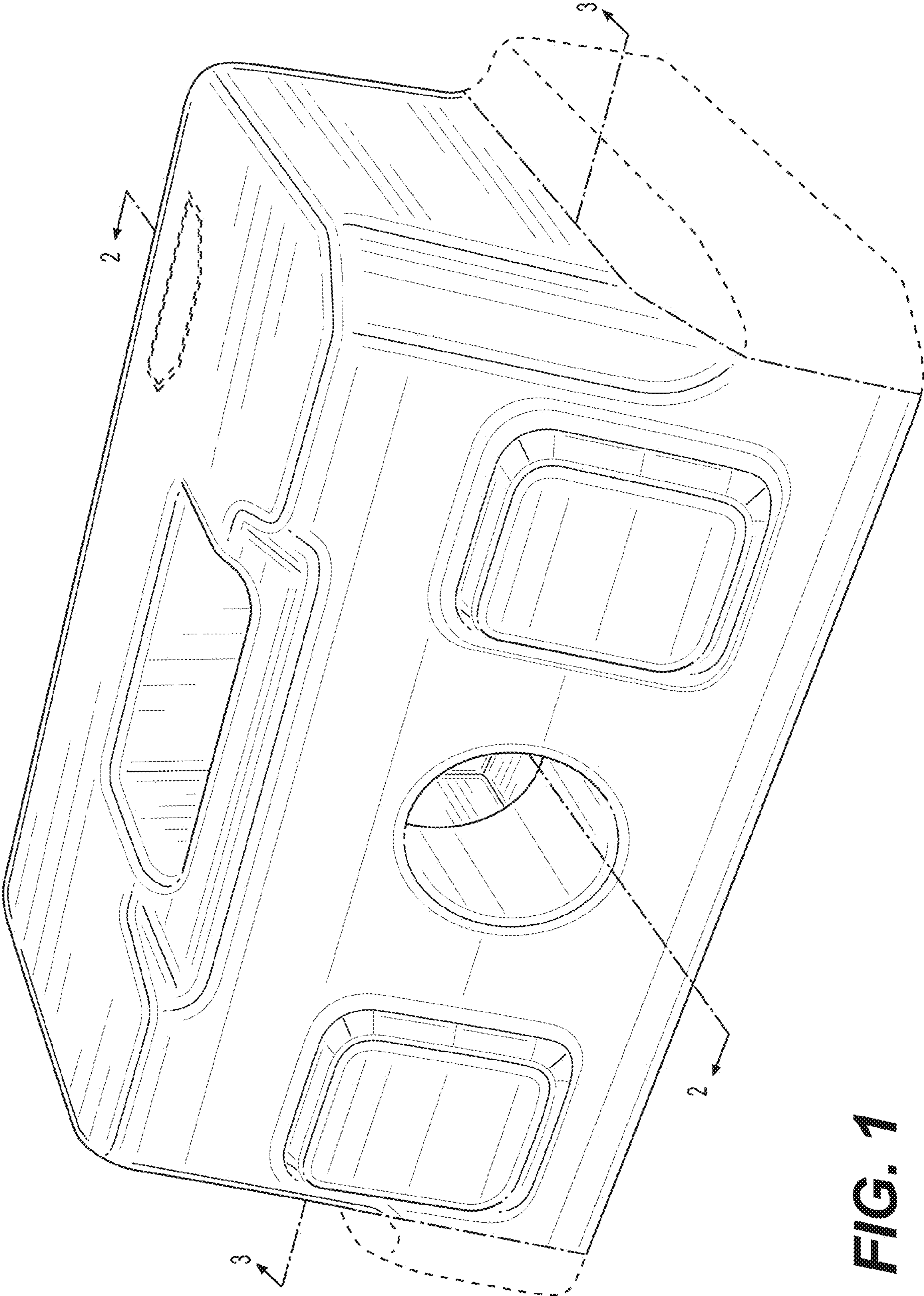


FIG. 1

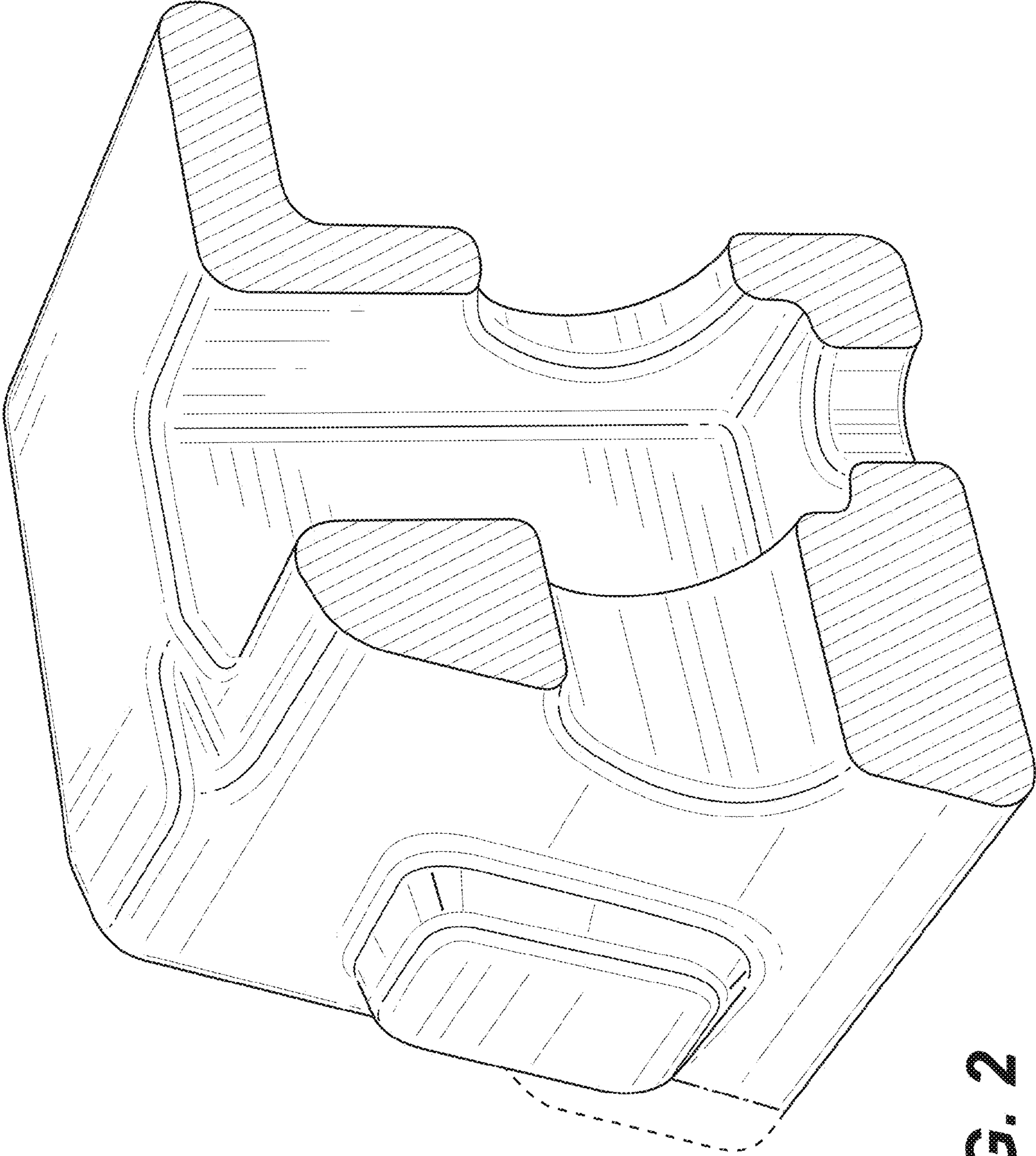


FIG. 2

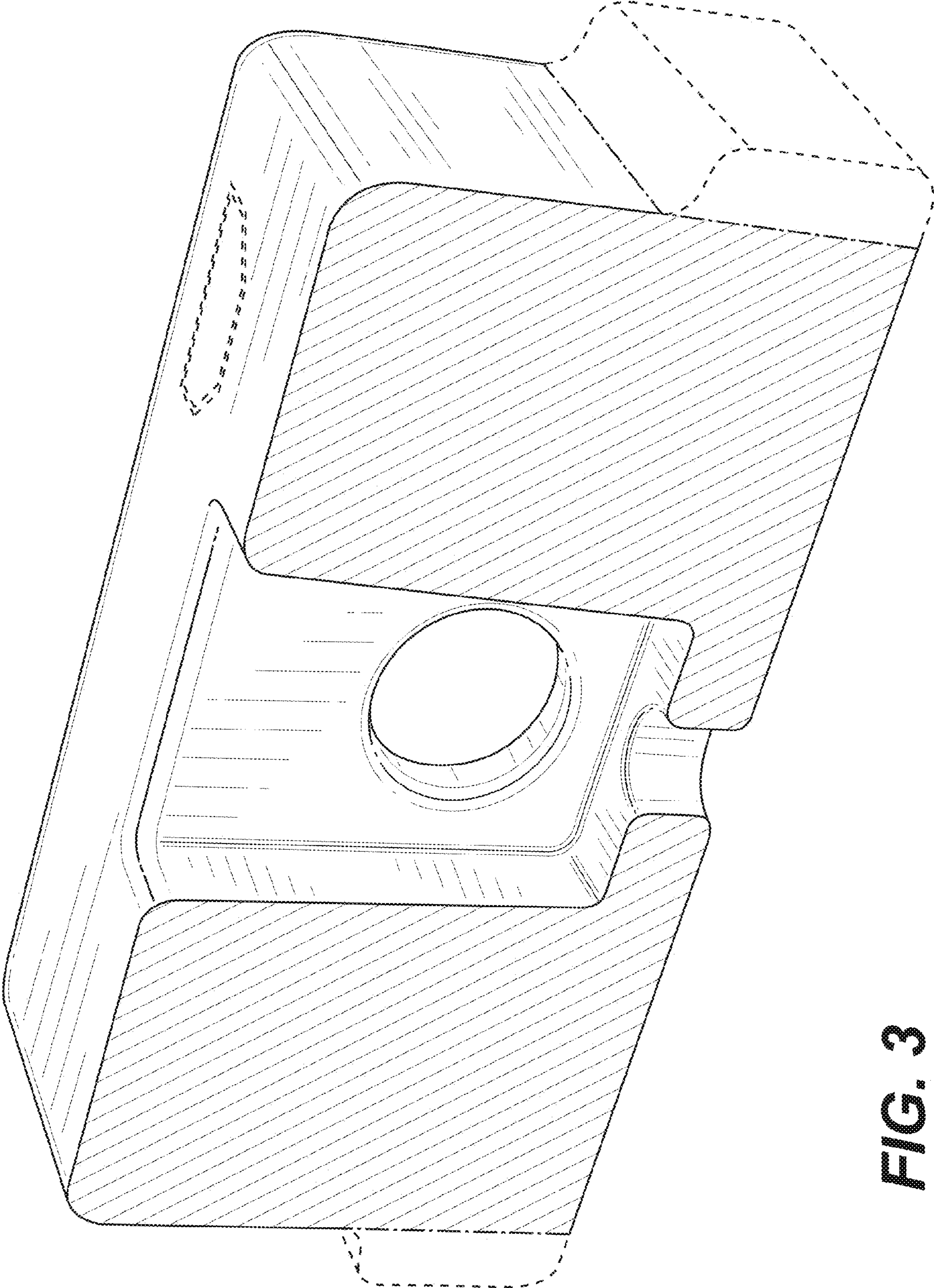


FIG. 3

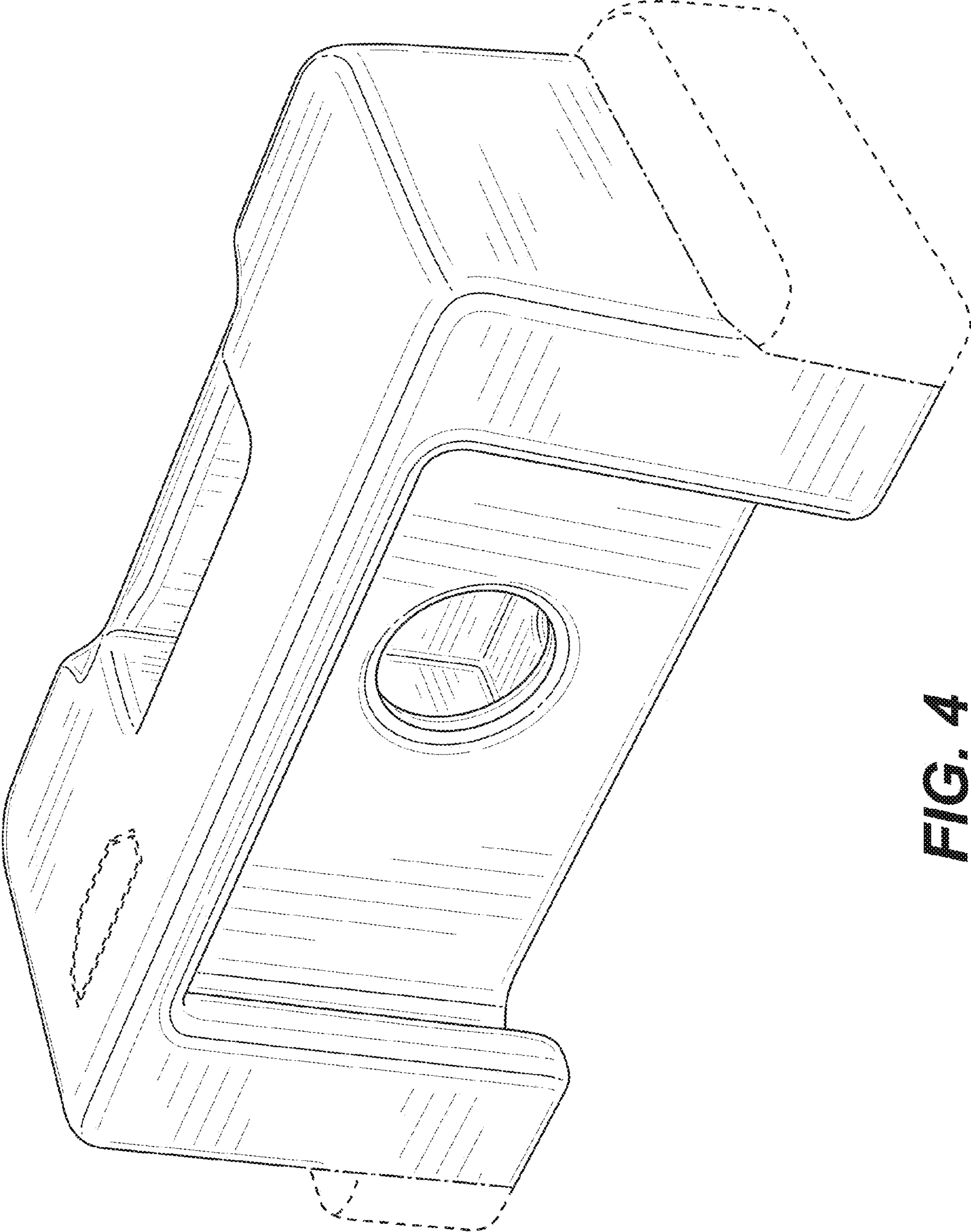


FIG. 4

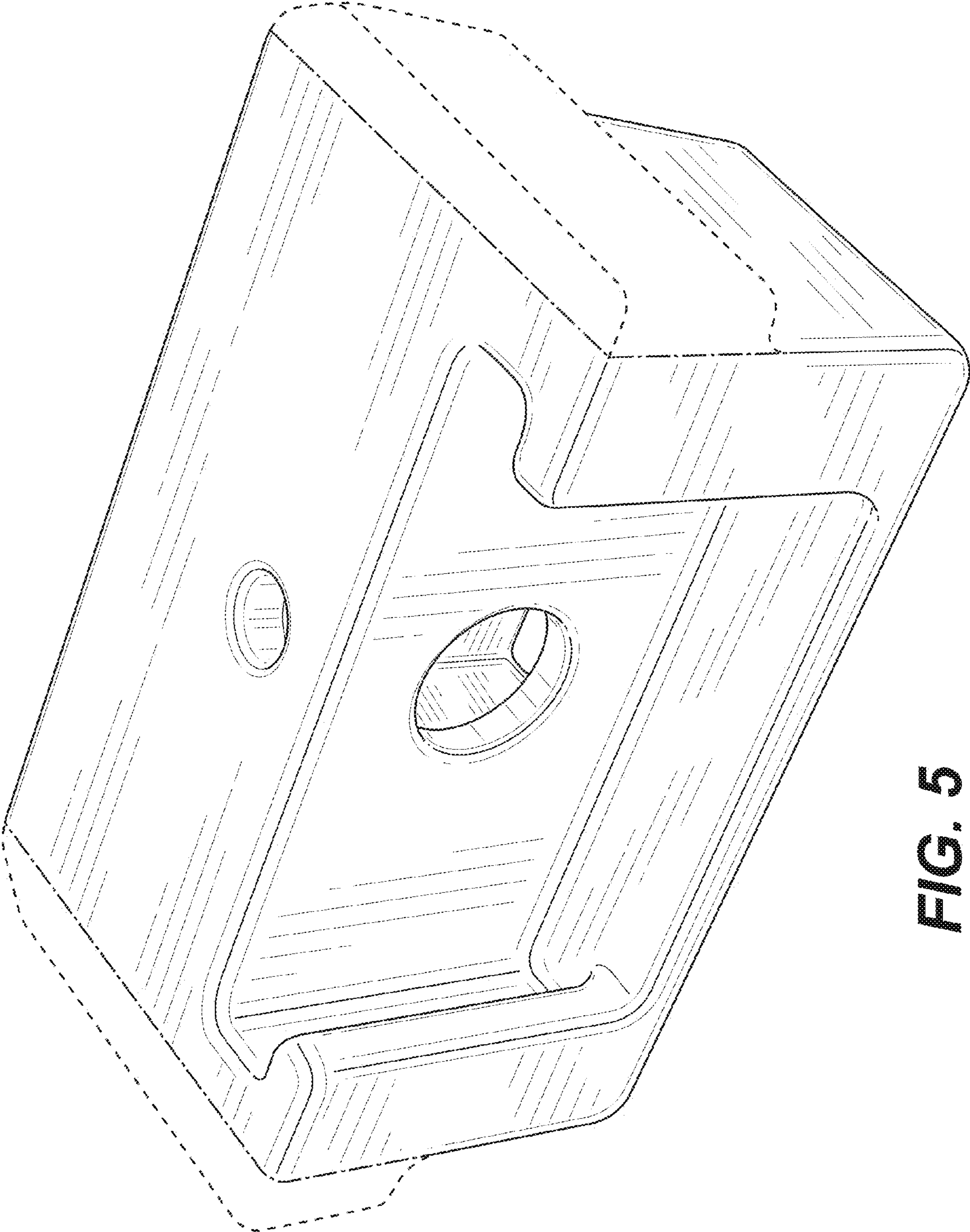


FIG. 5

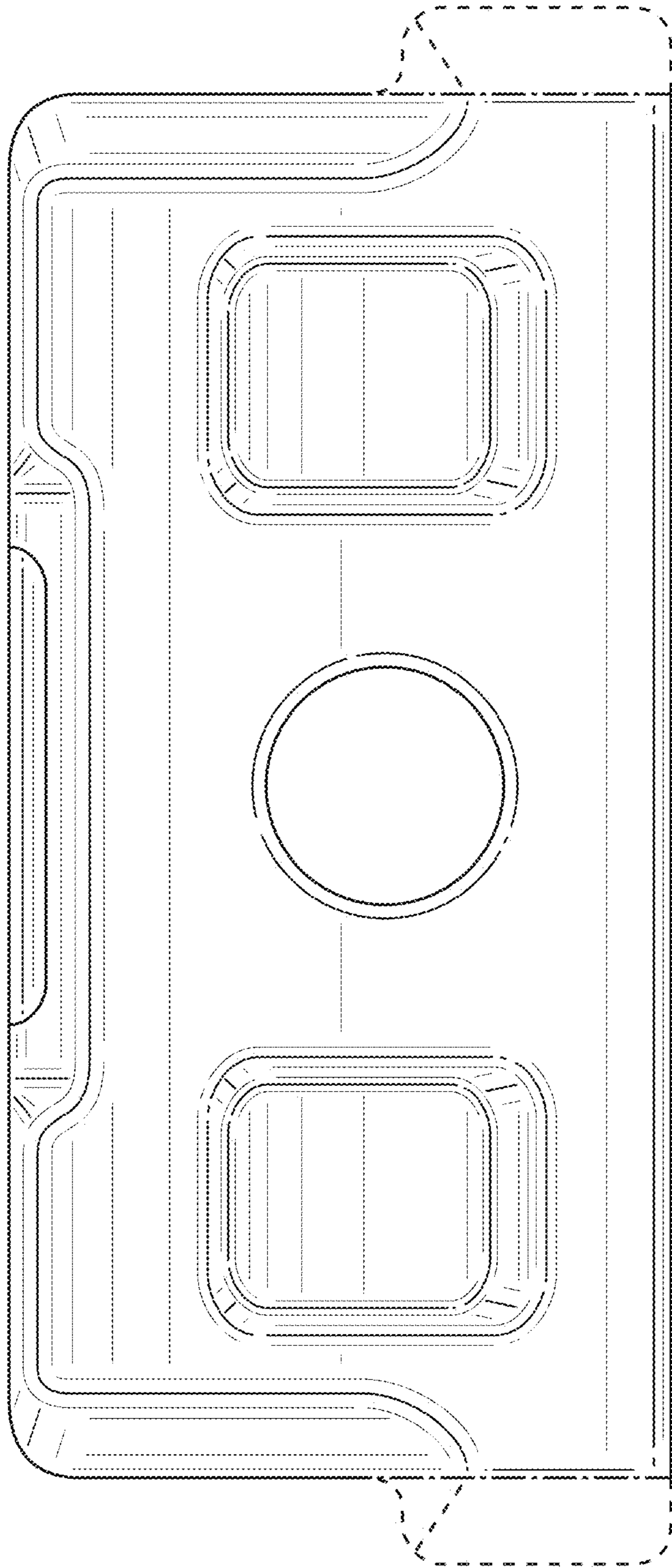


FIG. 6

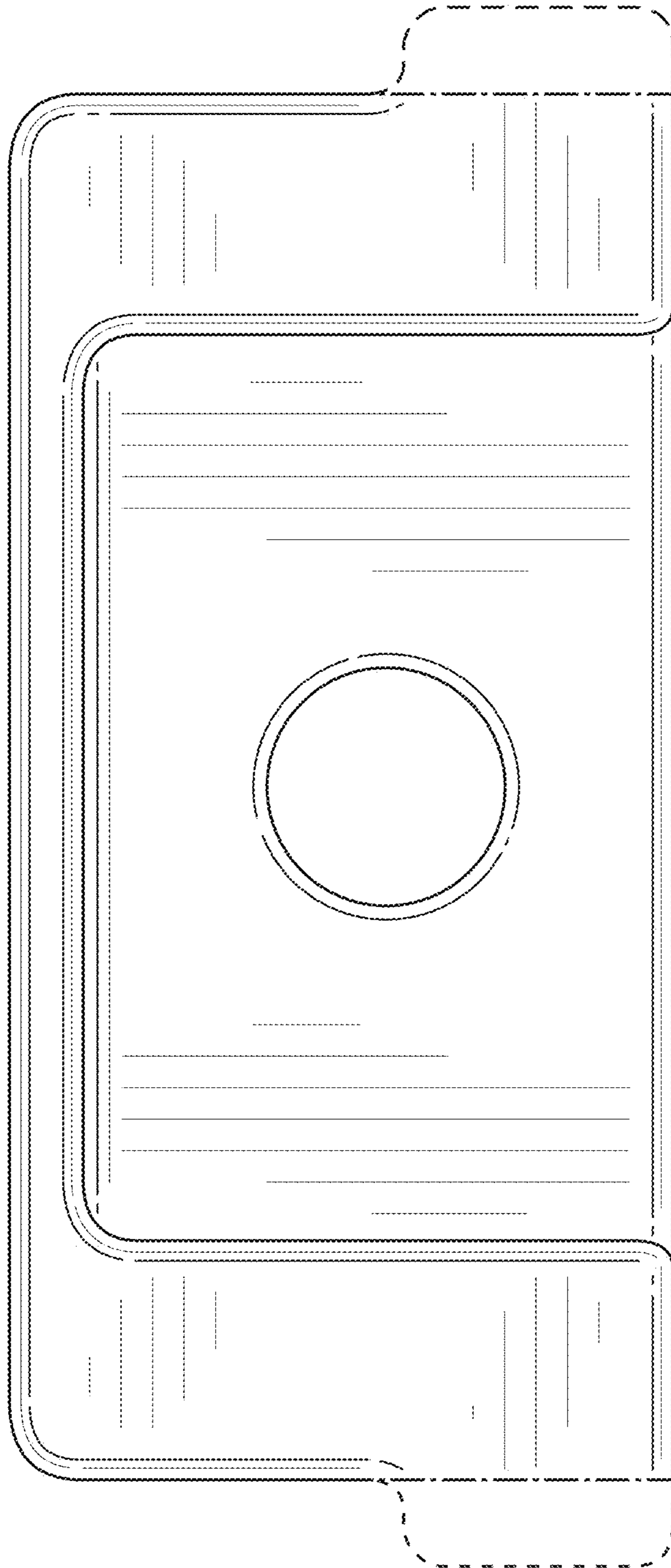


FIG. 7

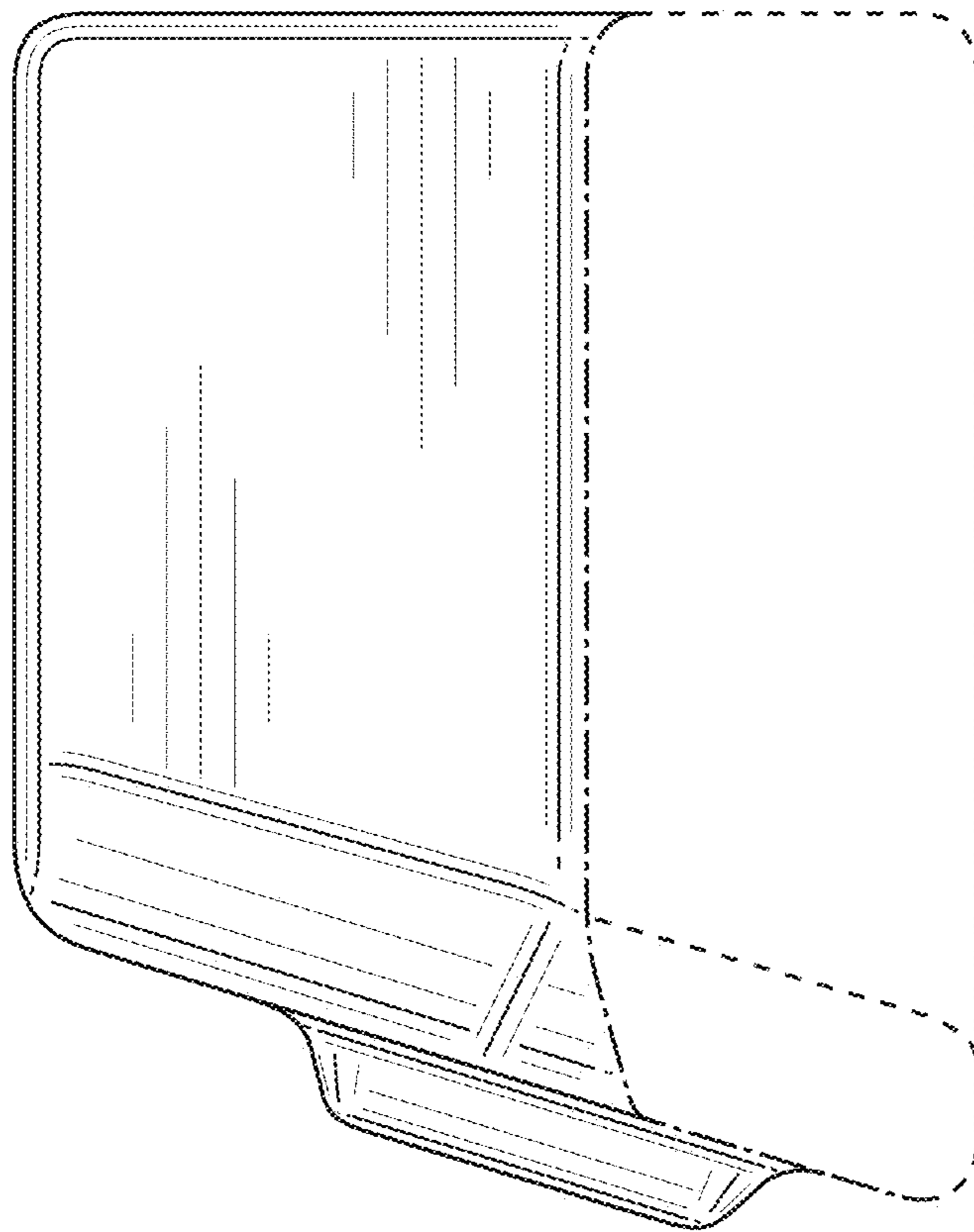


FIG. 8

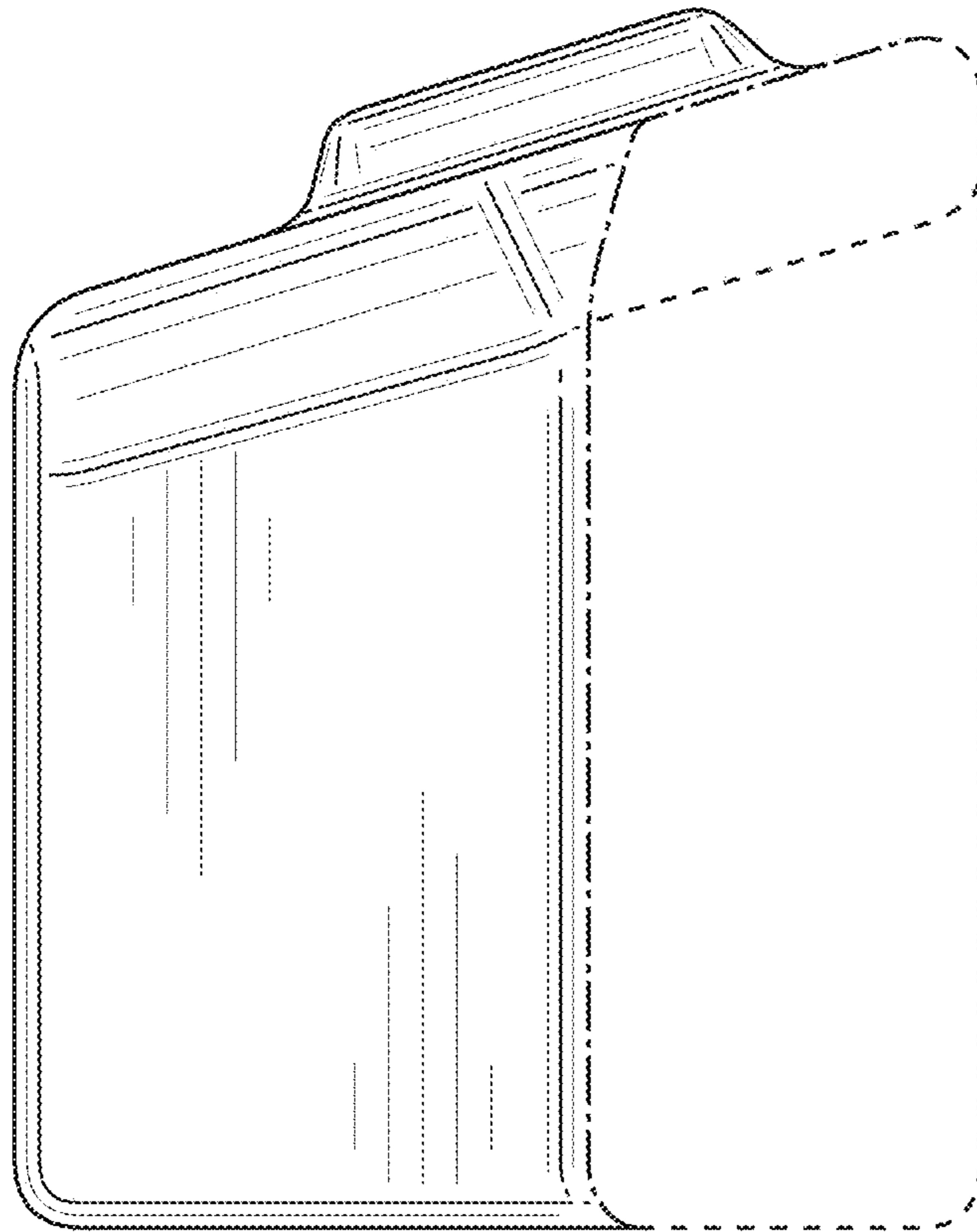


FIG. 9

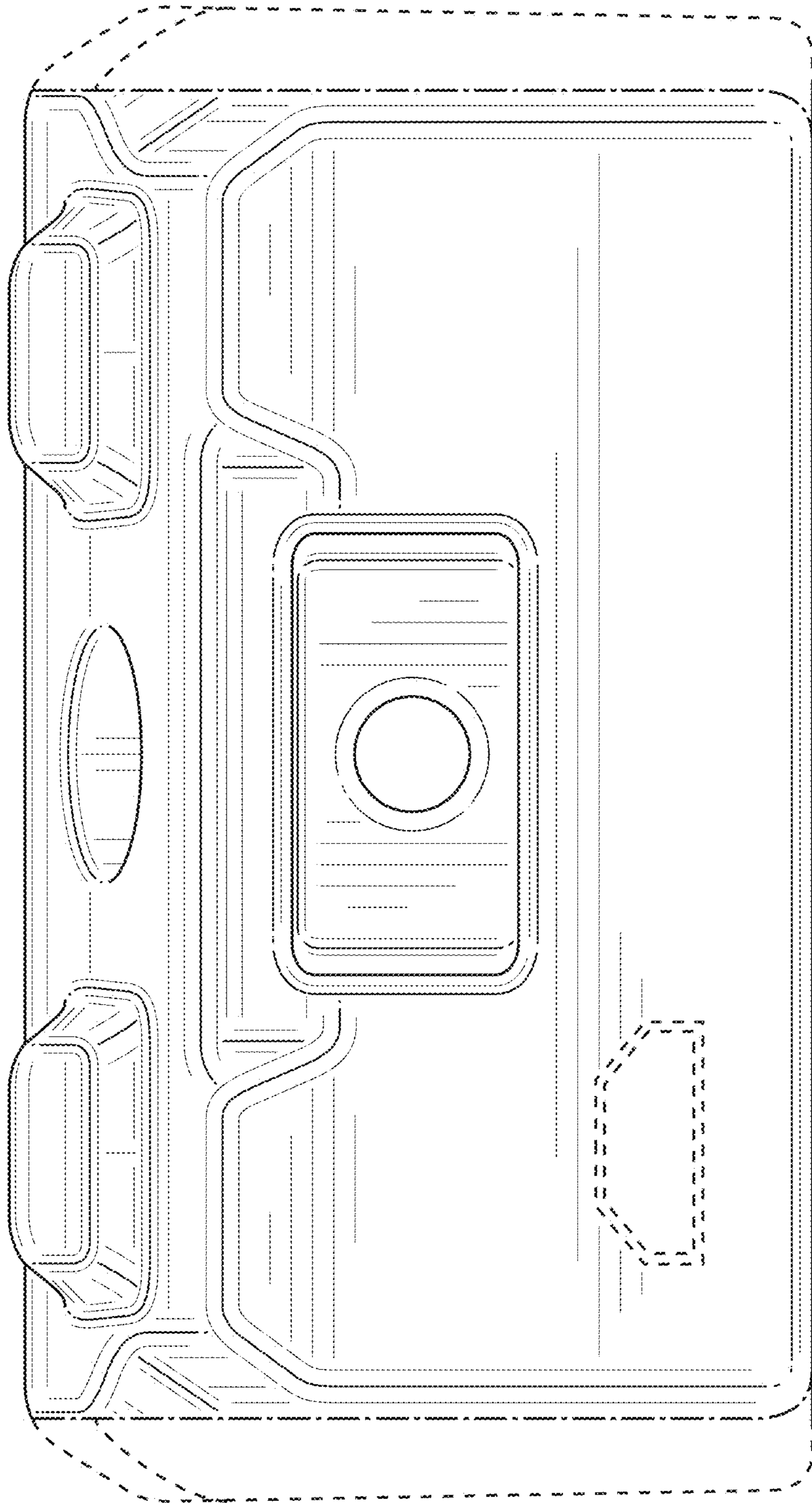


FIG. 10

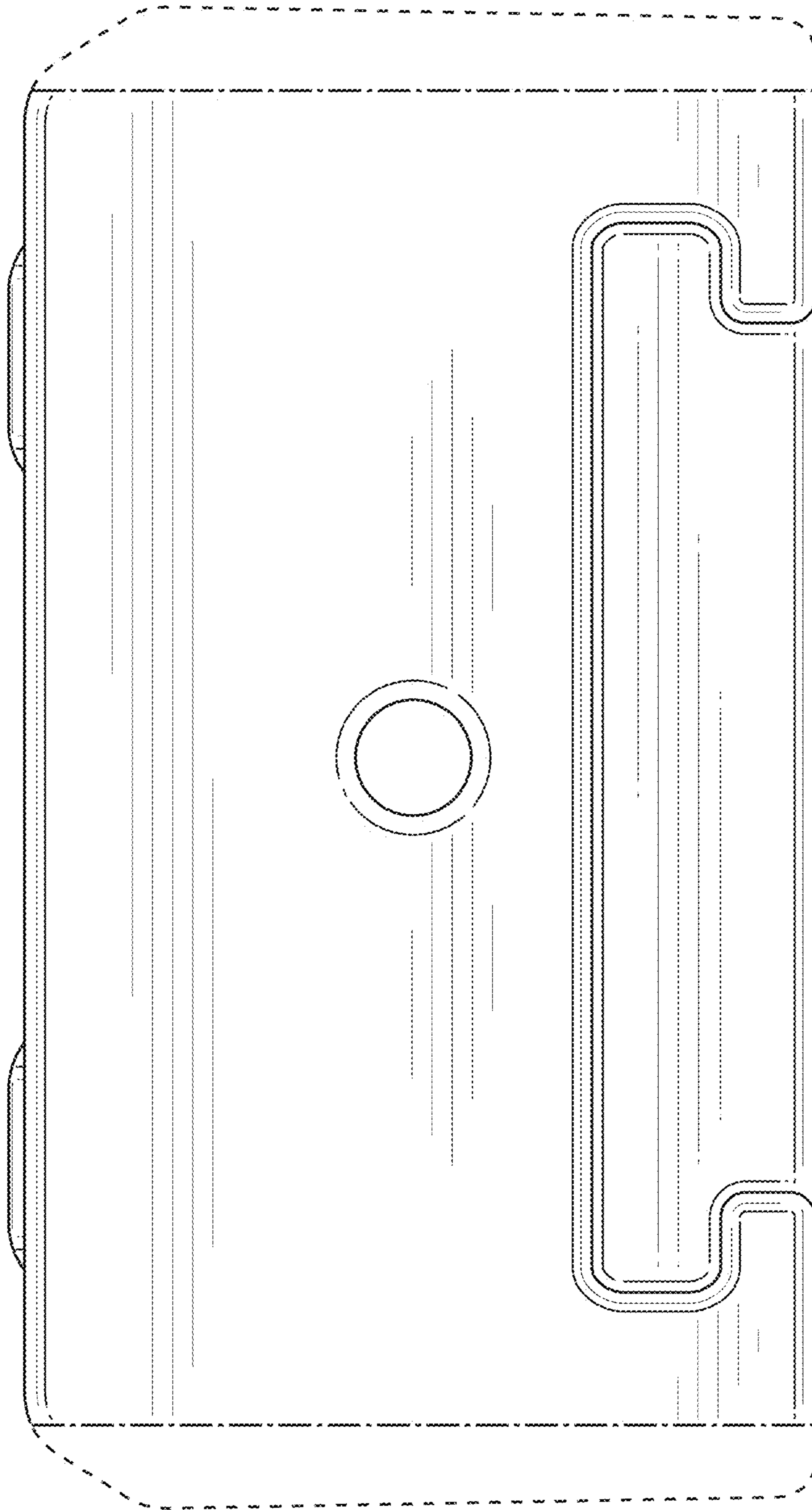


FIG. 11