



US00D933717S

(12) **United States Design Patent**
Andrews

(10) **Patent No.:** **US D933,717 S**
(45) **Date of Patent:** **** Oct. 19, 2021**

(54) **MOUNTING HUB FOR AN AGRICULTURAL TILLAGE CHAIN**

(71) Applicant: **K S Paterson Nominees Pty Ltd, Bute (AU)**

(72) Inventor: **Russell Andrews, Toowoomba (AU)**

(73) Assignee: **K S Paterson Nominees Pty Ltd, Bute (AU)**

(**) Term: **15 Years**

(21) Appl. No.: **29/640,024**

(22) Filed: **Mar. 12, 2018**

(51) **LOC (13) Cl.** **15-03**

(52) **U.S. Cl.**
USPC **D15/28**

(58) **Field of Classification Search**
USPC D15/28, 10, 11, 27, 33, 17
CPC A01B 21/08; A01B 23/06; A01B 7/00
See application file for complete search history.

(56) **References Cited**

U.S. PATENT DOCUMENTS

1,568,897 A *	1/1926	McKay	A01B 21/08 172/536
D299,239 S *	1/1989	Henningsen	D15/28
D299,240 S *	1/1989	Henningsen	D15/28
D694,284 S *	11/2013	Paterson	D15/28
D694,285 S *	11/2013	Paterson	D15/28

D700,219 S *	2/2014	Paterson	D15/28
D742,725 S *	11/2015	Paterson	D8/367
D821,451 S *	6/2018	Paterson	D15/28
D856,377 S *	8/2019	Ainge	D15/28
D856,378 S *	8/2019	Ainge	D15/28
D856,382 S *	8/2019	Ainge	D15/29
2017/0013770 A1 *	1/2017	Ainge	A01B 21/08
2020/0170166 A1 *	6/2020	Paterson	A01B 23/06

* cited by examiner

Primary Examiner — Mark A Goodwin

(74) *Attorney, Agent, or Firm* — Marshall, Gerstein & Borun LLP

(57) **CLAIM**

The ornamental design of a mounting hub for an agricultural tillage chain, as shown.

DESCRIPTION

FIG. 1 is a top, front, and left-side view of a mounting hub for an agricultural tillage chain.

FIG. 2 is a left-side elevation view.

FIG. 3 is a front elevation view.

FIG. 4 is a top, back, and right-side elevation view.

FIG. 5 is a right-side side elevation view.

FIG. 6 is a back elevation view.

FIG. 7 is top plan view.

FIG. 8 is a top, front, and right-side view.

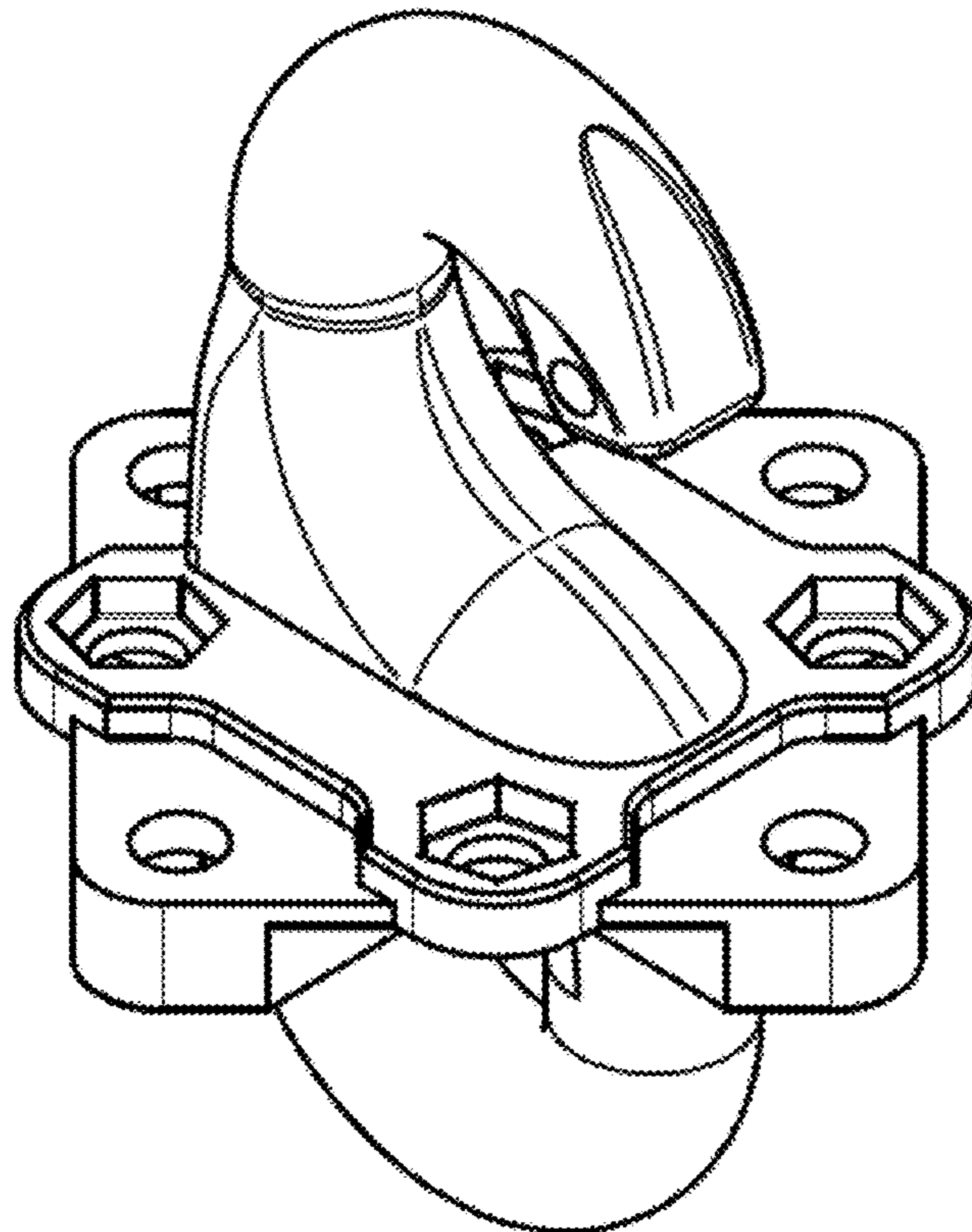
FIG. 9 is a top, back, and left-side view.

FIG. 10 is a bottom, front, and left side view.

FIG. 11 is a bottom, front, and right-side view; and,

FIG. 12 is a bottom plan view.

1 Claim, 4 Drawing Sheets



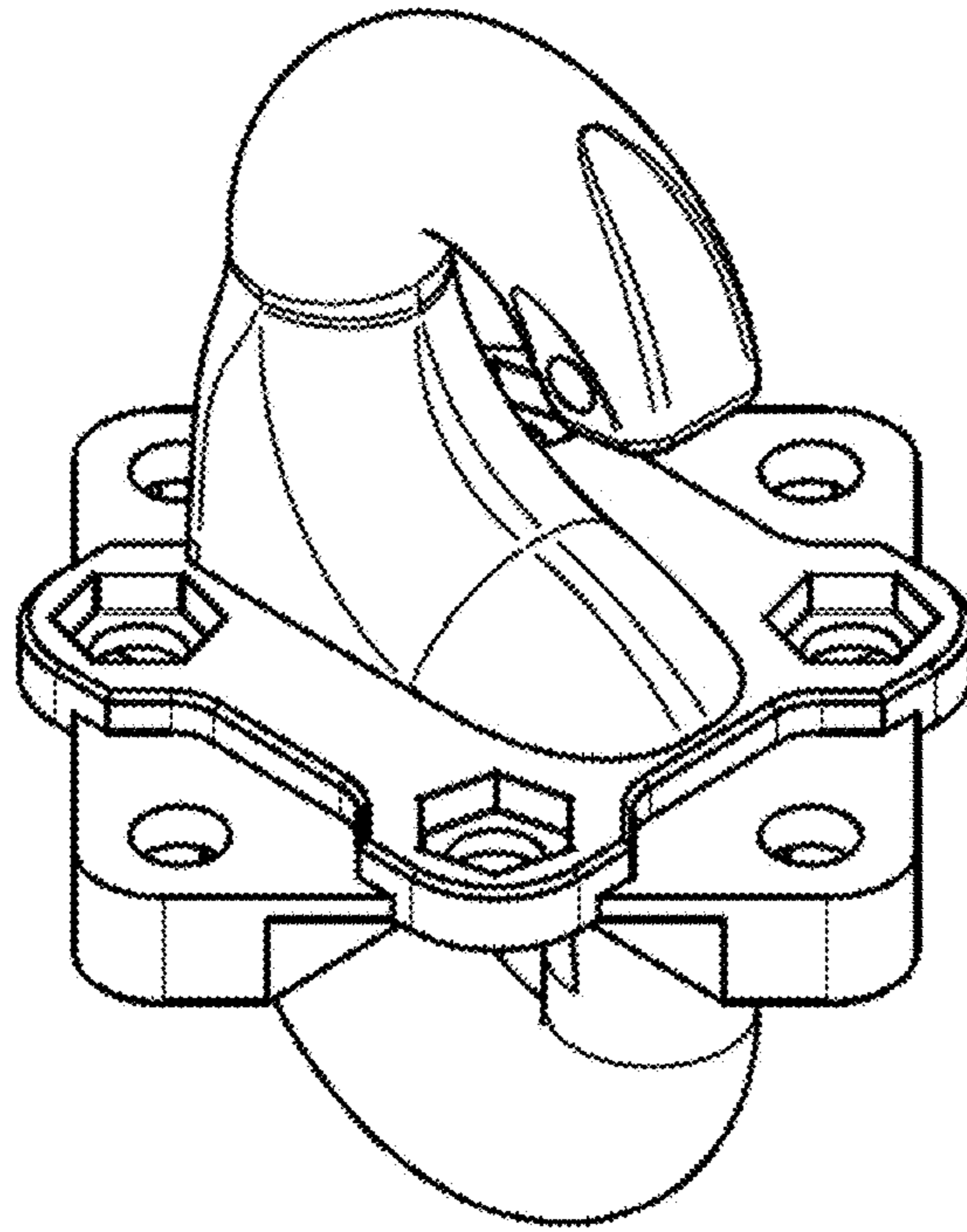


Fig. 1

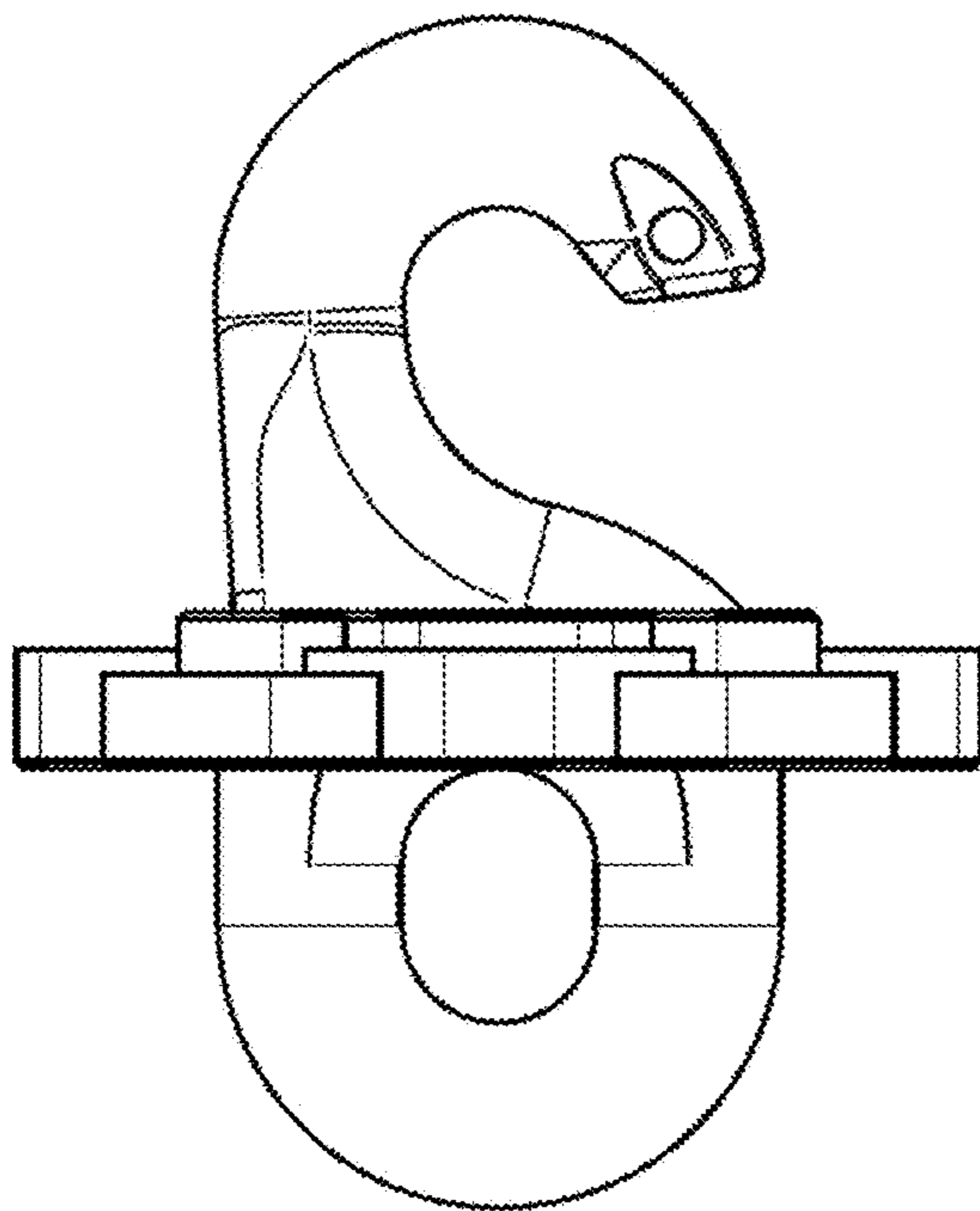


Fig. 2

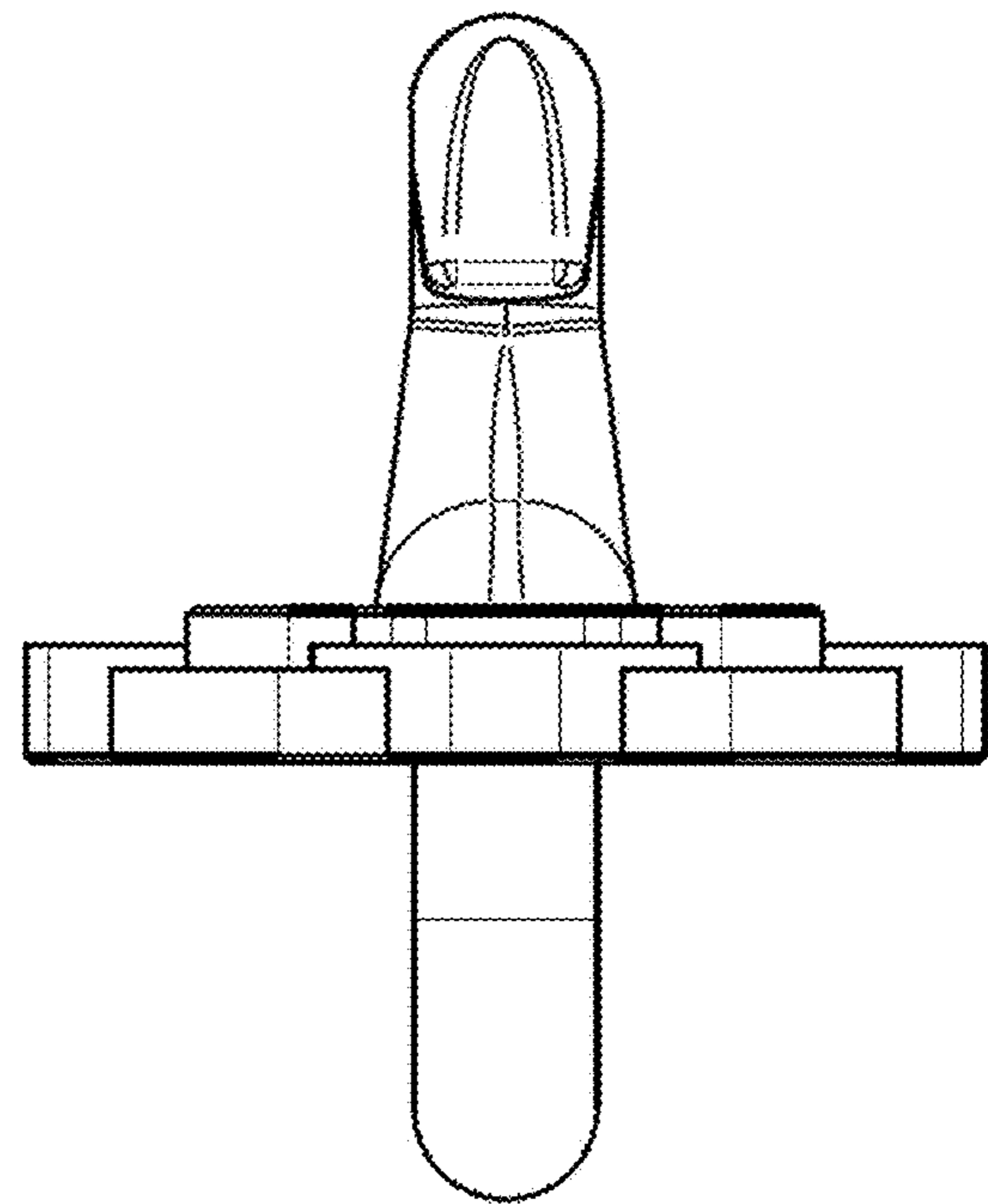


Fig. 3

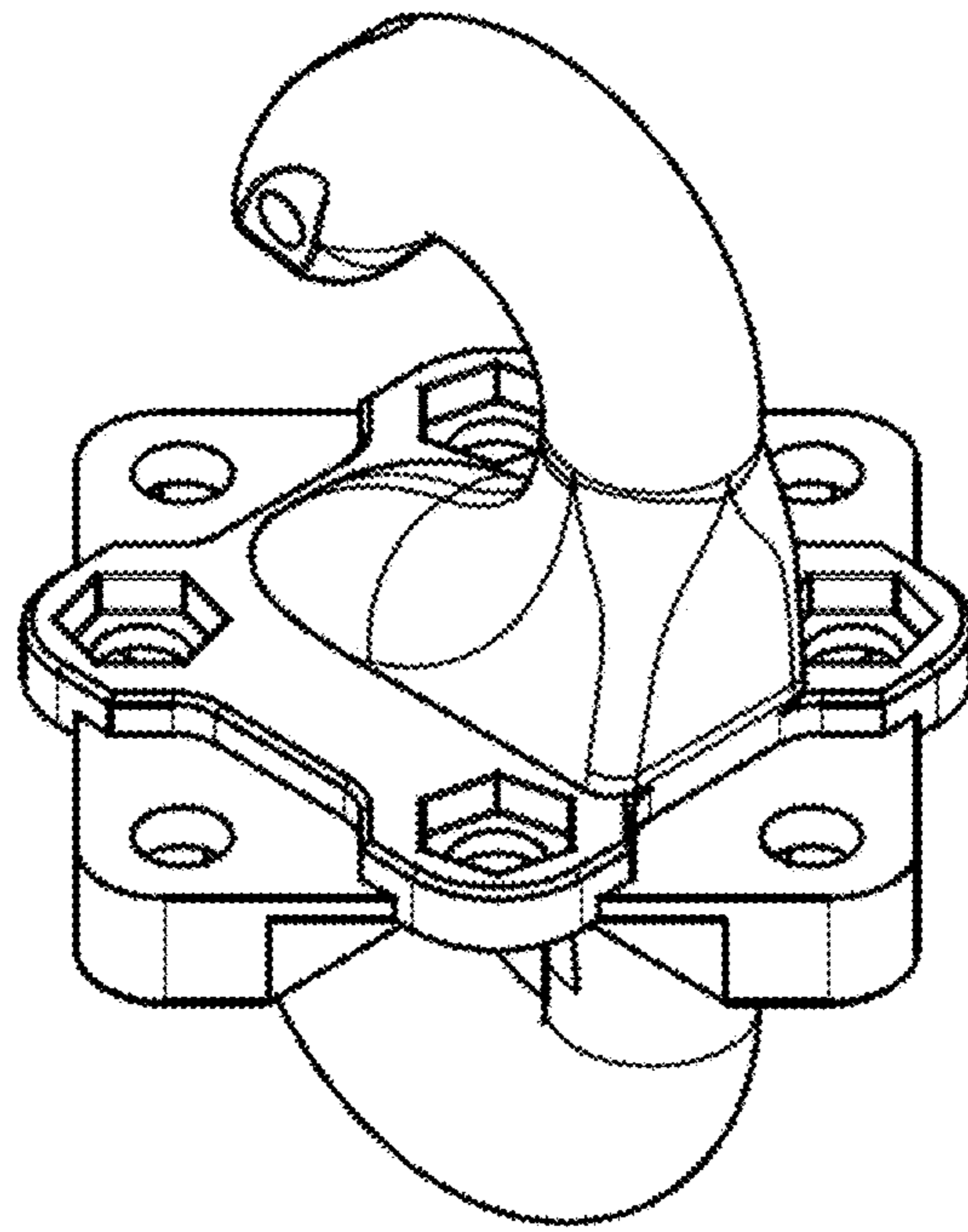


Fig. 4

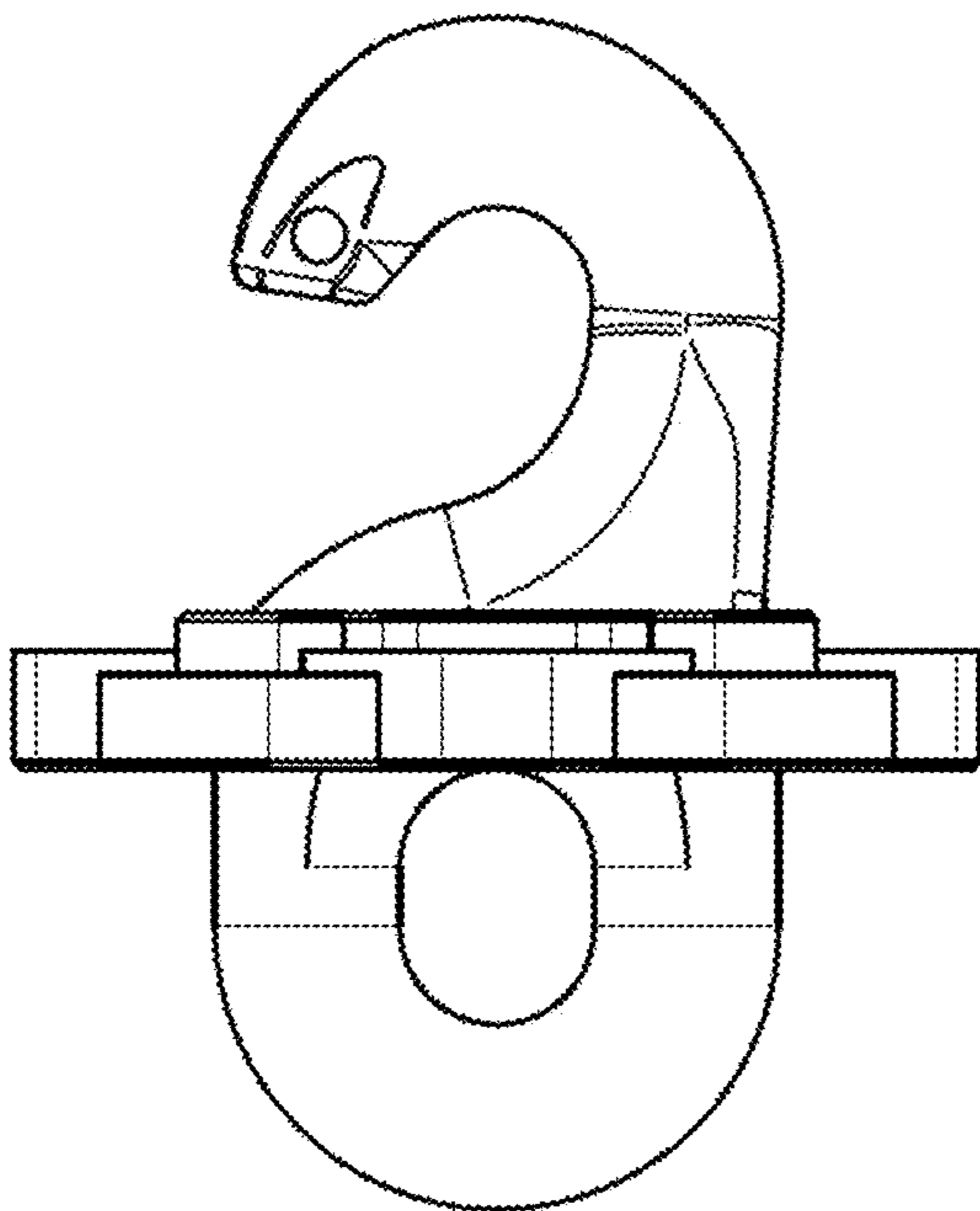


Fig. 5

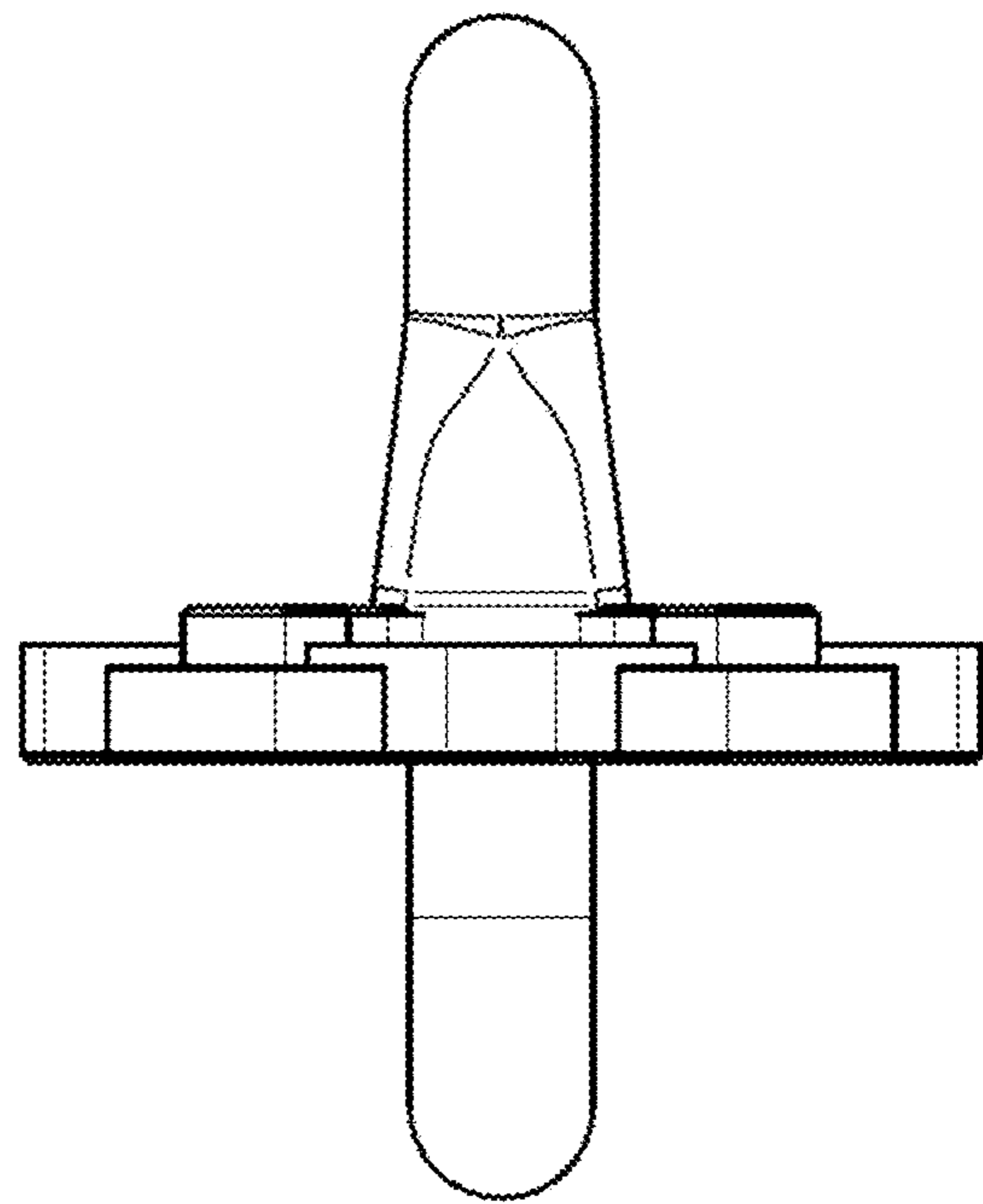


Fig. 6

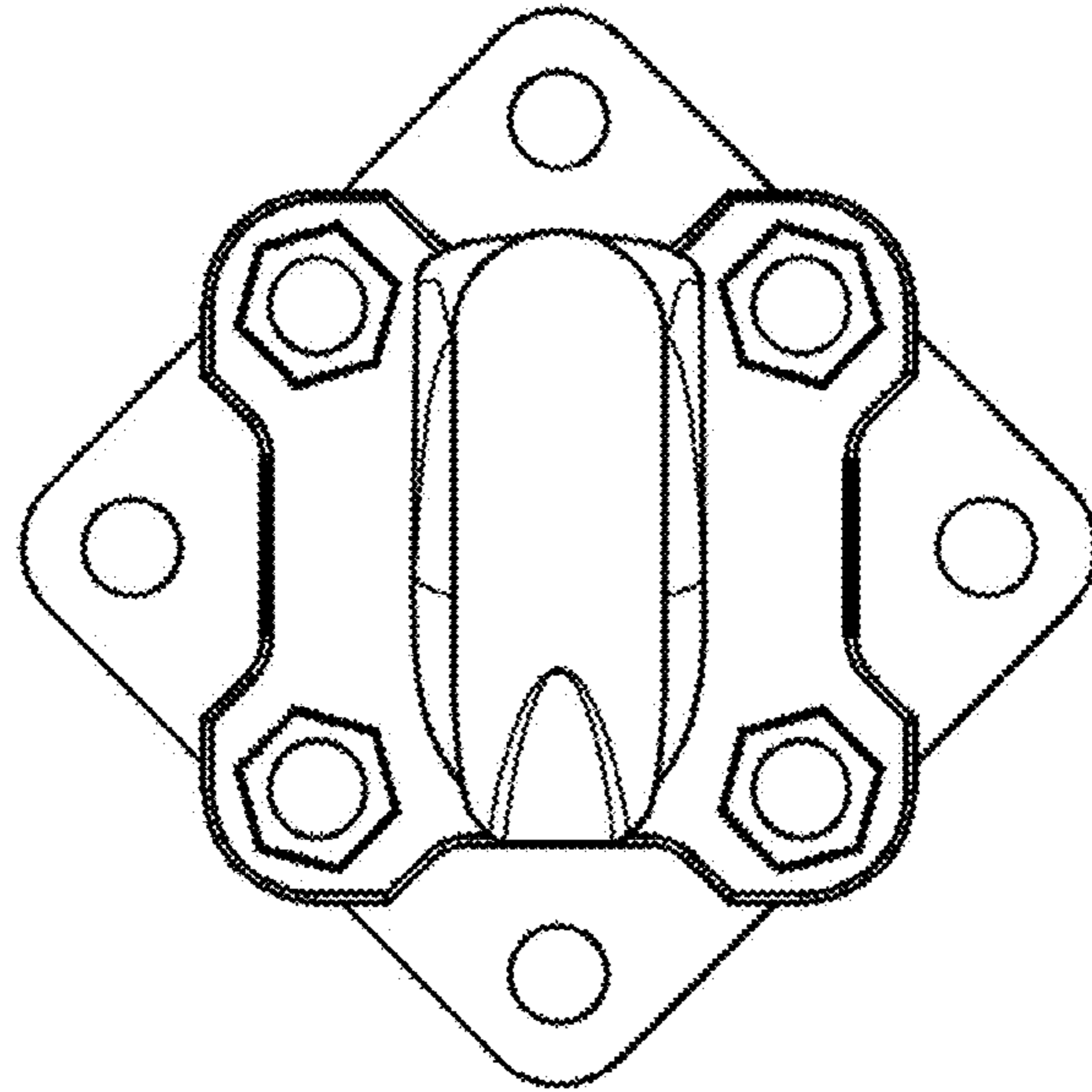


Fig. 7

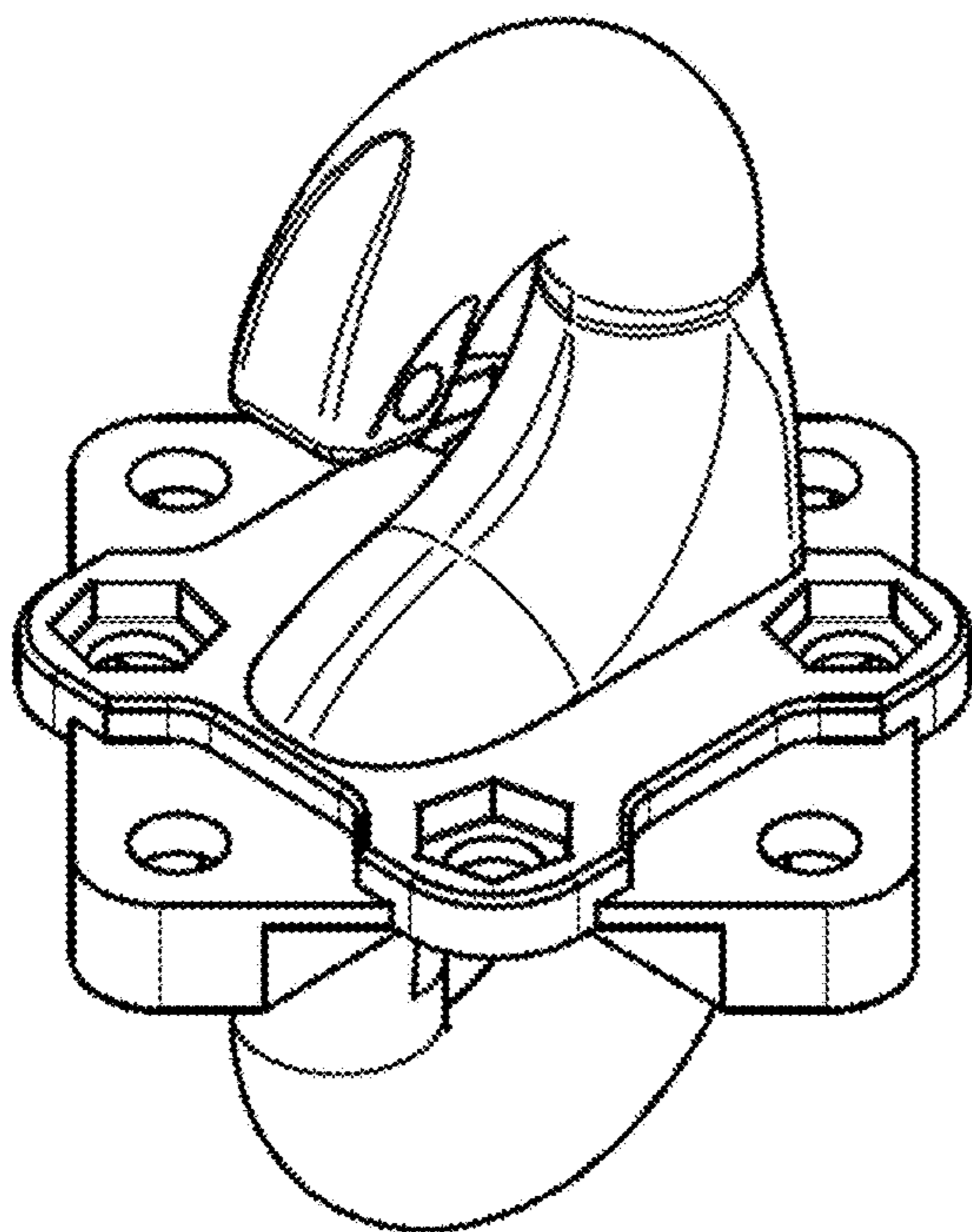


Fig. 8

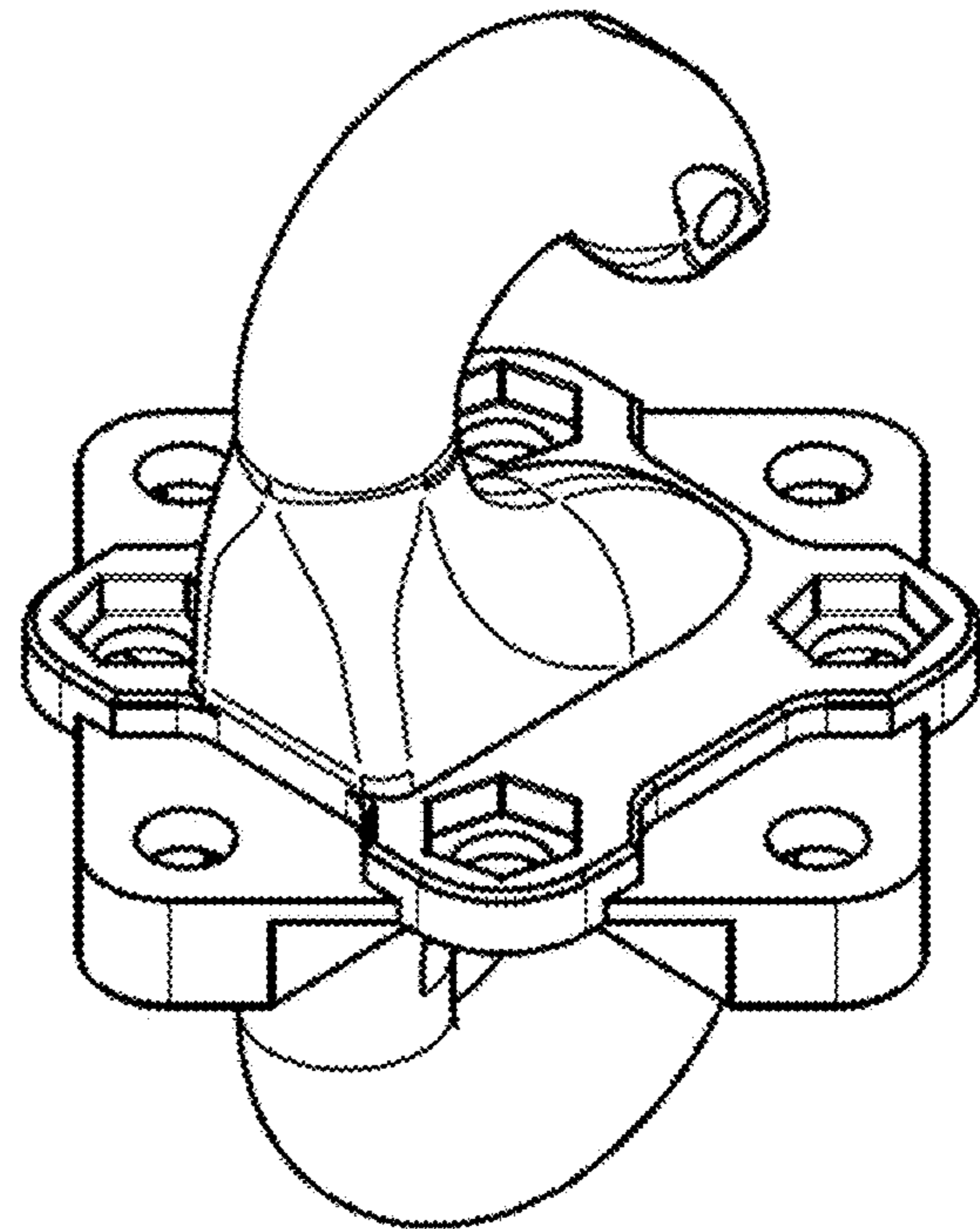


Fig. 9

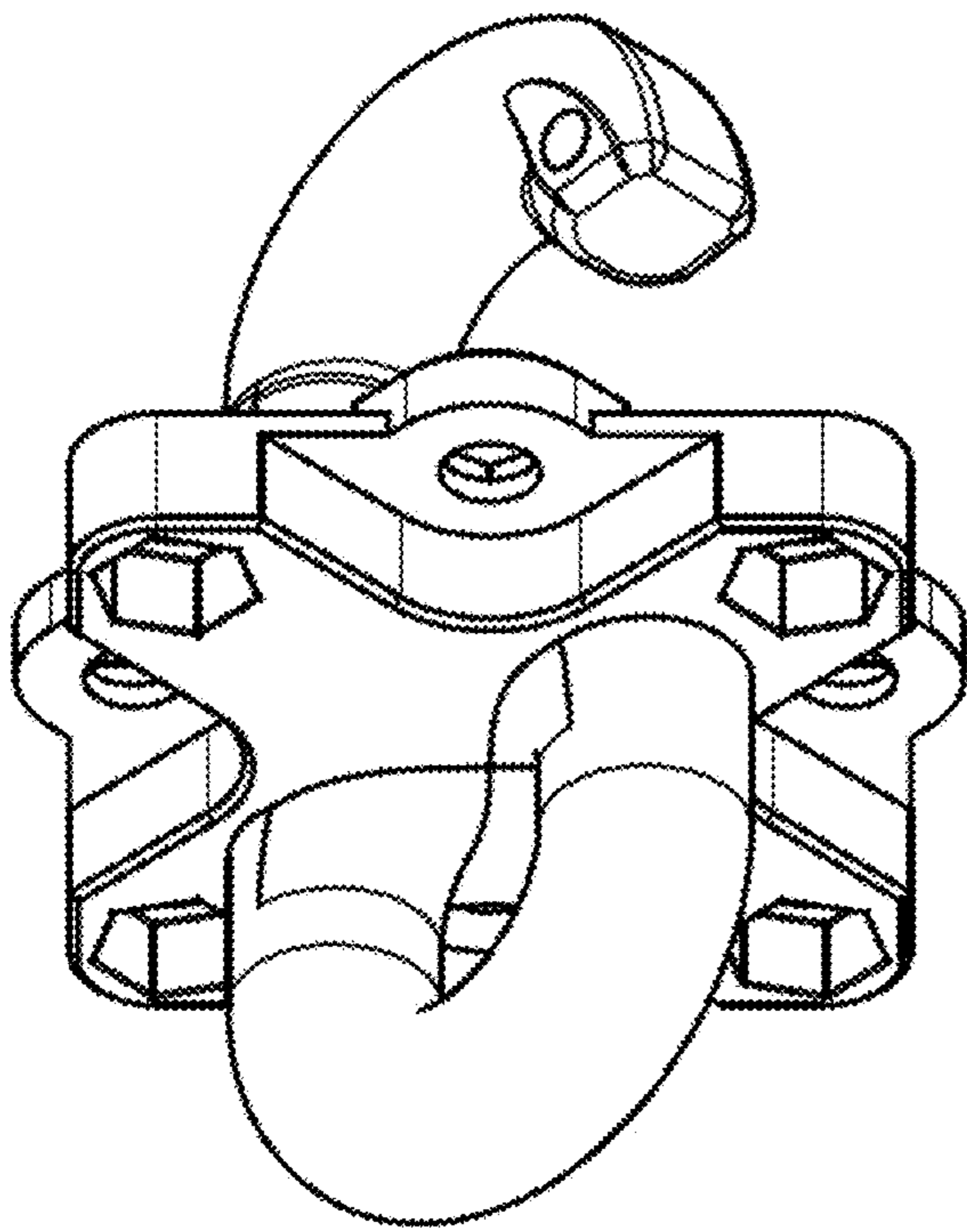


Fig. 10

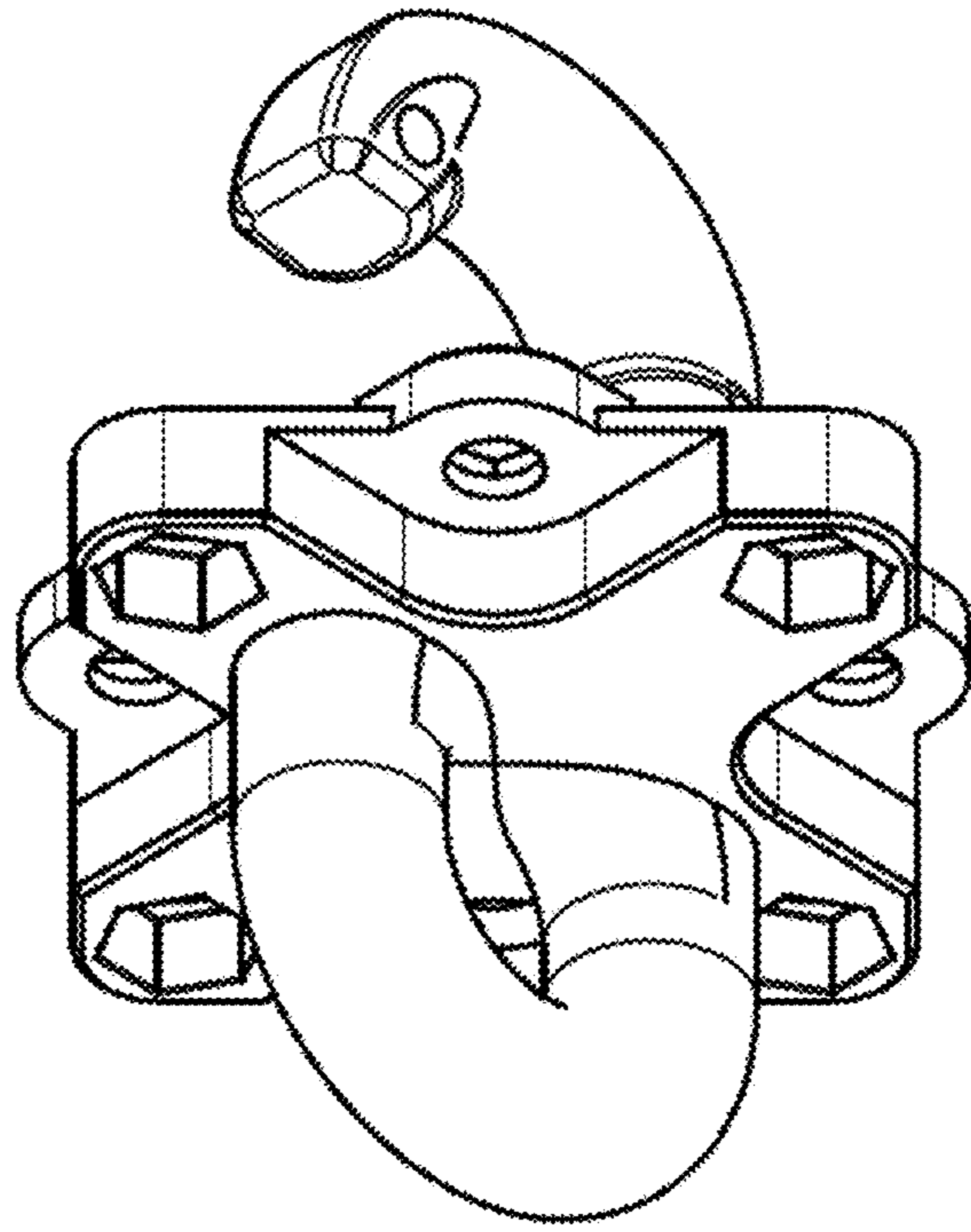


Fig. 11

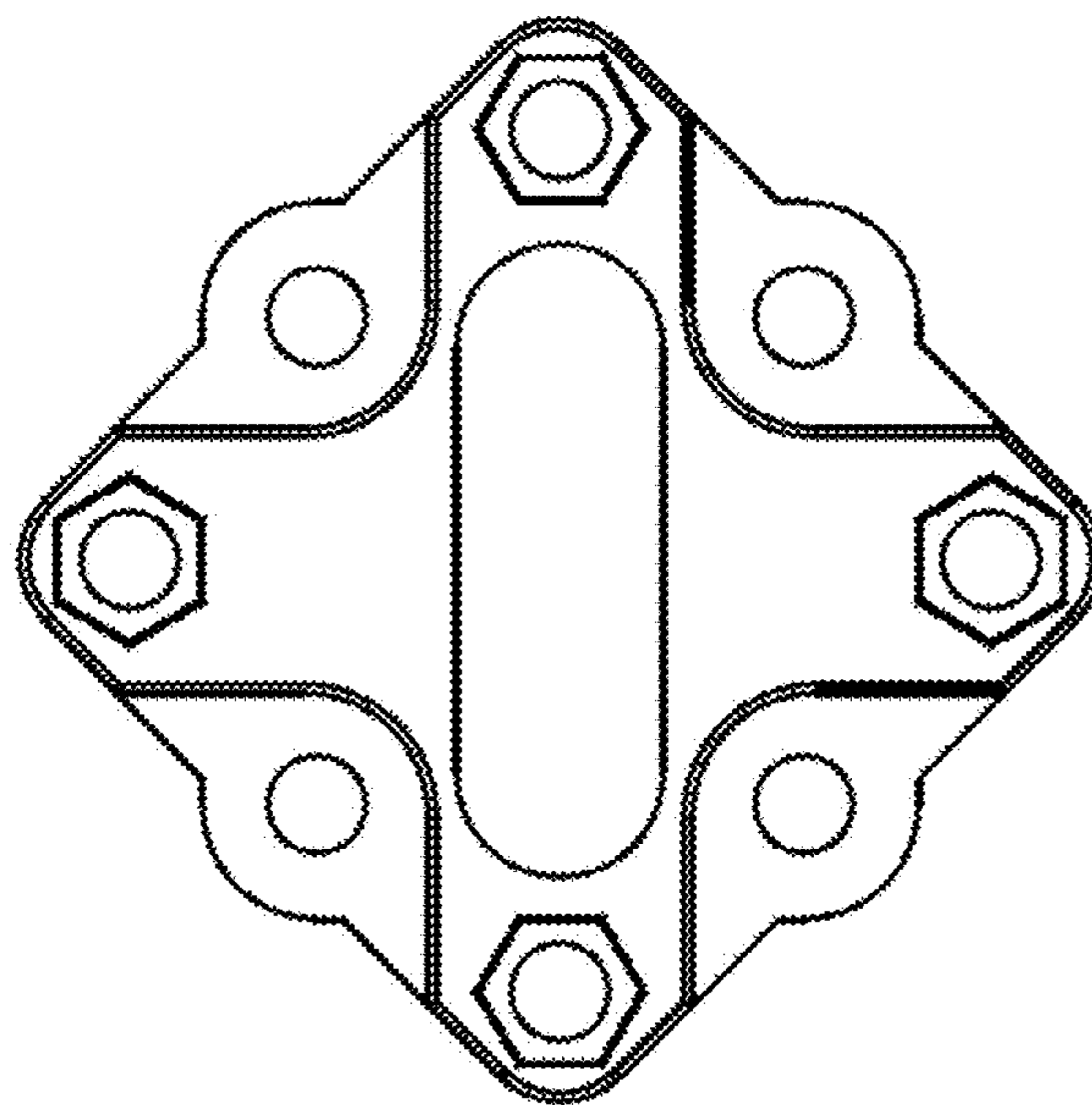


Fig. 12