



US00D933715S

(12) **United States Design Patent** (10) **Patent No.:** **US D933,715 S**  
**McCain et al.** (45) **Date of Patent:** **\*\* Oct. 19, 2021**

(54) **AGRICULTURAL VEHICLE WITH A  
FIXED-HEIGHT ELEVATED PLATFORM**

FOREIGN PATENT DOCUMENTS

SU 379264 A1 4/1973

(71) Applicant: **Cruiser Products, LLC**, St. Henry, OH (US)

OTHER PUBLICATIONS

(72) Inventors: **Michael T. McCain**, Fort Recovery, OH (US); **Dan Lennartz**, Fort Recovery, OH (US); **Craig Rauh**, Fort Recovery, OH (US); **Kurt Boeckman**, Portland, IN (US); **Brandon Miller**, Portland, IN (US)

Design U.S. Appl. No. 29/721,955.  
U.S. Appl. No. 16/795,821.

*Primary Examiner* — Mark A Goodwin  
(74) *Attorney, Agent, or Firm* — Frost Brown Todd LLC

(73) Assignee: **Cruiser Products, LLC**, St. Henry, OH (US)

(57) **CLAIM**

The ornamental design for an agricultural vehicle with a fixed-height elevated platform, as shown and described.

(\*\*) Term: **15 Years**

(21) Appl. No.: **29/721,951**

**DESCRIPTION**

(22) Filed: **Jan. 24, 2020**

(51) **LOC (13) Cl.** ..... **15-03**

(52) **U.S. Cl.**  
USPC ..... **D15/10**

(58) **Field of Classification Search**  
USPC ..... D15/10-33  
CPC .... E04G 1/24; E04G 1/18; E04G 1/28; E06C 5/02; E06C 1/39; E06C 1/397  
See application file for complete search history.

FIG. 1 is a perspective view of an agricultural vehicle with a fixed-height elevated platform showing our new design. FIG. 2 is a front elevation view of the agricultural vehicle with the fixed-height elevated platform of FIG. 1. FIG. 3 is a rear elevation view of the agricultural vehicle with the fixed-height elevated platform of FIG. 1. FIG. 4 is a left side elevation view of the agricultural vehicle with the fixed-height elevated platform of FIG. 1. FIG. 5 is a right side elevation view of the agricultural vehicle with the fixed-height elevated platform of FIG. 1. FIG. 6 is a top plan view of the agricultural vehicle with the fixed-height elevated platform of FIG. 1; and, FIG. 7 is a bottom plan view of the agricultural vehicle with the fixed-height elevated platform of FIG. 1. The dot-dot-dash lines in the drawings are included for the purpose of illustrating portions of the agricultural vehicle with the fixed-height elevated platform that form no part of the claimed design. The appearance of any portion of the agricultural vehicle with the fixed-height elevated platform between and including the dot-dash-dot lines form no part of the claimed design.

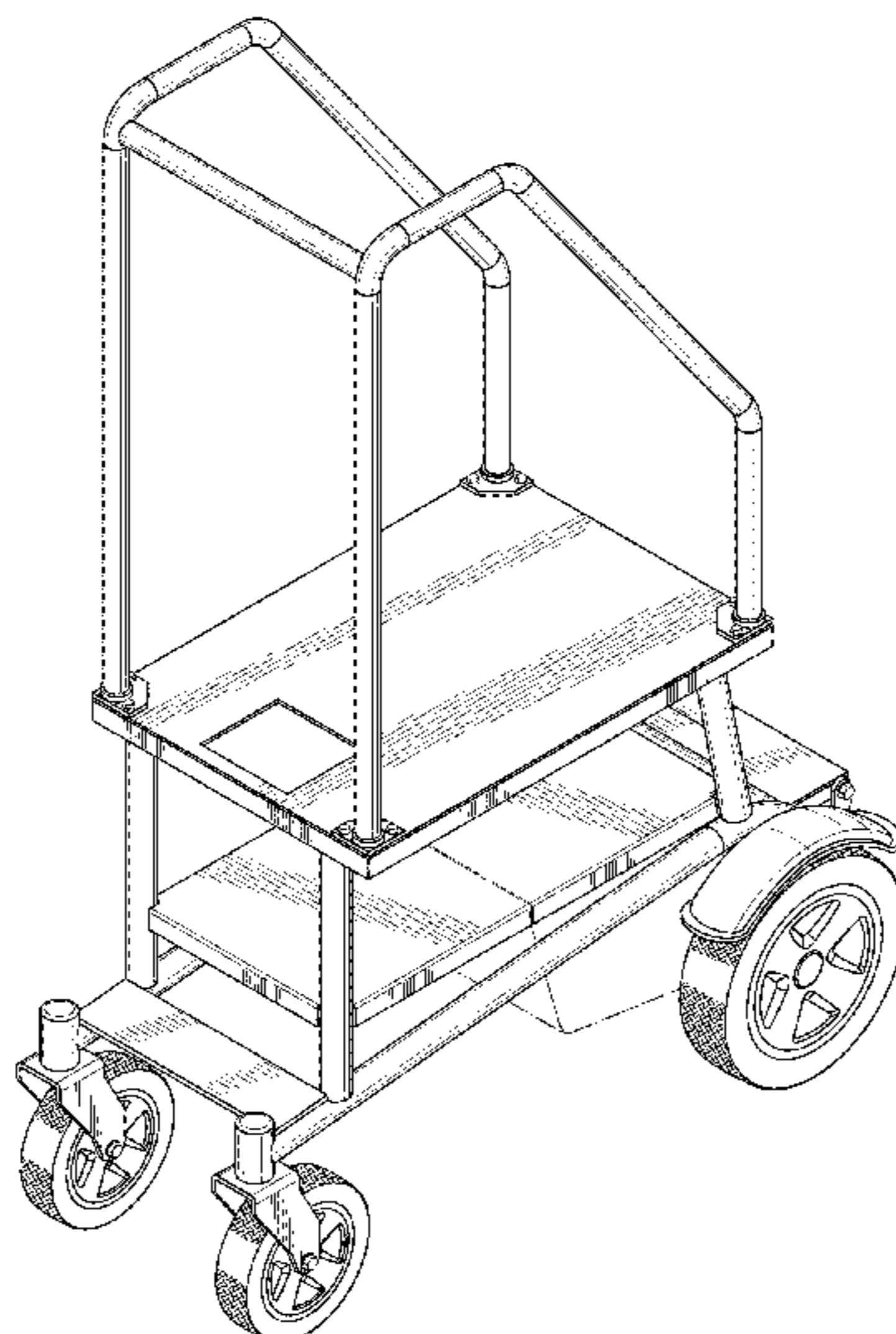
(56) **References Cited**

U.S. PATENT DOCUMENTS

2,750,236	A *	6/1956	Middendorf .....	B66F 11/04 182/101
2,763,240	A	9/1956	Duncan	
2,798,652	A	7/1957	Easton	
2,899,010	A	8/1959	Ledgerwood	
3,180,450	A	4/1965	Crager et al.	
3,232,375	A	2/1966	Warthen	
3,276,542	A	10/1966	Pierre	
3,422,922	A	1/1969	Aiken	
3,429,398	A	2/1969	Reynolds et al.	

(Continued)

**1 Claim, 7 Drawing Sheets**



US D933,715 S

(56)

References Cited

U.S. PATENT DOCUMENTS

3,529,696	A	9/1970	Jacobsen		6,378,642	B1	4/2002	Sutton	
3,537,546	A	11/1970	Klosk		6,431,314	B1 *	8/2002	Boulanger .....	B62D 7/142
3,684,055	A	8/1972	Rice						180/65.1
3,731,758	A	5/1973	Hibma		6,474,689	B2	11/2002	Mulhern et al.	
3,752,261	A	8/1973	Bushnell, Jr.		6,637,549	B1	10/2003	Lopacki	
3,817,346	A	6/1974	Wehmeyer		6,820,358	B1	11/2004	Huelsewiesche	
3,865,203	A *	2/1975	Hibma .....	E04G 5/00	6,851,498	B1	2/2005	Sauve	
				180/2.1	6,860,512	B2	3/2005	Lawson, Jr.	
3,930,548	A	1/1976	Wallraff		6,932,194	B1 *	8/2005	Chipman .....	E04G 1/28
3,961,681	A	6/1976	Fisher						182/106
4,053,025	A	10/1977	Slusarenko		6,976,287	B2	12/2005	Muth	
4,112,874	A	9/1978	Forrest		7,341,121	B2	3/2008	Flowers et al.	
4,390,080	A	6/1983	Bushnell, Jr.		7,509,923	B2	3/2009	Adams et al.	
4,475,611	A	10/1984	Fisher		8,434,592	B1	5/2013	Young	
4,499,856	A	2/1985	Hecht et al.		9,051,019	B2	6/2015	Reck	
4,538,695	A	9/1985	Bradt		9,574,356	B2	2/2017	Jutte et al.	
4,614,251	A	9/1986	Hawkins		9,903,126	B2 *	2/2018	Rowsome .....	E04G 1/22
4,711,403	A	12/1987	Gregory, Sr. et al.		10,602,723	B2	3/2020	Jutte et al.	
4,750,578	A	6/1988	Brandenfels		2007/0089931	A1	4/2007	Hunt	
4,967,733	A *	11/1990	Rousseau .....	B66F 11/04	2008/0093166	A1 *	4/2008	Frolik .....	E06C 1/39
				182/13					182/17
5,722,506	A	3/1998	Takai		2009/0155033	A1	6/2009	Olsen et al.	
5,806,685	A	9/1998	Lastinger		2009/0205880	A1	8/2009	Hammonds et al.	
6,039,148	A	3/2000	Riegel		2011/0297465	A1	12/2011	Huntley et al.	
6,076,621	A	6/2000	Horn		2012/0211304	A1 *	8/2012	Rubey .....	E04G 1/24
6,209,492	B1	4/2001	Rankin						182/63.1
6,371,235	B1	4/2002	Wisecarver		2015/0104273	A1	4/2015	Van Kuilenburg et al.	
					2016/0053538	A1 *	2/2016	Wallther .....	E06C 1/397
									182/113

\* cited by examiner

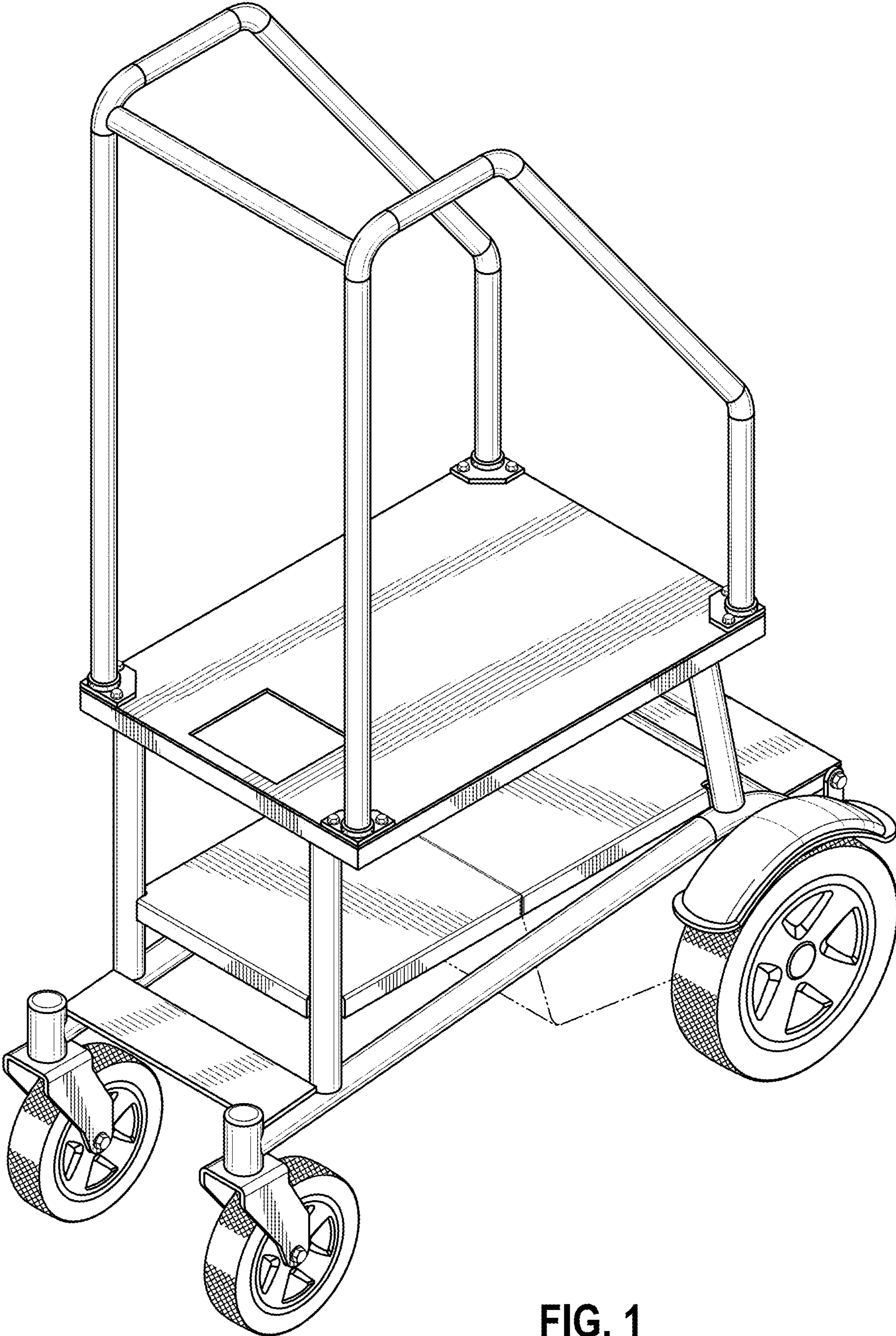


FIG. 1

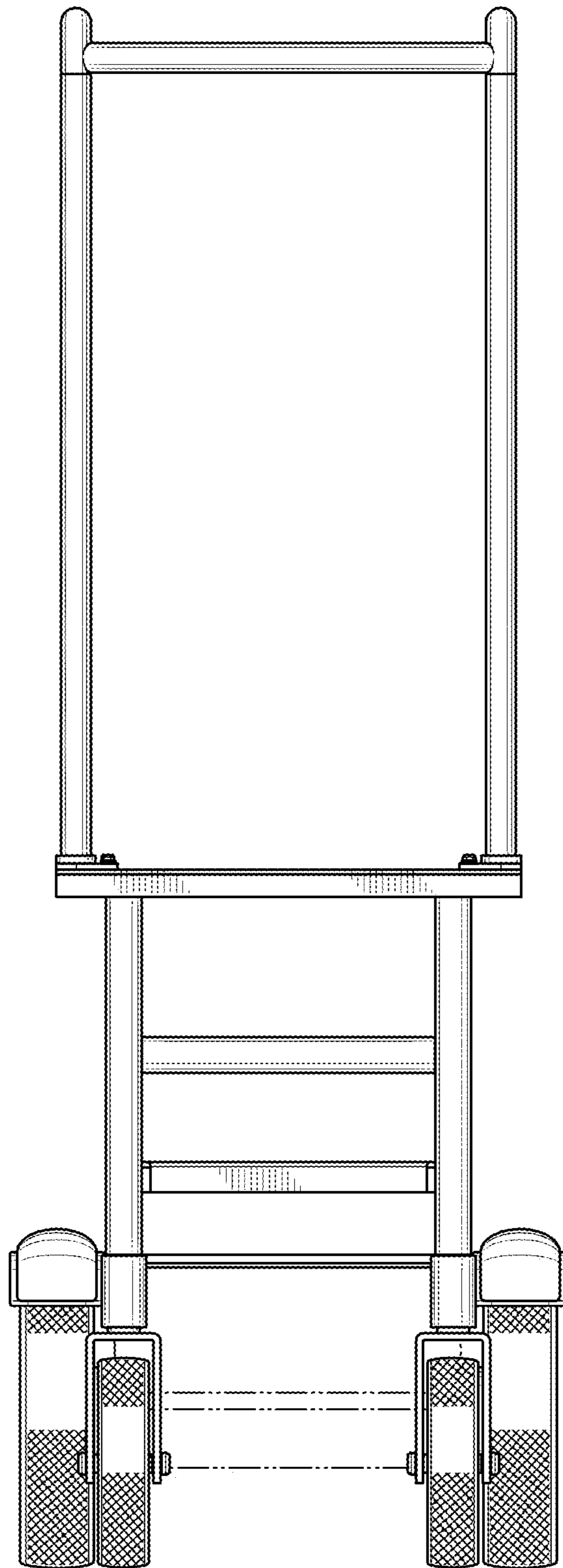


FIG. 2

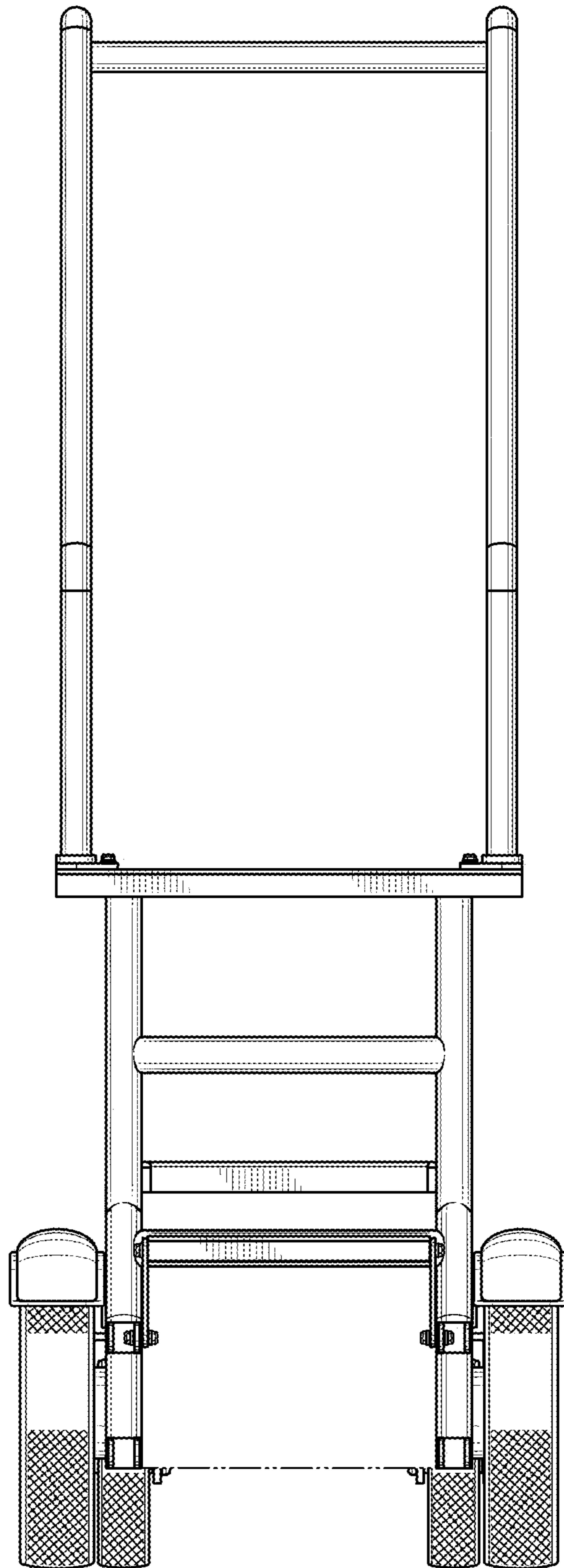


FIG. 3

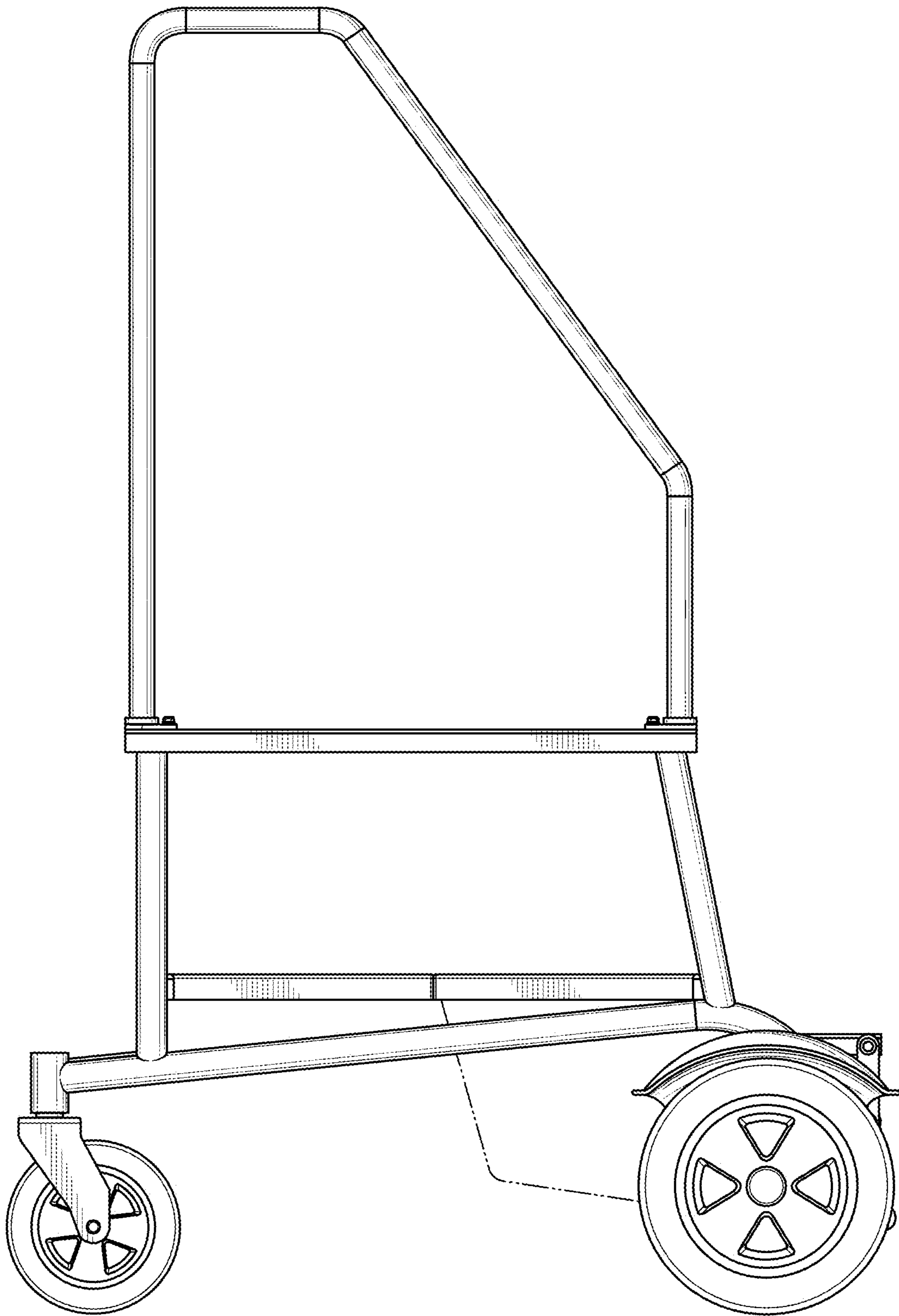


FIG. 4

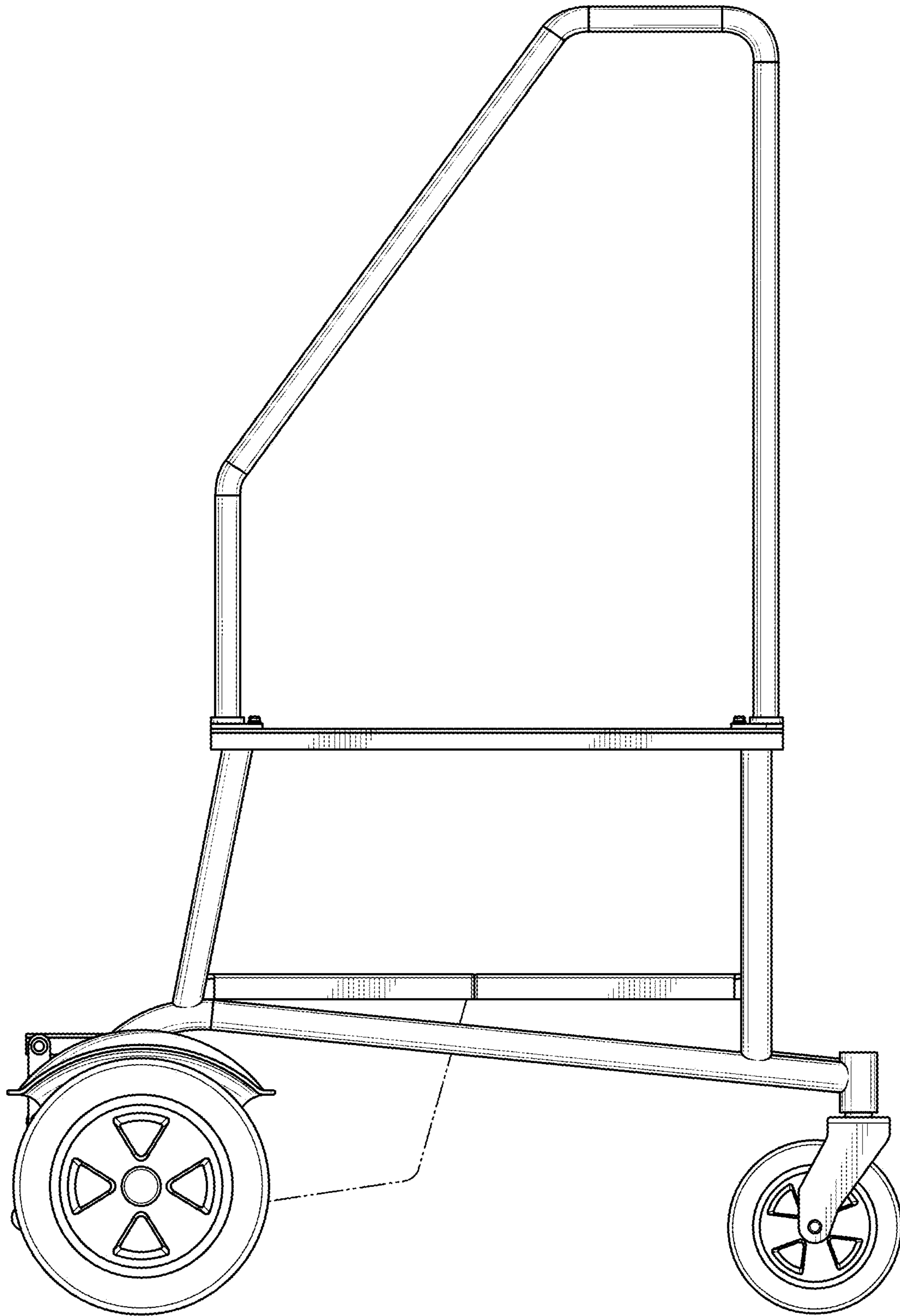


FIG. 5

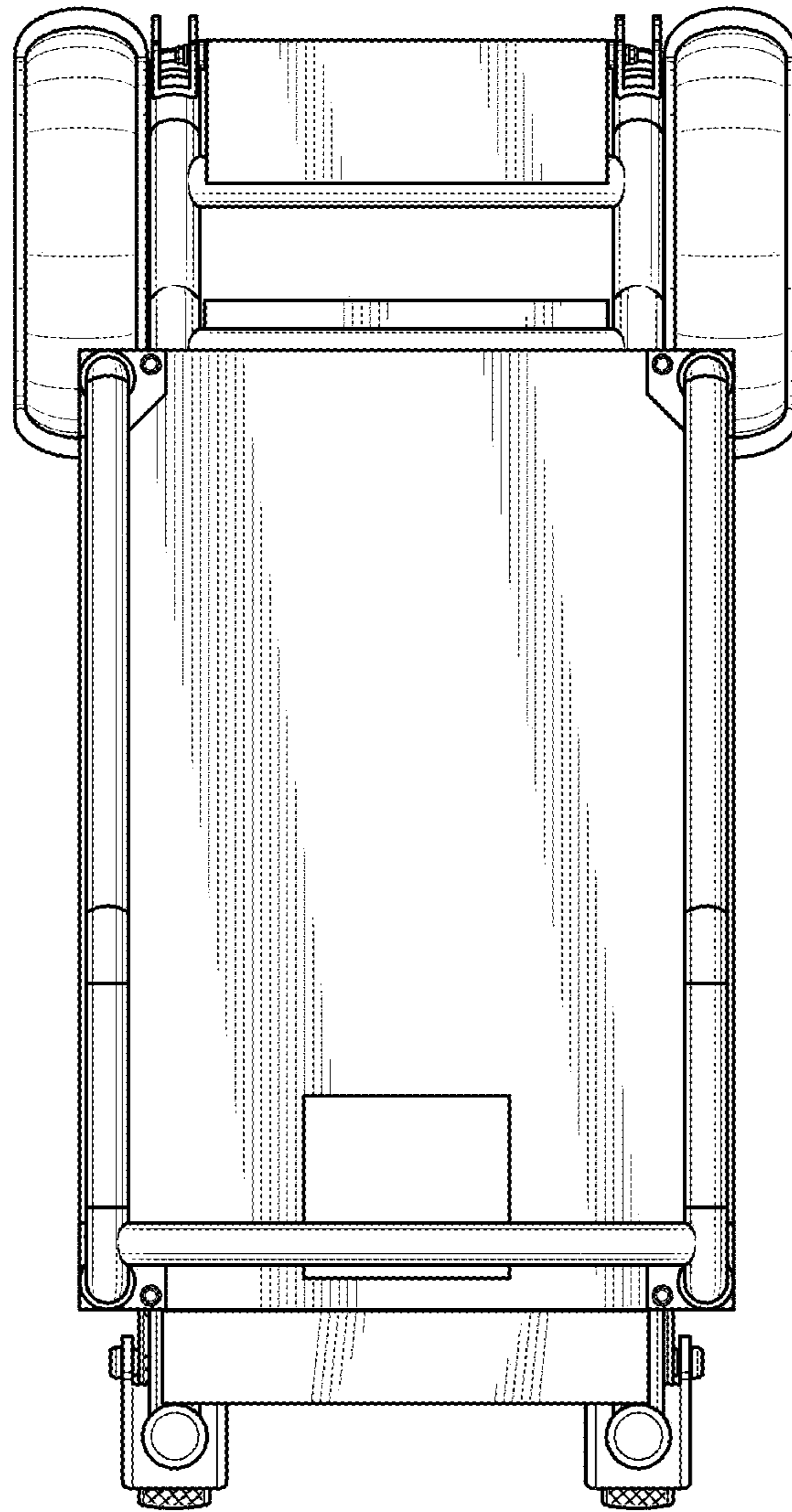


FIG. 6



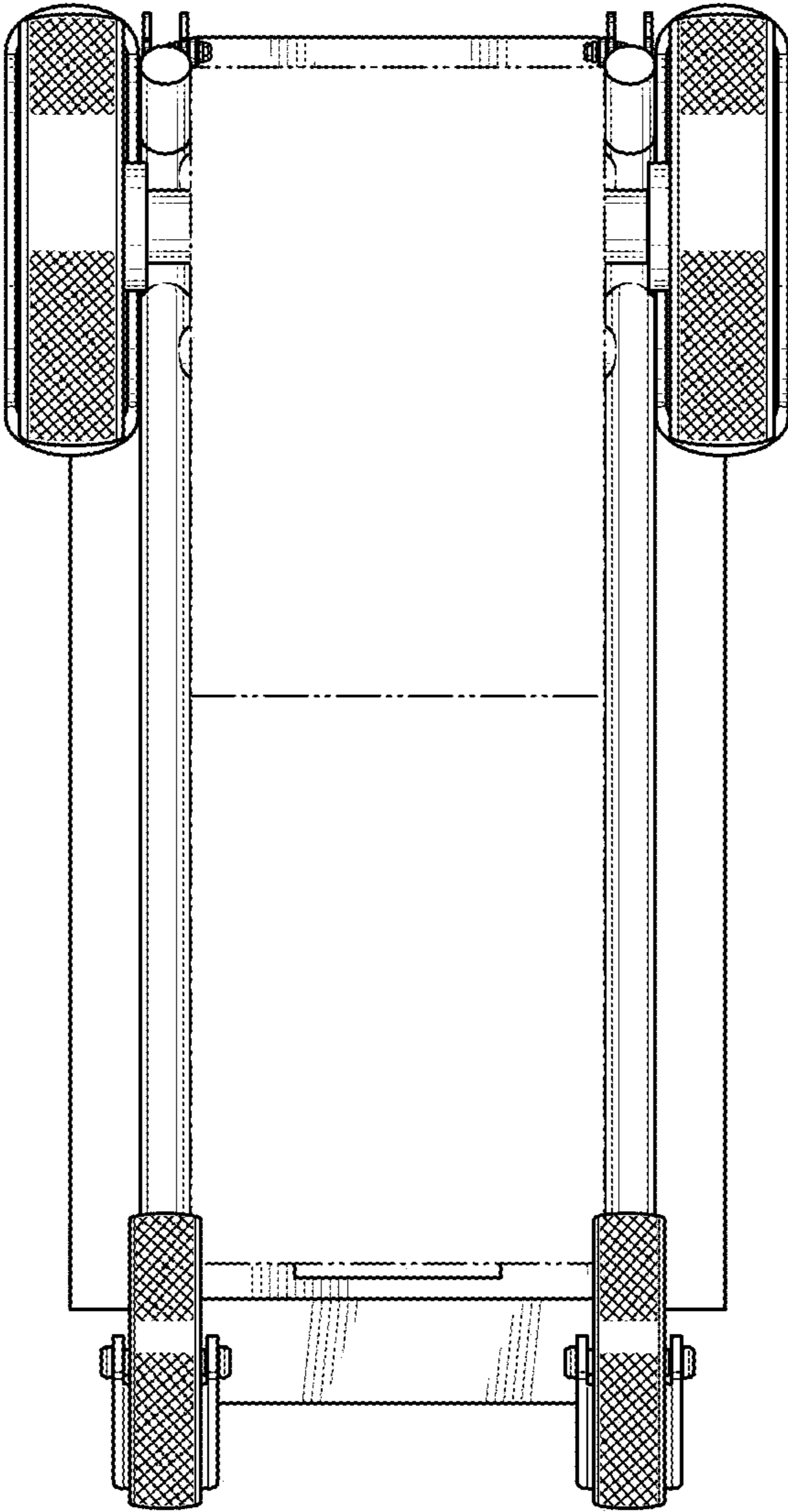


FIG. 7