



US00D933714S

(12) **United States Design Patent** (10) **Patent No.:** **US D933,714 S**
Brevini et al. (45) **Date of Patent:** **** Oct. 19, 2021**

(54) **METERING PUMP** 6,939,464 B1 * 9/2005 Jiang B01D 29/21
210/232
(71) Applicant: **MIXTRON S.R.L.**, Reggio Emilia (IT) D691,179 S * 10/2013 Charriere D15/7
D725,679 S * 3/2015 Charriere D15/7
(72) Inventors: **Renato Brevini**, Reggio Emilia (IT); D729,848 S * 5/2015 Charriere D15/7
Stefano Brevini, Reggio Emilia (IT) 9,303,634 B2 * 4/2016 Furet F04B 43/107
D769,943 S * 10/2016 Charriere D15/7
(73) Assignee: **MIXTRON S.R.L.**, Reggio Emilia (IT) D803,892 S * 11/2017 Timmer D15/7
D850,489 S * 6/2019 Charriere D15/7
D851,130 S * 6/2019 Mahieux D15/7
D858,581 S * 9/2019 Charriere D15/7
(**) Term: **15 Years** (Continued)

(21) Appl. No.: **29/694,930**

(22) Filed: **Jun. 14, 2019**

(30) **Foreign Application Priority Data**

May 30, 2019 (EM) 006547576

(51) **LOC (13) Cl.** **15-02**

(52) **U.S. Cl.**
USPC **D15/7**

(58) **Field of Classification Search**
USPC D23/206, 213, 214, 225, 231, 232, 387,
D23/421; D15/5, 7-9, 199; D10/96, 97,
D10/99, 101
CPC F24H 2240/00; F24H 2240/02; F24H
2240/04; F24H 2240/06; F22D 5/00;
G01F 7/00; F04D 13/06; F04D 29/041;
F04D 29/22; F04D 29/60; F04D 29/605;
F04D 15/0088; F04D 15/0066; F04D
15/0245; F04B 17/03; F04B 17/046;
F04B 17/048; F04B 35/04; F04B 43/04;
F04B 43/043; F04B 13/02; F04B 53/22
See application file for complete search history.

(56) **References Cited**

U.S. PATENT DOCUMENTS

3,465,883 A * 9/1969 Jumper F22B 37/265
210/307
4,565,504 A * 1/1986 George F04B 9/127
417/401

OTHER PUBLICATIONS

Mixtron s.r.l., MX Dosers Water Powered Dosing Pumps, (pub-
lished May 2018), Available from Mixtron Website, URL:<<https://www.mixtron.it/wp-content/uploads/2020/07/Scheda-TecnicaNGLESE-MX-generale.pdf>> (Year: 2018).*

(Continued)

Primary Examiner — Sheryl Lane
Assistant Examiner — Mark T. Philipps
(74) *Attorney, Agent, or Firm* — Browdy and Neimark,
PLLC

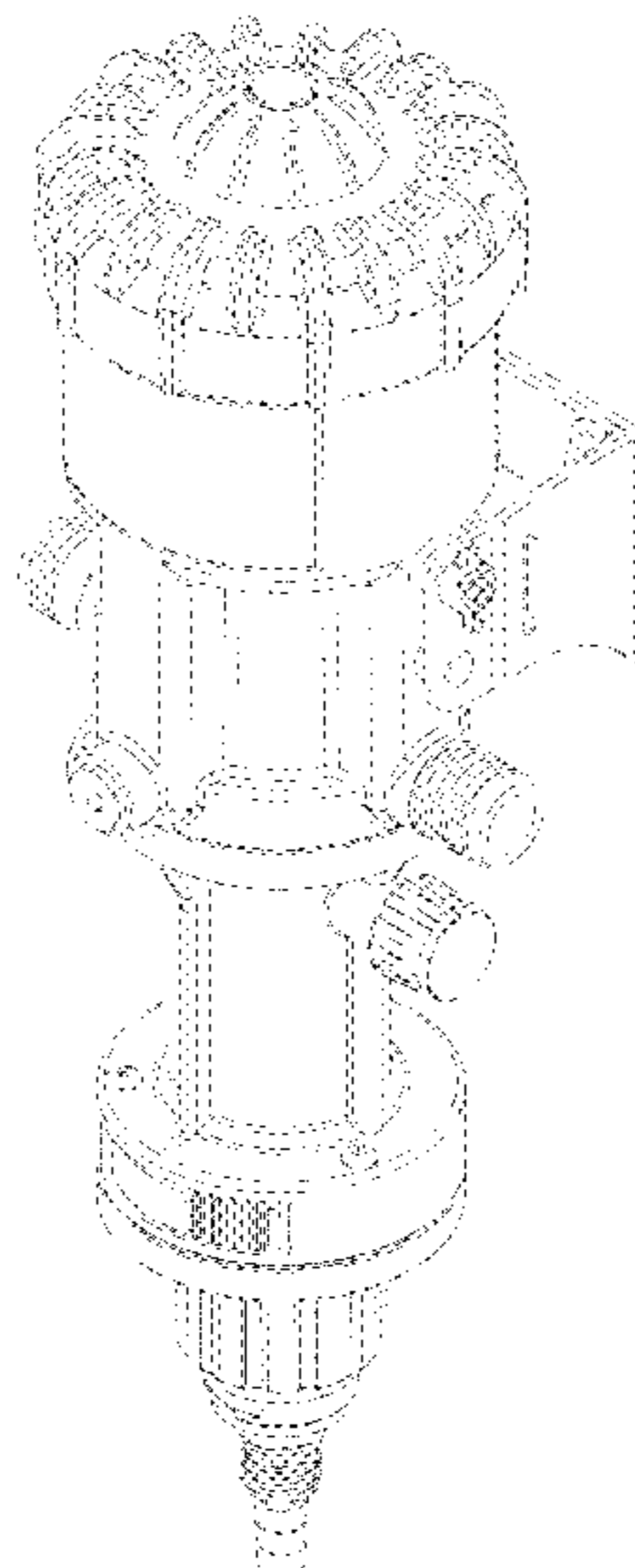
(57) **CLAIM**

The ornamental design for a metering pump, as shown and described.

DESCRIPTION

FIG. 1 is a perspective view of a metering pump according to the present design;
FIG. 2 is a front view thereof;
FIG. 3 is a rear view thereof;
FIG. 4 is a right side view thereof;
FIG. 5 is a left side view thereof;
FIG. 6 is a top view thereof; and,
FIG. 7 is a bottom view thereof.
The portions of the article shown in broken lines form no part of the claimed design.

1 Claim, 7 Drawing Sheets



(56)

References Cited

U.S. PATENT DOCUMENTS

D864,252 S * 10/2019 Charriere D15/7
D886,157 S * 6/2020 Laurino D15/7
10,724,517 B2 * 7/2020 Laatiaoui F04B 13/02
2004/0050766 A1 * 3/2004 Jiang B01D 29/21
210/232
2016/0008749 A1 * 1/2016 Morris F02M 37/32
210/86
2019/0120226 A1 * 4/2019 Laatiaoui F04B 9/107
2019/0299135 A1 * 10/2019 Gerlach B64D 13/06
2020/0379489 A1 * 12/2020 Brevini G01F 11/023

OTHER PUBLICATIONS

Mixtron s.r.l., Product Catalog, (published May 2019), Available from Mixtron Website, URL:<<https://www.mixtron.it/wp-content/uploads/2019/04/Mixtron-8-lingue-2019-pag-affiancate.pdf>>, p. 75. (Year: 2019).*

Newtry, 0.2-2% Water Powered Fertilizer Injector Adjustable Chemical Liquid Doser Dispenser 4.4-660.43 gallons/h Drip, (first available May 17, 2018), Amazon.com, URL:<<https://www.amazon.com/NEWTRY-Fertilizer-Proportioning-Proportioner-Irrigation/dp/B07D4DM8TZ>> (Year: 2018).*

* cited by examiner

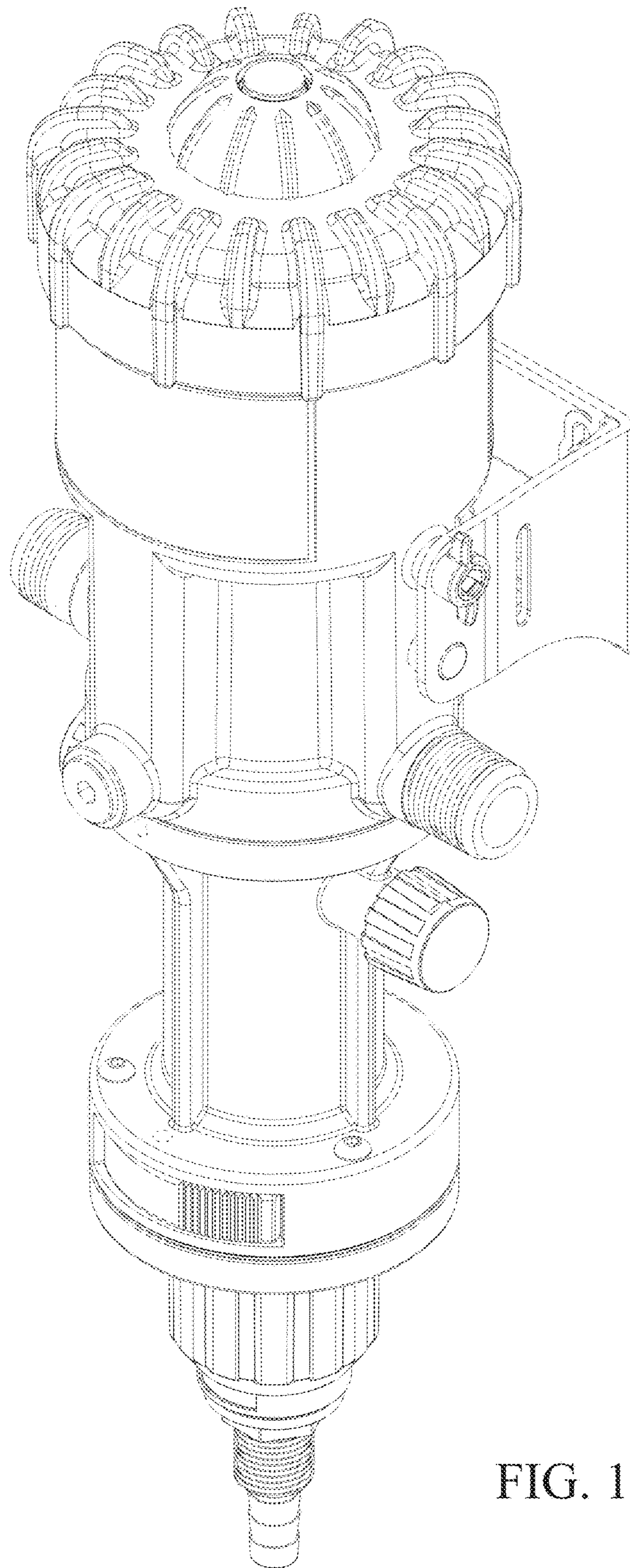


FIG. 1

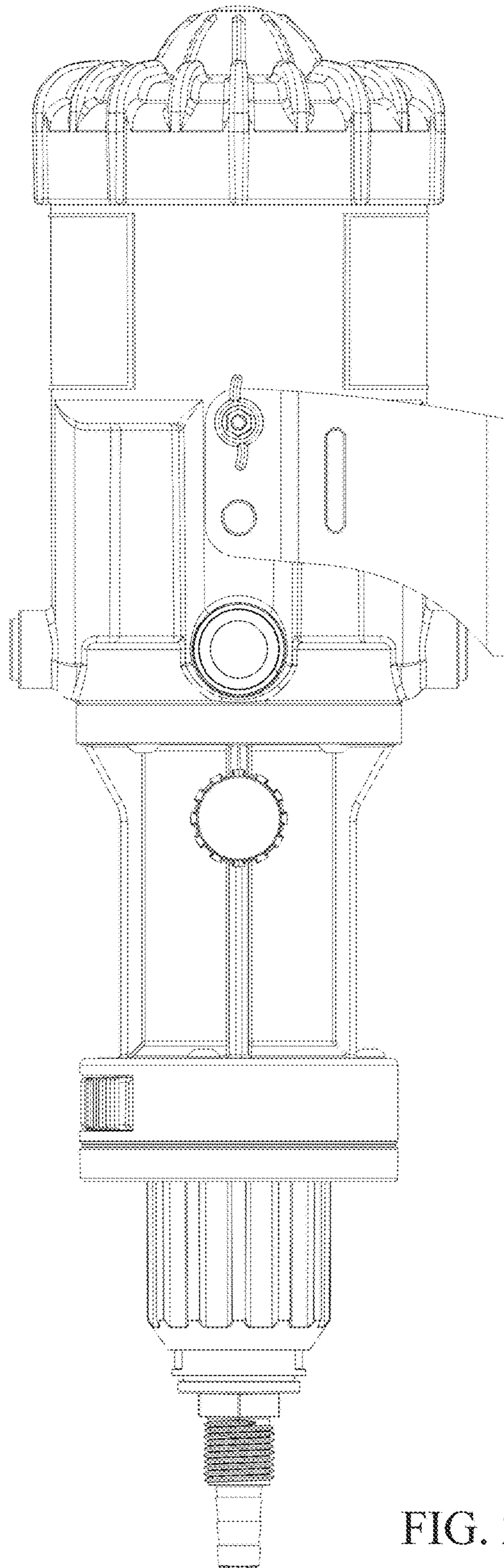


FIG. 2

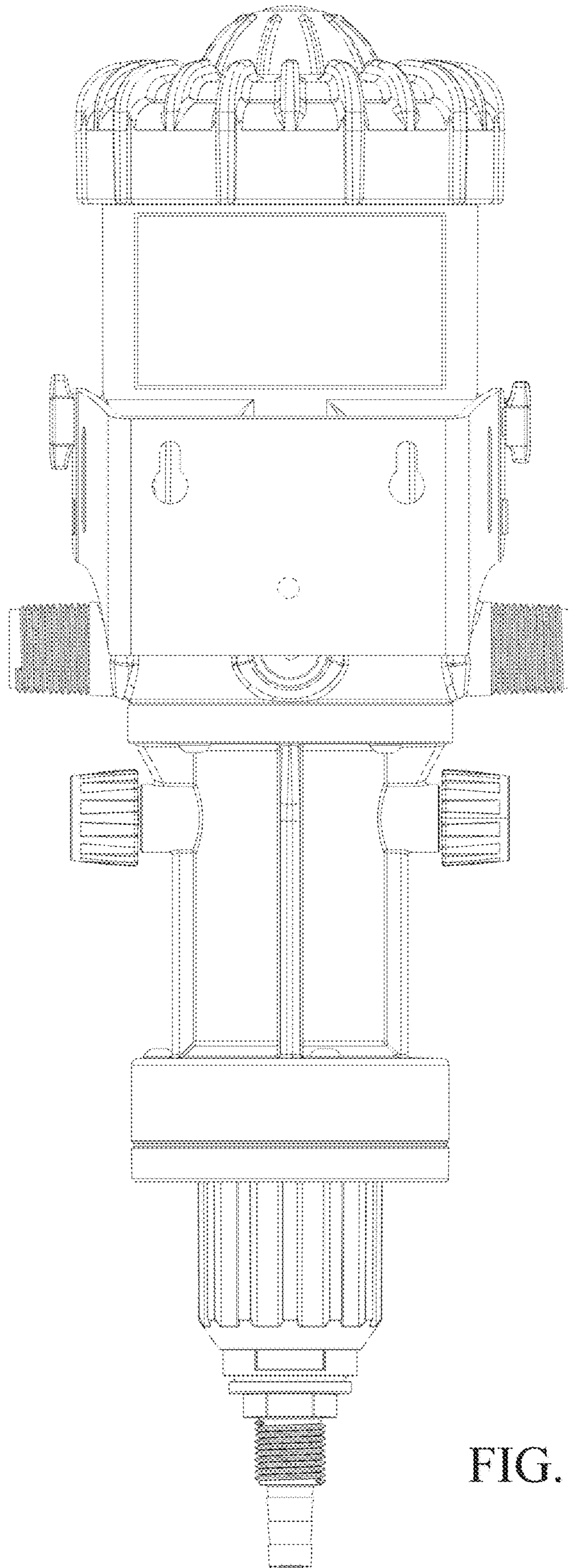


FIG. 3

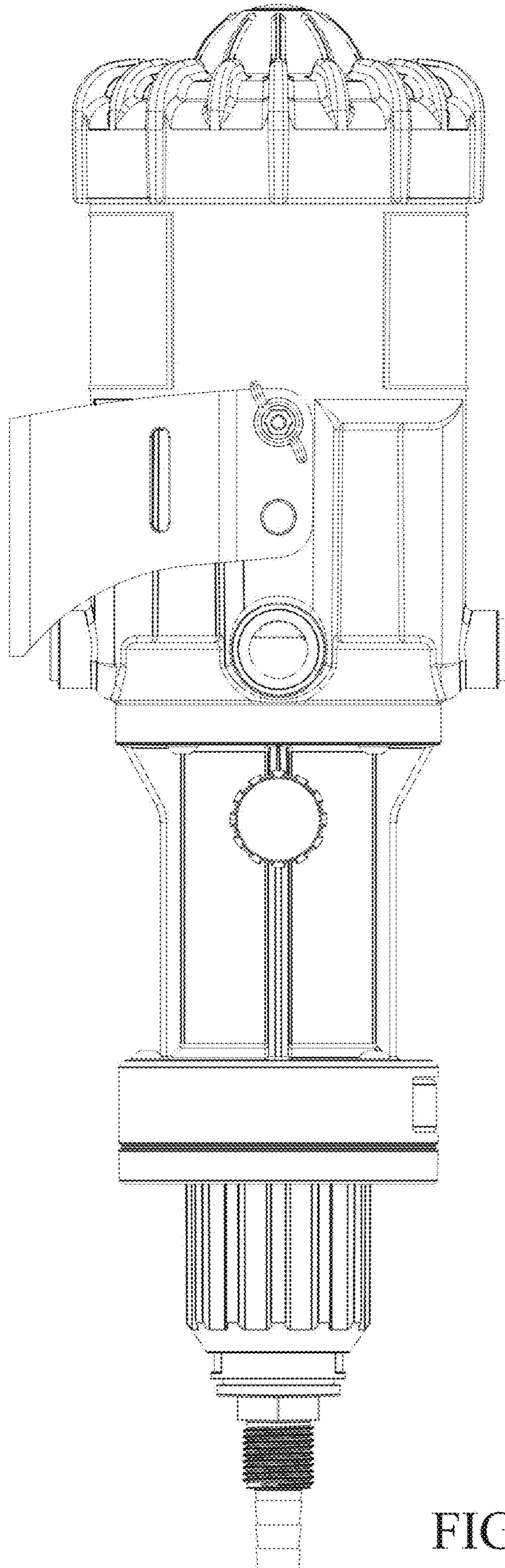


FIG. 4

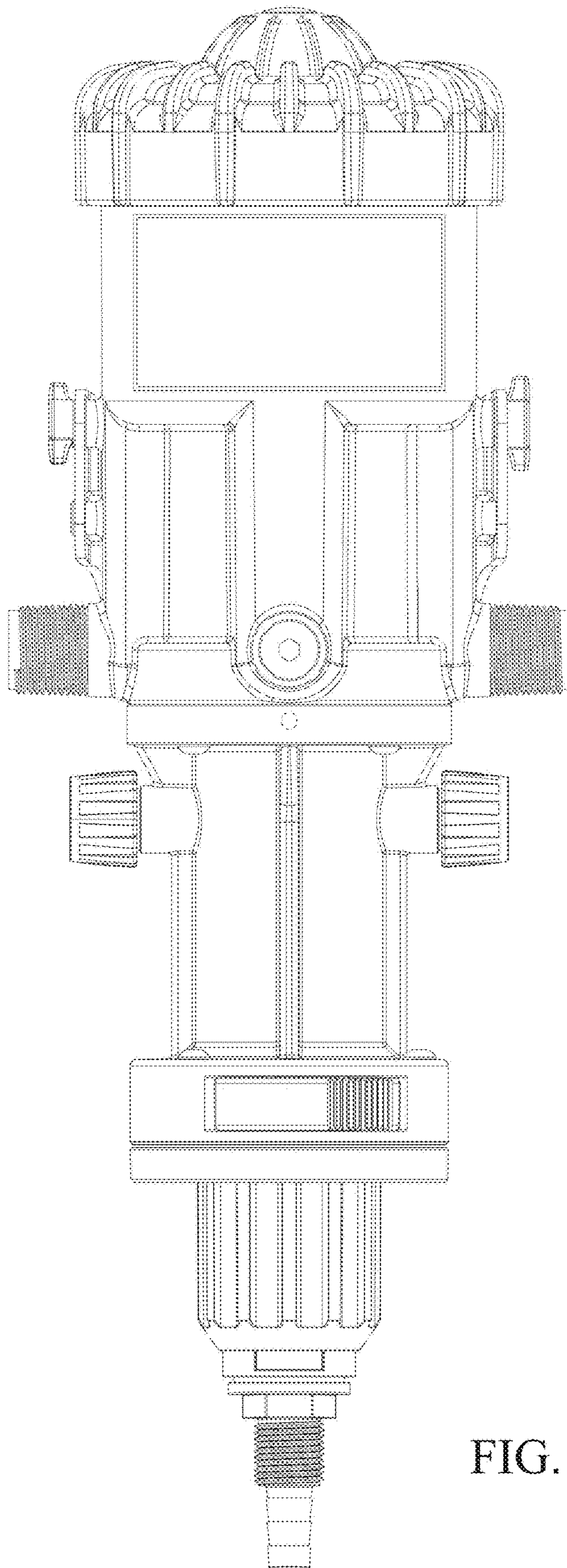


FIG. 5

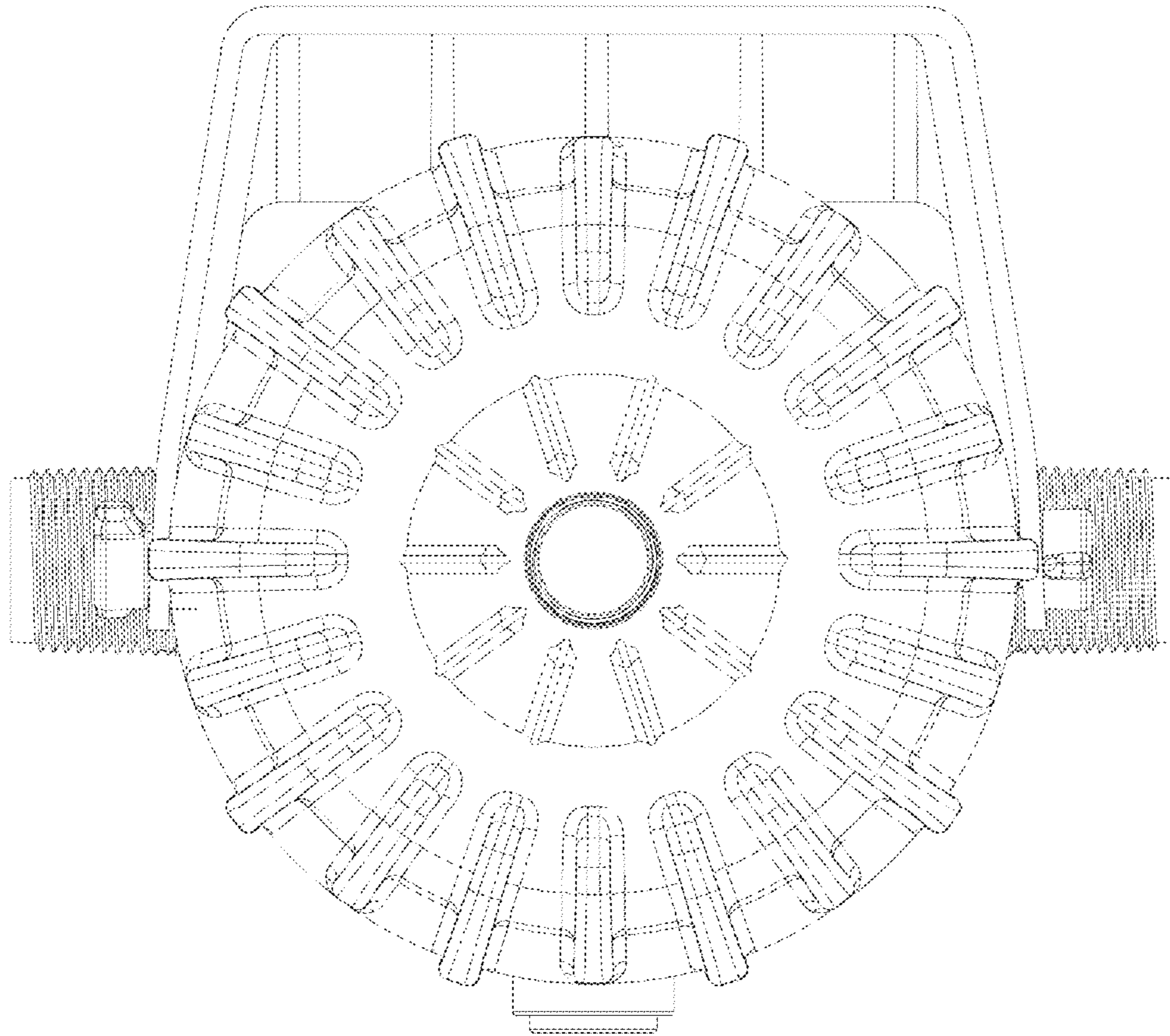


FIG. 6

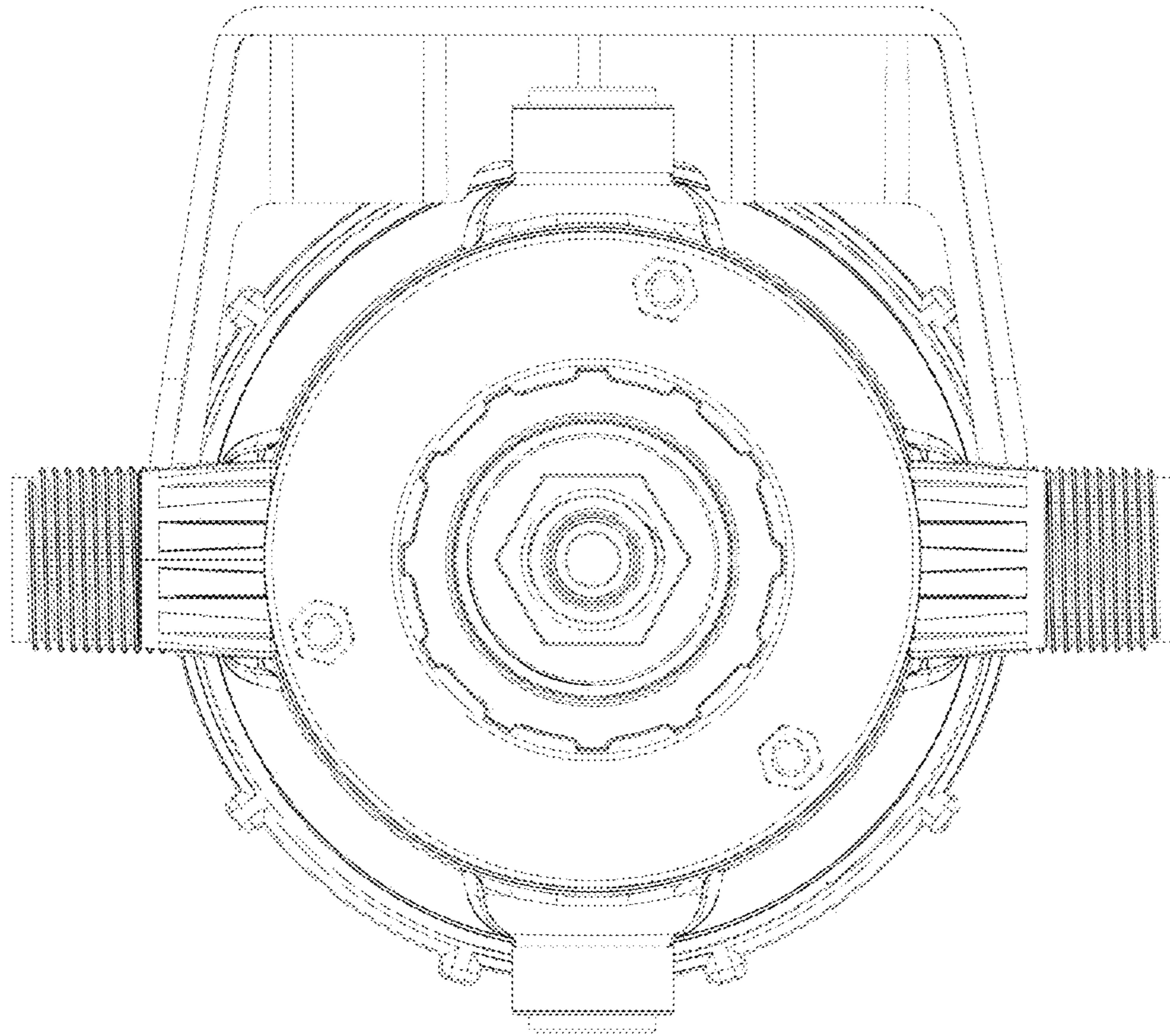


FIG. 7