



US00D933671S

(12) **United States Design Patent** (10) **Patent No.:** **US D933,671 S**  
**Lyu** (45) **Date of Patent:** **\*\* Oct. 19, 2021**

(54) **MONITOR WALL MOUNT**

FOREIGN PATENT DOCUMENTS

(71) Applicant: **Yaqi Lyu**, Shenzhen (CN)

EM 007303185-0010 \* 12/2019

(72) Inventor: **Yaqi Lyu**, Shenzhen (CN)

OTHER PUBLICATIONS

(\*\*) Term: **15 Years**

Monoprice® 106517 Adjustable TV Wall Mount Bracket, Oct. 1, 2019 online review date, [retrieved Dec. 10, 2020], Retrieved from Internet, URL: <https://www.staples.com/Monoprice-106517-Adjustable-TV-Wall-Mount-Bracket-F-52-72-Display-Up-to-300-lbs-Black/product\_1256591?storeId=1000%E2%80%A6>(Year: 2019).\*

(21) Appl. No.: **29/727,984**

Full Motion TV Wall Mount, date not available, [retrieved Dec. 10, 2020], Retrieved from Internet, URL: <https://www.startech.com/en-us/display-mounting-ergonomics/fpwarps> (Year: 2020).\*

(22) Filed: **Mar. 15, 2020**

(51) **LOC (13) Cl.** ..... **14-02**

(52) **U.S. Cl.**  
USPC ..... **D14/452**; D14/239

(58) **Field of Classification Search**  
USPC ..... D14/125–129, 239, 251–253, 335,  
D14/336–337, 371–382, 432, 439–441,  
D14/447–452, 457, 492  
CPC .. G06F 1/1616; G06F 3/0488; G06F 3/04883;  
G06F 3/023; G06F 3/0213; G06F 3/0219;  
G06F 3/0202; G06F 3/0338; G06F  
3/03543; G06F 3/038; G06F 3/011; G06F  
3/016

\* cited by examiner

*Primary Examiner* — Barbara Fox  
*Assistant Examiner* — Aram Kwon

See application file for complete search history.

(57) **CLAIM**

The ornamental design for a monitor wall mount, as shown and described.

(56) **References Cited**

**DESCRIPTION**

U.S. PATENT DOCUMENTS

D570,355	S	*	6/2008	Muday	.....	D14/451
D570,852	S	*	6/2008	Muday	.....	D14/451
D575,294	S	*	8/2008	Stenhouse	.....	D14/451
D614,611	S	*	4/2010	Leung	.....	D14/239
D624,061	S	*	9/2010	Smith	.....	D14/239
D836,617	S	*	12/2018	Shu	.....	D14/239
D848,989	S	*	5/2019	Pei	.....	D14/239
D852,174	S	*	6/2019	Pei	.....	D14/239
D852,790	S	*	7/2019	Pei	.....	D14/239
D858,493	S		9/2019	Pei		
D888,027	S	*	6/2020	Pei	.....	D14/239
D904,360	S	*	12/2020	Pei	.....	D14/239
D911,320	S	*	2/2021	Lyu	.....	D14/239
D915,365	S	*	4/2021	Lu	.....	D14/239
D916,063	S	*	4/2021	Lyu	.....	D14/239
2019/0390817	A1	*	12/2019	Pei	.....	F16M 11/10

FIG. 1 is a perspective view of a monitor wall mount showing my new design;

FIG. 2 is a front elevation view thereof;

FIG. 3 is a rear elevation view thereof;

FIG. 4 is a left side elevation view thereof;

FIG. 5 is a right side elevation view thereof;

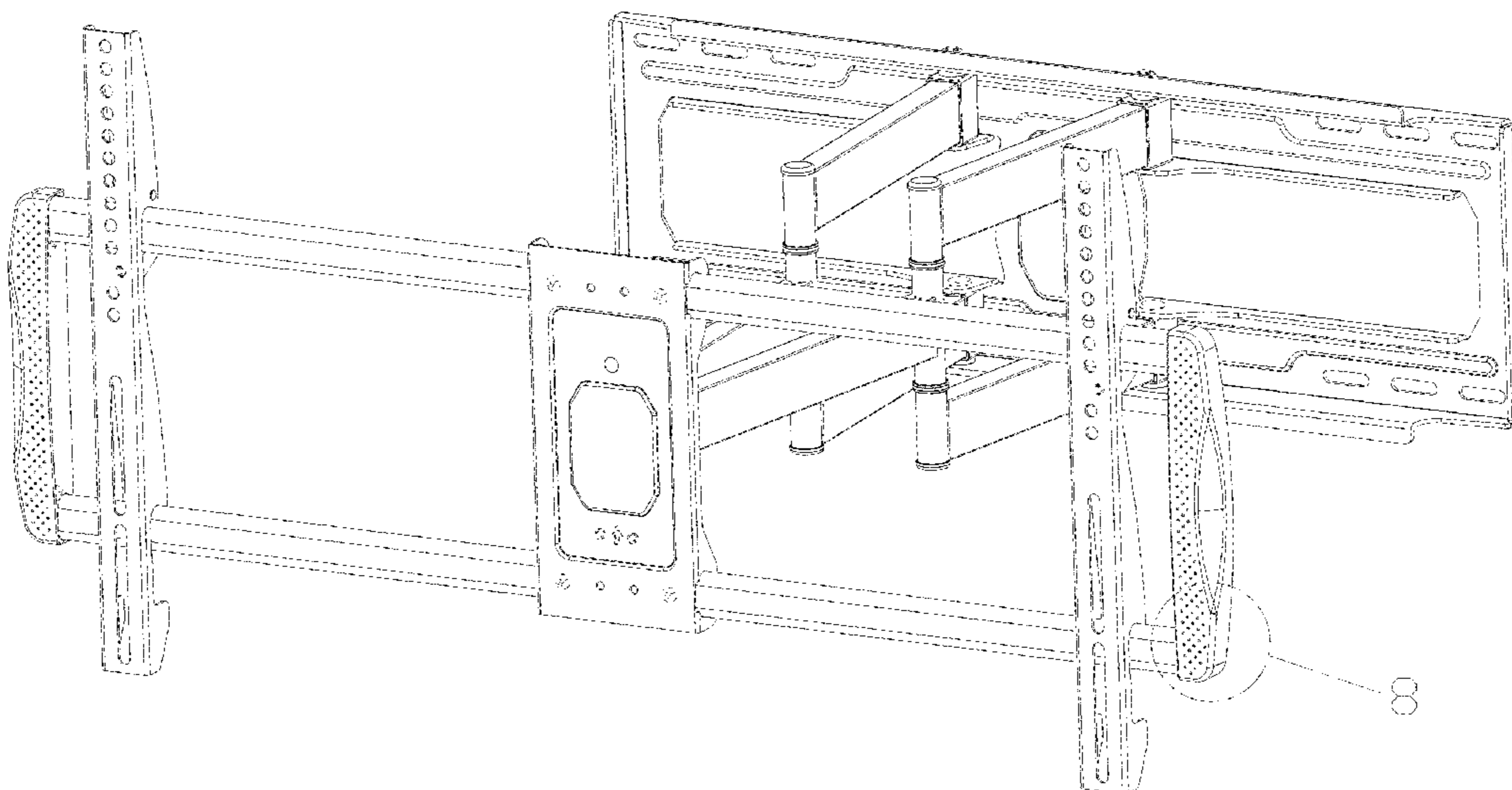
FIG. 6 is a top plan view thereof;

FIG. 7 is a bottom plan view thereof; and,

FIG. 8 is an enlarged view of portion 8 shown in FIG. 1.

The dash-dash broken lines in the drawings illustrate portions of the monitor wall mount that form no part of the claimed design. The dot-dash broken lines in the drawings depict bounds of the enlarged portion and form no part of the claimed design.

**1 Claim, 8 Drawing Sheets**



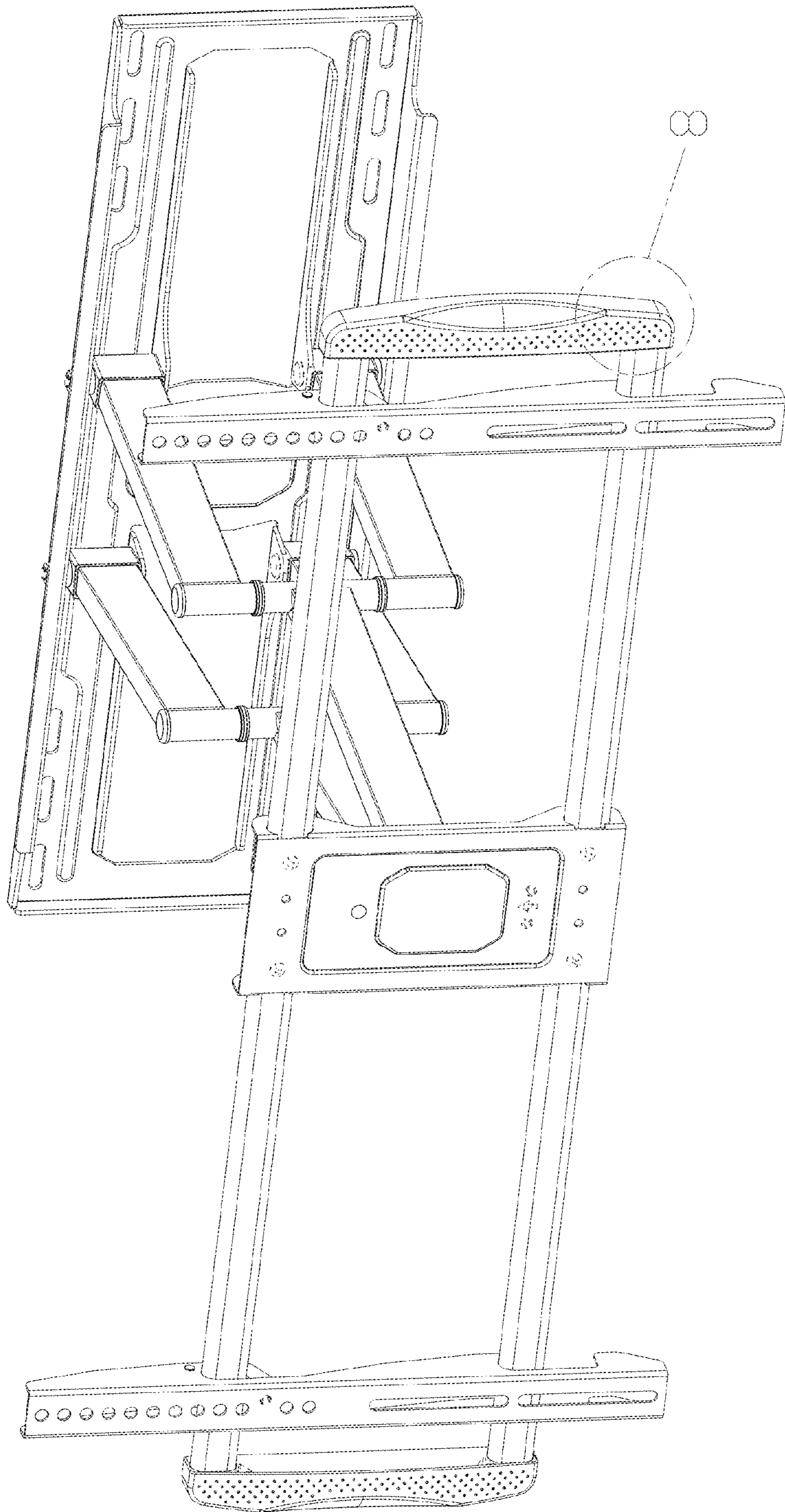


FIG. 1

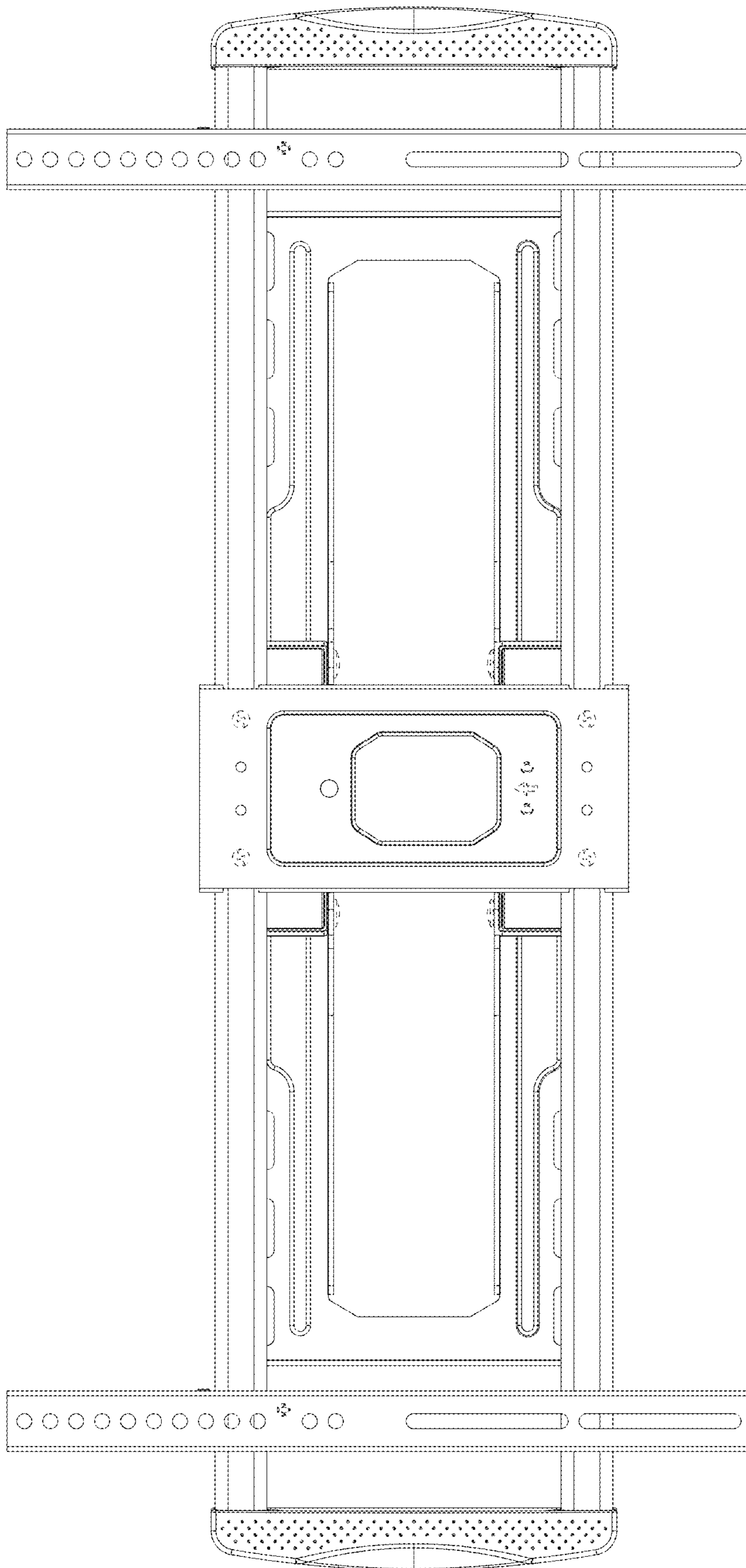


FIG. 2

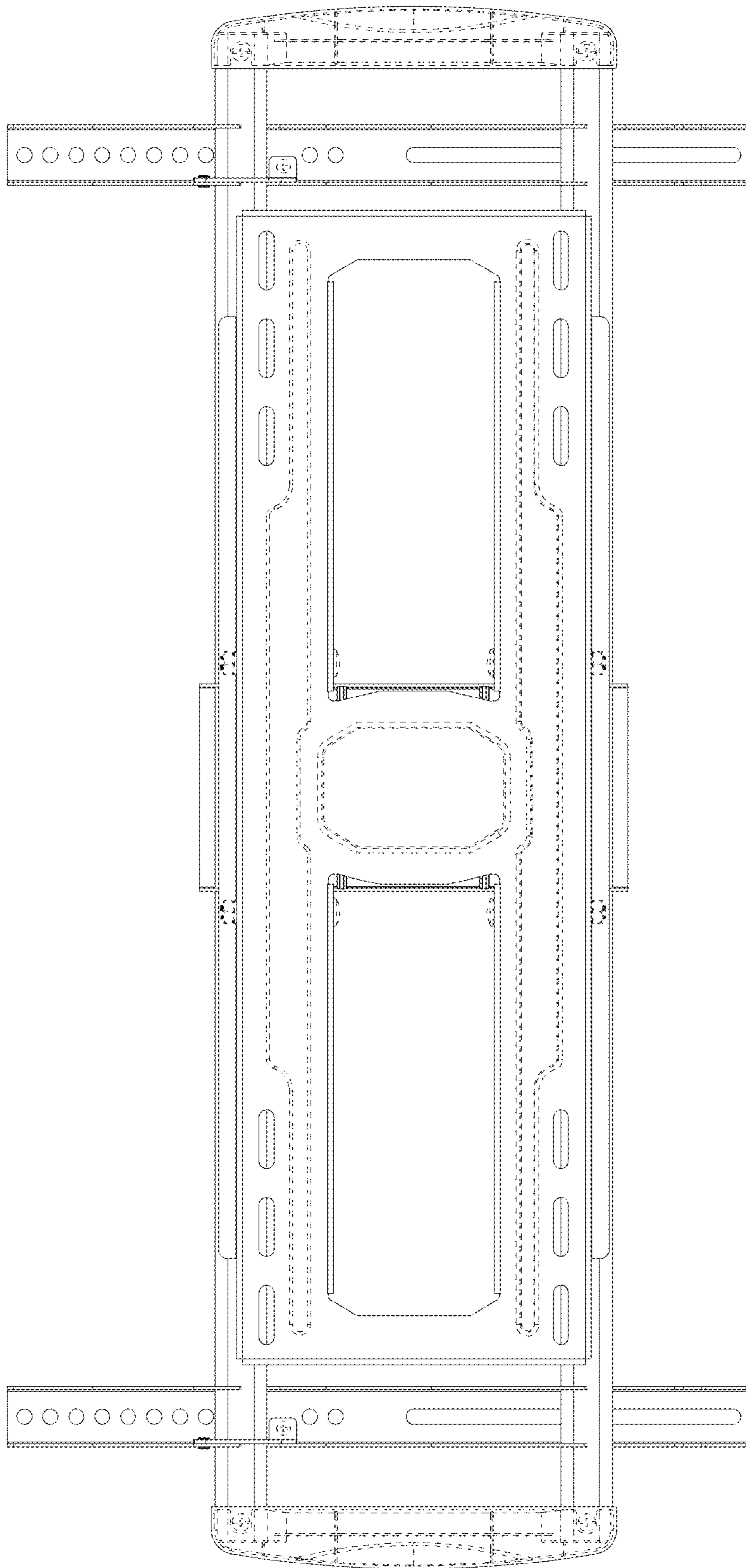


FIG. 3

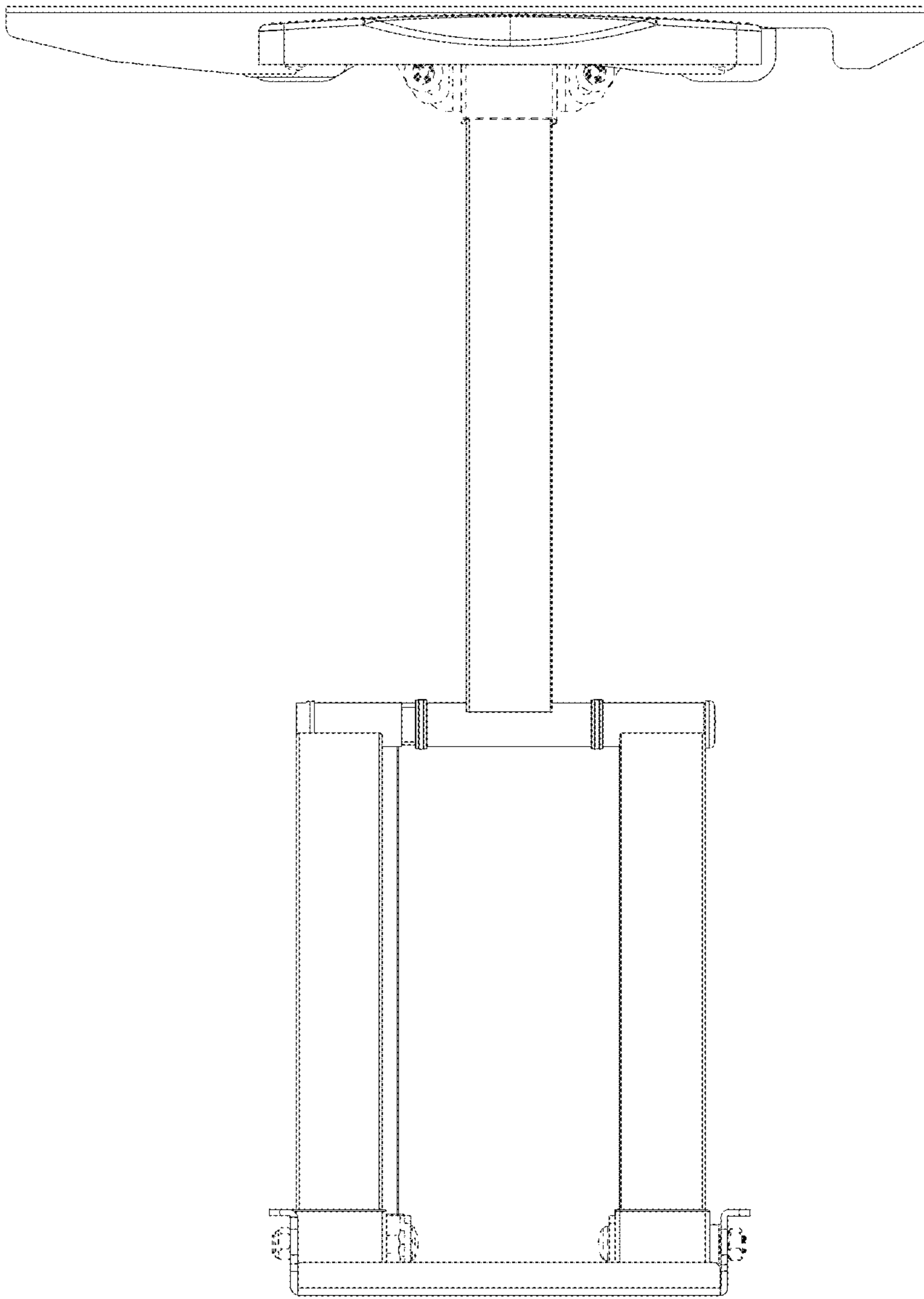


FIG. 4

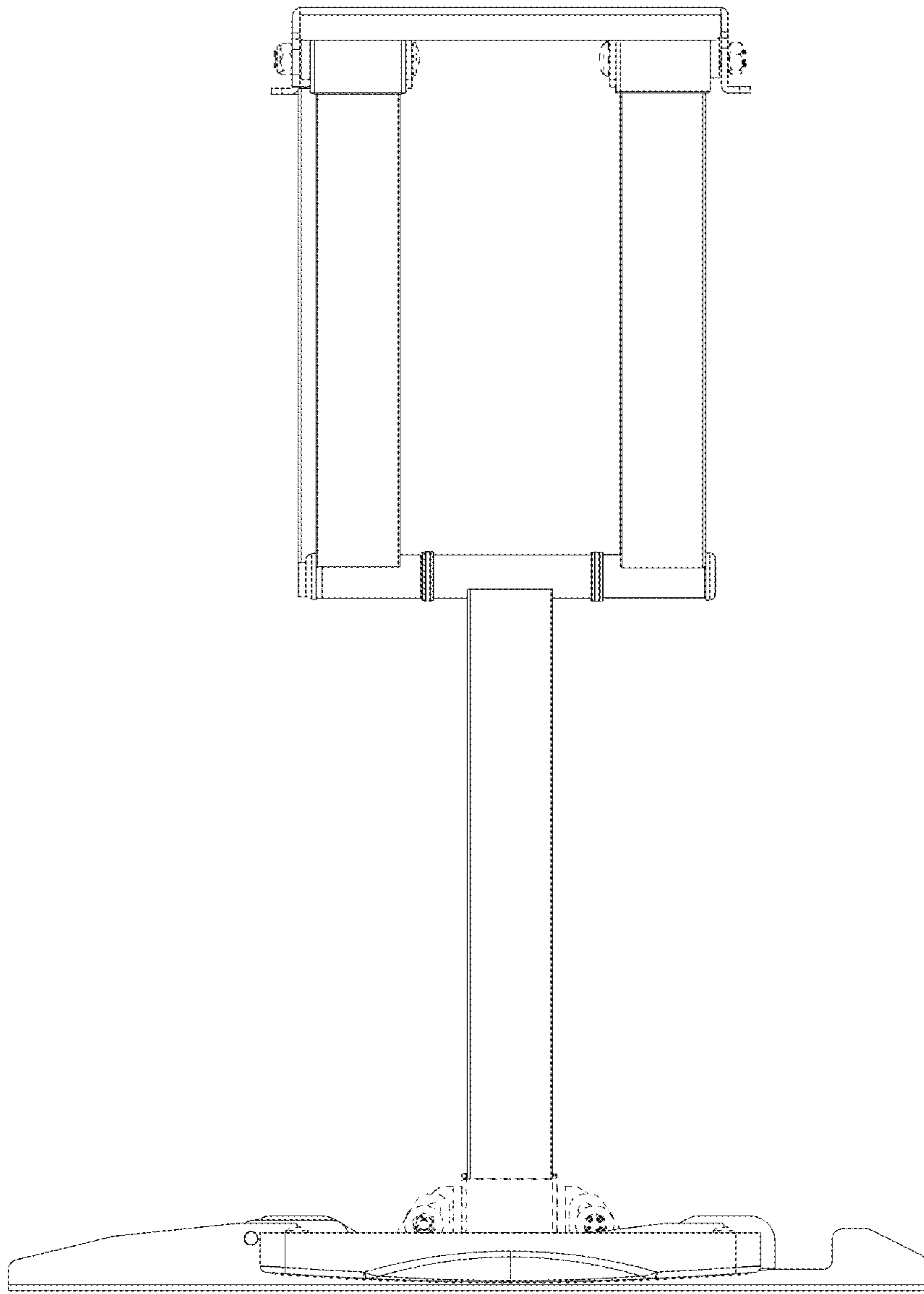


FIG. 5

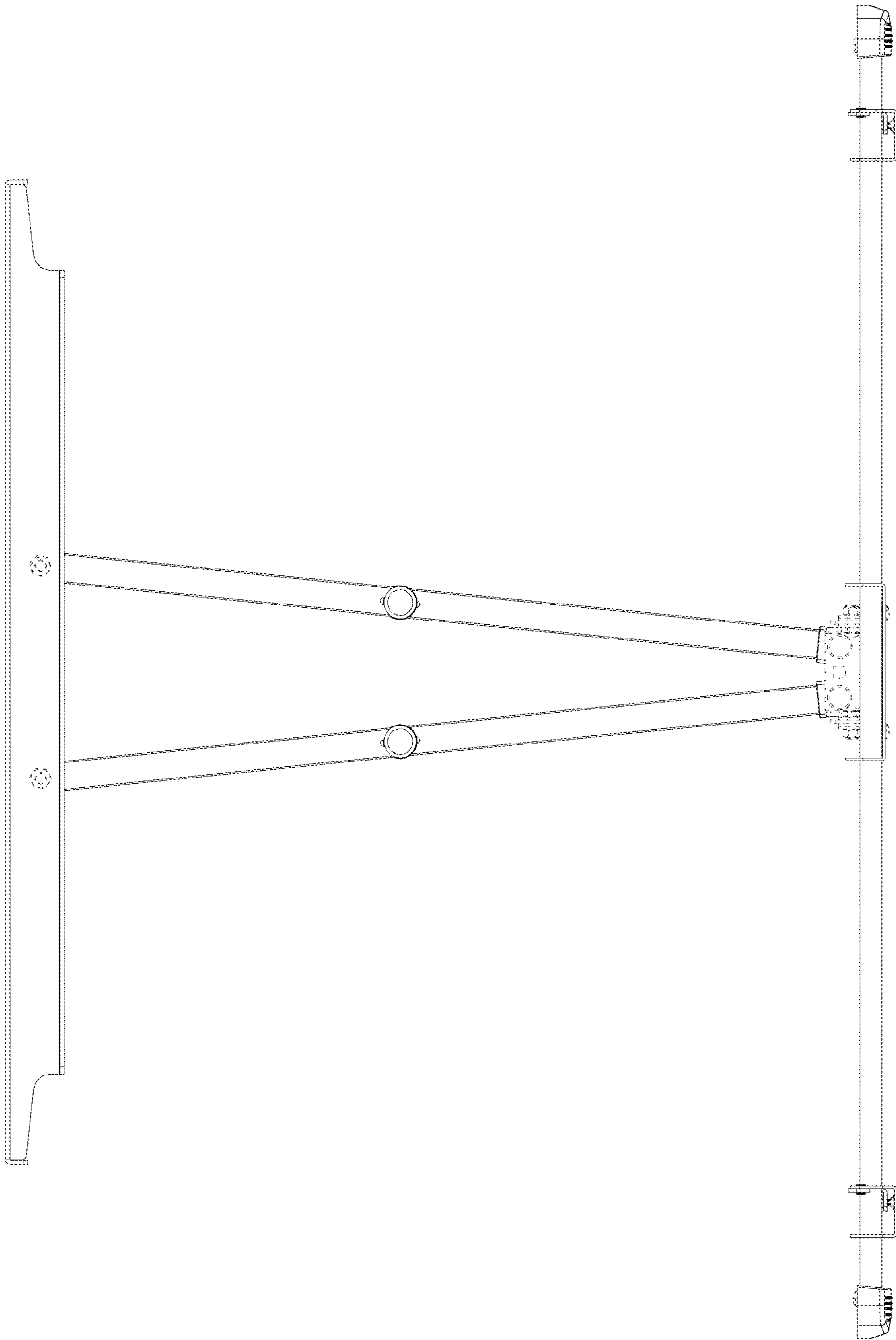


FIG. 6

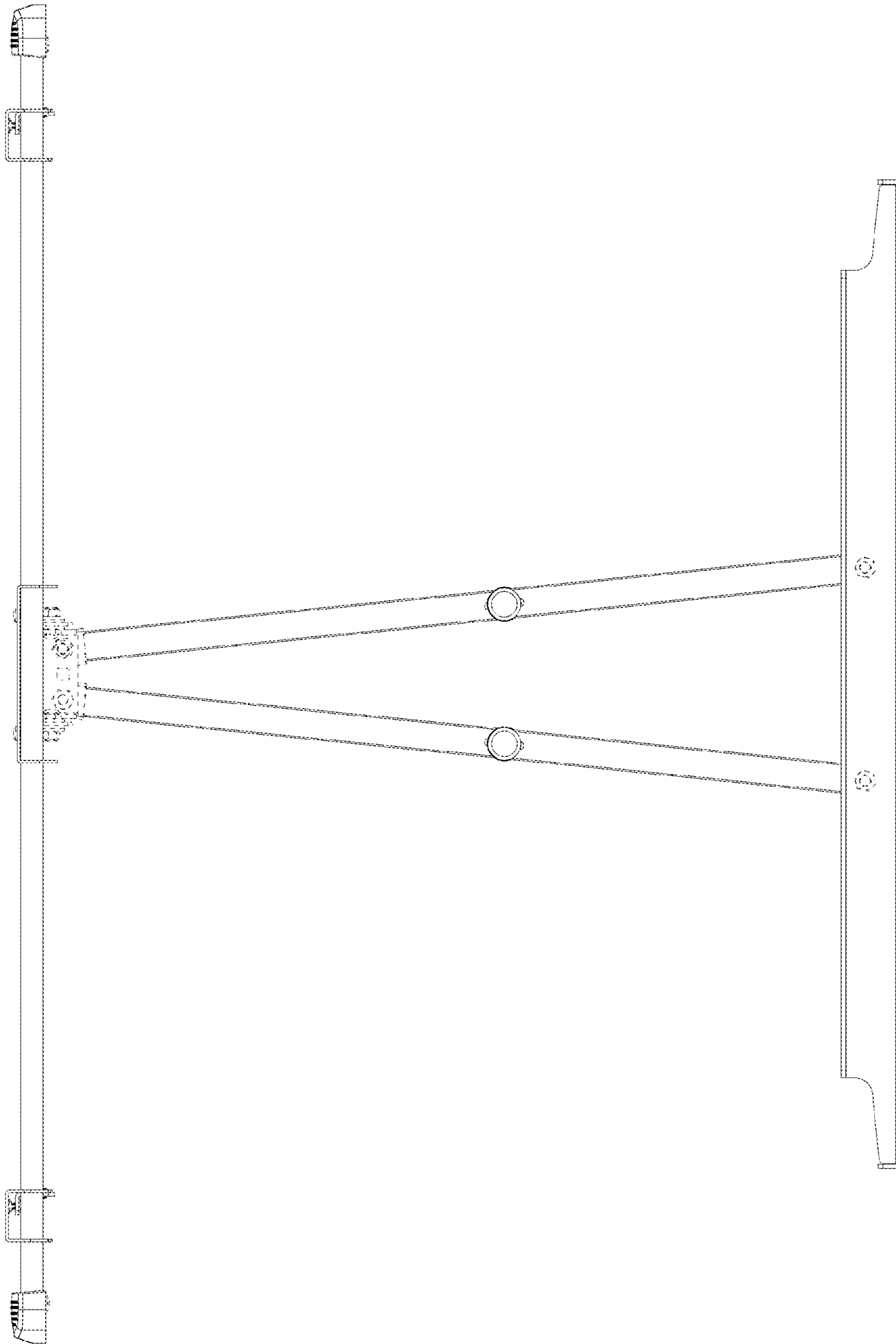


FIG. 7



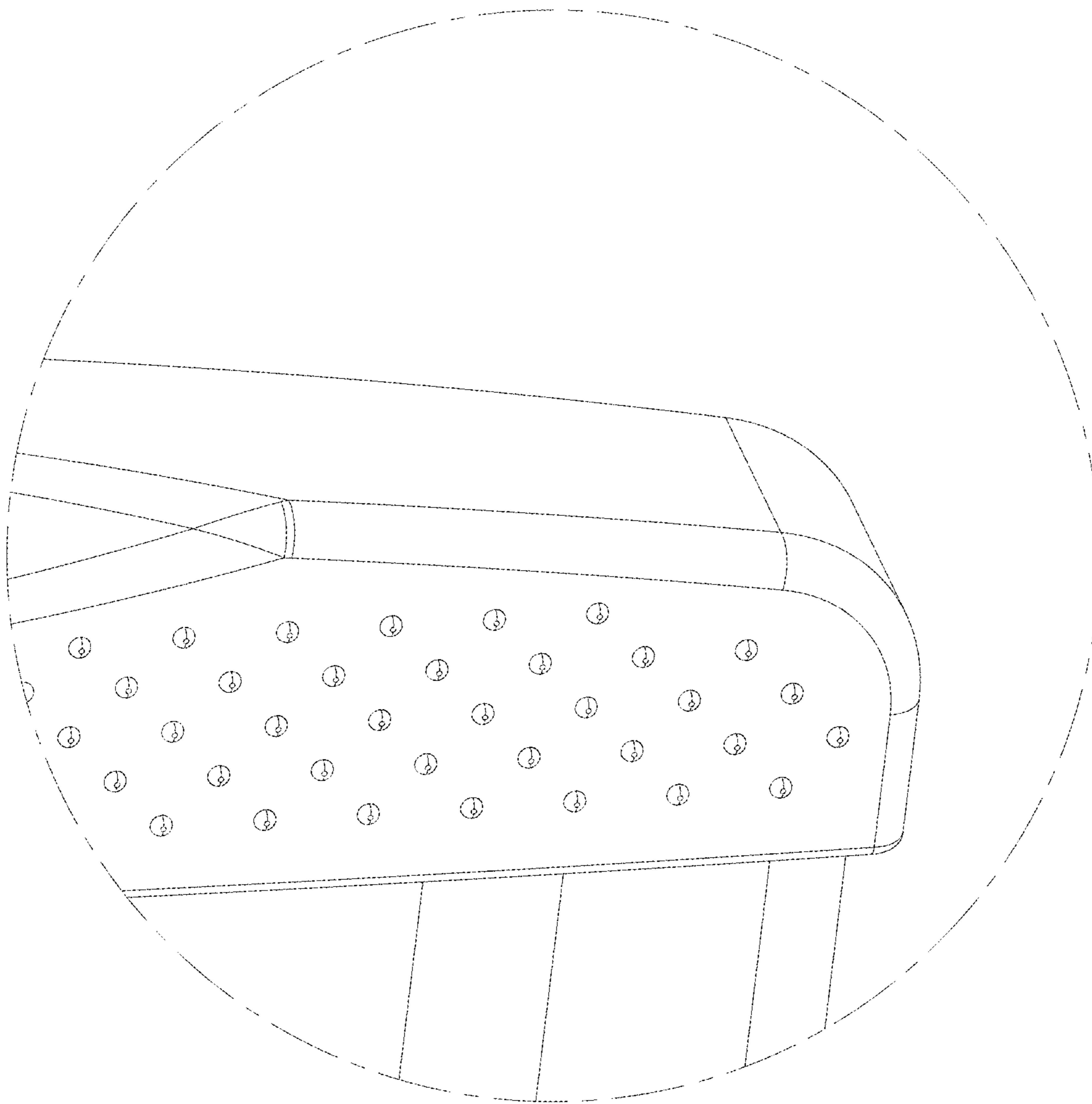


FIG. 8