



US00D933670S

(12) **United States Design Patent** (10) **Patent No.:** **US D933,670 S**
Akana et al. (45) **Date of Patent:** **** Oct. 19, 2021**

(54) **ELECTRONIC DEVICE STAND**

(71) Applicant: **Apple Inc.**, Cupertino, CA (US)

(72) Inventors: **Jody Akana**, San Francisco, CA (US); **Molly Anderson**, San Francisco, CA (US); **Bartley K. Andre**, Palo Alto, CA (US); **Shota Aoyagi**, San Francisco, CA (US); **Anthony Michael Ashcroft**, San Francisco, CA (US); **Marine C. Bataille**, San Francisco, CA (US); **Jeremy Bataillou**, San Francisco, CA (US); **Abidur Chowdhury**, San Francisco, CA (US); **Markus Diebel**, San Francisco, CA (US); **Daniele De Iuliis**, San Francisco, CA (US); **M. Evans Hankey**, San Francisco, CA (US); **Julian Hoenig**, San Francisco, CA (US); **Richard P. Howarth**, San Francisco, CA (US); **Jonathan P. Ive**, San Francisco, CA (US); **Julian Jaede**, San Francisco, CA (US); **Duncan Robert Kerr**, San Francisco, CA (US); **Peter Russell-Clarke**, San Francisco, CA (US); **Benjamin Andrew Shaffer**, San Jose, CA (US); **Mikael Silvanto**, San Francisco, CA (US); **Joe Sung-Ho Tan**, San Francisco, CA (US); **Clement Tissandier**, San Francisco, CA (US); **Eugene Antony Whang**, San Francisco, CA (US); **Rico Zörkendörfer**, San Francisco, CA (US)

(73) Assignee: **Apple Inc.**, Cupertino, CA (US)

(**) Term: **15 Years**

(21) Appl. No.: **29/693,343**

(22) Filed: **May 31, 2019**

(51) **LOC (13) Cl.** **14-02**

(52) **U.S. Cl.**
USPC **D14/452**

(58) **Field of Classification Search**

USPC D14/449–452, 335–337, 239, 371, 372, D14/373, 374, 447, 448, 125, 127, 128, (Continued)

(56) **References Cited**

U.S. PATENT DOCUMENTS

D295,415 S * 4/1988 Thies D14/452
D521,511 S * 5/2006 Kim D14/375
(Continued)

FOREIGN PATENT DOCUMENTS

CN 303159874 * 4/2015
CN 306292793 * 1/2021
(Continued)

OTHER PUBLICATIONS

Best Buy. Link: <https://www.bestbuy.com/site/apple-pro-stand-silver/6295945.p?skuId=6295945>. Visited Nov. 18, 2020. Apple Pro Stand Silver MWUG2LL/A. (Year: 2020).*
(Continued)

Primary Examiner — Lauren D McVey
(74) *Attorney, Agent, or Firm* — Saidman DesignLaw Group, LLC

(57) **CLAIM**

The ornamental design for an electronic device stand, as shown and described.

DESCRIPTION

FIG. 1 is a perspective view of an electronic device stand showing our new design;
FIG. 2 is another perspective view thereof;
FIG. 3 is a front view thereof;
FIG. 4 is a rear view thereof;
FIG. 5 is a right side view thereof;
FIG. 6 is a left side view thereof;

(Continued)

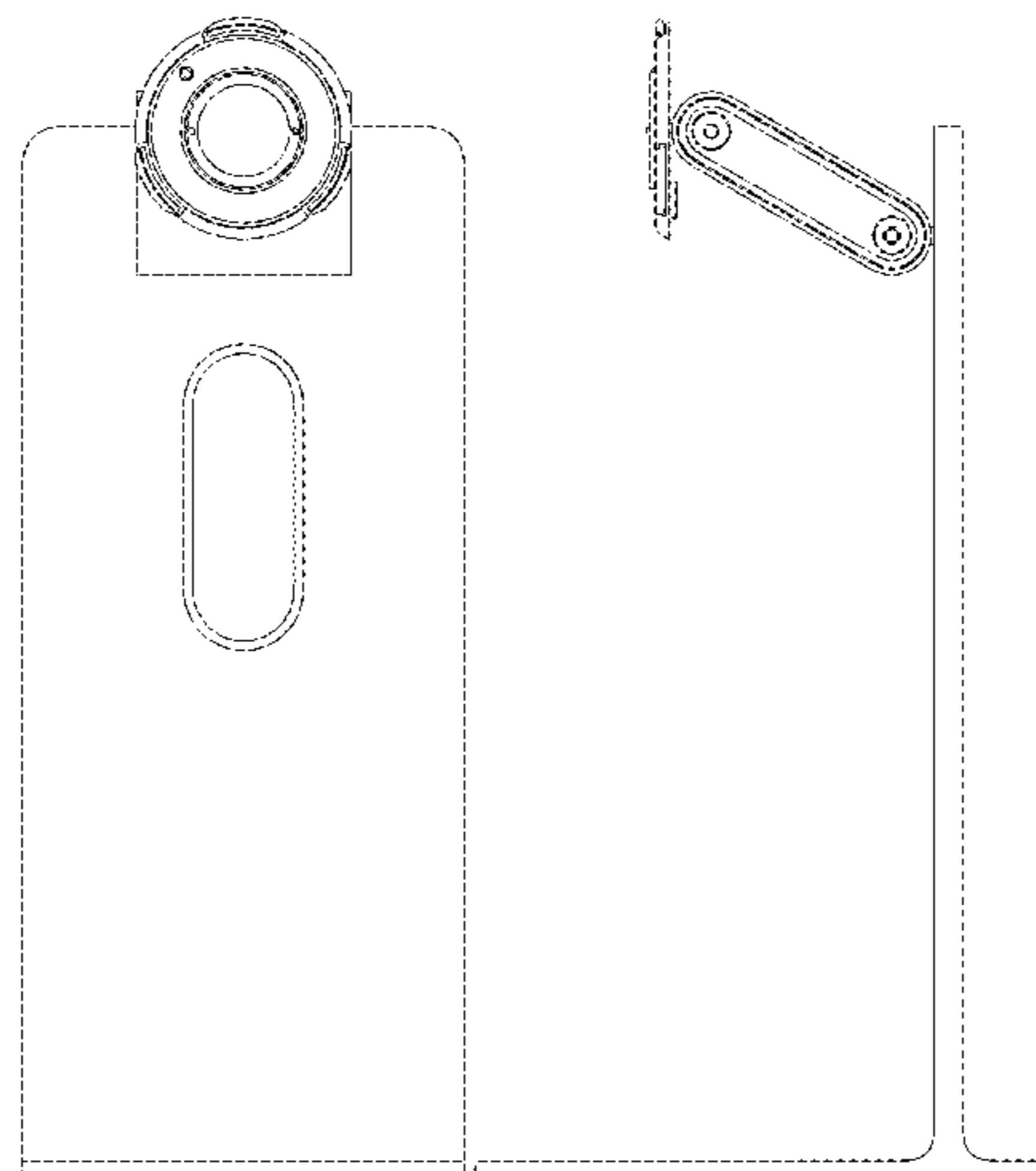


FIG. 7 is a top view thereof; and,
FIG. 8 is a bottom view thereof.

1 Claim, 7 Drawing Sheets

(58) **Field of Classification Search**

USPC D14/129, 375, 376, 377, 341, 126;
D8/355, 363, 373; D6/672, 682
CPC F16M 11/2085; F16M 11/2092; F16M
11/2007; F16M 11/2014; F16M 11/2021;
F16M 11/105; F16M 11/048; F16M
11/12; F16M 13/022; F16M 11/10
See application file for complete search history.

(56) **References Cited**

U.S. PATENT DOCUMENTS

D530,329 S * 10/2006 Chen D14/375
D549,232 S * 8/2007 Li D14/434
D583,158 S * 12/2008 Chiu D6/304
D694,750 S * 12/2013 Shin D14/337
D742,843 S * 11/2015 Lee D14/126

D760,724 S * 7/2016 Kang D14/447
D782,490 S * 3/2017 Lee D14/447
D797,705 S * 9/2017 Zheng D14/217
D837,223 S * 1/2019 Wu D14/451
2020/0378481 A1* 12/2020 Laurent F16M 11/046
2020/0378547 A1* 12/2020 Leclerc F16M 11/2014

FOREIGN PATENT DOCUMENTS

CN 306315077 * 2/2021
EP 1821025 A2 * 8/2007 F16M 11/2071
WO WQ-2012170007 A1 * 12/2012 F16M 11/2021

OTHER PUBLICATIONS

Dataflex. Link: <https://www.dataflex-int.com/en/product/addit/monitor-stands/desk/addit-monitor-stand-50/52.502>. Visited Jun. 1, 2021. Addit monitor stand 502. (Year: 2021).*
PC liquidations. Link: https://www.pliquidations.com/p124045-dell-p2014h-monitor-stand?utm_source=google&utm_medium=cse&utm_term=124045&r=160164167166161&gclid=CjwKCAjwtdcFBhBAEiwAKOly5wyx3gfjN6kKnaK0owbKvv5lyqQBToBrN386yhflFEAqAEIohK8gNhoC5vUOAvD_BwE. Visited Jun. 1, 2021. Dell P2014H Monitor Stand. (Year: 2021).*

* cited by examiner

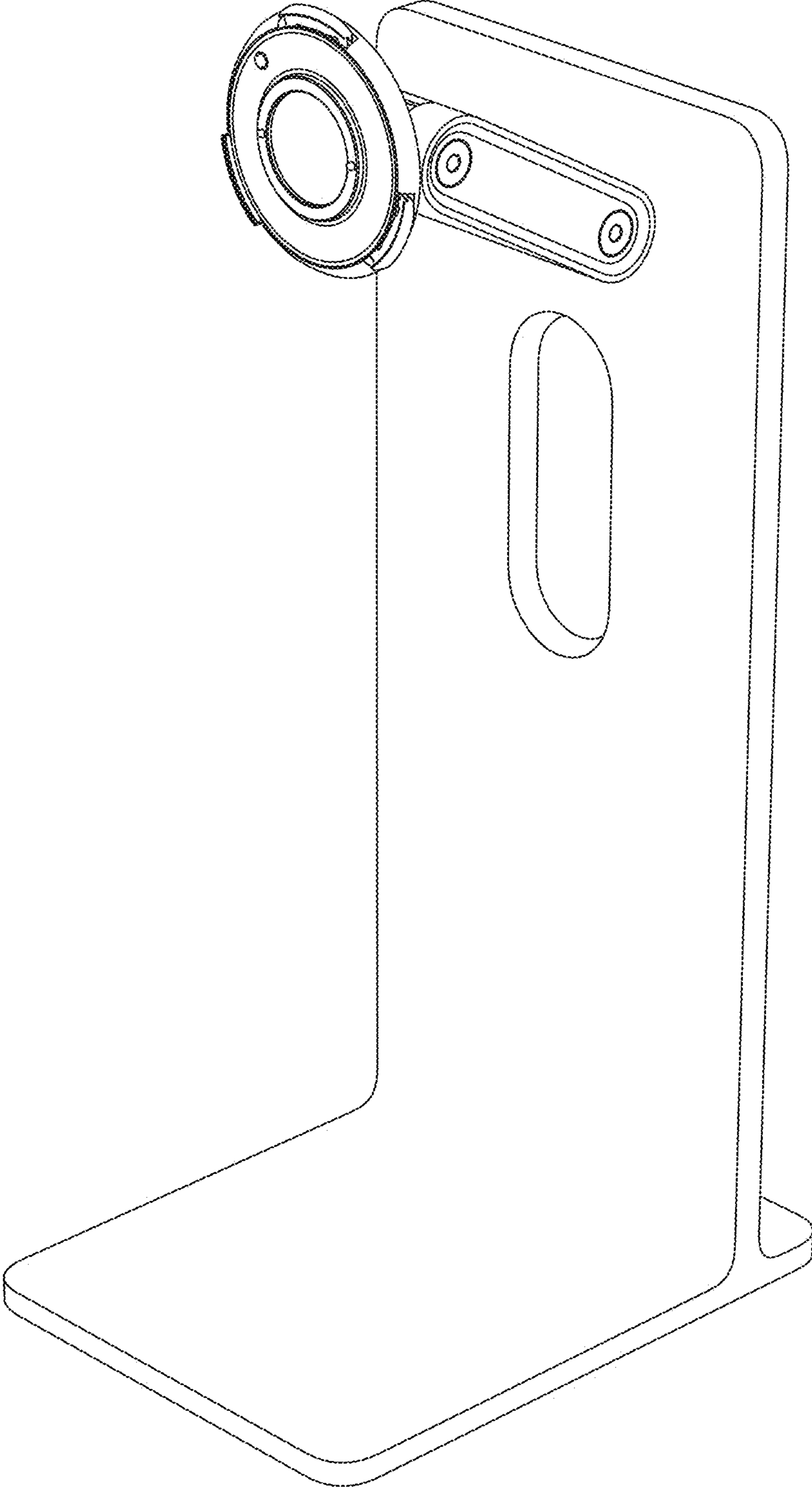


Fig. 1

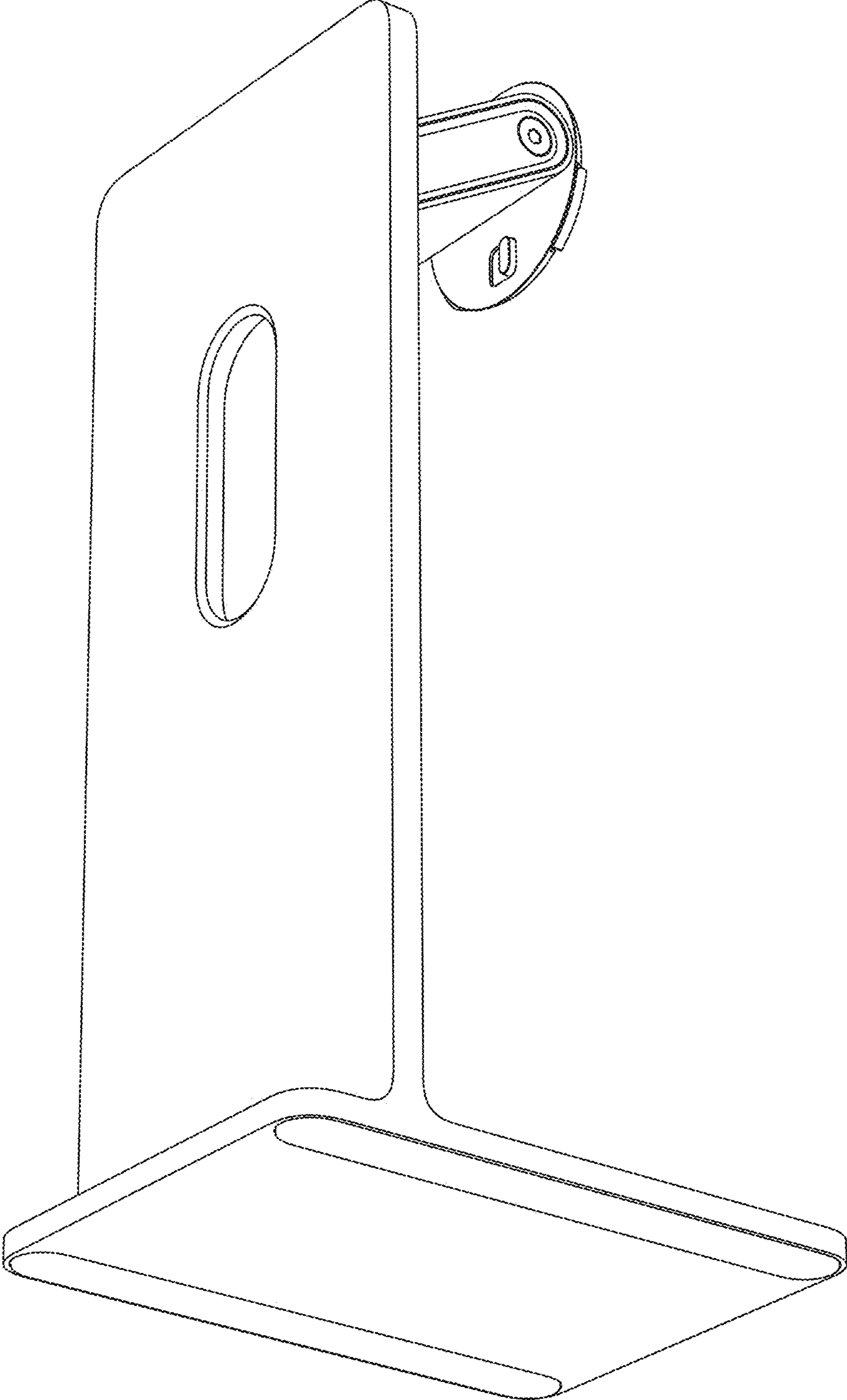


Fig. 2

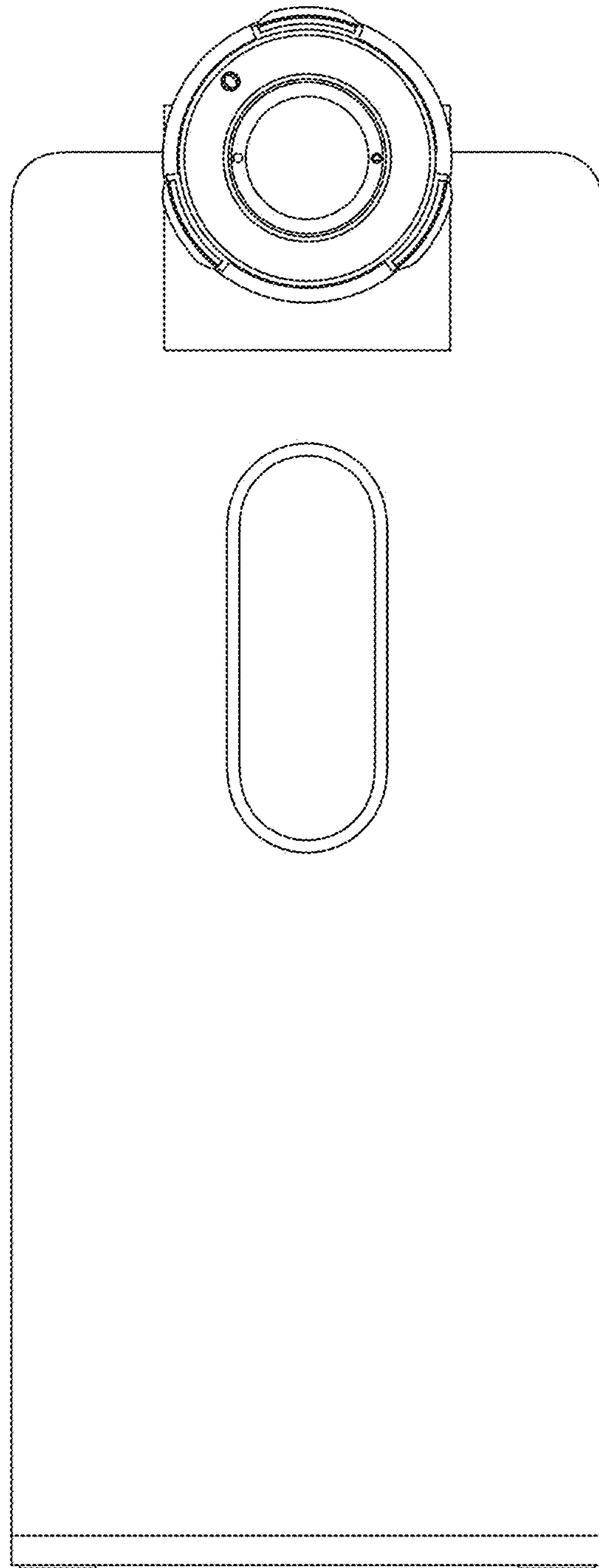


Fig. 3

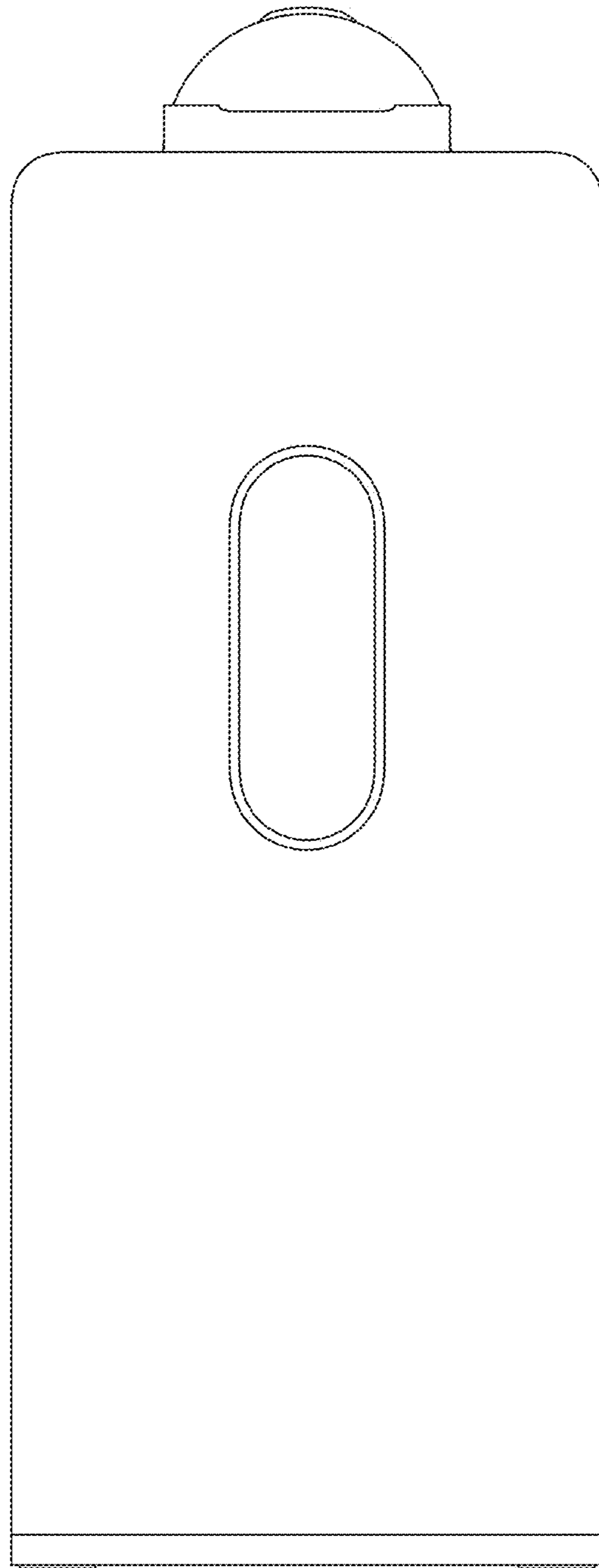


Fig. 4

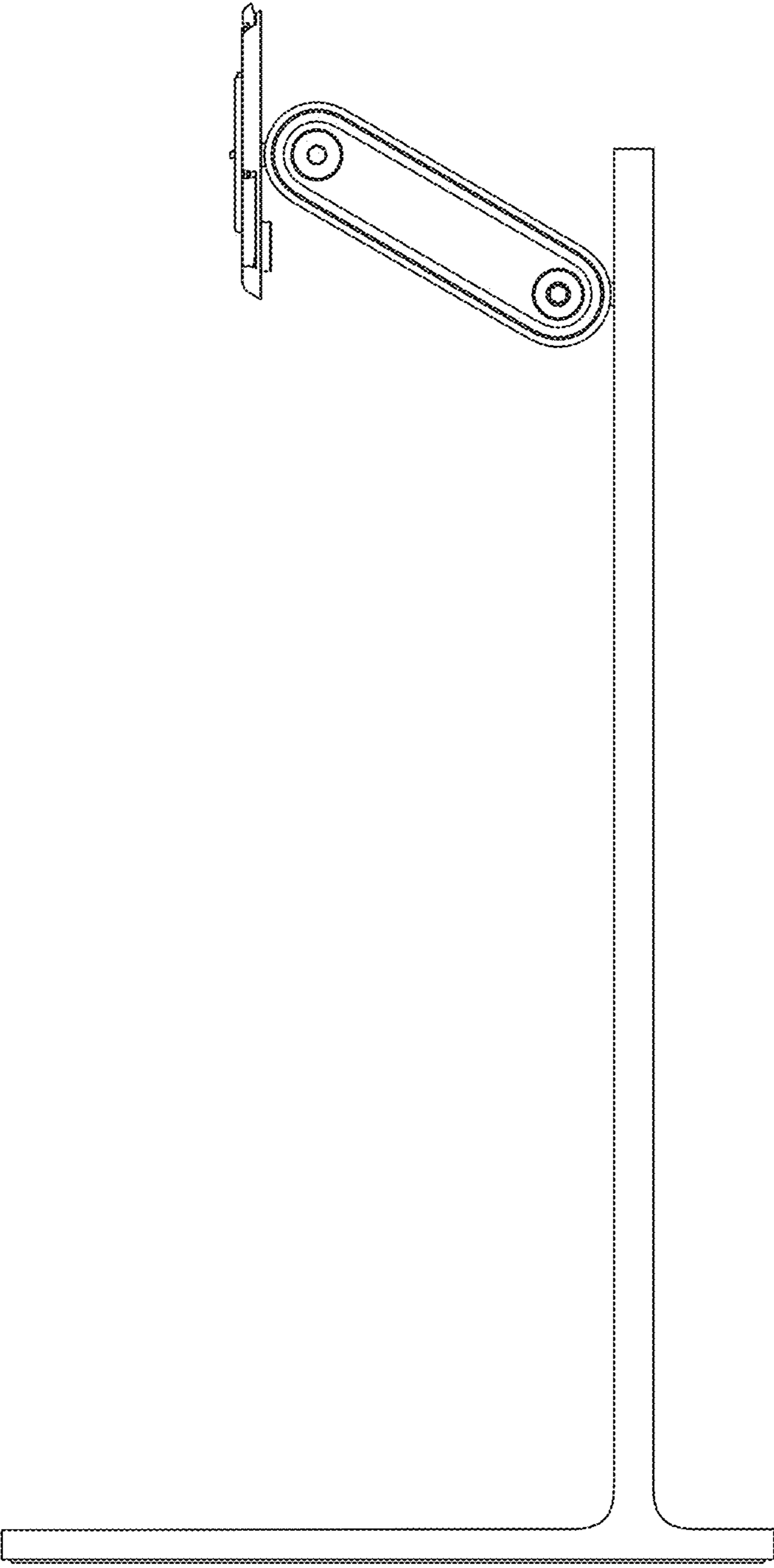


Fig. 5

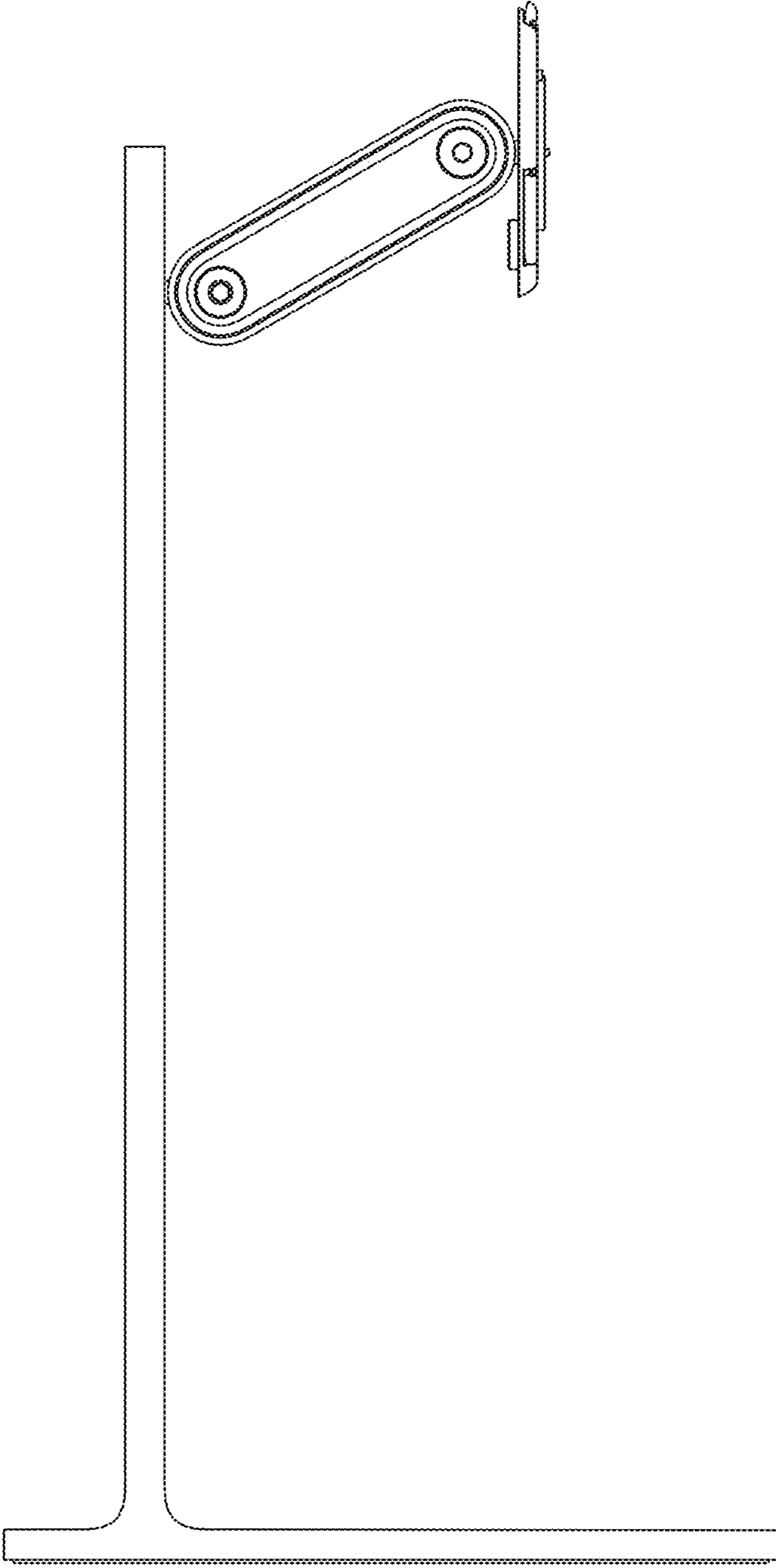


Fig. 6

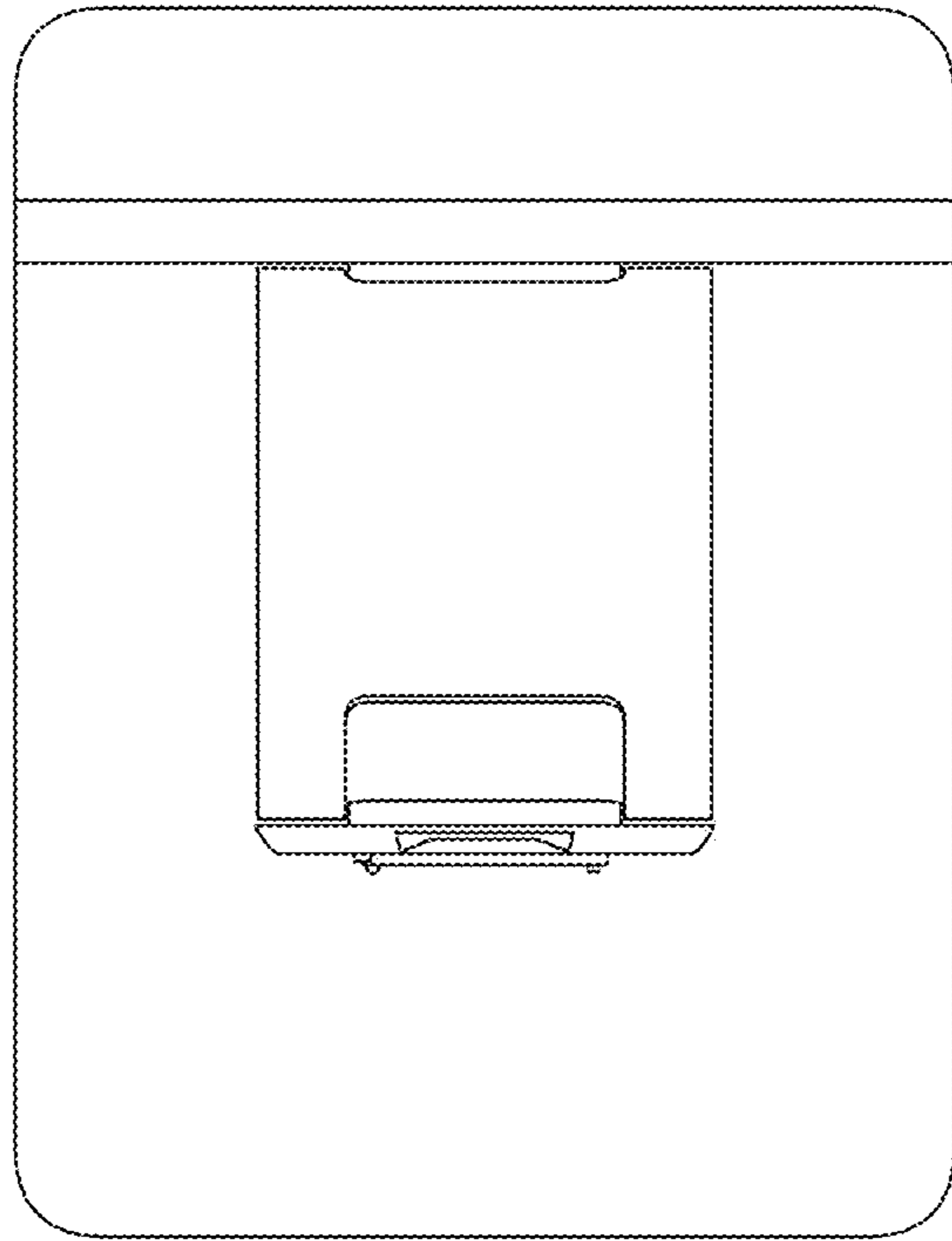


Fig. 7

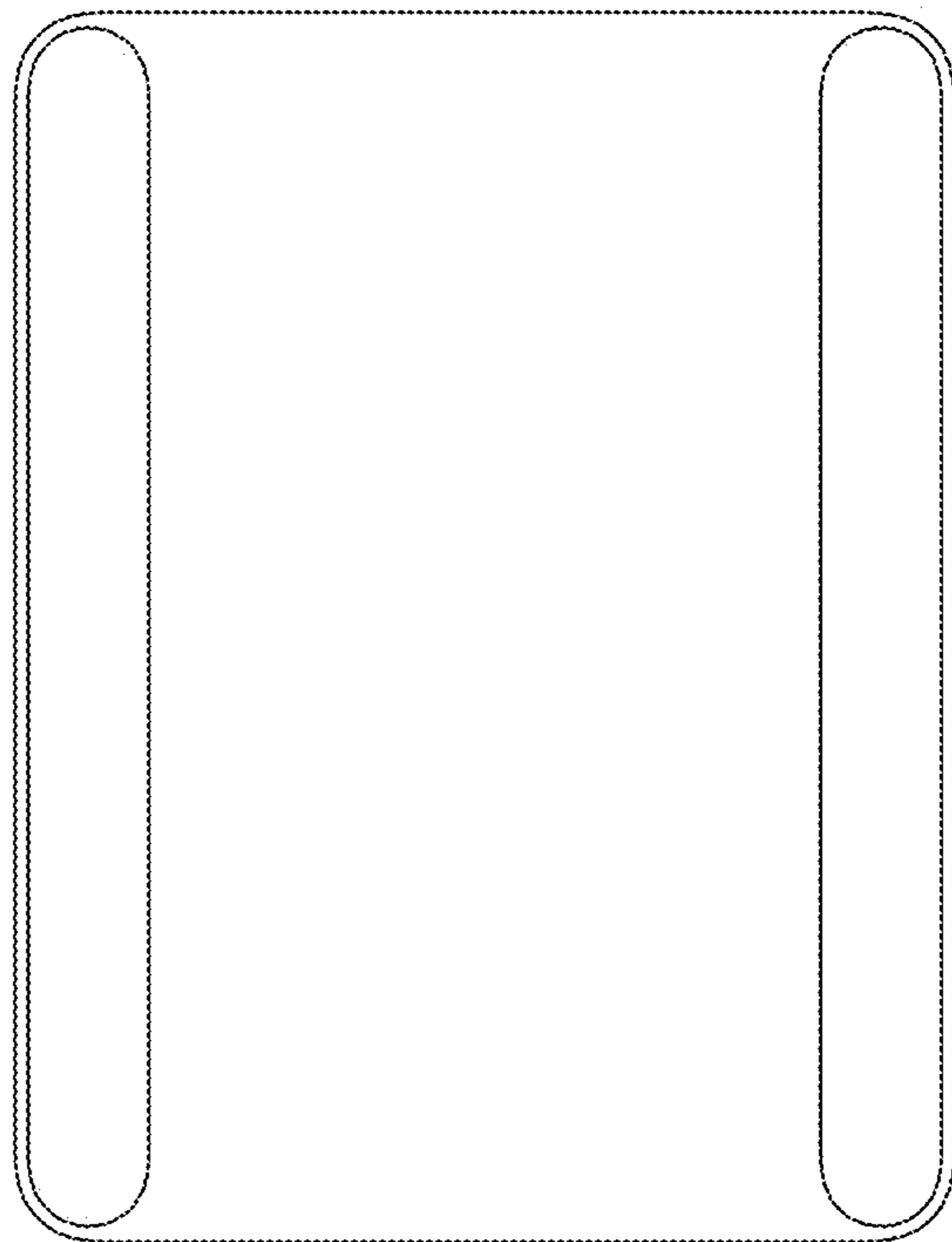


Fig. 8