



US00D933669S

(12) **United States Design Patent**
Carrasquillo

(10) **Patent No.:** **US D933,669 S**

(45) **Date of Patent:** **** *Oct. 19, 2021**

(54) **DISPLAY SUPPORT**

(71) Applicant: **Innovative Office Products, LLC**,
Easton, PA (US)

(72) Inventor: **Peter J. Carrasquillo**, Kennett Square,
PA (US)

(73) Assignee: **Innovative Office Products, LLC**,
Easton, PA (US)

(*) Notice: This patent is subject to a terminal dis-
claimer.

(**) Term: **15 Years**

(21) Appl. No.: **29/650,201**

(22) Filed: **Jun. 5, 2018**

(51) **LOC (13) Cl.** **14-02**

(52) **U.S. Cl.**
USPC **D14/452**

(58) **Field of Classification Search**

USPC D14/447-452, 336, 337, 341, 371, 373,
D14/374, 375, 376, 377, 126, 127, 128,
D14/129, 239

CPC F16M 11/105; F16M 11/10; F16M 11/048;
F16M 11/12; F16M 13/022; A47B
2021/0364

See application file for complete search history.

(56) **References Cited**

U.S. PATENT DOCUMENTS

- D769,881 S * 10/2016 Lazzi D14/452
- D812,066 S * 3/2018 Lazzi D14/447
- D827,337 S * 9/2018 Herring D6/641
- D834,028 S * 11/2018 Wu D14/447
- D854,861 S * 7/2019 Lee D6/656
- D862,936 S * 10/2019 Laudadio D6/656.15
- D871,113 S * 12/2019 Lucas D6/656.15
- 2015/0159804 A1 * 6/2015 Bowman F16M 11/045
248/122.1
- 2017/0196352 A1 * 7/2017 King A47B 21/02
- 2017/0202351 A1 * 7/2017 Bowman F16M 11/18

(Continued)

FOREIGN PATENT DOCUMENTS

CN 301492094 * 3/2011
WO WO-2017155987 A1 * 9/2017 F16M 11/10

OTHER PUBLICATIONS

Amazon. Link: https://www.amazon.com/dp/B06X9D61D3/ref=cm_sw_r_tw_dp_U_x_bkqHEbSP5J2BR. Feb. 22, 2017. Mount-It! Sit Stand Dual Monitor Wall Mount Workstation & Stand Up Computer. (Year: 2017).*

(Continued)

Primary Examiner — Lauren D McVey

(74) *Attorney, Agent, or Firm* — Design IP

(57) **CLAIM**

The ornamental design for a display support, as shown and described.

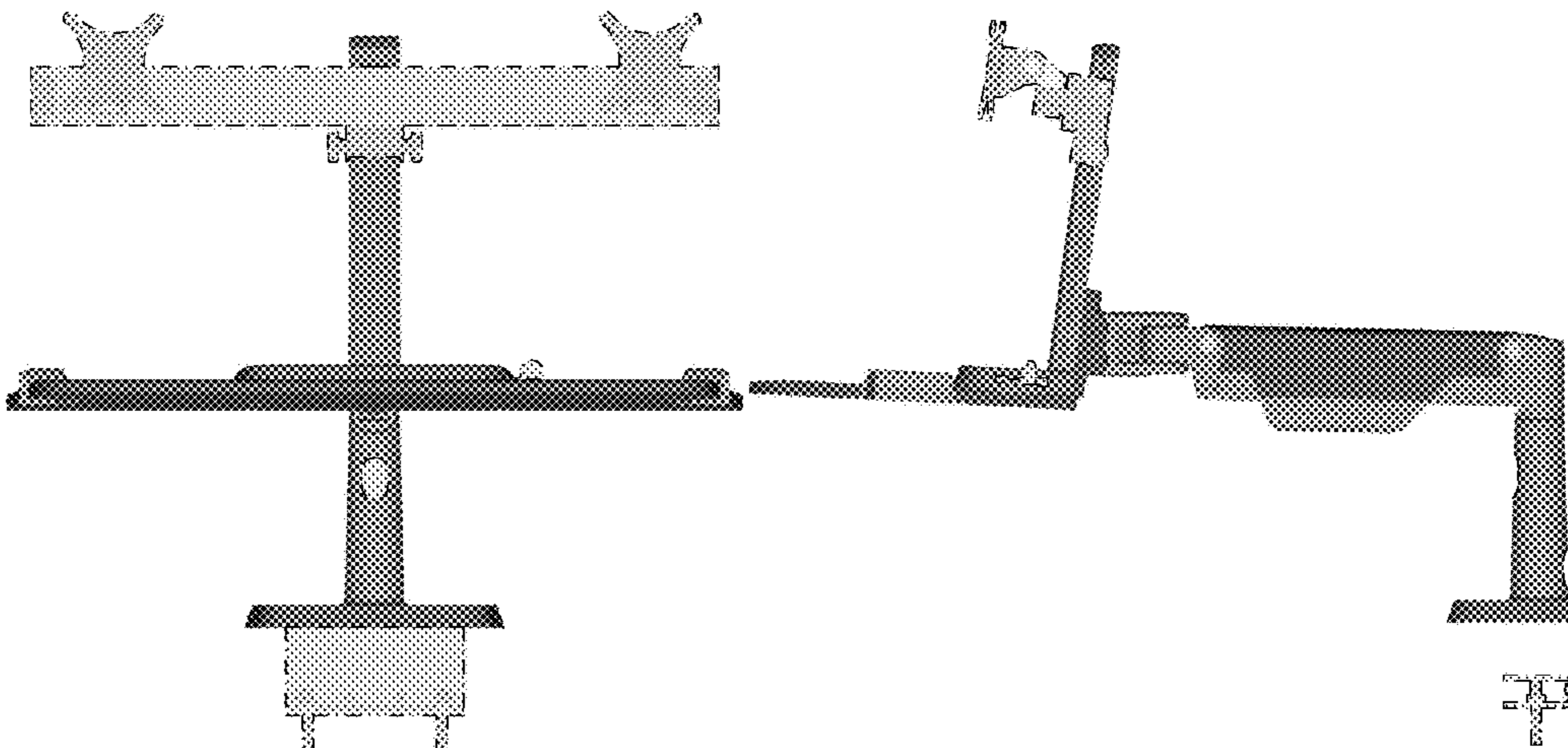
DESCRIPTION

FIG. 1 is a perspective front view of-a display support showing my new design;
FIG. 2 is an alternate perspective front view thereof;
FIG. 3 is a perspective rear view thereof;
FIG. 4 is an alternate perspective rear view thereof;
FIG. 5 is a front elevation view thereof;
FIG. 6 is a rear elevation view thereof;
FIG. 7 is a left side elevation view thereof;
FIG. 8 is a right side elevation view thereof;
FIG. 9 is a top plan view thereof; and,
FIG. 10 is a bottom plan view thereof.

The greyscale in the drawings indicates a contrast in appearance.

The dash-dot broken lines depict the bounds of the claimed design and the areas shown within the dash-dot broken lines represent portions of the display support that form no part of the claimed design.

1 Claim, 10 Drawing Sheets



(56)

References Cited

U.S. PATENT DOCUMENTS

2018/0020825 A1* 1/2018 Hung A47B 21/02
108/31
2019/0159586 A1* 5/2019 Wiener A47B 9/08
2019/0374025 A1* 12/2019 Bowman A47B 21/04

OTHER PUBLICATIONS

Amazon. Link: https://www.amazon.com/dp/B07T93F3QQ/ref=cm_sw_r_tw_dp_U_x_mqHEbN9A92JC. Jun. 18, 2019. Mount-It! Dual Monitor Stand with Keyboard Tray| Height Adjustable Sit Stand. (Year: 2019).*

Humanscale Design Studio, Quickstand Lite [online], [retrieved on Jun. 1, 2018] Retrieved from the internet: <<https://www.humanscale.com/products/product.cfm?group=quickstandlite%29>>.

Ergotron WorkFit-A, Dual Monitor with Worksurface [online], [retrieved on Jun. 1, 2018] Retrieved from the internet: <[https://www.ergotron.com/en-us/products/product-details/24-316#/>](https://www.ergotron.com/en-us/products/product-details/24-316#/)>.

Monumental Mounts Sit-Stand Combo Workstation Wall Mount System—AMR1AWS [online], [retrieved on Jun. 1, 2018] Retrieved from the internet: <https://monumentalmounts.com/products/sit-stand-combo-workstation-wall-mount-system-amr1aws?utm_medium=cpc&utm_source=googlepla&variant=1774339329&gclid=EAlalQobChMlwuy-0PKt2wIVRwOGCh3WLwnAEAYYAyABEgIX_PD_BwE%29>.

Mount-It! Sit-Stand Laptop Mount Arm [online], [retrieved on Jun. 1, 2018] Retrieved from the internet: <https://www.amazon.com/Mount-Adjustable-Workstation-Notebooks-Capacity/dp/B06WW53FTN/ref=sr_1_2_sspa?ie=UTF8&qid=1527869356&sr=8-2-spons&keywords=mount+it+sit+stand+laptop+mount+arm&psc=1>.

Kelly Sit-Stand Workstation with Dual Monitor Arm Supports [online], [retrieved on Jun. 1, 2018] Retrieved from the internet: <www.kellyrest.com/sitstandworkstation.aspx>.

* cited by examiner

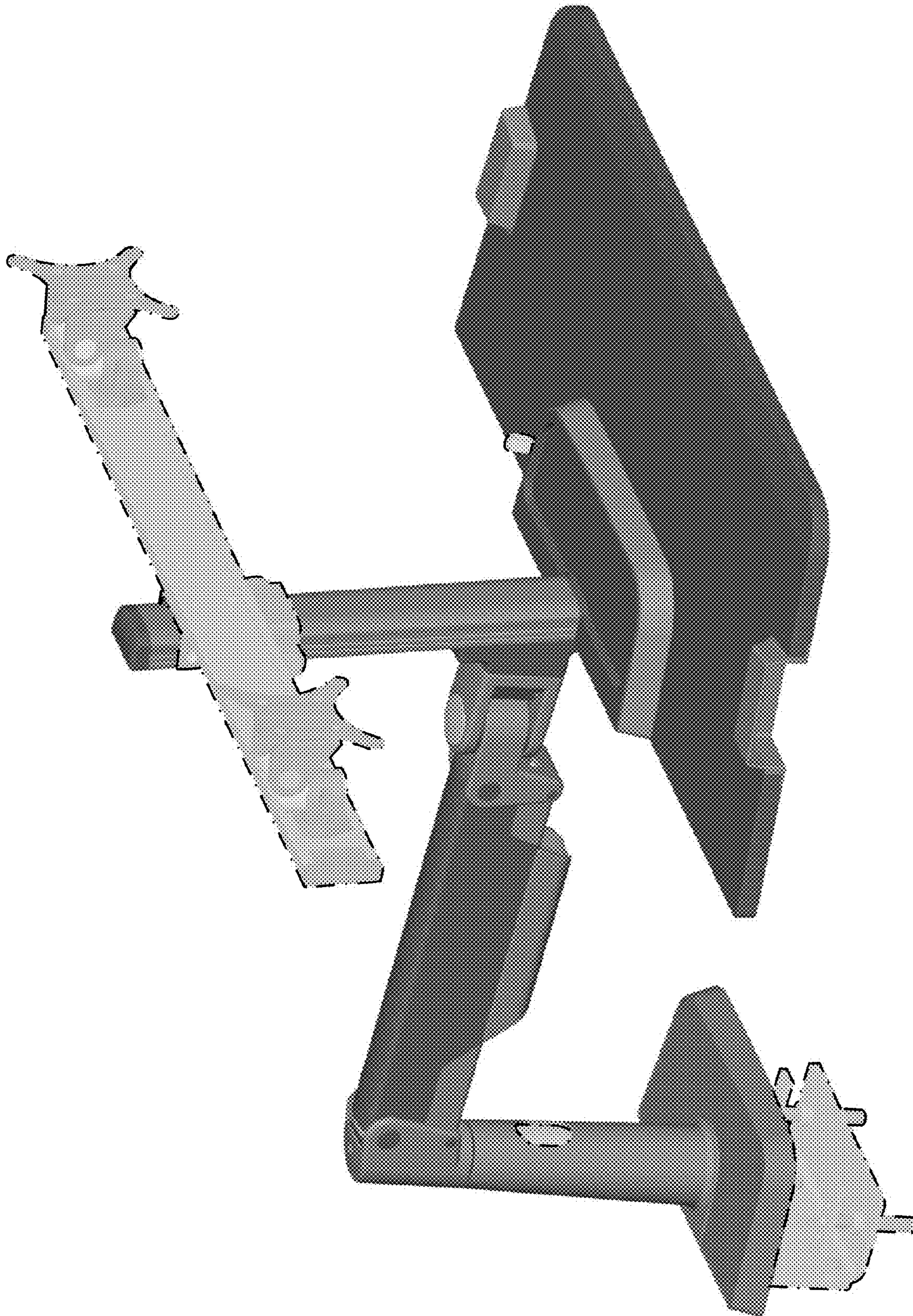


FIG. 1

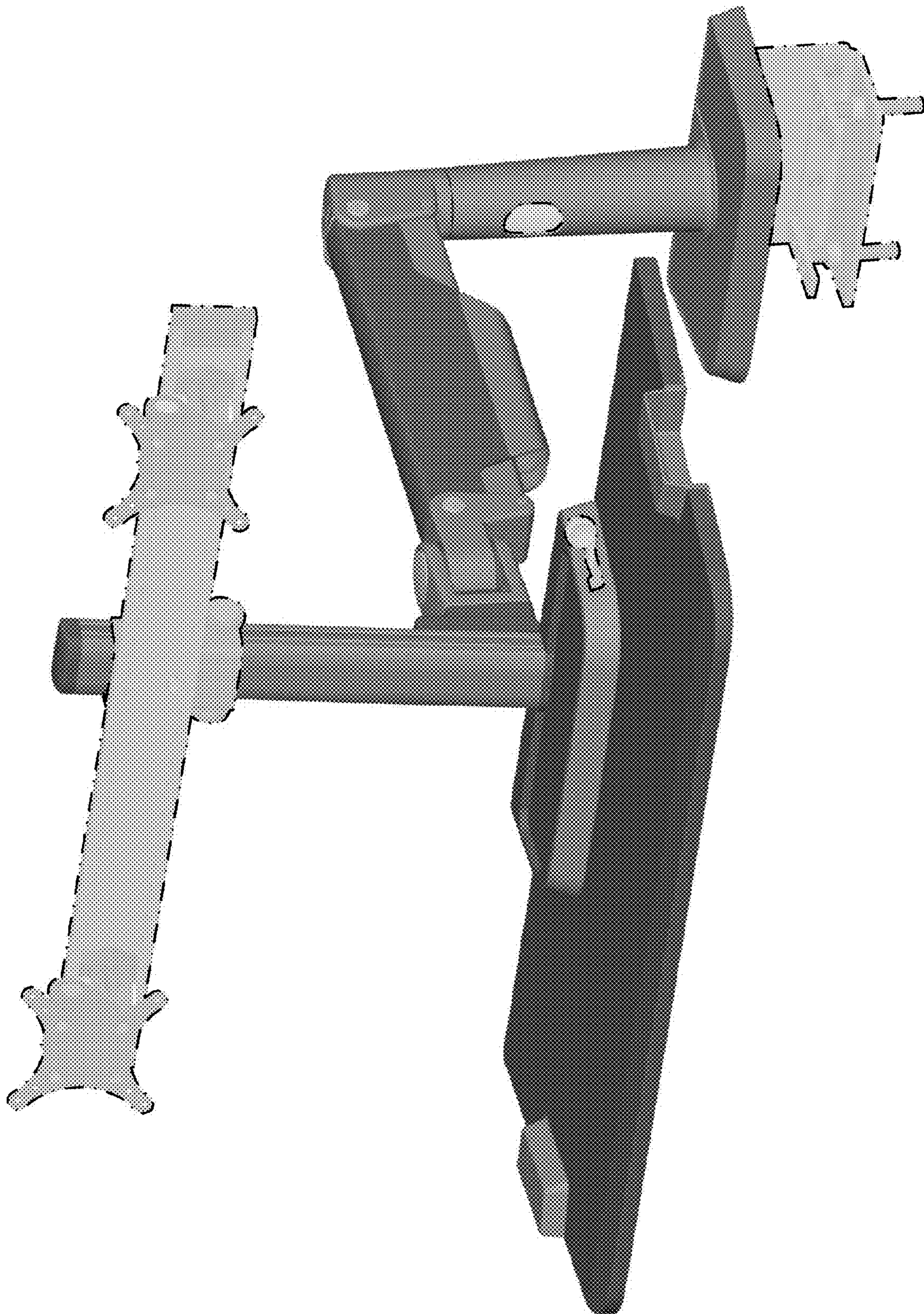


FIG. 2

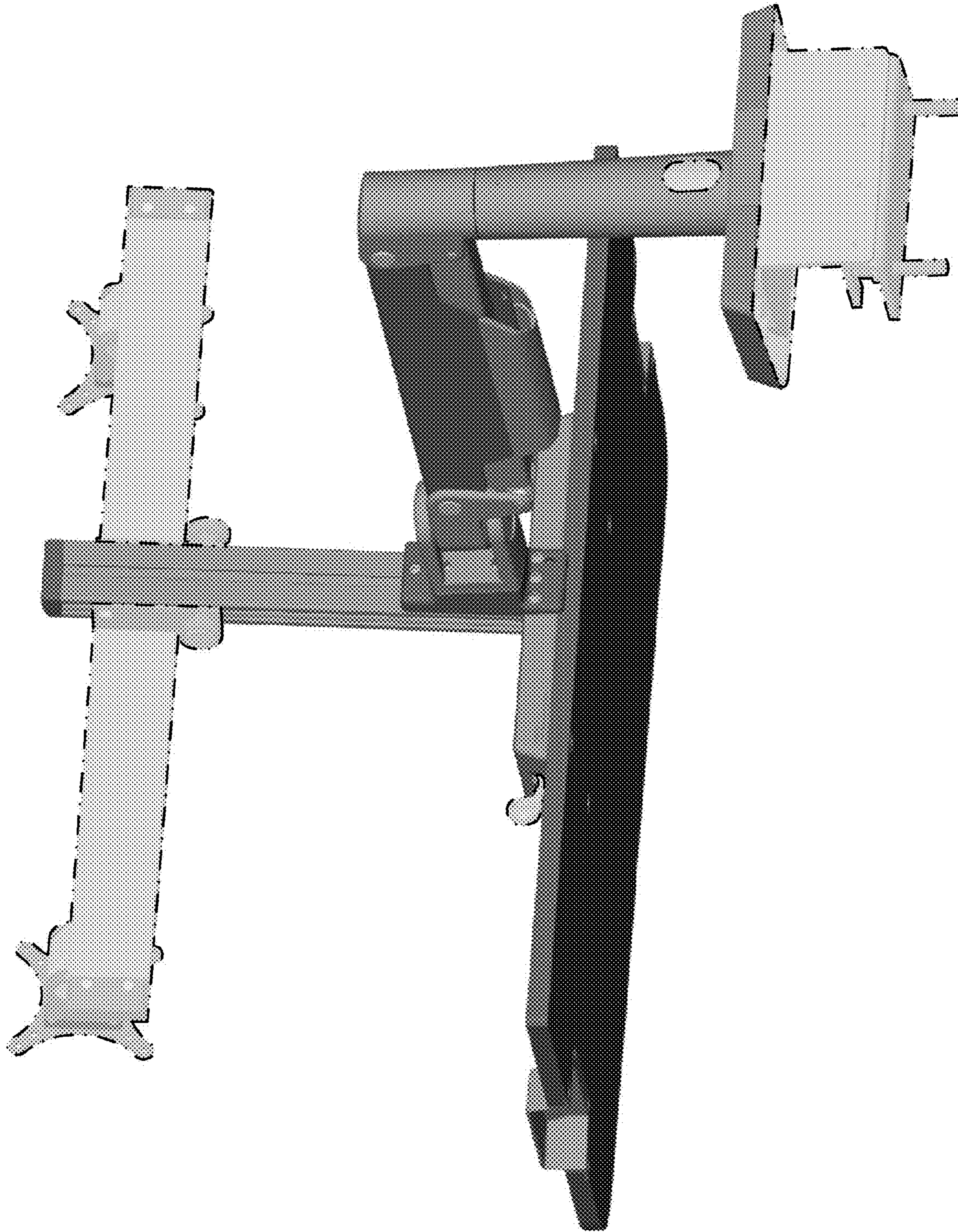


FIG. 3

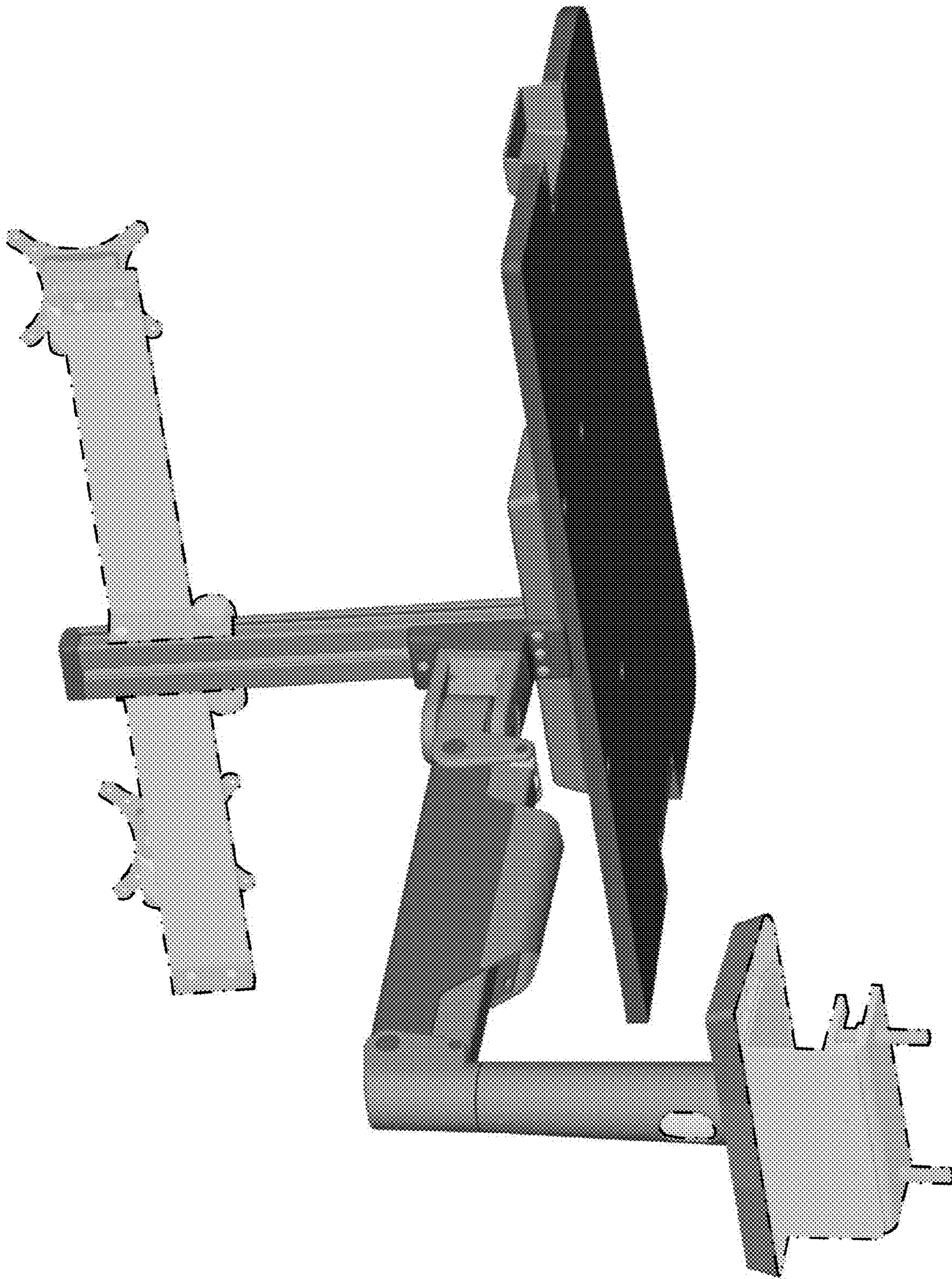


FIG. 4

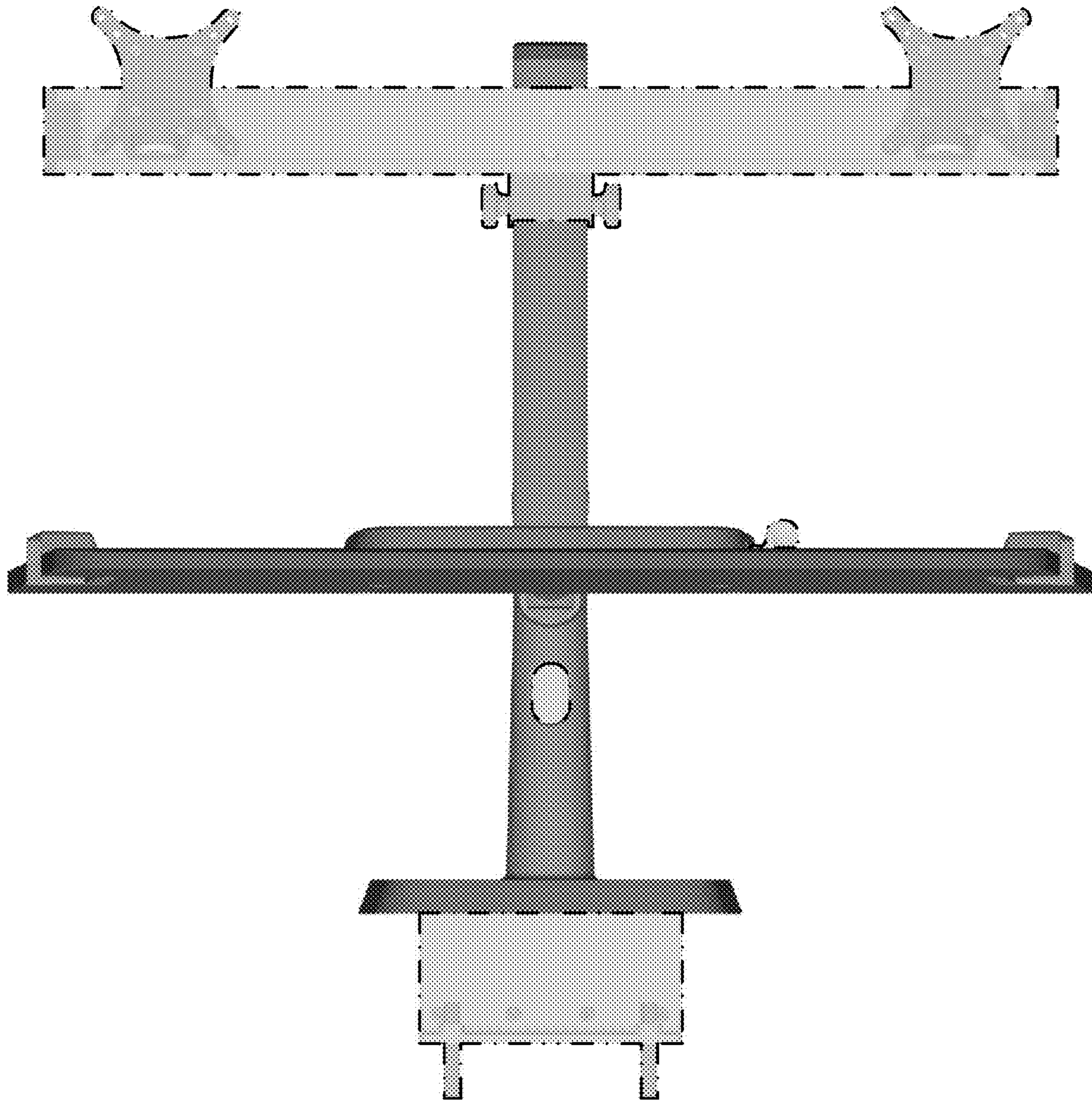


FIG. 5

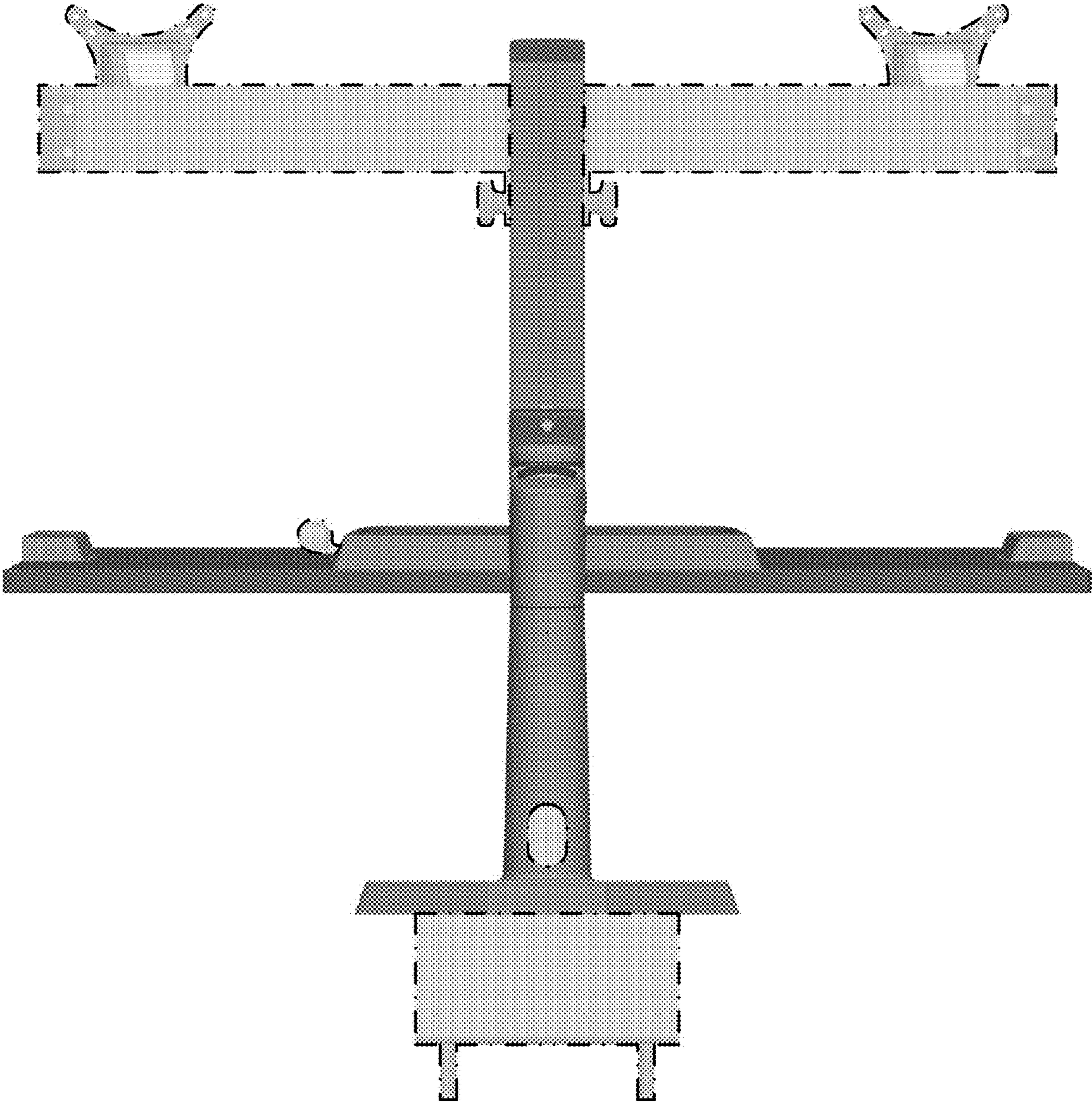


FIG. 6

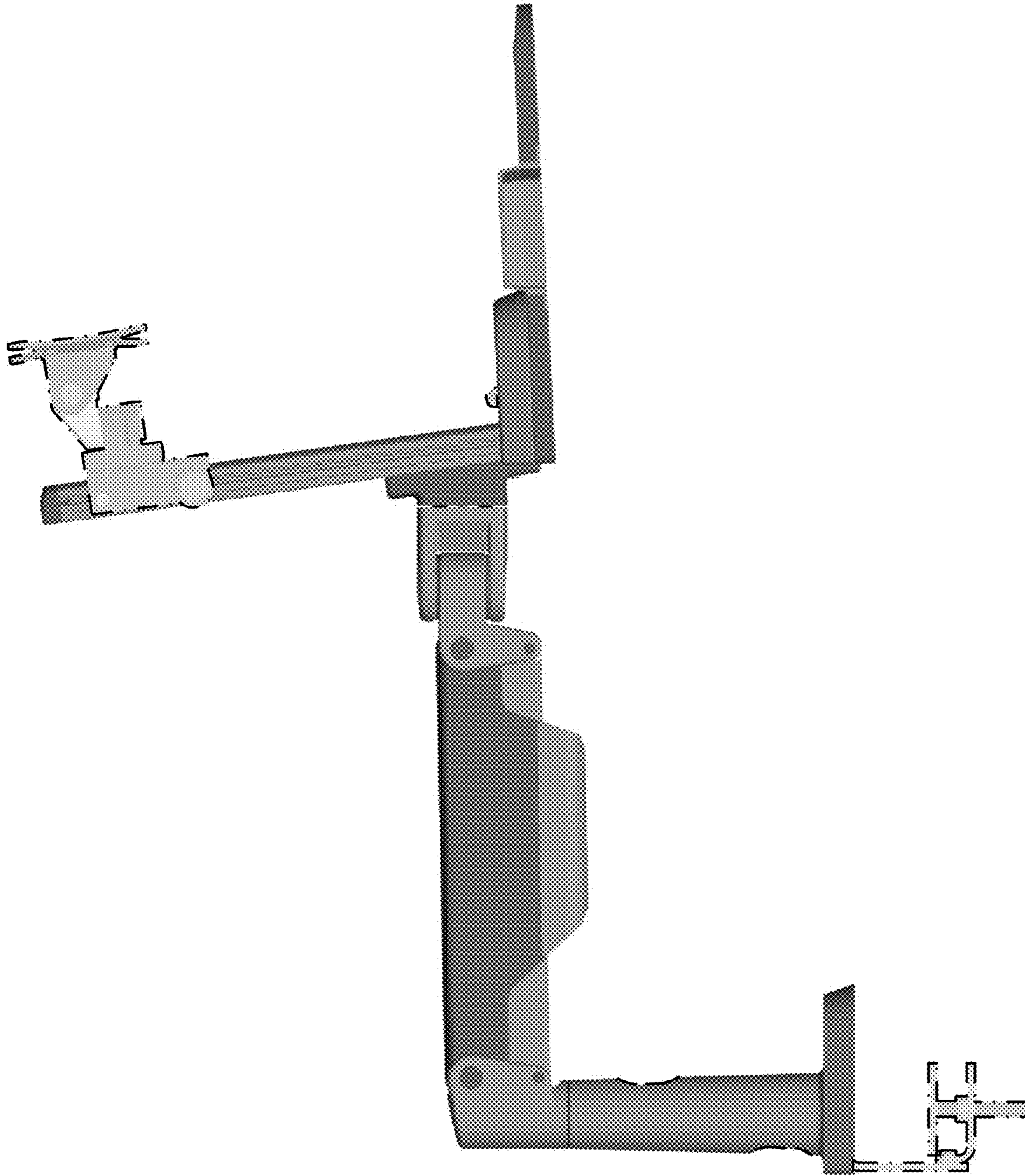


FIG. 7

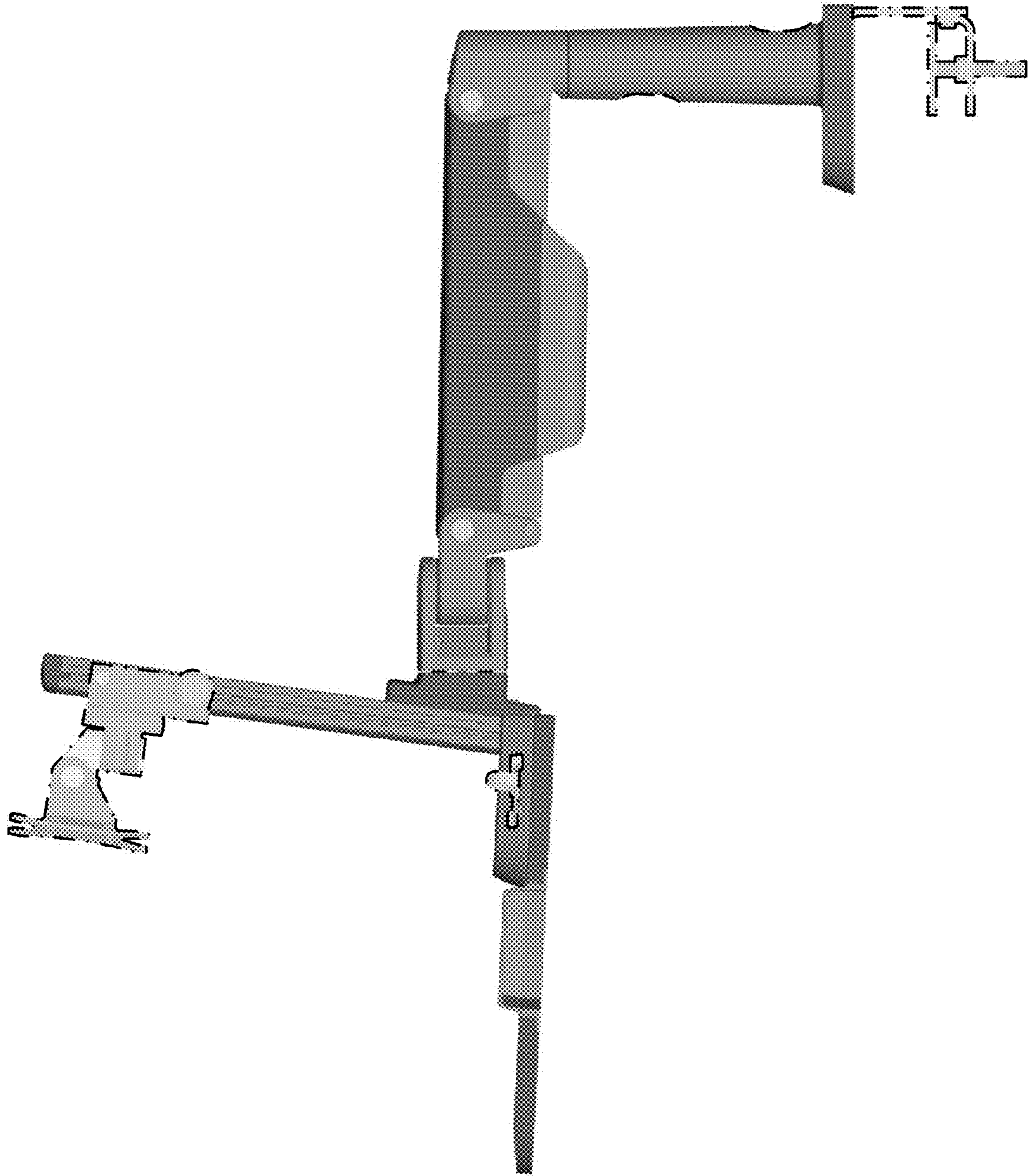


FIG. 8

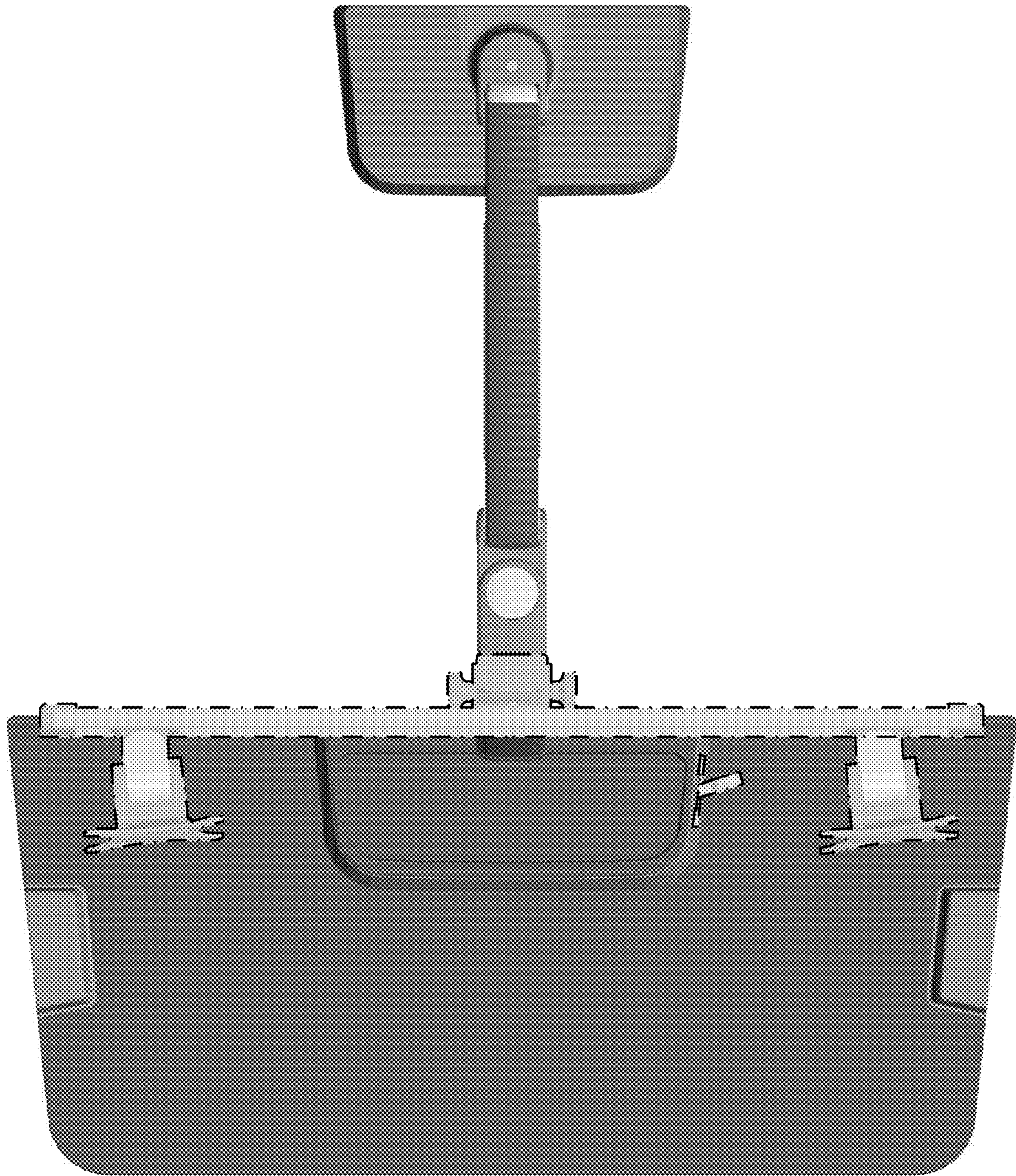


FIG. 9

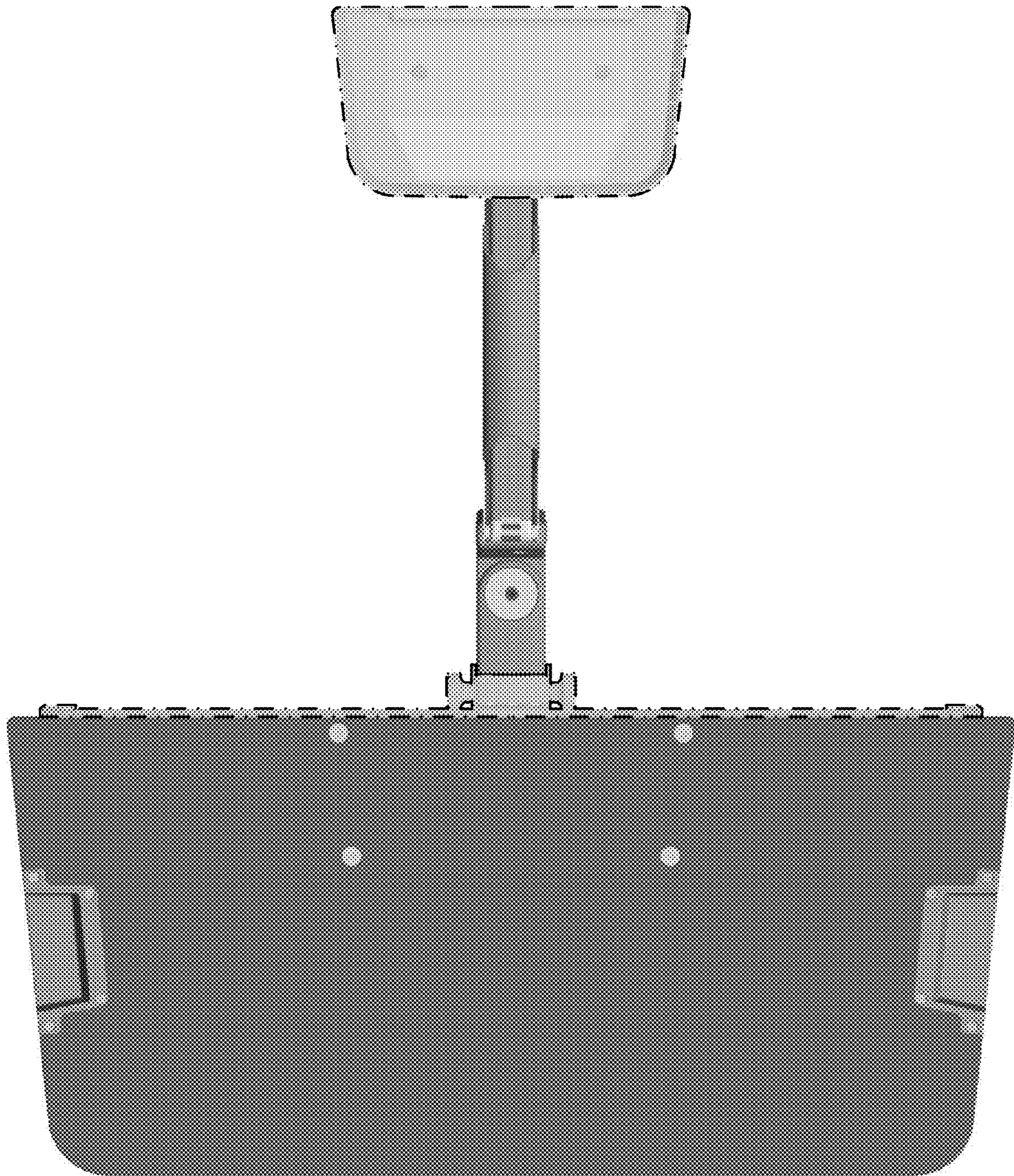


FIG. 10