



US00D933668S

(12) **United States Design Patent** (10) **Patent No.:** **US D933,668 S**
Trudnak et al. (45) **Date of Patent:** **** Oct. 19, 2021**

(54) **DISPLAY DEVICE MOUNT** D494,182 S * 8/2004 Singer D14/447
D508,916 S * 8/2005 Lee D14/434
(71) Applicants: **Robert Trudnak**, Lansdale, PA (US); D530,333 S * 10/2006 Richter D14/447
Eric Fulmer, Collegetown, PA (US) D588,141 S * 3/2009 Heggland D14/434
7,789,355 B2 * 9/2010 Gan F16M 11/24
248/157
(72) Inventors: **Robert Trudnak**, Lansdale, PA (US); D712,906 S * 9/2014 Wengreen D14/451
Eric Fulmer, Collegetown, PA (US) D837,223 S * 1/2019 Wu D14/451
D883,297 S * 5/2020 Latta D14/447
(73) Assignee: **Therm-Omega-Tech, Inc.**, Warminster, D912,346 S * 3/2021 Lee D32/31
PA (US) 2006/0049327 A1 * 3/2006 Chen F16M 11/105
248/371
(**) Term: **15 Years** 2007/0252919 A1 * 11/2007 McGreevy F16M 11/10
348/825

(21) Appl. No.: **29/725,972**

(22) Filed: **Mar. 10, 2020**

(51) **LOC (13) Cl.** **14-02**

(52) **U.S. Cl.**
USPC **D14/451**

(58) **Field of Classification Search**
USPC D14/211, 238, 251, 253, 371-382,
D14/125-129, 336, 337, 447, 448, 451,
D14/452, 492, 450, 239; 341/12;
345/104, 156, 168, 173; 348/180, 184,
348/325, 739; 349/1, 2, 11, 62;
361/679.05-679.07, 679.21; D6/300,
D6/310-313, 308, 708
CPC F16M 13/02; F16M 13/00; F16M 11/10;
F16M 11/04; F16M 2200/08; F16M
11/2021; A47B 21/0314; A47B 88/044;
A47B 2021/0335; H02G 3/126; F16B
47/00; F16B 47/006; A47G 1/17; A47K
2201/00
See application file for complete search history.

(56) **References Cited**

U.S. PATENT DOCUMENTS

D323,085 S * 1/1992 Konkel 248/158
D489,322 S * 5/2004 Sawai D13/108

* cited by examiner

Primary Examiner — Katie Jane Stofko

(74) *Attorney, Agent, or Firm* — Cusick IP, PLLC;
Clinton J. Cusick, Esq.

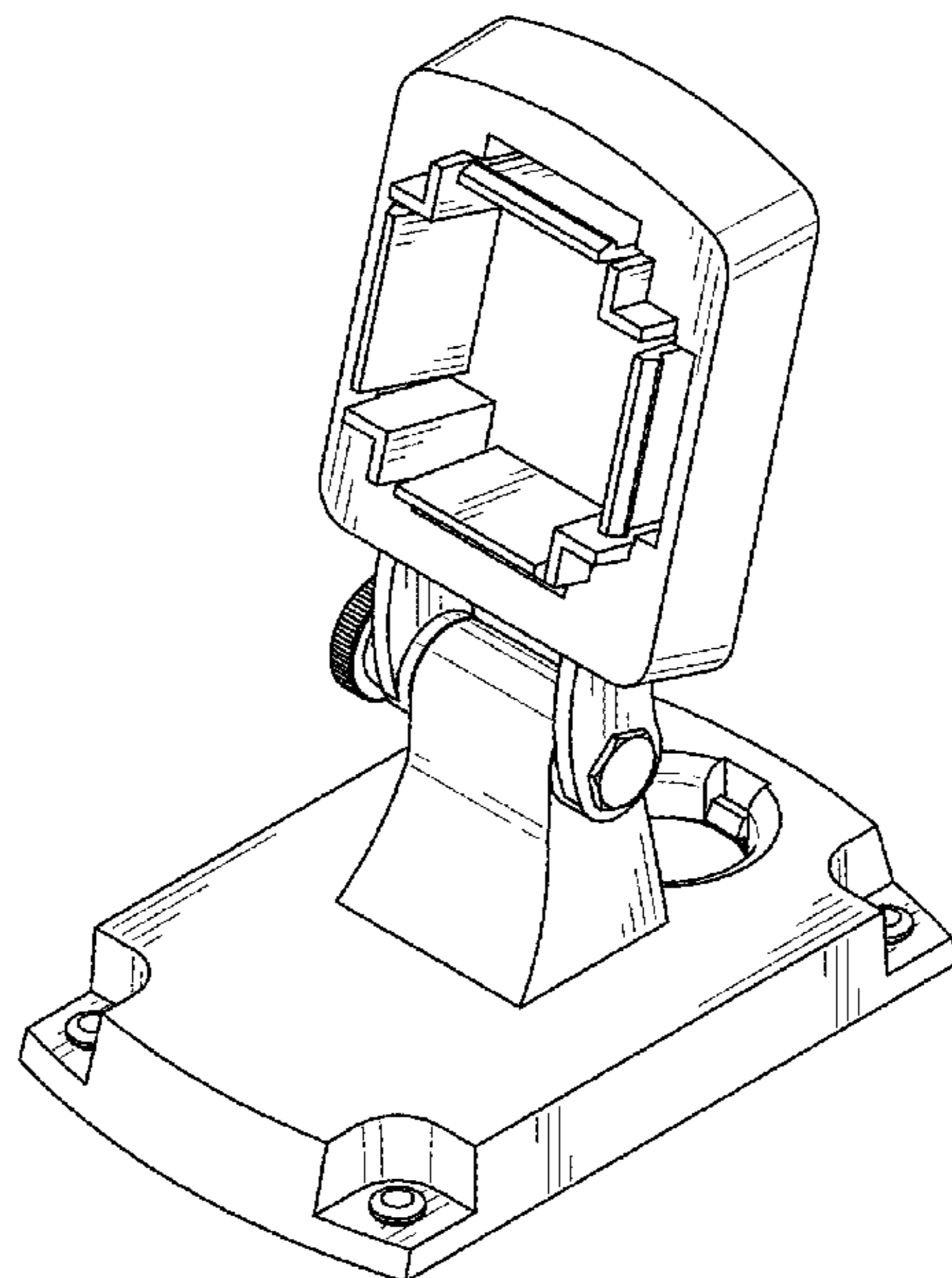
(57) **CLAIM**

The ornamental design for a display device mount, as shown.

DESCRIPTION

FIG. 1 is a perspective view of our new design of a display device mount;
FIG. 2 is a front elevation view thereof;
FIG. 3 is a right-side elevation view thereof;
FIG. 4 is a rear elevation view thereof;
FIG. 5 is a left-side elevation view thereof;
FIG. 6 is a top plan view thereof; and,
FIG. 7 is a bottom plan view thereof.
The broken lines shown in FIG. 7 illustrate portions of the display device mount that form no part of the claimed design.

1 Claim, 4 Drawing Sheets



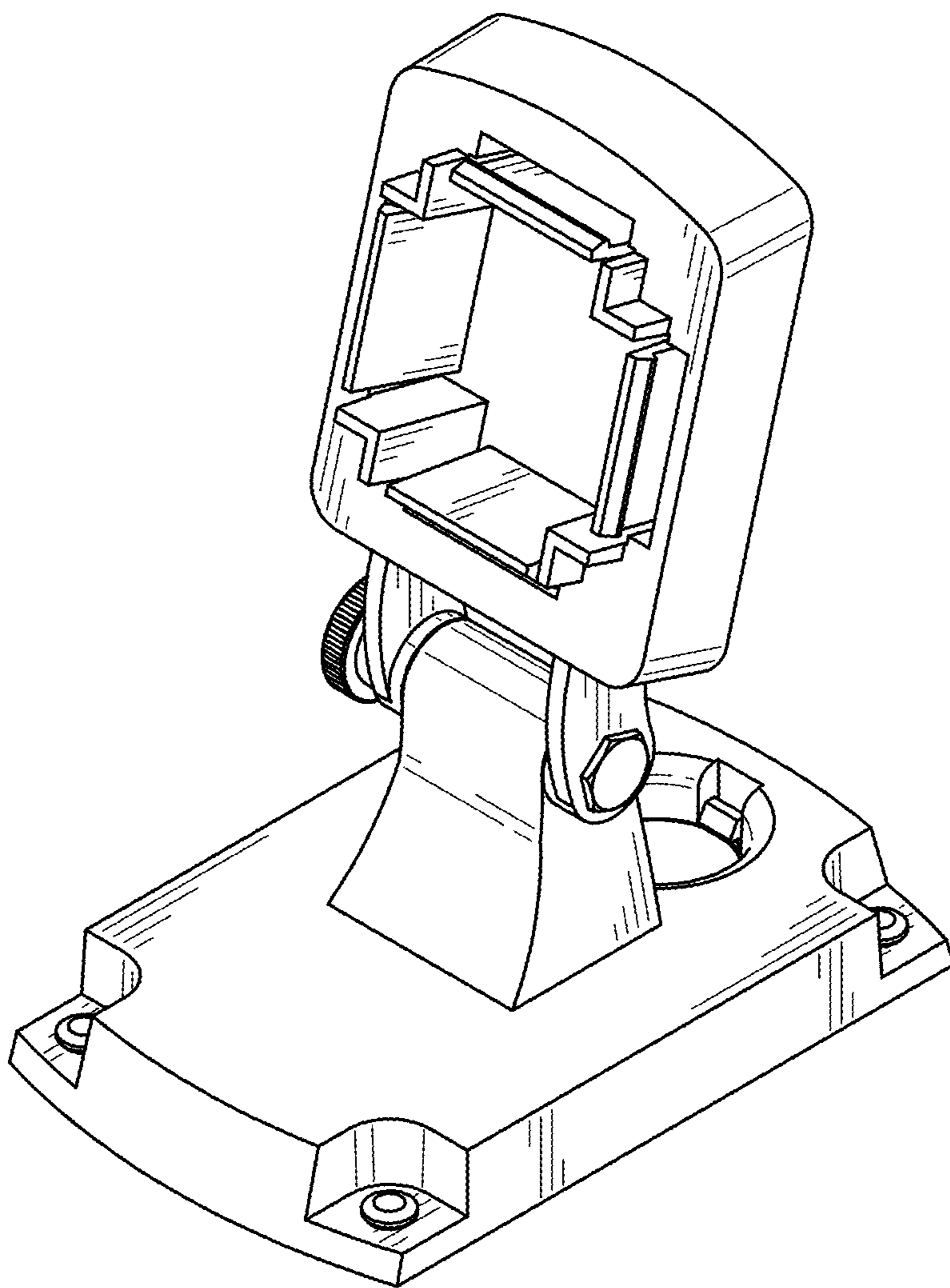


FIG. 1

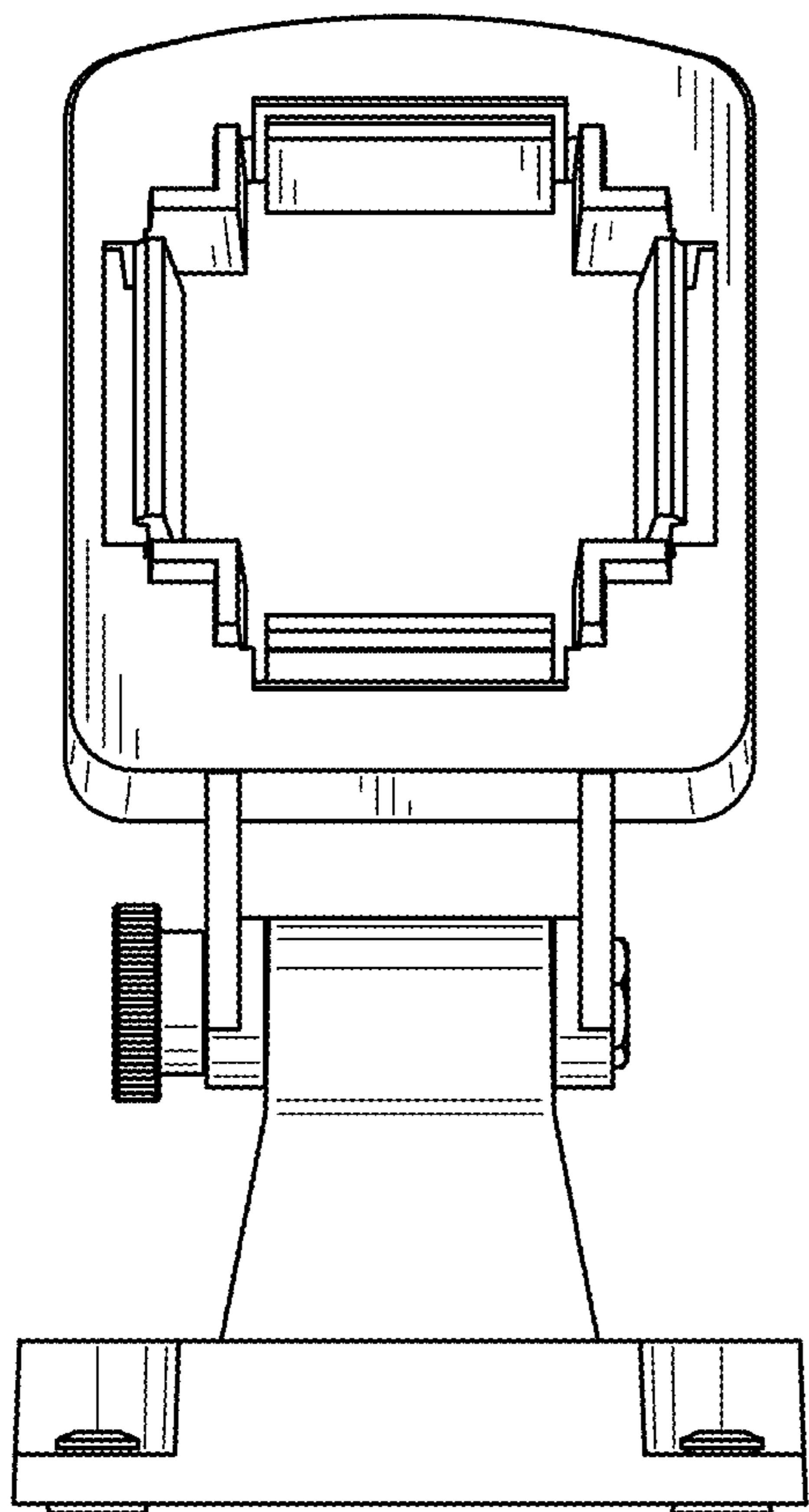


FIG. 2

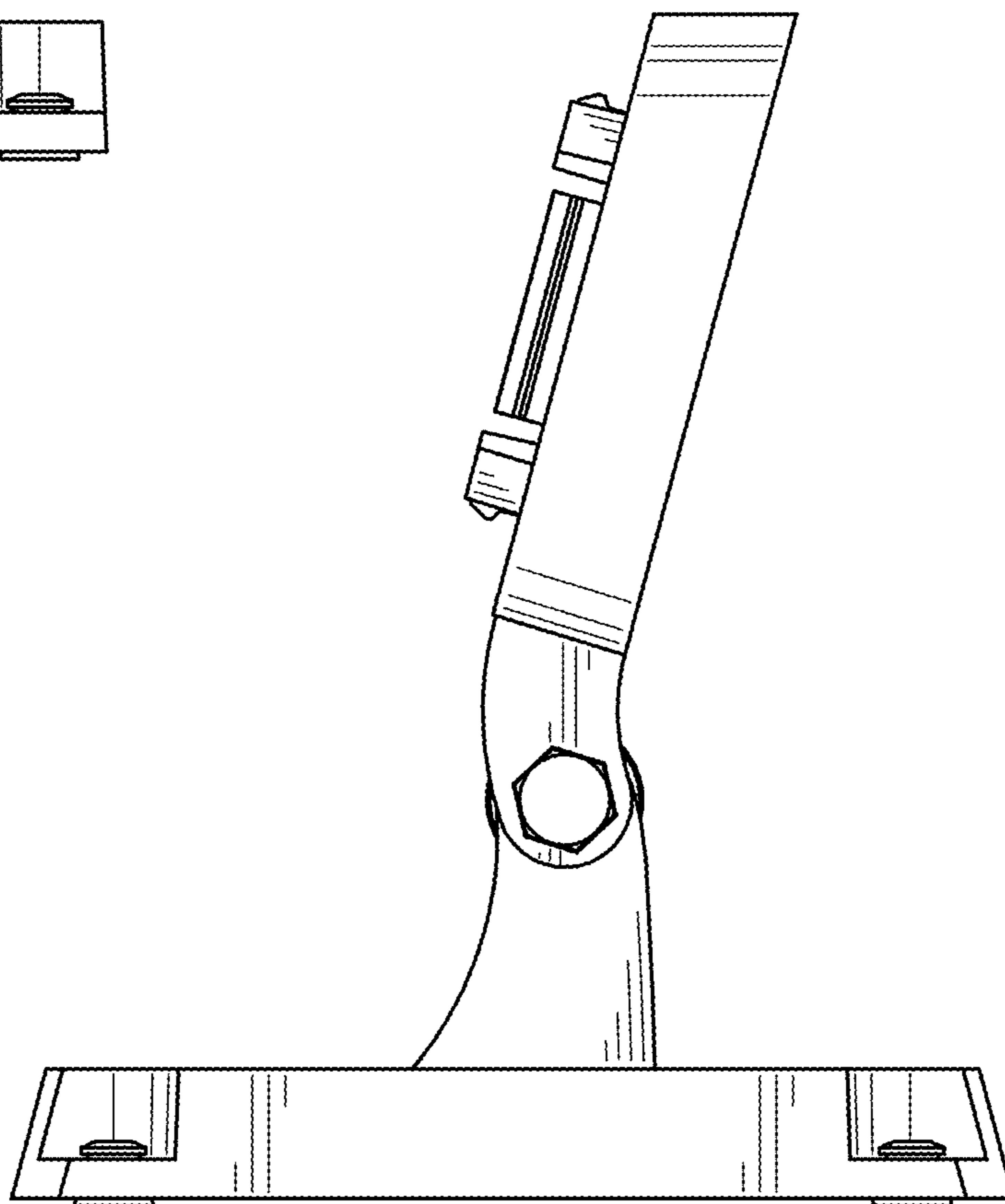


FIG. 3

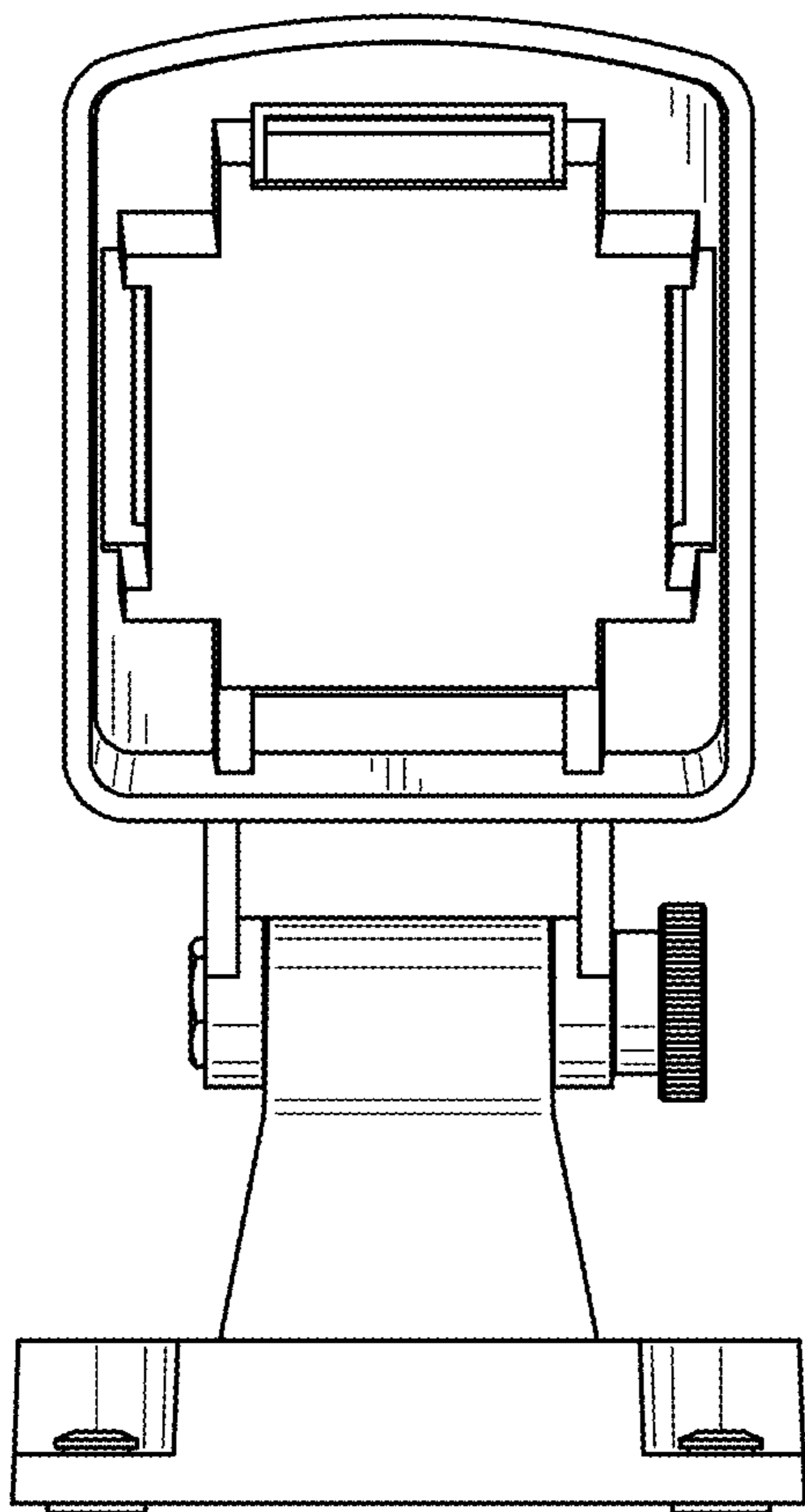


FIG. 4

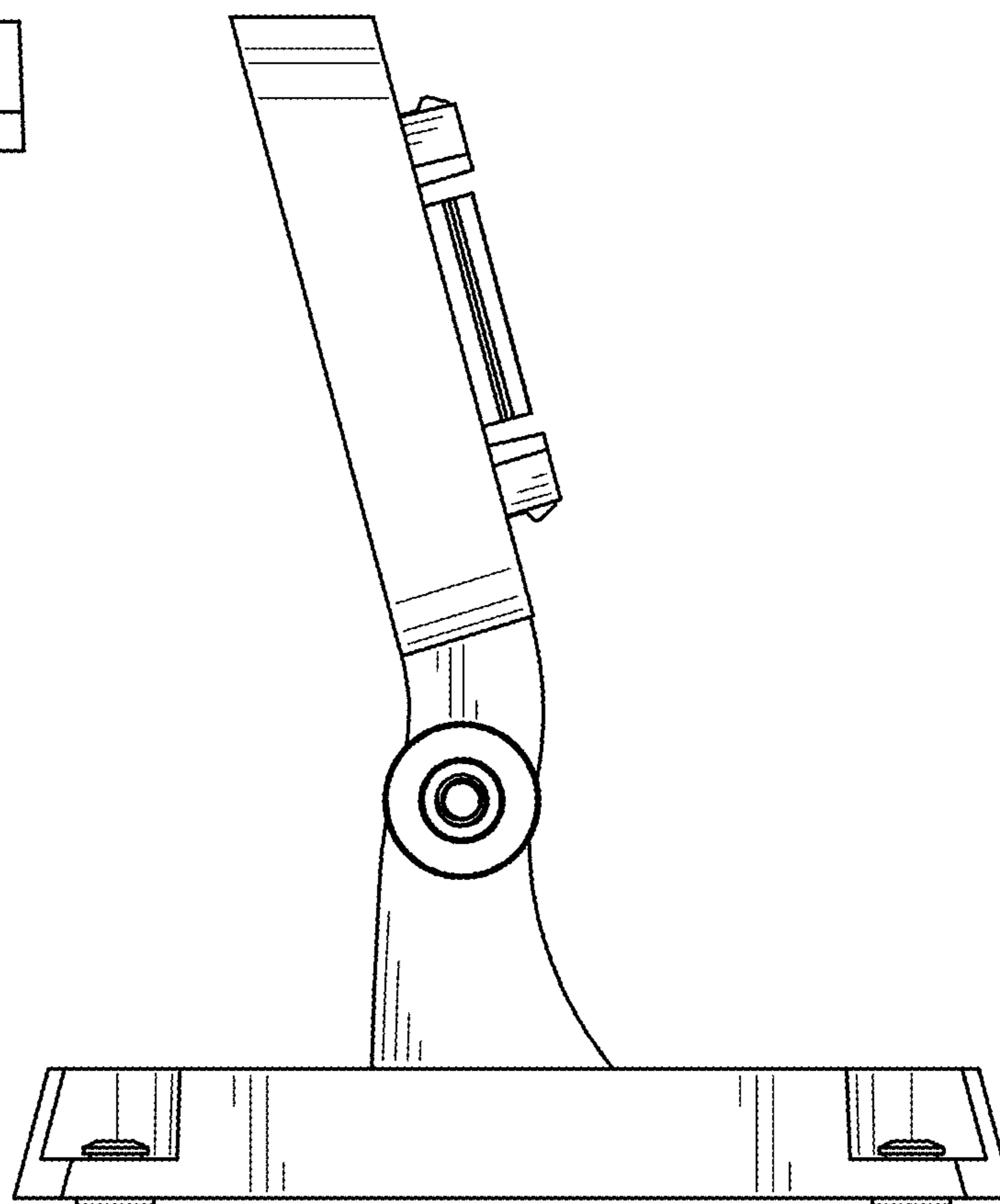


FIG. 5

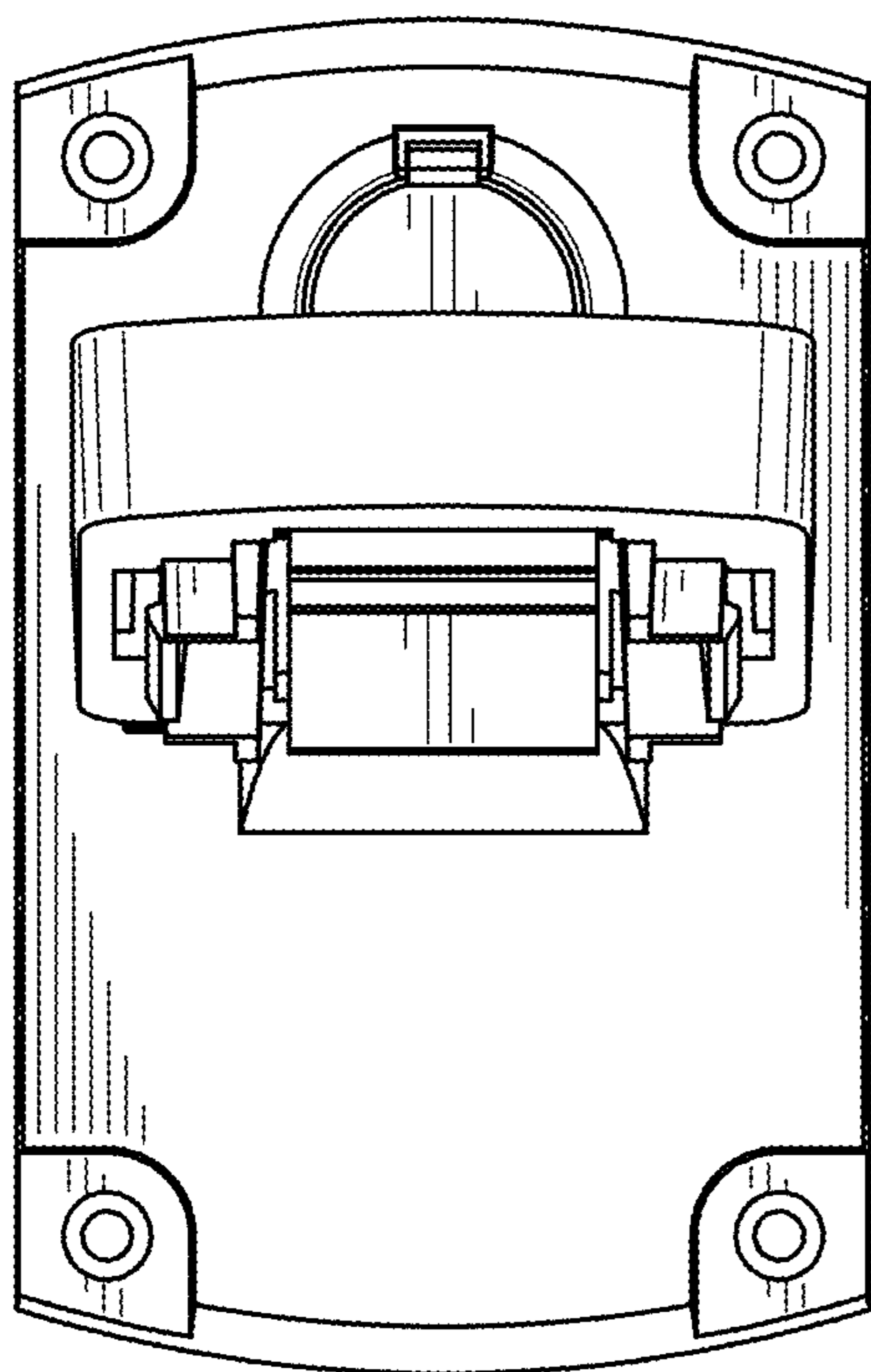


FIG. 6

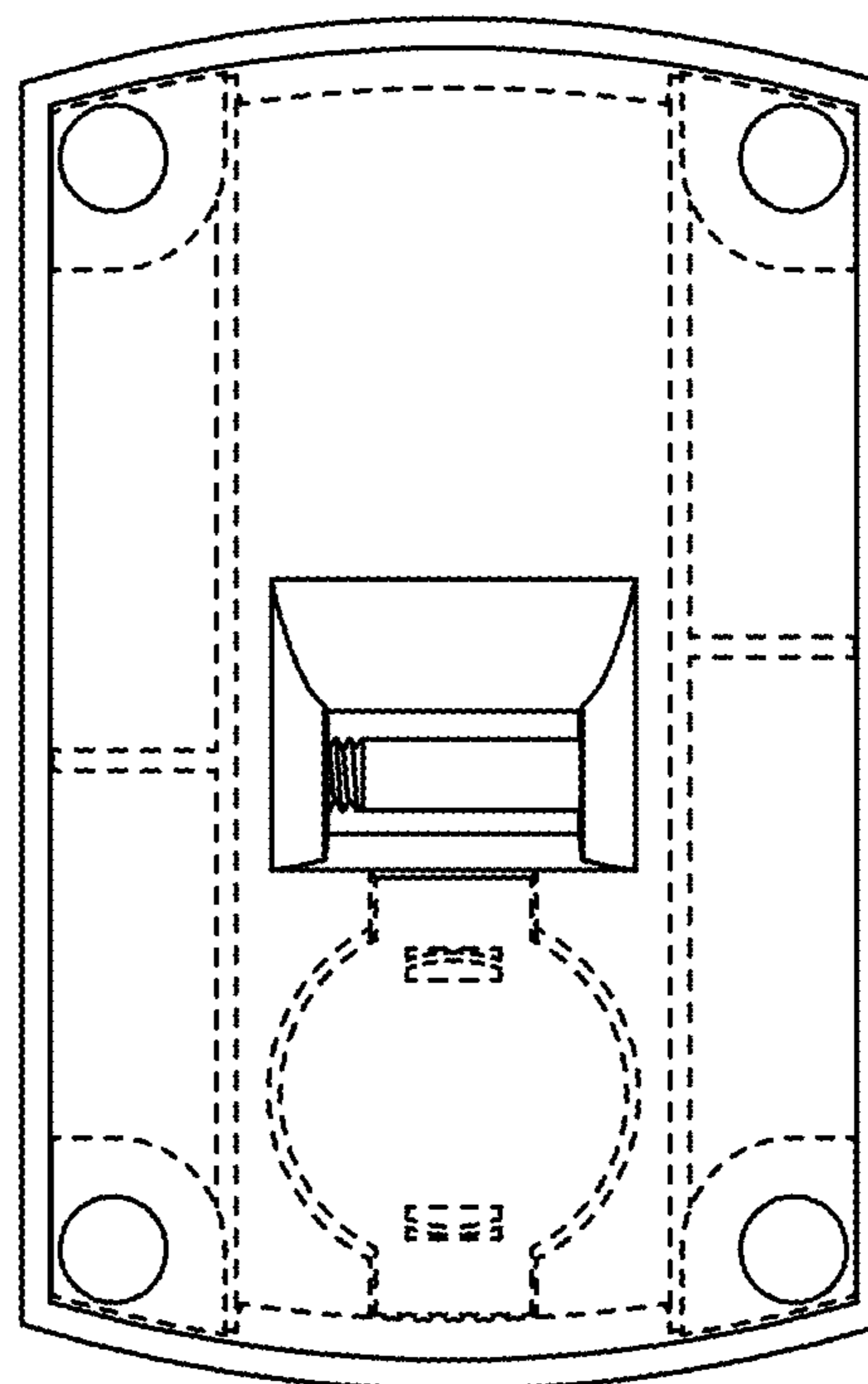


FIG. 7