



US00D933667S

(12) **United States Design Patent** (10) **Patent No.:** **US D933,667 S**
Siminoff et al. (45) **Date of Patent:** **** Oct. 19, 2021**

(54) **DEVICE MOUNT**
(71) Applicant: **Amazon Technologies, Inc.**, Seattle, WA (US)
(72) Inventors: **Mark Siminoff**, Mountain View, CA (US); **Matthew J. England**, Santa Monica, CA (US)
(73) Assignee: **Amazon Technologies, Inc.**, Seattle, WA (US)
(**) Term: **15 Years**
(21) Appl. No.: **29/717,909**
(22) Filed: **Dec. 19, 2019**

D662,939 S * 7/2012 Akana D14/447
D666,204 S * 8/2012 Han D14/447
D682,281 S 5/2013 Barnard et al.
D692,898 S 11/2013 Luijben
D693,814 S 11/2013 Park
D702,687 S 4/2014 Chu
D719,961 S 12/2014 Xiang et al.
D721,377 S 1/2015 Pelster et al.
(Continued)

FOREIGN PATENT DOCUMENTS

TW D114633 12/2006
TW D168385 6/2015
(Continued)

OTHER PUBLICATIONS

Translated Taiwanese Office Action dated Dec. 30, 2019 for Taiwanese Application No. 107306524, a counter part of U.S. Appl. No. 29/648,047, 1 page.
(Continued)

Primary Examiner — Angela J Lee
(74) *Attorney, Agent, or Firm* — Lee & Hayes, P.C.

(57) **CLAIM**

The ornamental design for a device mount, as shown and described.

DESCRIPTION

FIG. 1 is a front perspective view of a device mount; FIG. 2 is a front elevational view thereof; FIG. 3 is a rear elevational view thereof; FIG. 4 is a left-side elevational view thereof; FIG. 5 is a right-side elevational view thereof; FIG. 6 is a bottom plan view thereof; and, FIG. 7 is a top plan view thereof.
The dashed broken lines depict portions of the device mount that form no part of the claimed design.

1 Claim, 7 Drawing Sheets

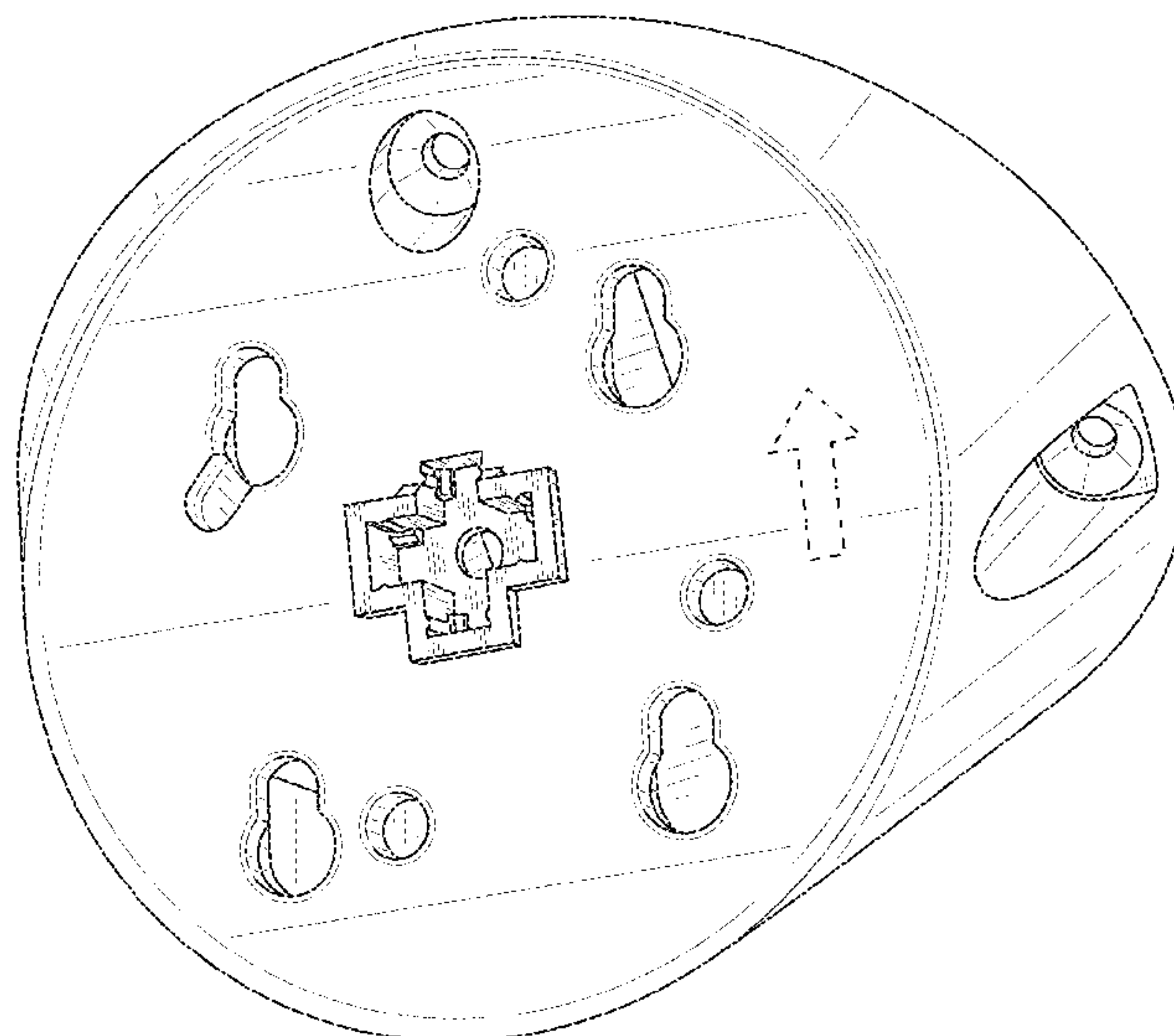
Related U.S. Application Data

(62) Division of application No. 29/648,047, filed on May 17, 2018, now Pat. No. Des. 872,096.
(51) **LOC (13) Cl.** **08-07**
(52) **U.S. Cl.**
USPC **D14/447**
(58) **Field of Classification Search**
USPC D14/447, 432, 434, 439, 440, 451, 452, D14/457, 239, 253; D8/363, 373, 380; D6/406.3, 406.4, 406.5, 406.6; D19/78, D19/86, 87, 91
CPC A47B 21/04; A47B 2097/006; A47B 2097/005; A47B 2023/049; A45C 2011/002; A45C 2011/003; F16M 2200/00; F16M 13/00
See application file for complete search history.

(56) **References Cited**

U.S. PATENT DOCUMENTS

D452,509 S 12/2001 Allsop
D521,003 S 5/2006 Shimizu
D578,061 S 10/2008 Kristensen
D640,976 S 7/2011 Matsuoka



(56)

References Cited

FOREIGN PATENT DOCUMENTS

U.S. PATENT DOCUMENTS

D722,959 S	2/2015	Bulgarov et al.	
D725,660 S *	3/2015	Trotsky	D14/447
D727,877 S	4/2015	Seoc	
D748,639 S *	2/2016	Khodapanah	D14/447
D751,431 S	3/2016	Browning et al.	
D773,325 S	12/2016	Browning et al.	
D783,002 S	4/2017	Pool	
D786,200 S	5/2017	Lagerstedt et al.	
D832,859 S	11/2018	Charlesworth et al.	
D846,554 S *	4/2019	Burmester	D14/447
D849,753 S *	5/2019	Divine, Jr.	D14/447
D868,770 S *	12/2019	Hohman	D14/253
D871,490 S *	12/2019	Wengreen	D16/242
D872,096 S *	1/2020	Siminoff	D14/447
D875,736 S *	2/2020	Ramones	D14/447
D878,380 S *	3/2020	Siminoff	D14/447
D888,064 S *	6/2020	Ahn	D14/447
D889,475 S *	7/2020	Yamamoto	D14/447

TW	D170660	9/2015
TW	D187035	12/2017

OTHER PUBLICATIONS

Taiwanese Office Action dated Dec. 30, 2019 for Taiwanese Patent Application No. 107306524, a counter part of U.S. Appl. No. 29/648,047, 2 pages.

Chinese Office Action dated Nov. 5, 2019 for Chinese Patent Application No. 201930492200.7, a counterpart of U.S. Appl. No. 29/648,047, 1 page.

Chinese Office Action dated Jun. 21, 2019 for Chinese Patent Application No. 201830627366.0, a counter part of U.S. Appl. No. 29/648,047, 1 page.

* cited by examiner

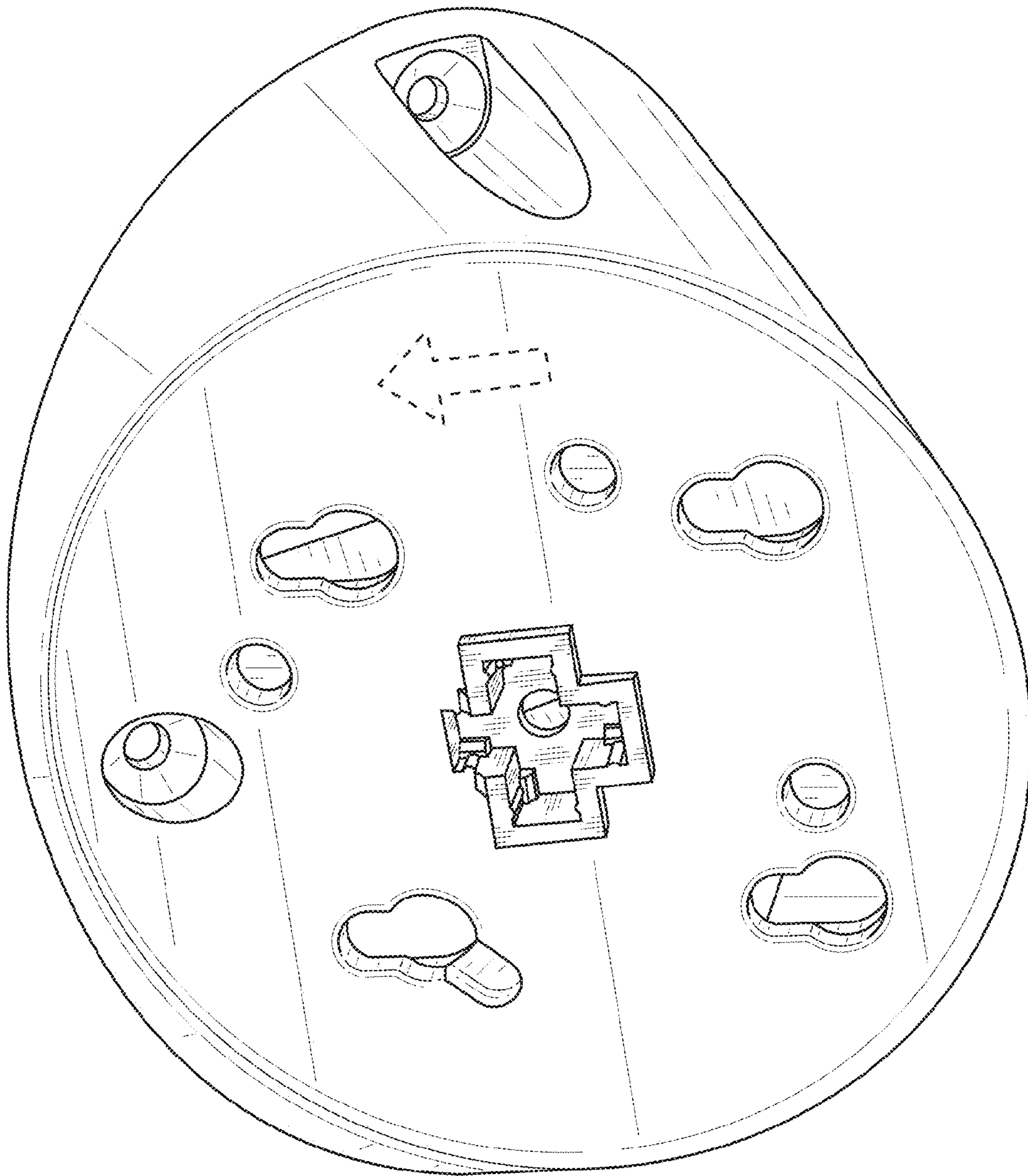


FIG. 1

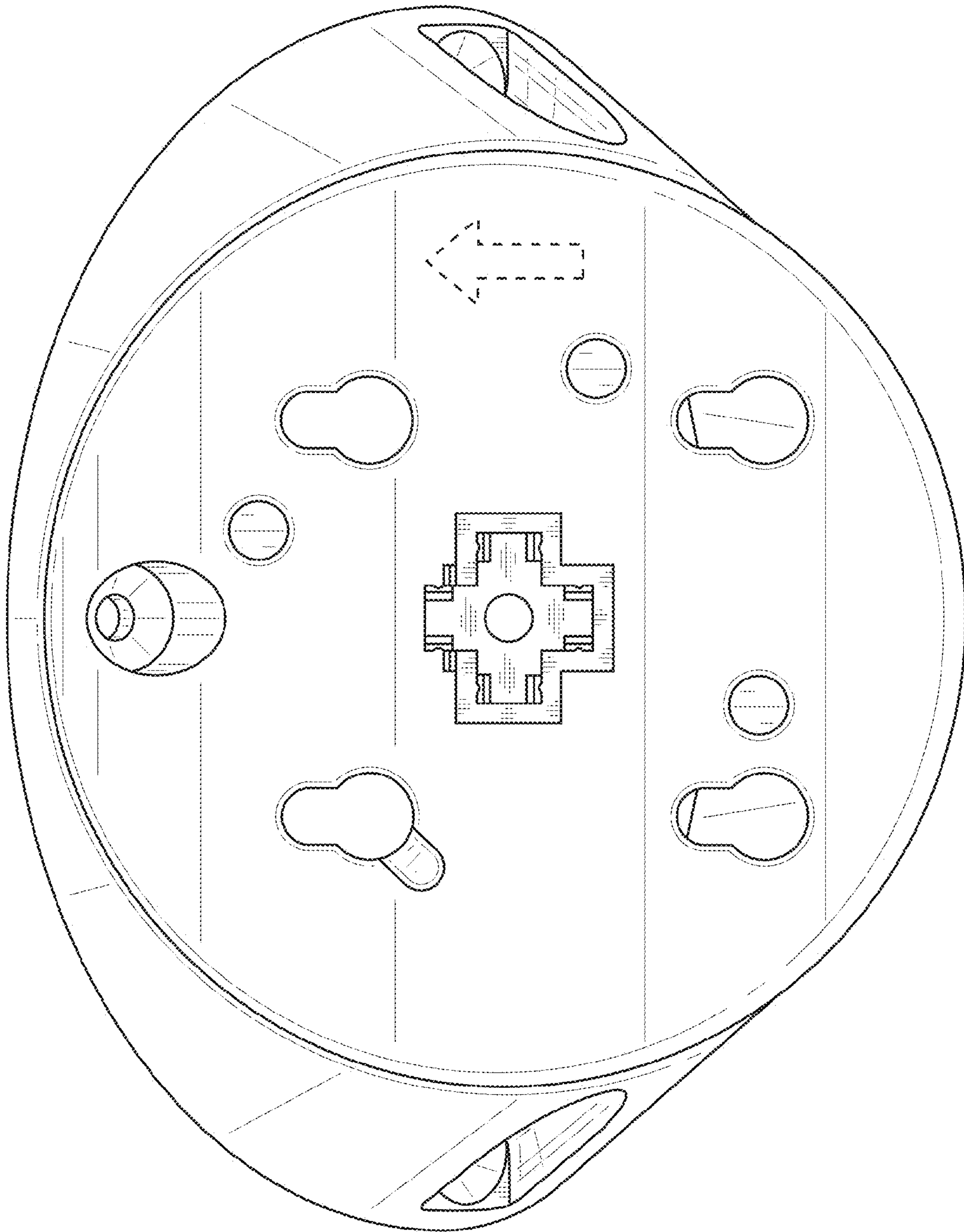


FIG. 2

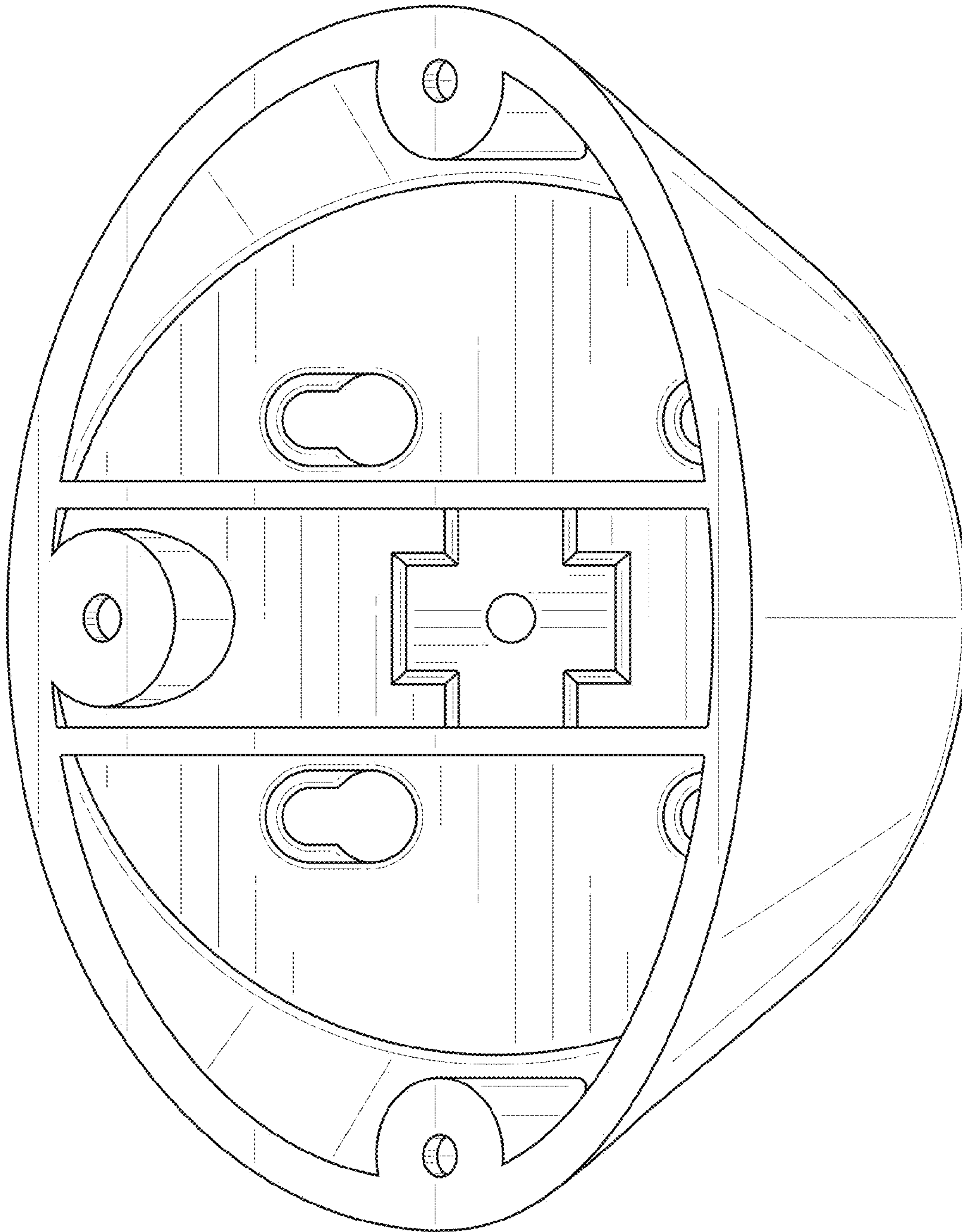


FIG. 3

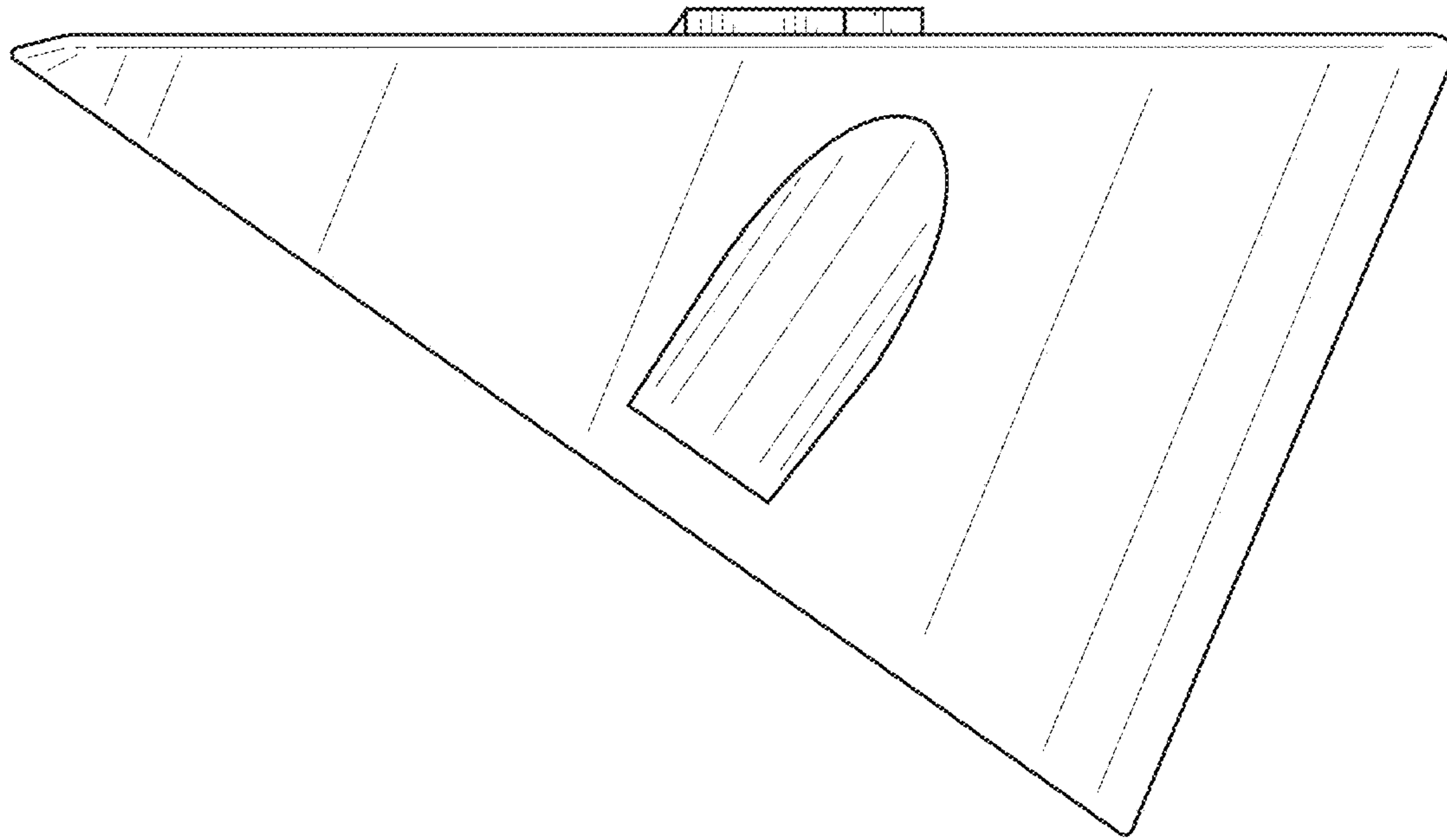


FIG. 4

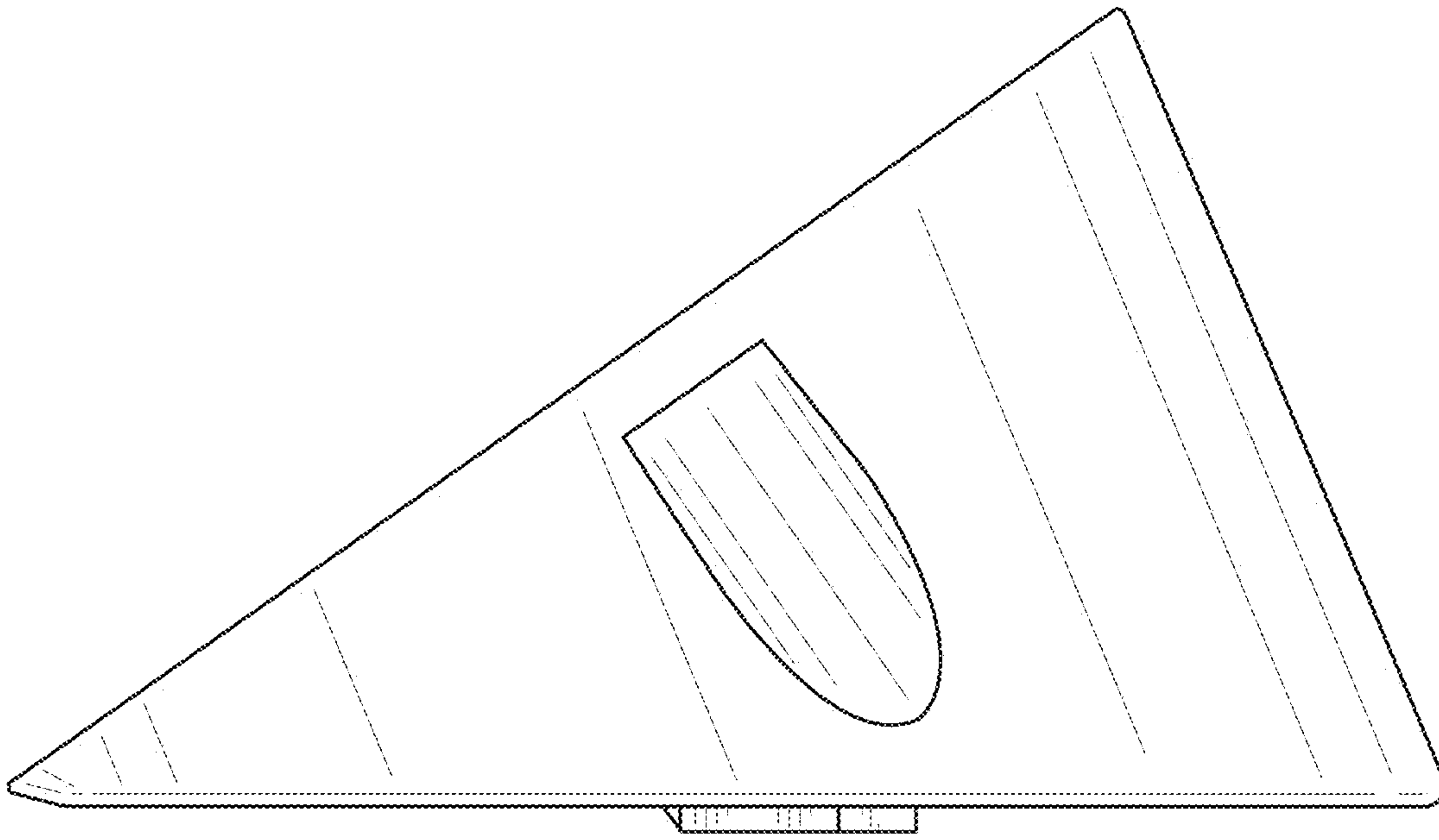


FIG. 5

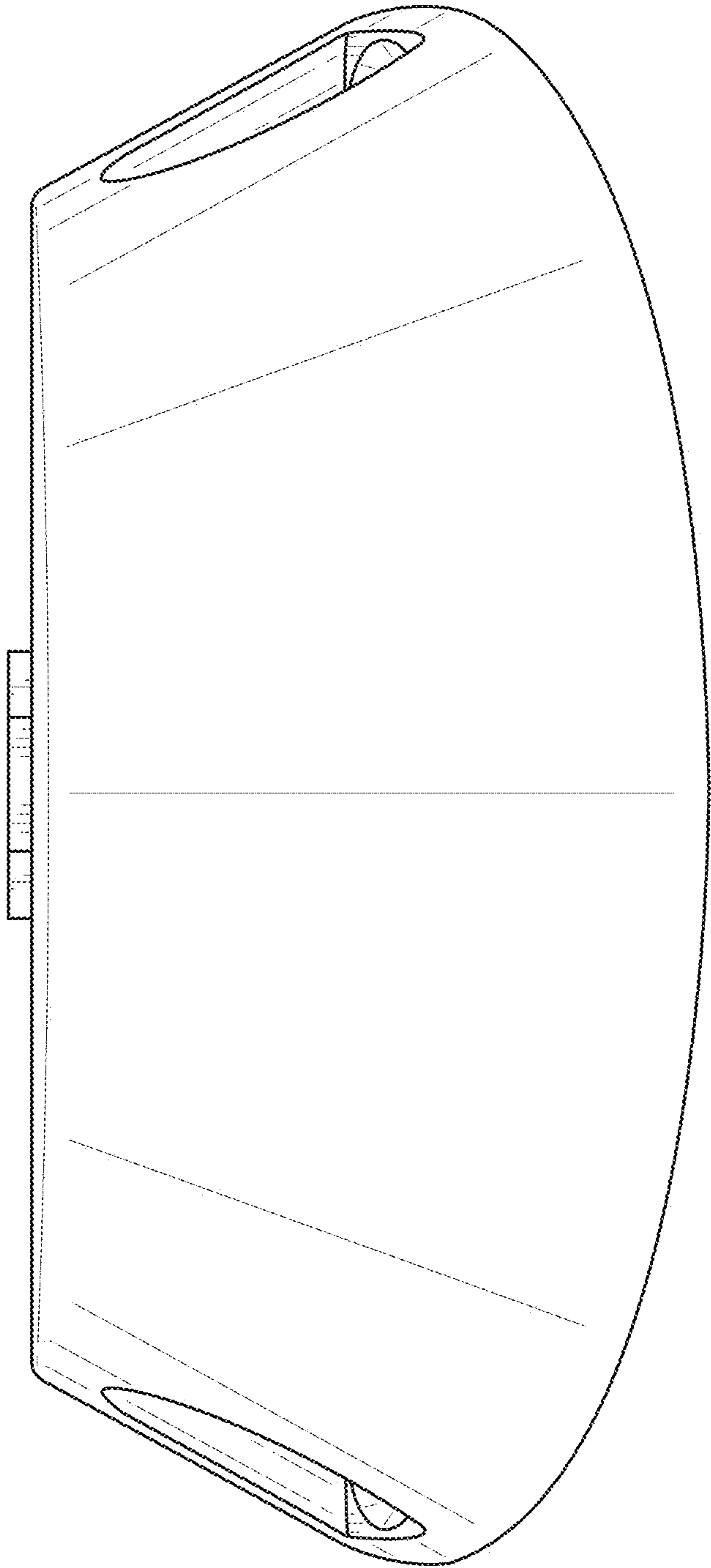


FIG. 6

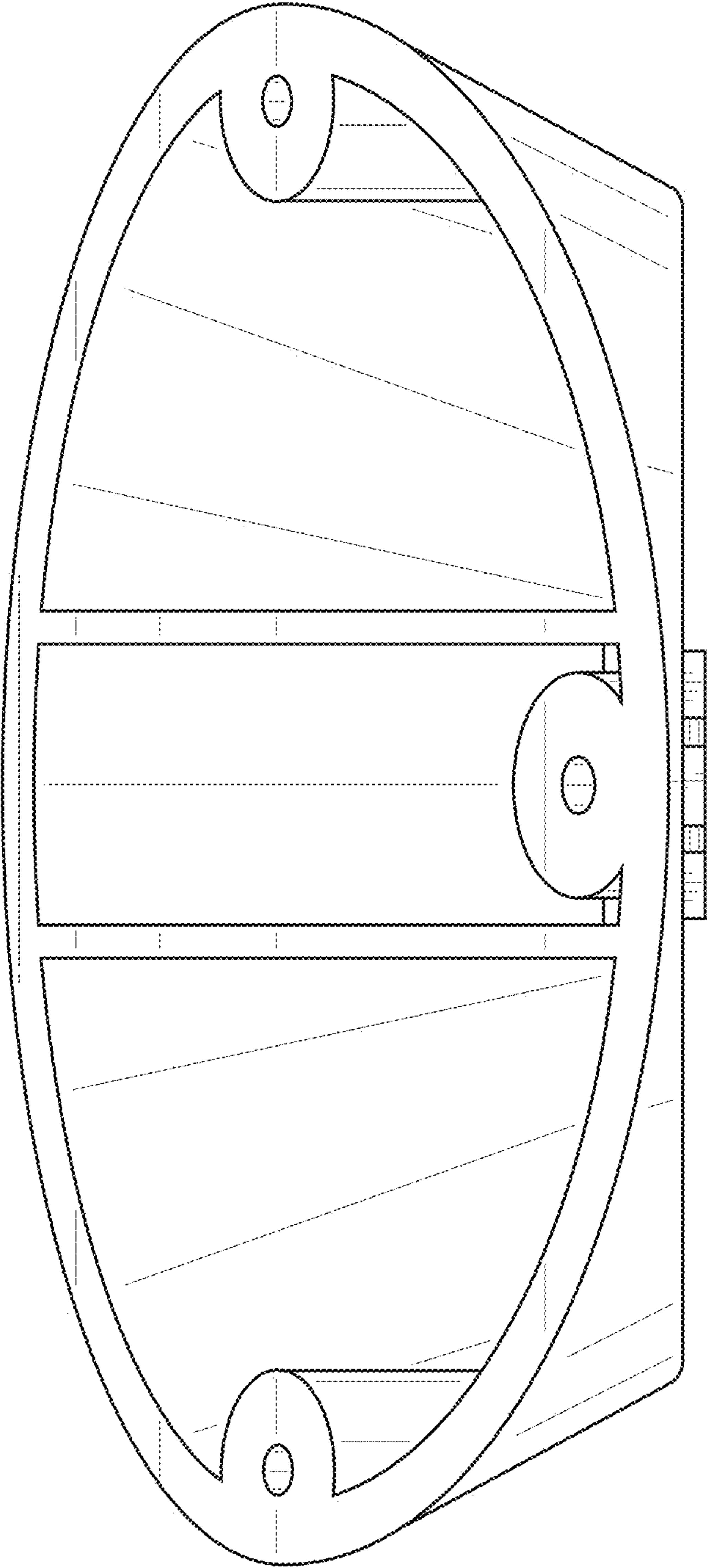


FIG. 7